



BOSCH

Invented for life

Bosch Home Appliances

1.800.944.2904

www.bosch-home.com/us (U.S.)

www.bosch-home.ca (Canada)



The taste and technology of German engineering.

2011 Home Appliances Full Product Line



BOSCH

Invented for life







What's special about German engineering is special about Bosch.

Everyone knows Germans craft brilliant and efficient machines. The question is, Why? At Bosch, it's because we relish a challenge. We prize the ability to overcome technological obstacles in order to produce precise, powerful appliances that perform better, are more intuitive and use fewer resources, while delivering world-class performance. Moreover, we aren't afraid of the exacting work it takes

Performance

We make smart products that anticipate your needs in order to reduce the everyday burdens on your life. Because Germans are punctual, we developed precise, **pre-set timers** that allow you to cook perfect meals with the touch of a button. Because we're obsessed with making the most of your time, we give you **ovens with coordinated, intuitive controls.**

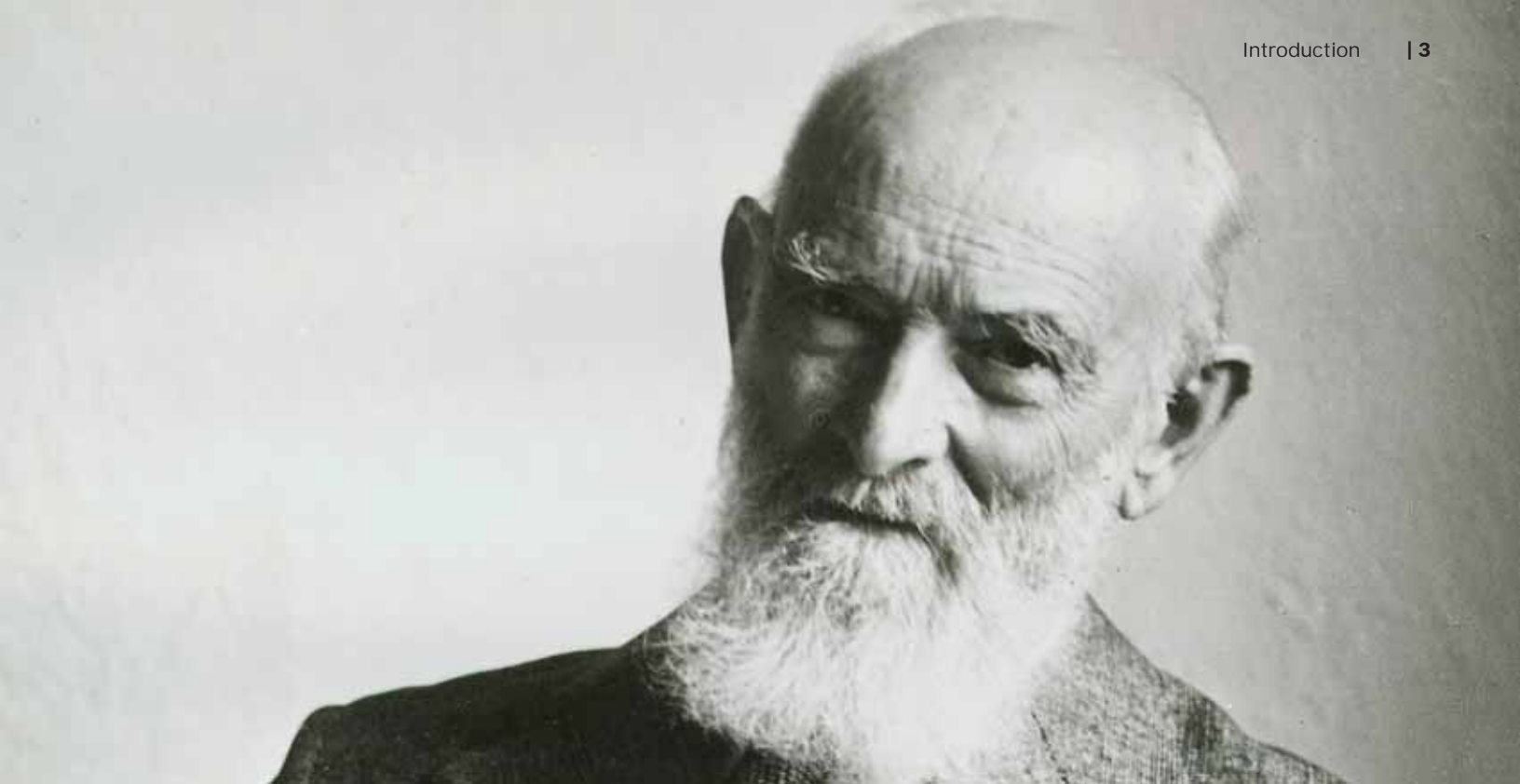
Quality

Bosch appliances are built to amaze and designed to entice, but they are also crafted to do the job extraordinarily well. Because **without quality, innovation is just for show.** By investing in top quality materials we produce components that are collectively built to last. For a German engineer, quality isn't the goal, it's the minimum standard.

Efficiency

At the heart of German engineering lies efficiency. We engineer efficiency in our water-saving dishwashers that **turn two gallons of water into the cleaning power of 1,300.** And in food preservation technology that preserves produce up to two times longer. Bosch is obsessed with innovations to **give you more while you use less.**





to produce elegant, stylish products with the most advanced technology available. Combine that with rigorous technical education, strict German efficiency guidelines and over two hundred days of rain driving us inside for long periods, well, maybe it's not that difficult to understand what drives Germans to engineer the world's best machines.

A **wise economist** once said:

"I'd rather lose money than trust."

A **brilliant thinker** was convinced:

*"Success isn't a matter of perception.
It's a matter of character."*

An **industrialist** believed:

*"All tasks are important,
even the most modest."*

A **philosopher** knew:

*"Where many people come together, cooperation is
a must and each individual depends on the other."*

A **visionary** determined:

*"If you aim for success, you will have to share
responsibilities."*

An **engineer** said:

*"No one should ever be satisfied with what he has
achieved, but always endeavor to get better."*

All these words come from Robert Bosch, and are still being lived by all Bosch employees who carry on his spirit. This spirit is also imbedded in all our Bosch appliances—which help to make your life easier day after day. **IT'S THE BOSCH WAY.**

A Bosch kitchen says taste in every way.

Imagine a kitchen full of thoughtful, ingeniously appointed products that give your kitchen a seamlessly integrated look and provide consistently superior performance.



A Bosch kitchen can be flexible or custom fit. It can be for luxurious dinner parties or busy weeknight dinners. What it will never be, is anything less than tasteful.



Technologies that not only improve our daily life, but our future as well.

For Bosch, green technologies are central to how we innovate and improve the world we live in. Our team of engineers believes that you don't have to waste resources to create technologically superior products. As such, we're committed to making every tomorrow better—it's why we say we're invented for life.

Responsibility

Respect for man and nature has always been the guiding principle of our work at Bosch. This principle is an impetus for us to develop the most efficient home appliances and to produce them in observance of ecological criteria. With full performance for each of us—and full responsibility for all of us.

Efficiency

Backed by groundbreaking technological innovations, we engineer the most economical and efficient home appliances. In our dishwashers and laundry units, we maximize efficiency while delivering superior cleaning performance. SensoTronic® and EcoAction® adjust water temperature and cycle length based on the turbidity of the water. This maximizes the efficiency by using precisely the amount of water and energy needed to get your items clean. By placing touch controls on the outside of your refrigerator you don't have to open it to program the temperature, saving energy. In ways big and small, Bosch builds efficiency into everything we produce. It's what German engineering is all about.

Sustainability

As a leading durable goods company, we are conscious of our responsibility to society and future generations. Our activities are in harmony with our environment. That's why all of our facilities are certified 14001 by the International Organization for Standardization, meaning we adhere to the strictest environmental codes.

Transparency

Our activities are guided by integrity. Honesty and openness characterize our trusting relationship with our customers, employees and suppliers. This also includes a transparent information policy: we provide straightforward, comprehensible information and plain facts as a basis for decision-making.

Green Technology Inside

Look for this logo on Bosch products that feature groundbreaking innovations in sustainability and efficiency.

The technologies we've developed help us achieve top performance while being extraordinarily economical in what is consumed, whether it's energy, resources, or both. And, like all Bosch appliances, they are produced under the strictest quality standards at sustainably built factories.





10

Dishwashers



74

Refrigeration



Table of Contents

28

**Ovens, Microwaves,
and Warming Drawers**


40

Cooktops


52

Ranges


66

Ventilation

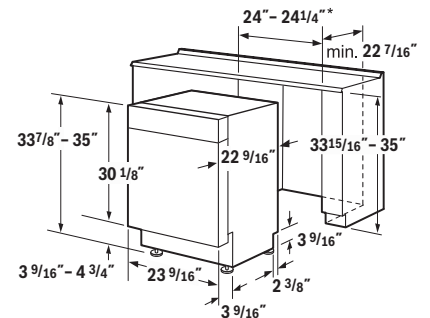

86

Compact Laundry


96

Small Appliances


104

**Technical Details, Dimensions
and Installation**




If you didn't notice it was a Bosch, you'd never know it was there. That's how quiet our dishwashers are. Our machines register as low as 39 dBA – making them the quietest in the U.S. Their performance speaks for itself, scrubbing the grime off the dirtiest plates and leaving glassware translucent and spot-free. Better still, they do all this with impressive efficiency, far surpassing recommended ENERGY STAR® levels in energy and water usage, using fewer resources for stellar results – all at a whisper.

Dishwashers

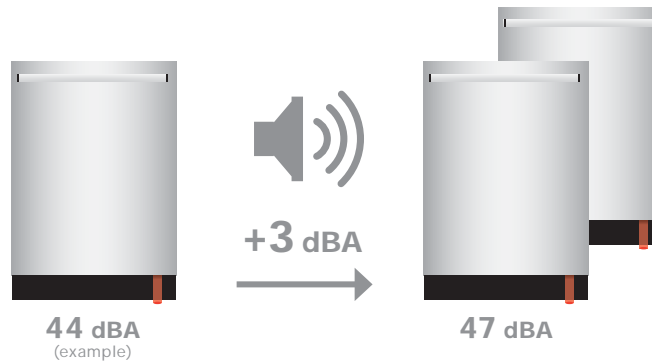


There is a lot to say about something so quiet.

Quietness

You may have heard that Bosch is the quietest brand of dishwashers in the U.S.* and that there is no quieter dishwasher at any Bosch price point. Or maybe you haven't. Maybe you're not hearing anything much at all. That's because with three layers of sound-muffling material and our suspended, two-pump motor system that dramatically reduces vibration and noise, Bosch has created a kind of quiet that screams German engineering.

Noise matters. A three-decibel increase is the auditory equivalent of running two washers at once.



Engineering a quiet response

Quietest brand

Noise is measured in decibels (dBA). A whisper is about 30 dBA, and a normal conversation is about 60 dBA. As the quietest dishwashers in the U.S.,* Bosch has a silence rating as low as 39 dBA, equivalent to that of a library. All Bosch quiet levels are certified by an independent lab.



InfoLight®

Sometimes your dishwasher will be so quiet, you won't know it's on. That's why there's InfoLight, a small red light projected onto the floor to indicate that your dishwasher is still in one of its cycles.



Solid molded base

Solid construction and enhanced insulation reduce vibration and add to overall noise reduction.

Two-pump motor system

By using two small pumps to individually wash and drain instead of a single large one, vibration and noise are dramatically reduced.

Suspension motor

We've suspended our two-pump motor system using rubber hammocks to help absorb and minimize any vibration and noise.

*Based on available sound information on competitors' websites, May 2011.

**Based on standard-size dishwashers, according to ENERGY STAR®.

Efficiency

As the proud winner of the 2011 ENERGY STAR® Sustained Excellence Award, our commitment to efficiency is impressive. Case in point: Bosch can save you more than two gallons of water per load when compared to the industry average.** That's what you get with Bosch and the most efficient dishwasher in the U.S.** And innovations like EcoSense®, which adjusts water and heat usage automatically to reduce energy usage by up to 20% while minimizing water usage, are why Bosch dishwashers use half as much water as the industry average, saving up to 436 gallons a year.

A passion for efficiency

Most water-efficient

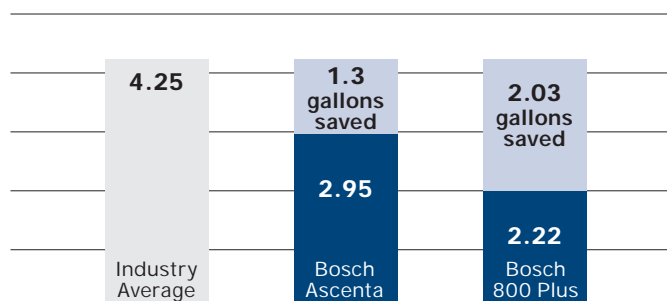
Bosch makes water work better by using less of it, as little as two gallons per cycle. Our dishwashers can save more than two gallons per cycle (Compared to the average dishwasher) without sacrificing cleaning performance. And we have the most water-efficient dishwasher in each class.

Most energy-efficient

The 800 Plus is the most efficient dishwasher in the U.S.** At 180 kilowatt hours per year, the 800 Plus far exceeds federal standard for efficiency. And we have the most energy-efficient dishwasher in each class.

ActiveWater™

Technology that utilizes design, water pressure and efficiency to turn two gallons of water into the cleaning power of more than 1,300.



Bosch water usage vs. industry average usage, in gallons per regular wash cycle (2010, AHAM shipments).

Flow-through water heater

Bosch dishwashers channel 100% of the water through tight coils in a confined heating chamber, which heats the water quickly and efficiently.



Half-load

Use this cycle when washing small, lightly soiled loads that fill half or less of the dishwasher's capacity. The Auto program uses sensor decisions to dramatically reduce energy and water consumption.



Quality

There are many standards of quality. Some rate performance, others design, materials and style, but we don't stop until the product meets the exacting Bosch standard of German-engineered quality. That means using the highest-quality stainless steel along with other solid design materials. All housed in the most innovative machine we can produce. We strive to create dishwashers that meet our collective standards as the #1 dishwasher brand, a leadership that has been confirmed by leading consumer publications.

The artistic side of functionality

German-engineered quality

When we talk about German engineering, we're talking about our commitment to producing the world's best products. We use the smartest thinking to make complex machinery easy to operate while using the highest-quality materials to build them.

Good Housekeeping Seal

For more than 100 years, the Good Housekeeping Seal of Approval has been reassuring consumers that they've made the smart choice. Which is why we're proud that all Bosch dishwashers are backed by the Good Housekeeping Seal of Approval.



Quality testing

100% of our dishwashers are tested at our New Bern, North Carolina, factory, and go through 485 individual quality control tests before being shipped. We test dishwashers through their traditional lifespan, up to 4,000 wash cycles, the equivalent of 10 years' use.

*Certain limitations apply. See manufacturer's limited warranty for details.

Stainless steel tub

Bosch dishwashers' high-quality stainless steel construction retains heat better than plastic tubs, which helps dry dishes faster and more efficiently. They also come with a lifetime warranty against rust-through, because not all stainless steel tubs have the same quality.

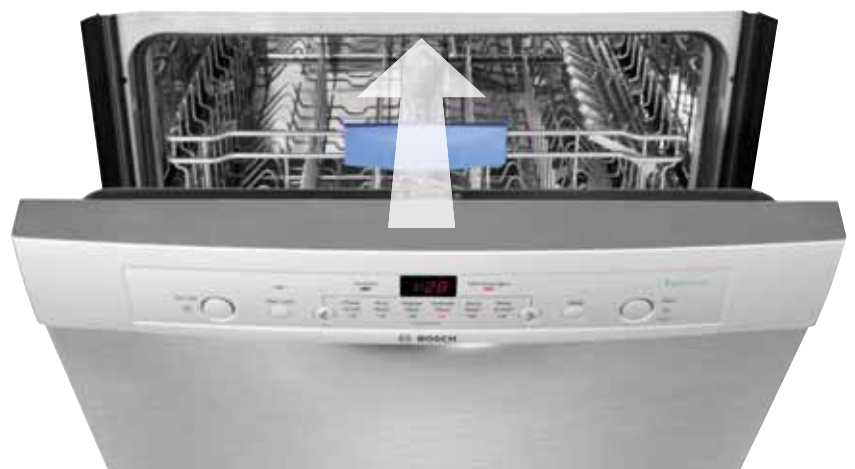
Self-latching door

Keep the door at the position you want it when you open your Ascenta dishwasher or load your dishes. The self-latching door holds at any position, and if your door is open at less than 20°, the door will automatically close and latch shut.



Custom Panel

Pairing a custom cabinet panel with your washer amplifies your kitchen's look by giving it a minimalist, avant-garde feel. Its sleek look disappears into your cabinetry for a quietly flush installation.



Performance

With Bosch, our sophisticated technologies aren't just ultra-efficient, they're ultra-effective at getting dishes clean and spot-free. And it's these technologies that have led to Bosch's standing as the top-rated dishwasher line in the U.S.



Variable spray pressure

Higher and lower spray pressure allows for better load customization and enhanced cleaning performance, based on the cycle that is selected.

Extra-tall item sprinkler

Hand-washing large items becomes a thing of the past, thanks to this handy innovation. Simply remove the top rack and place your serving platters, cookie sheets, hood filters and refrigerator shelves that are up to 22" high in the bottom rack.

ActiveTab® system

Innovatively designed and integrated into the middle of the dishwasher, ActiveTab helps dissolve detergent tablets more efficiently and effectively.

Water softener

The 800 Plus has a water-softening system that softens the water to the optimal level and eliminates spots caused by lime deposits left behind by hard water.

Triple-filtration system

The triple-filtration system uses a three-step process to remove even the finest dirt particles from the washing cycle, for sparkling-clean dishes and glasses every time. And all three filter elements are self-cleaning for worry-free operation.

Auto Wash

By detecting the amount of water and debris that is drained from the dishwasher each cycle, Auto Wash is able to optimize the amount of new water for following cycles, helping to maximize water and energy efficiency while maintaining top performance.



Capacity

Each Bosch dishwasher is designed to maximize space and flexibility, giving you the space you need to organize your dishes and clean them more efficiently.

800 Plus third rack

Unique V-shaped design helps to separate silverware, making it easier to clean, while providing extra room for large, odd-shaped cutlery and small dishes.



(Removable Silverware Rack shown)



Place settings

Bosch designs its racks to accommodate even the largest dinner parties, with most models able to hold up to 14 place settings in one load. And the 800 Plus leads them all with a capacity of up to 15.



Silverware basket

The removable silverware basket can be placed anywhere in the dishwasher, adding space for other items. Plus, the flexible basket can be split into two pieces, placed side-by-side or back-to-back, for the ultimate flexibility in loading.

A family of dishwashers so quiet and efficient, they scream German engineering.

Ascenta Series	Ascenta Series	300 Series	500 Series
50 dBA	50 dBA	48 dBA	46 dBA
279 kWh/yr	279 kWh/yr	259 kWh/yr	259 kWh/yr
2.95 gal/load	2.95 gal/load	2.95 gal/load	2.95 gal/load
3-6-9 hour delay start	Manual adjustment rack	InfoLight®	Remaining time indicator
Sanitize option	3-6-9 hour delay start	Manual adjustment rack	InfoLight®
Long silverware basket	Sanitize option	Sanitize option	RackMatic®
Standard series racks	Long silverware basket	Long silverware basket	19-hour delay start
24/7 overflow protection	300 series racks	300 series racks	Sanitize option
4 cycles, 2 options	24/7 overflow protection	AquaStop®	Duo flexible silverware basket
	6 cycles, 2 options	4 cycles, 1 option	500 series racks
			AquaStop®
			4 cycles, 2 options

Safety

Arguably the safest on earth, Bosch dishwashers are the only ones in the U.S. with AquaStop®, our leak-protection system that automatically detects water in the base, shuts off operation and pumps it out.



AquaStop and AquaStop Plus

Bosch is the only U.S. manufacturer to offer a high-tech leak-protection system in their dishwashers. AquaStop is a precisely engineered tub and sensor system that detects leaks in the solid molded base of the dishwasher, shuts down operation and automatically pumps out water so it cannot make contact with the floor. This eliminates the risk of costly water damage. The AquaStop Plus, available on the 800 Plus Series, includes an electro valve at the water tap and a unique, double-walled hose system for the most comprehensive safety system available.

SaniDry™ condensation drying system

Condensation drying works by heating the dishes with hot water from the final rinse. The closed system does not draw outside air into the dishwasher, which makes it the most sanitary way to dry dishes.

24/7 overflow protection system

Only the Ascenta® 24/7 overflow protection system senses leaks even if the dishwasher is turned off. If water levels get too high, the dishwasher pumps the water out of the tub and closes the water inlet.

No exposed heating element

Our concealed flow-through water heater prevents plastic items on the bottom rack from melting and protects you from accidental burns during unloading.



Sanitize option

By operating at a higher temperature, the sanitize option meets National Sanitation Foundation (NSF) standards of cleanliness, eliminating 99.9% of bacteria, and enhances your drying results as well.

800 Series	800 Plus Series	800 Plus Series	800 Plus Series
 44 dBA 234 kWh/yr 2.9 gal/load	 42 dBA 259 kWh/yr 2.0 gal/load	 40 dBA 180 kWh/yr 2.0 gal/load	 39 dBA 200 kWh/yr 2.0 gal/load
		EcoAction® option	Quietest dishwasher on the market
	Water softener	Water softener	EcoAction® option
	Third rack	Third rack	Water softener
	Express Wash	Express Wash	Third rack
	Remaining time indicator	Remaining time indicator (large display)	Express Wash
	InfoLight®	InfoLight®	Remaining time indicator/full text LCD
	3-step RackMatic®	3-step RackMatic®	InfoLight®
	24-hour delay start	24-hour delay start	3-step RackMatic®
	Sanitize option	Sanitize option	24-hour delay start
	Flexible silverware basket	Flexible silverware basket	Sanitize option
	Vario™ racks	VarioFlex™ racks	Flexible silverware basket
	AquaStop® Plus	AquaStop® Plus	VarioFlex™ Plus racks
	5 cycles, 3 options	6 cycles, 5 options	AquaStop® Plus
			6 cycles, 5 options

Express Wash	Express Wash	Express Wash	Express Wash
Remaining time indicator/LCD	Remaining time indicator	Remaining time indicator (large display)	Remaining time indicator/full text LCD
InfoLight®	InfoLight®	InfoLight®	InfoLight®
RackMatic®	3-step RackMatic®	3-step RackMatic®	3-step RackMatic®
19-hour delay start	24-hour delay start	24-hour delay start	24-hour delay start
Sanitize option	Sanitize option	Sanitize option	Sanitize option
Duo flexible silverware basket	Flexible silverware basket	Flexible silverware basket	Flexible silverware basket
800 series racks	Vario™ racks	VarioFlex™ racks	VarioFlex™ Plus racks
AquaStop®	AquaStop® Plus	AquaStop® Plus	AquaStop® Plus
6 cycles, 3 options	5 cycles, 3 options	6 cycles, 5 options	6 cycles, 5 options

Dishwasher Specifications



	800 Plus Series	800 Plus Series	800 Plus Series
Model Numbers	SHE9ER55UC2 Stainless Steel recessed handle SHX9ER55UC1 Stainless Steel bar handle SHV9ER53UC1 Custom Panel	SHE8ER55UC2 Stainless Steel recessed handle SHX8ER55UC Stainless Steel bar handle	SHE7ER55UC2 Stainless Steel recessed handle SHX7ER55UC Stainless Steel bar handle SHV7ER53UC Custom Panel
Appearance	Stainless Steel Tall Tub Six Wash Cycles and Five Options Real Stainless Steel Fascia Panel Full Text Display	Stainless Steel Tall Tub Six Wash Cycles and Five Options Real Stainless Steel Fascia Panel	Stainless Steel Tall Tub Five Wash Cycles and Three Options Real Stainless Steel Fascia Panel
Quietness	Virtually Silent: 39 dBA Solid Base Contains Sound & Prevents Leaks InfoLight® Cycle Indicator LED Quietest Dishwasher in the U.S.	Virtually Silent: 40 dBA Solid Base Contains Sound & Prevents Leaks InfoLight® Cycle Indicator LED	Virtually Silent: 42 dBA Solid Base Contains Sound & Prevents Leaks InfoLight® Cycle Indicator LED
Efficiency	Saves 436 gallons of water each year 200 kWh/yr—ENERGY STAR® Qualified Exceeds ENERGY STAR® Requirements by 125% for Water EcoSense® Reduces Energy Usage up to 20% Half-load Option for Small Loads	Saves 436 gallons of water each year 180 kWh/yr—ENERGY STAR® Qualified Exceeds ENERGY STAR® Requirements by 125% for Water EcoSense® Reduces Energy Usage up to 20% Half-load Option for Small Loads Most Efficient Dishwasher in the U.S.	Saves 436 gallons of water each year 259 kWh/yr—ENERGY STAR® Qualified Exceeds ENERGY STAR® Requirements by 125% for Water EcoSense® Reduces Energy Usage up to 20% Half-load Option for Small Loads
Safety	AquaStop® Plus Four-part 24/7 Leak Protection Sanitize Option Removes Bacteria & Enhances Drying	AquaStop® Plus Four-part 24/7 Leak Protection Sanitize Option Removes Bacteria & Enhances Drying	AquaStop® Plus Four-part 24/7 Leak Protection Sanitize Option Removes Bacteria & Enhances Drying
Capacity	15 Place Setting Capacity VarioFlex™ Plus Racks with Flexible Silverware Basket RackMatic® Plus Allows Three Loading Levels Extra Tall Item Sprinkler Cleans Items 22" Tall Third Rack for Additional Loading Capacity	15 Place Setting Capacity VarioFlex™ Racks with Flexible Silverware Basket RackMatic® Plus Allows Three Loading Levels Extra Tall Item Sprinkler Cleans Items 22" Tall Third Rack for Additional Loading Capacity	15 Place Setting Capacity Vario™ Racks with Flexible Silverware Basket RackMatic® Plus Allows Three Loading Levels Extra Tall Item Sprinkler Cleans Items 22" Tall Third Rack for Additional Loading Capacity
Convenience	Multi-Function LED with Remaining Time 24 Hour Delay Start Timer Express Wash—In 30 Minutes or Less AutoDelicate for Fine China Glass Care Cycle for Fine Glassware	Multi-Function LED with Remaining Time 24 Hour Delay Start Timer Express Wash—In 30 Minutes or Less Delicate for Fine China Glass Care Cycle for Fine Glassware	Multi-Function LED with Remaining Time 24 Hour Delay Start Timer Express Wash—In 30 Minutes or Less Delicate for Fine China
Performance	Variable Spray Pressure ActiveTab® Tray Optimizes Detergent Dissolving Water Softener Ensures Perfect Cleaning Load Size Sensor Automates Wash Cycle	Variable Spray Pressure ActiveTab® Tray Optimizes Detergent Dissolving Water Softener Ensures Perfect Cleaning	Variable Spray Pressure ActiveTab® Tray Optimizes Detergent Dissolving Water Softener Ensures Perfect Cleaning
Accessories	SGZ1010UC Supply Drainage Hose Extension SMZ5000 800 Plus Four-part Accessory Kit SMZ5002 800 Plus Anti-Tarnish Silverware Cassette SGZ9091UC Dishwasher Water Soft. Salt	SGZ1010UC Supply Drainage Hose Extension SMZ5000 800 Plus Four-part Accessory Kit SMZ5002 800 Plus Anti-Tarnish Silverware Cassette SGZ9091UC Dishwasher Water Soft. Salt	SGZ1010UC Supply Drainage Hose Extension SMZ5000 800 Plus Four-part Accessory Kit SMZ5002 800 Plus Anti-Tarnish Silverware Cassette SGZ9091UC Dishwasher Water Soft. Salt

1 Does not include Full Text Display feature. 2 Does not include InfoLight® feature. 3 Does not include Real Stainless Steel Fascia Panel feature.

Rated #2



Bar handle



Recessed handle



Bar handle

800 Series		800 Series	
SHX98M09UC	Stainless Steel bar handle	SHE68R55UC3	Stainless Steel recessed handle
		SHE68R52UC3	White recessed handle
		SHE68R56UC3	Black recessed handle
		SHX68R55UC	Stainless Steel bar handle
		SHX68R52UC	White bar handle
		SHX68R56UC	Black bar handle
		SHV68R53UC	Custom Panel
Stainless Steel Tall Tub		Stainless Steel Tall Tub	
Nine Wash Cycles and Two Options		Six Wash Cycles and Three Options	
		Real Stainless Steel Fascia Panel	
Full Text Display		LCD Display	
Virtually Silent: 42 dBA		Virtually Silent: 44 dBA	
Solid Base Contains Sound & Prevents Leaks		Solid Base Contains Sound & Prevents Leaks	
		InfoLight® Cycle Indicator LED	
Saves 290 gallons of water each year		Saves 290 gallons of water each year	
190 kWh/yr—ENERGY STAR® Qualified		234 kWh/yr—ENERGY STAR® Qualified	
Exceeds ENERGY STAR® Requirements by 72% for Water		Exceeds ENERGY STAR® Requirements by 72% for Water	
EcoSense® Reduces Energy Usage up to 20%		EcoSense® Reduces Energy Usage up to 20%	
		Half-load Option for Small Loads	
AquaStop® Leak Protection		AquaStop® Leak Protection	
NSF-certified—Eliminates 99.9% of Bacteria		NSF-certified—Eliminates 99.9% of Bacteria	
Sanitize Option Removes Bacteria & Enhances Drying		Sanitize Option Removes Bacteria & Enhances Drying	
14 Place Setting Capacity		14 Place Setting Capacity	
800 Series Racks with Flexible Silverware Basket		800 Series Racks with Duo-Flex Silverware Basket	
RackMatic® Automatically Adjustable Upper Rack		RackMatic® Automatically Adjustable Upper Rack	
Extra Tall Item Sprinkler Cleans Items 22" Tall		Extra Tall Item Sprinkler Cleans Items 22" Tall	
Multi-Function LED with Remaining Time		Multi-Function LED with Remaining Time	
24 Hour Delay Start Timer		19 Hour Delay Start Timer	
Express Wash—In 30 Minutes or Less		Express Wash—In 30 Minutes or Less	
AutoDelicate for Fine China		Delicate for Fine China	
Glass Care Cycle for Fine Glassware			
Variable Spray Pressure		Variable Spray Pressure	
Load Size Sensor Automates Wash Cycle			
SGZ1010UC	Supply Drainage Hose Extension	SGZ1010UC	Supply Drainage Hose Extension
SGZ1052UC	Four-part Accessory Kit	SGZ1052UC	Four-part Accessory Kit
SGZPC001UC	Power Cord w/Connectors	SGZPC001UC	Power Cord w/Connectors
SMZ5002UC	Anti-Tarnish Silverware Cassette	SMZ5002UC	Anti-Tarnish Silverware Cassette

Colors

Recessed Handle



Stainless Steel
(SHE43P25UC
Model Shown)



Black
(SHE43P26UC
Model Shown)



White
(SHE43P22UC
Model Shown)



Dishwasher Specifications



	500 Series	500 Series	500 Series
Model Numbers	SHX55RL5UC Stainless Steel bar handle	SHE55R55UC3 Stainless Steel recessed handle SHE55R52UC3 White recessed handle SHE55R56UC3 Black recessed handle SHX55R55UC Stainless Steel bar handle SHX55R52UC White bar handle SHX55R56UC Black bar handle SHV55R53UC Custom Panel	SHE55M15UC Stainless Steel recessed handle SHE55M12UC White recessed handle SHE55M16UC Black recessed handle
Appearance	Stainless Steel Tall Tub Four Wash Cycles and Two Options Real Stainless Steel Fascia Panel	Stainless Steel Tall Tub Four Wash Cycles and Two Options Real Stainless Steel Fascia Panel	Stainless Steel Tall Tub Five Wash Cycles and Three Options
Quietness	Virtually Silent: 46 dBA Solid Base Contains Sound & Prevents Leaks InfoLight® Cycle Indicator LED	Virtually Silent: 46 dBA Solid Base Contains Sound & Prevents Leaks InfoLight® Cycle Indicator LED	Virtually Silent: 47 dBA Solid Base Contains Sound & Prevents Leaks
Efficiency	Saves 280 gallons of water each year 259 kWh/yr—ENERGY STAR® Qualified Exceeds ENERGY STAR® Requirements by 69% for Water EcoSense® Reduces Energy Usage up to 20% Half-load Cycle for Small Loads	Saves 280 gallons of water each year 259 kWh/yr—ENERGY STAR® Qualified Exceeds ENERGY STAR® Requirements by 69% for Water EcoSense® Reduces Energy Usage up to 20% Half-load Cycle for Small Loads	Saves 280 gallons of water each year 259 kWh/yr—ENERGY STAR® Qualified Exceeds ENERGY STAR® Requirements by 69% for Water EcoSense® Reduces Energy Usage up to 20% Half-load Option for Small Loads
Safety	AquaStop® Leak Protection NSF-certified—Eliminates 99.9% of Bacteria Sanitize Option Removes Bacteria & Enhances Drying	AquaStop® Leak Protection NSF-certified—Eliminates 99.9% of Bacteria Sanitize Option Removes Bacteria & Enhances Drying	AquaStop® Leak Protection NSF-certified—Eliminates 99.9% of Bacteria
Capacity	14 Place Setting Capacity 800 Series Upper and 500 Series Lower Racks with Duo-Flex Silverware Basket RackMatic® Automatically Adjustable Upper Rack Extra Tall Item Sprinkler Cleans Items 22" Tall	14 Place Setting Capacity 500 Series Racks with Duo-Flex Silverware Basket RackMatic® Automatically Adjustable Upper Rack Extra Tall Item Sprinkler Cleans Items 22" Tall	14 Place Setting Capacity 800 Series Racks with Duo-Flex Silverware Basket RackMatic® Automatically Adjustable Upper Rack Extra Tall Item Sprinkler Cleans Items 22" Tall
Convenience	Multi-Function LED with Remaining Time 19 Hour Delay Start Timer	Multi-Function LED with Remaining Time 19 Hour Delay Start Timer	Multi-Function LED with Remaining Time 19 Hour Delay Start Timer Quick Wash—In 30 Minutes or Less
Performance			
Accessories	SGZ1010UC Supply Drainage Hose Extension SGZ1052UC Four-part Accessory Kit SGZPC001UC Power Cord w/Connectors SMZ5002UC Anti-Tarnish Silverware Cassette	SGZ1010UC Supply Drainage Hose Extension SGZ1052UC Four-part Accessory Kit SGZPC001UC Power Cord w/Connectors SMZ5002UC Anti-Tarnish Silverware Cassette	SGZ1010UC Supply Drainage Hose Extension SGZ1052UC Four-part Accessory Kit SGZPC001UC Power Cord w/Connectors SMZ5002UC Anti-Tarnish Silverware Cassette

3 Does not include Real Stainless Steel Fascia Panel feature.



Colors

Bar Handle



Stainless Steel
(SHX43R55UC Model Shown)



Black
(SHX43R56UC Model Shown)



White
(SHX43R52UC Model Shown)



Fully Integrated
(SHV43R53UC Model Shown)

300 Series			300 Series			300 Series		
SHE43P25UC	Stainless Steel	recessed handle	SHE43RL5UC	Stainless Steel	recessed handle	SHE43R55UC	Stainless Steel	recessed handle
SHE43P22UC	White	recessed handle	SHE43RL2UC	White	recessed handle	SHE43R52UC	White	recessed handle
SHE43P26UC	Black	recessed handle	SHE43RL6UC	Black	recessed handle	SHE43R56UC	Black	recessed handle
						SHX43R55UC	Stainless Steel	bar handle
						SHX43R52UC	White	bar handle
						SHX43R56UC	Black	bar handle
						SHV43R53UC	Custom Panel	
Stainless Steel Tall Tub			Stainless Steel Tall Tub			Stainless Steel Tall Tub		
Four Wash Cycles and Two Options			Four Wash Cycles and Two Options			Four Wash Cycles and One Option		
Virtually Silent: 52 dBA			Virtually Silent: 48 dBA			Virtually Silent: 48 dBA		
Solid Base Contains Sound & Prevents Leaks			Solid Base Contains Sound & Prevents Leaks			Solid Base Contains Sound & Prevents Leaks		
			InfoLight® Cycle Indicator LED			InfoLight® Cycle Indicator LED		
Saves 280 gallons of water each year			Saves 280 gallons of water each year			Saves 280 gallons of water each year		
259 kWh/yr—ENERGY STAR® Qualified			259 kWh/yr—ENERGY STAR® Qualified			259 kWh/yr—ENERGY STAR® Qualified		
Exceeds ENERGY STAR® Requirements by 69% for Water			Exceeds ENERGY STAR® Requirements by 69% for Water			Exceeds ENERGY STAR® Requirements by 69% for Water		
EcoSense® Reduces Energy Usage up to 20%			EcoSense® Reduces Energy Usage up to 20%			EcoSense® Reduces Energy Usage up to 20%		
Half-load Option for Small Loads			Half-load Cycle for Small Loads			Half-load Cycle for Small Loads		
AquaStop® Leak Protection			AquaStop® Leak Protection			AquaStop® Leak Protection		
NSF-certified—Eliminates 99.9% of Bacteria			NSF-certified—Eliminates 99.9% of Bacteria			NSF-certified—Eliminates 99.9% of Bacteria		
			Sanitize Option Removes Bacteria & Enhances Drying			Sanitize Option Removes Bacteria & Enhances Drying		
14 Place Setting Capacity			14 Place Setting Capacity			14 Place Setting Capacity		
500 Series Upper Rack and Standard Lower Rack with Long Silverware Basket			500 Series Upper Rack and 300 Series Lower Rack with Long Silverware Basket			300 Series Racks with Long Silverware Basket		
RackMatic® Automatically Adjustable Upper Rack			RackMatic® Automatically Adjustable Upper Rack			Manual Height Adjustment Upper Rack		
Multi-Function LED with Remaining Time			Multi-Function LED with Remaining Time					
19 Hour Delay Start Timer			19 Hour Delay Start Timer					
Express Wash—In 30 Minutes or Less								
SGZ1010UC	Supply Drainage Hose Extension		SGZ1010UC	Supply Drainage Hose Extension		SGZ1010UC	Supply Drainage Hose Extension	
SGZ1052UC	Four-part Accessory Kit		SGZ1052UC	Four-part Accessory Kit		SGZ1052UC	Four-part Accessory Kit	
SGZPC001UC	Power Cord w/Connectors		SGZPC001UC	Power Cord w/Connectors		SGZPC001UC	Power Cord w/Connectors	
SMZ5002UC	Anti-Tarnish Silverware Cassette		SMZ5002UC	Anti-Tarnish Silverware Cassette		SMZ5002UC	Anti-Tarnish Silverware Cassette	



Dishwasher Specifications



	300 Series	Ascenta	Ascenta
Model Numbers	SHX33RL5UC Stainless Steel bar handle	SHE3AR75UC Stainless Steel recessed handle SHE3AR72UC White recessed handle SHE3AR76UC Black recessed handle SHX3AR75UC4 Stainless Steel bar handle SHX3AR72UC4 White bar handle SHX3AR76UC4 Black bar handle	SHE3ARL5UC Stainless Steel recessed handle SHE3ARL2UC White recessed handle SHE3ARL6UC Black recessed handle
Appearance	Stainless Steel Tall Tub Four Wash Cycles and One Option	Stainless Steel Tall Tub w/PP* Six Wash Cycles and Two Options	Stainless Steel Tall Tub w/PP* Five Wash Cycles and Two Options
Quietness	Virtually Silent: 50 dBA Solid Base Contains Sound & Prevents Leaks	Virtually Silent: 50 dBA	Virtually Silent: 50 dBA
Efficiency	Saves 280 gallons of water each year 259 kWh/yr—ENERGY STAR® Qualified Exceeds ENERGY STAR® Requirements by 69% for Water EcoSense® Reduces Energy Usage up to 20%	Saves 280 gallons of water each year 279 kWh/yr—ENERGY STAR® Qualified Exceeds ENERGY STAR® Requirements by 69% for Water EcoSense® Reduces Energy Usage up to 20% Half-load Cycle for Small Loads	Saves 280 gallons of water each year 279 kWh/yr—ENERGY STAR® Qualified Exceeds ENERGY STAR® Requirements by 69% for Water EcoSense® Reduces Energy Usage up to 20% Half-load Cycle for Small Loads
Safety	AquaStop® Leak Protection NSF-certified—Eliminates 99.9% of Bacteria Sanitize Option Removes Bacteria & Enhances Drying	Bosch Exclusive 24/7 Overflow Leak Protection NSF-certified—Eliminates 99.9% of Bacteria Sanitize Option Removes Bacteria & Enhances Drying	Bosch Exclusive 24/7 Overflow Leak Protection NSF-certified—Eliminates 99.9% of Bacteria Sanitize Option Removes Bacteria & Enhances Drying
Capacity	14 Place Setting Capacity 500 Series Upper Rack and Standard Lower Rack with Long Silverware Basket RackMatic® Automatically Adjustable Upper Rack	14 Place Setting Capacity 300 Series Racks with Long Silverware Basket Manual Height Adjustment Upper Rack	14 Place Setting Capacity Standard Racks with Long Silverware Basket
Convenience		Multi-Function LED with Remaining Time Three-, Six-, Nine-hour Delay Start Timer Express Wash—In 30 Minutes or Less Self-latching Door Stays Put and Latches Delicate for Fine China	Three-, Six-, Nine-hour Delay Start Timer Express Wash—In 30 Minutes or Less Self-latching Door Stays Put and Latches
Performance		Variable Spray Pressure	Variable Spray Pressure
Accessories	SGZ1010UC Supply Drainage Hose Extension SGZ1052UC Four-part Accessory Kit SGZPC001UC Power Cord w/Connectors SMZ5002UC Anti-Tarnish Silverware Cassette	SGZ1010UC Supply Drainage Hose Extension SGZ1052UC Four-part Accessory Kit SGZPC001UC Power Cord w/Connectors SMZ5002UC Anti-Tarnish Silverware Cassette	SGZ1010UC Supply Drainage Hose Extension SGZ1052UC Four-part Accessory Kit SGZPC001UC Power Cord w/Connectors SMZ5002UC Anti-Tarnish Silverware Cassette

*Polypropylene 4 Does not include Multi-function LED with Remaining Time.



Recessed handle



Bar handle

Ascenta

SHE3AR55UC	Stainless Steel	recessed handle
SHE3AR52UC	White	recessed handle
SHE3AR56UC	Black	recessed handle
SHX3AR55UC	Stainless Steel	bar handle
SHX3AR52UC	White	bar handle
SHX3AR56UC	Black	bar handle

Stainless Steel Tall Tub w/PP*

Four Wash Cycles and Two Options

Virtually Silent: 50 dBA

Saves 280 gallons of water each year

279 kWh/yr—ENERGY STAR® Qualified

Exceeds ENERGY STAR® Requirements by 69% for Water

EcoSense® Reduces Energy Usage up to 20%

Half-load Cycle for Small Loads

Bosch Exclusive 24/7 Overflow Leak Protection

NSF-certified—Eliminates 99.9% of Bacteria

Sanitize Option Removes Bacteria & Enhances Drying

14 Place Setting Capacity

Standard Racks with Long Silverware Basket

Three-, Six-, Nine-hour Delay Start Timer

Self-latching Door Stays Put and Latches

Variable Spray Pressure

SGZ1010UC Supply Drainage Hose Extension

SGZ1052UC Four-part Accessory Kit

SGZPC001UC Power Cord w/Connectors

SMZ5002UC Anti-Tarnish Silverware Cassette



Special Application Dishwasher Specifications



Recessed handle



Bar handle

	18" Series ADA Compliant Special App.	24" Series ADA Compliant Special App.
Model Numbers	SRX53C15UC Stainless Steel bar handle SRV53C13UC Custom Panel	SGE63E15UC Stainless Steel recessed handle SGE63E06UC Black recessed handle
Appearance	Stainless Steel Euro Tub (shorter height) Five Wash Cycles and Two Options ADA Compliant for Lower Countertop Installation	Stainless Steel Euro Tub (shorter height) Six Wash Cycles and Five Options ADA Compliant for Lower Countertop Installation
Quietness	Virtually Silent: 49 dBA Solid Base Contains Sound & Prevents Leaks	Virtually Silent: 49 dBA Solid Base Contains Sound & Prevents Leaks
Efficiency	Saves 273 gallons of water each year 306 kWh/yr EcoSense® Reduces Energy Usage up to 20% Half-load Option for Small Loads	Saves 484 gallons of water each year 234 kWh/yr—ENERGY STAR® Qualified Exceeds ENERGY STAR® Requirements by 150% for Water EcoSense® Reduces Energy Usage up to 20% Half-load Option for Small Loads
Safety	AquaStop® Plus Four-part 24/7 Leak Protection	AquaStop® Plus Four-part 24/7 Leak Protection Sanitize Option Removes Bacteria & Enhances Drying
Capacity	9 Place Setting Capacity Premium Racks with Single-Flexible Silverware Basket RackMatic® Automatically Adjustable Upper Rack Extra Tall Item Sprinkler Cleans Items 22" Tall	14 Place Setting Capacity Vario™ Racks with Flexible Silverware Basket Manual Height Adjustment Upper Rack
Convenience	Multi-Function LED with Remaining Time 19 Hour Delay Start Timer Quick Wash—In 30 Minutes or Less	Multi-Function LED with Remaining Time 24 Hour Delay Start Timer Quick Wash—In 30 Minutes or Less
Performance		Variable Spray Pressure ActiveTab® Tray Optimizes Detergent Dissolving Water Softener Ensures Perfect Cleaning
Accessories	SGZ1010UC Supply Drainage Hose Extension SMZ5000 Four-part Accessory Kit SGZPC001UC Power Cord w/Connectors SMZ5002UC Anti-Tarnish Silverware Cassette	SGZ1010UC Supply Drainage Hose Extension SMZ5000 Four-part Accessory Kit SMZ5002UC Anti-Tarnish Silverware Cassette SGZ9091UC Dishwasher Water Softener Salt

Colors



Stainless Steel
(SRX53C15UC Model Shown)



Custom Panel
(SRV53C13UC Model Shown)



Stainless Steel
(SGE63E05UC Model Shown)



Black
(SGE63E06UC Model Shown)

Dishwasher Accessories

Accessory Description	Accessory Model No.	Dishwasher Model Numbers
Stainless Steel Door with Polished and Round Tubular Stainless Steel Handle	SGZ1005UC	SHV68R, SHV55R and SHV43R Only
Stainless Steel Door with Flat and Matte Stainless Steel Handle	SGZ1006UC	SHV68R, SHV55R and SHV43R Only
Flat and Matte Stainless Steel Handle	SGZ1007UC	SHV68R, SHV55R and SHV43R Only
Accessory Hinge Kit for US Counter Height Installation	SGZ3022	SRV53C Only
18" Stainless Steel Door with Flat and Matte Stainless Steel Handle	SRZ2045UC	SRV53C Only
Dishwasher Accessory Kit	SMZ5000	800 Plus and SGE63E Only
Dishwasher Accessory Kit	SGZ1052UC	300, 500, 800 and Ascenta® Only
Anti-Tarnish Silverware Cassette	SMZ5002UC	300, 500, 800 and Ascenta® Only
Anti-Tarnish Silverware Cassette	SMZ5002	800 Plus and SGE63E Only
Long Flexible Silverware Basket	SMZ4000UC	300, 500, 800 and Ascenta® only
Dishwasher Supply and Drainage Hose Extension	SGZ1010UC	All Models
Dishwasher Power Cord with Connectors	SGZPC001UC	300, 500, 800 and Ascenta® only
Dishwasher Softener Salt	SGZ9091UC	800 Plus and SGE63E only
500 Series Upper Rack Replacement	SMZ4037UC	300, 500, 800 Purchased Before Aug. 09
500 Series Lower Rack Replacement	SMZ4038UC	300, 500, 800 Purchased Before Aug. 09



Stainless Steel Door
This high-quality stainless steel door provides an attractive and contemporary finish.



Anti-Tarnish Silverware Cassette
This specially designed cassette provides the best wash results and protection for your fine silverware.



Dishwasher Accessory Kit
This all-in-one bundle includes the extra tall item sprinkler, vase/bottle holder, three plastic item clips and a small item basket.



SGZ1005UC (Optional door with polished and round handle)



SGZ1006UC (Optional door with flat and matte handle)





Cooking that's so hot, it's cool. Taste meets innovation throughout the Bosch line-up of cooking appliances. From convection ovens that better circulate heat to cook food more evenly in up to 30% less time, to efficient induction cooktops that offer sleek, precise cooking performance, Bosch brings tasty technology to the kitchen. Add the stylish gas cooktops and the innovative microwaves as well as the ultra-convenient warming drawers and discover how we deliver a variety of deliciously smart ways to cook.

Cooking

Ovens | Microwaves | Warming Drawers | Cooktops | Ranges | Ventilation



Ovens Microwaves Warming Drawers



Bosch is more than hot.

It's thoughtful. And productive. And innovative. Bosch engineers its ovens, microwaves and warming drawers to the same strict standards of performance and design as it does everything else.



Ovens

With the largest capacity in its class, efficient convection capabilities and the fastest preheat settings available, it's no wonder that Bosch ovens are a top choice for European chefs. Discover for yourself how Bosch innovation, style and efficiency make a delicious addition to your kitchen.

Microwaves

For a seamless, stylish display, we have developed a trim kit that allows you to integrate your microwave into any cabinetry. This way, you can extend your appliances' flush, built-in look to your microwave.

- Convection technology for even cooking
- Stainless steel cavity available
- Easy programming for perfect meals

Warming Drawers

Convenient. Functional. Stylish. Bosch offers a warming drawer with four settings for prewarming dishes, heating rolls or keeping food hot for late arrivals.

Model shown left: HBL5450UC

Model shown below: HMB8050*

Model shown above: HWD3050UC



*Built-in microwave shown with 30" Stainless Steel Trim Kit (HMT8050). Microwave and trim kit sold separately.

If our ovens made dinner any more convenient, you'd have to tip them 20%.

We developed a taste for innovation. Even if we tried to find room for compromise, we couldn't. Otherwise, it wouldn't be Bosch. So it wouldn't offer the #1 capacity oven on the market. Genuine European Convection. Or our EcoClean® Self-Clean cycle. And it certainly wouldn't meet our 100% quality testing before leaving the factory.

OVENS

Performance



#1 in capacity

At 4.7 cubic feet, our oven is the largest on the market.

An expansive viewing window and bright halogen lighting system make monitoring the progress of your meal easier than ever.

Recessed heating element

A recessed top heating element and a fully concealed bottom heating element allow unprecedented safety when removing dishes and extremely easy cleaning.



Genuine European Convection with ACS

Our Advanced Circulation

System (ACS) allows food to be cooked more evenly in up to 30% less time by optimizing heat circulation. And a powerful 2,000-watt third heating element that surrounds the convection fan, circulating preheated air throughout the oven.



Fastest preheat

With the fastest preheat on the market,* Bosch ovens are ready to cook in about seven minutes.



Meat probe

This built-in temperature gauge is perfect for keeping tabs on large roasts and poultry dishes. When your dish reaches the preset internal temperature, the oven beeps and turns itself off — giving you optimal temperature control.

* Based on cavity sizes of 4.3 cu. ft. and larger.



Efficiency



EcoClean® self-clean cycle

Our ovens' 2-hour self-clean cycle, the industry's best, allows you to use your time in the kitchen for cooking rather than cleaning. It also delivers improved energy efficiency by running for the shortest period of time possible.

Quality



Telescopic rack

This full-extension rack glides easily on ball bearings and extends over the open oven door for easy access, allowing you to baste large cuts of meat and poultry safely without reaching into the oven.

High-quality rack supports

Bosch's heavy-duty rack supports can hold even the heaviest dishes while allowing racks to glide more smoothly than traditional ribbed oven cavities.



ClearTouch®

glass touch controls

Bosch ovens offer smooth glass touch controls that are as easy to use as they are beautiful. And with up to 14 heating modes, the perfect program is available at your fingertips, no matter what dish you want to cook.

Good Housekeeping Seal

All Bosch ovens are backed by the Good Housekeeping Seal—a two-year limited warranty.



MICROWAVES



Convection

Bosch convection microwaves offer you faster and more even cooking results than traditional microwaves.



Multiple recipes

Our microwaves offer multiple recipe settings to make cooking easier.

WARMING DRAWER



Bosch offers a warming drawer with four settings

for prewarming dishes, heating rolls or keeping food hot for late arrivals.

Oven Specifications



Combination



Combination



Double

	800 Series		500 Series		800 Series	
Model Numbers	HBL8750UC	30" Stainless Steel	HBL5750UC HBL5760UC HBL5720UC	30" Stainless Steel 30" Black 30" White	HBL8650UC	30" Stainless Steel
Appearance	Contemporary Stainless Steel Design		Contemporary Stainless Steel Design		Contemporary Stainless Steel Design	
	ClearTouch® Glass Control		ClearTouch® Glass Control		ClearTouch® Glass Control	
	Flush-to-Cabinet Design		Flush-to-Cabinet Design		Flush-to-Cabinet Design	
	2-in-1 Design—Oven and Convection Microwave		2-in-1 Design—Oven and Convection Microwave			
Capacity	#1 in Capacity at 4.7 cu. ft.		#1 in Capacity at 4.7 cu. ft.		#1 in Capacity at 4.7 cu. ft.	
	Recessed Broil Element for Increased Capacity and Safety		Recessed Broil Element for Increased Capacity and Safety		Recessed Broil Element for Increased Capacity and Safety	
	Hidden Bake Element for Increased Capacity		Hidden Bake Element for Increased Capacity		Hidden Bake Element for Increased Capacity	
			Retractable Controls for Sleek and Easy-to-Clean Design		Double Oven for More Capacity and Cooking Flexibility	
Convenience	Amber-Colored Full Text Display		Amber-Colored Full Text Display		Amber-Colored Full Text Display	
	Timer with Cook Time and Delay Start Function		Timer with Cook Time and Delay Start Function		Timer with Cook Time and Delay Start Function	
	Extra-Large Door Window for Easy Monitoring of Cooking		Extra-Large Door Window for Easy Monitoring of Cooking		Extra-Large Door Window for Easy Monitoring of Cooking	
	High-Quality, Self-cleaning Rack Supports		High-Quality, Self-cleaning Rack Supports		High-Quality, Self-cleaning Rack Supports	
	Halogen Lights Provide Superior Cavity Illumination		Two Oven Lights to Better Monitor Cooking Progress		Halogen Lights Provide Superior Cavity Illumination	
	Star-K Certified*		Star-K Certified*		Star-K Certified*	
	Full-extension Telescopic Rack for Convenient Handling				Full-extension Telescopic Rack for Convenient Handling	
Performance	Genuine European Convection with ACS		Genuine European Convection with ACS		Genuine European Convection with ACS	
	Speed Convection Saves up to 30% Time		Speed Convection Saves up to 30% Time		Speed Convection Saves up to 30% Time	
	Fast Preheat Reduces Preheat Time to Around Seven Minutes		Fast Preheat Reduces Preheat Time to Around Seven Minutes		Fast Preheat Reduces Preheat Time to Around Seven Minutes	
	14 Cooking Modes		14 Cooking Modes		14 Cooking Modes	
	Custom Cooking Modes: Pizza, Pie, Warm and Proof		Custom Cooking Modes: Pizza, Pie, Warm and Proof		Custom Cooking Modes: Pizza, Pie, Warm and Proof	
	Meat Probe Takes Guesswork Out of Cooking		Meat Probe Takes Guesswork Out of Cooking		Meat Probe Takes Guesswork Out of Cooking	
	Recipe Mode Provides 30 Pre-Programmed Auto Settings		Recipe Mode Provides 30 Pre-Programmed Auto Settings		Recipe Mode Provides 30 Pre-Programmed Auto Settings	
	Automatic Temperature Conversion for Convection Cooking				Automatic Temperature Conversion for Convection Cooking	
Efficiency	EcoClean® Two-hour Self-Clean Cycle See HMB8050 for Microwave feature		EcoClean® Two-hour Self-Clean Cycle See HMB5050 for Microwave feature		EcoClean® Two-hour Self-Clean Cycle	
Accessories	HEZ1070	30" Ball Bearing Telescopic Rack	HEZ1070	30" Ball Bearing Telescopic Rack	HEZ1070	30" Ball Bearing Telescopic Rack

** Since July, 2011 Production (FD Number: 9107)



Double



Double

500 Series		300 Series	
HBL5650UC	30" Stainless Steel	HBL3550UC	30" Stainless Steel
HBL5660UC	30" Black	HBL3560UC	30" Black
HBL5620UC	30" White	HBN3550UC	27" Stainless Steel
HBN5650UC	27" Stainless Steel		
Contemporary Stainless Steel Design		Contemporary Stainless Steel Design	
ClearTouch® Glass Control		ClearTouch® Glass Control	
Flush-to-Cabinet Design		Flush-to-Cabinet Design	
Retractable Controls for Sleek and Easy-to-Clean Design		Dial Controls –Direct Access to Cooking Modes	
#1 in Capacity at 4.7 cu. ft. for 30" #1 in Capacity at 4.2 cu. ft. for 27"		#1 in Capacity at 4.7 cu. ft. for 30" #1 in Capacity at 4.2 cu. ft. for 27"	
Recessed Broil Element for Increased Capacity and Safety		Recessed Broil Element for Increased Capacity and Safety	
Hidden Bake Element for Increased Capacity		Hidden Bake Element for Increased Capacity	
Double Oven for More Capacity and Cooking Flexibility		Double Oven for More Capacity and Cooking Flexibility	
Amber-Colored Full Text Display		Amber-Colored Display	
Timer with Cook Time and Delay Start Function		Timer with Cook Time Function	
Extra-Large Door Window for Easy Monitoring of Cooking		Extra-Large Door Window for Easy Monitoring of Cooking	
High-Quality, Self-cleaning Rack Supports		High-Quality, Self-cleaning Rack Supports	
Two Oven Lights to Better Monitor Cooking Progress		Two Oven Lights to Better Monitor Cooking Progress	
Star-K Certified*			
Genuine European Convection with ACS			
Speed Convection Saves up to 30% Time			
Fast Preheat Reduces Preheat Time to Around Seven Minutes			
14 Cooking Modes		10 Cooking Modes	
Custom Cooking Modes: Pizza, Pie, Warm and Proof			
Meat Probe Takes Guesswork Out of Cooking			
Recipe Mode Provides 30 Pre-Programmed Auto Settings			
		Convection Cooking with Bake, Broil and Roast in Upper Oven	
Thermal Cooking with Bake, Broil and Roast in Lower Oven		Thermal Cooking with Bake, Broil and Roast in Lower Oven	
EcoClean® Two-hour Self-Clean Cycle See HMB8050 for Microwave feature		EcoClean® Two-hour Self-Clean Cycle See HMB5050 for Microwave feature	
HEZ1070	30" Ball Bearing Telescopic Rack	HEZ1070	30" Ball Bearing Telescopic Rack
HEZ1077	27" Ball Bearing Telescopic Rack	HEZ1077	27" Ball Bearing Telescopic Rack



Oven Specifications

Recommended 4th time in a row*



Single



Single



Single

	800 Series		500 Series		300 Series	
Model Numbers	HBL8450UC	30" Stainless Steel	HBL5450UC HBL5460UC HBL5420UC HBN5450UC	30" Stainless Steel 30" Black 30" White 27" Stainless Steel	HBL3450UC HBL3460UC HBN3450UC	30" Stainless Steel 30" Black 27" Stainless Steel
Appearance	Contemporary Stainless Steel Design		Contemporary Stainless Steel Design		Contemporary Stainless Steel Design	
	ClearTouch® Glass Control		ClearTouch® Glass Control		ClearTouch® Glass Control	
	Flush-to-Cabinet Design		Flush-to-Cabinet Design		Flush-to-Cabinet Design	
Capacity	#1 in Capacity at 4.7 cu. ft.		#1 in Capacity at 4.7 cu. ft. for 30" #1 in Capacity at 4.2 cu. ft. for 27"		#1 in Capacity at 4.7 cu. ft.	
	Recessed Broil Element for Increased Capacity and Safety		Recessed Broil Element for Increased Capacity and Safety		Recessed Broil Element for Increased Capacity and Safety	
	Hidden Bake Element for Increased Capacity		Hidden Bake Element for Increased Capacity		Hidden Bake Element for Increased Capacity	
Convenience	Timer with Cook Time and Delay Start Function		Timer with Cook Time and Delay Start Function		Timer with Cook Time and Delay Start Function	
	Extra-Large Door Window for Easy Monitoring of Cooking		Extra-Large Door Window for Easy Monitoring of Cooking		Extra-Large Door Window for Easy Monitoring of Cooking	
	High-Quality, Self-cleaning Rack Supports		High-Quality, Self-cleaning Rack Supports		High-Quality, Self-cleaning Rack Supports	
	Halogen Lights Provide Superior Cavity Illumination		Two Oven Lights to Monitor Cooking Progress		One Oven Light to Monitor Cooking Progress	
	Star-K Certified**		Star-K Certified**			
	Full-extension Telescopic Rack for Convenient Handling					
Performance	Genuine European Convection with ACS		Genuine European Convection with ACS		Convection Cooking with Bake, Broil and Roast	
	Speed Convection Saves up to 30% Time		Speed Convection Saves up to 30% Time			
	14 Cooking Modes		14 Cooking Modes		10 Cooking Modes	
	Custom Cooking Modes: Pizza, Pie, Warm and Proof		Custom Cooking Modes: Pizza, Pie, Warm and Proof			
	Fast Preheat Reduces Preheat Time to Around Seven Minutes		Fast Preheat Reduces Preheat Time to Around Seven Minutes			
	Meat Probe Takes Guesswork Out of Cooking		Meat Probe Takes Guesswork Out of Cooking			
	Recipe Mode Provides 30 Pre-Programmed Auto Settings		Recipe Mode Provides 30 Pre-Programmed Auto Settings			
Efficiency	Automatic Temperature Conversion for Convection Cooking					
	EcoClean® Two-hour Self-Clean Cycle		EcoClean® Two-hour Self-Clean Cycle		EcoClean® Two-hour Self-Clean Cycle	
Accessories	HEZ1070	30" Ball Bearing Telescopic Rack	HEZ1070 HEZ1077	30" Ball Bearing Telescopic Rack 27" Ball Bearing Telescopic Rack	HEZ1070 HEZ1077	30" Ball Bearing Telescopic Rack 27" Ball Bearing Telescopic Rack

* Recommended by a leading consumer publication 4th time in a row.

** Since July, 2011 Production (FD Number: 9107)



Single

300 Series

HBL3350UC 30" Stainless Steel
 HBL3360UC 30" Black

Contemporary Stainless Steel Design

ClearTouch® Glass Control

Flush-to-Cabinet Design

Dial Controls –Direct Access to Cooking Modes

#1 in Capacity at 4.7 cu. ft.

Recessed Broil Element for Increased Capacity and Safety

Hidden Bake Element for Increased Capacity

Timer with Cook Time Function

Extra-Large Door Window for Easy Monitoring of Cooking

High-Quality, Self-cleaning Rack Supports

One Oven Light to Monitor Cooking Progress

Thermal Cooking with Bake, Broil and Roast

EcoClean® Two-hour Self-Clean Cycle

HEZ1070 30" Ball Bearing Telescopic Rack

Colors



Stainless Steel
 (HBL5750UC Model Shown)



Black
 (HBL5760UC Model Shown)



White
 (HBL5720UC Model Shown)

Ovens | Microwaves |
 Warming Drawers



Microwave Specifications



Over-the-Range



Over-the-Range



Over-the-Range

	800 Series	500 Series	300 Series
Model Numbers	HMV8051U Stainless Steel	HMV5051U Stainless Steel	HMV3051U Stainless Steel HMV3061U Black HMV3021U White
Appearance	OTR Microwave Design—Matched for Use in Combination with Bosch Range or Cooktop	OTR Microwave Design—Matched for Use in Combination with Bosch Range or Cooktop	OTR Microwave Design—Matched for Use in Combination with Bosch Range or Cooktop
	Exclusive Stainless Steel Handle	Exclusive Stainless Steel Handle	Exclusive Stainless Steel Handle
	Stainless Steel Vent Grid	Stainless Steel Vent Grid	Stainless Steel Colored Vent Grid
	Easy to Read LCD Display	Easy to Read LCD Display	Easy to Read LCD Display
Capacity	1.5 cu. ft. Large Oven Cavity	1.7 cu. ft. Large Oven Capacity	1.6 cu. ft. Large Cavity
	13½" Glass Turntable	Large 13½" Glass Turntable	Large 13½" Glass Turntable
Convenience	Easy-to-use Touch Control	Easy-to-use Touch Control	Easy-to-use Touch Control
	Side-hinged Door Allows Full Access to Microwave Cavity	Side-hinged Door Allows Full Access to Microwave Cavity	Side-hinged Door Allows Full Access to Microwave Cavity
	Recirculation or Outside Venting Options	Recirculation or Outside Venting Options	Recirculation or Outside Venting Options
	Reheat Setting Automatically determines Power Level and Cooking Time	Reheat Setting Automatically determines Power Level and Cooking Time	Reheat Setting Automatically determines Power Level and Cooking Time
	Potato Program	Potato Program	Potato Program
	Automatic Defrost Automatically determines Power Level and Cooking Time	Automatic Defrost Automatically determines Power Level and Cooking Time	Automatic Defrost Automatically determines Power Level and Cooking Time
	Popcorn Program—Get Fully “Popped” Popcorn Simply by Entering the Bag Size	Popcorn Program—Get Fully “Popped” Popcorn Simply by Entering the Bag Size	Popcorn Program—Get Fully “Popped” Popcorn Simply by Entering the Bag Size
	Timer with Cook Time and Automatic Shut Off Function	Timer with Cook Time and Automatic Shut Off Function	Timer with Cook Time and Automatic Shut Off Function
	Convenient Kitchen Timer	Convenient Kitchen Timer	Convenient Kitchen Timer
	Easily Adds 30 seconds to Cooking Time	Easily Adds 30 seconds to Cooking Time	Easily Adds 30 seconds to Cooking Time
	Quick Setting for 1, 2, 3, 4, 5 or 6 Minute Cooking at 100% Power	Quick Setting for 1, 2, 3, 4, 5 or 6 Minute Cooking at 100% Power	Quick Setting for 1, 2, or 3 Minute Cooking at 100% Power
	Two-level Microwave Cooking	Two-level Microwave Cooking	
	Easy-clean Closed Stainless Steel Air Vent	Easy-clean Closed Stainless Steel Air Vent	
	Eight Sensor Programs	Eight Sensor Programs	
Performance	900 Watt Microwave Power	1,000 Watt Microwave Power	1,000 Watt Microwave Power
	10 Microwave Power Levels	10 Microwave Power Levels	10 Microwave Power Levels
	Two-speed Vent with up to 300 CFM	Two-speed Vent with up to 300 CFM	Two-speed Vent with up to 300 CFM
	Two 30 Watt Lights for Bright Cooktop Illumination	Two 30 Watt Lights for Bright Cooktop Illumination	Two 30 Watt Lights for Bright Cooktop Illumination
	Convection Cooking		
Accessories	n/a	n/a	n/a



Built-In*



Built-In*

Colors



Stainless Steel
(HMB5050 Model Shown*)



Black
(HMB5060 Model Shown*)



White
(HMB5020 Model Shown*)

	800 Series		500 Series	
Model Numbers	HMB8050 HMB8060 HMB8020	Stainless Steel Black White	HMB5050 HMB5060 HMB5020	Stainless Steel Black White
Appearance	Built-in Convection Microwave Design—Matched for Use in Combination with Bosch Wall Oven		Built-in Microwave Design—Matched for Use in Combination with Bosch Wall Oven	
	Contemporary Stainless Steel Design		Contemporary Stainless Steel Design	
	Flush-to-Cabinet Design		Flush-to-Cabinet Design	
	ClearTouch® Glass Control		ClearTouch® Glass Control	
	Available with 27" or 30" Trim Kit for Built-in Installation		Available with 27" or 30" Trim Kit for Built-in Installation	
Capacity	1.5 cu. ft. Stainless Steel Cavity		2.1 cu. ft. Large Cavity	
	15" Recessed Ceramic Turntable		16 1/2" Recessed Glass Turntable	
Convenience	Amber-Colored LCD Display		Amber-Colored LCD Display	
	Keep Warm Program		Keep Warm Program	
	Quick Min. Conveniently Adds Cooking Time with One Touch		Quick Min. Conveniently Adds Cooking Time with One Touch	
	Convenient Automatic Sensor Programs Simplify Cooking for Great Results		Convenient Automatic Sensor Programs Simplify Cooking for Great Results	
	Smart Sensor Reheat Program Automatically Sets Cooking Power and Time Based on Serving Size		Smart Sensor Reheat Program Automatically Sets Cooking Power and Time Based on Serving Size	
	Quick Defrost—Defrosts Foods such as Meat, Poultry and Seafood		Quick Defrost—Defrosts Foods such as Meat, Poultry and Seafood	
	Popcorn Program—Get Fully “Popped” Popcorn Simply by Entering the Bag Size		Popcorn Program—Get Fully “Popped” Popcorn Simply by Entering the Bag Size	
	Timer with Cook Time and Delay Start Function		Timer with Cook Time and Delay Start Function	
	Automatic Convection Bake for Cake and Pie			
			Beverages—Reheats One or Two Cups of Room Temperature Beverages Without Setting Power and Time	
Performance	1,000 Watt Microwave Power		1,200 Watt Microwave Power	
	10 Microwave Power Levels		10 Microwave Power Levels	
	Innovative Microwave Inverter Technology—More Even Cooking From Center to Crust		Innovative Microwave Inverter Technology—More Even Cooking From Center to Crust	
	Genuine European Convection with ACS			
	Convection Bake for Even Baking of Smaller Items			
Accessories	HMT8750	27" Built-In Trim Kit SS	HMT5750	27" Built-In Trim Kit SS
	HMT8050	30" Built-In Trim Kit SS	HMT5050	30" Built-In Trim Kit SS
	HMT8060	30" Built-In Trim Kit Black	HMT5060	30" Built-In Trim Kit Black
	HMT8020	30" Built-In Trim Kit White	HMT5020	30" Built-In Trim Kit White

*Built-in microwave shown with trim kit. Microwave and trim kit sold separately.



Warming Drawer Specifications



30"



27"

	500 Series		500 Series	
Model Numbers	HWD3050UC HWD3060UC HWD3020UC	Stainless Steel Black White	HWD2750UC	Stainless Steel
Appearance	Built-in Warming Drawer Design-matched for Use in Combination with Bosch Wall Oven		Built-in Warming Drawer Design-matched for Use in Combination with Bosch Wall Oven	
	ClearTouch® Glass Control		ClearTouch® Glass Control	
	Flush-to-Cabinet Design		Flush-to-Cabinet Design	
Capacity	2.0 cu. ft. Large Cavity		1.8 cu. ft. Large Cavity	
	Lower Side Walls Allow Easy Loading and Unloading of Drawer		Lower Side Walls Allow Easy Loading and Unloading of Drawer	
Convenience	Sturdy Ball Bearing Telescopic Rails for Smooth Opening		Sturdy Ball Bearing Telescopic Rails for Smooth Opening	
	Moisture Selector to Adjust Humidity Level Inside the Drawer (e.g. "Moist" to Keep a Roast Warm)		Moisture Selector to Adjust Humidity Level Inside the Drawer (e.g. "Moist" to Keep a Roast Warm)	
	Star-K Certified (See page 34)		Star-K Certified (See page 34)	
	Automatic Shut-Off Function with Adjustable Timer		Automatic Shut-Off Function with Adjustable Timer	
Performance	450 Watt Heating Element Concealed Below Drawer		450 Watt Heating Element Concealed Below Drawer	
	Three Temperature Levels		Three Temperature Levels	
	Special Dough Proofing Mode		Special Dough Proofing Mode	

Colors



Stainless Steel
(HWD3050UC Model Shown)



Black
(HWD3060UC Model Shown)



White
(HWD3020UC Model Shown)



Cooktops

Induction | Gas | Electric





Induction Cooktops

Induction cooktops are a revolutionary way of cooking that use the power of electromagnetic waves to quickly and efficiently turn the bottom of a pot into an active heating surface, rather than the cooktop. Induction cooktops use 60% less energy than cooking with gas and heat food over two times faster than electric cooktops.

Gas Cooktops

To create a variety of dishes, you need a versatile cooktop. High BTU-output burners deliver power for searing, while a separate, low-output burner provides gentle simmering. The large dials are easy to adjust to get the perfect flame. Multiple-size burners accommodate all cooking styles. And the burners' sealed, recessed design contains spills and makes cleanup easy.

Electric Cooktops

From the simple elegance of the ceramic-glass cooking surface to the exciting performance features, Bosch electric cooktops are the very image of understated sophistication for the kitchen. Whether you choose the refined touch-control models or the familiarity of our rotary-dial units, you'll find a model that suits your design aesthetic and cooking style.

Model shown below: NIT8665UC

Model shown left: NGM8654UC

Model shown above: NET8654UC



Three brilliant ways to cook. One superior way to engineer them.

We know the importance of precision in cooking. And we engineer our gas, electric and induction cooktops accordingly, ensuring precise temperatures for legendary cooking performance. Gas provides perfect flame control, from 18,000 BTU to soft simmering. Electric cooktops offer easy-to-clean, contemporary Touch Controls. And our induction cooktops heat food over 50% faster than electric and use 60% less energy than gas.



INDUCTION COOKTOPS

Quality



PreciseSelect™

Easily change the heat level of the cooktop by selecting any of the 17 different levels.



SteelTouch™ controls

Incredibly responsive and seamless with a sharp stainless steel design.



AutoChef®

Bosch's AutoChef technology delivers culinary precision and top-notch efficiency. Nine cooking programs and four temperature settings are available for your convenience.



CountDown™ timer

The days of working over a hot stove are long gone, thanks to this ingenious function that allows you to pre-set a cooking time for each individual heating element. Now you can multi-task in the kitchen, and the cooktop will automatically shut off individual cooking elements when their programmed time has expired.



Performance



Class-leading 11" element

Conducting up to 4,400 watts of power, the 11" element on the 36" cooktop is the most powerful in its price class.



SpeedBoost®

For time savings as well as energy savings, the SpeedBoost function can heat water twice as fast as a conventional ceramic cooktop.

Efficiency

PotSense™

Bosch induction cooktops detect if a pot is placed on a cooking element and automatically adjusts the cooking field to the size of the pot bottom. This makes your kitchen cooler, more energy-efficient, and safer.

Safety

ChildLock

Bosch induction cooktops take safety up a notch. The ChildLock function prevents the cooktop from being accidentally switched on.

Anti-overflow system

Sensors in the glass can detect large spills or excessive overflow, automatically shut off the cooktop, and sound an alarm to alert you of the situation.

Automatic shut-off system

Safety comes first. So Bosch induction cooktops are designed to automatically switch off when the unit exceeds a maximum temperature limit.



Heat indicator

A light on the cooktop warns if surface is hot due to any residual heat from cooking vessel.

Safe Start

This safety feature accurately distinguishes between pots or pans and smaller items like utensils that may accidentally be left on the cooktop, and ensures that each cooking element will only heat up if a pot is detected on the cooking surface.



Clean Lock

Clean Lock prevents unwanted changes to settings while you clean spillovers.

GAS COOKTOPS

Performance



Continuous grates

These are the same types of grates found in professional kitchens, letting you slide and move pots off of an active burner or rearrange them without fear of tipping or spilling. They also give the cooktop a high-grade, quality appearance that really makes an impression.



PowerSim® burner

This feature, available on our largest burner, uses a diffuser cap to output a large flame of up to 18,000 BTU for quick heating, and can gently simmer like a small burner.



OptiSim® burner

This Bosch burner heats at a low BTU to delicately simmer even the most sensitive sauces or melt chocolate by evenly spreading the flame across the bottom of the pot to help prevent scorching.

Safety



Automatic reignition

The automatic reignition will generate a spark and reignite the burner if the flame should go out.



30" five-burner gas cooktop

The industry-leading 30" five-burner provides high performance and versatility in a 30" space.



ELECTRIC COOKTOPS

Quality

**AutoChef®**

A Bosch exclusive: maintains exact frying temperature for perfect results and convenient, healthy, nutritional cooking. Nine cooking programs and four temperature settings are available for your convenience.

**CountDown™ timer**

The days of working over a hot stove are long gone, thanks to this ingenious function that allows you to pre-set a cooking time for each individual heating element. Now you can multi-task in the kitchen, and the cooktop will automatically shut off the individual cooking elements when their programmed time has expired.

**SteelTouch™ controls**

Incredibly responsive and seamless with a sharp stainless steel design.

**PreciseSelect™**

Easily change the heat level of the cooktop by selecting any of the 17 different levels.

**Glass touch control**

This touch-sensitive control panel uses the most advanced technology on the market. It has a digital readout of the chosen power setting and residual heat indicator to prevent accidental injury.

Performance

Keep Warm function

When this function is selected, it enables you to reduce the cooking power to as little as 3% of normal—much greater temperature control than conventional cooktops offer you. This brings the heat to a perfect level to keep meals warm, or to simmer soups.

PowerStart®

This feature temporarily increases and holds the temperature at the most powerful setting. Then it gradually declines to your preset level. This reduces cooking time and offers the convenience of one-button operation.

**Dual-element burners**

Burners provide solutions to multiple cookware sizes. They are designed to use the cooking space more efficiently than single elements.

**Triple-element burners**

The burners are available in 6"/8"/12" configurations, and are designed to efficiently accommodate a wide variety of cookware without wasting energy unnecessarily.

**Bridge element**

Connects two burners, creating an elongated cooking surface for larger, oval-shaped pans.

Safety

ChildLock

Bosch electric cooktops take safety up a notch. The ChildLock function prevents the cooktop from being accidentally switched on.

Automatic shut-off system

Safety comes first. So Bosch electric cooktops are designed to automatically switch off when the unit exceeds a maximum temperature limit.

**Clean Lock**

Clean Lock prevents unwanted changes to settings while you clean spillovers.

**Heat indicator**

A light on the cooktop warns if surface is hot due to any residual heat from cooking vessel.



Induction Cooktop Specifications



36"



30"



36"

	800 Series		800 Series		500 Series	
Model Numbers	NIT8665UC	Black w/Stainless Steel Trim	NIT8065UC	Black w/Stainless Steel Trim	NIT5665UC	Black w/Stainless Steel Trim
Appearance	SteelTouch™ Control Panel with 17 Settings		SteelTouch™ Control Panel with 17 Settings		Sleek Touch Control Panel with 17 Settings	
	High-end Front and Back Stainless Steel Strip for a Premium Look		High-end Front and Back Stainless Steel Strip for a Premium Look		Front and Back Stainless Steel Strip for a Premium Look	
Convenience	Sleek Glass Design for Easy Clean Up		Sleek Glass Design for Easy Clean Up		Sleek Glass Design for Easy Clean Up	
	CountDown™ Timer–Built-in Timers for Each Element, Doubles as General-Purpose Kitchen Timer		CountDown™ Timer–Built-in Timers for Each Element, Doubles as General-Purpose Kitchen Timer		CountDown™ Timer–Built-in Timers for Each Element, Doubles as General-Purpose Kitchen Timer	
	Clean Lock–Prevents Unwanted Changing of Settings while Cleaning Spill-overs		Clean Lock–Prevents Unwanted Changing of Settings while Cleaning Spill-overs		Clean Lock–Prevents Unwanted Changing of Settings while Cleaning Spill-overs	
	PreciseSelect™–Direct Cooking Level Selection (17 Settings)		PreciseSelect™–Direct Cooking Level Selection (17 Settings)		PreciseSelect™–Direct Cooking Level Selection (17 Settings)	
	AutoChef® Sensor–A Bosch Exclusive Maintains Exact Temperature for Perfect Results and Convenience		AutoChef® Sensor–A Bosch Exclusive Maintains Exact Temperature for Perfect Results and Convenience			
	Bosch Recommended Pan Included–Excellent Heating Performance and Superior Cleanability		Bosch Recommended Pan Included–Excellent Heating Performance and Superior Cleanability			
Performance	Dual 11" Heating Elements with Powerful 4,400 Watts–Most Powerful Induction Element in its Class.		11" Heating Element with Powerful 3,600 Watts		Dual 11" Heating Elements with Powerful 4,400 Watts–Most Powerful Induction Element in its Class	
	SpeedBoost®–This Fast-heat Mode Boils Water Twice as Fast as Conventional Electric Cooktops		SpeedBoost®–This Fast-heat Mode Boils Water Twice as Fast as Conventional Electric Cooktops		SpeedBoost®–This Fast-heat Mode Boils Water Twice as Fast as Conventional Electric Cooktops	
Safety	Overflow Detection–Sounds Alarm and Shuts off Cooktop in Case of an Overflow		Overflow Detection–Sounds Alarm and Shuts off Cooktop in Case of an Overflow		Overflow Detection–Sounds Alarm and Shuts off Cooktop in Case of an Overflow	
	ChildLock–Prevents the Cooktop from Being Accidentally Switched On, Locks Temperature Settings if in Use		ChildLock–Prevents the Cooktop from Being Accidentally Switched On, Locks Temperature Settings if in Use		ChildLock–Prevents the Cooktop from Being Accidentally Switched On, Locks Temperature Settings if in Use	
	Safe Start–Ensures that Element Only is Activated; Others Remain Off		Safe Start–Ensures that Element Only is Activated; Others Remain Off		Safe Start–Ensures that Element Only is Activated; Others Remain Off	
	Anti-Overheat System–Shuts Off Cooktop		Anti-Overheat System–Shuts Off Cooktop		Anti-Overheat System–Shuts Off Cooktop	
	Two-level Heat Indicator–Warns if Cooktop is Warm or Hot		Two-level Heat Indicator–Warns if Cooktop is Warm or Hot		Two-level Heat Indicator–Warns if Cooktop is Warm or Hot	
Efficiency	PotSense™–Automatically Adjusts Cooking Element to the Size of the Pan Bottom		PotSense™–Automatically Adjusts Cooking Element to the Size of the Pan Bottom		PotSense™–Automatically Adjusts Cooking Element to the Size of the Pan Bottom	
Accessories	HEZ390230*	10" AutoChef® Pan	HEZ390230*	10" AutoChef® Pan	n/a	
	HEZ390220	9" AutoChef® Pan	HEZ390210	8" AutoChef® Pan		

*Free with mail-in redemption card.

Recommended*



30"



30"

500 Series		300 Series	
NIT5065UC	Black w/Stainless Steel	NIT3065UC	Black
Sleek Touch Control Panel with 17 Settings		Sleek Touch Control Panel with 17 Settings	
Front and Back Stainless Steel Strip for a Premium Look			
Sleek Glass Design for Easy Clean Up		Sleek Glass Design for Easy Clean Up	
CountDown™ Timer—Built-in Timers for Each Element. Doubles as General-Purpose Kitchen Timer		CountDown™ Timer—Built-in Timers for Each Element. Doubles as General-Purpose Kitchen Timer	
Clean Lock—Prevents Unwanted Changing of Settings while Cleaning Spill-overs			
PreciseSelect™—Direct Cooking Level Selection (17 Settings)			
11" Heating Element with Powerful 3,600 Watts		11" Heating Element with Powerful 3,600 Watts	
SpeedBoost®—This Fast-heat Mode Boils Water Twice as Fast as Conventional Electric Cooktops		SpeedBoost®—This Fast-heat Mode Boils Water Twice as Fast as Conventional Electric Cooktops	
Overflow Detection—Sounds Alarm and Shuts off Cooktop in Case of an Overflow		Overflow Detection—Sounds Alarm and Shuts off Cooktop in Case of an Overflow	
ChildLock—Prevents the Cooktop from Being Accidentally Switched On, Locks Temperature Settings if in Use		ChildLock—Prevents the Cooktop from Being Accidentally Switched On, Locks Temperature Settings if in Use	
Safe Start—Ensures that Element Only is Activated; Others Remain Off		Safe Start—Ensures that Element Only is Activated; Others Remain Off	
Anti-Overheat System—Shuts Off Cooktop		Anti-Overheat System—Shuts Off Cooktop	
Two-level Heat Indicator—Warns if Cooktop is Warm or Hot		Two-level Heat Indicator—Warns if Cooktop is Warm or Hot	
PotSense™—Automatically Adjusts Cooking Element to the Size of the Pan Bottom		PotSense™—Automatically Adjusts Cooking Element to the Size of the Pan Bottom	
n/a		n/a	

Cooktops

* Recommended by a leading consumer publication, May 2011.



Gas Cooktop Specifications

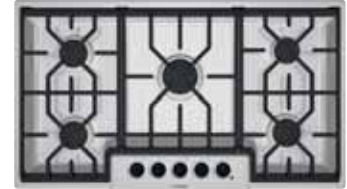
Recommended*



36"



30"



36"

	800 Series		800 Series		500 Series	
Model Numbers	NGM8654UC	Stainless Steel	NGM8054UC	Stainless Steel	NGM5654UC NGM5664UC NGM5624UC	Stainless Steel Black White
Appearance	Centralized Controls for Easy Use and More Intuitive Operation of Cooktop		Centralized Controls for Easy Use and More Intuitive Operation of Cooktop		Centralized Controls for Easy Use and More Intuitive Operation of Cooktop	
	Cooktop Design Coordinates with Bosch Wall Ovens		Cooktop Design Coordinates with Bosch Wall Ovens		Cooktop Design Coordinates with Bosch Wall Ovens	
	Low-Profile Design for a More Integrated Appearance		Low-Profile Design for a More Integrated Appearance		Low-Profile Design for a More Integrated Appearance	
	Heavy-Duty Metal Knobs for a Quality Look and Feel		Heavy-Duty Metal Knobs for a Quality Look and Feel		High Quality Color Matched Knobs with Stainless Steel Bezel	
Convenience	Continuous Grates—Effortlessly Move Pots and Pans, Easy to Clean		Continuous Grates—Effortlessly Move Pots and Pans, Easy to Clean		Continuous Grates—Effortlessly Move Pots and Pans, Easy to Clean	
	Sealed Burners Prevent Spills From Entering the Burner Box		Sealed Burners Prevent Spills From Entering the Burner Box		Sealed Burners Prevent Spills From Entering the Burner Box	
	Push-to-Turn Knobs		Push-to-Turn Knobs		Push-to-Turn Knobs	
	Star-K Certified		Star-K Certified		Star-K Certified	
Performance	Powerful 18,000 BTU Central Burner		Powerful 16,000 BTU Central Burner		Powerful 16,000 BTU Central Burner	
	OptiSim®—Simmer Delicate Sauces without Scorching		OptiSim®—Simmer Delicate Sauces without Scorching		OptiSim®—Simmer Delicate Sauces without Scorching	
	PowerSim®—Quick Heating with Large Flame or Gentle Simmering with a Diffuser Cap		PowerSim®—Quick Heating with Large Flame or Gentle Simmering with a Diffuser Cap			
			Five Burner 30" Cooktop—Same Versatility of 36" Cooktop in Compact 30" Format. For Kitchens Where Space is Limited			
Safety	Automatic Electronic Re-Ignition—In Case Flame Goes Out, the Burner is Automatically Re-Ignited		Automatic Electronic Re-Ignition—In Case Flame Goes Out, the Burner is Automatically Re-Ignited		Automatic Electronic Re-Ignition—In Case Flame Goes Out, the Burner is Automatically Re-Ignited	
Accessories	NEZ1054 LP Conversion Kit		NEZ1054 LP Conversion Kit		NEZ1054 LP Conversion Kit	

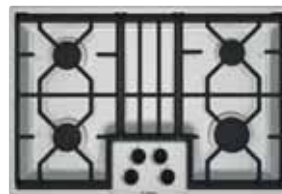
* Recommended by a leading consumer publication, May 2011.



30"



36"



30"

500 Series		300 Series		300 Series	
NGM5054UC	Stainless Steel	NGM3654UC	Stainless Steel	NGM3054UC	Stainless Steel
NGM5064UC	Black				
NGM5024UC	White				
Centralized Controls for Easy Use and More Intuitive Operation of Cooktop		Centralized Controls for Easy Use and More Intuitive Operation of Cooktop		Centralized Controls for Easy Use and More Intuitive Operation of Cooktop	
Cooktop Design Coordinates with Bosch Wall Ovens		Cooktop Design Coordinates with Bosch Wall Ovens		Cooktop Design Coordinates with Bosch Wall Ovens	
Low-Profile Design for a More Integrated Appearance		Low-Profile Design for a More Integrated Appearance		Low-Profile Design for a More Integrated Appearance	
High Quality Color Matched Knobs with Stainless Steel Bezel		High Quality Color Matched Knobs with Stainless Steel Bezel		High Quality Color Matched Knobs with Stainless Steel Bezel	
Continuous Grates—Effortlessly Move Pots and Pans, Easy to Clean		Continuous Grates—Effortlessly Move Pots and Pans, Easy to Clean		Continuous Grates—Effortlessly Move Pots and Pans, Easy to Clean	
Sealed Burners Prevent Spills From Entering the Burner Box		Sealed Burners Prevent Spills From Entering the Burner Box		Sealed Burners Prevent Spills From Entering the Burner Box	
Push-to-Turn Knobs		Push-to-Turn Knobs		Push-to-Turn Knobs	
Star-K Certified		Star-K Certified		Star-K Certified	
Powerful 16,000 BTU Burner		Powerful 14,000 BTU Central Burner		Powerful 14,000 BTU Burner	
OptiSim®—Simmer Delicate Sauces without Scorching					
Automatic Electronic Re-Ignition—In Case Flame Goes Out, the Burner is Automatically Re-Ignited		Automatic Electronic Re-Ignition—In Case Flame Goes Out, the Burner is Automatically Re-Ignited		Automatic Electronic Re-Ignition—In Case Flame Goes Out, the Burner is Automatically Re-Ignited	
NEZ1054 LP Conversion Kit		NEZ1054 LP Conversion Kit		NEZ1054 LP Conversion Kit	

Cooktops

Colors



Stainless Steel
(NGM5654UC Model Shown)



Black
(NGM5664UC Model Shown)



White
(NGM5624UC Model Shown)

Electric Cooktop Specifications



36"



30"



36"

	800 Series		800 Series		500 Series	
Model Numbers	NET8654UC	Black w/Stainless Steel Trim	NET8054UC	Black w/Stainless Steel Trim	NET5654UC	Black w/Stainless Steel Trim
Appearance	SteelTouch™ with PreciseSelect™—A Bosch Exclusive		SteelTouch™ with PreciseSelect™—A Bosch Exclusive		Sleek Touch Control Panel Offers a Choice of 17 Settings for Unprecedented Temperature Control with PreciseSelect™	
	High-end Front and Back Stainless Steel Strip for a Premium Look		High-end Front and Back Stainless Steel Strip for a Premium Look		High-end Front and Back Stainless Steel Strip for a Premium Look	
Convenience	Sleek Glass Design for Easy Clean Up		Sleek Glass Design for Easy Clean Up		Sleek Glass Design for Easy Clean Up	
	AutoChef® Sensor—A Bosch Exclusive. Maintains Exact Frying Temperature for Perfect Results and Convenience		AutoChef® Sensor—A Bosch Exclusive. Maintains Exact Frying Temperature for Perfect Results and Convenience			
	Bosch Recommended Pan Included—Excellent Heating Performance and Superior Cleanability, Dishwasher safe, Works with Electric and Induction Cooktops		Bosch Recommended Pan Included—Excellent Heating Performance and Superior Cleanability, Dishwasher safe, Works with Electric and Induction Cooktops			
	PreciseSelect™—Direct Cooking Level Selection (17 Settings)		PreciseSelect™—Direct Cooking Level Selection (17 Settings)		PreciseSelect™—Direct Cooking Level Selection (17 Settings)	
	CountDown™ Timer—Built-in Timers for Each Element. Doubles as General-Purpose Kitchen Timer		CountDown™ Timer—Built-in Timers for Each Element. Doubles as General-Purpose Kitchen Timer		CountDown™ Timer—Built-in Timers for Each Element. Doubles as General-Purpose Kitchen Timer	
	Clean Lock—Prevents Unwanted Changing of Settings while Cleaning Spill-Overs		Clean Lock—Prevents Unwanted Changing of Settings while Cleaning Spill-Overs		Clean Lock—Prevents Unwanted Changing of Settings while Cleaning Spill-Overs	
	Keep Warm Function Allows Meals to Remain Ready to Serve		Keep Warm Function Allows Meals to Remain Ready to Serve		Keep Warm Function Allows Meals to Remain Ready to Serve	
Performance	Three-zone 12" Heating Element with Powerful 3,080 Watt Element. Three Heating-zone Sizes in One. Accommodates a Variety of Pan Sizes		Three-zone 12" Heating Element with Powerful 2,700 Watt Element. Three Heating-zone Sizes in One. Accommodates a Variety of Pan Sizes			
	Dual Element Offers the Capability to Use Multiple Pan Sizes		Dual Element Offers the Capability to Use Multiple Pan Sizes		Dual Element Offers the Capability to Use Multiple Pan Sizes	
	PowerStart®—Initial Maximum Power Output Quickly Heats Burner, then Automatically Decreases to Pre-selected Temperature		PowerStart®—Initial Maximum Power Output Quickly Heats Burner, then Automatically Decreases to Pre-selected Temperature			
	Bridge Element Accommodates Oblong Pans and Multiple Diameter Sizes				Bridge Element Accommodates Oblong Pans and Multiple Diameter Sizes	
Safety	Two-level Heat Indicator—Warns if Cooktop is Warm or Hot		Two-level Heat Indicator—Warns if Cooktop is Warm or Hot		Two-level Heat Indicator—Warns if Cooktop is Warm or Hot	
	ChildLock—Prevents the Cooktop from Being Accidentally Switched on, Locks Temperature Settings if in Use		ChildLock—Prevents the Cooktop from Being Accidentally Switched on, Locks Temperature Settings if in Use		ChildLock—Prevents the Cooktop from Being Accidentally Switched on, Locks Temperature Settings if in Use	
Accessories	HEZ390230*	10" AutoChef® Pan	HEZ390230*	10" AutoChef® Pan	n/a	
	HEZ390210	8" AutoChef® Pan	HEZ390210	8" AutoChef® Pan	n/a	



*Free with mail-in redemption card.

Products noted were selected by Consumers Digest Best Buy for outstanding value based on performance, features and durability.

Recommended**



30"



36"



30"

500 Series	300 Series	300 Series
NET5054UC Black w/Stainless Steel Trim	NEM3664UC Black	NEM3064UC Black
Sleek Touch Control Panel Offers a Choice of 17 Settings for Unprecedented Temperature Control with PreciseSelect™	High Quality Black Knobs with a Stainless Steel Bezel	High Quality Black Knobs with a Stainless Steel Bezel
High-end Front and Back Stainless Steel Strip for a Premium Look		
Sleek Glass Design for Easy Clean Up	Sleek Glass Design for Easy Clean Up	Sleek Glass Design for Easy Clean Up
PreciseSelect™—Direct Cooking Level Selection (17 Settings)		
CountDown™ Timer—Built-in Timers for Each Element. Doubles as General-Purpose Kitchen Timer		
Clean Lock—Prevents Unwanted Changing of Settings while Cleaning Spill-Overs		
Keep Warm Function Allows Meals to Remain Ready to Serve		
Dual Element Offers the Capability to Use Multiple Pan Sizes	Dual element Offers the Capability to Use Multiple Pan Sizes	Dual Element Offers the Capability to Use Multiple Pan Sizes
	Infinite Temperature Controls for Precision Cooking	Infinite Temperature Controls for Precision Cooking
Bridge Element Accommodates Oblong Pans and Multiple Diameter Sizes		
Two-level Heat Indicator—Warns if Cooktop is Warm or Hot	Two-level Heat Indicator—Warns if Cooktop is Warm or Hot	Two-level Heat Indicator—Warns if Cooktop is Warm or Hot
ChildLock—Prevents the Cooktop from Being Accidentally Switched on, Locks Temperature Settings if in Use		
n/a	n/a	n/a
n/a	n/a	n/a

Cooktops

** Recommended by a leading consumer publication, May 2011.



Ranges

Slide-in | Freestanding





Dual-fuel ranges

Dual-fuel ranges from Bosch offer performance and convenience. Their gas-on-glass design features burners mounted on a ceramic-glass cooktop, making cleanup easy. A 16,000 BTU PowerSim® burner delivers fast boiling and precise control. And the Genuine European Convection with ACS oven cooks up to 25% faster.

Gas ranges

Unleash your cooking instincts with a Bosch gas range. Pro-style cooking grates let you slide your pots easily. Powerful PowerSim® burners deliver up to 16,000 BTU for fast boiling and excellent searing, while optimized burner spacing keeps every pot optimally positioned for maximum convenience. Prepare yourself for an amazing culinary experience.

Electric ranges

Bosch electric ranges deliver power and functionality that help them perform as good as they look. They feature a glass-ceramic cooktop with UltraSpeed™ ribbon elements that heat up as fast as gas. Add the performance of Genuine European Convection and a concealed bake element, and it's clear that every meal you prepare with a Bosch electric range is certain to be a hit.

Model shown above: Integra® HDI7282U

Model shown below: Evolution® HGS5053UC

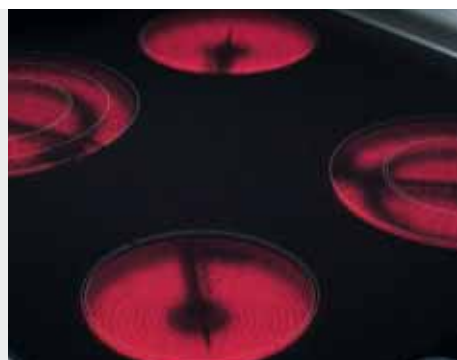
Model shown left: Integra® HEI7282U



The only thing that's not optional is the unbelievable convenience.

While our legendary quality makes a Bosch range the easy choice, deciding which type you want may not be so simple. There's the powerful control of gas. The efficient ease of electric. And the best of both world-class performers: Our dual-fuel model. All available in sleek, cabinet-flush, slide-in units or stylishly versatile freestanding ranges.





Quality

Endless cooking possibilities

With up to nine preset cooking modes, the options are as vast as they are easy to operate. Our precisely programmed oven functions let you choose from bake, broil, convection bake, convection broil, convection roast, dehydrate or keep warm to complement your diverse cooking needs. All models even include a Sabbath mode.

Widest oven in its class

At 25 inches, our oven is the widest in its class. Incredibly accommodating, not only can you cook with a variety of cookware sizes simultaneously, it lets you cook an entire meal—including a large bird with all the trimmings. And with our well-lit oven, checking on your meal is a pleasurable eye-opener.

Gas-on-glass burners

This ingenious design mounts gas burners on color-matched ceramic glass, creating a sleek, handsome cooktop that's patterned to conceal smudges while being significantly easier to clean.

Cooktop elements

The electric cooktop features our state-of-the-art UltraSpeed™ ribbon elements. Instantly responding to the controls, these elements boast a three- to five-second “heat-up” time. There are multiple-sized elements, including a triple, all of which are adjustable to accommodate a variety of cookware styles.

ClearTouch® glass panel

This touch panel features high-quality materials and elegant design, while giving complete access to all of the range's many features. Easy to use and even easier to clean, the control indicators will never fade because they are sealed under the glass surface, guaranteeing a beautiful appearance for years to come.



Touch and Turn®

Operating your oven with our exclusive Touch and Turn control system is a breeze. Performance is now at your fingertips. You can access an array of cooking modes in fewer steps, and even self-clean your oven with a single intuitive control knob. No more guesswork. Just great results every time.



Performance



PowerSim® burner

The PowerSim burner is the ultimate in power and finesse. It can generate a blazing 16,000 BTU for fast boiling or quick searing. At the other extreme, the built-in diffuser distributes heat evenly to let you simmer delicate sauces or melt chocolate without scorching.



OptiSim® burner

This OptiSim burner cooks at a low 450 BTU to delicately simmer even the most sensitive sauces or melt chocolate by evenly spreading the flame across the bottom of the pot to help prevent scorching.



Triple-element burners

The burners are available in 5"/7"/9" and 6"/9"/12" configurations, and are designed to efficiently accommodate a wide variety of cookware without wasting energy unnecessarily.

Good Housekeeping Seal

All Bosch slide-in ranges are backed by the Good Housekeeping Seal—a two-year limited warranty.



Concealed bake element

The oven cavity floor hides an 8-pass bake element, offering maximized heat distribution for more even cooking. Since the element is not exposed, you get more usable space for that extra sheet of chocolate chip cookies. Flexibility doesn't stop here since the hidden bake element also makes for the easiest way to clean the inside of your oven.



Meat probe

Our built-in automatic meat temperature probe will allow you to cook more accurately and enjoy perfect meals all the time. When foods reach the preset internal temperature, the oven beeps and turns itself off—giving you optimal temperature control. And by not overcooking, your food also maintains its nutritional value. Food tastes better, and you eat healthier.

Warming zone

100-watt warming zone—perfect for keeping food ready to serve or prewarming dishes.



Genuine European Convection w/ACS

This feature offers a powerful 1,100-watt third heating element that surrounds the convection fan, circulating preheated air throughout the oven. By optimizing heat circulation within the oven cavity, our Advanced Circulation System (ACS) allows food to be cooked more evenly in up to 30% less time.



Convection oven

360° cooking saves time and energy. A fan provides even heat distribution throughout the cavity for superior cooking results.

Full-meal cooking

Thanks to our large capacity and Genuine European Convection, you can cook a feast in your oven. Furthermore, the convection technology prevents fusion of flavors. So your cherry pie won't taste like garlic potatoes, and your pork roast will taste like...pork roast. You're only limited by your imagination.



Convenience



Telescopic rack

With our convenient, full-extension telescopic rack, you can easily view, check and baste your dishes without having to reach into the oven. Our rack glides smoothly and easily, extending fully over the open oven door—even when holding up to 35 pounds. Plus it fits any of our six rack positions and is removable for easy cleanup.



Bridge element

Connects two burners, creating an elongated cooking surface for larger, oval-shaped pans.

Optimized burner spacing

We've revolutionized cooktop design with our unique burner spacing, which offers enhanced versatility. In addition to the PowerSim® burner, our cooktop has a true-simmer rear burner that is offset to the right—ultimately providing more space for larger pots, while leaving plenty of room for your creativity and cooking prowess.



Oval burner

Oval-shaped burner in the center of the cooktop heats food evenly across a large area. Perfect for your griddle or other oversized cookware.



Large warming drawer

With three electronically controlled temperature settings ranging from 140° to 220°F, our stainless steel warming drawer gives you a choice of options for ideal warming temperatures. While it smoothly glides on steel ball bearings, the drawer fully extends for easy access to its 1.3 cubic feet of usable space.

Slide-in Range Specifications



Dual-fuel



Dual-fuel



Electric

	700 Series		700 Series		700 Series	
Model Numbers	HDI7282U	Stainless Steel Pro	HDI7052U	Stainless Steel	HEI7282U	Stainless Steel Pro
Appearance	True Hidden Bake Element		True Hidden Bake Element		True Hidden Bake Element	
	Metal Finish Knobs				Metal Finish Knobs	
	ClearTouch® Electronic Oven Controls		ClearTouch® Electronic Oven Controls		ClearTouch® Electronic Oven Controls	
	Stainless Steel Framed Cooktop		Stainless Steel Framed Cooktop		Stainless Steel Framed Cooktop	
	Stainless Steel Cooktop Control Panel				Stainless Steel Cooktop Control Panel	
Convenience	Push-to-Turn Knobs		Push-to-Turn Knobs		Push-to-Turn Knobs	
	Full-extension Telescopic Rack				Full-extension Telescopic Rack	
	Touch & Turn® Electronic Oven Control with Eight Cooking Modes		Touch & Turn® Electronic Oven Control with Eight Cooking Modes		Touch & Turn® Electronic Oven Control with Eight Cooking Modes	
	Continuous Grates—Effortlessly Move Pots and Pans. Easy to Clean.		Continuous Grates—Effortlessly Move Pots and Pans. Easy to Clean.			
	Sealed Burners Prevent Spills From Entering the Burner Box		Sealed Burners Prevent Spills From Entering the Burner Box			
	Integrated Warming Drawer				Integrated Warming Drawer	
	Temperature Probe with Automatic Switch-off				Temperature Probe with Automatic Switch-off	
	Star-K Certified		Star-K Certified		Star-K Certified	
Performance	4.6 cu. ft. Capacity		4.6 cu. ft. Capacity		4.6 cu. ft. Capacity	
	Convection Assisted Self-Cleaning Oven		Convection Assisted Self-Cleaning Oven		Convection Assisted Self-Cleaning Oven	
	Genuine European Convection with Advanced Circulation System (ACS)		Genuine European Convection with Advanced Circulation System (ACS)		Genuine European Convection with Advanced Circulation System (ACS)	
	Power Burner—Quick Heating with 16,000 BTU		Power Burner—Quick Heating with 16,000 BTU		12"/9" Dual Elements	
	PowerSim®—Quick Heating with Large Flame or Gentle Simmering with a Diffuser Cap		PowerSim®—Quick Heating with Large Flame or Gentle Simmering with a Diffuser Cap		9"/7"/5" Triple Elements	
	OptiSim®—Simmer Delicate Sauces without Scorching (400 BTU)		OptiSim®—Simmer Delicate Sauces without Scorching (400 BTU)		Extra Large 12" Element offers the Capability to use Multiple Pan Sizes	
Accessories	HEZ1060 Backsplash (Wall Installation)		HEZ1060 Backsplash (Wall Installation)		HEZ1060 Backsplash (Wall Installation)	



Electric

700 Series	
HEI7052U Stainless Steel	
True Hidden Bake Element	
ClearTouch® Electronic Oven Controls	
Stainless Steel Framed Cooktop	
Push-to-Turn Knobs	
Touch & Turn® Electronic Oven Control with Eight Cooking Modes	
Star-K Certified	
4.6 cu. ft. Capacity	
Convection Assisted Self Cleaning Oven	
Genuine European Convection with Advanced Circulation System (ACS)	
Bridge Element	
8"/5" Dual Elements	
HEZ1060 Backsplash (Wall Installation)	



Ranges



SP® approved.

Freestanding Range Specifications



Gas



Gas



Gas

	700 Series	700 Series	500 Series
Model Numbers	HGS7282UC Stainless Steel Pro	HGS7052UC Stainless Steel	HGS5L53UC Stainless Steel
Appearance	True Hidden Bake Element	True Hidden Bake Element	True Hidden Bake Element
	Metal Finish Knobs	Black Knobs	Metal Finish Knobs
	ClearTouch® Electronic Oven Controls	ClearTouch® Electronic Oven Controls	
	Stainless Steel Cooktop	Stainless Steel Cooktop	
	Stainless Steel Cooktop Control Panel		Stainless Steel Cooktop Control Panel
Convenience	Low Profile Grates	Low Profile Grates	Design Fits to Bosch Family Look – Recommended Companion to other Bosch 500 Series Products
	Push-to-Turn Knobs	Push-to-Turn Knobs	Push-to-Turn Knobs
	Full-extension Telescopic Rack plus Two Regular Racks with Six Different Rack Positions for All Cooking Needs	Three Racks and Six Different Rack Positions Adjust for All Cooking Needs	Two Racks and Six Different Rack Positions Adjust for All Cooking Needs
	Touch & Turn® Electronic Oven Control with Eight Cooking Modes	Touch & Turn® Electronic Oven Control with Eight Cooking Modes	
	Continuous Grates—Effortlessly Move Pots and Pans. Easy to Clean.	Continuous Grates—Effortlessly Move Pots and Pans. Easy to Clean.	Continuous Grates—Effortlessly Move Pots and Pans. Easy to Clean.
	Easy to Clean Sealed Burners—Provide Excellent Cleanability in Case of Spill Overs	Easy to Clean Sealed Burners—Provide Excellent Cleanability in Case of Spill Overs	Easy to Clean Sealed Burners—Provide Excellent Cleanability in Case of Spill Overs
	Integrated Warming Drawer	Integrated Warming Drawer	
	Temperature Probe with Automatic Switch-off		
Performance	Star-K Certified	Star-K Certified	Wide View Oven Window—Extra Large Window Provides Easy Viewing of Your Food
	5.1 cu. ft. Capacity	5.1 cu. ft. Capacity	5.0 cu. ft. Capacity
	Convection Assisted Self-Cleaning Oven	Self Clean	Self Clean Cycle Saves Time. Quickly and Easily Cleans your Oven
	Genuine European Convection with Advanced Circulation System (ACS)	Genuine European Convection with Advanced Circulation System (ACS)	Convection Saves Time and Energy – Fan Provides Even Heat Distribution Throughout the Cavity for Superior Cooking Results
	Power Burner—Quick Heating with Powerful 16,000 BTU	Power Burner—Quick Heating with Powerful 16,000 BTU	Power Burner—Quickly Heating with Powerful 17,000 BTU
	PowerSim®—Quick Heating with Large Flame or Gentle Simmering with a Diffuser Cap	PowerSim®—Quick Heating with Large Flame or Gentle Simmering with a Diffuser Cap	
	OptiSim®—Simmer Delicate Sauces without Scorching (400 BTU)		500-BTU Simmer Burner—Easily Heat Delicate Sauces without Scorching or Burning
			Five Burner Gas Ranges—Offers the Maximum Burner Performance and Ultimate Cooking Flexibility
		Oval Shaped Burner—Evenly Heat Your Griddle or Other Specialty Shaped Cookware	
Accessories			



*Products noted were selected by Consumers Digest Best Buy for outstanding value based on performance, features and durability.



Gas



Gas

500 Series		300 Series	
HGS5053UC	Stainless Steel	HGS3053UC HGS3063UC HGS3023UC	Stainless Steel Black White
Hidden Bake Element		Hidden Bake Element	
Black Knobs		Black Knobs	
Design Fits to Bosch Family Look—Recommended Companion to Other Bosch 500 Series Products		Design Fits to Bosch Family Look—Recommended Companion to Ascenta® Dishwasher, or other Bosch 300 Series Products	
Push-to-Turn Knobs		Push-to-Turn Knobs	
Two Racks and Six Different Rack Positions Adjust for All Cooking Needs		Two Racks and Six Different Rack Positions Adjust for All Cooking Needs	
Continuous Grates—Effortlessly Move Pots and Pans. Easy to Clean.		Continuous Grates—Effortlessly Move Pots and Pans. Easy to Clean.	
Easy to Clean Sealed Burners—Provide Excellent Cleanability in Case of Spill Overs		Easy to Clean Sealed Burners—Provide Excellent Cleanability in Case of Spill Overs	
Wide View Oven Window—Extra Large Window Provides Easy Viewing of Your Food		Wide View Oven Window—Extra Large Window Provides Easy Viewing of Your Food	
5.0 cu. ft. Capacity		5.0 cu. ft. Capacity	
Self Clean Cycle Saves Time. Quickly and Easily Cleans your Oven		Self Clean Cycle Saves Time. Quickly and Easily Cleans your Oven	
Convection Saves Time and Energy—Fan Provides Even Heat Distribution Throughout the Cavity for Superior Cooking Results			
Power Burner—Quick Heating with Powerful 16,000 BTU		Power Burner—Quick Heating with Powerful 14,000 BTU	
500 BTU Simmer Burner—Easily Heat Delicate Sauces without Scorching or Burning		500 BTU Simmer Burner—Easily Heat Delicate Sauces without Scorching or Burning	
Five-burner Gas Ranges—Offers the Maximum Burner Performance and Ultimate Cooking Flexibility		Five-burner Gas Ranges—Offers the Maximum Burner Performance and Ultimate Cooking Flexibility	
Oval-shaped Bridge Burner—Evenly Heat Your Griddle or Other Specially-shaped Cookware			
HEZ1090 LP Conversion Kit		HEZ1090 LP Conversion Kit	

Ranges



Freestanding Range Specifications



Dual-fuel



Dual-fuel



Electric

	700 Series		700 Series		700 Series	
Model Numbers	HDS7282U	Stainless Steel Pro	HDS7052U	Stainless Steel	HES7282U	Stainless Steel Pro
Appearance	True Hidden Bake Element				True Hidden Bake Element	
	Metal Finish Knobs		Black Knobs		Metal Finish Knobs	
	ClearTouch® Electronic Oven Controls		ClearTouch® Electronic Oven Controls		ClearTouch® Electronic Oven Controls	
	Stainless Steel Cooktop		Stainless Steel Cooktop		Stainless Steel Cooktop Control Panel	
	Stainless Steel Cooktop Control Panel				Stainless Steel Framed Cooktop	
	Low Profile Grates		Low Profile Grates			
Convenience	Push-to-Turn Knobs		Push-to-Turn Knobs		Push-to-Turn Knobs	
	Full-extension Telescopic Rack		Three Racks and Six Different Rack Positions Adjust for All Cooking Needs		Full-extension Telescopic Rack plus Two Regular Racks with Six Different Rack Positions for All Cooking Needs	
	Touch & Turn® Electronic Oven Control with Eight Cooking Modes		Touch & Turn® Electronic Oven Control with Eight Cooking Modes		Touch & Turn® Electronic Oven Control with Eight Cooking Modes	
	Continuous Grates—Effortlessly Move Pots and Pans. Easy to Clean.		Continuous Grates—Effortlessly Move Pots and Pans. Easy to Clean.			
	Easy to Clean Sealed Burners—Provide Excellent Cleanability in Case of Spill Overs		Sealed Burners Prevent Spills From Entering the Burner Box			
	Integrated Warming Drawer		Integrated Warming Drawer		Integrated Warming Drawer	
	Temperature Probe with Automatic Switch-off				Temperature Probe with Automatic Switch-off	
	Star-K Certified		Star-K Certified		Star-K Certified	
Performance	4.6 cu. ft. Capacity		4.6 cu. ft. Capacity		4.6 cu. ft. Capacity	
	Self Clean		Self Clean		Convection Assisted Self Cleaning Oven	
	Genuine European Convection with Advanced Circulation System (ACS)		Genuine European Convection with Advanced Circulation System (ACS)		Genuine European Convection with Advanced Circulation System (ACS)	
	Power Burner—Quick Heating with Powerful 16,000 BTU		Power Burner—Quick Heating with Powerful 16,000 BTU		12"/9" Dual Elements	
	PowerSim®—Quick Heating with Large Flame or Gentle Simmering with a Diffuser Cap		PowerSim®—Quick Heating with Large Flame or Gentle Simmering with a Diffuser Cap		9"/7"/5" Triple Elements	
	OptiSim®—Simmer Delicate Sauces without Scorching (400 BTU)		OptiSim®—Simmer Delicate Sauces without Scorching (400 BTU)		Extra Large 12" Element offers the Capability to use Multiple Pan Sizes	
Accessories			n/a		n/a	



Electric



Electric

700 Series		500 Series	
HES7052U	Stainless Steel	HES5L53U	Stainless Steel
True Hidden Bake Element		True Hidden Bake Element	
Black Knobs		Metal Finish Knobs	
ClearTouch® Electronic Oven Controls		Stainless Steel Cooktop Control Panel	
Stainless Steel Framed Cooktop			
Push-to-Turn Knobs		Push-to-Turn Knobs	
Two Racks and Six Different Rack Positions Adjust for All Cooking Needs			
Touch & Turn® Electronic Oven Control with Eight Cooking Modes		Two Racks and Six Different Rack Positions Adjust for All Cooking Needs	
Integrated Warming Drawer			
Star-K Certified			
4.6 cu. ft. Capacity		5.4 cu. ft. Capacity	
Convection Assisted Self Cleaning Oven		Self Clean Cycle Saves Time. Quickly and Easily Cleans your Oven	
Genuine European Convection with Advanced Circulation System (ACS)		Convection Saves Time and Energy – A Fan Provides Even Heat Distribution Throughout the Cavity for Superior Cooking Results	
Bridge Element		Power Element—Quick Heating with Powerful 3,000 Watt Element	
8"/5" Dual Elements			
		Extra Large 12" Element Offers the Capability to Use Multiple Pan Sizes	
		100 Watt Warming Zone—Perfect for Keeping Food Ready to Serve or Prewarming Dishes	
		Dual Elements Offer the Capability to use Multiple Pan Sizes	
Bridge Element			
n/a		n/a	

Ranges



Freestanding Range Specifications



Electric



Electric

	500 Series	300 Series
Model Numbers	HES5053U Stainless Steel	HES3053U Stainless Steel HES3063U Black HES3023U White
Appearance	Hidden Bake Element for Improved Cleanability Black Knobs	Hidden Bake Element for Improved Cleanability Design Fits to Bosch Family Look – Recommended Companion to Ascenta® Dishwasher or other Bosch 300 Series Products
Convenience	Push-to-Turn Knobs Two Racks and Seven Different Rack Positions Adjust for All Cooking Needs	Push-to-Turn Knobs Two Racks and Seven Different Rack Positions Adjust for All Cooking Needs
	Wide View Oven Window—Extra large Window Provides Easy Viewing of Your Food	Wide View Oven Window—Extra Large Window Provides Easy Viewing of Your Food
Performance	5.4 cu. ft. Easily Capacity Self Clean Cycle Saves Time. Quickly and Easily Cleans your Oven Convection Saves Time and Energy—A Fan Provides Even Heat Distribution Throughout the Cavity for Superior Cooking Results Power Element—Quick Heating with Powerful 2,700 Watt Element Extra Large 12" Element Offers the Capability to Use Multiple Pan Sizes 100 Watt Warming Zone—Perfect for Keeping Food Ready to Serve or Prewarming Dishes Dual Element Offers the Capability to use Multiple Pan Sizes	5.4 cu. ft. Capacity Self Clean Cycle Saves Time, Quickly and Easily Cleans your Oven Power Element—Quick Heating with Powerful 2,500 Watt Element 12"/9" Dual Elements Dual Element Offers the Capability to Use Multiple Pan Sizes
Accessories	n/a	n/a

Colors



Stainless Steel Pro
(HES7282U Model Shown)



Stainless Steel
(HES5053U Model Shown)



Black
(HES3063U Model Shown)



White
(HES3023U Model Shown)





Ranges



SP approved.



We vent, so you don't have to. When you cook, you want things to be perfect. You don't want to be bothered by the hum of a loud vent. That's why we design our ventilation systems to work as quietly as possible. So you can talk while putting together your next masterpiece. Or so you can concentrate on that soufflé, instead of that bothersome hum. Whisper-quiet and very effective, they give your kitchen extra style and a lot more room to breathe.



Ventilation

Wall | Island | Custom Insert | Downdraft

Every meal now comes with a breath of fresh air.

Bosch's super-efficient, high-performance ventilation products literally freshen the air. Capable of up to 600 CFM, they quickly remove steam, odors, grease and smoke, without adding any distracting noise. As superbly designed as they are quiet, every Bosch ventilation system perfectly complements any Bosch cooktop or range.



Quality

Your meal should be memorable, not its odor. With Bosch's line of quiet, efficient, high-quality ventilation products, you can quickly remove steam, odors, grease and smoke, improving your home's overall air quality.

Performance

Steam, smoke, grease odors—nothing resists our efficient ventilation systems. With four-speed fans, dual blowers and a wide CFM range, you can adjust the fan to the desired amount of exhaust power. And all this power almost goes unnoticed because our hoods are also quiet. Extremely quiet.

Quietness

The sound you don't hear might just be cleaning your air. All of our ventilation products are designed to be extraordinarily quiet. With products as quiet as 53 dBA, our powerful dual-inlet blowers operate at a whisper.



Wall

Whether you prefer under-cabinet or chimney-style ventilation, we offer a complete line of stylish wall hoods with varying CFM levels so you can choose the one that is right for you.

Model shown left, above: DKE9305AUC, DPH30652UC



Island

Flaunting crisp lines and glass accents, our island hood offers an aesthetically pleasing, sophisticated design that matches the rest of your kitchen.

Custom insert

Our new flush-fitting custom insert hoods are designed with minimalist styling that makes them barely visible. And their powerfully quiet fans make them barely audible.

Downdraft

The perfect solution for very high ceilings, island installation or simply lack of space, our downdraft rises from behind your cooktop. A rise of over 13" allows for efficient capture of steam and smoke. Available recirculation kit allows venting through the toe-kick of the cabinet.

Model shown below left: DHL755BUC

Model shown above: DIE165RUC

Model shown below right: DHD3014UC



Wall Hood Specifications



Under-cabinet



Under-cabinet



Under-cabinet

	800 Series		500 Series		300 Series	
Model Numbers	DPH36652UC DPH30652UC	36" Stainless Steel 30" Stainless Steel	DUH36252UC DUH30252UC	36" Stainless Steel 30" Stainless Steel	DUH36152UC DUH30152UC	36" Stainless Steel 30" Stainless Steel
Appearance	Brushed Stainless Steel Finish Professional Design		Brushed Stainless Steel Finish		Brushed Stainless Steel Finish	
Convenience	Top or Rear Venting Options Two Incandescent Lights Dishwasher-safe Mesh Filters Recirculation Option Available Easy-to-Use Controls		Top or Rear Venting Options Two Halogen Lights Dishwasher-safe Mesh Filters Ducted or Non-Ducted Options Easy-to-Use Rotary Control		Top or Rear Venting Options Two Incandescent Lights Dishwasher-safe Mesh Filters Ducted or Non-Ducted Options Easy-to-Use Rotary Control	
Performance	600 CFM Blower Included Quickly and Quietly Clears the Air of Smoke and Odor Two Power Levels		400 CFM Blower Included Quickly and Quietly Clears the Air of Smoke and Odor Four Power Levels		280 CFM Blower Included Quickly and Quietly Clears the Air of Smoke and Odor Three Power Levels	
Accessories	DRZ3652UC	Recirculation Kit	DHZ3602UC	36" Charcoal Filter	DHZ3602UC	36" Charcoal Filter
	DHZ3052UC	Charcoal Filter	DHZ3002UC	30" Charcoal Filter	DHZ3002UC	30" Charcoal Filter



Glass Canopy



Canopy



Pyramid-style Canopy

800 Series		500 Series		300 Series	
DKE9665PUC DKE9605PUC	36" Stainless Steel 30" Stainless Steel	DKE9465MUC DKE9405MUC	36" Stainless Steel 30" Stainless Steel	DKE9365AUC DKE9305AUC	36" Stainless Steel 30" Stainless Steel
Brushed Stainless Steel Finish		Brushed Stainless Steel Finish		Brushed Stainless Steel Finish	
Sophisticated Glass Canopy				Pyramid-style Canopy	
Wall or Ceiling Mounted Chimney Hood				Wall Mounted Chimney Hood	
Two Halogen Lights		Two Halogen Lights		Two Incandescent Lights	
Dishwasher-safe Mesh Filters		Dishwasher-safe Mesh Filters		Dishwasher-safe Mesh Filters	
Recirculation Option Available		Recirculation Option Available			
Seven-segment Digital Display		Seven-segment Digital Display		Slide-Switch Control	
Adjustable Chimney		Adjustable Chimney		Adjustable Chimney	
600 CFM Blower Included		600 CFM Blower Included		400 CFM Blower Included	
Quickly and Quietly Clears the Air of Smoke and Odor		Quickly and Quietly Clears the Air of Smoke and Odor		Quickly and Quietly Clears the Air of Smoke and Odor	
Four Power Levels		Four Power Levels		Three Power Levels	
Whisper-quiet at 54 dBA		Whisper-quiet at 53 dBA		Whisper-quiet at 58 dBA	
DRZ94UC	Recirculation Kit	DRZ94UC	Recirculation Kit		
DHZ9600UC	11-ft. Chimney Extension	DHZ9400UC	11-ft. Chimney Extension	DHZ9300UC	11-ft. Chimney Extension

Ventilation



Island Hood, Custom Insert Hood and Downdraft Specifications



Glass Canopy Island Hood



Custom Insert Hood



Downdraft

	Glass Canopy Island Hood		Custom Insert Hood		Downdraft	
Model Numbers	DIE165RUC	40" Stainless Steel	DHL755BUC	29" Metallic	DHD3614UC DHD3014UC	36" Stainless Steel 30" Stainless Steel
Appearance	Brushed Stainless Steel Finish					
	Sophisticated Glass Canopy				Stands Over 13" Tall—Lowers Out of Sight When Not in Use	
	Ceiling Mounted Chimney Hood		Wall or Island Installations—Up to 36" Wide		Wall or Island Installations	
Convenience					Can be Ducted Left, Right, or Straight Down	
	Four Halogen Lights with Dimmer		Two Halogen Lights			
	Dishwasher-safe Mesh Filters		Dishwasher-safe Mesh Filters		Dishwasher-safe, Full Face Mesh Filters	
					Recirculation Option Also Available	
	Seven-segment Digital Display—Two Control Panels for Easy Access from Around an Island		Slide-Switch Control			
	Adjustable Chimney					
Performance	600 CFM Blower Included		400 CFM Blower Included		600 CFM Blower Options (Sold Separately)	
	Quickly and Quietly Clears the Air of Smoke and Odor		Quickly and Quietly Clears the Air of Smoke and Odor		Quickly and Quietly Clears the Air of Smoke and Odor	
	Four Power Levels		Four Power Levels		Three Power Levels	
	Additional Insulation for Extremely Quiet Operation					
Accessories	n/a		n/a		DHDRM36UC Recirculation Kit	
					DHG601DUC 600 CFM Internal Blower	
					DHG6015DUC 600 CFM Inline Blower	
					DHG6023UC 600 CFM Remote Blower	
					DHZDHR6 Transition for Remote and Inline Blowers Installation	



Ventilation





You might say we're redefining cool. Just like the perfect meal that uses only the best ingredients, every Bosch refrigerator is built using only the finest materials. With seamless design and numerous counter-depth options, our line is filled with stunning features that convey a stylish, built-in look for your kitchen. And with available VitaFresh® technology, you can keep perishable produce for up to twice as long as you can with conventional refrigeration. It's just one more reason why our refrigerators are a perfect part of the ultimate kitchen.

Refrigeration

Built-in French Door | Standard-depth French Door |
Counter-depth Side-by-side



Fall in love with the tall, silent, efficient type.

Built-in French door refrigerators

French door refrigerators meet German engineering. Custom-fit, completely flush with your cabinetry and roomy enough for almost any sized family, these stylish Bosch refrigerators redefine Continental cool. While you'll first notice how well Bosch preserves your dairy and produce, what you might not notice is its hidden hinges and exhaust grille that adds a subtle design element to your kitchen. It's what happens when German engineering balances form and function.



Framed



Flush

Food preservation



Dual evaporator and dual compressor

Innovative Bosch technology that has separate compressors and evaporators for the refrigerator and freezer sections prevents the transfer of odors and provides improved humidity levels for better food preservation.

Temperature-controlled deli drawer

This drawer is designed for optimal storage of meats and cheeses—giving you plenty of space to store—and see your food items.

Style

Framed or flush design

Either way, you get a very flexible, functional refrigerator and a smart look. With a fully flush installation, the refrigerator is lined up exactly with your cabinets, providing a sleek appearance. The framed installation makes for a classic built-in, semi-flush design that works with 24"-depth cabinetry.

OptiFlex® hinge

Designed to open out and away from the cabinetry, this ingenious hinge construction allows doors to be mounted flush, yet open to 115°, without touching or nicking surrounding cabinets.

Extra-tall doors

Our doors extend all the way up to the top of the unit, so all you see is stainless steel with a fully integrated French door that has no visible hinges or exhaust grille.



Convenience



Pre-assembled system

Bosch Integra® is now simpler and faster to install than ever before. All Bosch French door refrigerators come with stainless steel panels and handles pre-assembled.

Ice bin

The new and improved ice bin has been redesigned for maximum ice production and storage.

Full-extension drawers

Even with the door open at a 90-degree angle, Bosch refrigerators feature fully extendable drawers and the conveniences of easy access to your food.

Standard-depth French door refrigerator

Preserving freshness is the most important function for refrigeration. At Bosch, we thought about how we could make it better by automatically keeping food fresher, longer. Available only on the Bosch French door refrigerator, VitaFresh™ works to protect the flavor, texture, and appearance of food. By keeping fruits and vegetables at the perfect humidity and temperature—we help preserve food budgets almost as well as food.

Food preservation



VitaFresh™

At Bosch we know about maintaining the right balance of temperature and humidity for your food. Unlike other refrigerators that just keep things cold, smart VitaFresh technology maintains the optimal temperature and humidity levels automatically without making you guess the right settings for your produce—allowing it to stay fresher, longer. VitaFresh drawers provide a no-fuss solution to the challenge of optimal food storage.

Directional air flow system

An ingenious airflow system utilizing a special ventilation channel allows air to pass over and around the produce drawers. This keeps temperatures at a consistent, ideal level for the contents within. And keeps your food well chilled and even better preserved.

Automatic humidity control

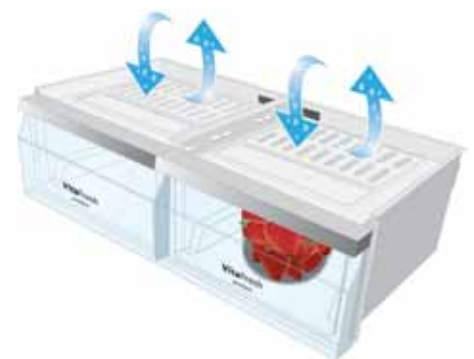
This unique lining maintains the ideal humidity for all types of produce by regulating how much or how little moisture is required for the produce stored in the drawers, keeping foods crisp, healthy and delicious.



Retains up to **20% more moisture content** than conventional refrigerators*

Retains up to **14% more Vitamin C** than conventional refrigerators*

Extends storage life up to **two times longer** than conventional refrigerators*



*VitaFresh results are based on an independent study performed against Bosch conventional refrigerators.

Efficiency

ENERGY STAR® qualified

With the efficient features you expect from Bosch, this refrigerator is ENERGY STAR® qualified—which keeps energy costs low while providing superior performance.



EcoControl

Saves energy with easily accessible exterior controls. Independently change the refrigerator and freezer settings without ever opening the refrigerator or freezer drawer.



Style

Hidden hinges

The hidden door hinges present uninterrupted stainless steel luxury while providing sturdy support and smooth, easy opening.



All-level LED lighting

The interior of the Bosch French door refrigerator glows with fully integrated LED lighting: lighting from above for the overall interior of the refrigerator, in the VitaFresh™ drawers, in the deli drawer, and in the freezer drawer.

Gallon door bins

Milk and other oversized items are placed in the large adjustable gallon door bins, freeing up space on the shelves for additional storage.

Ice and water dispenser

Frameless ice and water dispenser provides pure, cold, filtered water plus crushed and cubed ice. Its sleek design includes seamlessly integrated SteelTouch™ controls.



SteelTouch™ controls

The controls—incredibly responsive with sharp stainless steel minimalist design—make temperature adjustments and other features accessible at the touch of a finger.

Counter-depth side-by-side refrigerators

The Bosch Linea® counter-depth refrigerator is perhaps the most attractive combination of convenient technology, superior food preservation and intelligent design ever made. With its polished design, easy installation and a variety of convenient features, Linea is more than just a beautiful face.

Food preservation



Dual evaporator

No one wants their ice cream to taste like fish.

Thanks to innovative Bosch technology, which has a separate evaporator for the refrigerator and freezer compartments, this isn't a problem. Dual evaporators not only prevent the transfer of flavors, they also optimize humidity for improved freshness.



AirFresh Filter®

This activated carbon air filter helps food retain its flavor and keeps ice tasting fresh. To save space, the filter is built into the vents that circulate air through the refrigerator several times per hour, helping clean the air of any unwanted odors.



FreshProtect™ Box

Cool, tailor-made solutions for fish, meat, produce or dairy products. The precise temperature settings—31°F, 34°F or 37°F—help food stored in the FreshProtect Box stay fresh longer. The drawer extends smoothly on telescopic rails and has a net capacity of five gallons. Independent of the remaining refrigerator section, the temperature is set via the control panel on the door exterior.



Efficiency

ENERGY STAR® qualified

Every Bosch refrigerator is ENERGY STAR® qualified. With efficient features, such as an alarm indicating the door is ajar, Vacation Mode and Economy Mode, Bosch can significantly reduce your energy bills.

EcoControl

Saves energy with easily accessible outside controls. Independently change the refrigerator, freezer and FreshProtect Box without ever opening the refrigerator doors.



Convenience



EasyLift™ shelves and door bin

Is the cake platter too tall?

Simply lower or raise shelves without unloading and removing them.

Ice and water dispenser

This advanced filling station dispenses water, crushed ice and ice cubes. Use the QuickIce function when entertaining large groups. A water filter ensures the freshest tasting water and an exceptionally bright LED light makes filling a small glass or an oversized pitcher easier than ever.



CoolGlow™ LED interior lighting

A star performance behind closed doors. The interior of the Linea 800 Series shines with exceptionally bright LED lighting for easier viewing. Nothing will be overlooked or forgotten in this brightly illuminated refrigerator.

CoolPaks™

CoolPaks are made to keep food and beverages cold while in a cooler. The two reusable CoolPaks will keep a 10-quart cooler chilled, and they can even keep your refrigerator cool during power outages! An added bonus: CoolPaks conveniently store in their own compartment in the freezer door.

Built-in French Door Refrigeration Specifications



Interior



	800 Series with Flush Design	800 Series with Framed Design
Model Numbers	B36ET71SNS Stainless Steel	B36IT71SNS Stainless Steel w/Frame
Appearance	<p>Unique Flush Design Offers Ultimate Seamless Integration</p> <p>OptiFlex® Hinge</p>	<p>Unique Framed Design Offers the Ultimate Built-in Look</p> <p>OptiFlex® Hinge</p>
Performance	<p>Dual Refrigeration System with Two Compressors and Two Evaporators for Best Humidity/Temperature and No Odor Transfer</p> <p>Deli Drawer for the Best Food Storage of Fish, Meat and Vegetables</p> <p>Electronic Sensor Controls—Keep Temperatures Consistent so Food Stays Fresh No Matter Where it is Stored</p> <p>SuperCool™—Quickly Balances Temperatures Between Cool Items and Newly Placed Goods</p> <p>SuperFreeze™—Quickly Balances Temperatures Between Frozen Items and Newly Placed Goods</p>	<p>Dual Refrigeration System with Two Compressors and Two Evaporators for Best Humidity/Temperature and No Odor Transfer</p> <p>Deli Drawer for the Best Food Storage of Fish, Meat and Vegetables</p> <p>Electronic Sensor Controls—Keep Temperatures Consistent so Food Stays Fresh No Matter Where it is Stored</p> <p>SuperCool™—Quickly Balances Temperatures Between Cool Items and Newly Placed Goods</p> <p>SuperFreeze™—Quickly Balances Temperatures Between Frozen Items and Newly Placed Goods</p>
Convenience	<p>Pre-assembled with Stainless Steel Panels and Handles for Quick Installation</p> <p>MaxBright™ Lighting System—Provides Even Light Distribution and Brightens Entire Cavity for a Clearer Look</p>	<p>Pre-assembled with Stainless Steel Panels and Handles for Quick Installation</p> <p>MaxBright™ Lighting System—Provides Even Light Distribution and Brightens Entire Cavity for a Clearer Look</p>
Safety	Door Open Alarm—This Alarm Gently Notifies You when the Door is Left Ajar	Door Open Alarm—This Alarm Gently Notifies You when the Door is Left Ajar
Efficiency	<p>ENERGY STAR® Qualified</p> <p>Economy Mode</p> <p>Vacation Mode</p>	<p>ENERGY STAR® Qualified</p> <p>Economy Mode</p> <p>Vacation Mode</p>
Capacity	19.5 cu. ft.	19.5 cu. ft.

Freestanding French Door Refrigeration Specifications



Interior



800 Series	
Model Numbers	B26FT70SNS Stainless Steel
Appearance	Standard Depth
Performance	<p>VitaFresh™ Food Preservation System with Automatic Humidity and Temperature Control Keeps Food Fresher, Longer</p> <p>Multi-Flow Shower Cooling System – For Optimum, Uniform Cold Air Circulation</p> <p>SuperCool™ / SuperFreeze™</p> <p>QuickIce for Fast Ice Production</p>
Convenience	<p>All-level LED Lighting</p> <p>Frameless Exterior Ice and Water Dispenser with LED Illumination Serves Filtered Water, Crushed and Cubed Ice</p> <p>Hide-away Water Filter Maximizes Storage Capacity</p> <p>Gallon Door Storage Bins</p> <p>Adjustable Split-glass Shelving</p> <p>Spill-proof Glass Shelves</p> <p>Full-extension VitaFresh™ Drawers</p> <p>Full-size Deli Drawer</p> <p>Hidden Hinges</p>
Safety	<p>Door Open Alarm</p> <p>Dispenser Control Lock</p>
Efficiency	<p>ENERGY STAR® Qualified</p> <p>EcoControl Saves Energy with Accessible Exterior Controls</p>
Capacity	25.9 cu. ft.

Freestanding Side-by-Side Refrigeration Specifications



800 Series Interior



	800 Series	500 Series	300 Series
Model Numbers	B22CS80SNS Stainless Steel	B22CS50SNS Stainless Steel B22CS50SNW White	B22CS30SNS Stainless Steel
Appearance	Color-matched Sides Counter-depth	Color-matched Sides Counter-depth	Color-matched Sides Counter-depth
Performance	Dual Evaporator FreshProtect Box™—Three Adjustable Temperature Settings for Fish and Meat, Dairy or Produce Multi-Flow Shower Cooling System for Optimum, Uniform Cold Air Circulation SuperCool™/SuperFreeze™ Hide-away Water Filter Spill-proof Glass Shelves Touch Controls with LCD Display Hidden Hinges Long Door AirFresh Filter® QuickIce for Fast Ice Production	Dual Evaporator FreshProtect Box™—Three Adjustable Temperature Settings for Fish and Meat, Dairy or Produce Multi-Flow Shower Cooling System for Optimum, Uniform Cold Air Circulation SuperCool™/SuperFreeze™ Hide-away Water Filter Spill-proof Glass Shelves Touch Controls with LCD Display Hidden Hinges Long Door AirFresh Filter® QuickIce for Fast Ice Production	Dual Evaporator Humidity Controlled Drawer for Produce Multi-Flow Shower Cooling System for Optimum, Uniform Cold Air Circulation SuperCool™/SuperFreeze™ Hide-away Water Filter Spill-proof Glass Shelves Touch Controls with LED Display Hidden Hinges Long Door
Convenience	Frameless Exterior Ice and Water Dispenser CoolGlow™ LED Interior Lighting Deli Drawer Gallon Door Bins Full Extension Freezer Drawers Tilt-out Door Bins in Freezer Can Rack Bottle Rack CoolPaks™ for Ice Coolers are Conveniently Stored in their Own Compartment in the Freezer Door EasyLift™ Shelf EasyLift™ Door Bin	Frameless Exterior Ice and Water Dispenser Extra Bright Halogen Lighting Deli Drawer Gallon Door Bins Full Extension Freezer Drawers Tilt-out Door Bins in Freezer Can Rack Bottle Rack CoolPaks™ for Ice Coolers Are Conveniently Stored in Their Own Compartment in the Freezer Door EasyLift™ Shelf	Frameless Exterior Ice and Water Dispenser Extra Bright Lighting Deli Drawer Gallon Door Bins Full Extension Freezer Drawers Tilt-out Door Bins in Freezer
Safety	Door Open Alarm Dispenser Control Lock	Door Open Alarm Dispenser Control Lock	Door Open Alarm Dispenser Control Lock
Efficiency	ENERGY STAR® Qualified Economy Mode Vacation Mode	ENERGY STAR® Qualified Economy Mode Vacation Mode	ENERGY STAR® Qualified
Capacity	21.7 cu. ft.	21.7 cu. ft.	22.1 cu. ft.

Colors



Stainless Steel
(B22CS50SNS
Model Shown)



White
(B22CS50SNW
Model Shown)





Commitment to capacity. That's the thinking behind Bosch's German-engineered Axxis® washer and dryer. Even with its 24" width, stackable installation, and 60% less water and energy usage than the industry average, Bosch's Axxis can handle **up to 40 shirts in one load**. It's all part of our commitment to push the envelope of convenience and utility.

Compact Laundry



Quality

For 53 years, Bosch has engineered the world’s best washers, and has evolved into the leading manufacturer of European washers worldwide. Our success was built on our commitment toward producing washers with the highest standards in mind. And with 100% of our washers and dryers tested at our facilities, it’s no wonder that Bosch has won numerous accolades for their superior quality and value.

German-engineered, global know-how

Take one look at a Bosch laundry appliance and you’ll see that it’s unique in its design quality. From the shape of its glass door to the rubber seal and revolutionary structure of its drum, every Bosch laundry machine is precisely crafted from the very best materials.



One-piece stainless steel drum

The high-quality one-piece drum in Bosch washers and dryers protects your fabrics and extends the life of



your clothes.



Touch Controls

Bosch’s European-size laundry units are extremely easy to use, thanks to their convenient Touch Controls. These controls are incredibly responsive and easily activate with just the touch of a button.

ENERGY STAR® qualified

Bosch clothes washers are ultra-efficient. In fact, they exceed ENERGY STAR® requirements by up to 63%.

Good Housekeeping Seal

Bosch washers and dryers are backed by the Good Housekeeping Seal, which provides an independent two-year limited warranty.



Convenience

Combining simple installation with a compact form, Bosch gives you the option to place your washer anywhere in your home. With no ducting requirements, Bosch gives you the flexibility to place your washer in an area that's most convenient to you.



Condensation drying

Offering the latest technology on the market, condensation drying condenses the moisture in the hot air and releases it through the water drain. This way, no ducting and no blower are necessary to help expel hot air. This makes installation easy, fast and cost-effective.

Capacity

Even with our small footprint, our washer holds more than most. With a 17.6-pounds-per-load capacity, it easily fits up to 14 pairs of jeans in one load. Plus, an expansive viewing window and lightweight door make loading and unloading a snap.

Easy installation

You can stack or install your laundry appliances side by side, on a pedestal, in the closet or under the counter. Bosch washers and dryers offer endless installation possibilities, as you only need one electrical line to run both appliances.

Extra Fine Lint Filter

The wearing and washing of textiles causes lint which becomes detached during drying. The unique double walled extra fine lint filters reduce the amount of lint buildup inside machine and ensure greater wear comfort. It is also very easy to clean and maintenance.



WrinkleBlock®

Featuring advanced WrinkleBlock technology, our dryers ensures your clothes stay wrinkle-free in the dryer for up to two hours.

Performance

Leveraging our technological expertise, Bosch has created a washer line that performs at elite standards. And by utilizing features like customizable wash cycles, we're keeping our commitment toward efficiency and the environment.

Automatic wash system

Bosch understands your needs as they relate to common and specialty wash programs. We created a simple approach that allows you to quickly and easily select a cycle that automatically determines the weight of clothing and suds. The automatic wash system then

adjusts the water level, temperature and spin speeds to manage your cleaning tasks, and ensures that no extra water or energy is wasted. Of course, there may be occasion to override Bosch's programs, in which case you can customize your own program and command the machine's cycle yourself.

Intelligent drying system

An intelligent network of sensors ensure the perfect drying results by maintaining the exact drying temperature, monitoring moisture left in your clothes and preventing wrinkles before they start.





Raindrop-structured drum

Bosch washers feature an innovative raindrop drum pattern that delivers a tailored solution for all fabric types, for powerful cleaning that protects your clothes. Depending on the cycle, the washer adjusts the direction of the drum rotation, using the steeper edges for heavy duty or shallow edges for delicate fabrics that required gentler care.



Gentle drying

The design of the drum surface creates an air cushion between the textile and the drum, ensuring gentle results.



Quiet operation

The 3D sensors in Bosch washers monitor the load weight and movement of the drum in three dimensions to eliminate extreme unbalances. Additionally, the circular pattern of the AntiVibration™ sidewalls reinforces its strength, making the drum much more stable. The result is up to 30% less vibration.

Wool Cycle

Special program with low spin speed, short program time and reduced temperature to safely clean your washable wool. Reduce you trips to dry cleaner—clothes come out beautifully and you can save time and money.

Sanitary Cycle

Using a thermostat-controlled, intelligent sensor for improved precision, this innovative cycle heats up to 161°F and maintains this temperature for three minutes. After killing 99% of most common household bacteria, the water temperature is reduced to prevent fabric breakdown.



Tailored washing programs

With up to 15 different tailored washer programs and up to 11 different tailored dryer programs, Bosch offers the flexibility and fabric care that specifically meet your everyday needs.



Installations as unique as your vision.

Bosch's deft, compact design gives you the versatility you want without sacrificing the utility you need. Whether you're looking for an avant-garde motif or simply extra space in your laundry room, Bosch's sleek look melts into any space.





Compact Washer Specifications



	Axxis® Plus Washer		Axxis® Washer	
Model Numbers	WAS24460UC	White	WAS20160UC	White
Appearance	Large Capacity on Compact Footprint		Large Capacity on Compact Footprint	
	15 Wash Cycles and Eight Wash Options		15 Wash Cycles and Six Wash Options	
	Large LED Display		Multi-Function Status LED	
	Advance Touch Control Technology		Advance Touch Control Technology	
	Stainless Steel Structured Drum		Stainless Steel Structured Drum	
Convenience	Wash Up to 17.6 lbs.		Wash Up to 17.6 lbs.	
	Stackable – Space Saving		Stackable – Space Saving	
	Washer Plugs into Dryer for Easy Installation		Washer Plugs into Dryer for Easy Installation	
	Large LED Display with Remaining Time		Multi-Function Status LED	
	End of Cycle Signal		End of Cycle Signal	
	Self-cleaning Detergent Dispenser		Self-cleaning Detergent Dispenser	
	24-hour Delay Start Timer			
Quiet Performance	Virtually silent: 56 dBA		Virtually silent: 56 dBA	
	3D Sensor Controls Imbalance		3D Sensor Controls Imbalance	
	AntiVibration Design Reduces Vibration by up to 30%		AntiVibration Design Reduces Vibration by up to 30%	
Performance	Unique Raindrop Drum Pattern for Powerful Cleaning that Protects Clothes		Unique Raindrop Drum Pattern for Powerful Cleaning that Protects Clothes	
	Up to 1200 rpm Maximum Spin Speed		Up to 1000 rpm Maximum Spin Speed	
	Five Spin Speed Settings/ Five Temperature Settings		Five Spin Speed Settings	
	Sensor-controlled Automatic Washing Programs		Sensor-controlled Automatic Washing Programs	
	Sanitary Cycle Heats Wash Water Up to 161° F		Sanitary Cycle Heats Wash Water Up to 161° F	
	KidsCare® Cycle Removes Toughest Stains with Ease		KidsCare® Cycle Removes Toughest Stains with Ease	
	Refresh Cycle Refreshes Loads Up to Four lbs.		Refresh Cycle Refreshes Loads Up to Four lbs.	
	Wool/Handwash Cycle		Wool/Handwash Cycle	
	Heavy Duty Option Targets the Toughest Stains		Heavy Duty Option Targets the Toughest Stains	
	Reduced Ironing Option		Reduced Ironing Option	
	Rinse Plus Option Improved Rinsing		Rinse Plus Option Improved Rinsing	
	Sport Wear Cycle			
	Quick Wash Cycle for Small Light-soil Loads			
	Dark Color Cycle Prevents Fading			
Silk/Satin Cycle for Sensitive Fabric				
Efficiency	Energy Star® Qualified		Energy Star® Qualified	
	Exceed Energy Star® Requirements by up to 63%		Exceed Energy® Star Requirements by up to 63%	
	Advanced SensoTronic® II Plus Analyzes Washer for Appropriate Level and Temperature of Water		Advanced SensoTronic® II Plus Analyzes Washer for Appropriate Level and Temperature of Water	
	Internal Water Heater Heats Water Quickly and Efficiently		Internal Water Heater Heats Water Quickly and Efficiently	
Accessories	WTZ11310UC	White Stacking Kit	WTZ11310UC	White Stacking Kit
	WTZ11300UC	White Stacking Kit with Pull-out Tray	WTZ11300UC	White Stacking Kit with Pull-out Tray
	WTZ1640	AquaStop® Hose—Washer	WTZ1640	AquaStop® Hose—Washer

Compact Dryer Specifications



	Axxis® Condensation Dryer		Axxis® Vented Dryer	
Model Numbers	WTE86300US	White (Condensation)	WTV76100US/CN	White (vented)
Appearance	Large Capacity on Compact Footprint		Large Capacity on Compact Footprint	
	11 Drying Cycles and Four Drying Options		9 Drying Cycles and Two Drying Options	
	Multi-Function LED with Remaining Time		Multi-Function Status LED	
	Advance Touch Control Technology		Advance Touch Control Technology	
	One-piece Stainless Steel Structured Drum		One-piece Stainless Steel Structured Drum	
	See-thru Door		See-thru Door	
Convenience	Drying Up to 17.6 lbs. – Fits Up to 14 Pairs of Jeans in One Load		Drying Up to 17.6 lbs. – Fits Up to 14 Pairs of Jeans in One Load	
	Stackable – Space Saving and Easy Installation		Stackable – Space Saving and Easy Installation	
	Multi-Function LED with Remaining Time		Multi-Function Status LED	
	Extra Fine Lint Filter for Easy Cleaning and Maintenance		Extra Fine Lint Filter for Easy Cleaning and Maintenance	
	24-hour Delay Start Timer			
Quiet Performance	Virtually silent: 67 dBA		Virtually silent: 67 dBA	
Performance	Long-lasting One Piece Snag Free Stainless Steel Drum		Long-lasting One Piece Snag Free Stainless Steel Drum	
	Unique Structured Drum Pattern Creates an Air Cushion to Protect Your Clothes		Unique Structured Drum Pattern Creates an Air Cushion to Protect Your Clothes	
	118 CFM High Air Volume		110 CFM High Air Volume	
	Sensor-controlled Automatic Drying Programs		Sensor-controlled Automatic Drying Programs	
	Intelligent Sensors Prevent Overheating		Intelligent Sensors Prevent Overheating	
	Touch Up Cycle for Extreme Temperature-sensitive Fabrics (20 min.)		Touch Up Cycle for Extreme Temperature-sensitive Fabrics (20 min.)	
	40-minute Timed Program		40-minute Timed Program	
	Low Heat Option Reduces Heat on Specified Program		Low Heat Option Reduces Heat on Specified Program	
	Extended WrinkleBlock® Up to 120 min.		Extended WrinkleBlock® Up to 60 min.	
	Short Program for Small Loads			
	Easy Ironing Option			
	Wool Cycle for Machine-washable Woolen Textiles			
Efficiency	Intelligent Moisture Sensor Monitors the Drying Process to Preventing Wasted Energy and Overdrying		Electronic Moisture Sensor Monitors the Drying Process to Preventing Wasted Energy and Overdrying	
Accessories	WTZ11310UC	White Stacking Kit	WTZ11310UC	White Stacking Kit
	WTZ11300UC	White Stacking Kit with Pull-out Tray	WTZ11300UC	White Stacking Kit with Pull-out Tray

Accessories



Stacking Kit with Pull-out Tray
(WTZ11300UC Model Shown)



Stacking Kit
(WTZ11310UC Model Shown)



AquaStop® Hose – Washer
(WTZ1640 Model Shown)

Compact Laundry





Take it from our engineers, there's inspiration in that first cup of coffee. Whether you are looking for a beautifully stylish Bosch built-in coffeemaker to serve you your favorite cup of java in the morning or the amazingly versatile Tassimo, we take your taste—and your beans—seriously. Coffee, espresso, cappuccinos, lattes—take your pick, and we'll brew it with the touch of a button. Like our coffeemakers, the kitchen machine is another one of our small appliances that brings modern design and innovation to your kitchen.

Small Appliances

Coffee Machines | Kitchen Machines



It's your kitchen. It just smells like an Italian cafe.





Benvenuto® Built-in Coffee Machines

AromaSwirl®

This special system completely engulfs each coffee ground in hot water and then brews them in a pressurized chamber. The result is coffee made under perfect conditions.

Your brew, your way

By using the coffee selection knobs, you can choose the exact size and strength of beverage. Brewed for you, by you.

Choose your perfect grind

The Benvenuto® works equally well with whole beans or pre-ground coffee. You have complete control over the amount of coffee used for each cup, as well as the coarseness of the grind.

One-touch operation

The Bosch Benvenuto® is so simple, anyone can use it. You can start the entire brewing process with just the push of a button.

Tassimo Single-Serve Coffee Machines

Smart bar code scanner

Each T DISC has a unique bar code that the TASSIMO machine reads. It then adjusts the brew temperature and amount of water to makes the perfect cup every time.

Large variety of high-quality beverages

Tassimo is the only home brewing system that gives everyone exactly what they want. Creating the perfect caffè crema, espresso, coffee, latte, cappuccino, tea, and hot chocolate has never been easier.

Customized beverage strength

You can interrupt or extend the cycle of your coffee, cappuccino, latte, macchiato, hot chocolate or tea to your taste.

Flow-through water heater

Near-instant brewing the moment the machine is powered on means no pre-heat time. And when you're ready to enjoy another cup, there's virtually no wait time between beverages.

It does everything but cook the food.



Universal Kitchen Machines

Powerful motor function

800 watts of motor power and a 6.5-quart mixing bowl can handle up to 15 lb. of dough.

Mixing protection

Safety is important. The mixer is designed so it works only when the top is closed. Strong suction feet on the base add stability.

Dishwasher-friendly

All parts and accessories are safe for the dishwasher, and the removable axle makes it a lot easier to clean.

Optional blender

To add more versatility, like making frozen drinks, smoothies, milkshakes or a variety of sauces and dips, the blender is the perfect accompaniment.

Easy-on and -off accessories

From food processors perfect for chopping and mixing to meat grinders that allow you to grind and mince fresh meats, to noodle attachments that allow you to create pasta in a variety of shapes, our accessories can prepare food in almost every conceivable manner.

Small Appliances Specifications



	T65 Tassimo® Single-serve Coffee Machine	T45 Tassimo® Single-serve Coffee Machine	T20 Tassimo® Single-serve Coffee Machine
Model Numbers	T65 TAS6515UC Titanium	T45 TAS4515UC Silver T45 TAS4516UC Red	T20 TAS2001UC White T20 TAS2002UC Black T20 TAS2004UC Gray
Appearance	Space-saving Design in a Sophisticated Color	Space-saving Design in a Sophisticated Color	Space-saving Design in a Sophisticated Color
Convenience	<p>Fully Automatic One-button Operation</p> <p>Intelligent Drink Identification Bar Code Reader Identifies the Size of Drink, Brewing Time, and Precise Temperature to Make the Perfect Beverage</p> <p>Variable Drink Strength: Fully Automatic Brew Cycle Can Be Interrupted or Extended at Any Time</p> <p>Water Filtration System</p> <p>Multilingual LC Display – Guides Users Through All Functions and Service Steps in Five Languages</p> <p>Cup Light Stand – Lights Above the Cup Stand for Illumination</p>	<p>Fully Automatic One-button Operation</p> <p>Intelligent Drink Identification Bar Code Reader Identifies the Size of Drink, Brewing Time, and Precise Temperature to Make the Perfect Beverage</p> <p>Variable Drink Strength: Fully Automatic Brew Cycle Can Be Interrupted or Extended at Any Time</p> <p>Water Filtration System</p>	<p>Fully Automatic One-button Operation</p> <p>Intelligent Drink Identification Bar Code Reader Identifies the Size of Drink, Brewing Time, and Precise Temperature to Make the Perfect Beverage</p> <p>Variable Drink Strength: Fully Automatic Brew Cycle Can Be Interrupted or Extended at Any Time</p>
Performance	<p>Large Variety of High-quality Hot Beverages: Freshly Brewed Coffee, Espresso, Cappuccino, Latte Macchiato, Hot Chocolate or Tea Right Away</p> <p>Innovative Flow-Through Water Heater Ready to Go the Moment the Machine is Switched On and Virtually No Heat-up Time Between Drinks</p> <p>Low Energy Consumption – Automatically Reverts to Stand-by Mode after Every Brewing Cycle</p> <p>Only Brewer Using Real Milk</p> <p>Noise Reduction System Reduces Noise While Brewing</p>	<p>Large Variety of High-quality Hot Beverages: Freshly Brewed Coffee, Espresso, Cappuccino, Latte Macchiato, Hot Chocolate or Tea Right Away</p> <p>Innovative Flow-Through Water Heater™ Ready to Go the Moment the Machine is Switched On and Virtually No Heat-up Time Between Drinks</p> <p>Low Energy Consumption – Automatically Reverts to Stand-by Mode after Every Brewing Cycle</p> <p>Only Brewer Using Real Milk</p> <p>Noise Reduction System Reduces Noise While Brewing</p>	<p>Large Variety of High-quality Hot Beverages: Freshly Brewed Coffee, Espresso, Cappuccino, Latte Macchiato, Hot Chocolate or Tea Right Away</p> <p>Innovative Flow-Through Water Heater™ Ready to Go the Moment the Machine is Switched On and Virtually No Heat-up Time Between Drinks</p> <p>Low Energy Consumption – Automatically Reverts to Stand-by Mode after Every Brewing Cycle</p> <p>Only Brewer Using Real Milk</p>
Optional Accessories			TCZ2001 Color Kit – Strawberry Red TCZ2002 Color Kit – Mint Blue TCZ2003 Color Kit – Lime Green TCZ2004 Color Kit – Hazelnut Brown

Color Kits



Strawberry Red
(TCZ2001 Model Shown)



Mint Blue
(TCZ2002 Model Shown)



Lime Green
(TCZ2003 Model Shown)



Hazelnut Brown
(TCZ2004 Model Shown)

Small Appliances Specifications



Benvenuto® Built-in Coffee Machine	
Model Numbers	TKN68E75UC Stainless Steel
Convenience	Easy to Use Multilingual Digital Display
	Single Portion Cleaning
	Freshly Brewed Coffee and Espresso at the Push of a Button
	Rotary Knobs for Selecting All Functions
	Separate Large Chambers for Coffee Beans (14 oz.) and Ground Coffee
	Separate Container for Second Ground Coffee Flavor or Decaf
	Removable Water Tank for Easy Filling (½ gallon)
	Height-adjustable Coffee Dispenser
	Automatic Descaling Program
	Automatic Cleaning Program
Performance	Fully Automatic Rinse Program at Turn-on and Turn-off
	Includes: Measuring Spoon, Water Filter, Two Cleaning Tablets
	Eight Coffee Temperature Levels
	AromaSwirl® Brewing System for Maximum Flavor Extraction
	215 psi (15 bar) Thermo Block-pump Pressure System
Steam and Hot Water Function	
Automatic Grinding System, Holds up to 14 oz. Fresh Coffee Beans: Degree of Grinding Selectable	
12-cup Size and Levels of Coffee Strength (Grind Quantity)–Smooth to Super Strong	





	Universal Kitchen Machine Plus	Universal Kitchen Machine
Model Numbers	MUM6N11UC	MUM6N10UC
Convenience	Security Device, Cover for Both Drives	Security Device, Cover for Both Drives
	Integrated Cable Storage	Integrated Cable Storage
	Durable, Easy to Clean Surface	Durable, Easy to Clean Surface
	Wide Range of Optional Accessories Eliminate the Need for Many Additional Kitchen Appliances	Wide Range of Optional Accessories Eliminate the Need for Many Additional Kitchen Appliances
Performance	800-watt Motor	800-watt Motor
	Easy to Use (4 Speeds plus Impulse) with Slower Low-speed Setting; Faster High-speed Setting	Easy to Use (4 Speeds plus Impulse) with Slower Low-speed Setting; Faster High-speed Setting
	6.5-quart High-volume Mixing Bowl with Higher Dough Capacity	6.5-quart High-volume Mixing Bowl with Higher Dough Capacity
	Dough Hook, Scraper and Double Beater Included	Dough Hook, Scraper and Double Beater Included
	1.5-quart Blender for Mixing, Blending and Crushing Ice	

Universal Kitchen Machine Accessories



Universal Kitchen Machine Accessories	Accessory Model No.
1. Blender	MUZ6MX3
2. Citrus Juicer	MUZ6ZP1
3. Food Processor	MUZ6MM3
4. Shredder with Bowl	MUZ6TS5
5. Julienne Disc	MUZ7JS1
6. French Fries Disc	MUZ7PS1
7. Coarse Grater Disc	MUZ7RS1
8. Fine Grater Disc	MUZ7KS1
9. Food and Meat Grinder	MUZ6FW4
10. Batter Whisk	MUZ6DB2UC
11. Wire Whisk	MUZ6DB3
12. Sausage Stuffer	MUZ7WS1
13. Fruit Pulper	MUZ7FV1
14. Pasta Attachment	MUZ7NV1
15. Cereal Mill	MUZ7GM1
16. Stainless Steel Bowl	MUZ6ER2
17. Plastic Bowl	MUZ6KR4NUC

Dishwasher Technical Details

Model	800 Series Plus	800 Series Plus	800 Series Plus	800 Series Plus	800 Series Plus	800 Series Plus
Color						
Stainless Steel	SHE9ER55UC	SHX9ER55UC	SHE8ER55UC	SHX8ER55UC	SHE7ER55UC	SHX7ER55UC
White						
Black						
Other						
Custom Panel		SHV9ER53UC		SHV8ER53UC		SHV7ER53UC
Silence						
dBA	39	39	40	40	42	42
InfoLight®		■		■		■
Efficiency						
Water –gallons/load	2.22	2.22	2.22	2.22	2.22	2.22
Energy –kWh/year	200	200	180	180	259	259
Wash Cycles	6	6	6	6	5	5
Heavy			■	■	■	■
Normal	■	■	■	■	■	■
Auto	■	■	■	■	■	■
Half Load						
Delicate			■	■	■	■
Express	■	■	■	■	■	■
Rinse/Rinse & Hold						
Glass Care	■	■	■	■		
Auto Plus	■	■				
Auto Delicate	■	■				
Extreme Wash						
Enviro Wash						
Options	5	5	5	5	3	3
Half Load	■	■	■	■	■	■
EcoAction®	■	■	■	■		
Extra Wash	■	■	■	■		
Sanitize	■	■	■	■	■	■
Delay Start	24 h	24 h	24 h	24 h	24 h	24 h
Safety						
Leak Protection	AquaStop® Plus	AquaStop® Plus	AquaStop® Plus	AquaStop® Plus	AquaStop® Plus	AquaStop® Plus
ChildLock Electric			■			
ChildLock Mechanical	■					
PerfectDoor®	■	■	■	■	■	■
Self-latching Door						
Wash Sensor						
EcoSense®	■	■	■	■	■	■
Load Size Sensor	■	■				
Variable Spray Pressure	■	■	■	■	■	■
Upper Rack	VarioFlex™ Plus	VarioFlex™ Plus	VarioFlex™	VarioFlex™	Vario™	Vario™
Place Setting Capacity	15	15	15	15	15	15
Adjustability	RackMatic® Plus	RackMatic® Plus	RackMatic® Plus	RackMatic® Plus	RackMatic® Plus	RackMatic® Plus
ActiveTab® Tray	■	■	■	■	■	■
Handle	ActiveTab® Tray with s/s	ActiveTab® Tray with s/s	ActiveTab® Tray	ActiveTab® Tray	ActiveTab® Tray	ActiveTab® Tray
Flip Tines	6	6	2	2	0	0
Cup Shelves	2	2	2	2	2	2
Plastic Item Clips	3	3	3	3	0	0
Small Accessory Basket	■	■				
Knife Rack						
Lower Rack	VarioFlex™ Plus	VarioFlex™ Plus	VarioFlex™	VarioFlex™	Vario™	Vario™
Handle	Bosch Plastic with s/s	Bosch Plastic with s/s	Bosch Plastic	Bosch Plastic		
Flip Tines	6	6	4	4	2	2
Plastic Item Clips						
Silverware Basket	Flexible	Flexible	Flexible	Flexible	Flexible	Flexible
Silverware Basket Cover	■	■	■	■	■	■
Vase/Baby Bottle Holder	■	■				
Display						
Remaining Time	■	■	■	■	■	■
Sanitized Indicator Light	■	■	■	■	■	■
Rinse Aid Indicator Light	■	■	■	■	■	■
End-of-Cycle Indicator						
Other						
3rd Loading Level	■	■	■	■	■	■
Extra Tall Item Sprinkler	■	■	■	■	■	■
Detergent & Rinse-Aid Dispenser	■	■	■	■	■	■
End-of-Cycle Sound	■	■	■	■	■	■
OptiDry®	■	■	■	■	■	■
Power Cord Included	■	■	■	■	■	■
Water Hose Included	■	■	■	■	■	■

800 Series	800 Series	800 Series	500 Series	500 Series	500 Series	500 Series	300 Series
SHX98M09UC	SHE68R55UC	SHX68R55UC	SHX55RL5UC	SHE55R55UC	SHX55R55UC	SHE55M15UC	SHE43P25UC
	SHE68R52UC	SHX68R52UC		SHE55R52UC	SHX55R52UC	SHE55M12UC	SHE43P22UC
	SHE68R56UC	SHX68R56UC		SHE55R56UC	SHX55R56UC	SHE55M16UC	SHE43P26UC
		SHV68R53UC			SHV55R53UC		
42	44	44	46	46	46	47	52
■	■	■	■	■	■		
2.9	2.9	2.9	2.95	2.95	2.95	2.95	2.95
190	234	234	259	259	259	259	259
9	6	6	4	4	4	5	4
■	■	■	■	■	■	■	■
■	■	■	■	■	■	■	■
■	■	■	■	■	■	■	■
■	■	■				■	■
■	■	■					
■							
■							
■							
■							
■							
■							
■							
2	3	3	2	2	2	3	2
■	■	■				■	■
■						■	
24 h	19 h	19 h	19 h	19 h	19 h	19 h	19 h
AquaStop®	AquaStop®	AquaStop®	AquaStop®	AquaStop®	AquaStop®	AquaStop®	AquaStop®
■	■	■	■	■	■	■	■
■	■	■	■	■	■	■	■
■	■	■	■	■	■	■	■
800	800	800	800	500	500	800	500
14	14	14	14	14	14	14	14
RackMatic®	RackMatic®	RackMatic®	RackMatic®	RackMatic®	RackMatic®	RackMatic®	RackMatic®
Bosch Plastic	Bosch Plastic	Bosch Plastic	Bosch Plastic	Bosch Plastic	Bosch Plastic	Bosch Plastic	Bosch Plastic
4	2	2	2	1	1	4	2
	3	3	3	2	2	2	2
■	■	■	■	■	■		
800	800	800	500	500	500	800	Standard
Bosch Plastic	Bosch Plastic	Bosch Plastic	Handle Wire	Handle Wire	Handle Wire	Handle Wire	Handle Wire
4	2	2	1	1	1	4	2
Flexible	Duo-Flex	Duo-Flex	Duo-Flex	Duo-Flex	Duo-Flex	Duo-Flex	Standard
■	■	■	■	■	■	■	■
■	■	■	■	■	■	■	■
■	■	■	■	■	■	■	■
■	■	■	■	■	■	■	■
■	■	■	■	■	■	■	■
■	■	■	■	■	■	■	■
■	■	■	■	■	■	■	■
■	■	■	■	■	■	■	■
■	■	■	■	■	■	■	■

Dishwasher Technical Details

Model	300 Series	300 Series	300 Series	300 Series	300 Series	Ascenta
Color						
Stainless Steel	SHE43RL5UC	SHX43RL5UC	SHE43R55UC	SHX43R55UC	SHX33RL5UC	SHE3AR75UC
White	SHE43RL2UC	SHX43RL2UC	SHE43R52UC	SHX43R52UC		SHE3AR72UC
Black	SHE43RL6UC	SHX43RL6UC	SHE43R56UC	SHX43R56UC		SHE3AR76UC
Other						
Custom Panel				SHV43R53UC		
Silence						
dBA	48	48	48	48	50	50
InfoLight®	■	■	■	■		
Efficiency						
Water – gallons/load	2.95	2.95	2.95	2.95	2.95	2.95
Energy – kWh/year	259	259	259	259	259	279
Wash Cycles						
4	4	4	4	4	4	6
Heavy	■	■	■	■	■	■
Normal	■	■	■	■	■	■
Auto	■	■	■	■	■	■
Half Load	■	■	■	■		■
Delicate						■
Express					■	■
Rinse/Rinse & Hold						
Glass Care						
Auto Plus						
Auto Delicate						
Extreme Wash						
Enviro Wash						
Options						
2	2	1	1	1	2	
Half Load						
EcoAction®						
Extra Wash						
Sanitize	■	■	■	■	■	■
Delay Start	19h	19 h				3/6/9 h
Safety						
Leak Protection	AquaStop®	AquaStop®	AquaStop®	AquaStop®	AquaStop®	24/7 Overflow
ChildLock Electric						■
ChildLock Mechanical						
PerfectDoor®	■	■	■	■	■	■
Self-latching Door						■
Wash Sensor						
EcoSense®	■	■	■	■	■	■
Load Size Sensor						
Variable Spray Pressure						■
Upper Rack						
500	500	300	300	500	300	
Place Setting Capacity	14	14	14	14	14	14
Adjustability	RackMatic®	RackMatic®	Manual	Manual	RackMatic®	Manual
ActiveTab® Tray						
Handle	Bosch Plastic	Bosch Plastic	Bosch Plastic	Bosch Plastic	Bosch Plastic	Bosch Plastic
Flip Tines	2	2	1	1	2	1
Cup Shelves	2	2	2	2	2	2
Plastic Item Clips						
Small Accessory Basket						
Knife Rack						
Lower Rack						
300	300	300	300	Standard	300	
Handle	Handle Wire	Handle Wire	Handle Wire	Handle Wire		Handle Wire
Flip Tines	1	1	1	1		1
Plastic Item Clips						
Silverware Basket	Long	Long	Long	Long	Long	Long
Silverware Basket Cover	■	■	■	■	■	■
Vase/Baby Bottle Holder						
Display						
Remaining Time	■	■				■
Sanitized Indicator Light	■	■	■	■	■	■
Rinse Aid Indicator Light	■	■	■	■	■	■
End-of-Cycle Indicator						■
Other						
3rd Loading Level						
Extra Tall Item Sprinkler						
Detergent & Rinse-Aid Dispenser	■	■	■	■	■	■
End-of-Cycle Sound	■	■	■	■	■	■
OptiDry®	■	■	■	■	■	■
Power Cord Included						
Water Hose Included						

Special Application

Ascenta	Ascenta	Ascenta	Ascenta
SHX3AR75UC	SHE3ARL5UC	SHE3AR55UC	SHX3AR55UC
SHX3AR72UC	SHE3ARL2UC	SHE3AR52UC	SHX3AR52UC
SHX3AR76UC	SHE3ARL6UC	SHE3AR56UC	SHX3AR56UC
50	50	50	50
2.95	2.95	2.95	2.95
279	279	279	279
6	5	4	4
■	■	■	■
■	■	■	■
■	■	■	■
■	■	■	■
■	■	■	■
■	■	■	■
2	2	2	2
■	■	■	■
3/6/9 h	3/6/9 h	3/6/9 h	3/6/9 h
24/7 Overflow	24/7 Overflow	24/7 Overflow	24/7 Overflow
■	■	■	■
■	■	■	■
■	■	■	■
■	■	■	■
300	Standard	Standard	Standard
14	14	14	14
Manual			
Bosch Plastic			
1	1	1	1
2	1	1	1
300	Standard	Standard	Standard
Handle Wire			
1			
Long	Long	Long	Long
■	■	■	■
■	■	■	■
■	■	■	■
■	■	■	■
■	■	■	■
■	■	■	■

18" ADA	24" ADA
SRX53C15UC	SGE63E15UC
	SGE63E06UC
SRV53C13UC	
49	49
2.98	2.0
306	234
5	6
■	■
■	■
	■
■	■
■	■
■	■
	■
2	5
■	■
	■
	■
	■
19 h	24 h
AquaStop® Plus	AquaStop® Plus
■	■
■	■
Premium	Vario™
9	14
RackMatic®	Manual
■	■
Bosch Plastic	Active Tray
2	0
2	0
0	0
Premium	Vario™
Bosch Plastic	
4	2
Flexible	Flexible
	■
■	■
■	■
■	■
■	■
■	■
■	■
■	■
■	■

Oven Technical Details

Model Number	800 Series	500 Series	800 Series	500 Series	500 Series	300 Series
Color						
Stainless steel	HBL8750UC	HBL5750UC	HBL8650UC	HBL5650UC	HBN5650UC	HBL3550UC
Black		HBL5760UC		HBL5660UC		HBL3560UC
White		HBL5720UC		HBL5620UC		
Type						
	30" Combination	30" Combination	30" Double	30" Double	27" Double	30" Double
Microwave Configuration*	Convection	Traditional				
Appearance						
Flush-to-Cabinet Design	■	■	■	■	■	■
Touch Control	■		■			
Ergonomic Retractable Dials		■		■	■	
Ergonomic Dials						■
Amber Colored Full Text Display	■	■	■	■	■	
Amber Colored Display						■
Performance						
Genuine European Convection	■	■	Upper/Lower	Upper	Upper	
Speed Convection	■	■	Upper	Upper	Upper	
Convection Bake, Broil, Roast	■	■	Upper/Lower	Upper	Upper	Upper
Bake, Broil, Roast	■	■	Upper/Lower	Upper/Lower	Upper/Lower	Upper/Lower
Pizza, Pie	■	■	Upper/Lower	Upper	Upper	Upper
Recipes	■	■	Upper/Lower	Upper	Upper	
Fast Preheat	■	■	Upper/Lower	Upper	Upper	Upper
Meat Probe	■	■	Upper	Upper	Upper	
Self Clean Mode	Two-hour Cycle	Two-hour Cycle	Two-hour Cycle	Two-hour Cycle	Two-hour Cycle	Two-hour Cycle
Star-K Certified	■	■	■	■	■	
Panel Lock	■		■			
Convenience						
Ball Bearing Telescopic Racks	1		1			
Standard Racks	2	3	5	5	5	5
Porcelain Self Clean Rack Supports	■	■	■	■	■	■
Porcelain Broil Pan	■	■	■	■	■	
Cavity Lighting	3 Halogen	2	3 Halogen per Cavity	2 per Cavity	2 per Cavity	1 per Cavity
Concealed Bake Element	■	■	■	■	■	■
Recessed 10 Pass Broil Element	■	■	■	■	■	■
Overall Oven Capacity*	4.7 cu. ft.	4.7 cu. ft.	4.7 cu. ft.	4.7 cu. ft.	4.2 cu. ft.	4.7 cu. ft.
Technical						
Convection Element Wattage	2,000 W	2,000 W	2,000 W	2,000 W	2,000 W	
Broil Element Wattage	3,600 W	3,600 W	3,600 W	3,600 W	3,600 W	3,600 W
Bake Element Wattage	2,000 W	2,000 W	2,000 W	2,000 W	2,000 W	2,000 W
Dual-Rated 120/208-240 Volts, 4 Wire, 60 Hz	■	■	■	■	■	■
Amps	50	50	40	40	40	40
Approximate Shipping Weight	267 lb.	267 lb.	328 lb.	328 lb.	315 lb.	328 lb.

*Please refer to the Microwave section for specifications.

Note: Dimensions are for planning only. For details, see installation manual, or visit www.bosch-home.com/us. Specifications subject to change without notice. For immediate installation dimensions by fax, call 1.925.284.3558. Use code #8317 for a directory of Bosch products. Also available online at dexpress.com.

300 Series	800 Series	500 Series	500 Series	300 Series	300 Series	300 Series
HBN3550UC	HBL8450UC	HBL5450UC	HBN5450UC	HBL3450UC	HBN3450UC	HBL3350UC
		HBL5460UC		HBL3460UC		HBL3360UC
		HBL5420UC				
27" Double	30" Single	30" Single	27" Single	30" Single	27" Single	30" Single
■	■	■	■	■	■	■
	■					
■		■	■	■	■	■
	■	■	■	■	■	■
■				■	■	■
	■	■	■			
	■	■	■			
Upper	■	■	■	■	■	
Upper/Lower	■	■	■	■	■	■
Upper	■	■	■	■	■	
Upper	■	■	■	■	■	
Two-hour Cycle	Two-hour Cycle	Two-hour Cycle	Two-hour Cycle	Two-hour Cycle	Two-hour Cycle	Two-hour Cycle
	■	■	■			
	■					
	1					
5	2	3	3	3	3	2
■	■	■	■	■	■	■
1 per Cavity	3 Halogen	2	2	1	1	1
■	■	■	■	■	■	■
■	■	■	■	■	■	■
4.2 cu. ft.	4.7 cu. ft.	4.7 cu. ft.	4.2 cu. ft.	4.7 cu. ft.	4.2 cu. ft.	4.7 cu. ft.
	2,000 W	2,000 W	2,000 W			
3,600 W	3,600 W	3,600 W	3,600 W	3,600 W	3,600 W	3,600 W
2,000 W	2,000 W	2,000 W	2,000 W	2,000 W	2,000 W	2,000 W
■	■	■	■	■	■	■
40	30	30	30	30	30	30
315 lb.	193 lb.	193 lb.	179 lb.	193 lb.	179 lb.	193 lb.

Induction Cooktop Technical Details

Model	800 Series, 36"	800 Series, 30"	500 Series, 36"	500 Series, 30"	300 Series, 30"
Color					
Black w/ Stainless Steel Trim	NIT8665UC	NIT8065UC	NIT5665UC	NIT5065UC	
Black					NIT3065UC
Element Size and Performance					
Left Front Size(s)	7"	9"	7"	9"	9"
Left Front Performance (with SpeedBoost®)	1,800 (2,500) W	2,200 (3,300) W	1,800 (2,500) W	2,200 (3,300) W	2,200 (3,300) W
Left Rear Size(s)	7"	6"	7"	6"	6"
Left Rear Performance (with SpeedBoost®)	1,800 (2,500) W	1,400 (1,800) W	1,800 (2,500) W	1,400 (1,800) W	1,400 (1,800) W
Center Size(s)	11"/7"		11"/7"		
Center Performance (with SpeedBoost®)	2,800 (4,400) W / 1,800 (2,500) W		2,800 (4,400) W / 1,800 (2,500) W		
Right Rear Size(s)	6"	11"	6"	11"	11"
Right Rear Performance (with SpeedBoost®)	1,400 (1,800) W	2,400 (3,600) W	1,400 (1,800) W	2,400 (3,600) W	2,400 (3,600) W
Right Front Size(s)	9"	6"	9"	6"	6"
Right Front Performance (with SpeedBoost®)	2,200 (3,300) W	1,400 (1,800) W	2,200 (3,300) W	1,400 (1,800) W	1,400 (1,800) W
Cooktop Power Requirements					
Voltage	Dual Rated 208/240 V, 3-Wire, 60 Hz	Dual Rated 208/240 V, 3-Wire, 60 Hz	Dual Rated 208/240 V, 3-Wire, 60 Hz	Dual Rated 208/240 V, 3-Wire, 60 Hz	Dual Rated 208/240 V, 3-Wire, 60 Hz
Amperage/Breaker	50	40	50	40	40

Gas Cooktop Technical Details

Model	800 Series, 36"	800 Series, 30"	500 Series, 36"	500 Series, 30"	300 Series, 36"	300 Series, 36"
Color						
Stainless Steel	NGM8654UC	NGM8054UC	NGM5654UC	NGM5054UC	NGM3654UC	NGM3054UC
Black			NGM5664UC	NGM5064UC		
White			NGM5624UC	NGM5024UC		
Burner Performance						
Left Front Performance	1,350–12,000 BTU	1,350–10,000 BTU	1,350–12,000 BTU	1,350–10,000 BTU	1,350–12,000 BTU	1,350–10,000 BTU
Left Rear Performance	1,350–12,000 BTU	1,100–5,500 BTU	1,350–12,000 BTU	1,350–10,000 BTU	1,350–12,000 BTU	1,350–10,000 BTU
Center Performance	1,350–18,000 BTU	1,350–16,000 BTU	1,350–16,000 BTU	n/a	1,350–14,000 BTU	n/a
Right Front Performance	1,350–12,000 BTU	1,100–5,500 BTU	1,350–12,000 BTU	1,350–16,000 BTU	1,350–12,000 BTU	1,350–14,000 BTU
Right Rear Performance	1,100–5,500 BTU	1,350–10,000 BTU	1,100–5,500 BTU	1,100–5,500 BTU	1,100–5,500 BTU	1,100–5,500 BTU
Cooktop Installation Requirements						
Voltage	120 V, 3 Wire Power Cord	120 V, 3 Wire Power Cord	120 V, 3 Wire Power Cord	120 V, 3 Wire Power Cord	120 V, 3 Wire Power Cord	120 V, 3 Wire Power Cord
Amperage/Breaker	15	15	15	15	15	15

Electric Cooktop Technical Details

Model	800 Series, 36"	800 Series, 30"	500 Series, 36"	500 Series, 30"	300 Series, 36"	300 Series, 30"
Color						
Black w/ Stainless Steel Trim	NET8654UC	NET8054UC	NET5654UC	NET5054UC		
Black					NEM3664UC	NEM3064UC
Element Size and Performance						
Left Front Size(s)	7"	7"/5"	7"	7"	7"/5"	7"/5"
Left Front Performance	1,800 W	1,700/700 W	1,800 W	1,800 W	1,700/700 W	1,700/700 W
Left Rear Size(s)	7"	7"	7"	7"	7"	7"
Left Rear Performance	1,800 W	1,800 W	1,800 W	1,800 W	1,800 W	1,800 W
Center Size(s)	12"/8"/6"		9"/6"	9"/6"	7"	
Center Performance	3,080/1,950/ 1,050 W		2,500 W/1,100 W	2,500 W/1,100 W	1,800 W	
Right Rear Size(s)	6"	12"/8"/6"	6"	6"	6"	6"
Right Rear Performance	1,200 W	2,700/1,950/ 1,050 W	1,200 W	1,200 W	1,200 W	1,200 W
Right Front Size(s)	8"/5"	6"	8"/5"		9"/6"	9"
Right Front Performance	1,900 W/800 W	1,200 W	1,900 W/800 W		2,500 W/1,100 W	2,500 W
Bridge Performance	400 W		400 W	400 W		
Cooktop Power Requirements						
Voltage	Dual Rated 208/240 V, 3-Wire, 60 Hz	Dual Rated 208/240 V, 3-Wire, 60 Hz	Dual Rated 208/240 V, 3-Wire, 60 Hz	Dual Rated 208/240 V, 3-Wire, 60 Hz	Dual Rated 208/240 V, 3-Wire, 60 Hz	Dual Rated 208/240 V, 3-Wire, 60 Hz
Amperage/Breaker	50	40	40	40	40	30

Slide-in Range Technical Details

Model	700 Series	700 Series	700 Series	700 Series
Gas Fuel Type	Dual-fuel	Dual-fuel	Electric	Electric
Color				
Stainless Steel Pro	HDI7282U		HEI7282U	
Stainless Steel		HDI7052U		HEI7052U
Black				
White				
Gas Cooktop Performance				
Left Rear	1,300–12,500 BTU	1,300–12,500 BTU		
Left Front	1,300–12,500 BTU	1,300–12,500 BTU		
Center				
Right Rear	800–5,500 BTU	800–5,500 BTU		
Right Front	1,300–16,000 BTU	1,300–16,000 BTU		
Gas Cooktop Features				
OptiSim® (400 BTU)	1	1		
PowerSim® Burner	1	1		
Sealed Burners	■	■		
Continuous Grates (Cast-Iron)	■	■		
Electronic Ignition	■	■		
Power Burner	■	■		
Simmer Burner	■	■		
Oval Burner				
Electric Cooktop Element Size(s) and Performance				
Left Rear Size(s)/ Performance			5", 8"/1,900 W	7"/1,800 W
Left Front Size(s)/ Performance			6"/1,500 W	7"/1,800 W + 800 W Bridge
Center Size(s)/ Performance				
Right Rear Size(s)/ Performance			6"/1,200 W	6"/1,200 W
Right Front Size(s)/ Performance			12", 9", 6"/2,700 W	5", 7", 9", 2,500 W
Electric Cooktop Features				
Smooth Surface (Ceramic Glass)			■	■
Stainless Steel Cooktop Frame			■	■
Hot Surface Indicator Light			4	4
Electronic Cooktop On Indicator Lights			■	■
Simmer Element				
Bridge Element (800 W)				■
Oven Performance				
Broil	3,600 W	3,600 W	3,600 W	3,600 W
Bake	2,000 W	2,000 W	2,000 W	2,000 W
Third Element	1,100 W	1,100 W	1,100 W	1,100 W
Oven Features				
Capacity	4.6 cu. ft.	4.6 cu. ft.	4.6 cu. ft.	4.6 cu. ft.
Genuine European Convection	■	■	■	■
Convection				
Temperature Probe	■		■	
Convection Assisted Self-clean	■	■	■	■
Self-Clean				
Full Extension Telescopic Rack	1		1	
Standard Racks	2	3	2	3
Rack Positions	6	6	6	6
Variable Broiling (Min/Max)	■	■	■	■
Oven Light	■	■	■	■
Wide View Oven Window				
Hidden Bake Element	■	■	■	■
Cooking Modes				
Bake	■	■	■	■
Broil	■	■	■	■
Automatic Convection Bake	■	■	■	■
Convection Bake				
Convection Broil	■		■	
Convection Roast	■	■	■	■
Convection Conversion	■	■	■	■
Dehydrate	■	■	■	■
Keep Warm Oven Mode	■	■	■	■
Star-K Certified	■	■	■	■
Proof	■	■	■	■
Console/Controls				
ClearTouch® Oven Controls	■	■	■	■
Touch Oven Controls				
Knobs with "Push-to-Turn" system	■	■	■	■
Metal Finish Knobs	■		■	
Electronic Clock & Timers	■	■	■	■
Oven Control Lock out				
Delayed Bake	■	■	■	■
Panel Lock				
Lower Drawer				
Warming Drawer	■		■	
Storage Drawer		■		■
Installation Requirements				
Dual Rated 208/240 V, 4-wire, 60 Hz	■	■	■	■
120 V, 3-wire, 60 Hz				
Amperage/Breaker	30	30	40	40
Natural/LP Gas Convertible	■	■		

Freestanding Range Technical Details

Model	700 Series	700 Series	500 Series DLX	500 Series	300 Series
Fuel Type	Gas	Gas	Gas	Gas	Gas
Color					
Stainless Steel Pro	HGS7282UC				
Stainless Steel		HGS7052UC	HGS5L53UC	HGS5053UC	HGS3053UC
Black					HGS3063UC
White					HGS3023UC
Gas Cooktop Performance					
Left Rear	1,300–12,500 BTU	1,300–12,500 BTU	1,200–12,000 BTU	1,200–12,000 BTU	1,200–12,000 BTU
Left Front	1,200–9,100 BTU	1,200–9,100 BTU	850–9,500 BTU	850–9,500 BTU	850–9,500 BTU
Center			2,500–9,500 BTU	2,500–9,500 BTU	850–9,500 BTU
Right Rear	800–5,500 BTU	800–5,500 BTU	500–5,000 BTU	500–5,000 BTU	500–5,000 BTU
Right Front	1,300–16,000 BTU	1,300–16,000 BTU	1,800–17,000 BTU	1,800–16,000 BTU	1,500–14,000 BTU
Gas Cooktop Features					
OptiSim® (400 BTU)	Right Rear				
PowerSim® Burner	Right Front	Right Front			
Sealed Burners	■	■	■	■	■
Continuous Grates (Cast-Iron)	■	■	■	■	■
Electronic Ignition	■	■	■	■	■
Power Burner	■	■	■	■	■
Simmer Burner	■	■	■	■	■
Oval Burner			■	■	
Electric Cooktop Element Size(s) and Performance					
Left Rear Size(s)/ Performance					
Left Front Size(s)/ Performance					
Center Size(s)/ Performance					
Right Rear Size(s)/ Performance					
Right Front Size(s)/ Performance					
Electric Cooktop Features					
Smooth Surface (Ceramic Glass)					
Stainless Steel Cooktop Frame					
Hot Surface Indicator Light					
Electronic Cooktop On Indicator Lights					
Simmer Element					
Bridge Element (800 W)					
Oven Performance					
Broil	12,500 BTU	12,500 BTU	13,500 BTU	13,500 BTU	13,500 BTU
Bake	17,000 BTU	17,000 BTU	18,000 BTU	18,000 BTU	18,000 BTU
Third Element	400 W	400 W	-	-	-
Oven Features					
Capacity	5.1 cu. ft.	5.1 cu. ft.	5.0 cu. ft.	5.0 cu. ft.	5.0 cu. ft.
Genuine European Convection	■	■			
Convection			■	■	
Temperature Probe	■				
Convection Assisted Self-clean	■	■			
Self-Clean			■	■	■
Full Extension Telescopic Rack	1				
Standard Racks	2	3	2	2	2
Rack Positions	6	6	5	5	5
Variable Broiling (Min/Max)	■	■	■	■	■
Oven Light	■	■	■	■	■
Wide View Oven Window			■	■	■
Hidden Bake Element	■	■	■	■	■
Cooking Modes					
Bake	■	■	■	■	■
Broil	■	■	■	■	■
Automatic Convection Bake	■	■			
Convection Bake			■	■	
Convection Broil					
Convection Roast	■	■			
Convection Conversion	■	■			
Dehydrate	■	■			
Keep Warm Oven Mode	■	■			
Star-K Certified	■	■			
Proof	■	■			
Console/Controls					
ClearTouch® Oven Controls	■	■			
Touch Oven Controls			■	■	■
Knobs with "Push-to-Turn" system	■	■	■	■	■
Metal Finish Knobs	■	■	■	■	■
Electronic Clock & Timers	■	■	■	■	■
Oven Control Lock out				■	■
Delayed Bake	■	■	■	■	■
Panel Lock			■	■	■
Lower Drawer					
Warming Drawer	■	■			
Storage Drawer			■	■	■
Installation Requirements					
Dual Rated 208/240 V, 4-wire, 60 Hz	15	15	15	15	15
120 V, 3-wire, 60 Hz	■	■	■	■	■
Amperage/Breaker					
Natural/LP Gas Convertible					

Freestanding Range Technical Details

Model	700 Series	700 Series	700 Series	700 Series
Fuel Type	Dual-fuel	Dual-fuel	Electric	Electric
Color				
Stainless Steel Pro	HDS7282U		HES7282U	
Stainless Steel		HDS7052U		HES7052U
Black				
White				
Gas Cooktop Performance				
Left Rear	1,300–12,500 BTU	1,300–12,500 BTU		
Left Front	1,200–9,100 BTU	1,200–9,100 BTU		
Center				
Right Rear	800–5,500 BTU	800–5,500 BTU		
Right Front	1,300–16,000 BTU	1,300–16,000 BTU		
Gas Cooktop Features				
OptiSim® (400 BTU)	Right Rear			
PowerSim® Burner	Right Front	Right Front		
Sealed Burners	■	■		
Continuous Grates (Cast-Iron)	■	■		
Electronic Ignition	■	■		
Power Burner	■	■		
Simmer Burner	■	■		
Oval Burner				
Electric Cooktop Element Size(s) and Performance				
Left Rear Size(s)/ Performance			5", 7", 9"/2,500 W	7"/1,800 W
Left Front Size(s)/ Performance			6"/1,200 W	7"/1,800 W + 800 W Bridge
Center Size(s)/ Performance				
Right Rear Size(s)/ Performance			6"/1,200 W	6"/1,200 W
Right Front Size(s)/ Performance			9", 12"/2,700 W	5", 9"/2,500 W
Electric Cooktop Features				
Smooth Surface (Ceramic Glass)			■	■
Stainless Steel Cooktop Frame			■	■
Hot Surface Indicator Light			4	4
Electronic Cooktop On Indicator Lights			4	4
Simmer Element				
Bridge Element (800 W)				■
Oven Performance				
Broil	3,600 W	3,600 W	3,600 W	3,600 W
Bake	2,000 W	2,000 W	2,000 W	2,000 W
Third Element	1,100 W	1,100 W	1,100 W	1,100 W
Oven Features				
Capacity	4.6 cu. ft.	4.6 cu. ft.	4.6 cu. ft.	4.6 cu. ft.
Genuine European Convection			■	■
Convection	■	■		
Temperature Probe	■		■	
Convection Assisted Self-clean	■	■	■	■
Self-Clean				
Full Extension Telescopic Rack	1		1	
Standard Racks	2	3	2	3
Rack Positions	6	6	6	6
Variable Broiling (Min/Max)	■	■	■	■
Oven Light	■	■	■	■
Wide View Oven Window				
Hidden Bake Element	■	■	■	■
Cooking Modes				
Bake	■	■	■	■
Broil	■	■	■	■
Automatic Convection Bake	■	■	■	■
Convection Bake				
Convection Broil	■		■	
Convection Roast	■	■	■	■
Convection Conversion	■	■	■	■
Dehydrate	■	■	■	■
Keep Warm Oven Mode	■	■	■	■
Star-K Certified	■	■	■	■
Proof	■	■	■	■
Console/Controls				
ClearTouch® Oven Controls	■	■	■	■
Touch Oven Controls				
Knobs with "Push-to-Turn" system	■	■	■	■
Metal Finish Knobs	■		■	
Electronic Clock & Timers	■	■	■	■
Oven Control Lock out				
Delayed Bake	■	■	■	■
Panel Lock				
Lower Drawer				
Warming Drawer	■	■	■	■
Storage Drawer				
Installation Requirements				
Dual Rated 208/240 V, 4-wire, 60 Hz	30	30	■	■
120 V, 3-wire, 60 Hz	■	■		
Amperage/Breaker			40	40
Natural/LP Gas Convertible				

500 Series DLX	500 Series	300 Series
Electric	Electric	Electric
HES5L53U	HES5053U	HES3053U HES3063U HES3023U
6"/1,200 W 6", 9"/2,500 W	6"/1,200 W 6", 9"/2,500 W	6"/1,200 W 6", 9"/2,500 W
6"/100 W (warming zone) 6"/1,200 W 9", 12"/3,000 W	6"/100 W (warming zone) 6"/1,200 W 9", 12"/2,700 W	6"/1,200 W 6", 9"/2,500 W
■	■	■
1	1	1
5	5	4
■	■	■
3,600 W 3,500 W -	3,600 W 3,500 W	3,600 W 3,500 W
5.4 cu. ft.	5.4 cu. ft.	5.4 cu. ft.
■	■	
■	■	■
2	2	2
5	5	5
■	■	■
■	■	■
■	■	■
■	■	■
■	■	■
■	■	■
■	■	■
■	■	■
■	■	■
■	■	■
■	■	■
■	■	■
■	■	■
■	■	■
■	■	■
40	40	40

Refrigeration Technical Details

Series	800	800	800	800	500	300
Color						
Stainless Steel	B36ET71SNS	B36IT71SNS	B26FT70SNS	B22CS80SNS	B22CS50SNS	B22CS30SNS
White					B22CS50SNW	
Model						
French Door Bottom Mount	■	■	■			
Side-by-Side				■	■	■
Type						
Built-In	■	■				
Free Standing			■	■	■	■
Appearance						
Standard Depth			■			
Counter Depth				■	■	■
Built-In Flush Design	■					
Built-In Framed Design		■				
Color-matched Sides				■	■	■
Long, Tall Door	■	■		■	■	■
Hidden Hinges	■	■	■	■	■	■
Performance						
Dual Evaporator/Dual Compressor	■	■				
Dual Evaporator				■	■	■
Multi-Flow Shower Cooling System	■	■	■	■	■	■
Temperature Controlled Drawer	■	■		■	■	
VitaFresh™ Food Preservation Drawers			■			
SuperCool™/SuperFreeze™	■	■	■	■	■	■
QuickIce			■	■	■	
Air Filter	■	■		■	■	
Water Filter	■	■	■	■	■	■
Controls	Interior Electronic	Interior Electronic	Exterior SteelTouch™	Exterior Touch Controls	Exterior Touch Controls	Exterior Touch Controls
Display Screen	Interior	Interior	Exterior, LED	Exterior, LCD	Exterior, LCD	Exterior, LED
Convenience						
Frameless Exterior Ice Water Dispenser			■	■	■	■
Icemaker	■	■	■	■	■	■
Cubed Ice	■	■	■	■	■	■
Crushed Ice			■	■	■	■
Gallon Door Storage Bins	■	■	■	■	■	■
Frameless Glass Shelves	■	■				
Spill Proof Glass Shelves			■	■	■	■
Adjustable Split Glass Shelving	■	■	■			
Full Extension Refrigerator Drawers	■	■		■	■	■
Full Extension Freezer Drawers	■	■	■	■	■	■
EasyLift™ Shelf				2	1	
EasyLift™ Door Bin				1		
CoolPaks				■	■	
Deli Drawer	■	■	■	■	■	■
Can Rack				■	■	
Wine Rack				■	■	
Tilt-out Door Bins in Freezer				■	■	■
Lighting						
Lighting Type	Halogen	Halogen	All-level LED	CoolGlow™ LED	Standard 2x40 W	Standard 2x25 W
Safety						
Door Open Alarm	■	■	■	■	■	■
Ice and Water Dispenser Lock			■	■	■	■
Efficiency						
ENERGY STAR® Qualified	■	■	■	■	■	■
Economy Mode	■	■		■	■	
Vacation Mode	■	■		■	■	
Sabbath Mode	■	■		■	■	
Capacity						
Refrigerator cu. ft.	13.8	13.8	16.9	13.3	13.3	13.7
Freezer cu. ft.	5.7	5.7	9.0	8.4	8.4	8.4
Total cu. ft.	19.5	19.5	25.9	21.7	21.7	22.1

Compact Washer Technical Details

Series	Axxis® Plus Washer	Axxis® Washer
Color		
White	WAS24460UC	WAS20160UC
Core Features		
Capacity DOE(cu. ft.)	2.16 cu. ft.	2.16 cu. ft.
Spin Speed	1,200 rpm	1,000 rpm
Number of Wash Cycles	15	15
Number of Wash Options	8	6
Efficiency		
ENERGY STAR® Qualified	■	■
Energy Use	145 kWh/y	140 kWh/y
Modified Energy Factor (MEF)	2.12	2.05
Water Factor (WF)	4.8	4.8
Annual Water Consumption	4,064	4,064
Design Elements		
Display	Large LED Display	LED Indicators
Cabinet	White	White
Door	Silver	Silver
Drum	Stainless Steel, Structured Drum	Stainless Steel, Structured Drum
Cycles	15	15
Cotton	■	■
Regular/Cotton (Cold, Warm, Hot)		■
Permanent press	■	
Permanent press (Cold, Warm, Hot)		■
Delicates	■	■
Hand wash	■	■
Dark Colors	■	
Drain	■	■
KidsCare™	■	■
Quick Wash	■	
Refresh	■	■
Sanitary™	■	■
Silk/Satin	■	
Soak	■	■
Spin	■	■
Sports Wear	■	
Wool	■	■
Options	8	6
Delay Start	■	
Heavy Duty	■	■
Reduced Ironing	■	■
Rinse Plus	■	■
Signal	■	■
Spin Speed Selection	■	■
Temperature Selection	■	
Start/Pause	■	■
Advanced Features		
Anti-Vibration Design	■	■
3D Sensor	■	■
Control Types	Touch Control	Touch Control
Raindrop Structured Drum	■	■
Internal Water Heater	■	■
Self-cleaning detergent drawer	■	■
SensoTronic® Plus		■
SensoTronic® II Plus	■	
Dimensions		
Height	33 3/16"	33 3/16"
Width	23 3/16"	23 3/16"
Depth	24 1/2"	24 1/2"
Packaging HxWxD	34 3/4" x 25 1/2" x 26 3/4"	34 1/4" x 25 1/4" x 26 3/4"
Minimum Staking Height	68 15/32"	68 15/32"
Leveling Legs/Height Adjustment Range	Yes, 1/2"	Yes, 1/2"
Weight	168 lbs.	165 lbs.
Shipping Weight	171 lbs.	165 lbs.
Door Opening (Angle)	165°	165°
Technical Information		
Supply Voltage	208/240 V	208/240 V
Frequency	60 Hz	60 Hz
Amperage	12 A	12 A
Required Installation Amperage	30 A	30 A
Heating	1,350 W	1,350 W
Plug Included	240V 3-prong	240V 3-prong
Plug into Dryer	■	■

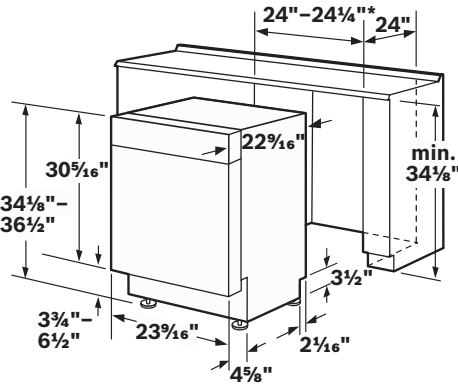
Compact Dryer Technical Details

Series	Axxis® Condensation Dryer	Axxis® Vented Dryer
Color		
White	WTE86300US	WTV76100US/CN
Core Features		
Capacity (cu. ft.)	3.95 cu. ft.	3.9 cu. ft.
Silence Rating	67 dB	67 dB
Number of Drying Cycles	11	9
Number of Drying Options	4	2
Design Elements		
Display	Large LED Display	LED Indicators
Cabinet	White	White
Door	Silver	Silver
See-thru Door	■	■
Drum	One Piece Stainless Steel, Structured Drum	One Piece Stainless Steel, Structured Drum
Cycles	11	9
Regular/Cotton (Extra Dry, Very Dry, Regular Dry, Damp Dry)	■	■
Permanent press (Very Dry, Regular Dry, Damp Dry)	■	■
Short Program	■	
Timed Program	Warm 40 min.	Warm 40 min.
Touch Up	■	■
Wools	■	
Options	4	2
Delicates/Low Heat	■	■
Easy Ironing	■	
Delay Start up to 24 hrs.	■	
Start/Pause	■	■
Advanced Features		
Control Types	Touch Control	Touch Control
Unique Structured Drum	■	■
WrinkleBlock®	Up to 120 min.	Up to 60 min.
Fully Electronic Moisture Sensor	■	■
Interior Light	■	
Lint Filter Indicator	■	■
Dimensions		
Height	33 3/16"	33 3/16"
Width	23 9/16"	23 9/16"
Depth	24 5/8"	24 5/8"
Packaging HxWxD	34 1/4"x 24 3/4"x 26 3/4"	34 1/4"x 24 3/4"x 27 1/2"
Minimum Staking Height	68 15/32"	68 15/32"
Leveling Legs/Height Adjustment Range	Yes, 3/8"	Yes, 3/8"
Weight	99 lbs.	94 lbs.
Shipping Weight	101 lbs.	97 lbs.
Door Opening (Angle)	160°	160°
Technical Information		
Supply Voltage	208/240 V	208/240 V
Frequency	60 Hz	60 Hz
Amperage	13 A	13 A
Required Installation Amperage	30 A	30 A
Required Air-Flow - Intake	118 CFM (200m ³ /h)	110 CFM (187 m ³ /h)
Plug Included	240V 4-prong	240V 4-prong
Type	Electronic	Electronic
Venting	Condensing—No venting required	Rear & Left (no vent kit required)
Drain line including drain pump	Yes, drain line along w/washer	



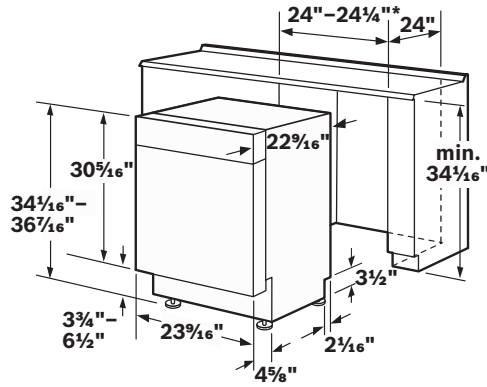
Dishwasher Dimensions and Installation

Recessed Handle Dishwashers



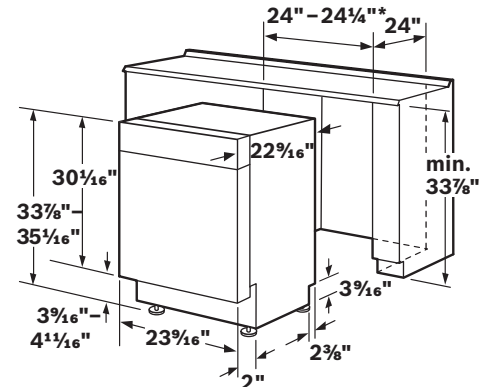
*23 9/16" without decor strips

SHE9ER55UC



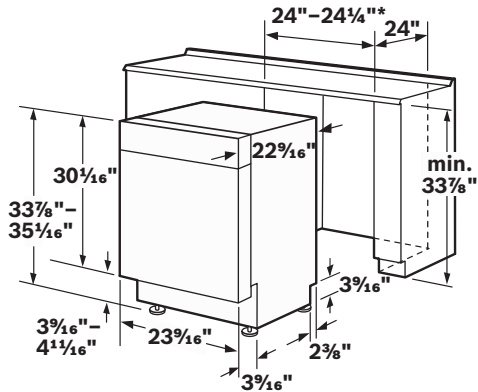
*23 9/16" without decor strips

SHE7ER55UC
SHE8ER55UC



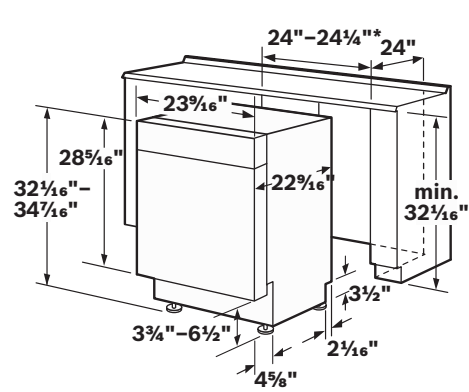
*23 9/16" without decor strips

SHE55M1_UC **SHE68R5_UC**
SHE55R5_UC



*23 9/16" without decor strips

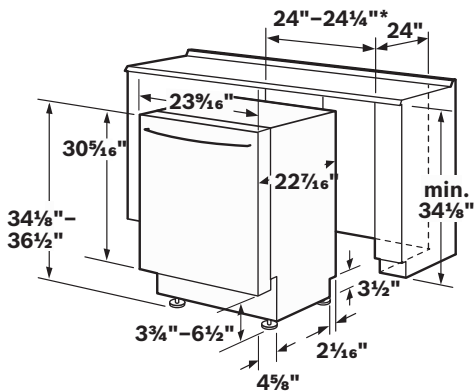
SHE3AR5_UC **SHE43R5_UC**
SHE3AR7_UC **SHE43RL_UC**
SHE3ARL_UC **SHE43P2_UC**
 SHE45R55UC



*23 9/16" without decor strips

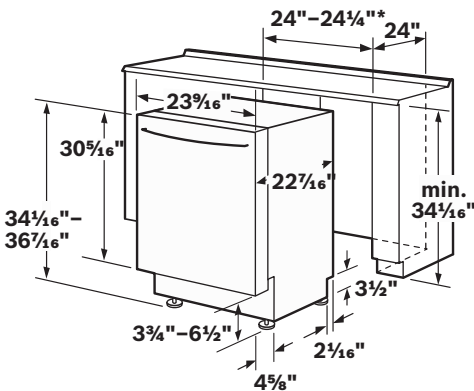
SGE63E06UC
SGE63E15UC

Bar Handle Dishwashers



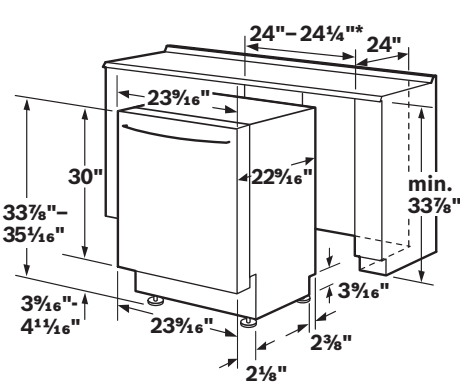
*23 9/16" without decor strips

SHX9ER55UC



*23 9/16" without decor strips

SHX7ER55UC
SHX8ER55UC

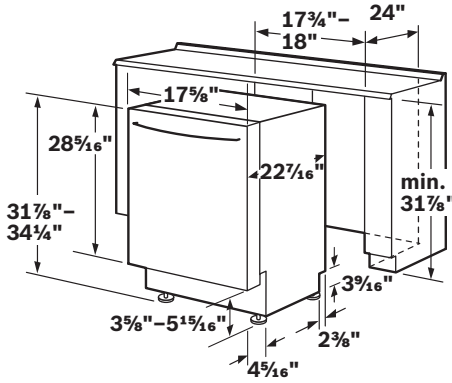
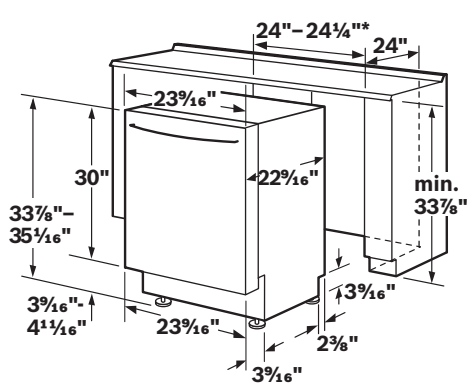


*23 9/16" without decor strips

SHX55R5_UC **SHX68R5_UC**
SHX55RL5UC **SHX98M09UC**

Note: Dimensions are for planning only. For details, see installation manual, or visit www.bosch-home.com/us. Specifications subject to change without notice. For immediate installation dimensions by fax, call 1.925.284.3558. Use code #8317 for a directory of Bosch products. Also available online at dexpress.com.

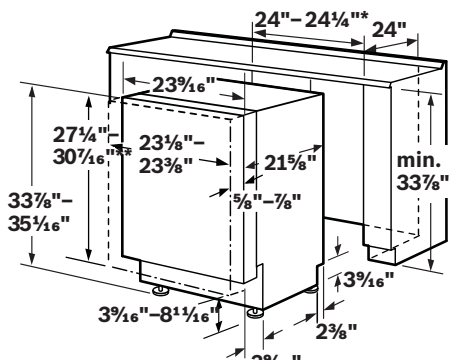
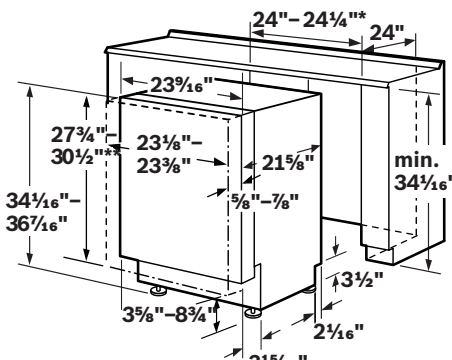
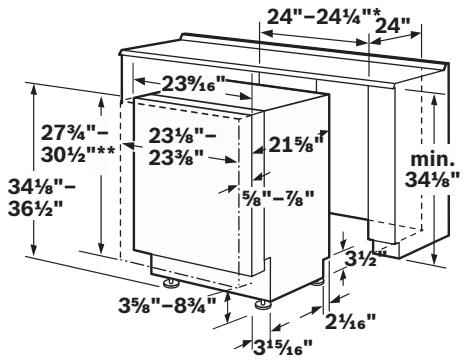
Bar Handle Dishwashers



*23 3/8" without decor strips
 SHX3AR5_UC SHX33RL5UC
 SHX3AR7_UC SHX43R5_UC

SRX53C15UC

Custom Panel Dishwashers



* 23 3/8" without decor strips
 ** Measured from the lower edge of the worktop.
 Recommended panel thickness 3/4".
 Panel weight 9-18 lbs.

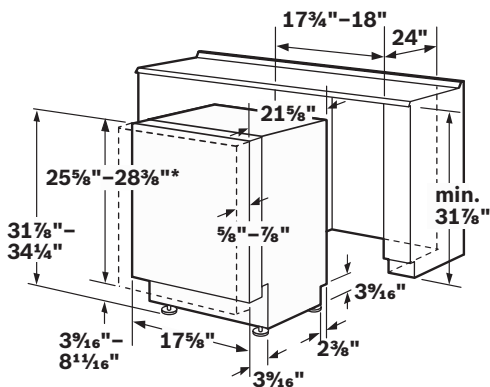
* 23 3/8" without decor strips
 ** Measured from the lower edge of the worktop.
 Recommended panel thickness 3/4".
 Panel weight 9-18 lbs.

* 23 3/8" without decor strips
 ** Measured from the lower edge of the worktop.
 Recommended panel thickness 3/4".
 Panel weight 9-18 lbs.

SHV9ER53UC

SHV7ER53UC

SHV43R53UC SHV68R53UC
 SHV55R53UC

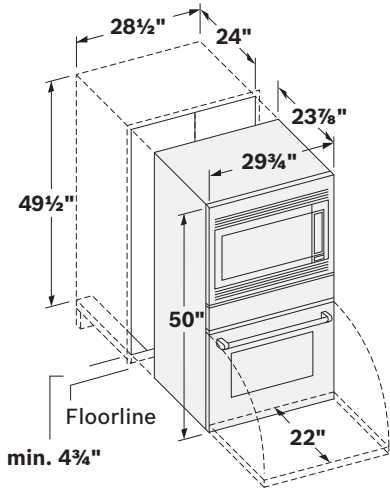


* Measured from the bottom edge of the countertop.
 Recommended panel thickness 3/4".

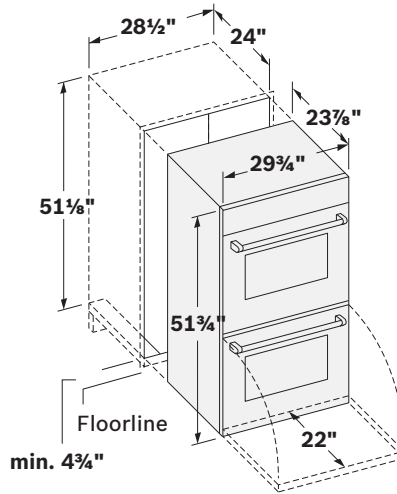
SRV53C13UC

Oven, Microwave and Warming Drawer Dimensions and Installation

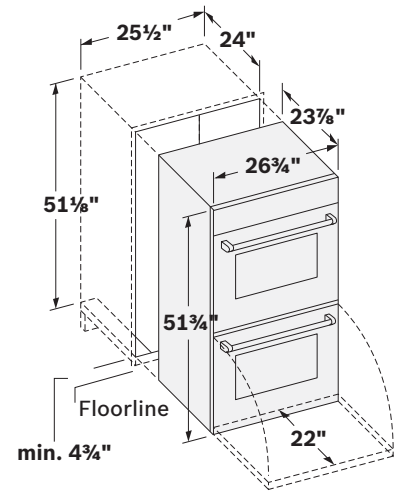
Ovens



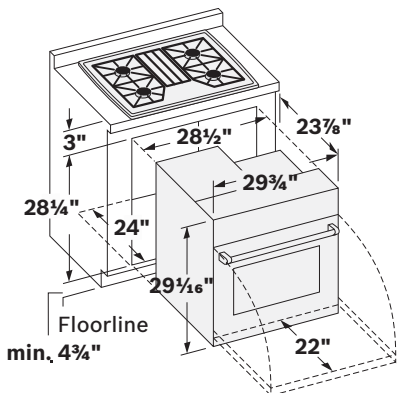
30" Combination Models



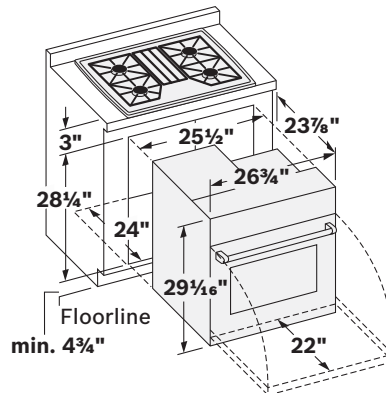
30" Double Models



27" Double Models

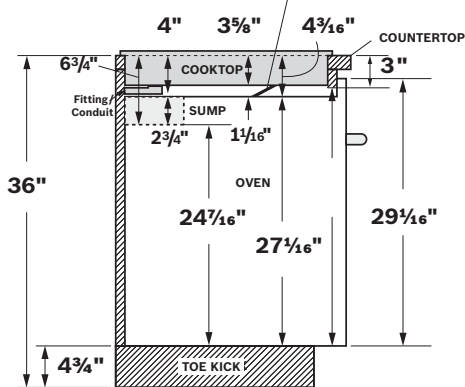


30" Single Models



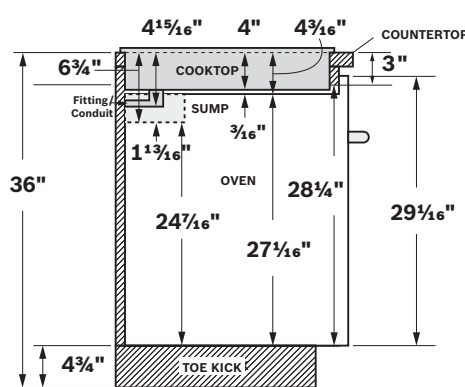
27" Single Models

Heat shield: Self positioning – 2 3/8" length, Minimum required air clearance: 1"



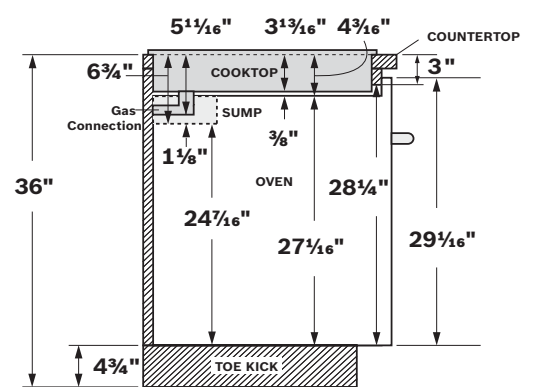
30" Single Models, Under Induction Cooktop

The built-in oven can be installed below the induction cooktop as long as there is an air clearance of 1" between the bottom of the cooktop and the top of the oven.



30" Single Models, Under Electric Cooktop

The built-in oven can be installed below the electric cooktop as long as there is no contact between the bottom of the cooktop and the top of the oven.



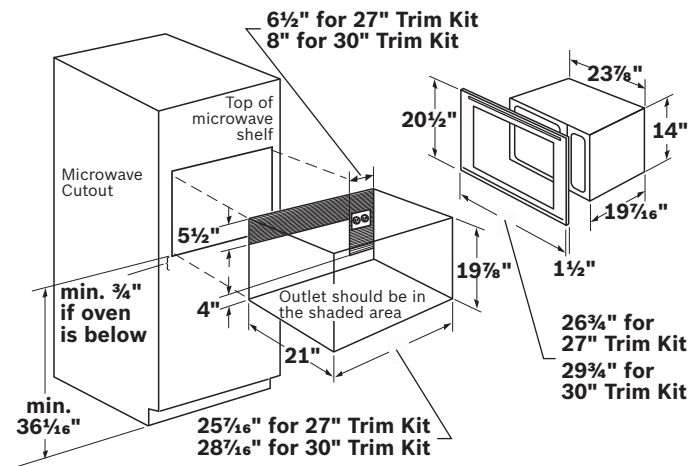
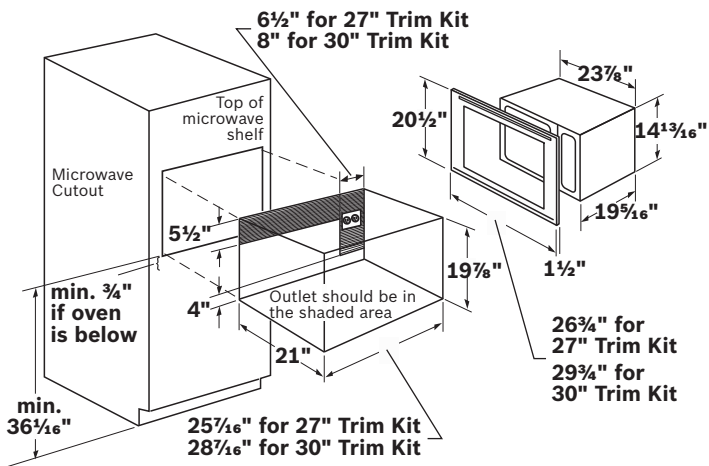
30" Single Models, Under Gas Cooktop

The built-in oven can be installed below the gas cooktop as long as there is no contact between the bottom of the cooktop and the top of the oven.

Note: Dimensions based on standard countertop height (36" with 4" toe kick including base plate).

Note: Dimensions are for planning only. For details, see installation manual, or visit www.bosch-home.com/us. Specifications subject to change without notice. For immediate installation dimensions by fax, call 1.925.284.3558. Use code #8317 for a directory of Bosch products. Also available online at dexpress.com.

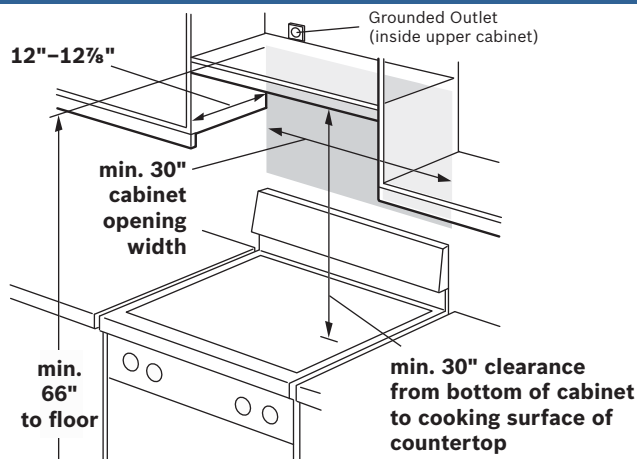
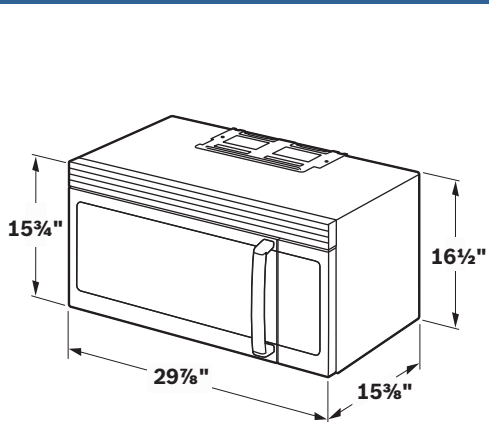
Built-in Microwaves



HMB80x0

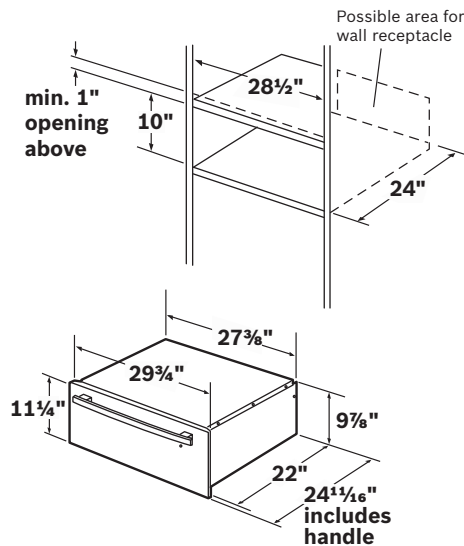
HMB50x0

Over-the-Range Microwaves

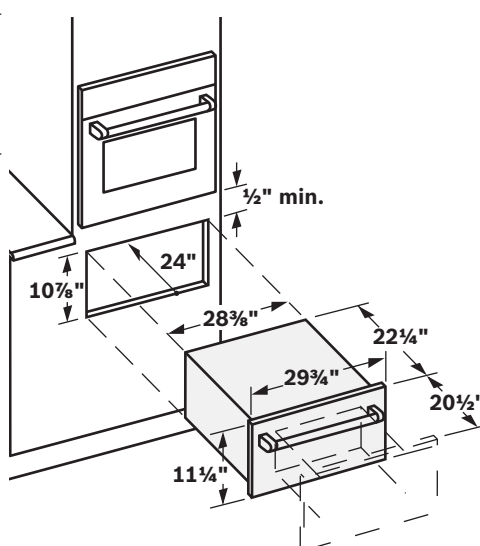


HMV30x1U, HMV5051U, HMV8051U

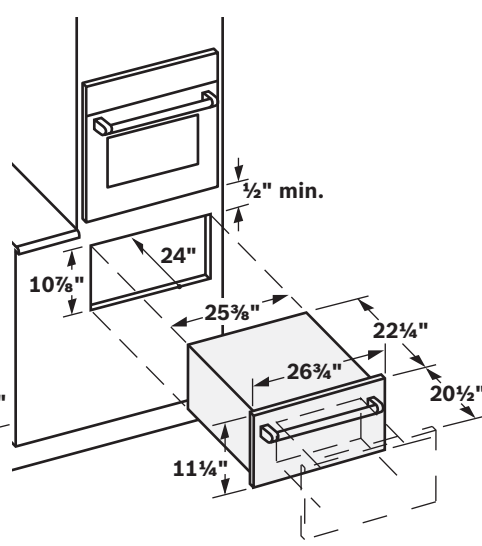
Warming Drawers



HWC800500



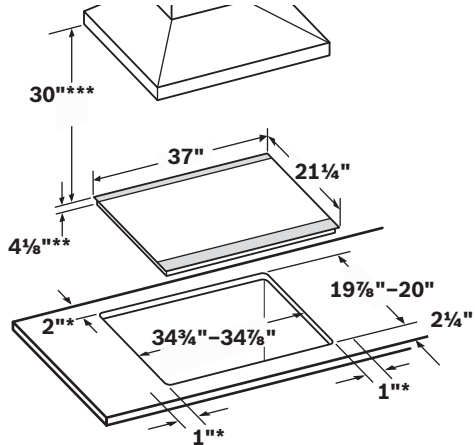
HWD30x0UC



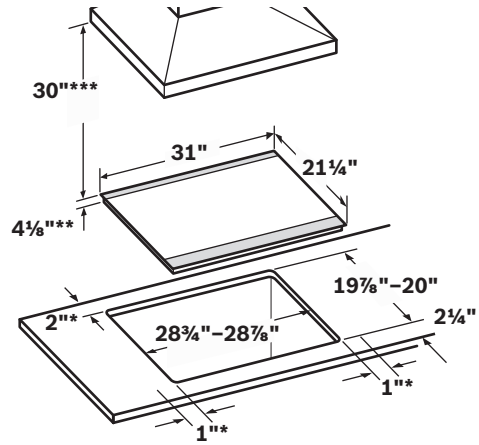
HWD2750UC

Cooktop Dimensions and Installation

Induction Cooktops



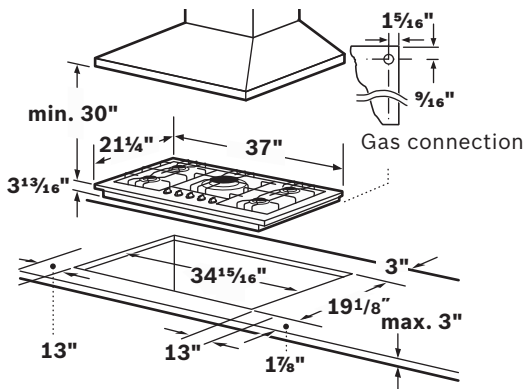
36" Models



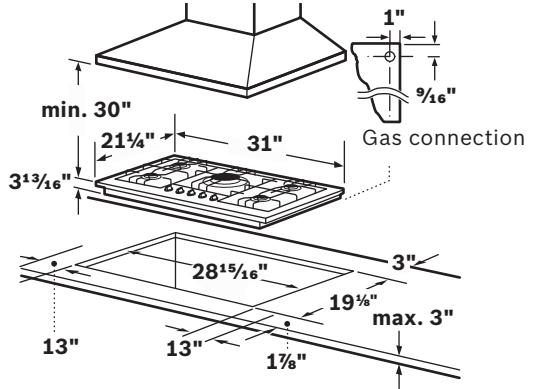
30" Models

- * Minimum distance from the cooktop cutout to the wall
- ** Installed depth includes 1" of air clearance
- *** Minimum distance between surface of the cooktop and lower edge of the exhaust hood

Gas Cooktops

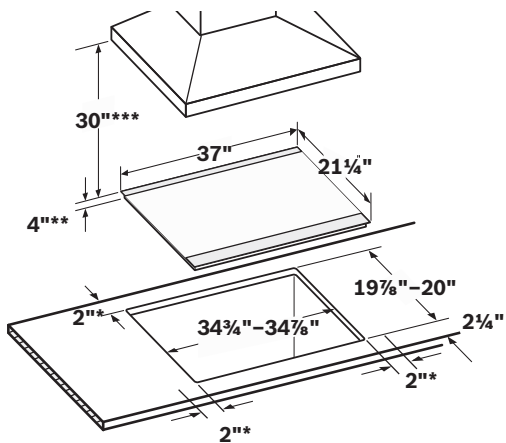


36" Models

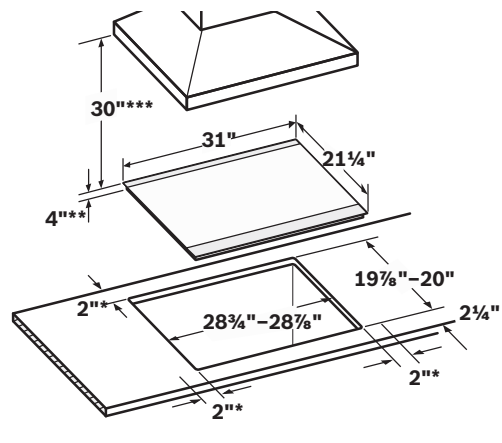


30" Series Models

Electric Cooktops



36" Models



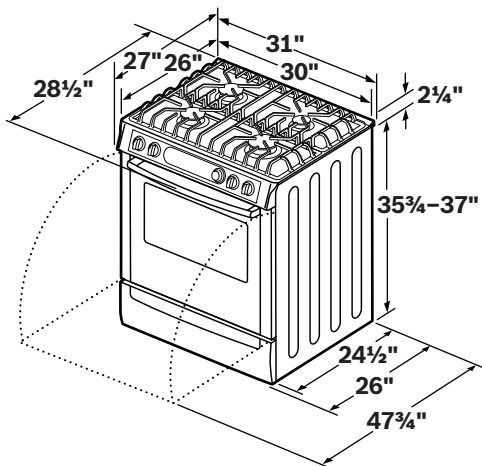
30" Series Models

- * Minimum distance from the cooktop cutout to the wall
- ** Maximum cutout depth
- *** Minimum distance between surface of the cooktop and lower edge of the exhaust hood

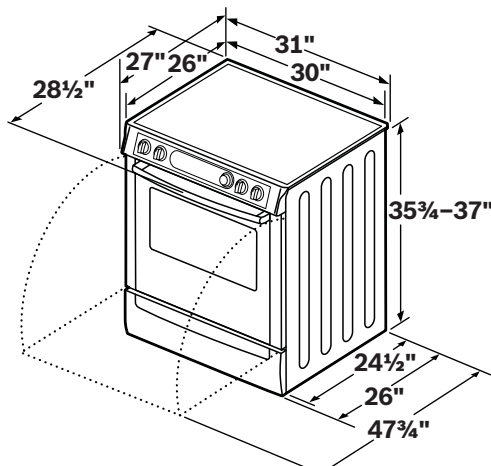
Note: Dimensions are for planning only. For details, see installation manual, or visit www.bosch-home.com/us. Specifications subject to change without notice. For immediate installation dimensions by fax, call 1.925.284.3558. Use code #8317 for a directory of Bosch products. Also available online at dexpress.com.

Range Dimensions and Installation

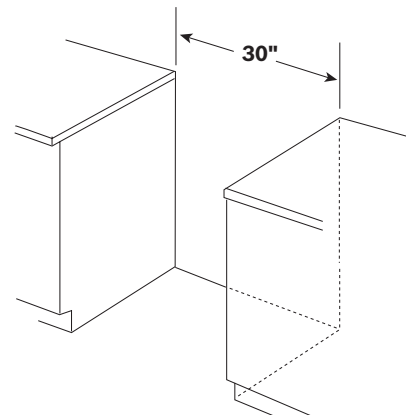
Slide-in Ranges



700 Series Dual-Fuel Models

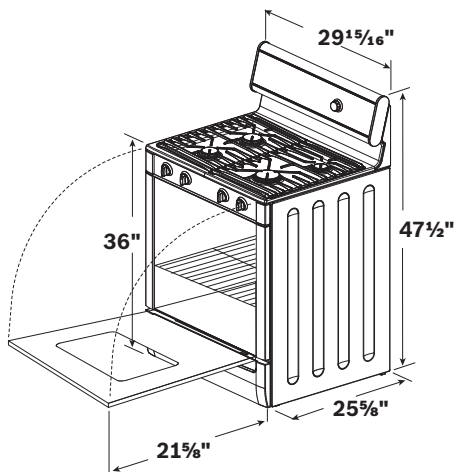


700 Series Electric Models

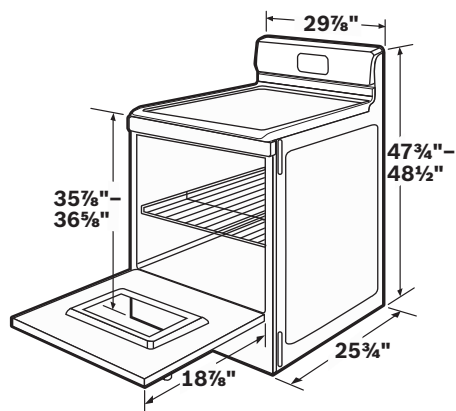


NOTE: Back filler strips not provided for installation in standard range cut-out.

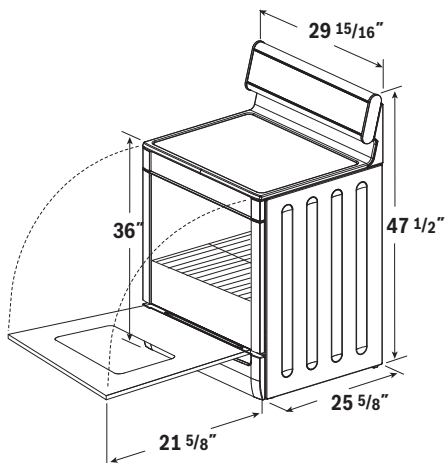
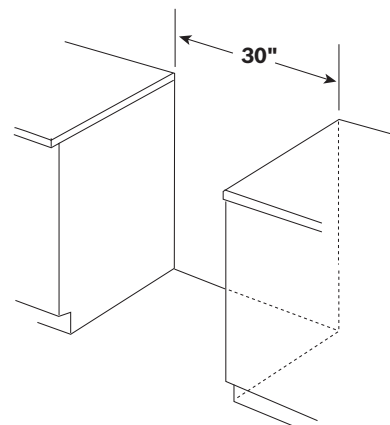
Freestanding Ranges



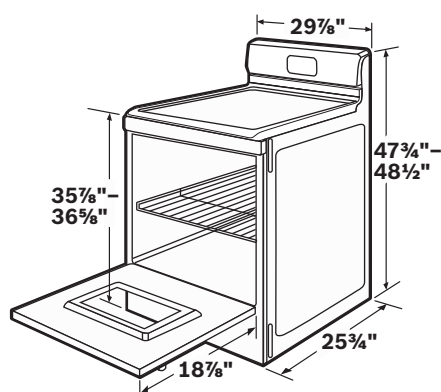
700 Series Gas/Dual-Fuel Models



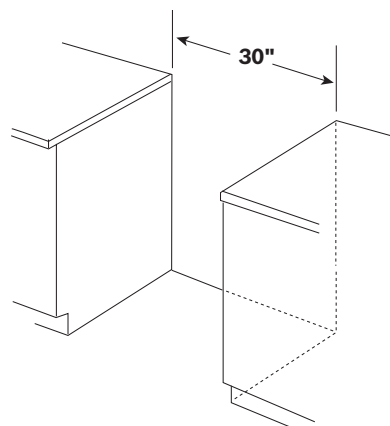
500 and 300 Series Gas Models



700 Series Electric Models

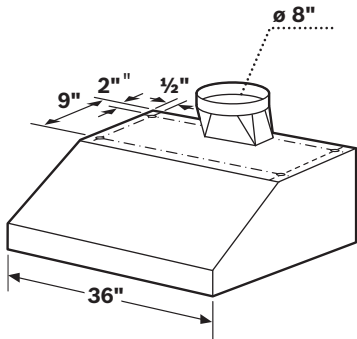


500 and 300 Series Electric Models

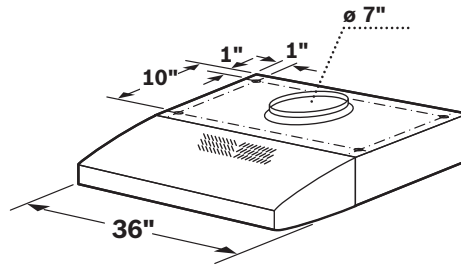


Ventilation Dimensions and Installation

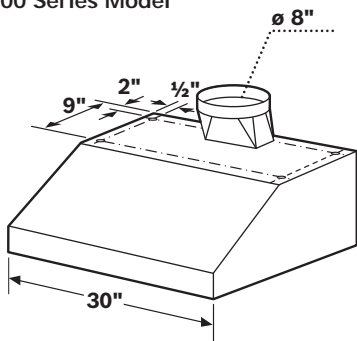
Under-Cabinet Wall Hoods



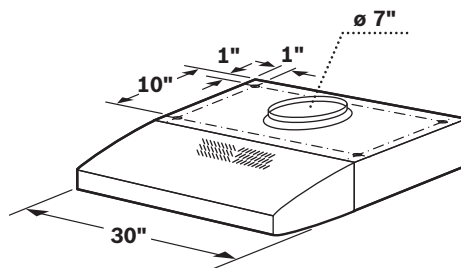
36" 800 Series Model



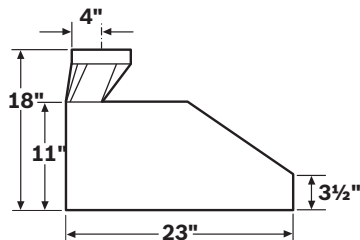
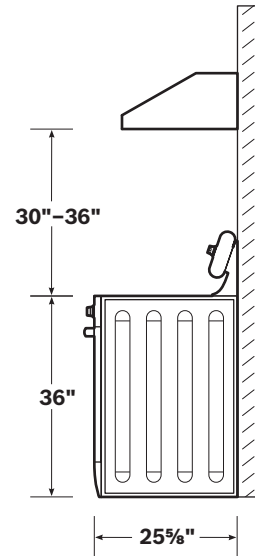
36" 500 and 300 Series Models



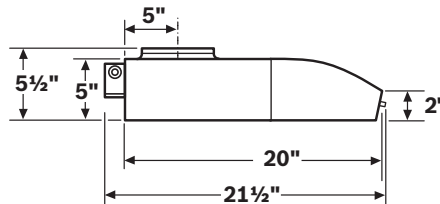
30" 800 Series Model



30" 500 and 300 Series Models

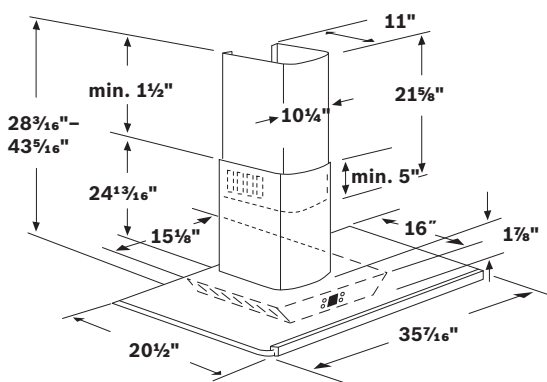


30" and 36" 800 Series Model side view

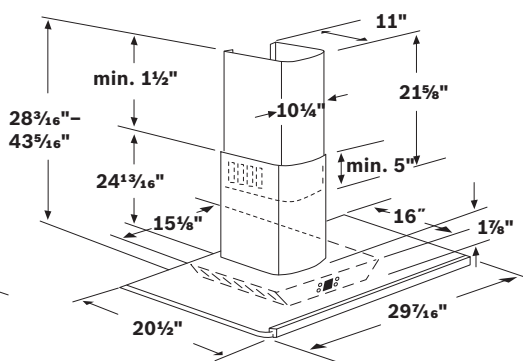


30" and 36" 500 and 300 Series Models

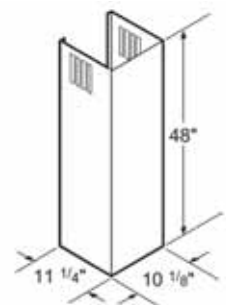
Canopy Wall Hoods



36" 800 Series Models



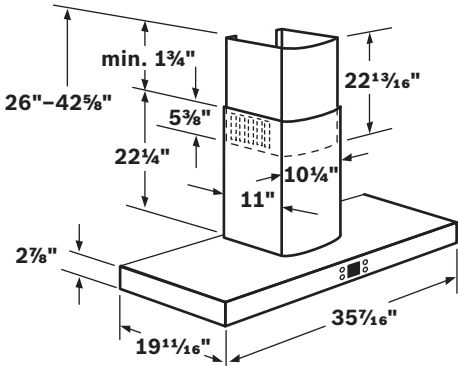
30" 800 Series Models



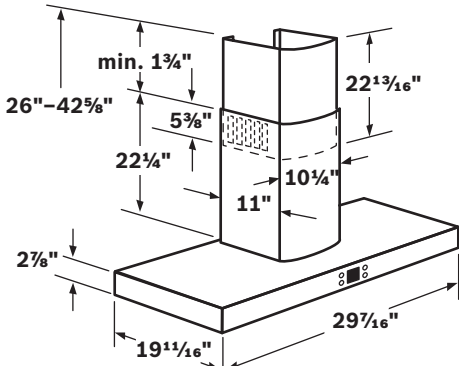
Chimney Extension

Note: Dimensions are for planning only. For details, see installation manual, or visit www.bosch-home.com/us. Specifications subject to change without notice. For immediate installation dimensions by fax, call 1.925.284.3558. Use code #8317 for a directory of Bosch products. Also available online at dexpress.com.

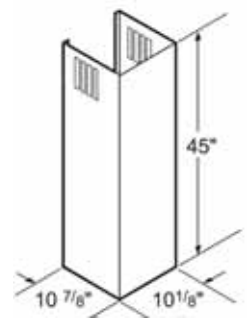
Canopy Wall Hoods



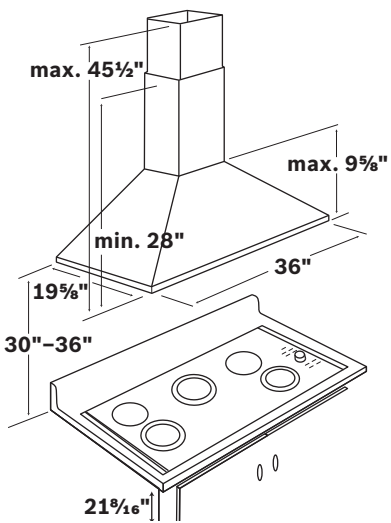
36" 500 Series Models



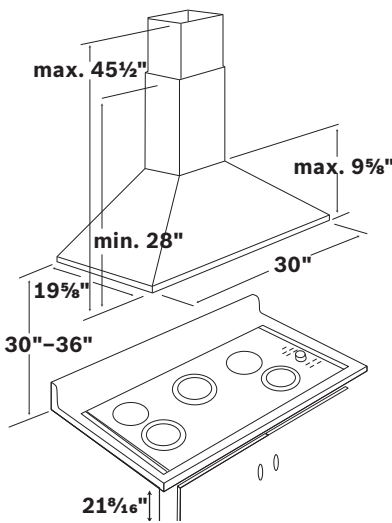
30" 500 Series Models



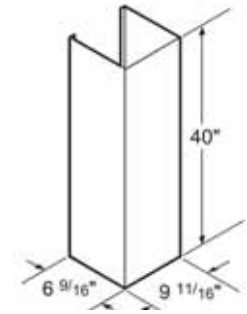
Chimney Extension



36" 300 Series Models

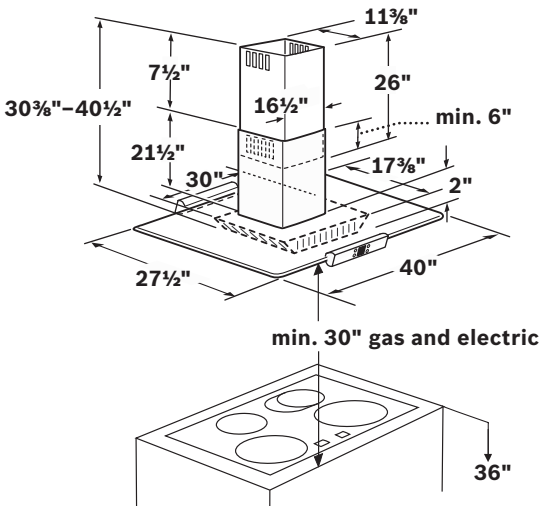


30" 300 Series Models

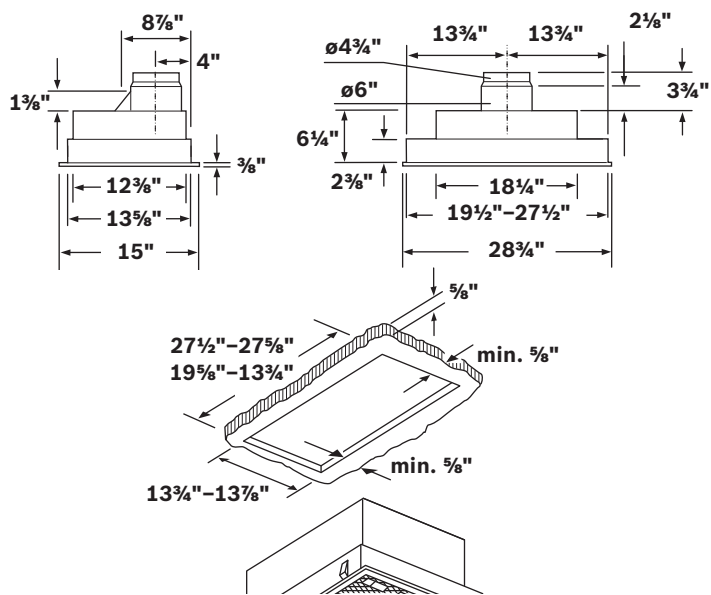


Chimney Extension

Island and Custom Insert Hoods



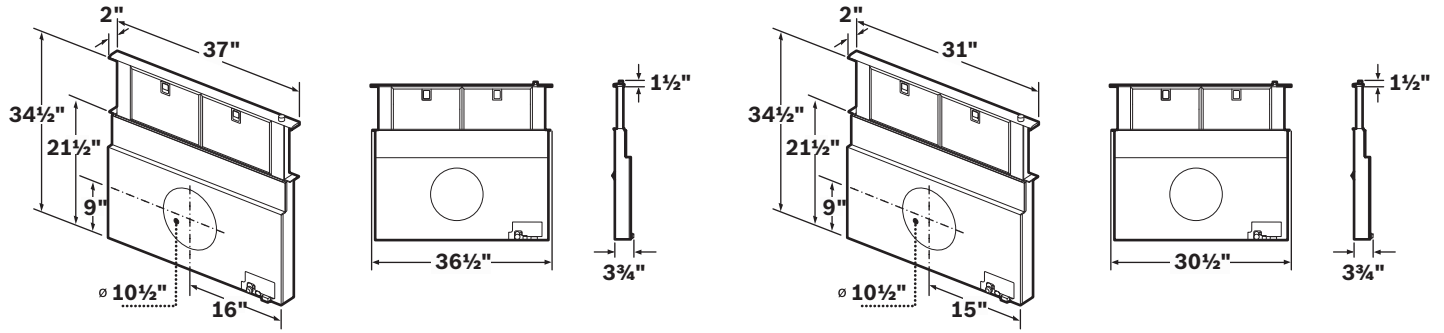
Glass Canopy Island Hood



Custom Insert Hood

Ventilation Dimensions and Installation

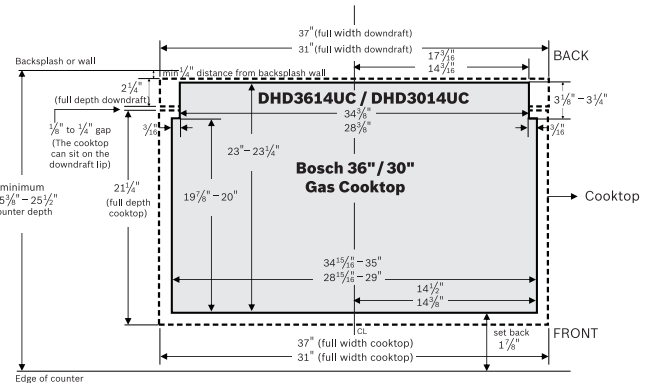
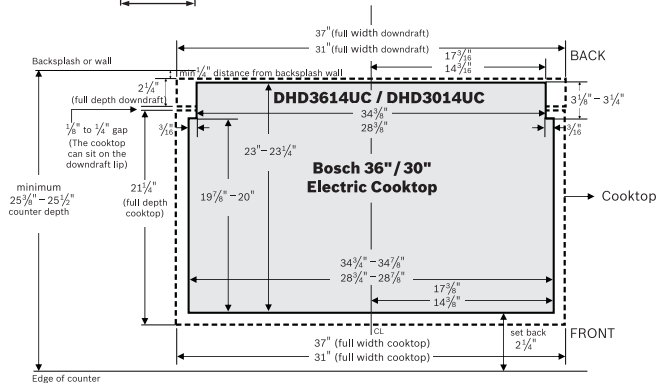
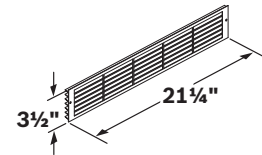
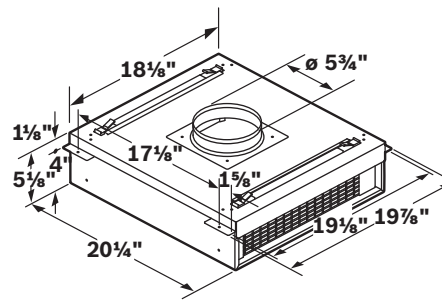
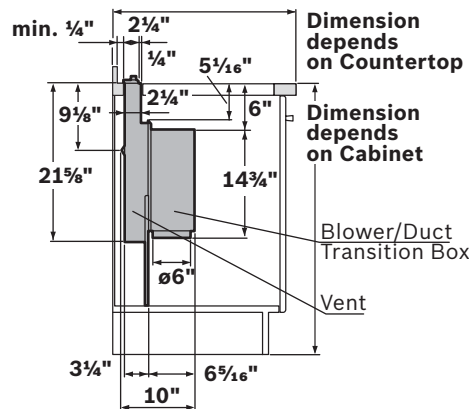
Downdraft



36" Downdraft

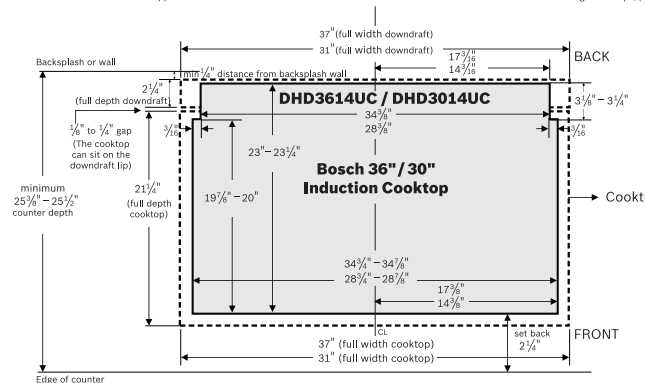
30" Downdraft

DHDRM36UC Recirculation Kit



Note: All dimensions are for current Bosch products. For detailed electrical and gas hookups, please refer to cooktop installation instruction.

Note: All dimensions are for current Bosch products. For detailed electrical and gas hookups, please refer to cooktop installation instruction.

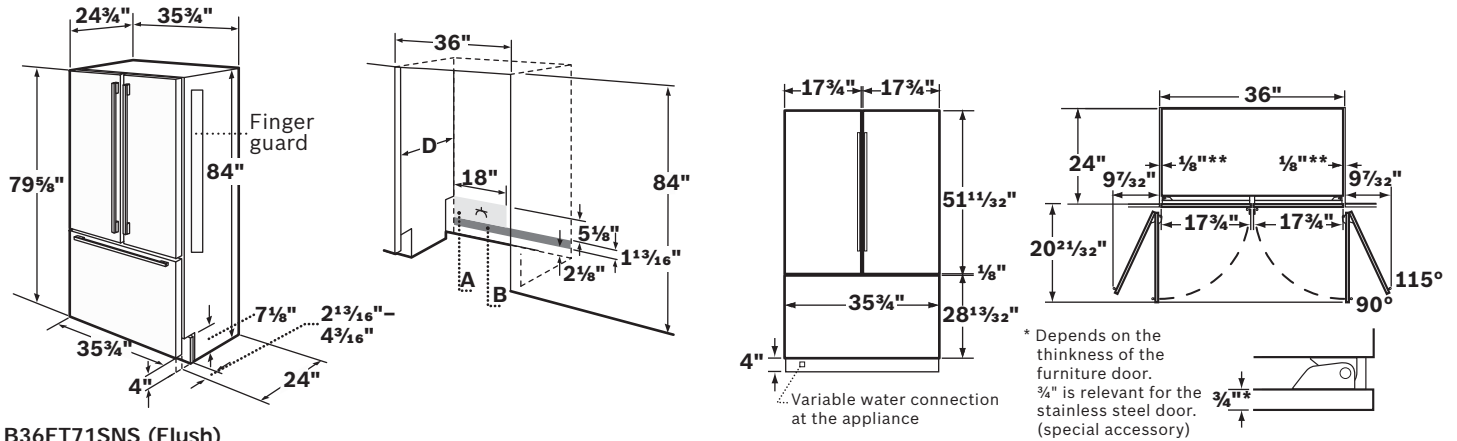


Note: All dimensions are for current Bosch products. For detailed electrical and gas hookups, please refer to cooktop installation instruction.

Note: Dimensions are for planning only. For details, see installation manual, or visit www.bosch-home.com/us. Specifications subject to change without notice. For immediate installation dimensions by fax, call 1.925.284.3558. Use code #8317 for a directory of Bosch products. Also available online at dexpress.com.

Refrigeration Dimensions and Installation

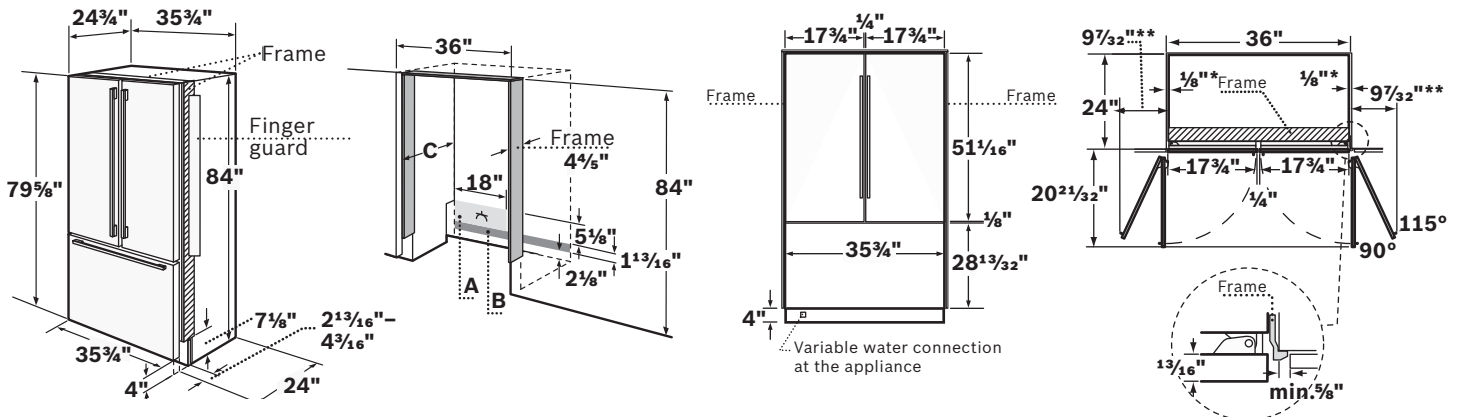
Built-in French Door Refrigerators



B36ET71SNS (Flush)

A: Area for installation of power connection.
 B: Area for running the water line. It is recommended that the water-box is placed adjacent to the installation cavity, so that it can be accessed for service without uninstalling the appliance. If this is not possible, place the recessed water-box adjacent to the water supply socket elevated at the heights as referenced in areas A and B.
 C: Cut-out depth must be at minimum 25" deep for flush design.

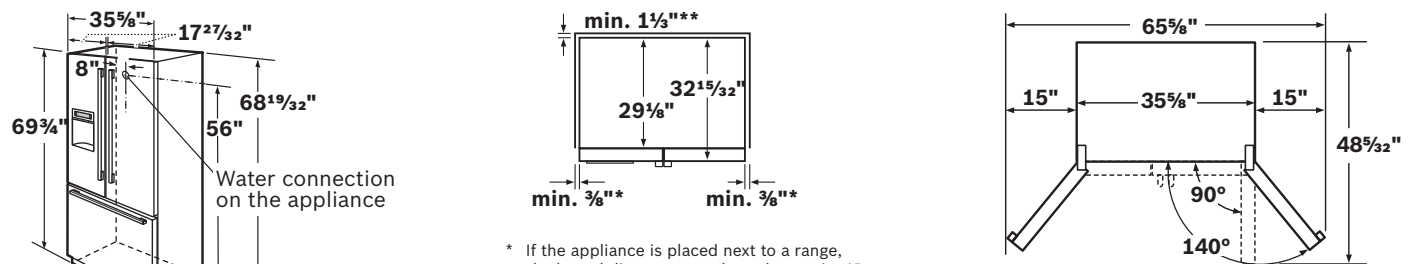
Built-in French Door Refrigerators



B36IT71SNS (Framed)

A: Area for installation of power connection.
 B: Area for running the water line. It is recommended that the water-box is placed adjacent to the installation cavity, so that it can be accessed for service without uninstalling the appliance. If this is not possible, place the recessed water-box adjacent to the water supply socket elevated at the heights as referenced in areas A and B.
 C: Cut-out depth must be at minimum 24" deep.

Standard-depth French Door Refrigerators

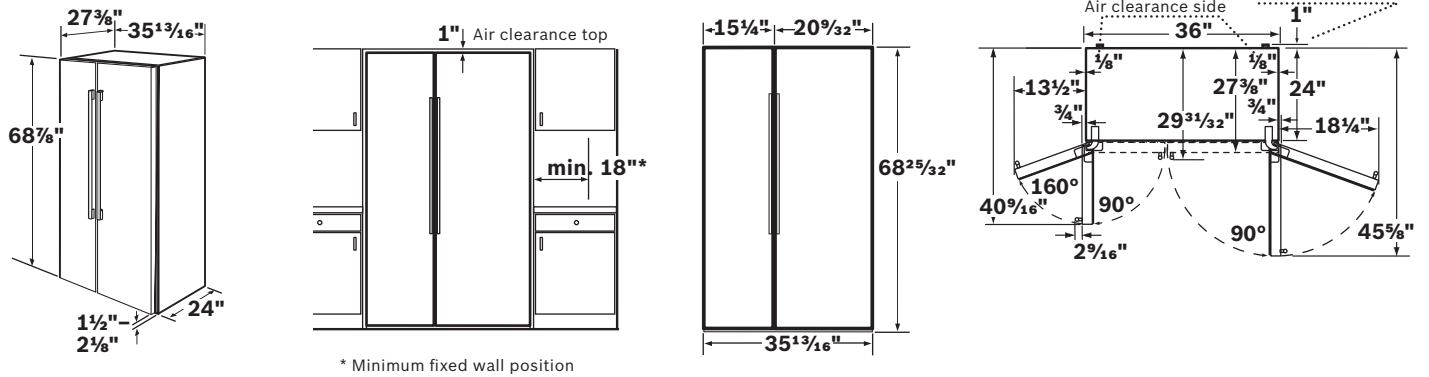


B26FT70SNS

Drawers can be pulled out with door open 90°. Drawers can be taken out with door completely opened.

Refrigeration Dimensions and Installation

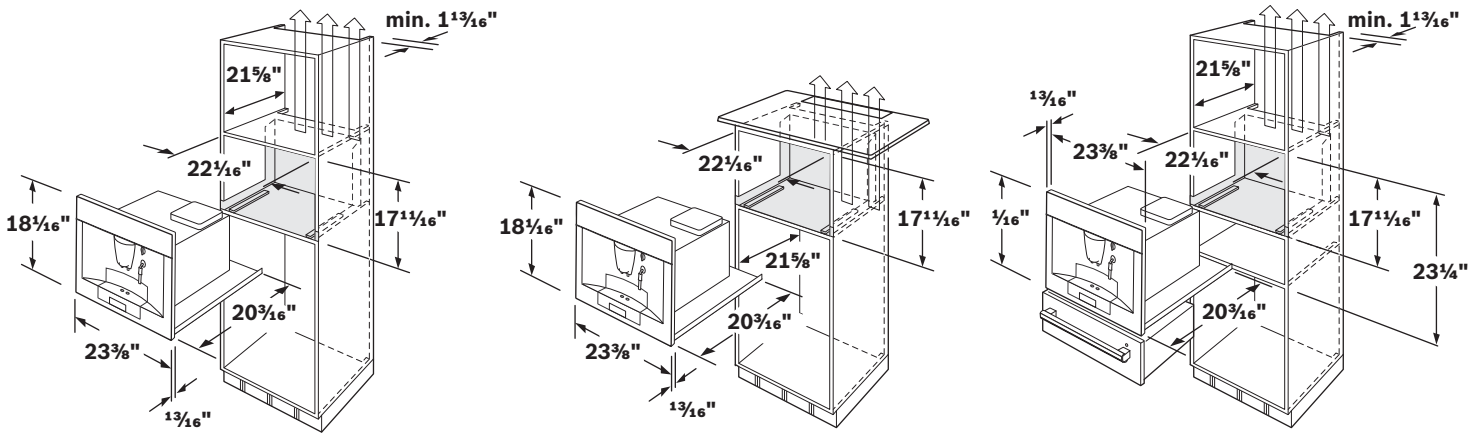
Counter-depth Side-by-side Refrigerators



B22CSx0SNx

Built-in Coffee Machine Dimensions and Installation

Built-in Benvenuto® Coffee Machine

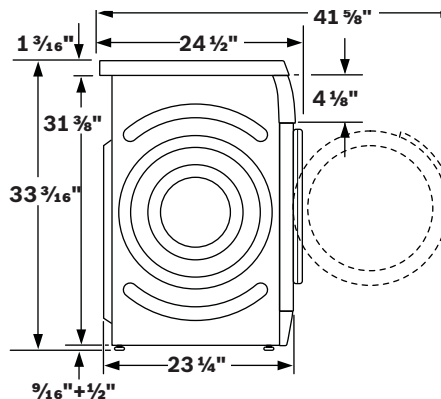
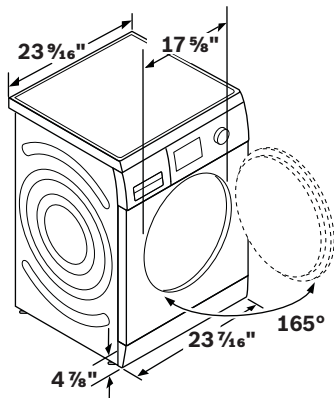


TKN68E75UC

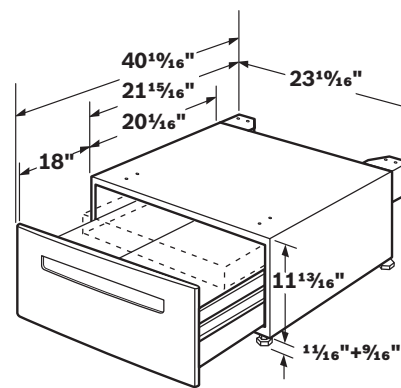
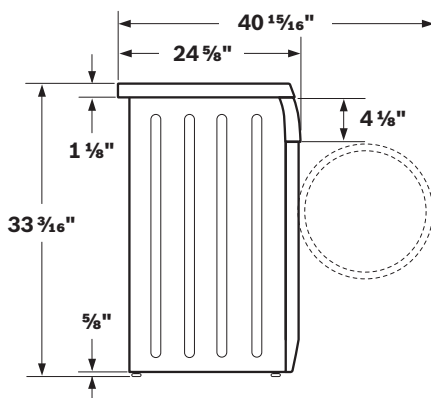
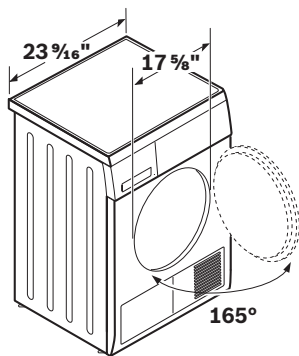
Note: Dimensions are for planning only. For details, see installation manual, or visit www.bosch-home.com/us. Specifications subject to change without notice. For immediate installation dimensions by fax, call 1.925.284.3558. Use code #8317 for a directory of Bosch products. Also available online at dexpress.com.

Laundry Dimensions and Installation

Compact Washers and Dryers

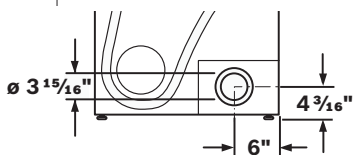


WAS Washers¹

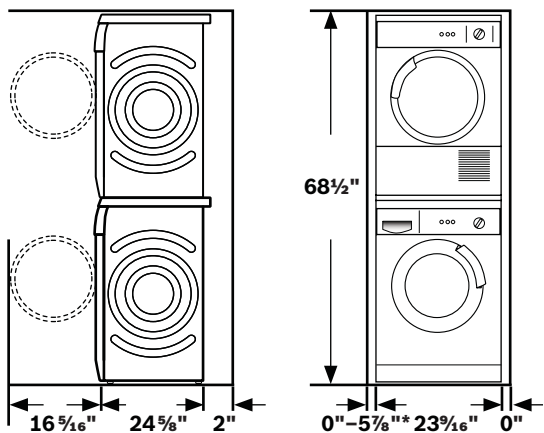


WTE/WTV Dryers

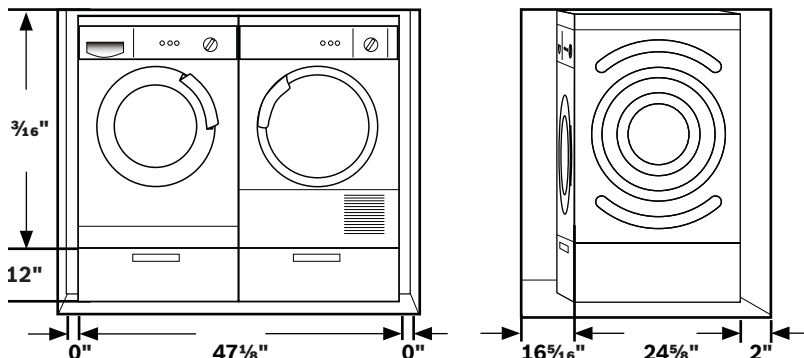
WMZ2046



¹ Minimum stacking height 68 1/2"



Closet installation with WTE863100US



Undercounter Installation (with required clearance)

*Install with WTV dryer if vented to the left side.

Warranties

Dishwasher

Limited warranty, entire appliance, parts and labor (1 year)

Limited warranty for non-electronic components; parts only (1st to 2nd year)

Limited warranty for microprocessor or printed circuit board; parts only (2nd to 5th year)

Limited warranty for racks (does not include rack components); parts only (2nd to 5th year)

Limited warranty for rust-through on inner tub liner; parts only (lifetime)

Laundry

Limited warranty, entire appliance, parts and labor (1 year)

Ovens

Limited warranty, entire appliance, parts and labor (1 year)

Cooktops

Limited warranty, entire appliance, parts and labor (1 year)

Ranges

Limited warranty, entire appliance, parts and labor (1 year)

Ventilation

Limited warranty, entire appliance, parts and labor (1 year)

Microwave

Limited warranty, entire appliance, parts and labor (1 year)

Warming Drawer

Limited warranty, entire appliance, parts and labor (1 year)

Refrigeration

Limited warranty, entire appliance, parts and labor (1 year)

Limited warranty for non-electronic components; parts only (1st to 2nd year)

Limited warranty for electronic components; parts only (2nd to 5th year)

Limited warranty for rust-through on stainless steel; parts only (lifetime)



