

# NORTHLAND

## INSTALLATION INSTRUCTIONS

For reference, please record the model number, the serial number and the date of purchase. Model number and serial number are found on the serial nameplate, which is located at the top of the liner – on the right – behind the light shield.

Date of Purchase \_\_\_\_\_

Dealer's Name \_\_\_\_\_

Dealer's Address \_\_\_\_\_

Dealer's City \_\_\_\_\_

Dealer's State \_\_\_\_\_ Zip \_\_\_\_\_

Appliance Serial Number \_\_\_\_\_

Model Number \_\_\_\_\_

## CONTENTS:

TOOL LIST & UNPACKING INSTRUCTIONS .....	3
PRE-INSTALLATION INSTRUCTIONS .....	4
INSTALLATION INSTRUCTIONS .....	5
CORNER INSTALLATION AND INSTALLING TWO UNITS SIDE BY SIDE .....	6
LEVELING THE UNIT .....	7
ROLLER AND LEG ADJUSTMENTS .....	8
INSTALLING THE CABINET .....	9
INSTALLING THE MODULE .....	10
INSTALLING THE ICE MAKER .....	11
ALTITUDE ADJUSTMENT FOR TEMPERATURE CONTROL .....	12
INSTALLING THE GRILL ASSEMBLY .....	13
HINGE AND GASKET ADJUSTMENT AND FACE MOUNTED DOOR HANDLE .....	14
SIDE PANEL INSTALLATION AND KICK PLATE INSTALLATION .....	15
CUSTOM DOOR AND GRILL PANELS .....	16, 17
“TRIMLESS” DOOR / GRILL PANELS .....	18
INSTALLATION CHECKS / ERRORS AND TROUBLESHOOTING .....	19, 20

**Before you begin** - Read these instructions completely and carefully.

**IMPORTANT** - Save these instructions for local inspector's use.

**IMPORTANT - OBSERVE ALL GOVERNING CODES AND ORDINANCES.**

**Note to Installer** - Be sure to leave these instructions with the Consumer.

**Note to Consumer** - Keep these instructions with your Use and Care Book for future reference.

# UNPACKING:

Check Cabinet and Power Module for freight damage.

This cabinet was carefully packed and thoroughly inspected before leaving our factory. Responsibility for its safe delivery was assumed by the carrier upon acceptance of the shipment. Claims for loss or damage sustained in transit must be made on the carrier as follows:

**Exterior damage:** Make thorough damage notation on your delivery receipt and have driver acknowledge by signature and date. Send a written request for an inspection report from carrier. Include the name of carrier representative and the date the inspection was requested. Retain inspection report and receipt for filing of the claim.

**Concealed damage:** This must be reported to the carrier within fifteen days. Obtain inspection report from the carrier. Retain the inspection report for filing of the claim.

**DO NOT RETURN DAMAGED MERCHANDISE TO MANUFACTURER-  
FILE THE CLAIM WITH THE CARRIER.**

Protect kitchen floor. Remove all packing materials from cabinet and if there was no freight damage destroy cartoning, plastic bags and any exterior wrapping material. Children should never use these items for play. Remove all staples from the carton. Staples can cause severe cuts and destroy finishes if they come in contact with other appliances or furniture. Carefully read and follow the child safety precautions in the pamphlet enclosed with your new refrigerator. It is published by the Association of Home Appliance Manufacturers.

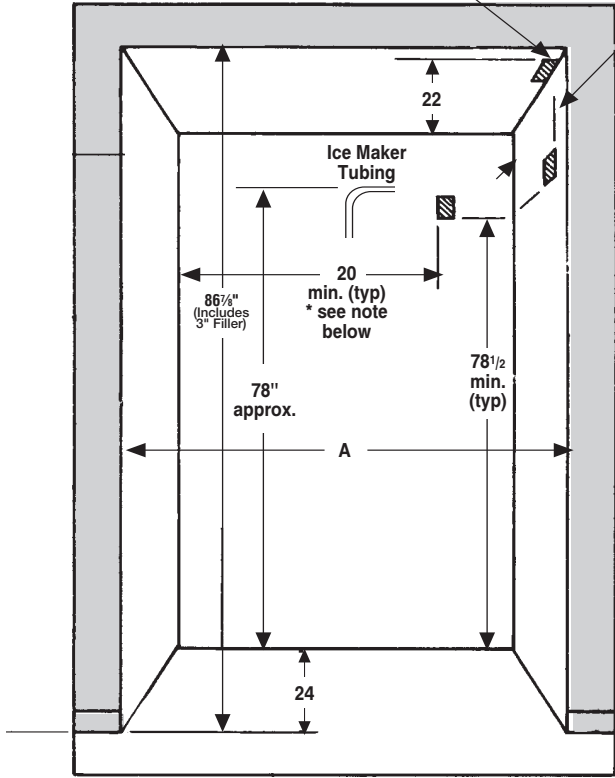
## TOOLS TO HAVE AVAILABLE

Phillips screwdriver  
Flat blade screwdriver  
5/16" & 1/4" hexhead nutdriver  
Level  
Drill and Drill Bit (#6 - .204)  
7/16" & 1/2" open end wrench

Pliers  
Adjustable wrench  
1/4" open end wrench  
Utility knife  
Tape measure

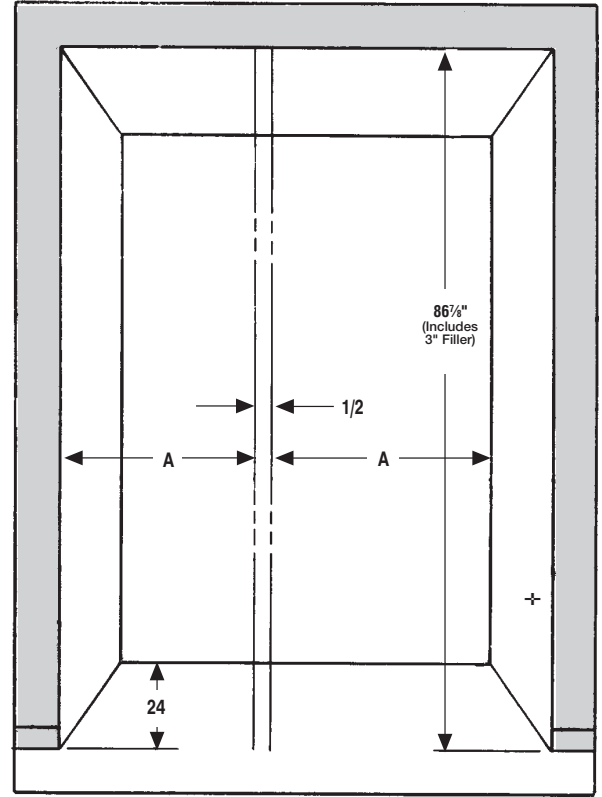
# PRE-INSTALLATION INSTRUCTIONS

Receptacle must be placed in this location for 18" Models



**ROUGH-IN DETAIL FOR (1) UNIT**  
ROUGH-IN WIDTH = "A"

	Rough-in Width
18AR	17 1/2
18AF	17 1/2
18TF	17 1/2
18MT	17 1/2
24AR	23 1/2
24AF	23 1/2
24TF	23 1/2
24MT	23 1/2
30AR	29 1/2
30AF	29 1/2
30TF	29 1/2
30MT	29 1/2
36AR	35 1/2
36AF	35 1/2
36TF	35 1/2
36MT	35 1/2
36SS	35 1/2
363D	35 1/2
42SS	41 1/2
48SS	47 1/2
72SS	71 1/2

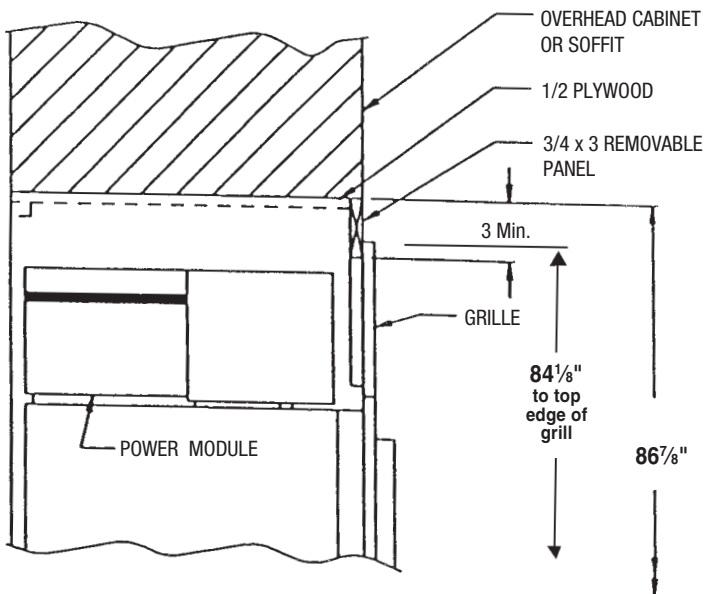


**\* ROUGH-IN DETAIL FOR (2) UNITS PLACED SIDE BY SIDE**  
ROUGH-IN WIDTH = "A" + "A" + 1/2"

Floor under Product MUST be at or above the same level as the surrounding FINISHED floor, for ease of installation and removal.

**ELECTRICAL:** Provide 115 Volt, 60 Cycle, Single Phase, 15 Amp, AC Receptacle. It is recommended that a separate circuit, serving only this appliance, be provided. \* Two (2) units side by side, require separate circuits, except 72RF. (See instruction sheet 34361-000). Electrical opening should be placed 78 1/2" from floor.

**PLUMBING:** Ice Maker water supply line (1/4" O.D. Copper Tubing) to come up the rear of rough-in opening approximately 78" off the floor depending on height adjustment. Tubing should then pass around right side of module and around the front to the solenoid valve (see Installation Instructions provided with the unit).



## IMPORTANT

For installation under a cabinet or soffit, a 3" space should be provided above the Power Module (as shown on left). Use a removable panel so that the Module can be installed or removed easily without disturbing the lower cabinet.

**Note:** Recommended rough-in height (86 7/8") (Includes 3" filler).

## \*\*NOTE

If no overhead cabinet or soffit is present, you must cover the top of the rough opening with at least 1/2" plywood.

# – READ THIS BEFORE PROCEEDING WITH INSTALLATION –

---

The Module comes with a 3-prong power supply cord. It must be plugged into a mating 115 volt, 60 Hz, 15 amp separately fused, 3-prong grounded outlet serving only this product, and wired in accordance with National and Local Electrical Codes and ordinances. A time delay fuse or circuit breaker is recommended. **DO NOT USE AN EXTENSION CORD OR ADAPTER PLUG.**

## **DO NOT REMOVE THE GROUND PRONG FROM THE POWER SUPPLY CORD UNDER ANY CIRCUMSTANCES!**

If voltage varies by 10 percent or more, performance of your refrigerator may be affected. Operating the refrigerator with insufficient voltage can damage the compressor. Such damage is not covered under your warranty. If you suspect your voltage is high or low, consult your power company for testing.

Do not pinch, knot, or bend the power cord in any manner.

Never unplug the refrigerator by pulling on the power cord. Always grip the plug firmly and pull straight out from the receptacle. To avoid electrical shock, unplug the refrigerator before cleaning and before replacing a light bulb.

**NOTE:** Turning the control to OFF turns off the compressor, but does not disconnect power to the light bulb or other electrical components. The unit must be unplugged or turned off at the circuit breaker.

---

## **IMPORTANT**

Locate the refrigerator in the coolest part of the room, out of direct sunlight and away from heating ducts or registers.

Do not place the refrigerator next to heat-producing appliances such as a range, oven or dishwasher. If this is not possible, a section of cabinetry or an added layer of insulation between the two appliances will help the refrigerator operate more efficiently.

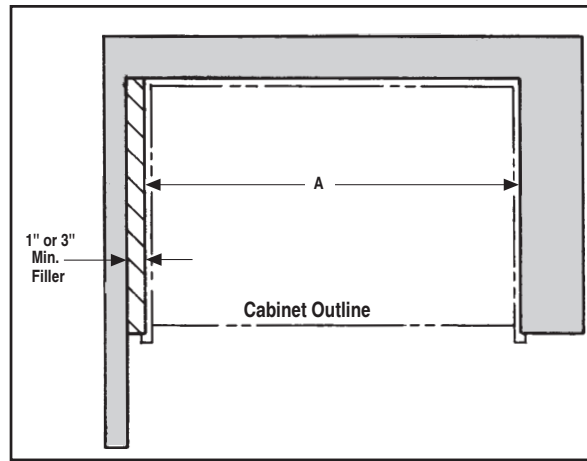
**IMPORTANT:** When installing water line for the Ice Maker, be sure to install a SHUT-OFF VALVE at a convenient location between the Refrigerator and the supply line.

Required water pressure range is 20 to 120 P.S.I.

Also required is an in-line WATER FILTER between the Refrigerator and the supply line to prevent sediment from blocking water flow through the Water Solenoid Valve.

## **NOTE**

Self-piercing water valves and plastic tubing are not approved for water supply to Ice Maker.

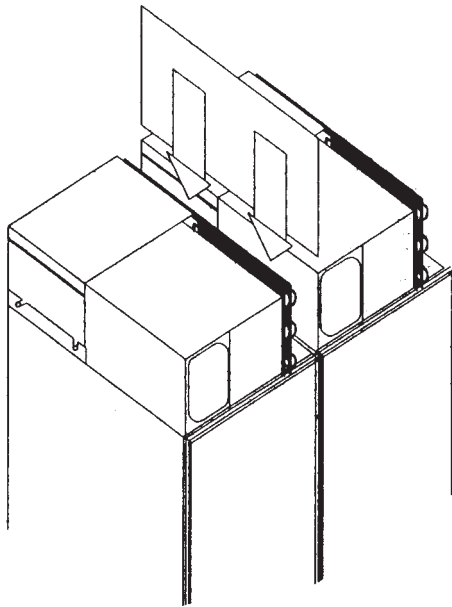


Enclosure must permit Refrigerator to be removed for Service.

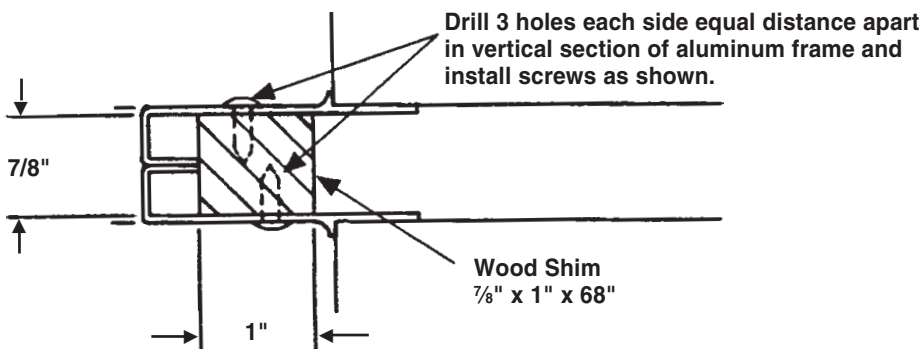
**PANEL READY UNITS:** for corner installations, a minimum 1" filler must be used as shown above.

**ANY UNIT WITH FACE MOUNTED HANDLE:** filler must be 3" minimum.

## INSTALLING TWO UNITS SIDE-BY-SIDE

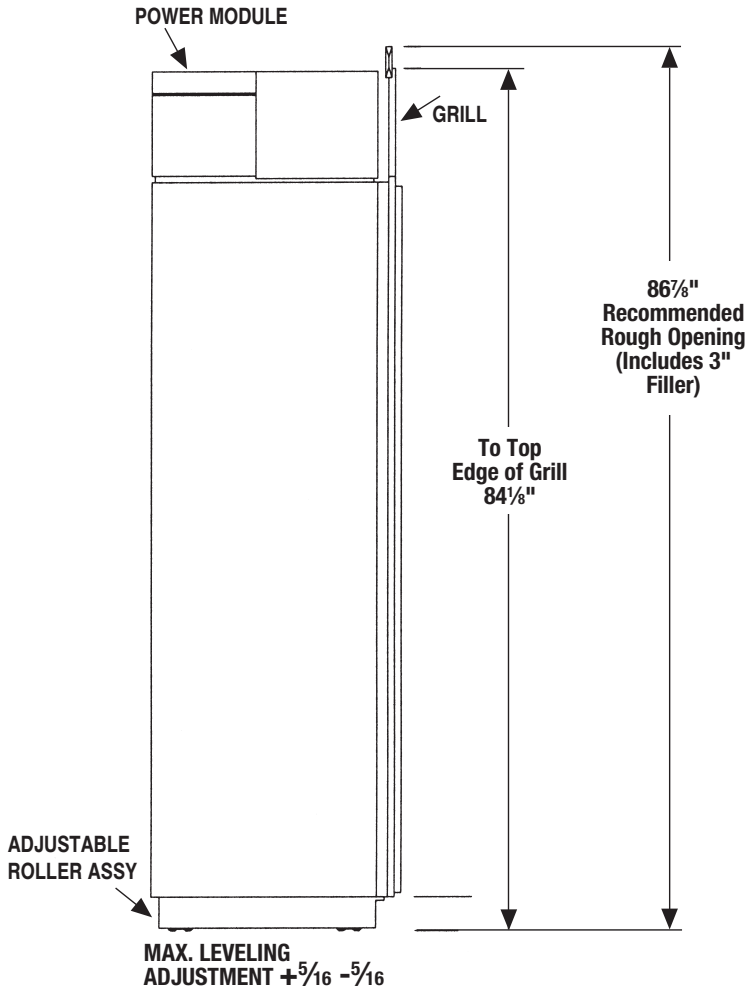
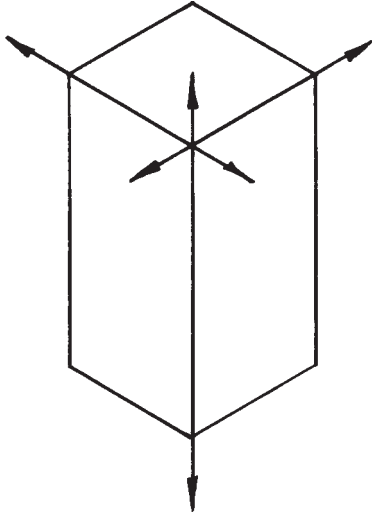


When two units are installed together, a 23½" x 12"(min.) divider panel needs to be installed between the two modules (refer to illustration) with self-tapping screws. The divider panel can be made of any material available i.e. ½" aluminum, ¼"-½" wood paneling), or you can order Kit #34747-000 from the Northland Service Department. Locate the divider panel approximately 1" down from top of cabinet and flush with back of cabinet. Drill three pilot holes approximately ½" up from bottom of divider panel, through panel, and into cabinet. Secure panel to cabinet with three screws using pilot holes previously drilled.



- \* Install Wood Shim to one of the Cabinets before installing in rough-in cavity.
- \* After properly installing both Cabinets, drill trim and install pan head screws (provided).

**NOTE:**  
**UNIT MUST BE INSTALLED LEVEL**  
**IN ALL PLANES, ON A FLOOR**  
**THAT IS STRONG ENOUGH TO**  
**SUPPORT A FULLY LOADED**  
**REFRIGERATOR.**

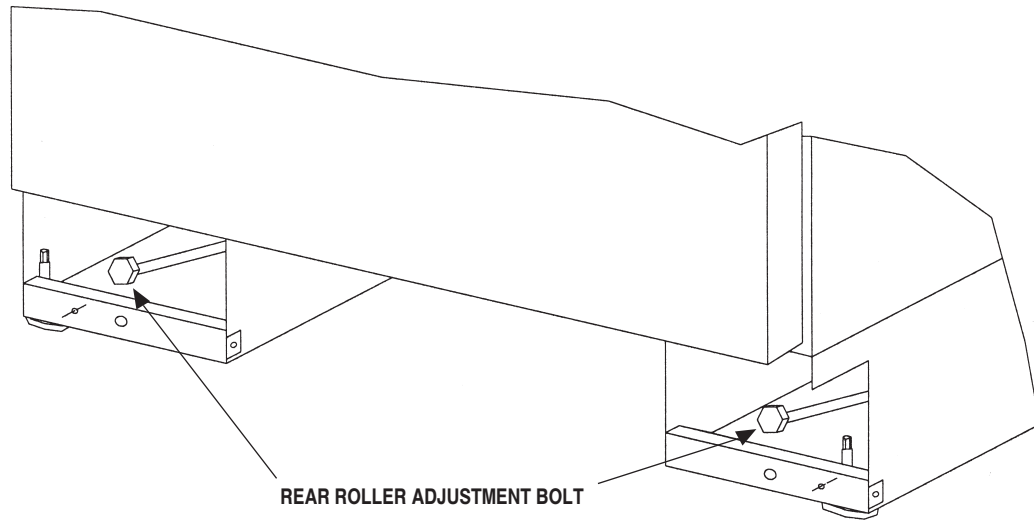


**REFRIGERATOR HEIGHT 84<sup>1</sup>/<sub>8</sub>"**

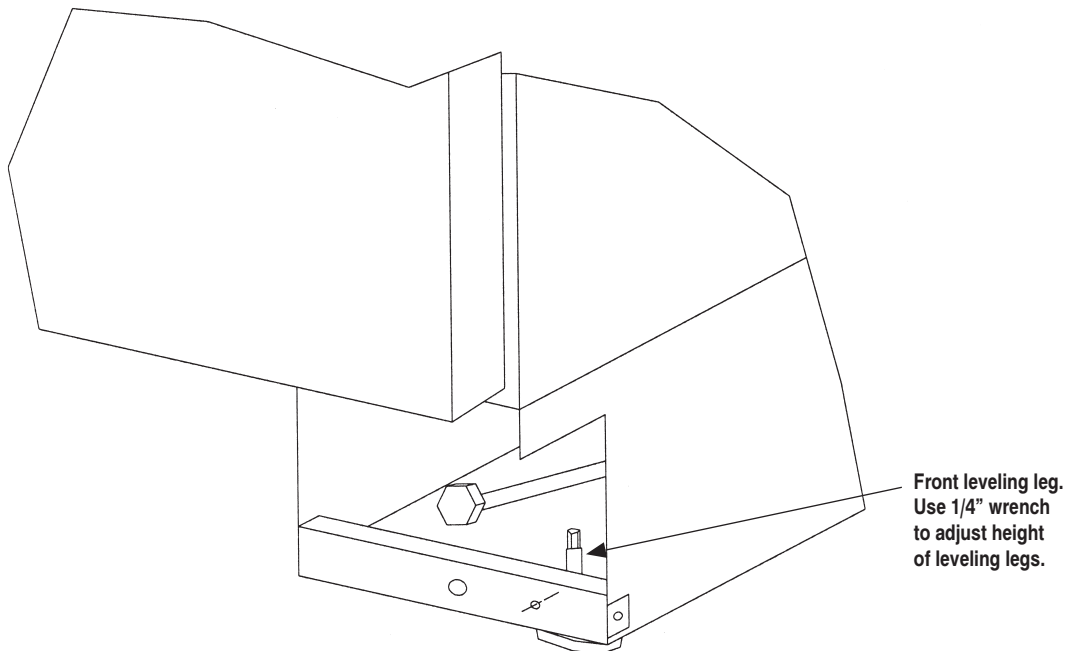
84<sup>1</sup>/<sub>8</sub>" Height leaves 4" from floor to bottom of door

**ROUGH-IN DEPTH = 24"**

# ROLLER ADJUSTMENTS



This unit is equipped with front and rear rollers. Rollers will aid during installation. Rear rollers are adjustable from the front of the unit. Total adjustment is  $+5/16$ ,  $-5/16$ . Turn adjusting bolt clockwise to raise cabinet and counter-clockwise to lower cabinet. Front leveling legs must be adjusted to the floor for leveling and to prevent the unit from rolling during use.

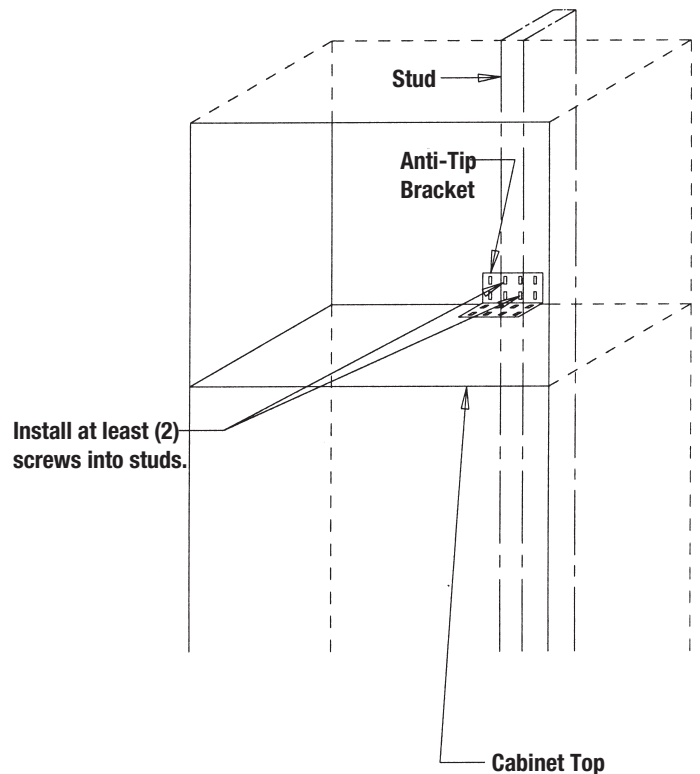




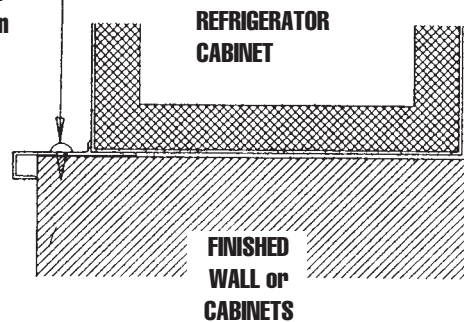
# INSTALLING THE CABINET

Before placing the cabinet in opening, the depth of the rough opening should be at least 24". If the rough opening depth is more than 24", then a piece of wood must be secured crosswise on the wall into the studs at the height of the anti-tip bracket. Slide the cabinet into position and level cabinet with adjustable rear roller and front leveling legs. Locate and mark a center stud in the back of the rough opening for the L-shaped anti-tip bracket – (the bracket should fit tight to the top of the cabinet). Install at least (2) two screws thru the bracket into the stud located in the wall behind the cabinet. The front leveling legs also prevent the unit from rolling during use. Check fit of toe kick and grill.

**IMPORTANT:** Drill and screw through the side trim into adjoining cabinets and/or walls for additional support.



**Drill 3 holes equal distance apart in vertical section of aluminum frame and install pan head screws as shown**



**DO NOT** install anti-tip bracket over the top of power module.

**NOTE:**

18" wide models cannot use anti-tip bracket. Side screws must be used for safety.

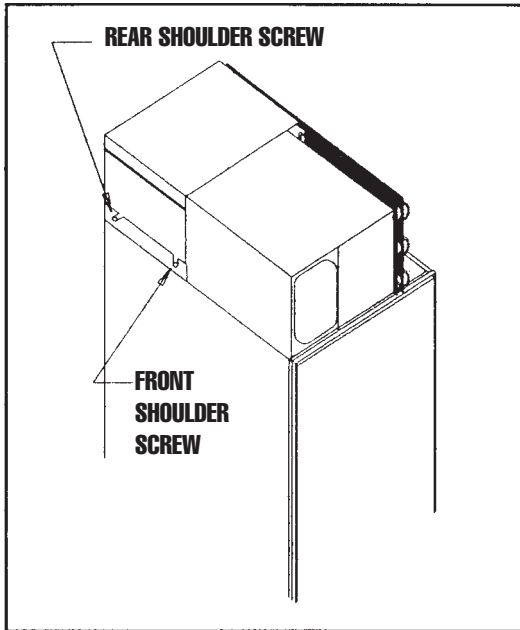
**IMPORTANT:**

Re-check Cabinet installation for:

- \* Proper space left for Grill installation.
- \* Cabinet levelness.
- \* Door opening and closing appearance.
- \* SAFETY ... To prevent unit from tipping forward:
  - > Are screws installed securely through front Trim into adjoining cabinetry and/or walls?
  - > Is Anti-tip mounting bracket secured to wall studs?

**After above checks have been made, proceed with refrigeration installation.**

# MODULE INSTALLATION



**CAUTION:**

Module **NOT** fastened to cabinet below.  
Remove before tipping or transporting.

Place module on top of cabinet with the rear shoulder screws resting on the locator brackets behind the front slots. Slide module toward rear of cabinet until the rear shoulder screws engage the slots in the rear of the brackets. Rest the front shoulder screws into the front slots of the brackets.

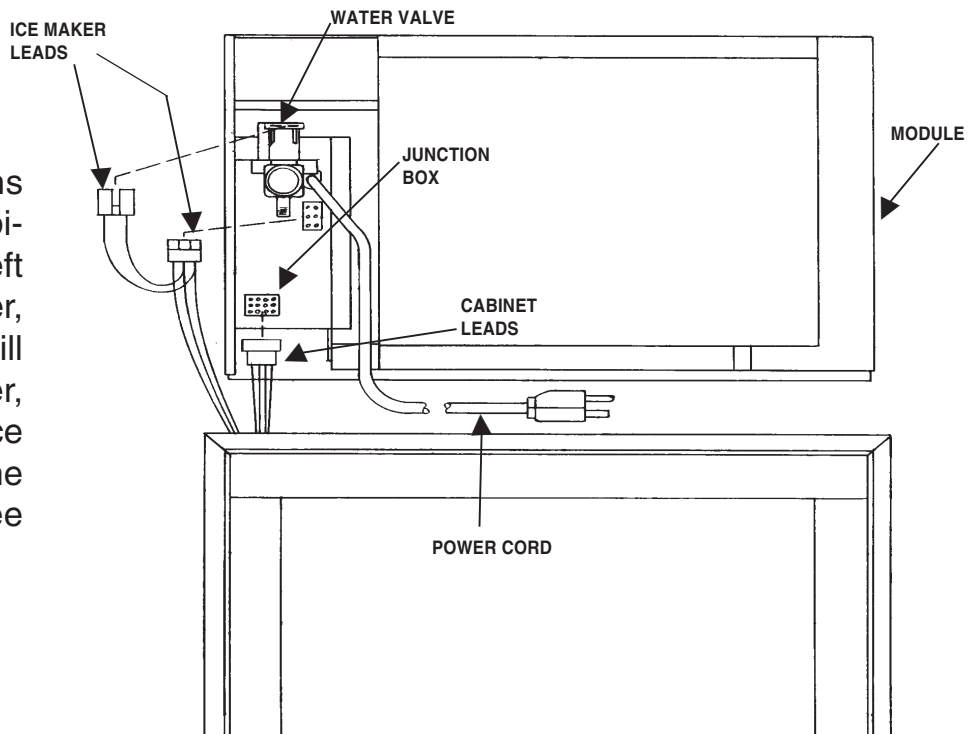
**IMPORTANT:** Check to make sure wiring and Icemaker tubing is clear and not interfering with module seal. Do **NOT** start Product during construction, as dust can block Module condenser coils. If dust accumulates on coils, vacuum immediately, using a soft brush attachment.

Do not operate the refrigerator in the presence of explosive fumes.

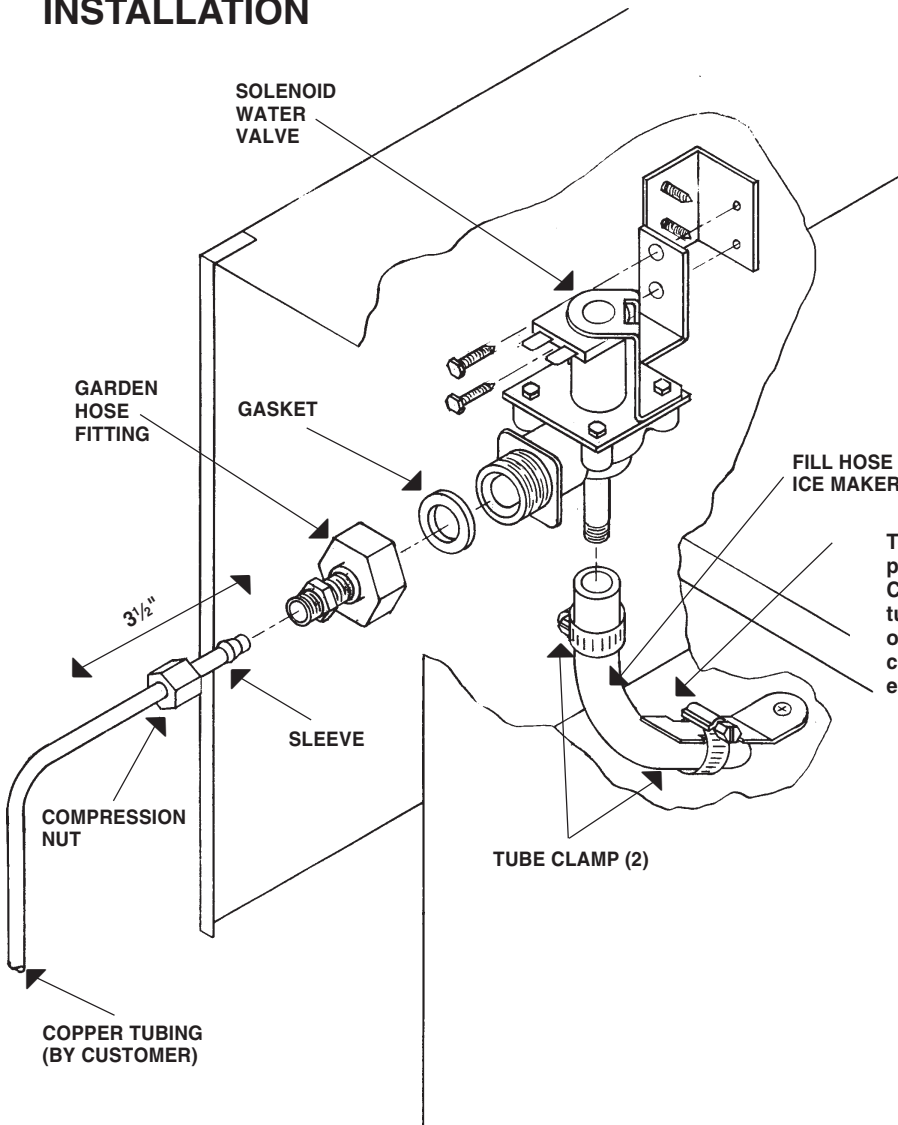
Do not install the refrigerator where the temperature will drop below 60°F (15°C) or rise above 110°F (43°C). The compressor will not be able to maintain proper temperatures.

Do not overcrowd the shelves or block cold air ducts. Do not install a shelf closer than 8" from the top in the refrigerator section. Do not allow packages to overhang sides or rear of shelves as this will block air circulation, making the refrigerator less efficient.

Make electrical connections from the top of the lower cabinet to the junction box at left side of Module. If **NO** Ice Maker, then only one cabinet line will be protruding. With Ice Maker, be sure also to plug the ice maker line into Module, and the solenoid valve as well. See Module Diagram on right.



# ICE MAKER WATER VALVE INSTALLATION



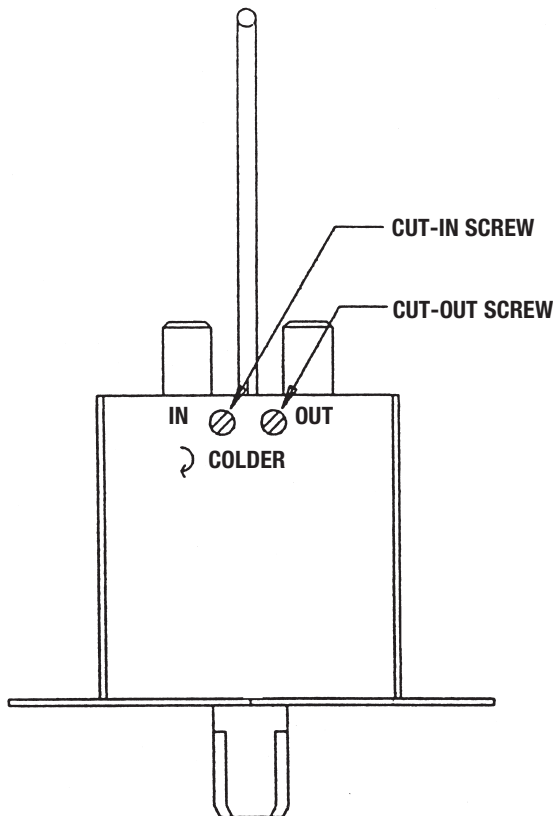
## ICE MAKER (SOLENOID) CONNECTION

Slip solenoid valve compression nut and compression sleeve on copper tubing as shown in diagram. Tighten nut onto water valve with adjustable wrench. Turn on water supply valve. Check fittings for leaks. Clamp Ice maker line from cabinet onto solenoid valve as shown. Tighten clamp securely.

This Clamp for tube positioning only. Check to make sure tube is not collapsed or restricted after connecting opposite end to valve.

# ALTITUDE ADJUSTMENT FOR TEMPERATURE CONTROL

**NOTE:** This adjustment should only be done by a qualified service person

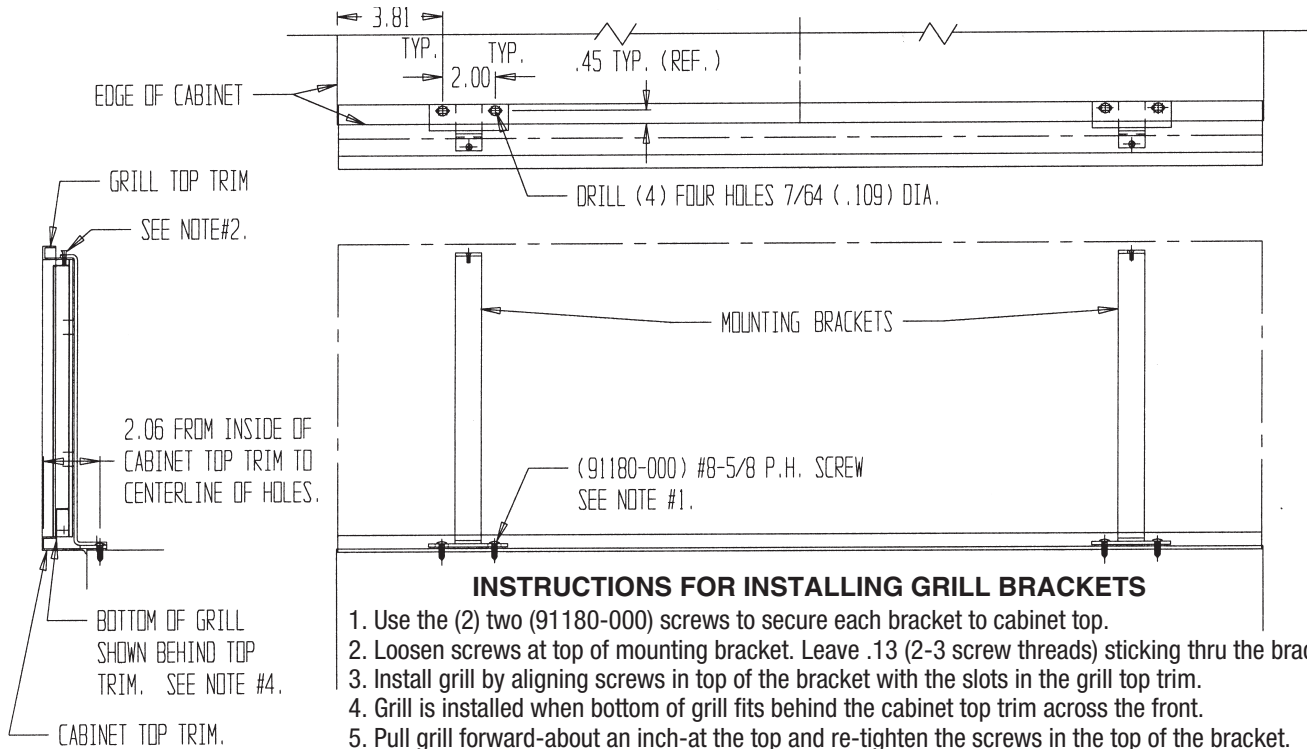


**ALTITUDE CORRECTION  
BOTH CUT-IN & CUT-OUT  
SCREWS MUST BE ADJUSTED.**

ALTITUDE IN FEET	COUNTER CLOCKWISE TURNS
2,000	$7/60 = .12$
3,000	$13/60 = .22$
4,000	$19/60 = .32$
5,000	$25/60 = .42$
6,000	$31/60 = .52$
7,000	$37/60 = .62$
8,000	$43/60 = .72$
9,000	$49/60 = .82$
10,000	$55/60 = .92$

1. Turn off power to refrigerator before servicing.
2. Remove screws holding freezer air return and drop air return grill to expose control assembly.
3. Locate cut-in and cut-out adjustment screws.
4. Determine the altitude of your location and refer to the chart above for the number of counter clockwise turns to adjust control for proper calibration.  
**NOTE:** Both cut-in and cut-out screws must be adjusted the same number of turns.
5. Re-assemble the return air grill and plug in the refrigerator.

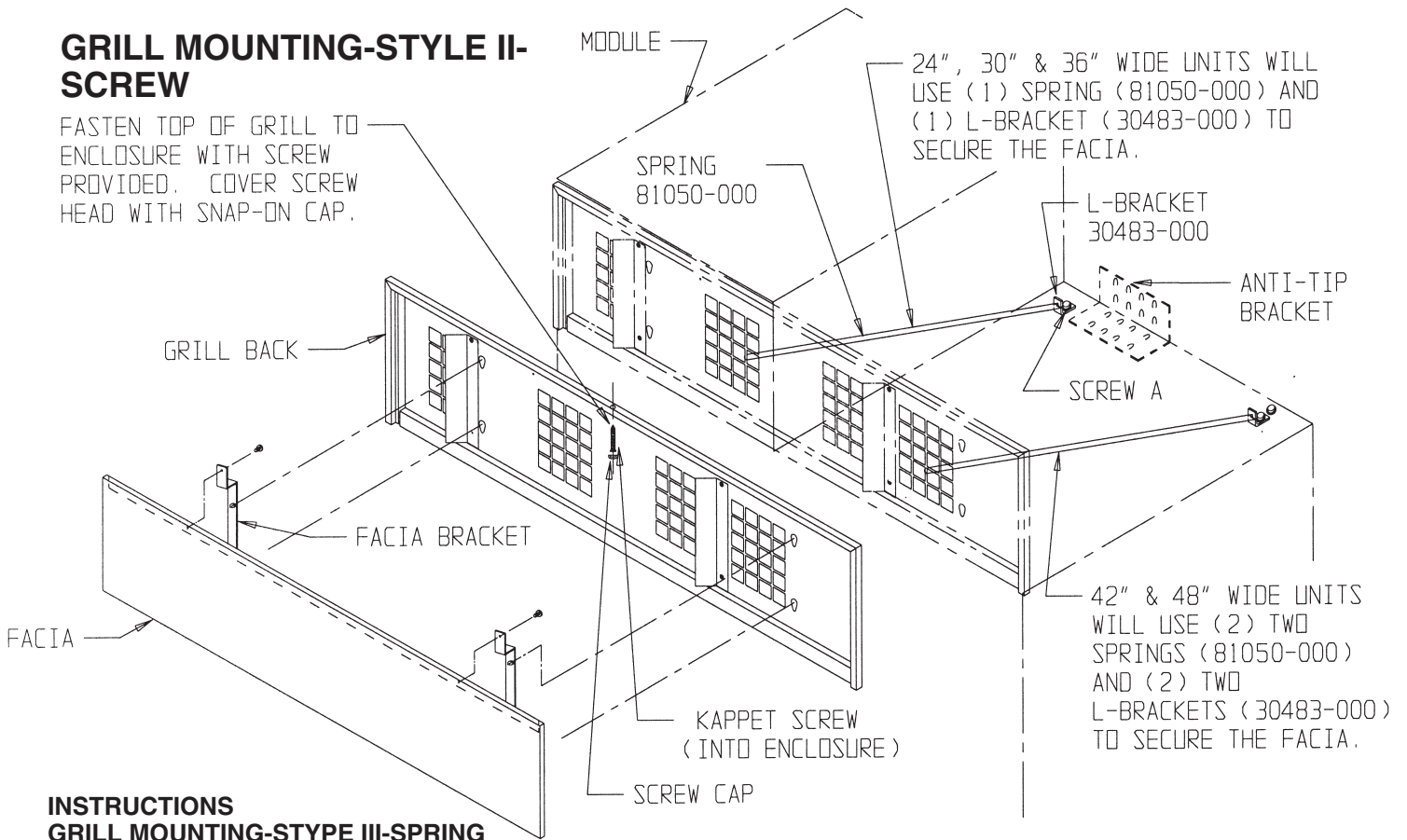
## GRILL MOUNTING-STYLE I-BRACKET



## GRILL MOUNTING-STYLE III-SPRING

### GRILL MOUNTING-STYLE II-SCREW

FASTEN TOP OF GRILL TO ENCLOSURE WITH SCREW PROVIDED. COVER SCREW HEAD WITH SNAP-ON CAP.



### INSTRUCTIONS GRILL MOUNTING-STYLE III-SPRING

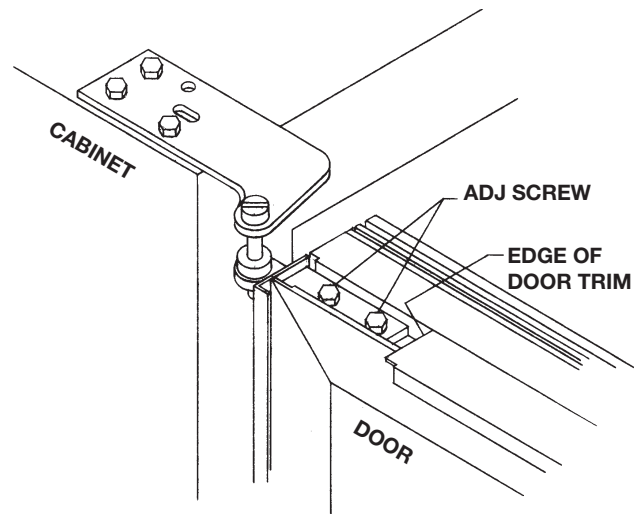
1. Remove screw (A) in mounting bracket. Mount L-Bracket with screw A.
2. Hook one end of spring (81050-000) through hole in L-Bracket. Holding the facia in position-stretch the spring and secure the hook end to the facia through a square top hole in the facia.

## HINGE AND GASKET ADJUSTMENT

It is possible that doors may become out of adjustment in shipment. See diagram on right.

If product is installed slightly “out of level”, doors may not line up properly. Check this BEFORE adjusting hinges.

**NOTE:** Door gaskets occasionally compress in shipment. If gasket does not seal all around, warm slightly with a hair dryer and pull outward softly until magnet in gasket seals against cabinet.



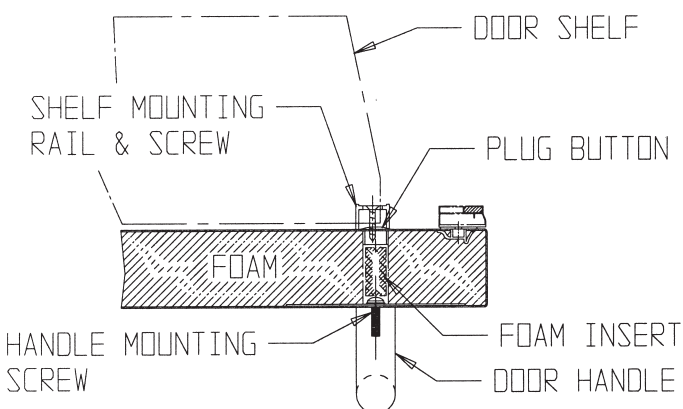
## PANEL READY DOORS

To expose concealed door hinge screws, first remove handle trim. Then slide trim over hinge toward handle side. If your unit requires Door Panels, see "CUSTOM DOOR PANEL", section on page 16.

All hinge sections attached to DOORS, adjust left or right. Top and Bottom Cabinet Hinges are also adjustable in and out.

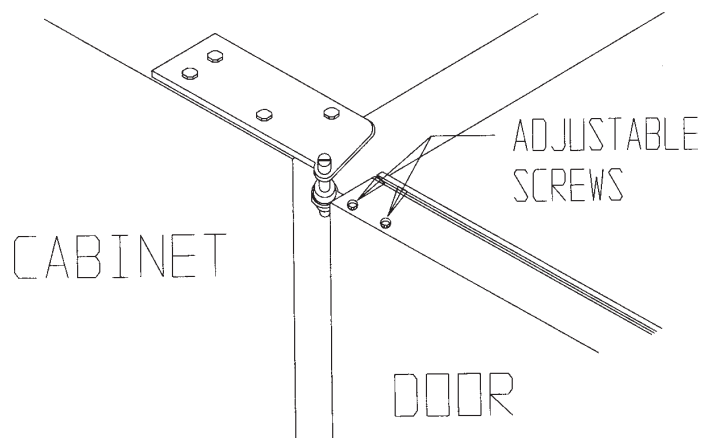
## CHANGE OR TIGHTEN FACE MOUNTED DOOR HANDLES.

1. Open the door-remove the interior door shelves.
2. Remove the screws that secure the shelf mounting rail & the rail.
3. Remove the plug buttons-(Exposing handle screws) make sure not to scratch the inner liner.
4. Remove the foam insert to expose the door handle mounting screw.
5. Change handle/tighten screw and replace foam insert, plug button, shelf rail and door shelf.



## STAINLESS STEEL WRAP DOOR UNITS

To expose concealed door hinge screws, remove plug buttons if present. All hinge sections attached to Doors adjust left or right. Top and Bottom Cabinet Hinges are also adjustable in and out. See diagram (shown without cabinet trim).



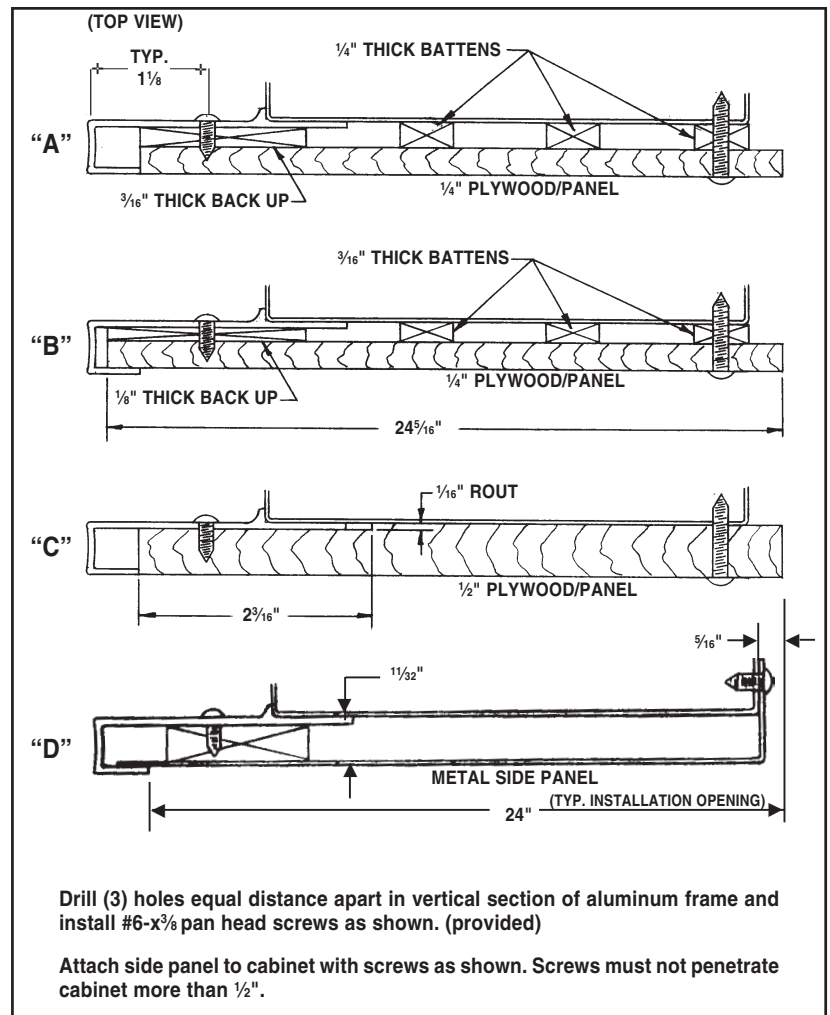
## IF FASTENING SIDE PANELS TO REFRIGERATOR:

- A. Side panels should be 24"D (or 24<sup>5</sup>/<sub>16</sub>"D when tucked into front trim).
- B. Panel height to match installation height.
- C. Install side panels per drawings on right.

**NOTE:** To avoid damage to panels or flooring, raise panels slightly, to clear floor when installing.

Drill three (3) holes equal distance apart in vertical section of aluminum frame and install pan head screws as shown.

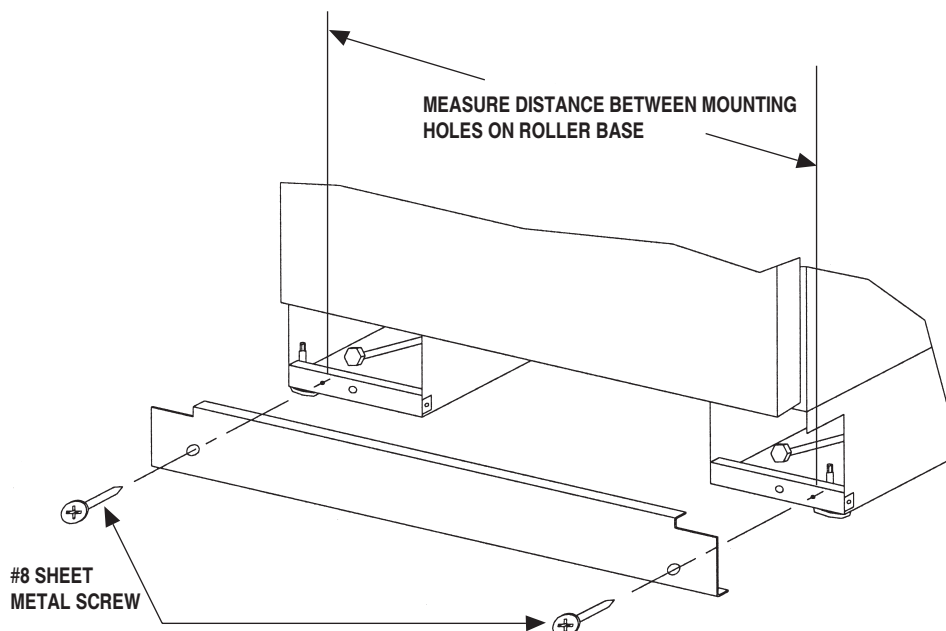
Anchor side panel with screw as shown. Be sure screw used goes no more than 1/2" deep into Product. Do NOT overtighten.



## TYPICAL SIDE PANEL INSTALLATIONS

## KICKPLATE INSTALLATION

Use (2) #8 sheet metal screws to facilitate holding your kick plate in place. Mount screws in holes in roller base. (Notching of upper corners may be required to clear hinges).



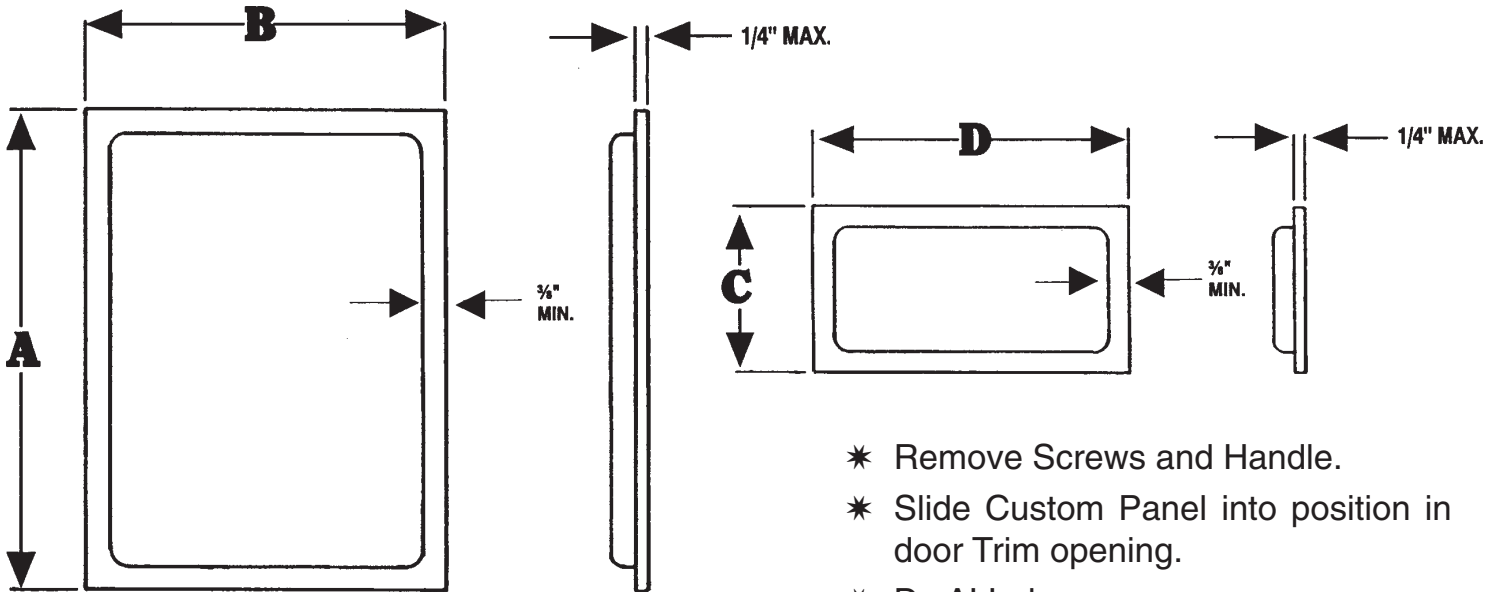


## CUSTOM DOOR PANELS

Northland Panel Ready Built-In design allows you to insert decorative material on the doors of your refrigerator/freezer. If a panel thinner than 1/4" is being used, we recommend a filler be inserted behind it for a proper fit, as frames are designed to accept up to 1/4" material. If a raised panel is used, route edges to fit the frame.

**CAUTION:** Door Panels **must not** exceed 50 lbs. Panels weighing more than 50 lbs. may cause product damage. We recommend that the door load (panel and food) not exceed 90 lbs.

**NOTE:** Do not use glass, mirrors, granite, thick wood or similar heavy materials for panels.

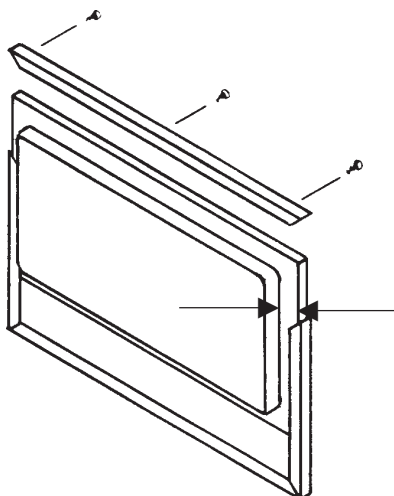


- \* Remove Screws and Handle.
- \* Slide Custom Panel into position in door Trim opening.
- \* Do ALL doors.
- \* Do not replace Handle until Hinge and Gasket adjustments have been made if necessary. (See page 14.)
- \* Replace Handle and Screws and install Plastic Screw Caps provided.

## CUSTOM GRILL PANELS

**CAUTION:** Grill Panels **must not** exceed 20 lbs. Panels weighing more than 20 lbs. may cause product damage.

\* For Grill Installation, see separate Instruction Sheets, No. 31395-000, and No. 34072-000 packed in Grill package.



**Note:**

All center hinged doors, cannot exceed 1/2" in panel thickness from the door trim face.

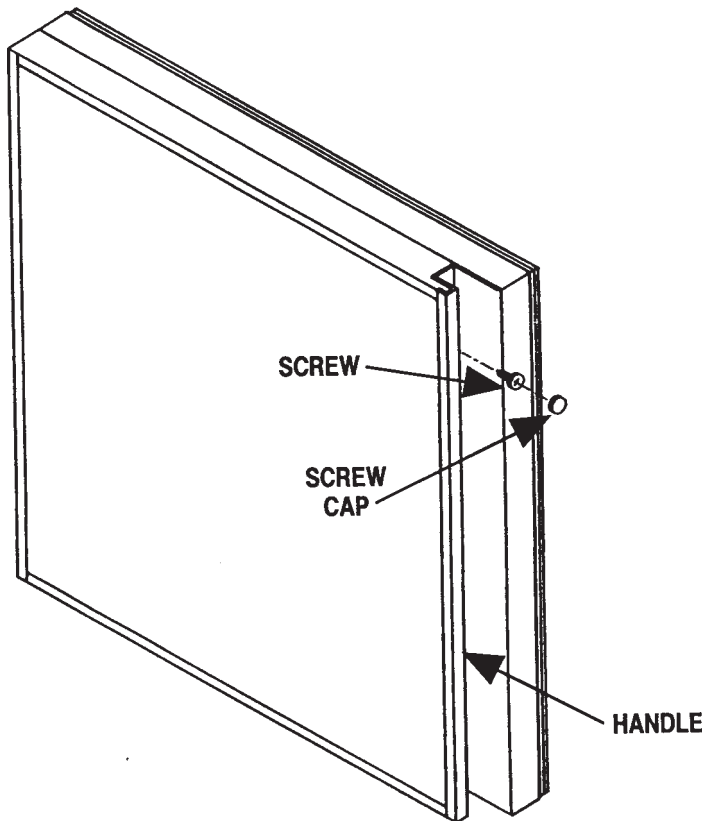
**Note:**

1/2" MIN. (RELIEF)



MODEL NUMBER	CUSTOM DOOR PANEL SIZES					
	Refrigerator door		Freezer door		Second freezer door	
	A Height	B Width	C Height	D Width	C Height	D Width
18AR	68	15½				
18AF			68	15½		
18TF	45⅞	15½	22¼	15½		
18MT	55½	15½	11⅞	15½		
24AR	68	21½				
24AF			68	21½		
24TF	45⅞	21½	22¼	21½		
24MT	55½	21½	11⅞	21½		
30AR	68	27½				
30AF			68	27½		
30TF	45⅞	27½	22¼	27½		
30MT	55½	27½	11⅞	27½		
36AR	68	33½				
36AF			68	33½		
36TF	45⅞	33½	22¼	33½		
36MT	55½	33½	11⅞	33½		
36SS	68	17	68	15½		
363D	68	17	22¼	15½	45⅞	15½
42SS	68	21½	68	17		
48SS	68	27½	68	17		

Grill Panel Model Number	
	Grille panel width (height - 8⅞)
18AR	14 <sup>13</sup> / <sub>16</sub>
18AF	14 <sup>13</sup> / <sub>16</sub>
18TF	14 <sup>13</sup> / <sub>16</sub>
18MT	14 <sup>13</sup> / <sub>16</sub>
24AR	20 <sup>13</sup> / <sub>16</sub>
24AF	20 <sup>13</sup> / <sub>16</sub>
24TF	20 <sup>13</sup> / <sub>16</sub>
24MT	20 <sup>13</sup> / <sub>16</sub>
30AR	26 <sup>13</sup> / <sub>16</sub>
30AF	26 <sup>13</sup> / <sub>16</sub>
30TF	26 <sup>13</sup> / <sub>16</sub>
30MT	26 <sup>13</sup> / <sub>16</sub>
36AR	32 <sup>13</sup> / <sub>16</sub>
36AF	32 <sup>13</sup> / <sub>16</sub>
36TF	32 <sup>13</sup> / <sub>16</sub>
36MT	32 <sup>13</sup> / <sub>16</sub>
36SS	32 <sup>13</sup> / <sub>16</sub>
363D	32 <sup>13</sup> / <sub>16</sub>
42SS	38 <sup>13</sup> / <sub>16</sub>
48SS	44 <sup>13</sup> / <sub>16</sub>



## REMOVING PROTECTIVE FILM FROM FACTORY INSTALLED DECORATIVE PANELS:

- \* Cabinets are shipped with protective film over the exterior surface of decorative panels. (optional)
- \* Do not remove protective film until the cabinet has been completely installed to prevent scratching or marring the decorative panels.
- \* To remove the protective film, firmly grasp the loose edge of the film and slowly pull the film downward off the decorative panels.
- \* Decorative panels may be removed if necessary by removing the handle screws and handle and then sliding the decorative panel out of the door frame.
- \* Please refer to the Use and Care Guide for cleaning.

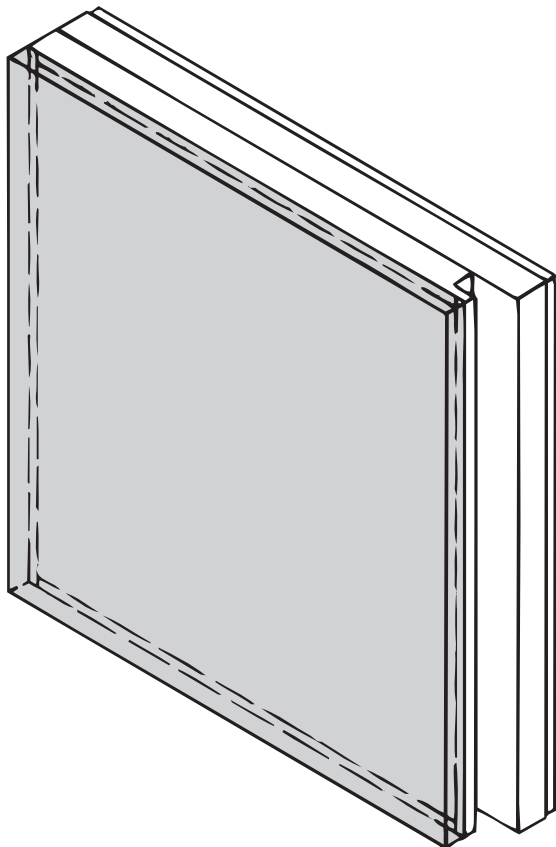
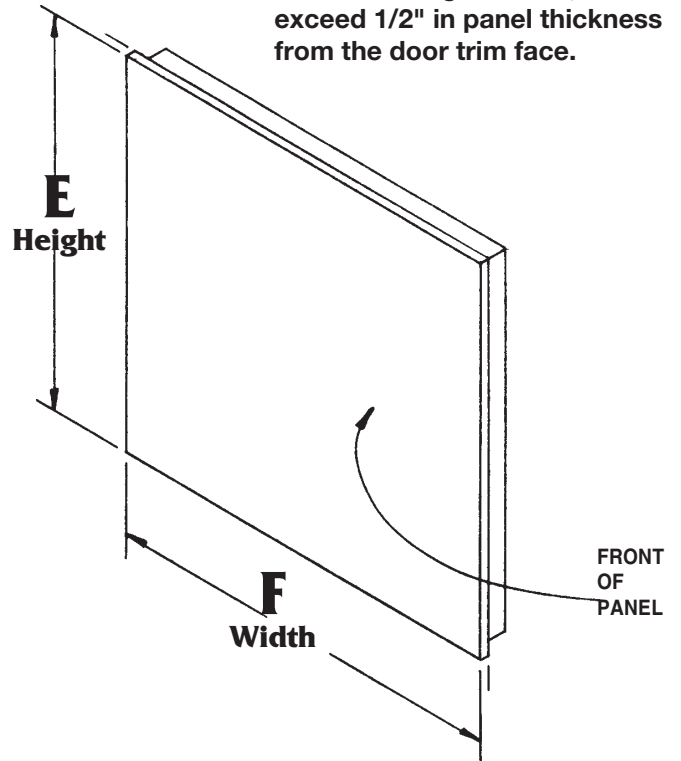
## “TRIMLESS” DOOR/GRILL PANELS

Follow the same instructions for installing Custom Door Panels described on the previous page, except prepare the Door Panels as shown to give your unit a “Trimless” appearance.

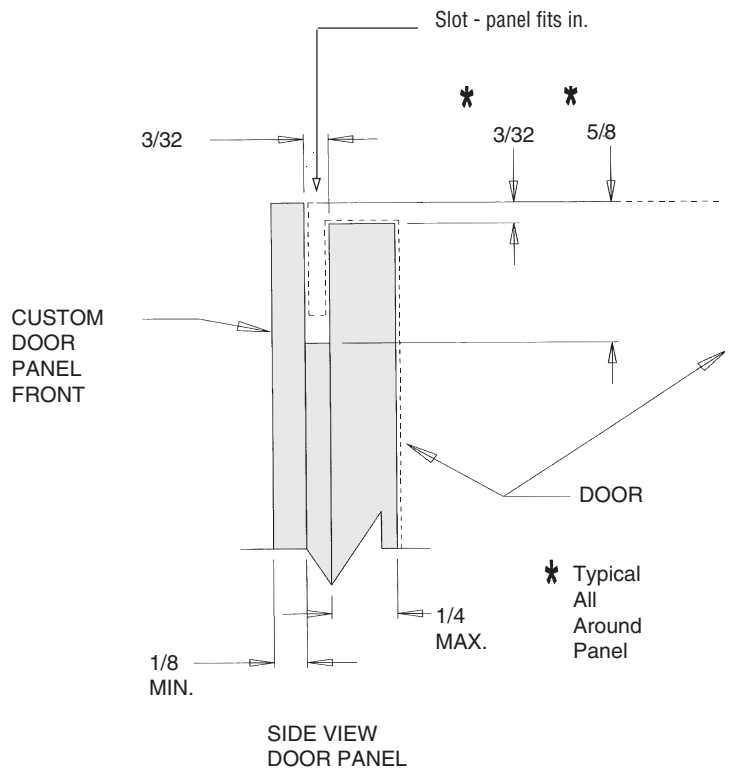
MODEL NUMBER	DOOR PANEL SIZES						GRILL PANEL	
	Refrigerator door		Freezer door		2nd freezer door		E Height	F Width
	E Height	F Width	E Height	F Width	E Height	F Width		
18AR	68 <sup>7</sup> / <sub>8</sub>	15 <sup>5</sup> / <sub>8</sub>					8 <sup>3</sup> / <sub>4</sub> (All Models)	15
18AF			68 <sup>7</sup> / <sub>8</sub>	15 <sup>5</sup> / <sub>8</sub>				
18TF	45 <sup>1</sup> / <sub>4</sub>	15 <sup>5</sup> / <sub>8</sub>	22 <sup>3</sup> / <sub>8</sub>	15 <sup>5</sup> / <sub>8</sub>				
18MT	55 <sup>5</sup> / <sub>8</sub>	15 <sup>5</sup> / <sub>8</sub>	12	15 <sup>5</sup> / <sub>8</sub>				
24AR	68 <sup>7</sup> / <sub>8</sub>	21 <sup>5</sup> / <sub>8</sub>						21
24AF			68 <sup>7</sup> / <sub>8</sub>	21 <sup>5</sup> / <sub>8</sub>				
24TF	45 <sup>1</sup> / <sub>4</sub>	21 <sup>5</sup> / <sub>8</sub>	22 <sup>3</sup> / <sub>8</sub>	21 <sup>5</sup> / <sub>8</sub>				
24MT	55 <sup>5</sup> / <sub>8</sub>	21 <sup>5</sup> / <sub>8</sub>	12	21 <sup>5</sup> / <sub>8</sub>				27
30AR	68 <sup>7</sup> / <sub>8</sub>	27 <sup>5</sup> / <sub>8</sub>						
30AF			68 <sup>7</sup> / <sub>8</sub>	27 <sup>5</sup> / <sub>8</sub>				
30TF	45 <sup>1</sup> / <sub>4</sub>	27 <sup>5</sup> / <sub>8</sub>	22 <sup>3</sup> / <sub>8</sub>	27 <sup>5</sup> / <sub>8</sub>				33
30MT	55 <sup>5</sup> / <sub>8</sub>	27 <sup>5</sup> / <sub>8</sub>	12	27 <sup>5</sup> / <sub>8</sub>				
36AR	68 <sup>7</sup> / <sub>8</sub>	33 <sup>5</sup> / <sub>8</sub>						
36AF			68 <sup>7</sup> / <sub>8</sub>	33 <sup>5</sup> / <sub>8</sub>				39
36TF	45 <sup>1</sup> / <sub>4</sub>	33 <sup>5</sup> / <sub>8</sub>	22 <sup>3</sup> / <sub>8</sub>	33 <sup>5</sup> / <sub>8</sub>				
36MT	55 <sup>5</sup> / <sub>8</sub>	33 <sup>5</sup> / <sub>8</sub>	12	33 <sup>5</sup> / <sub>8</sub>				
36SS	68 <sup>7</sup> / <sub>8</sub>	17 <sup>1</sup> / <sub>8</sub>	68 <sup>7</sup> / <sub>8</sub>	15 <sup>5</sup> / <sub>8</sub>			45	
363D	68 <sup>7</sup> / <sub>8</sub>	17 <sup>1</sup> / <sub>8</sub>	22 <sup>3</sup> / <sub>8</sub>	15 <sup>5</sup> / <sub>8</sub>	45 <sup>1</sup> / <sub>4</sub>	15 <sup>5</sup> / <sub>8</sub>		
42SS	68 <sup>7</sup> / <sub>8</sub>	21 <sup>5</sup> / <sub>8</sub>	68 <sup>7</sup> / <sub>8</sub>	17 <sup>1</sup> / <sub>8</sub>				
48SS	68 <sup>7</sup> / <sub>8</sub>	27 <sup>5</sup> / <sub>8</sub>	68 <sup>7</sup> / <sub>8</sub>	17 <sup>1</sup> / <sub>8</sub>				

**Note:**

All center hinged doors, cannot exceed 1/2" in panel thickness from the door trim face.



**TYPICAL DOOR ASSEMBLY WITH “TRIMLESS” PANEL**



## Installation Checks

- Anti-Tip Mounting Bracket must be installed correctly and anchored to prevent cabinet from tipping forward.
- Rear of Module should be flush with the rear of the cabinet. Module should not extend beyond the rear wall of the cabinet.
- Module should be engaged in the slots on the Module positioning brackets and seated on the foam seal without air gaps. Module positioning brackets should not be removed.
- All wires from the lower cabinet to Module must be securely connected. If a problem is suspected, inspect both male and female plugs and insure that terminals in the plug are sufficiently forward to engage.
- Cabinet must be level both side to side and front to back. Front leveling legs should rest firmly on the floor. Cabinetry on both sides of the cabinet must be secure and level to prevent the cabinet from shifting when the doors are opened.
- Doors must not hit adjacent walls or counter tops.
- Gaskets must seal completely. If gaskets seal well, no further adjustments need to be made.
- On models with ice makers, check water connections for leaks. If water is not yet connected, the plastic water fill tube to the freezer compartment must either be attached to the solenoid or sealed to prevent air leaking into the cabinet.
- Brown and white wires should be connected to the solenoid. The remaining Molex connector plugs into the Power Module.

## Common Installation Errors

- Any air leaks between the module and the cabinet will keep the cabinet from operating efficiently.
- The water supply line and electric outlet must be located in a manner that will not interfere with Module to cabinet alignment when the unit is pushed into place.
- Power cord to outlet sitting under the Power Module will create an air leak.
- Ice maker fill tube (plastic) not connected or loose creating a water and/or air leak.
- Plugs from cabinet not connected to ice maker and/or Power Module.
- Floor under products lower than finished floor making the unit inaccessible for service. Floor under product must be strong enough to support weight of fully loaded refrigerator.
- No 3" removable filler panel above grill making the Power Module difficult for service.
- Product not anchored properly (to prevent tipping). Bracket not secured to rear wall studs or screws through product side trim into adjoining cabinets or walls.

## **TROUBLE SHOOTING**

---

---

### **IF PRODUCT DOES NOT START WHEN PLUGGED IN, CHECK THE FOLLOWING:**

1. Does light bulb go on when refrigerator door is opened? If NOT, check bulb, then ...
  - a. Is cord from lower cabinet plugged into module?
  - b. Is power cord plugged in at receptacle?
  - c. Is circuit breaker or fuse “on”? Check by plugging another electric device into outlet.
  
2. If light bulb DID go on when door is opened ...
  - a. Turn Defrost timer clockwise (might be in “Defrost”) until compressor starts.
  
3. If motor “hums”, but doesn’t start ...
  - a. Check for adequate line voltage at outlet.
  - b. Module may have been transported or stored on side or upside down, causing temporary displacement of motor oil. Let rest 24 hours, then plug in again.

### **NORTHLAND**

Northland Corporation  
P.O. Box 400  
Greenville, Michigan 48838-0400  
*Part of the AGA Foodservice Group*