

---

# BERTAZZONI PROFESSIONAL SERIES RANGETOPS



Available in 48 and 36 inches sizes, Bertazzoni Pro rangetops have the same one-piece, seamless, high-efficiency worktop design that has become the signature of Bertazzoni freestanding ranges. All burners are in cast brass for enhanced performance, with the dual control brass power burner delivering best-in-class heat-up times and maximum flexibility thanks to its extremely wide BTU range.

## 6 BURNERS



With the power burner on the front left quadrant, you can cook in a large wok and several other pans at the same time.

## BRASS POWER BURNER



Bertazzoni's exclusive dual power burner in cast brass delivers high-efficiency performance from delicately low simmer to full power (750 – 18,000 BTUs) with best-in-class heat-up time.

## 5 BURNERS



The 5 burners configuration, with the power burner in the center, offers exceptional performance and ideal spacing for a large pasta or stock pot.



THE INTEGRATED KITCHEN

## BERTAZZONI PROFESSIONAL SERIES

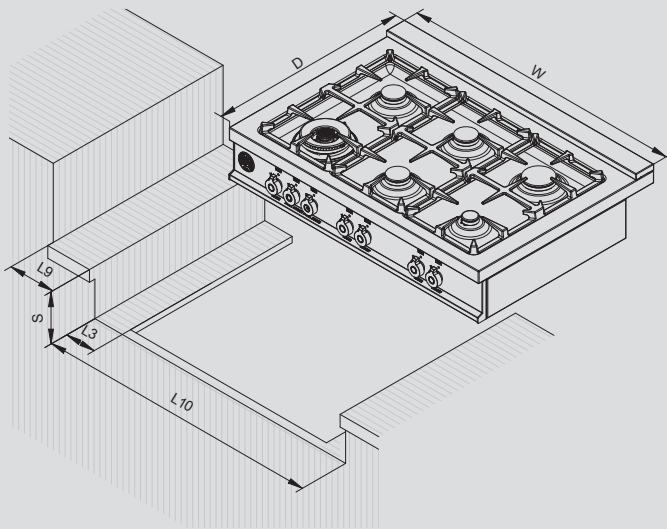
### 36" RANGETOP 6 GAS BURNERS

**Rangetop 36"**  
CB36 6 00 X

#### Cooking Zones

Brass Burners	6
Dual	750-18000 Btu/h
Rapid	11000 Btu/h
Semi-rapid	6200 Btu/h
Auxiliary	750-3400 Btu/h
Electrical Requirements	120V 60Hz
Max. Amp Usage	1 Amp
Certification	CSA
Warranty	2 years parts and labor

Comes with flat island trim height  $1\frac{3}{16}$ " (IT36X), simmer plate (408077), wok ring (408084)  
Optional: stainless steel griddle (SG36X)



Rif.	Dim.	
	Inches	mm
D	25 $\frac{3}{16}$	640
L3 (min)	1	25
L9 (max)	6	152
L10	36	915
S	6 $\frac{1}{2}$	165
W	35 $\frac{13}{16}$	910

Same cut out dimensions must be considered valid for CB 36 5 00 X.

## BERTAZZONI PROFESSIONAL SERIES

### 36" RANGETOP 5 GAS BURNERS

**Rangetop 36"**  
CB36 5 00 X

#### Cooking Zones

Brass Burners	5
Dual power burner	750-18000 Btu/h
Rapid	11000 Btu/h
Semi-rapid	6200 Btu/h
Auxiliary	750-3400 Btu/h
Electrical Requirements	120V 60Hz
Total AMP max	1 Amp
Certification	CSA
Warranty	2 years parts and labor

Comes with flat island trim height  $1\frac{3}{16}$ " (IT36X), simmer plate (408077), wok ring (408084)

## BERTAZZONI PROFESSIONAL SERIES

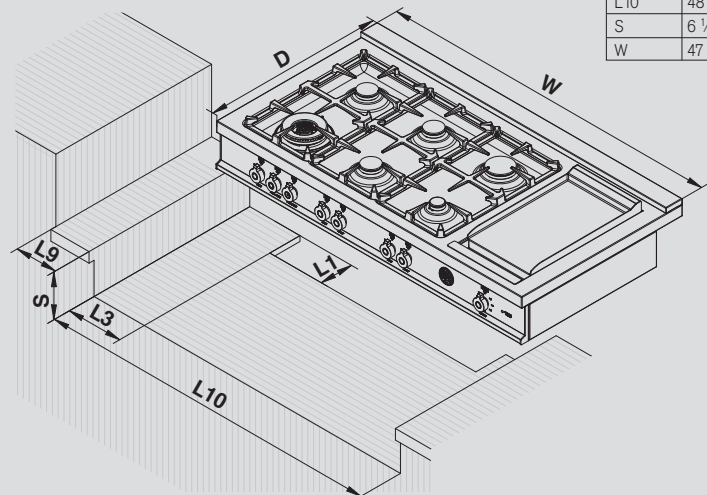
### 48" RANGETOP 6 GAS BURNERS, ELECTRIC GRIDDLE

**Rangetop 48"**  
CB48 6G PRO X

#### Cooking Zones

Brass Burners	6
Dual	750-18000 Btu/h
Rapid	11000 Btu/h
Semi-rapid	6200 Btu/h
Auxiliary	750-3400 Btu/h
Griddle	1100W
Electrical Requirements	120V 60Hz
Max. Amp Usage	9 Amp
Certification	CSA
Warranty	2 years parts and labor

Comes with flat island trim height  $1\frac{3}{16}$ " (IT48X), simmer plate (408077), wok ring (408084)  
Optional: stainless steel griddle (SG36X), stainless steel griddle cover (901183)



Rif.	Dim.	
	Inches	mm
D	25 $\frac{3}{16}$	640
L1	4	102
L3	1	25
L9	6	152
L10	48	1220
S	6 $\frac{1}{2}$	165
W	47 $\frac{13}{16}$	1215