

---

# BERTAZZONI MODULAR SERIES

## 24" CONVECTION OVEN F6 M9P X



The Bertazzoni 24" electric built-in convection oven is the ideal solution for preparing delicious family meals as well as entertaining guests in smaller kitchens. Featuring a stainless front and 5 functions, this compact solution delivers elegant Italian design and cooking performance. The oven can be installed in an under counter as well as eye level application and in combination with the Bertazzoni 24" cooktop, it offers a space conscious yet versatile setup for roasting, baking and broiling your favorite recipes.

### HANDLE SOLUTION



The solid stainless steel handle assembly completes the elegantly balanced flush oven front.

### BERTAZZONI VALUE



The metal stamped Bertazzoni logo stands for a commitment to performance and pride of craftsmanship.



TO COOK BEAUTIFULLY

# BERTAZZONI MODULAR SERIES

## 24" CONVECTION OVEN F6 M9P X

### FUNCTIONS



TRADITIONAL  
CONVECTION  
COOKING



DEFROSTING  
FROZEN FOOD



CONVECTION  
COOKING WITH  
VENTILATION



VENTILATED  
BROILING



BROILING

### FEATURES

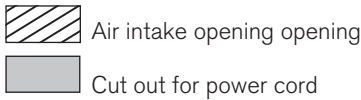
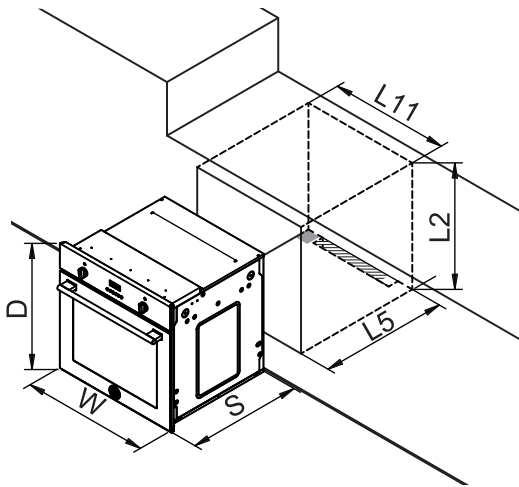
<b>Door</b>	Mirror finish on glass
<b>Handle</b>	professional handle design
<b>Oven Door</b>	quadruple glass
<b>Electric timer</b>	yes
<b>Electronic timer</b>	yes
<b>Convection roast</b>	yes
<b>Roasting and baking</b>	yes
<b>Convection broil</b>	yes
<b>Infrared electric broiler</b>	yes

### TECHNICAL SPECIFICATIONS

<b>Power</b>	230V/60hz @2.4KW & 208V/60hz@2.0 KW
<b>Functions</b>	5
<b>Overall</b>	4.1ft <sup>3</sup>
<b>Bake element</b>	1300W
<b>Broil element</b>	2400W
<b>Convection element</b>	2000W
<b>Max Amp Usage</b>	10 A
<b>Oven cavity HxWxD</b>	13 <sup>37</sup> / <sub>64</sub> x 18 <sup>7</sup> / <sub>64</sub> x 15 <sup>15</sup> / <sub>16</sub>
<b>Power rating</b>	2400W
<b>Product weight</b>	160 lbs
<b>Box weight</b>	190 lbs
<b>Certification</b>	CSA, UL
<b>Warranty</b>	2 years parts and labor

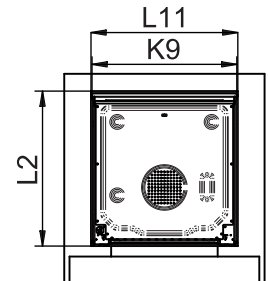
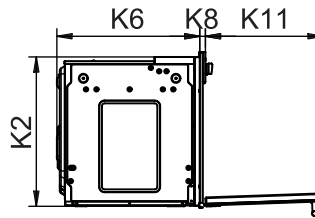
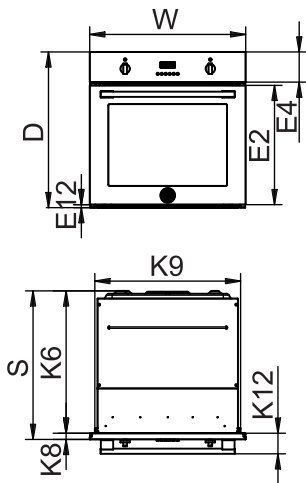
# BERTAZZONI MODULAR SERIES

## 24" CONVECTION OVEN F6 M9P X



### DIMENSIONS

Ref.	Description	Dimensions	
		Inches	mm
D	Oven height	23 <sup>7</sup> / <sub>16</sub>	595
E2	Door height	17 <sup>15</sup> / <sub>16</sub>	455
E4	Control panel height	4 <sup>1</sup> / <sub>2</sub>	115
E12	Clearance gap for door opening	<sup>10</sup> / <sub>16</sub>	12
K2	Chassis height	22 <sup>7</sup> / <sub>16</sub>	570
K6	Chassis depth	22 <sup>1</sup> / <sub>16</sub>	560
K8	Control panel depth	<sup>13</sup> / <sub>16</sub>	20
K9	Chassis width	21 <sup>7</sup> / <sub>8</sub>	556
K11	Open door dimension	17 <sup>11</sup> / <sub>16</sub>	450
K12	Frontal panel + handle dimension	2 <sup>15</sup> / <sub>16</sub>	75
L2	Cabinet cut out height	23 <sup>1</sup> / <sub>4</sub>	591
L5 <sub>min</sub>	Cabinet depth	22 <sup>7</sup> / <sub>16</sub>	570
L11	Cabinet cut out width	22 <sup>1</sup> / <sub>16</sub>	560
S	Oven depth	22 <sup>13</sup> / <sub>16</sub>	580
W	Oven width	23 <sup>7</sup> / <sub>16</sub>	595



### INSTALLATION INSTRUCTIONS

Bertazzoni recommends to operate the appliance after it has been installed in a cabinet. The kitchen cabinets shall be made of materials capable of withstanding temperatures at least 117°F (65°C) above room temperature in order to avoid possible damage to the cabinets during oven usage. The appliance must be installed into cabinetry and be supported from underneath. The air intake opening at the bottom of the door must be left unobstructed.



TO COOK BEAUTIFULLY