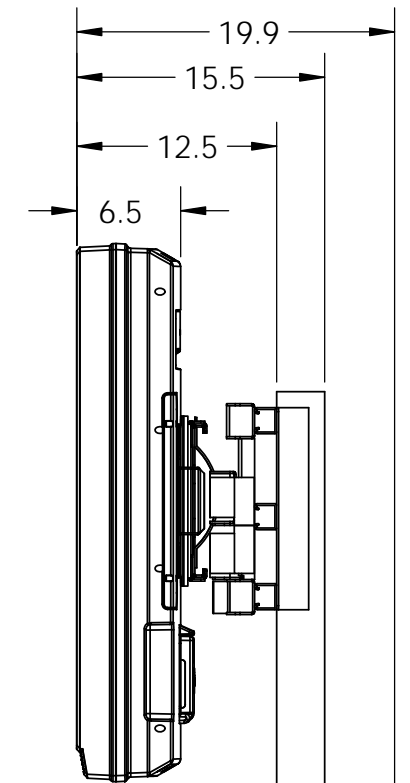
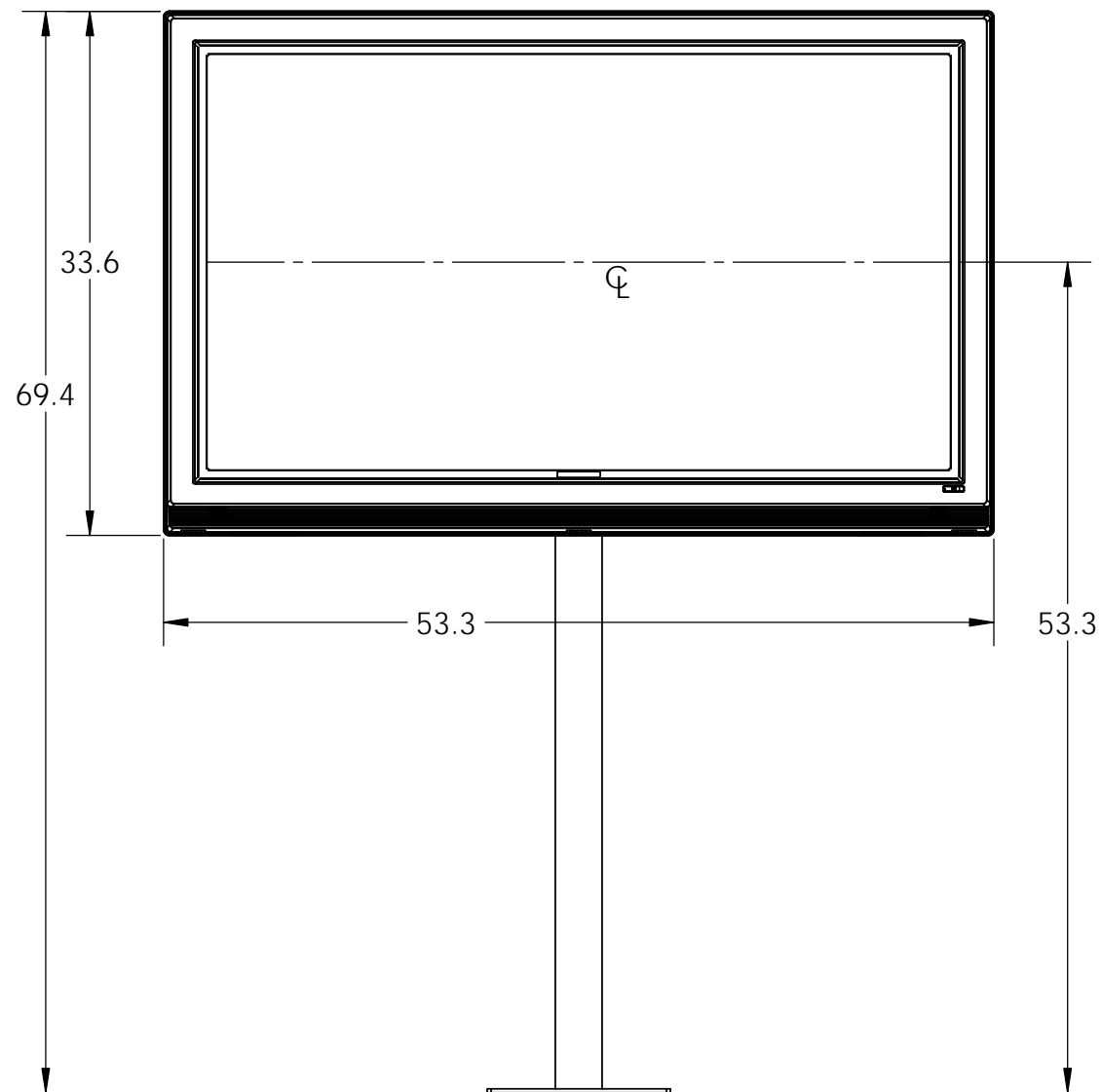
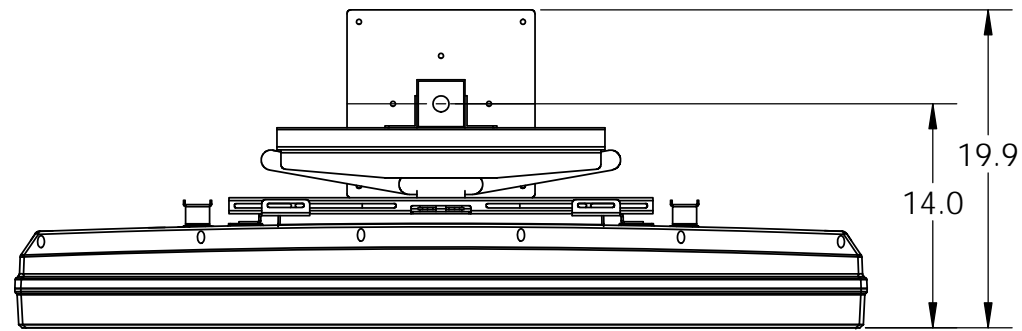
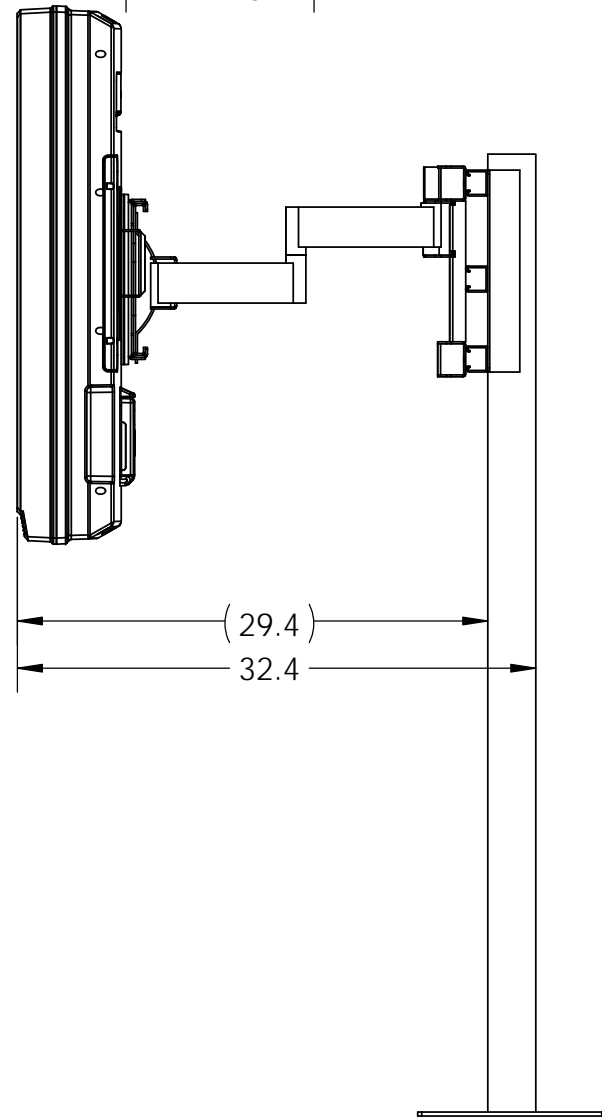

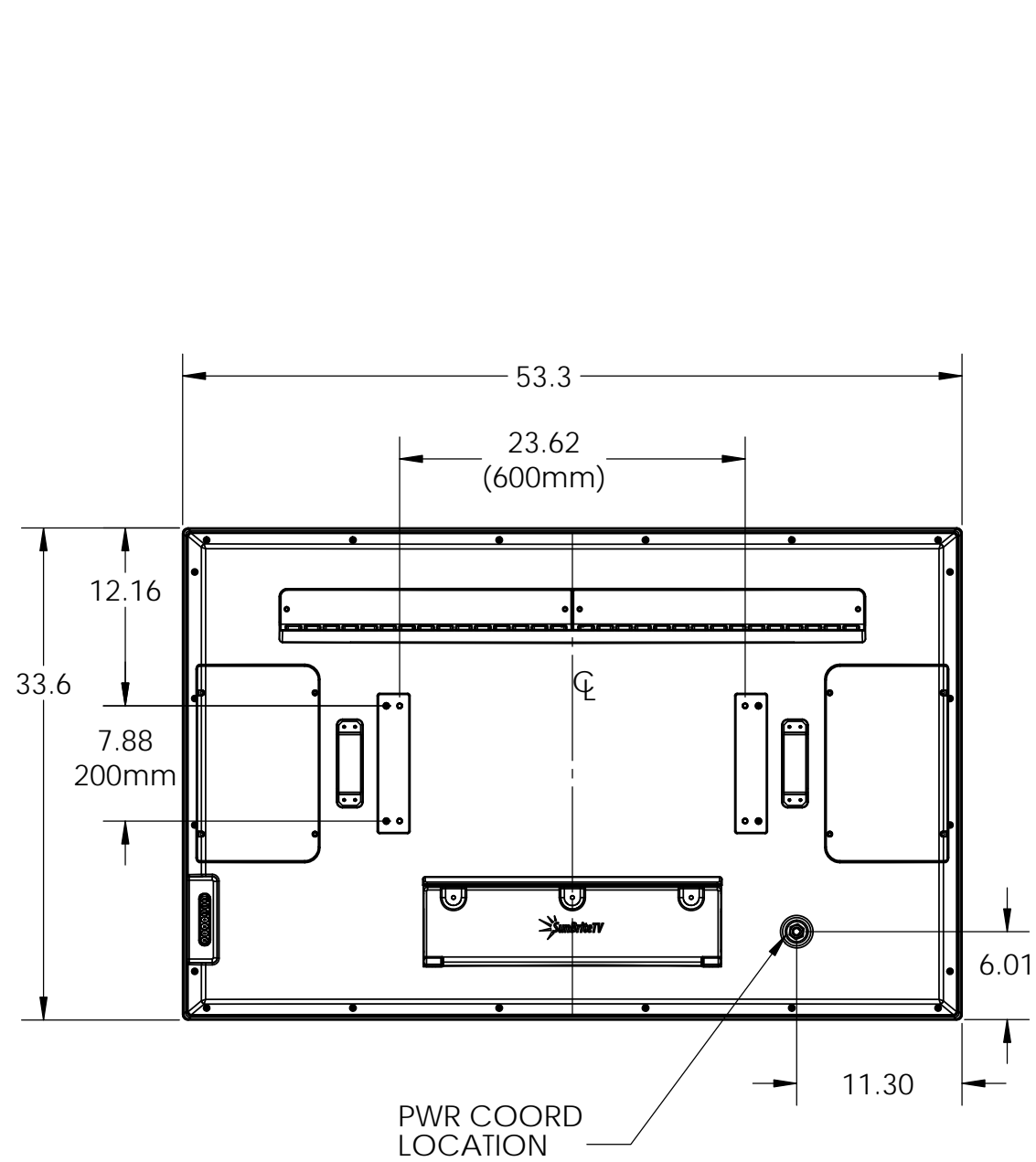


ARTICULATED MOUNT
ON POLE
(EXTENDED)

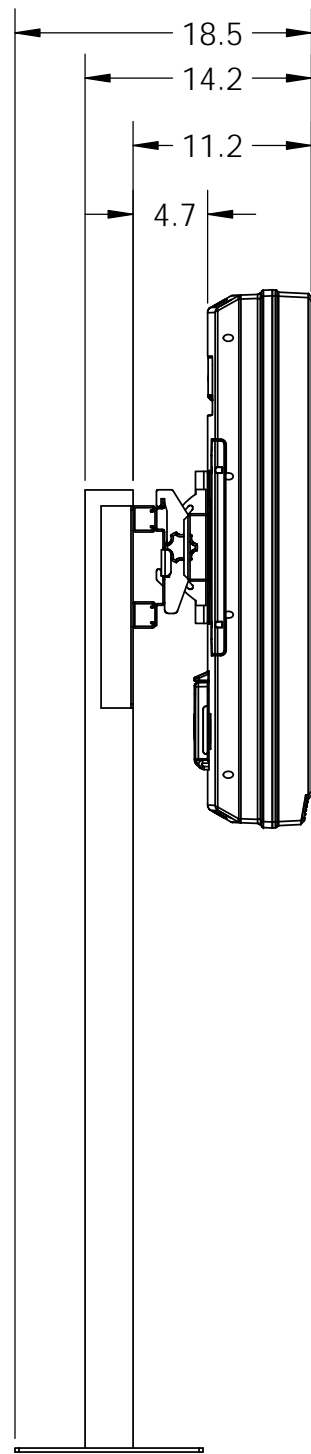


ARTICULATED MOUNT
ON POLE
(NON-EXTENDED)

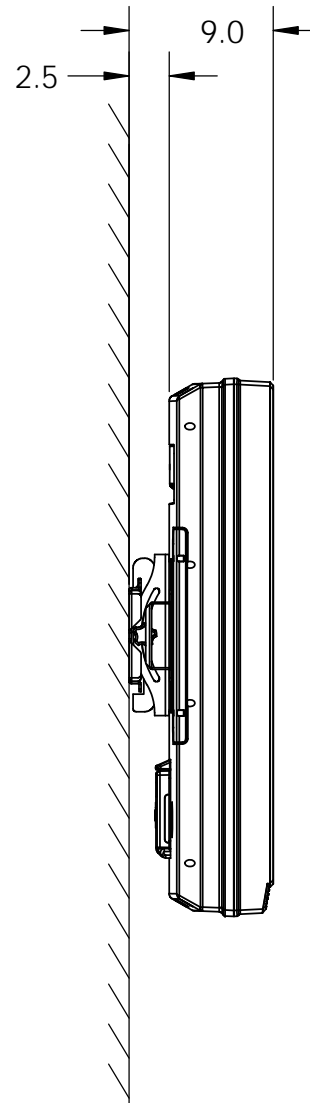
		SunBrite TV 2001 Anchor Court Thousand Oaks, CA 91320 www.sunbritev.com	
TITLE			
SB-5565 MOUNTING			
SIZE B	SCALE 1:12	PART # 12070211	REV A
SHEET 1 OF 2		STATUS RELEASED	



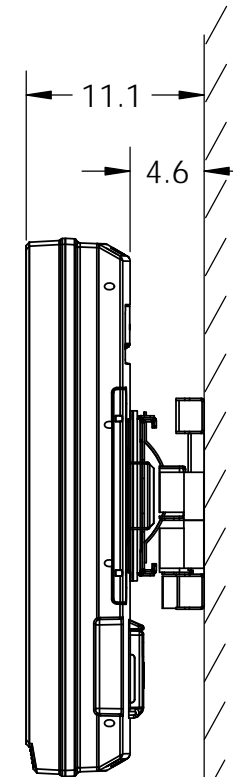
NON-ARTICULATED MOUNT ON POLE



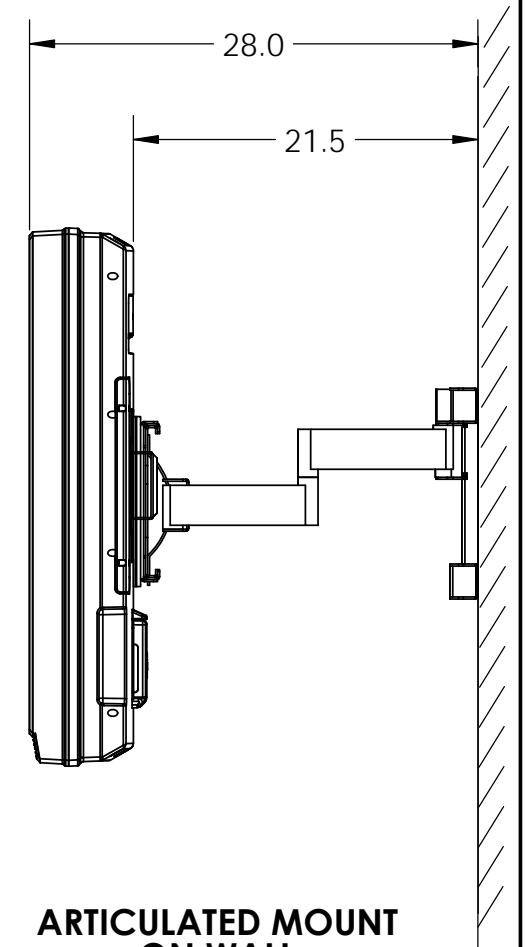
NON-ARTICULATED MOUNT ON WALL




ARTICULATED MOUNT ON WALL (NON-EXTENDED)



ARTICULATED MOUNT ON WALL (EXTENDED)



		SunBrite TV 2001 Anchor Court Thousand Oaks, CA 91320 www.sunbritev.com	
		SB-5560 MOUNTING	
SIZE B	SCALE 1:12	PART # 12070211	REV A
SHEET 2 OF 2		STATUS RELEASED	