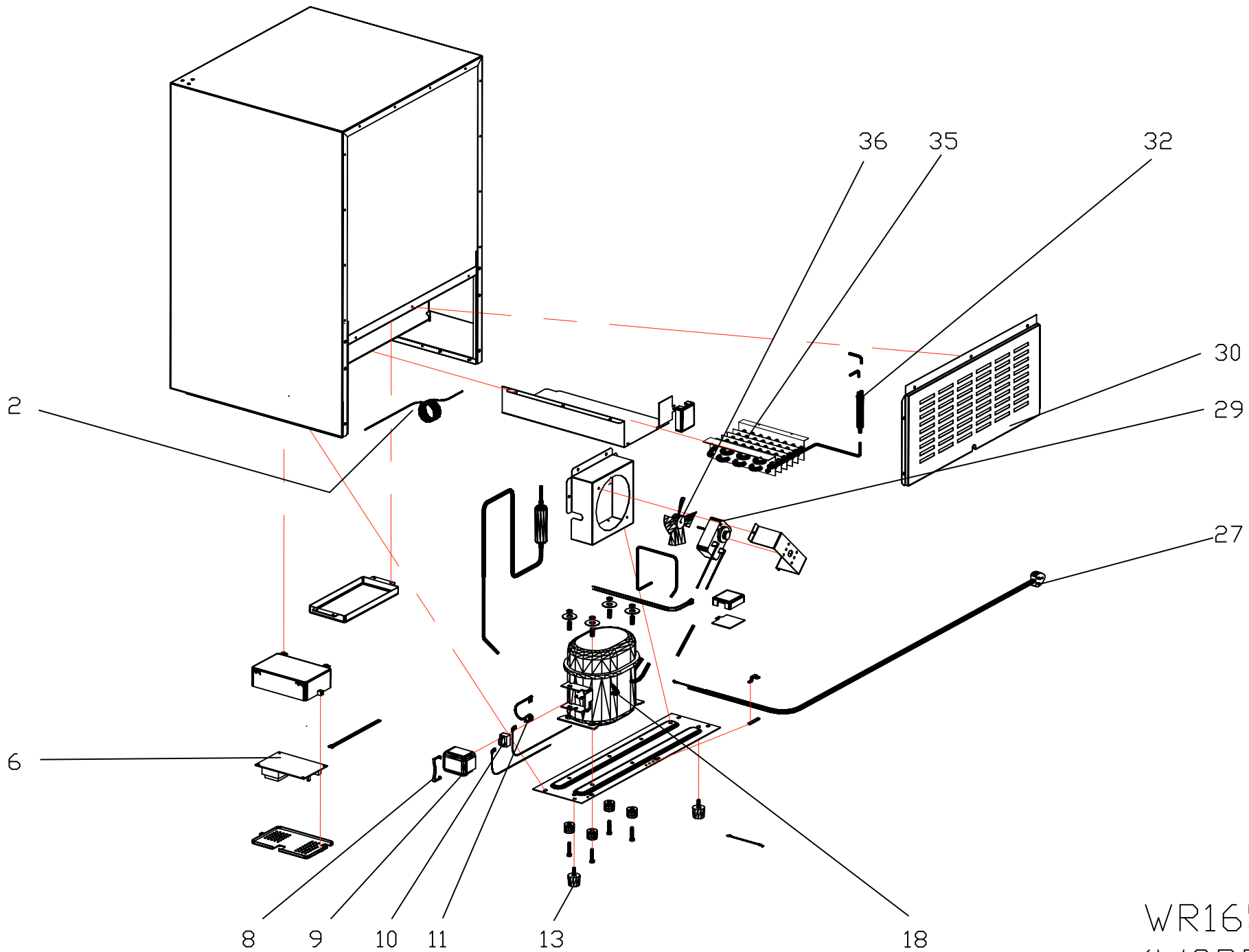
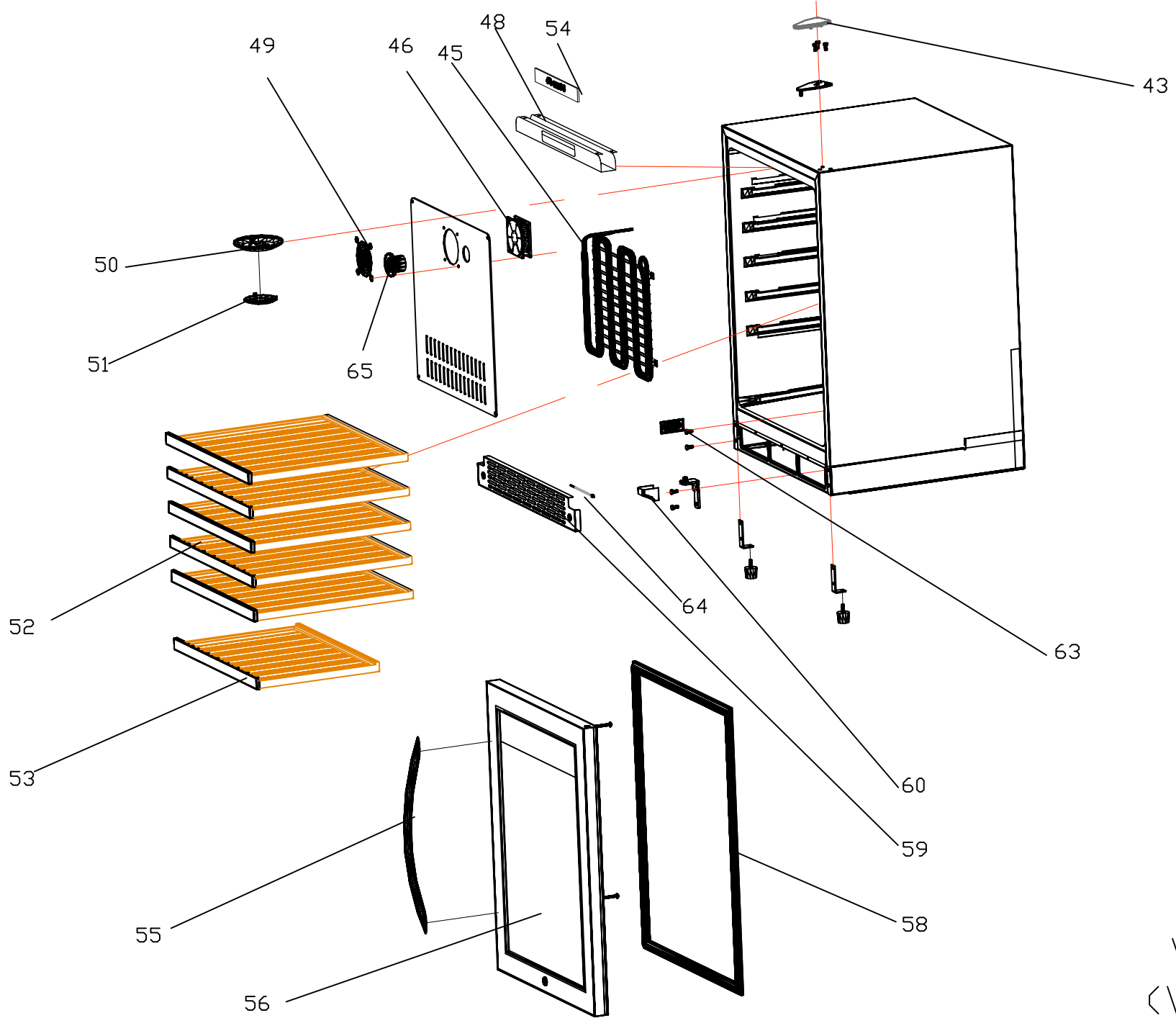


WCR520AS PARTS LIST

No	Part name	Qty	Part #
2	Capillary	1	WR165ISS002
6	PCB Board	1	WR165ISS003-C
8	Circlip	1	WR150ITT008
9	Compressor Circuit Cover	1	WR150ITT009
10	PTC Starter	1	WR150ITT010
11	Overload Protector	1	WR150ITT011
13	Leveling Feet	4	WR150ITT013
18	Compressor	1	WR150ITT018
27	Power supply	1	WR150ITT027
29	Fan Motor	1	WR150ITT029
30	Compressor Grille	1	WR150ITT030
32	Dry filter	1	WR150ITT032
35	Condenser	1	WR150ITT035
36	Fan	1	WR150ITT036
43	Upper Hinge Cover	2	WR150ITT045
45	Evaporator	1	WR165ISS007
46	DC fan	1	WR150ITT048
48	Control Panel Cover	1	WR165ISS016
49	DC fan Cover	1	WR150ITT051
50	Light Base	1	WR150ITT052
51	Light Cover	1	WR150ITT053
52	Large Shelves with SS trim	5	WR165ISS020
53	Small Shelf with SS trim	1	WR165ISS021
54	Control Panel	1	WR165ISS011-B
55	Handle	1	WR165ISS012
56	Door	1	WR165ISS013-C
58	Door Gasket	1	WR165ISS014
59	Bottom Grille	1	WR165ISS015-B
60	Lower Hinge Cover	1	WR150ITT066
63	Temperature sensor cover	1	WR150ITT069
64	magnetic light switch	1	WR165ISS019
65	Carbon Filter	1	WR150ITT050



WR165ISS
(WCR520AS)



WR165ISS
 (WCR520AS)