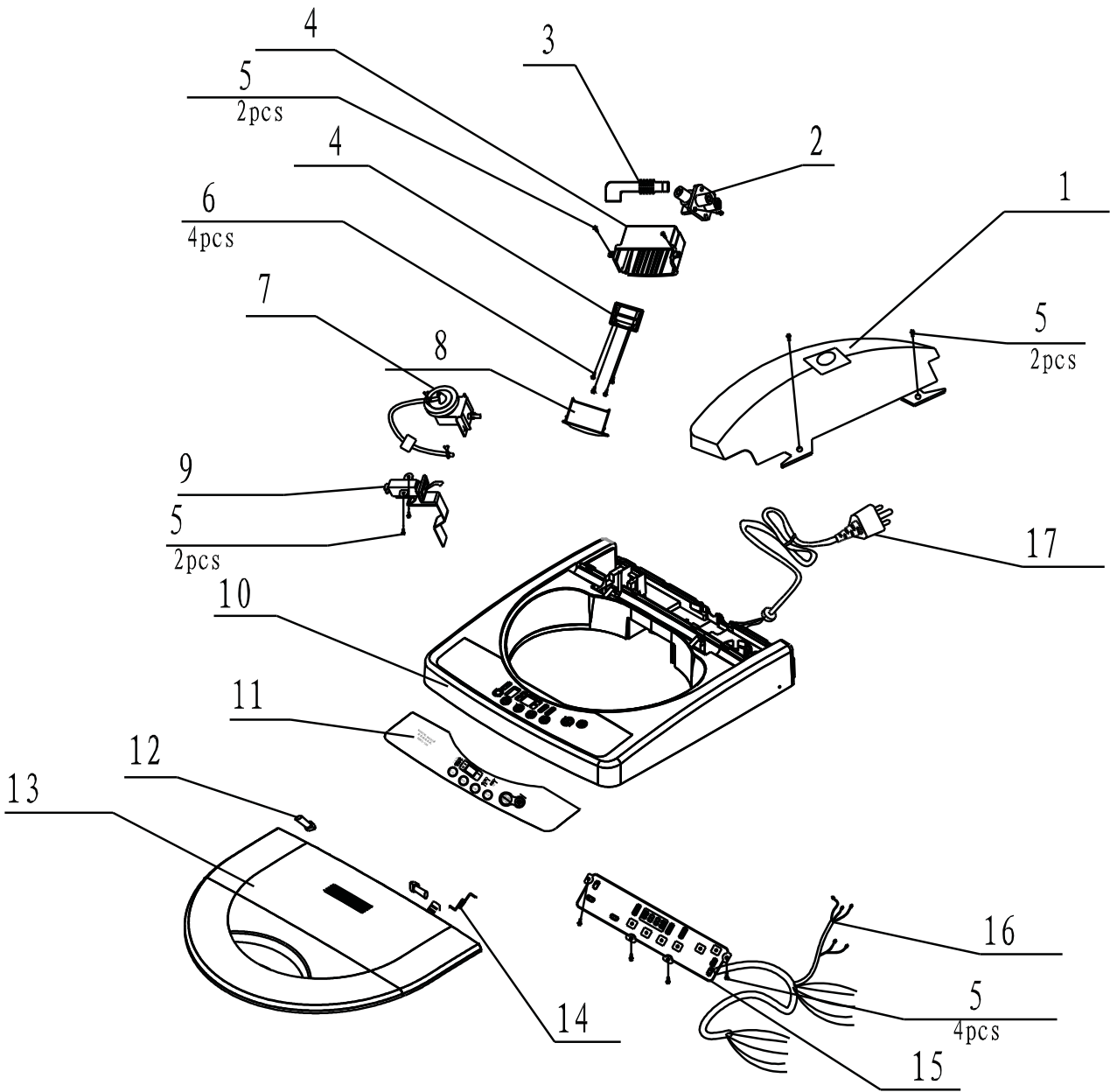
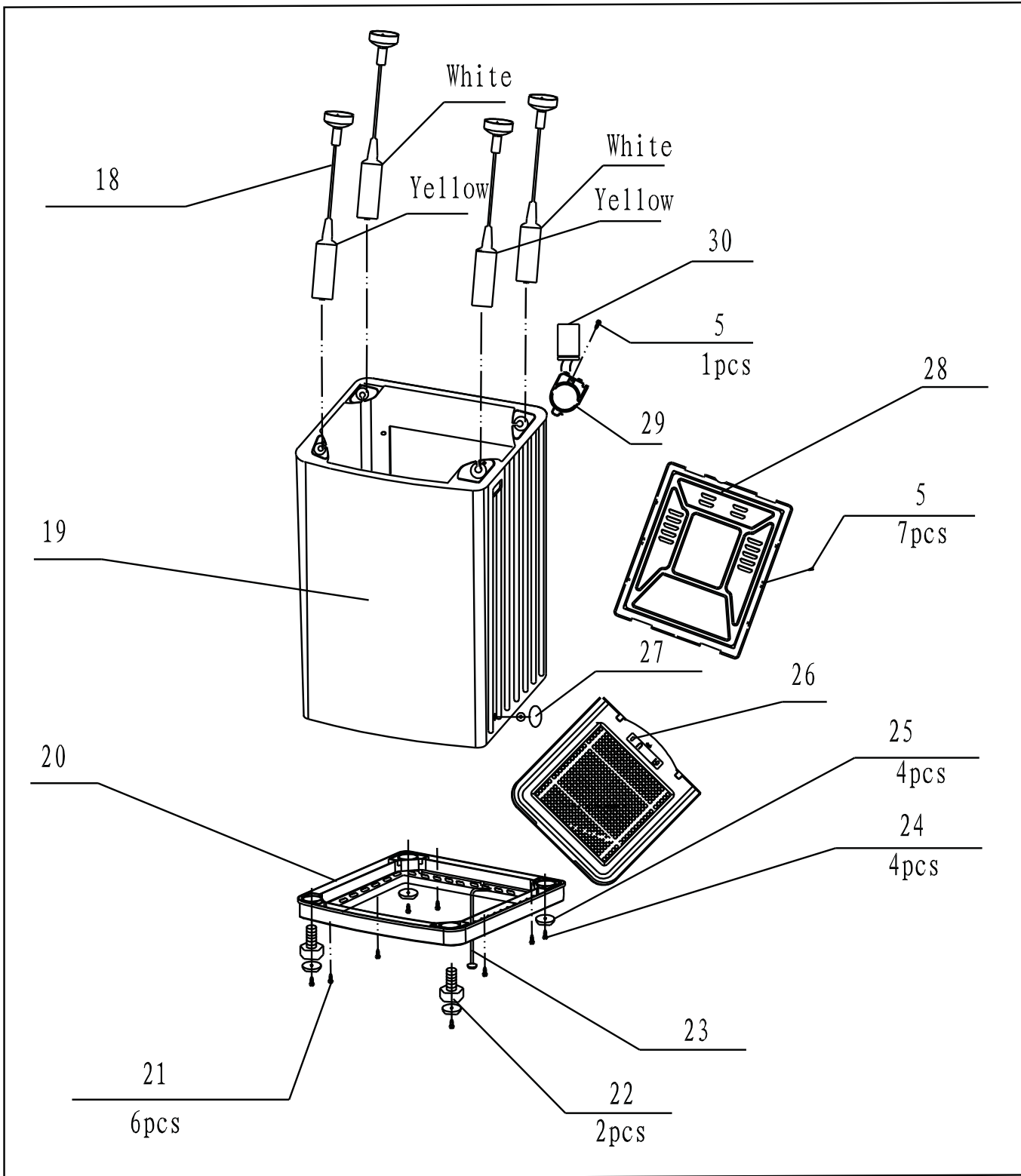
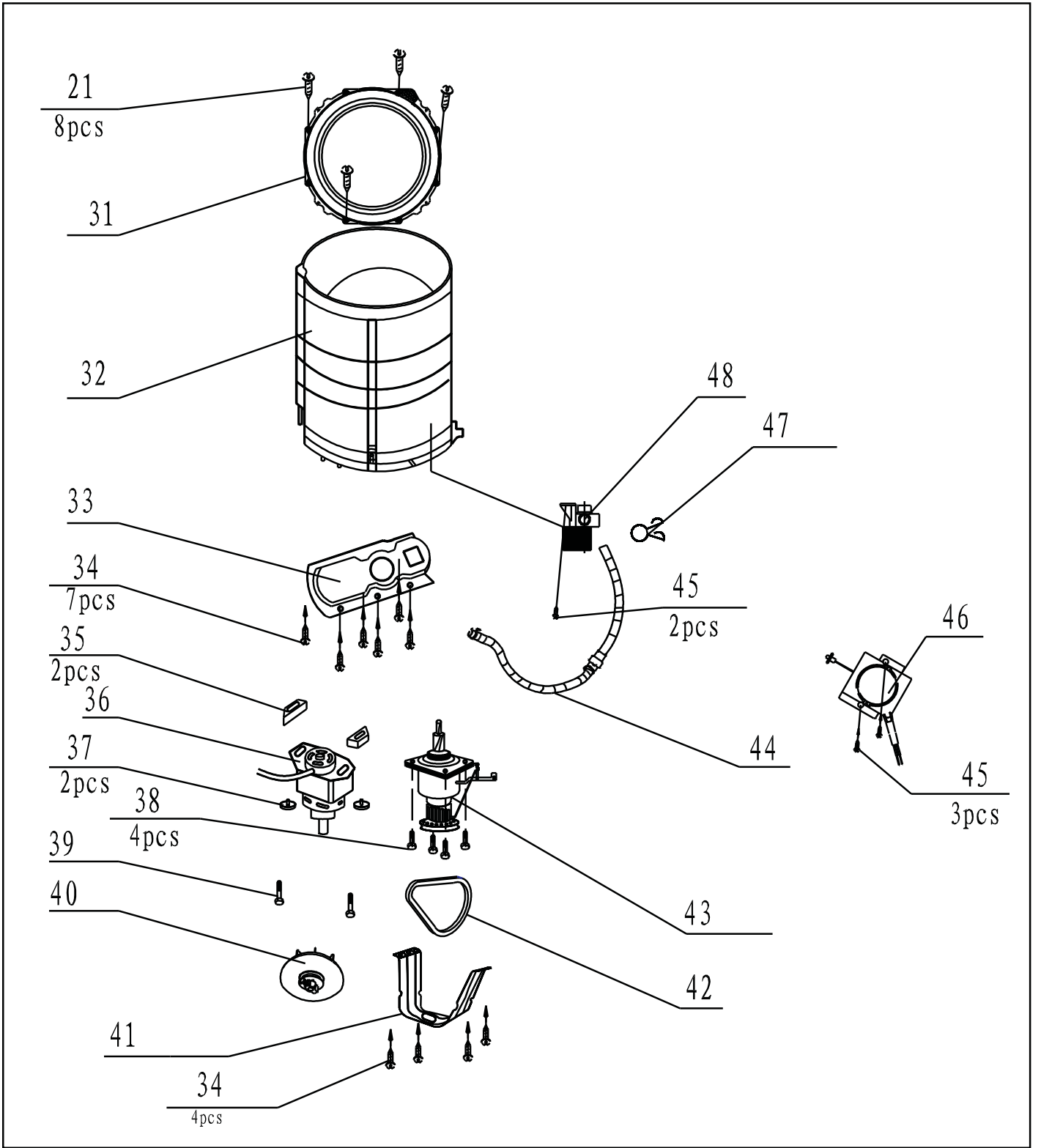
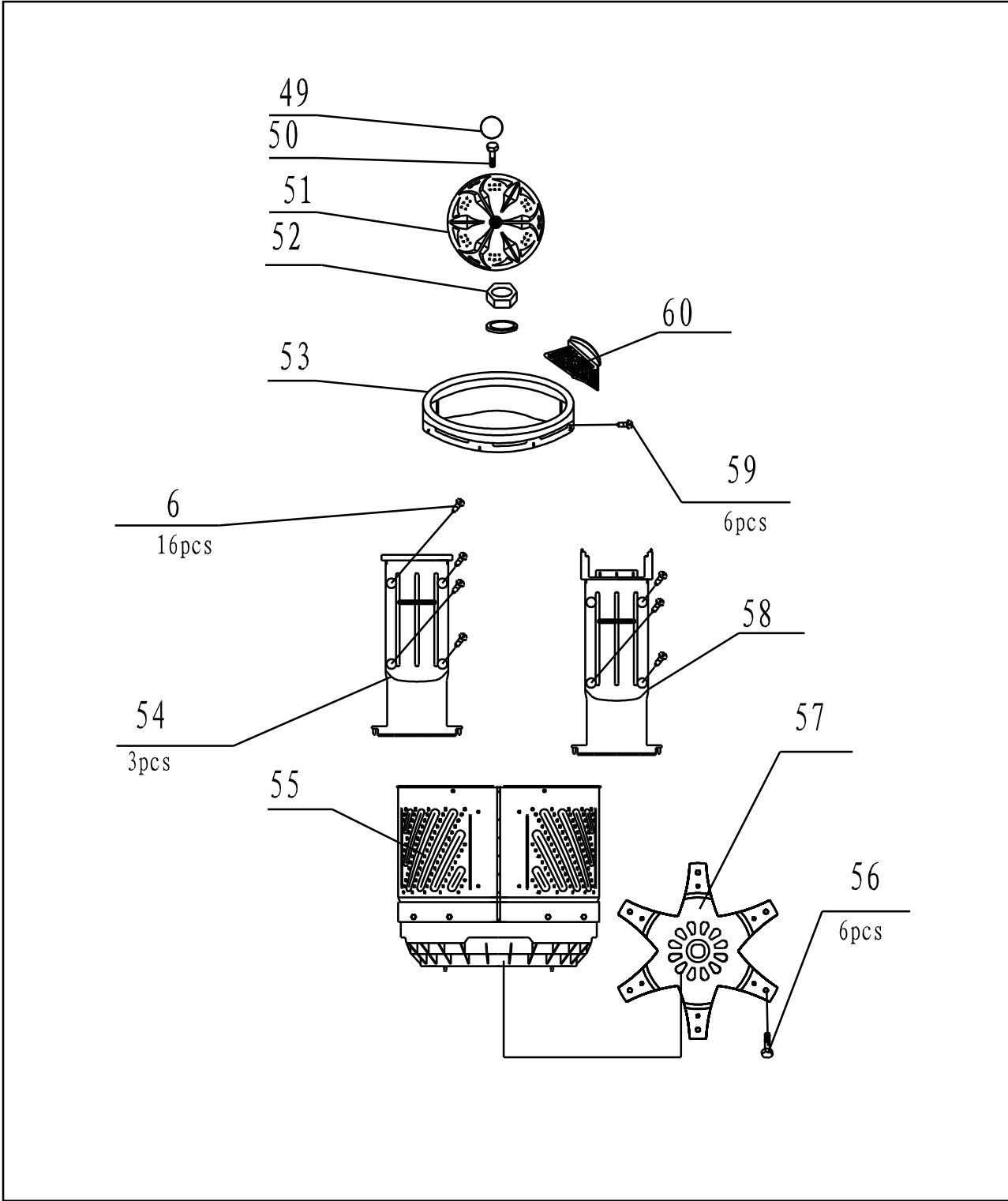


W757-1









W757-1 Spare Parts List

Item	Code No.	Part Name	Qty	Remark
1	XQB50-168A-10-501	Back cover	1	
2	XQB50-168-60-002	Water inlet valve	1	
3	XQB50-168-10-511	Water inlet hose	1	
4	XQB50-168-10-507	In-fall box	1	
5	GB845-85	ST4.2x13 bolt	23	
6	GB845-85	ST4.2x9.5 bolt	20	
7	XQB50-188-60-006	Water lever switch	1	
8	XQB50-168-10-506	Detergent case	1	
9	XQB50-168-60-001	Safe switch	1	
10	XQB50-168A-10-505	Control panel	1	
11	XQB52-188S-50-016-1	facial film	1	W757-1
12	XQB50-168-10-509	pin	2	
13	XQB50-168G-10-502	top lid	1	
14	XQB50-168-40-001	spring	1	
15	XQB52-188S-1(USA)	computer board	1	W757-1
16	XQB56-188-60-007	Internal wire	1	
17	XQB50-168-60-009	Wire	1	
18	XQB50-168-40-008	package of the boom	4	
19	XQB50-168-20-501	Body	1	
20	XQB50-168-30-501	Base	1	
21	GB845-85	ST4.2x16 bolt	15	
22	XQB50-168-30-502	Adjust	2	
23	XQB50-168-30-502	Adjust	2	
24	GB845-85	ST4.8x21 bolt	4	
25	XQB50-168-50-007	pootrest	4	
26	XQB50-168-30-503	mice proof plate	1	
27				
28	XQB50-168-20-503	Back cover	1	
29	XQB50-168-20-502	Capacitance support	1	

30	XQB50-168-60-003	capacitance	1	
31	XQB50-168-20-504	Regular circle	1	
32	XQB50-168-20-505	Tub	1	
33	XQB50-168-40-003	mounting plate	1	
34	GB9074.20-88	ST5.5x25 bolt	11	
35	XQB50-168-20-515	Down gasket	2	
36	XQB50-168-60-005	motor	1	
37	XQB50-168-20-514	up gasket	2	
38	GB9074.17-88	M8x16	4	
39	XQB50-168-40-021	Motor fixed	2	
40	XQB50-168-40-004	Motor pulley	1	
41	XQB50-168-20-522	protect the shelf	1	
42		belt	1	
43	XQB50-168-40-009	speed reducer	1	
44	XQB50-168-50-002	Drain hose	1	
45	GB845-85	ST4.8x19 bolt	5	
46	XQB50-168-60-004	Drain extractor	1	
47	XQB50-168-40-005	φ 24 clip	2	
48	XQB50-168-60-010	Drain Pump	1	
49	XQB50-168-20-513	Pulsator cover	1	
50	GB9074.10-88	M6x20 bolt	1	
51	XQB50-168-20-512	Pulsator	1	
52	XQB50-168-40-017	M24x36	1	
53	XQB50-168-20-506	balance the ring	1	
54	XQB50-168-20-509	Waterfall support	3	
55	XQB50-168-20-508	Drying tub	1	
56	GB9074.20-88	ST4.8x22.5 bolt	3	
57	XQB50-168-40-006	Trigonometry plate	1	
58	XQB50-168-20-510	Filter support	1	
59	GB9074.20-88	ST4.8x16 bolt	6	

60	XQB50-168-20-511	Filter	1	
61	XQB50-168-50-001	Water inlet pipe	2	
62	XQB50-168-50-006	Screw connector	2	
63	XQB50-168D-50-011	Top foam	1	
64	XQB50-168D-50-012	Spin tub foam	1	
65	XQB50-168-50-013	bottom foam	1	
66	XQB52-188S-50-014-1	Packing case	1	W757-1
67	W757-1	Instruction book	1	W757-1