

Use, Care, and Installation Guide

READ AND SAVE THESE INSTRUCTIONS

English

Contents

Important safety Notice.....3

Electrical & Installation requirements4

 Electrical requirements.....4

 Before installing the hood.....4

List of Materials.....5

 Parts supplied5

 Parts not supplied.....5

Dimensions and Clearances.....6

Ducting Options and Examples.....7

 Venting methods7

 Preparation7

Installation8

 Installation - Ducting version.....8

 Installation - Ductless (Recirculating) version12

Description of the hood & Controls16

 Controls.....17

Maintenance19

 Cleaning.....19

 Grease Filter19

 Replacing the light bulb19

 Charcoal Filter.....19

**APPROVED FOR RESIDENTIAL APPLIANCES
FOR RESIDENTIAL USE ONLY
READ AND SAVE THESE INSTRUCTIONS**

PLEASE READ ENTIRE INSTRUCTIONS BEFORE PROCEEDING.

INSTALLATION MUST COMPLY WITH ALL LOCAL CODES.

IMPORTANT: Save these Instructions for the Local Electrical Inspector’s use.

INSTALLER: Please leave these Instructions with this unit for the owner.

OWNER: Please retain these instructions for future reference.

Safety Warning: Turn off power circuit at service panel and lock out panel, before wiring this appliance.

Requirement: 120 V AC, 60 Hz. 15 or 20 A Branch Circuit

READ AND SAVE THESE INSTRUCTIONS

Important safety Notice

CAUTION

FOR GENERAL VENTILATING USE ONLY. **DO NOT USE TO EXHAUST HAZARDOUS OR EXPLOSIVE MATERIALS OR VAPORS.**

WARNING

TO REDUCE THE RISK OF FIRE, ELECTRIC SHOCK, OR INJURY TO PERSONS, OBSERVE THE FOLLOWING:

- A. Use this unit only in the manner intended by the manufacturer. If you have questions, contact the manufacturer.
- B. Before servicing or cleaning the unit, switch power off at service panel and lock service panel disconnecting means to prevent power from being switched on accidentally. When the service disconnecting means cannot be locked, securely fasten a prominent warning device, such as a tag, to the service panel.
- C. Installation Work and Electrical Wiring Must Be Done By Qualified Person(s) In Accordance With All Applicable Codes & Standards, Including Fire-rated Construction.
- D. Sufficient air is needed for proper combustion and exhausting of gases through the flue (Chimney) of fuel burning equipment to prevent back-drafting. Follow the heating equipment manufacturers guideline and safety standards such as those published by the National Fire Protection Association (NFPA), the American Society for Heating, Refrigeration and Air Conditioning Engineers (ASHRAE), and the local code authorities.
- E. When cutting or drilling into wall or ceiling, do not damage electrical wiring and other hidden utilities.
- F. Ducted systems must always be vented to the outdoors.

CAUTION

To reduce risk of fire and to properly exhaust air, be sure to duct air outside - do not vent exhaust air into spaces within walls, ceilings, attics, crawl spaces, or garages.

WARNING

TO REDUCE THE RISK OF FIRE, USE ONLY METAL DUCT WORK.

Install this hood in accordance with all requirements specified.

WARNING

To Reduce The Risk Of Fire Or Electric Shock, Do Not Use This Hood With Any External Solid State Speed Control Device.

WARNING

TO REDUCE THE RISK OF A RANGE TOP GREASE FIRE.

- a) Never leave surface units unattended at high settings. Boilovers cause smoking and greasy spillovers that may ignite. Heat oils slowly on low or medium settings.
- b) Always turn hood ON when cooking at high heat or when flambing food (I.e. Crepes Suzette, Cherries Jubilee, Peppercorn Beef Flambe').
- c) Clean ventilating fans frequently. Grease should not be allowed to accumulate on fan or filter.
- d) Use proper pan size. Always use cookware appropriate for the size of the surface element.

WARNING

TO REDUCE THE RISK OF INJURY TO PERSONS, IN THE EVENT OF A RANGE TOP GREASE FIRE, OBSERVE THE FOLLOWING:

- a) SMOTHER FLAMES with a close-fitting lid, cookie sheet, or other metal tray, then turn off the gas burner or the electric element. **BE CAREFUL TO PREVENT BURNS.** If the flames do not go out immediately, **EVACUATE AND CALL THE FIRE DEPARTMENT.**
- b) **NEVER PICK UP A FLAMING PAN** - you may be burned.
- c) **DO NOT USE WATER**, including wet dishcloths or towels - a violent steam explosion will result.
- d) Use an extinguisher **ONLY** if:
 - 1) You know you have a class ABC extinguisher, and you already know how to operate it.
 - 2) The fire is small and contained in the area where it started.
 - 3) The fire department is being called.
 - 4) You can fight the fire with your back to an exit.

OPERATION

a. Always leave safety grills and filters in place. Without these components, operating blowers could catch onto hair, fingers and loose clothing.

The manufacturer declines all responsibility in the event of failure to observe the instructions given here for installation, maintenance and suitable use of the product. The manufacturer further declines all responsibility for injury due to negligence and the warranty of the unit automatically expires due to improper maintenance.

Electrical & Installation requirements

Electrical requirements

IMPORTANT

Observe all governing codes and ordinances.

It is the customer's responsibility:

To contact a qualified electrical installer.

To assure that the electrical installation is adequate and in conformance with National Electrical Code, ANSI/NFPA 70 — latest edition*, or CSA Standards C22.1-94, Canadian Electrical Code, Part 1 and C22.2 No.0-M91 - latest edition** and all local codes and ordinances.

If codes permit and a separate ground wire is used, it is recommended that a qualified electrician determine that the ground path is adequate.

Do not ground to a gas pipe.

Check with a qualified electrician if you are not sure range hood is properly grounded.

Do not have a fuse in the neutral or ground circuit.

IMPORTANT

Save Installation Instructions for electrical inspector's use.

The range hood must be connected with copper wire only.

The range hood should be connected directly to the fused disconnect (Or circuit breaker) box through metal electrical conduit.

Wire sizes must conform to the requirements of the National Electrical Code ANSI/NFPA 70 — latest edition*, or CSA Standards C22.1-94, Canadian Electrical Code Part 1 and C22.2 No. 0-M91 - latest edition** and all local codes and ordinances.

A U.L.- or C.S.A.-listed conduit connector must be provided at each end of the power supply conduit (at the range hood and at the junction box).

Copies of the standards listed may be obtained from:

* National Fire Protection Association Batterymarch Park Quincy, Massachusetts 02269

** CSA International 8501 East Pleasant Valley Road Cleveland, Ohio 44131-5575

Before installing the hood

1. For the most efficient air flow exhaust, use a straight run or as few elbows as possible.
CAUTION: Vent unit to outside of building, only.
2. At least two people are necessary for installation.
3. The hood is fitted with Screws and Drywall Anchors suitable for most surfaces, consult a Qualified Installer, check if they perfectly fit with your cabinet/wall.
4. Do not use flex ducting.
5. COLD WEATHER installations should have an additional backdraft damper installed to minimize backward cold air flow and a nonmetallic thermal break to minimize conduction of outside temperatures as part of the ductwork. The damper should be on the cold air side of the thermal break.
The break should be as close as possible to where the ducting enters the heated portion of the house.
6. Make up air: Local building codes may require the use of Make-Up Air Systems when using Ducted Ventilation Systems greater than specified CFM of air movement. The specified CFM varies from locale to locale. Consult your HVAC professional for specific requirements in your area.

List of Materials

Parts supplied

Removing the packaging

CAUTION!

Remove carton carefully, Wear gloves to protect against sharp edges.

WARNING!

Remove the protective film covering the product before putting into operation.

- Hood structure assembly with blower, transition.
- 4 Lamps already installed.
- 1 Grease filter
- 4 Duct covers.
- Hardware bag with:
 - Ceiling Mount Template
 - Use, care and installation guide
 - Wood screws (4 pieces - 3/16" x 1" 3/4)
 - Glass Brackets, Springs, Gaskets (2 each)
 - Assembly screws (70 pieces)
 - 4 Plastic Springs
 - Duct cover brackets (4 each)
- 8 Vertical supports.
- 2 Upper Ductcover supports.
- 2 Horizontal supports.
- Glass canopy

Parts not supplied

Optional Accessories

• Ductless Recirculating Kit

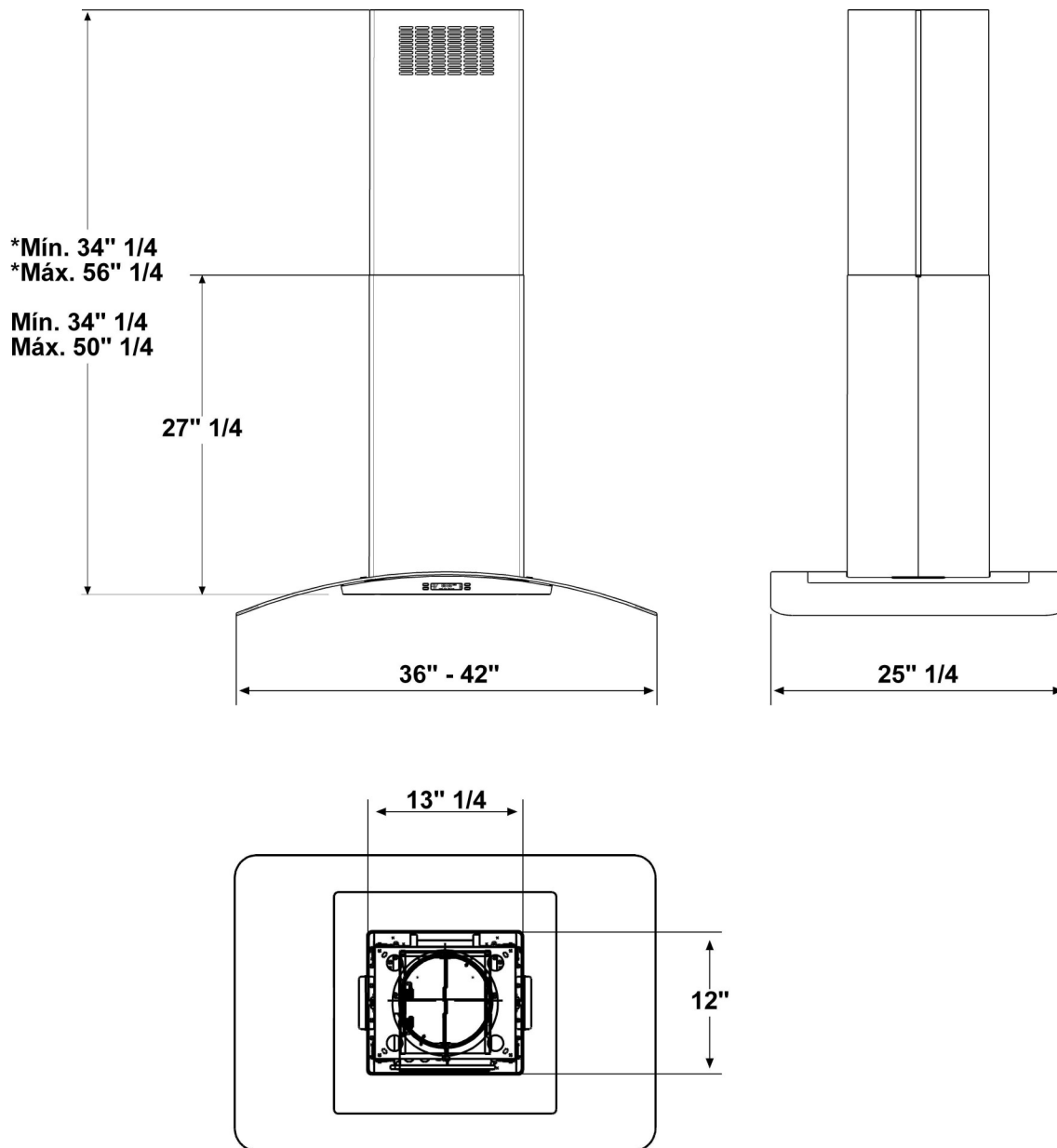
To be used only in the **Ductless (Recirculating) version**

includes: charcoal filter, charcoal filter support and fixing bracket, deflector

Tools/Materials required

- Wire nuts
- Tape to mount template
- 8" rounded metal duct length to suit installation
- Measuring tape
- Pliers
- Gloves
- Knife
- Safety glasses
- Electric drill with 5/16" and 3/8" Bits
- Strain relief
- Spirit level
- Duct tape
- Screwdrivers:
 - Phillips (Posidrive) # 2
 - Torx # 2
- Wire cutter/stripper
- Masking tape
- Hammer
- Saw, jig saw or reciprocating saw

Dimensions and Clearances



*** Ductless (Recirculating) version ONLY**

Ducting Options and Examples

Closely follow the instructions set out in this manual.

All responsibility, for any eventual inconveniences, damages or fires caused by not complying with the instructions in this manual, is declined.

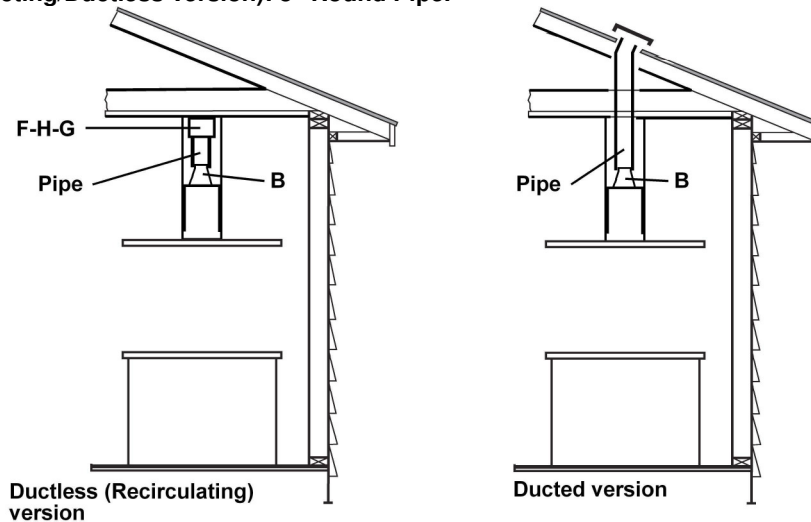
Venting methods

The hood is equipped with a transition **B** for discharge of fumes to the outside (**Ducting version**).

Should it not be possible to discharge cooking fumes and vapour to the outside, the hood can be used in the **Ductless (Recirculating) version**. Attach a charcoal filter and the deflector **F** on the duct cover support bracket **G**. Fumes and vapors are recycled through the top grille **H** by means of a duct connected to the transition **B** and the transition mounted on the deflector **F**.

NOTE: For ductless (Recirculating) version only: purchase the Ductless Recirculating Kit.

Minimum Duct Size (Ducting/Ductless version): 8" Round Pipe.



Preparation

Do not cut a joist or stud unless absolutely necessary. If a joist or stud must be cut, then a supporting frame must be constructed.

Fittings material is provided to secure the hood to most types of walls/ceilings.

However, a qualified technician must verify suitability of the materials in accordance with the type of wall/ceiling.

Before making cutouts, make sure there is proper clearance within the ceiling or wall for exhaust vent.

Hood installation height above cooktop is the users preference. The lower the hood is above the cooktop, the more efficient the capturing of cooking odors, grease and smoke.

The hood shall be installed at 24" minimum to 30" above the countertop.

Check your ceiling height and the hood height maximum before you select your hood.

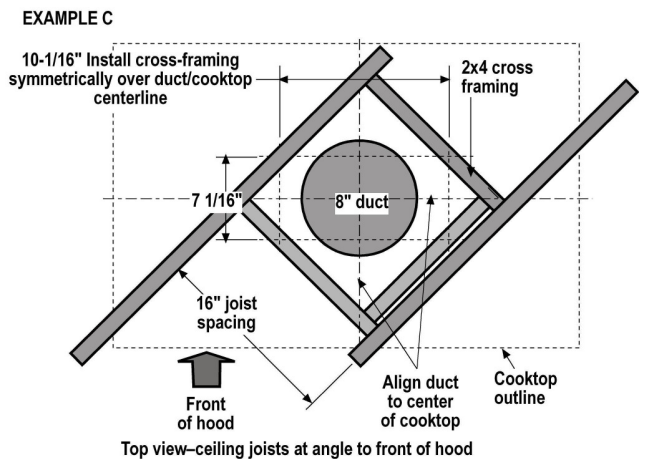
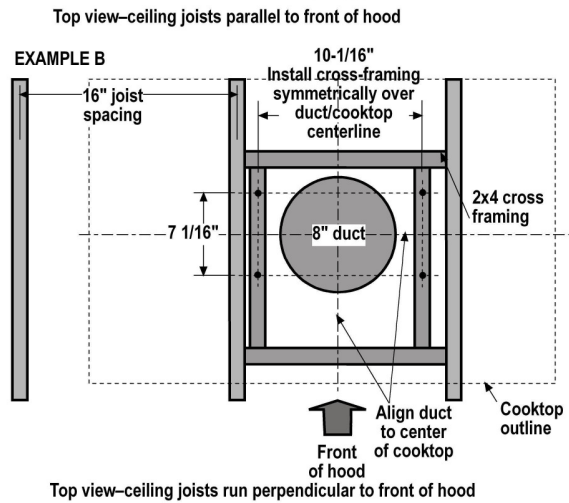
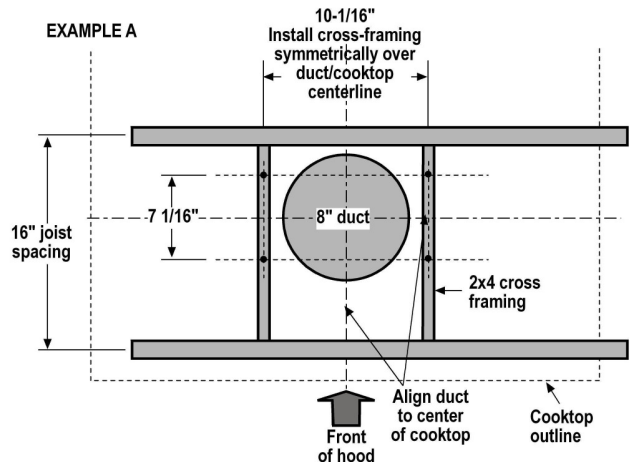
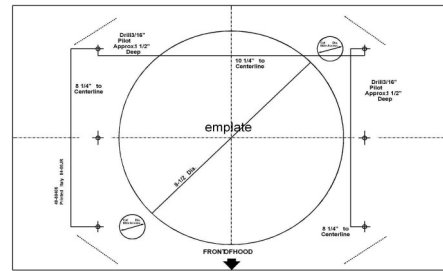
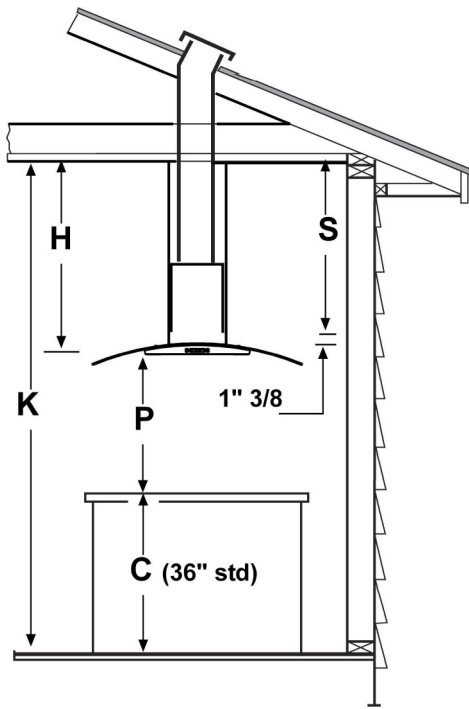
Installation

Installation - Ducting version

1. Pre-installation calculations

- K** = Kitchen Height
- C** = Counter Height (36" standard)
- P** = Preferred Height of Hood
Bottom above counter (Recommended 24"-30")
- H** = Hood height your installation
- $H = K - C - P$
- S** = Chimney Structure Height, your installation.
- $S = H - 1" \frac{3}{8}$.

- a) Select a hood preference height **P** that is comfortable for the user. (from 24" to 30").
- b) Calculate Hood height your installation $H = K - C - P$.
- c) Confirm that **H** is within the range of min to max **H** found for your model (See "Dimensions and clearances" paragraph). If not adjust your installation.
- d) Calculate Chimney structure height **S**. Save this calculation for use later in the installation.



Ceiling Support Structures

- This vent hood is heavy. Adequate structure and support must be provided in all types of installations.
- At the hood location, install 2"x 4" cross framing between ceiling joists as shown. (2"x 4" are required to support the weight of the hood.)
- Arrange cross framing in the ceiling to suit the existing structure.
- Your ceiling joists will be like one of the following examples.

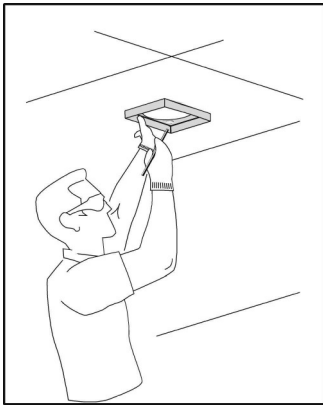
IMPORTANT

Framing must be capable of supporting 150lbs.

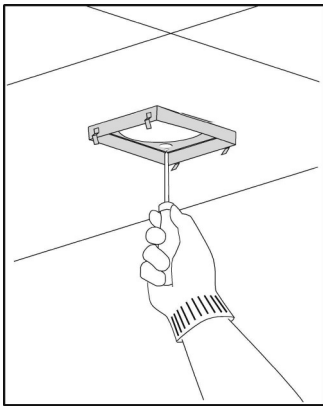
- Place the template in the ceiling considering the instructions for ceiling support structures.



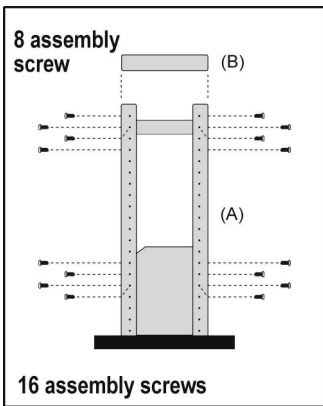
- Mark with a pencil the hole locations for screws and duct in the ceiling.



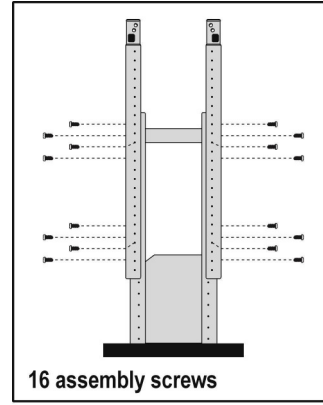
- Fix the upper horizontal support with 4 wood screws.



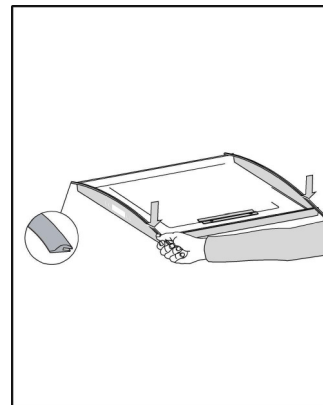
- Attach the vertical supports (inf) (A) to the hood. Then attach horizontal support (B) (inf).



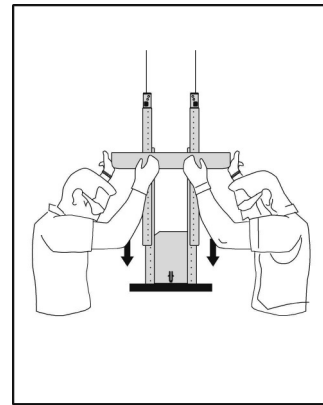
- Attach a second vertical support set to adjust the vertical distance.



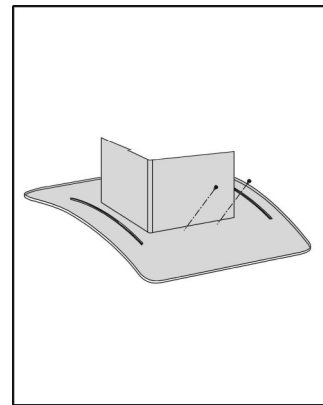
- Insert the plastic gaskets on each side of the hood (rear and front).



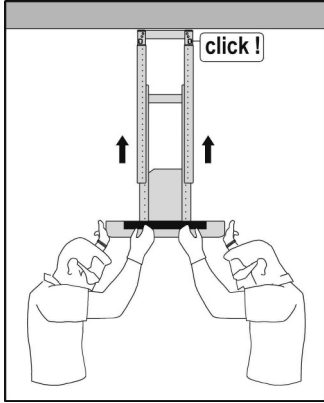
- Place the Glass Canopy onto the hood. 2 people are recommended to do this.



- Place glass brackets using 2 screws by side.

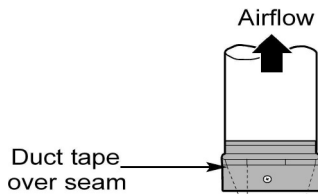


- Attach the assembly to the support fixed on the ceiling. Assure with screws (16).



Connecting the ductwork

- Install ductwork, making connections in the direction of airflow as illustrated.
- Push duct over the exhaust outlet.
- Wrap all duct joints and the flange connections with duct tape for an airtight seal.
- Make the same connection in the wall or ceiling vent exit.



Electrical connection

WARNING

Electrical Shock Hazard

Warning: Turn off power circuit at the service panel before wiring this unit.

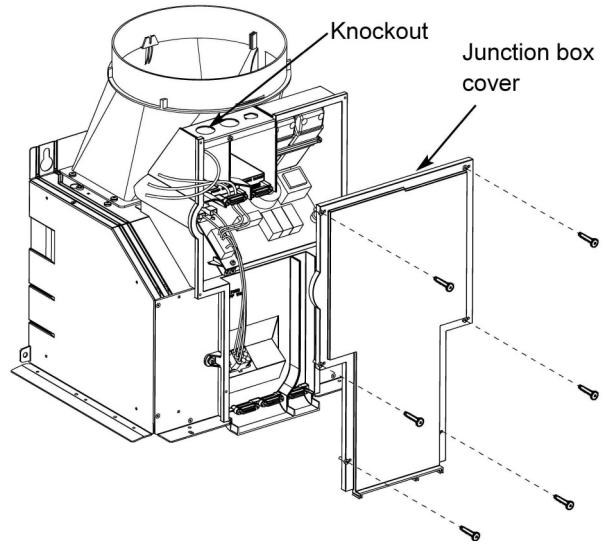
120 VAC, 15 or 20 Amp circuit required.

ELECTRICAL GROUNDING INSTRUCTIONS

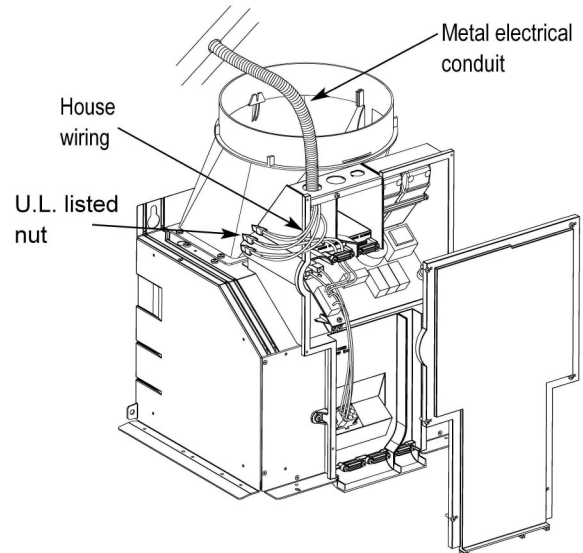
THIS APPLIANCE IS FITTED WITH AN ELECTRICAL JUNCTION BOX WITH 3 WIRES, ONE OF WHICH (GREEN/YELLOW) SERVES TO GROUND THE APPLIANCE. TO PROTECT YOU AGAINST ELECTRIC SHOCK, THE GREEN AND YELLOW WIRE MUST BE CONNECTED TO THE GROUNDING WIRE IN YOUR HOME ELECTRICAL SYSTEM, AND IT MUST UNDER NO CIRCUMSTANCES BE CUT OR REMOVED.

Failure to do so can result in death or electrical shock.

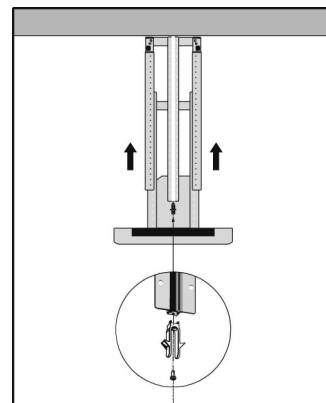
Facing the front of the range hood, remove the left knockout and the Junction box cover and install the conduit connector (cULus listed) in junction box.



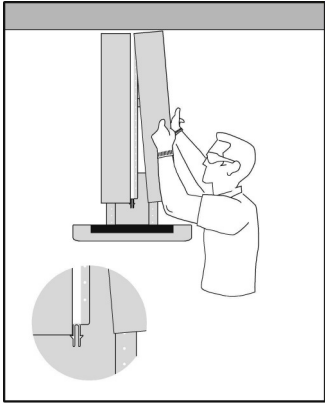
- If not already done, install 1/2" conduit connector in j-box.



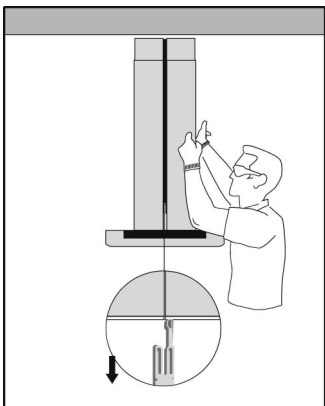
- Attach the vertical duct cover supports using 4 screws. Place each spring using a screw by side.



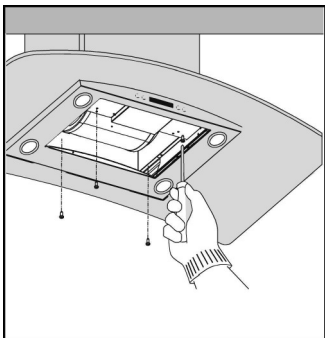
- Place upper duct covers sliding through until spring sounds "click". Then verify.



- Place lower duct covers using one plastic bracket at each vertex (4 needed).



- The lower duct cover shall be secured to rangehood by 4 screws.

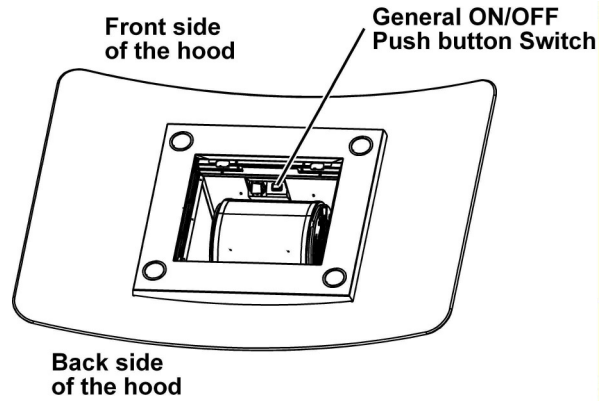


Install the grease filter and turn power on at service panel. Check operation of the hood.

If range hood does not operate:

- Check that the circuit breaker is not tripped or the house fuse blown.
- Disconnect power supply. Check that wiring is correct.

- Check that the internal General ON/OFF Push button Switch is switched ON.



To get the most efficient use from your new range hood, read the "Use and Care Information" section.

Keep your Installation Instructions and Use and Care Guide close to range hood for easy reference.

Installation - Ductless (Recirculating) version

1. Pre-installation calculations

K = Kitchen Height

C = Counter Height (36" standard)

P = Preferred Height of Hood

Bottom above counter (Recommended 24"-30")

H = Hood height your installation

$H = K - C - P$

S = Chimney Structure Height, your installation.

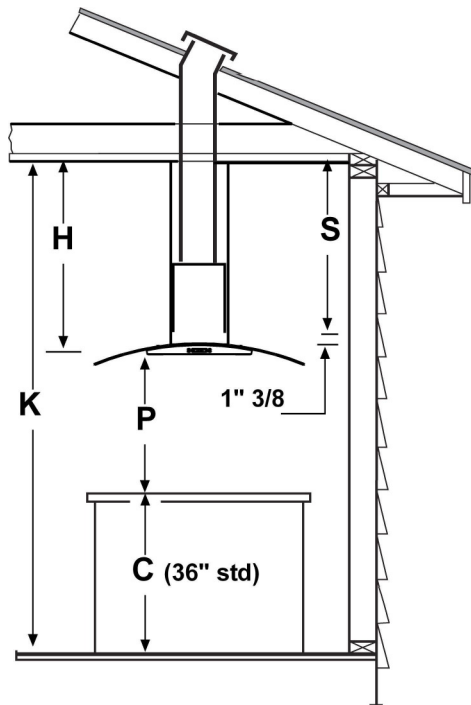
$S = H - 1" \frac{3}{8}$.

a) Select a hood preference height **P** that is comfortable for the user. (from 24" to 30").

b) Calculate Hood height your installation $H = K - C - P$.

c) Confirm that **H** is within the range of min to max **H** found for your model (See "Dimensions and clearances" paragraph). If not adjust your installation.

d) Calculate Chimney structure height **S**. Save this calculation for use later in the installation.

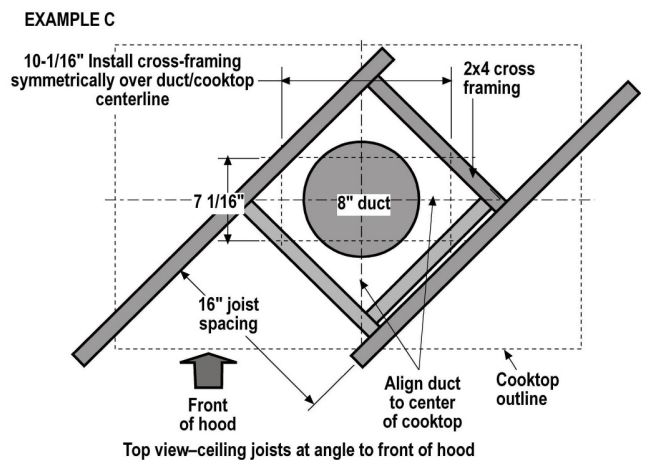
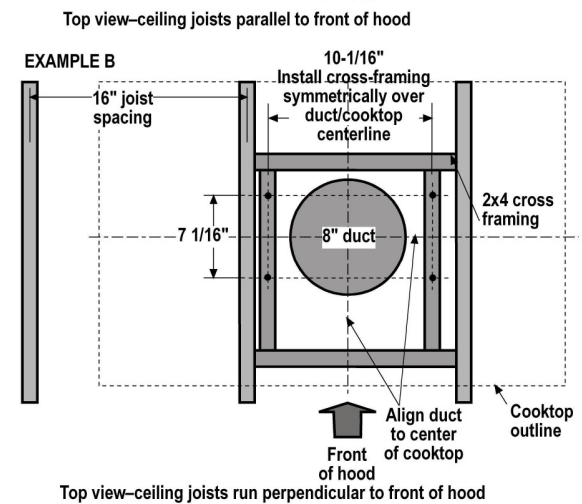
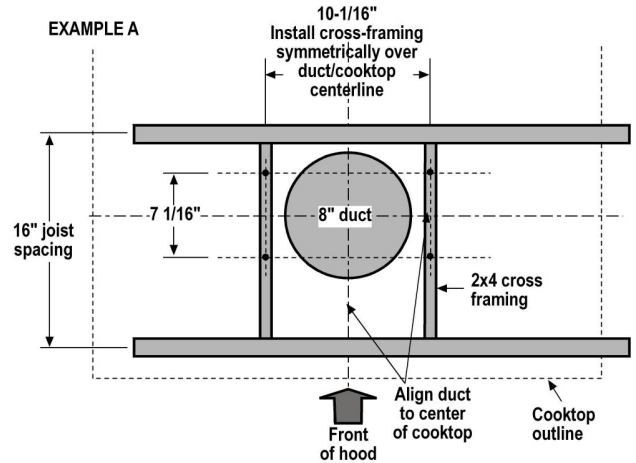
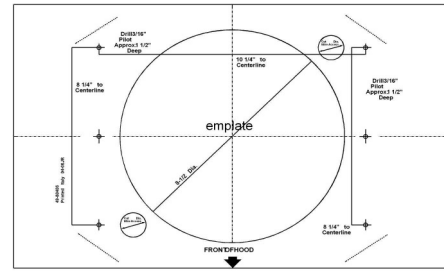


Ceiling Support Structures

- This vent hood is heavy. Adequate structure and support must be provided in all types of installations.
- At the hood location, install 2"x 4" cross framing between ceiling joists as shown. (2"x 4" are required to support the weight of the hood.)
- Arrange cross framing in the ceiling to suit the existing structure.
- Your ceiling joists will be like one of the following examples.

IMPORTANT

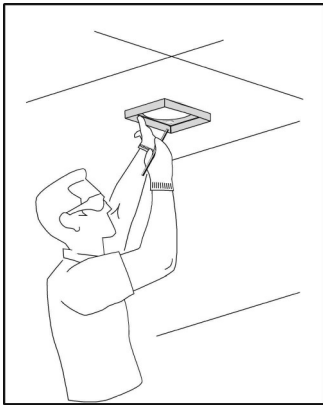
Framing must be capable of supporting 150lbs.



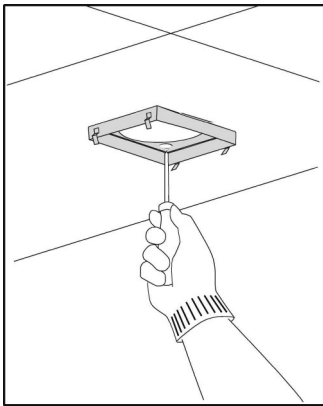
- Place the template in the ceiling considering the instructions for ceiling support structures.



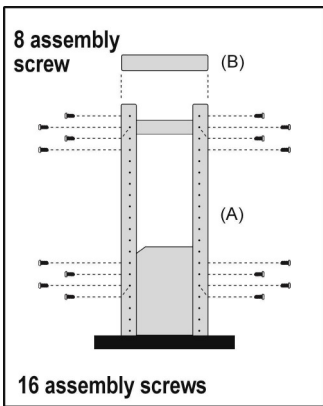
- Mark with a pencil the hole locations for screws and duct in the ceiling.



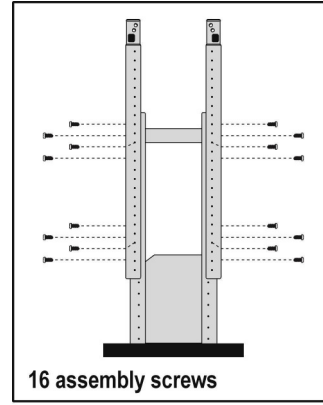
- Fix the upper horizontal support with 4 wood screws.



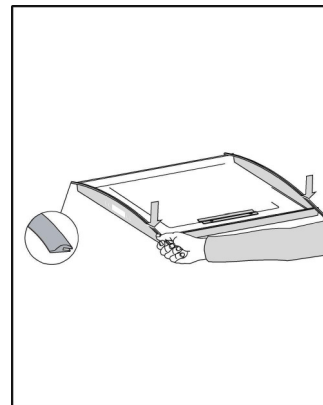
- Attach the vertical supports (inf) (A) to the hood. Then attach horizontal support (B) (inf).



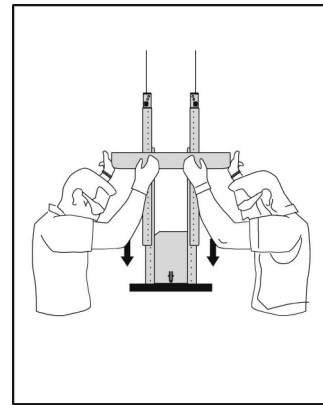
- Attach a second vertical support set to adjust the vertical distance.



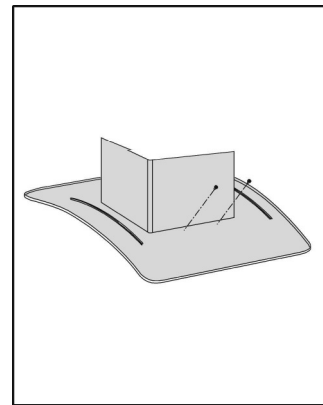
- Insert the plastic gaskets on each side of the hood (rear and front).



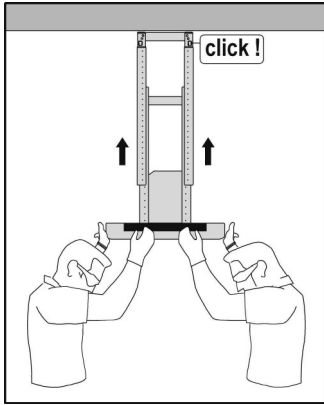
- Place the Glass Canopy onto the hood. 2 people are recommended to do this.



- Place glass brackets using 2 screws by side.

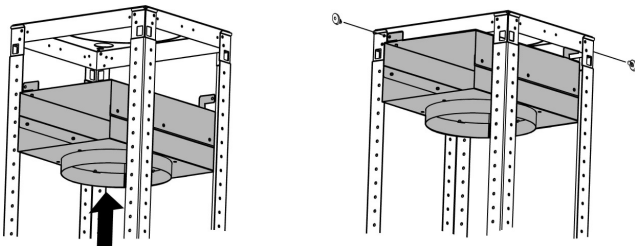


- Attach the assembly to the support fixed on the ceiling. Assure with screws (16).

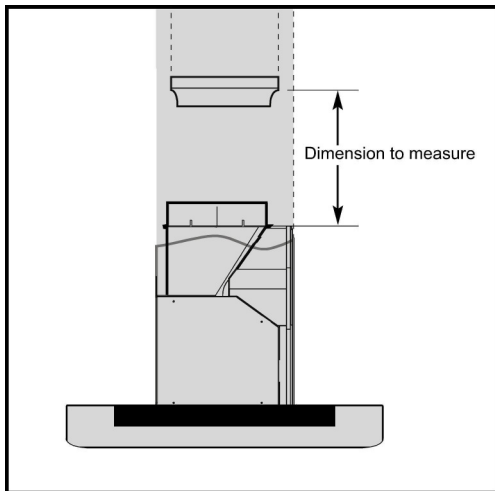


Air deflector installation

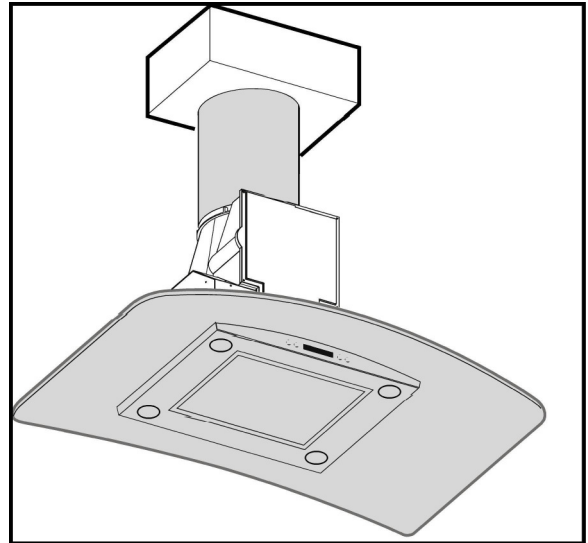
- Assemble the air deflector with the upper horizontal support with 2 assembly screws.



- Measure from the bottom of the air deflector to the bottom of the hood outlet, as shown.



- Cut the duct at the measured size.
- Slip the duct onto the bottom of the deflector.
- Place the duct over the exhaust outlet from the hood.
- Use duct tape to seal the deflector and at the exhaust outlet from the hood.



Electrical connection

WARNING

Electrical Shock Hazard

Warning: Turn off power circuit at the service panel before wiring this unit.

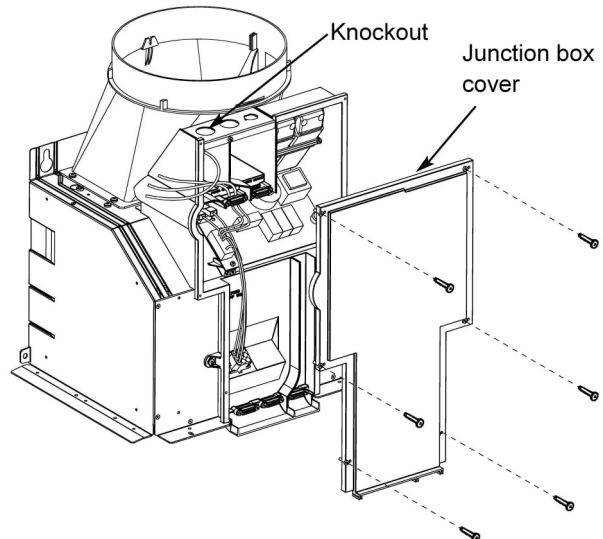
120 VAC, 15 or 20 Amp circuit required.

ELECTRICAL GROUNDING INSTRUCTIONS

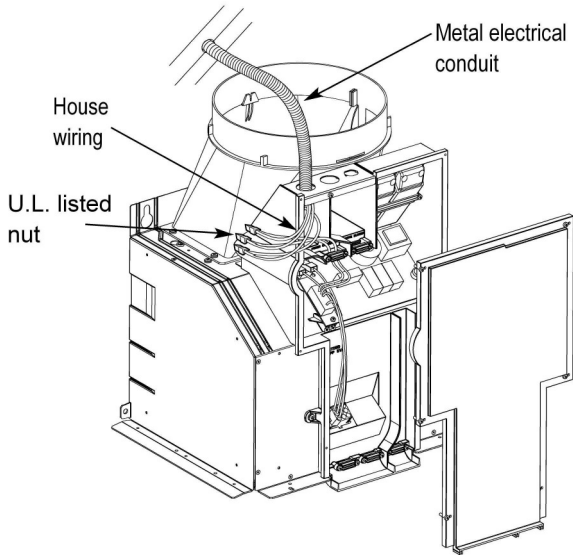
THIS APPLIANCE IS FITTED WITH AN ELECTRICAL JUNCTION BOX WITH 3 WIRES, ONE OF WHICH (GREEN/YELLOW) SERVES TO GROUND THE APPLIANCE. TO PROTECT YOU AGAINST ELECTRICAL SHOCK, THE GREEN AND YELLOW WIRE MUST BE CONNECTED TO THE GROUNDING WIRE IN YOUR HOME ELECTRICAL SYSTEM, AND IT MUST UNDER NO CIRCUMSTANCES BE CUT OR REMOVED.

Failure to do so can result in death or electrical shock.

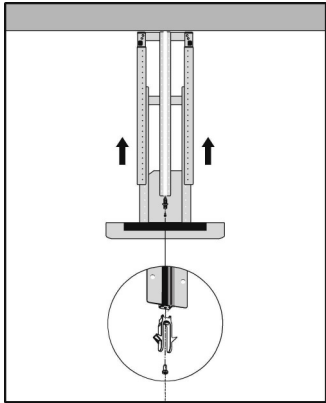
Facing the front of the range hood, remove the left knockout and the Junction box cover and install the conduit connector (cULus listed) in junction box.



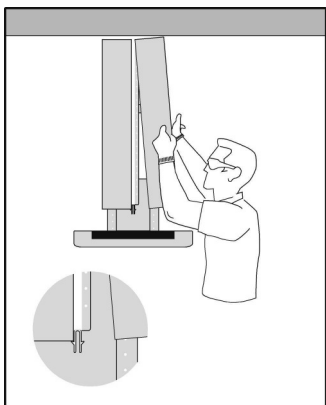
- If not already done, install 1/2" conduit connector in j-box.



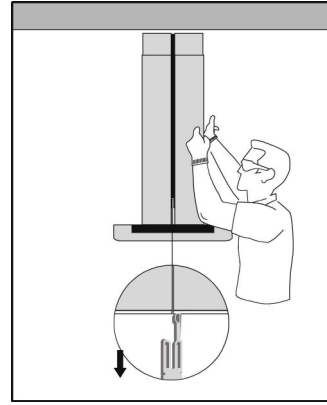
- Attach the vertical duct cover supports using 4 screws. Place each spring using a screw by side.



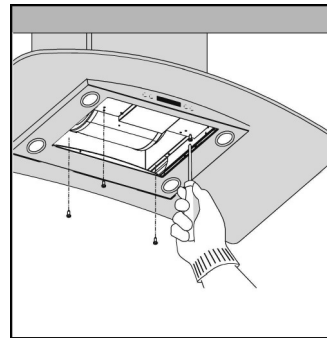
- Place upper duct covers sliding through until spring sounds "click". Then verify.



- Place lower duct covers using one plastic bracket at each vertex (4 needed).



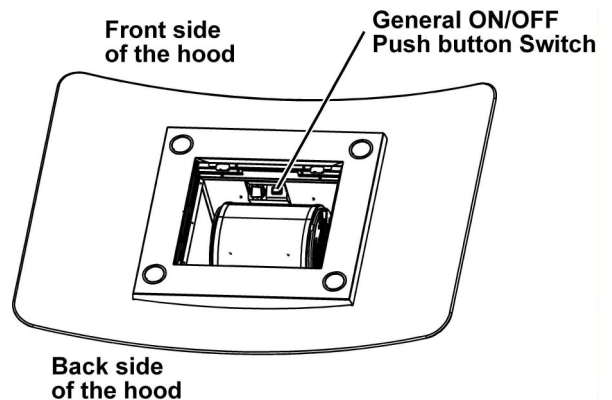
- The lower duct cover shall be secured to rangehood by 4 screws.



Install the grease filter and turn power on at service panel. Check operation of the hood.

If range hood does not operate:

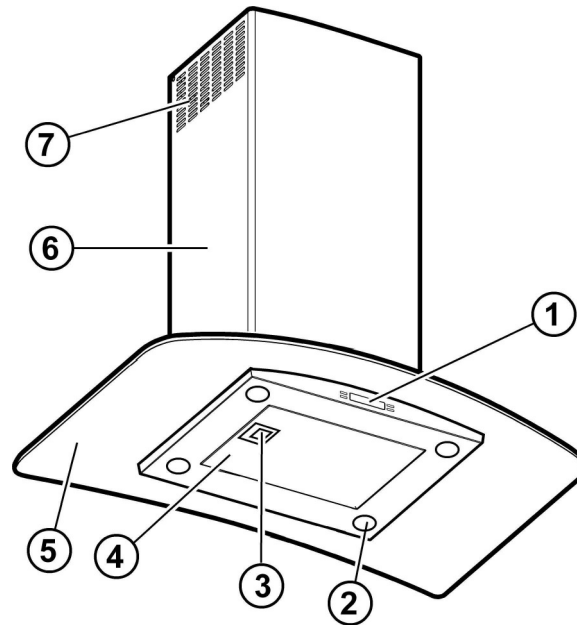
- Check that the circuit breaker is not tripped or the house fuse blown.
- Disconnect power supply. Check that wiring is correct.
- Check that the internal General ON/OFF Push button Switch is switched ON.



To get the most efficient use from your new range hood, read the "Use and Care Information" section.

Keep your Installation Instructions and Use and Care Guide close to range hood for easy reference.

Description of the hood & Controls



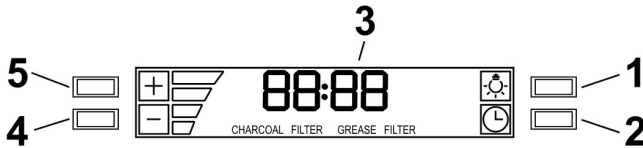
1. Blower and light controls
2. Lamp housings
3. Grease filter Handle
4. Grease filter
5. Canopy
6. Duct covers
7. Louver holes (Only for Recirculating version)

Controls

Use the high suction speed in cases of concentrated kitchen vapours. It is recommended that the cooker hood suction is switched on for 5 minutes prior to cooking and to leave in operation during cooking and for another 15 minutes approximately after terminating cooking.

Note: Hood retains last speed setting when aspiration switch is turned off.

Description of control panel



1. Light Button

- Press lamp button to turn ON the light on High Intensity (Lamp state previously OFF).
- Press lamp button to turn ON the light on Low Intensity (Lamp state previously ON).
- Press lamp button to turn OFF the light (Lamp state previously ON).

2. Timer Button

- The default timer setting is 10 minutes, and it can be adjusted between 60 minutes and 1 minute.
- After pressing the timer button, the control enters to a timer setup mode, and user can adjust the timer countdown time with the "+" and "-" buttons within 5 seconds. The timer can be initiated immediately pressing the timer button, after setting the timer duration or pressing the timer button twice (default 10 minutes setting).
- If no action occurs within 5 seconds, the countdown will start.
- During the timer setup the "+" and "-" buttons are dedicated to the timer and no motor action will occur.
- Once the timer is initiated, it can be cancelled by pressing the timer button again.

3. Display

- Shows the hood settings.

4. "-" Button. Speed Decrease / OFF

- This button is used to decrease the fan speed, or turn OFF the fan.
- The fan will turn OFF if the "-" button is pressed and the hood was in the first speed.
- If the fan is at second speed and the "-" button is pressed, the fan will be set to first speed.
- If the fan is at third speed and the "-" key is pressed, the fan will be set to second speed.
- If the fan is at fourth speed and the "-" button is pressed, the fan will be set to third speed.
- If the fan is OFF and the "-" button is pressed, the control backlight will light up.

5. "+" Button. Speed Increase / ON

- This button is used to increase the fan speed, or turn ON the fan.
- The fan will turn ON if the "+" button is pressed and the hood was OFF.
- If the fan is at first speed and the "+" button is pressed, the fan will be set to second speed.
- If the fan is at second speed and the "+" button is pressed, the fan will be set to third speed.
- If the fan is at third speed and the "+" button is pressed, the fan will be set to fourth speed.
- If the fan is at fourth speed and the "+" button is pressed, a beep will sound.

Clock programming

- The clock can be reprogrammed at any time except during an active timed function.
- The clock can be displayed in a twelve hour format and valid clock times are from 1:00 to 12:59.
- The clock can be reprogrammed pressing the "Timer" button for 3 seconds, and after, the clock can be adjusted with the "+" and "-" buttons. Colon ":" will flash indicating clock programming mode.
- The user can have minute increments / decrements of 1 minute, but if the user keep pressing the "+" / "-" buttons for more than 1 second, the increments / decrements will be of 5 minutes. During this option the control will round to the nearest 5 minutes.
- The user can finish on reprogramming the clock pressing the "Timer" button.
- After 1 minute of no button pressed the control will accept the programmed clock time and will add one minute to the set clock.

Grease filter saturation alarm (Optional)

- After thirty fan functional hours, the display will show "Grease Filter" if the fan is active. When this icon is shown in the display, the grease filters installed are required to be washed.
- To reset the grease filter saturation alarm the user must press the "+" button for 5 seconds, after this action the icon "Grease filter" is not displayed, and the hood has the normal display operation.

Charcoal filter saturation alarm (Optional)

- After one hundred and twenty functional hours of the fan, the display will show "**Charcoal Filter**" if the fan is active. When this icon flashes on display, the charcoal filters installed are required to be replaced or reactivated.
- To reset the charcoal filter saturation indication the user must press the "-" button for 5 seconds, after this time the icon "**Charcoal filter**" is not displayed and the hood has the normal display operation.

Audible signal activation and deactivation

- The audible signals can be activated or deactivated pressing the "**Light**" button for 5 seconds.
- If the audible signal is activated, a tone must sound and the "**Snd**" symbol must appear on the display for 3 seconds.
- If the audible signal is deactivated, the "**Snd**" symbol must appear on the display for 3 seconds and no tone must sound.

Charcoal filter inclusion and exclusion (Recirculating accessories)

- The charcoal filter inclusion or exclusion can be set by pressing the "+" and "-" buttons at the same time for 5 seconds.
- The Inclusion or exclusion of charcoal filter must be selected while the lamps and the motor are OFF.
- When the charcoal filter has been excluded, the charcoal filter alarm is disabled.

Heat sensor

- The control is equipped with a heat sensor that will turn on the blower at second speed if excessive heat occurs (over **158° F** or **70°C**) surrounding the control area.
- If the blower is OFF or if it is operating at first or second speed, the blower will be set automatically to third speed, the display shows the word "**CArE**" to indicate that heat sensor has detected an excessive heat.
- During this state, the user may raise the blower speed to fourth speed but can not decrease the speed.
- When the temperature level on the hood drops to normal, the blower will operate in the setting defined by the user before the alarm occurred.

Maintenance

ATTENTION! Before performing any maintenance operation, isolate the hood from the electrical supply by switching off at the connector and removing the connector fuse.

Or if the appliance has been connected through a plug and socket, then the plug must be removed from the socket.

Cleaning

The cooker hood should be cleaned regularly (at least with the same frequency with which you carry out maintenance of the fat filters) internally and externally. Clean using the cloth dampened with neutral liquid detergent. Do not use abrasive products. **DO NOT USE ALCOHOL!**

Warning:

Failure to carry out the basic cleaning recommendations of the cooker hood and replacement of the filters may cause fire risks.

Therefore, we recommend observing these instructions.

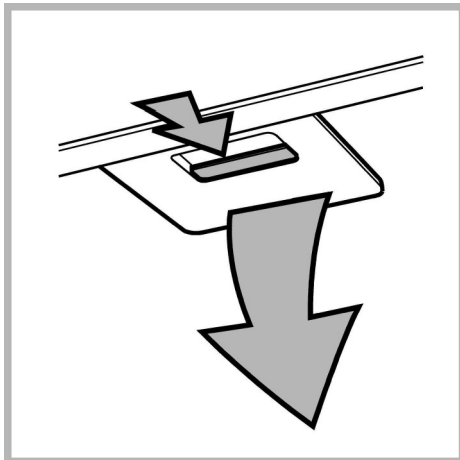
The manufacturer declines all responsibility for any damage to the motor or any fire damage linked to inappropriate maintenance or failure to observe the above safety recommendations.

Grease Filter

Traps cooking grease particles.

This must be cleaned once a month using non aggressive detergents, either by hand or in the dishwasher, which must be set to a low temperature and a short cycle. When washed in a dishwasher, the grease filter may discolour slightly, but this does not affect its filtering capacity.

To remove the grease filter, pull the spring release handle.

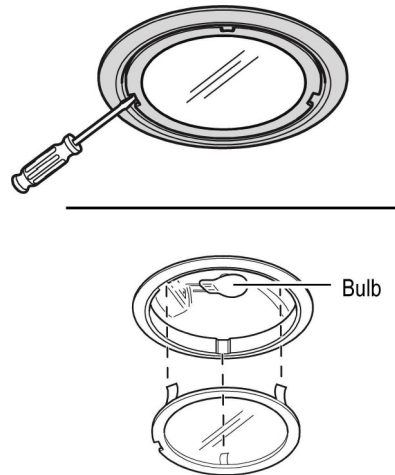


Replacing the light bulb

CAUTION

Before replacing the lamps, switch power off at service panel and lock service panel disconnecting means to prevent power from being switched on accidentally.

NOTE: Turn off the lights and fan. Allow the lights to cool before handling. If new lights do not operate be sure lights are inserted correctly before calling service.



Replace Lights

- Remove the inner lamp lens cover by inserting a small flat blade screwdriver into each of the three slots and gently prying it free.
NOTE: Do not remove the outer trim ring (lamp assembly).
- Grasp the bulb and pull it straight out.
- Replace with 12 volt, 20 watt halogen bulbs with a G4 base SUITABLE FOR USE IN OPEN LUMINAIRES.
Follow package directions, wear gloves, do not touch bulb with your bare fingers.
- Replace inner cover by inserting the three retaining tabs into the three slots and pressing them firmly in place.

Charcoal Filter

If the model is not vented to the outside, the air will be recirculated through disposable charcoal filters that help remove smoke and odors.

The charcoal filters cannot be cleaned.

They must be replaced.

The charcoal filters are clipped inside of each metal grease filter.

The charcoal filters should be replaced every 4-6 months (depending on hood usage).

NOTE: DO NOT rinse, or put charcoal filters in an automatic dishwasher.

NOTE: Charcoal filters are **not** included with the hood.

They must be ordered from your supplier.

Order the needed kit specifying your hood model and width size.

