

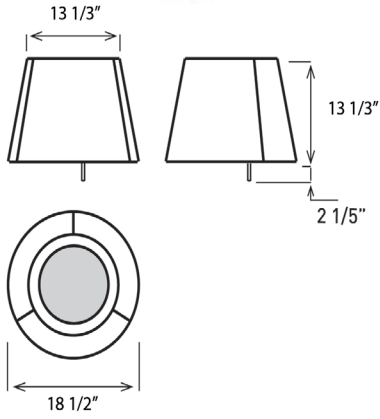


GRACE

Elica Team design
"EVOLUTION" HOOD

An everyday, intimate form that hides the true identity of the object that it is: bright enough to illuminate the words of a book, but intimately linked to the vital breath of the air.

elica
COLLECTION



Size & Type
Color/Finish

20" Wide, Island/Wall Hood
Stainless Steel & Colored Glass

Performance

Internal Blower CFM 300
In-Line Blower CFM Not available
Sones 0.3 min. - 3.8 max. - 4.1 booster

Features

Controls Magic Wand
Speed Levels 3
Booster Yes
Lighting Halogen 50Wx1 + Inc. 40Wx3
Lighting Intensities Dimmer
Filters Included Dishwasher Safe, Anodized Aluminum Mesh and Long Life Charcoal
Installation Type Recirculating Only

Description

Grace White
Grace Black

Accessories

Black Remote Control
Wall Mounted Brackets Evo
Wire Extension Kit

Code

EGR320WH
EGR320BL

Code

EXXRCDBL
EXXWMB02
EXXWEKSS

Systems & Controls

LIGHT SOFT CONTROLS

Discreet, softly cushioned buttons gently illuminate with just a touch, for easy control of blower speed and lighting.

DESIGNED FOR RECIRCULATING INSTALLATION

Anodized aluminum mesh filter removes grease, while the long-life charcoal filter purifies the air and recirculates it back into the home.

LONG LIFE CHARCOAL FILTER

Removes odors and purifies the air.

REMOTE CONTROL (sold separately)

If the Magic Wand is out of reach, Elica's slick, jet-black remote device lets you adjust blower speed and light settings from anywhere in the room.



MODEL #	FINISH	DIMENSIONS			SHIPPING LBS
		WIDTH	DEPTH	HEIGHT	
EGR320WH	Stainless Steel / Glass	18 1/2"	18 1/2"	13 1/3"	32.0
EGR320BL	Stainless Steel / Glass	18 1/2"	18 1/2"	13 1/3"	32.0

Blower Performance

SPEED LEVEL	AIRFLOW IN CFM (cubic feet per minute)	SOUND LEVEL (in sones)
1	100	0.3
2	175	2.1
3	250	3.8
Booster	300	4.1



Electrical:

AC Input: 120V - 60Hz AC Power Max.: 450W at 4.0 Amps