

PRO20

44.0" x 20.0" x 23.0" (H x W x D)

20" wide gas range with sealed burners, electronic ignition, oven window, gray finish, and black cabinet

Highlights:

Slim 20" width for an easy fit in small kitchens

Unique gray finish offers a stylish alternative for kitchens on a budget

Sealed Sabaf® burners provide a safer, cleaner cooking experience

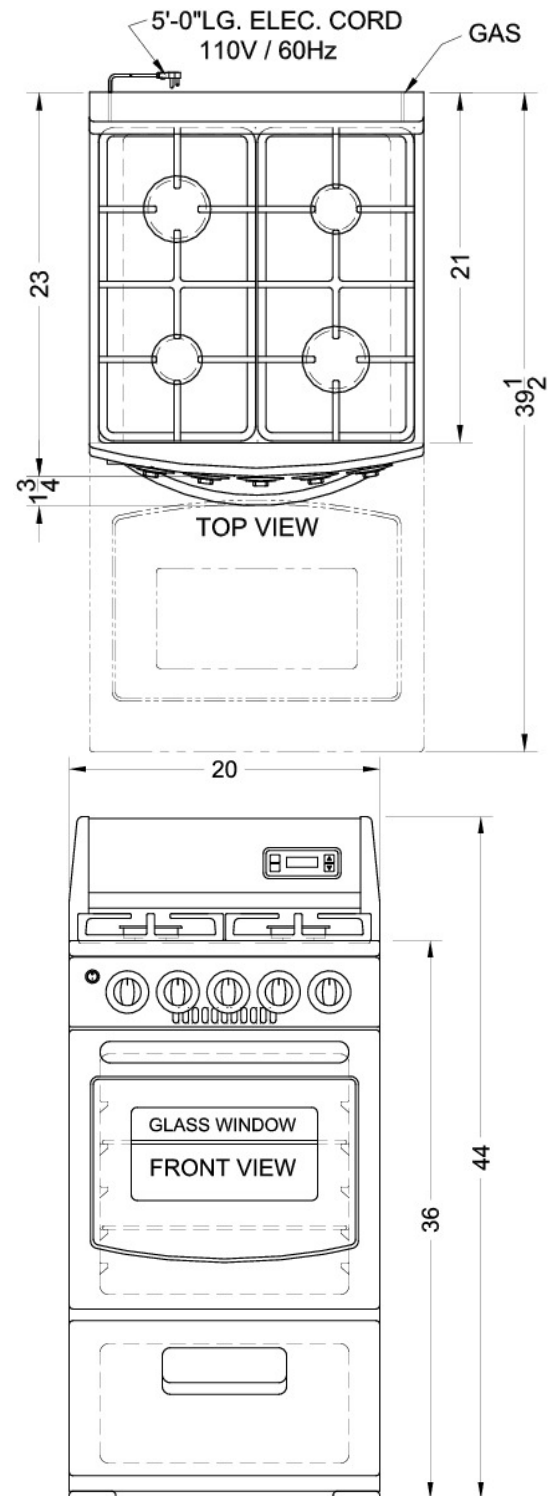
Includes continuous grates in heavy duty cast iron



20" width	Slim fit is ideal for small kitchens, with a generous 2.62 cu.ft. oven capacity
Sealed Sabaf burners	Two 9000 BTU and two 6000 BTU offer safer, cleaner cooking
Cast iron grates	A pair of continuous cast iron grates makes it easy to slide cookware from front to back
Oven window	Black-tinted window for a full view of the interior
Oven light	Interior light lets you monitor your cooking
Deluxe backguard	High backing prevents stovetop contents from splashing up or boiling over and staining walls
Digital clock and timer	Digital readout makes it easy to keep track of your cooking
Slide-out oven racks	Two racks with four glide positions for flexible cooking
Drop-down broiler compartment	Broil food in a separate bottom section with heat that spreads evenly from the top down
Push-to-turn controls	Safety knobs help prevent accidents from turning on the oven or burners

Specifications:

Height	44.0"
Width	20.0"
Depth	23.0"
Capacity	2.62 cu.ft.
Ext Depth with Handle	24.75"
Shipping Weight	110.0 lbs.
Weight	97.0 lbs.
US Electrical Safety	CSA
Oven Rack Quantity	2
Depth with door at 90°	39.5"
Fuel Type	Spark
Burner Type	Sealed
Number of Burners	4
Burner Temperature Control	Dial
Oven Door Window	true
Oven Temperature Control	Dial
Cooktop Surface	Painted
Oven Cleaning Type	Manual
LP Convertible	true
Backsplash	true
Cooking Timer	true
Interior Oven Light	true
Backsplash Display	true
Parts/Labor Warranty	1 Year



Summit Appliance Division, Felix Storch, Inc.
 770 Garrison Ave • Bronx, NY 10474
 Phone: 718-893-3900 • Fax: 718-842-3093
 Email: info@summitappliance.com