

## SP6DSSTBADA

32.0" x 23.75" x 23.58" (H x W x D)

ADA compliant three-drawer stainless steel refrigerator with automatic defrost for built-in or freestanding use

### Highlights:

32" height fits under lower ADA compliant counters

Convenient 24 inch footprint fits any tight location

Three slide drawers with elegant towel bar handles

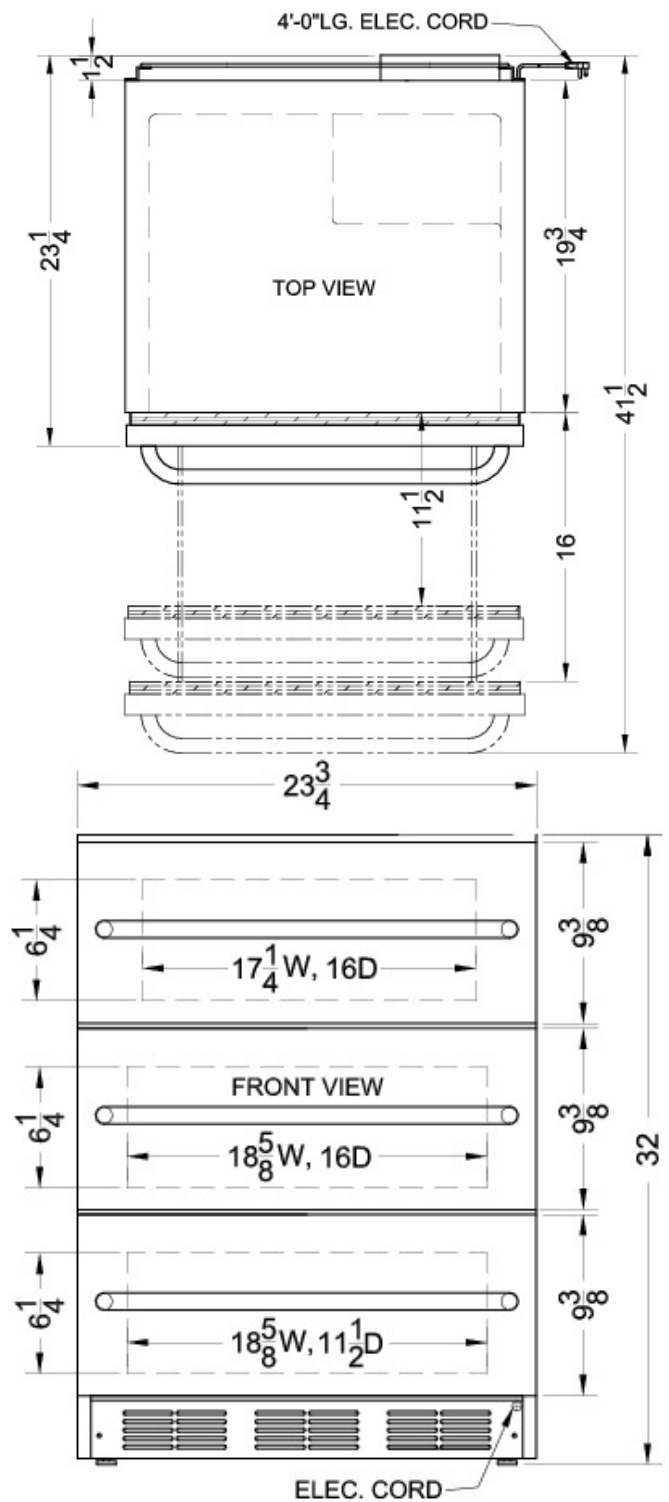
Stainless steel construction adds durable luxury to any setting



ADA compliant	32 inch height fits under standard ADA counters
Built-in capable	Make the best use of space by installing your appliance under the counter and flush with other cabinets
Fully finished cabinet	Allows the refrigerator to be used freestanding
Stainless steel construction	Enhance any room with durable luxury
Slim undercounter dimensions	Less than 24 inches wide to fit tight spaces
Height adjustable	Four large leveling legs let you adjust unit height for the best undercounter fit
Automatic defrost	Reduced maintenance with auto defrost system
Adjustable thermostat	Manage the interior temperature with ease and accuracy
Professional towel bar handles	Curved stainless steel handles add function and elegance, providing more room for a comfortable grip
Spring assisted rollers	Enjoy the gentle gliding motion that helps you open the drawer and keep it firmly closed

## Specifications:

Height	32.0"
Width	23.75"
Depth	23.58"
Capacity	5.4 cu.ft.
Ext Depth with Handle	24.63"
Interior Height 1	27.75"
Interior Width 1	20.0"
Interior Depth 1	17.5"
Comp Step Height	7.0"
Comp Step Width	20.0"
Comp Step Depth	6.0"
Shipping Weight	140.0 lbs.
US Electrical Safety	UL
Amps	1.3
Canadian Electrical Safety	ULC
Energy Usage/Year	423.0 kWh/year
Drawers	true
Drawer Quantity	3
Defrost Type	Automatic
Depth with door at 90°	40.5"
Thermostat Type	Dial
Fan Type	Interior and Exterior
Freon Oz	1.8
High Side PSI	285.0
Level Legs Quantity	4
Low Side PSI	70.0
Freon Type	R134a
Compressor Warranty	5 Years
Parts/Labor Warranty	1 Year



Summit Appliance Division, Felix Storch, Inc.  
 770 Garrison Ave • Bronx, NY 10474  
 Phone: 718-893-3900 • Fax: 718-842-3093  
 Email: info@summitappliance.com