



Installation instructions for your new

RAK6052 Lateral duct adapter

**Before you begin—Read these instructions completely and carefully.
IMPORTANT—OBSERVE ALL GOVERNING CODES AND ORDINANCES.**

Note to Installer—Be sure to leave these instructions with the Consumer.

Note to Consumer—Keep these instructions with your Owner's Manual for future reference.

Tools Needed

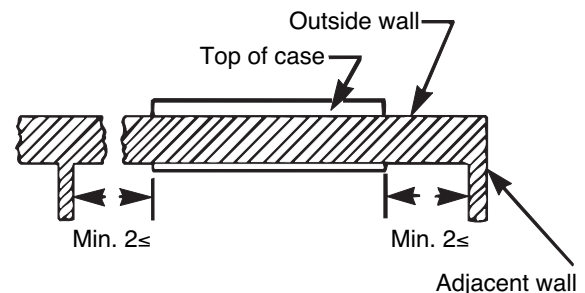
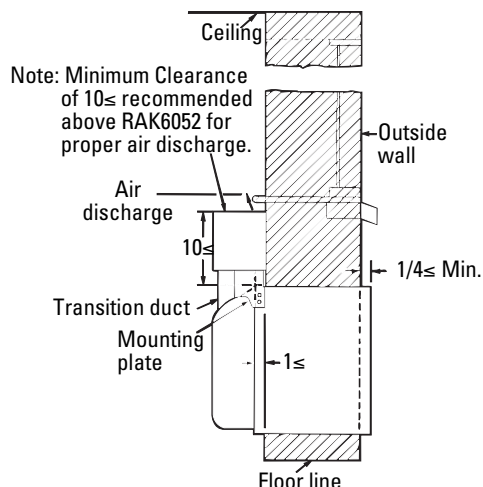
- Blade-type screwdriver
- Metal cutter
- Phillips head screwdriver
- 5/16" Nut driver
- Drill and 7/32" bit

Parts Included

- Lateral duct adapter assembly
- Painted 5/16" hex head screws (4)
- Unpainted slotted screws (4)
- Mounting plates (2)
- Speed clips (4)
- Foam gaskets (2)
- Metal seal strip

STEP 1 Case preparation

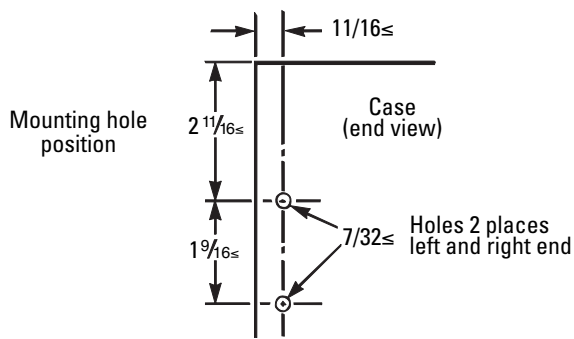
1. The RAK6052 lateral duct adapter is used to modify the Zonline (AZ22 and AZ32 series) so that discharged air may be directed into a secondary room. After the RAK6052 lateral duct adapter is installed on the Zonline chassis and case, a 44" long lateral duct (RAK601) may be attached to either the right or left end of the RAK6052 lateral duct adapter.



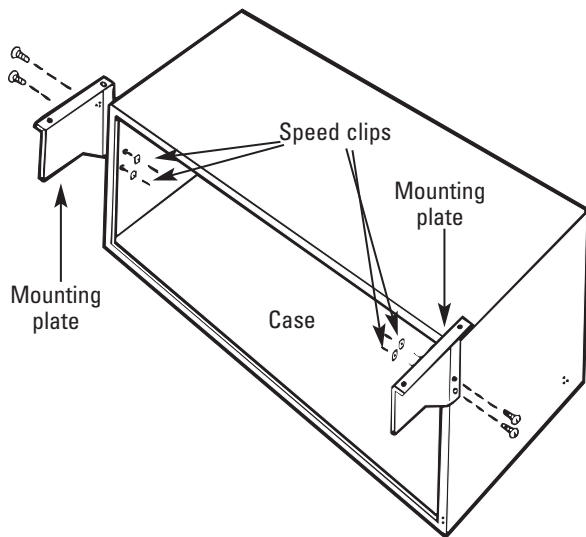
2. The RAB71 or RAB77 case should be installed in the wall according to instructions packed with the case, but using the following recommended dimensions:

- Projection of case into room—1" min. This is critical to allow clearance for mounting plates and screws. If less than 1" of the case projects into the room, it will be necessary to allow for the additional width in the wall opening for the case.
- Projection of case to outside—1/4" min.
- Either side of case to adjacent wall—2" min. The case must be level, not tilted towards outside or inside. Be sure that drapes, window sill overhang, etc. will not interfere with air discharge from the completed lateral duct adapter.
- Non-obstructed wall surface above top of lateral duct adapter—10" min.

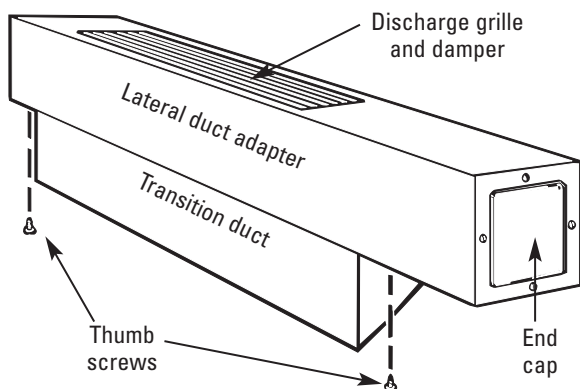
STEP 1 (continued)



3. Drill two 7/32" dia. holes into each end of the case for attachment of the mounting plates. A template is provided in these instructions. Mounting plates should be mounted before installing the case in the wall opening.
4. Attach the mounting plates to the case with four unpainted slotted screws provided. Secure on the inside of the case with speed clips provided.



5. If necessary, transfer end cap to the opposite end of the adapter. The end cap is attached to the end NOT used for attaching extension duct RAK601.

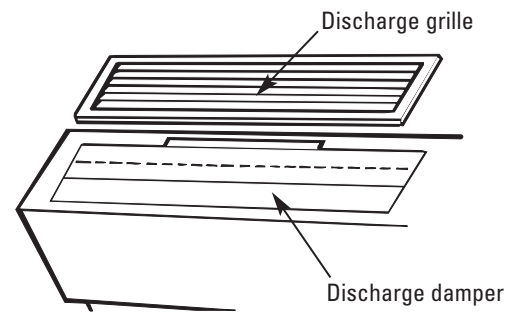


6. Separate the transition duct from the lateral duct adapter by removing the two thumb screws. Carefully slide the transition duct forward and off of the lateral duct adapter.

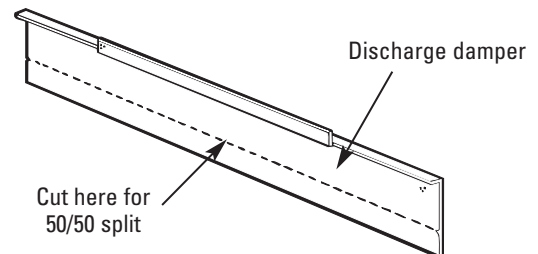
STEP 2

Adjust the discharge grille or damper

1. Check louvered discharge grille section. Louvers should point away from the wall and toward the room. If necessary, remove this grille section and turn 180°; reassemble.

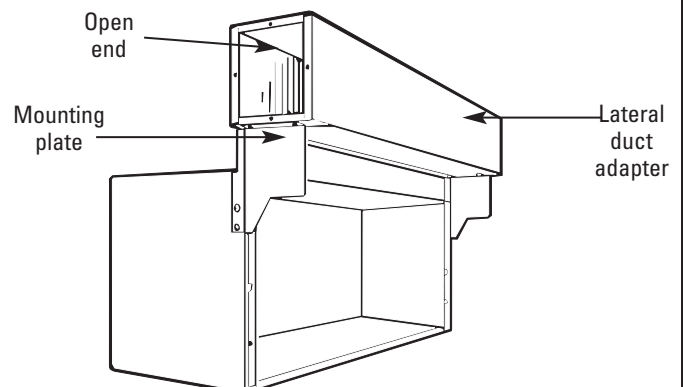


2. The air discharge damper on top of the lateral duct adapter can be changed for primary and secondary room air distribution.



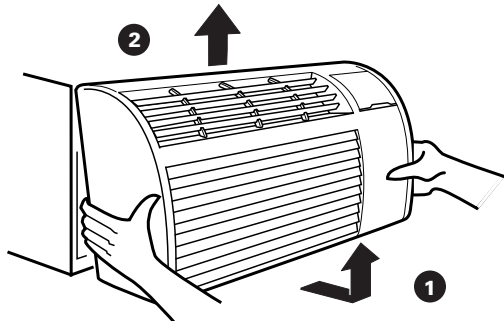
NOTE: The discharge damper is factory installed to provide approximately 35% air discharge into the primary room (room in which the unit is installed) and 65% into the secondary (adjacent) room. To increase the amount of air discharged into the primary room, the damper may be modified by removing the discharge grille on top of the adapter and cutting off the scored section of damper to provide approximately a 50/50 split. Completely removing the discharge damper will result in approximately 75% air discharge into the primary room and 25% into the secondary room.

3. Attach the duct adapter to the case mounting plates with the four painted 5/16" hex head screws provided.

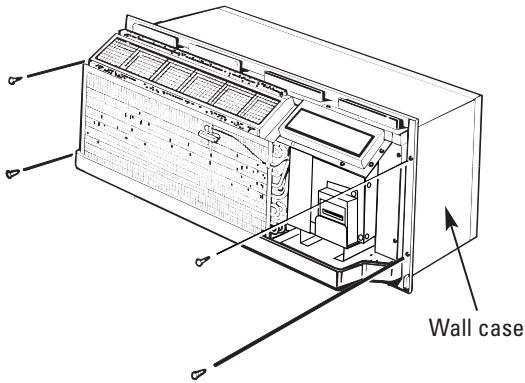


STEP 3
Chassis modification and installation

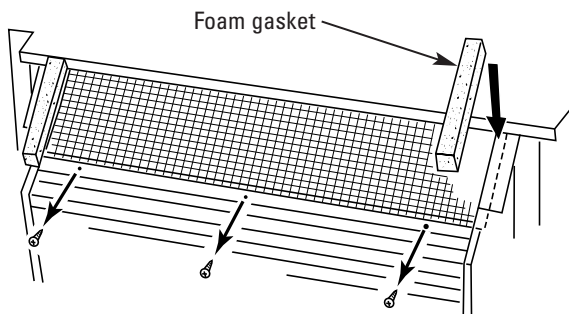
1. Remove the room cabinet front by pulling out at the bottom to release it. Lift it up to clear the rail along the chassis top.



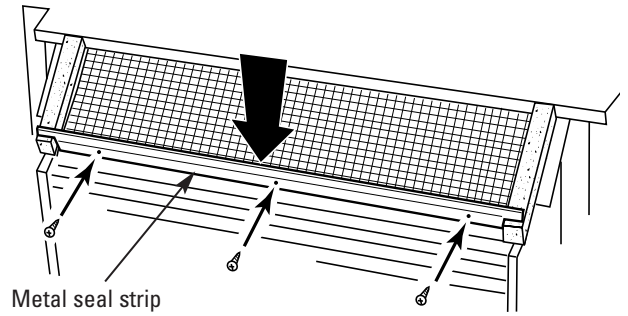
2. Slide the chassis into the case and secure with the four screws through the chassis flange holes.



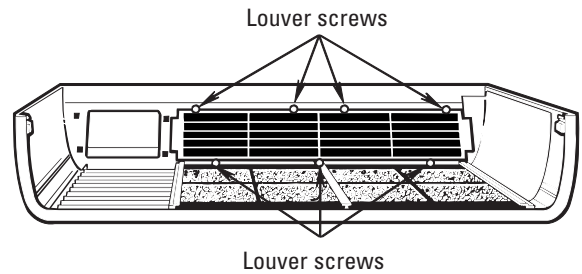
3. Test fit seals as described below before removing paper backing.
4. Remove paper backing from each seal and place as shown. Seal at right side should be located towards left side of metal flange. It should be flush with the top rear and extend over the lower edge of flange. Seal at left side should be located towards the right side of the metal flange. It should be flush with the top rear and extend over the lower edge of flange (as shown in illustration). Be sure both seals are pressed into place on the metal flanges (seals should be as close as possible to screen without overlapping onto it).



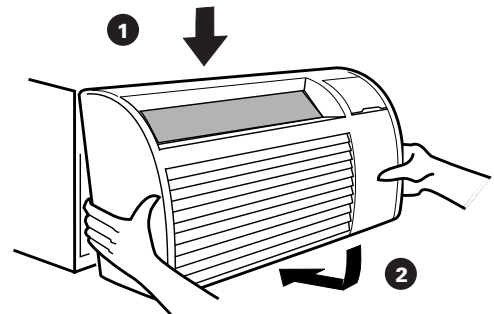
5. Remove and save the three screws holding the front of the air discharge screen in place. Align the metal seal strip in place as shown and secure with the three screws. Center the strip and snug the screws.



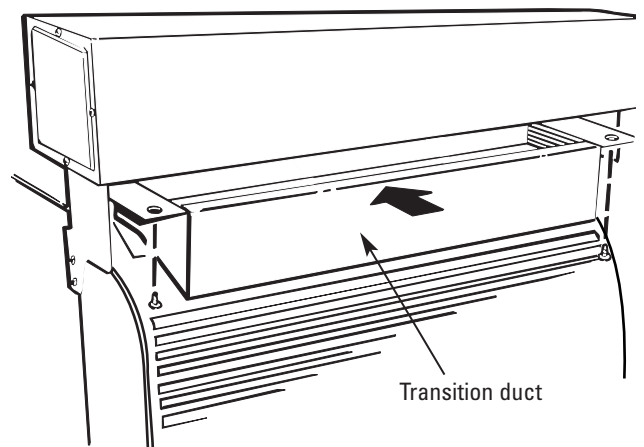
6. Remove the seven screws that hold the louver section in place and remove it.



7. Reconnect power and check operation.
8. Reinstall the room cabinet front by hooking the top over the rail along the chassis top. Push it in at the bottom.



9. Slide the transition duct into place under the adapter and secure it with the two thumb screws.



STEP 4

Removal of the chassis from the case for service

NOTE: If it becomes necessary to remove the chassis from the case, the following procedure should be performed.

1. Remove the two thumb screws securing the transition duct to the bottom of the duct adapter.
2. Carefully slide the transition duct forward to remove it from the chassis.
3. Remove the room cabinet front.
4. Remove the chassis from the case for service.

