

## IMPORTANT

### Do Not Return This Product To The Store

If you have a problem with this product, please contact the "Summit Customer Satisfaction Center" at (800) 287-8799 or (718)328-8700.  
DATED PROOF OF PURCHASE REQUIRED FOR WARRANTY SERVICE

## IMPORTANT

### Ne pas Réexpédier ce Produit au Magasin

Pour tout problème concernant ce produit, veuillez contacter le service des consommateurs "Summit Customer Satisfaction Center" au (800) 287-8799 or (718)328-8700.  
UNE PREUVE D'ACHAT DATEE EST REQUISE POUR BENEFICIER DE LA GARANTIE.

## IMPORTANTE

### No regrese este producto a la tienda

Si tiene algún problema con este producto, por favor contacte el "Centro de Servicio al Consumidor de Summit" al (800) 287-8799 or (718)328-8700 (Válido solo en E.U.A).  
NECESITA UNA PRUEBA DE COMPRA FECHADA PARA EL SERVICIO DE LA GARANTIA



Made in China  
Fabriqué en Chine  
Hecho en China

Summit Appliance Division  
Felix Storch Inc.  
Bronx, NY 10474

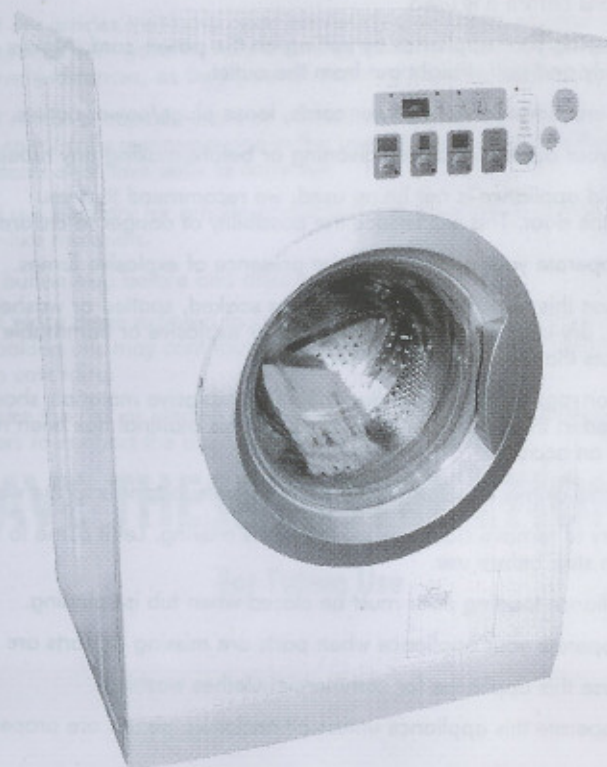
SPWD1470C  
100771 0808

0020506139A

Front Load Clothes Washer & Dryer

Lave-Linge Sechant a Chargement Frontal

Lavadora y Secadora de Carga Frontal



User Manual  
Model # SPWD1470C

Guide de l'Utilisateur  
Modèle # SPWD1470C

Manual del Usuario  
Para Modelo de # SPWD1470C





## IMPORTANT SAFETY INSTRUCTIONS

**Warning— To reduce the risk of fire, electric shock, or injury to persons when using your appliance, follow basic precautions, including the following:**

1. **Read all instructions before using the appliance.**
2. Use this appliance only for its intended purpose as described in this use and care guide.
3. Use only detergents or softeners recommended for use in this appliance and keep them out of the reach of children.
4. This appliance must be properly installed in accordance with the installation instructions before it is used.
5. Never unplug your appliance by pulling on the power cord. Always grasp the plug firmly and pull straight out from the outlet.
6. Replace immediately worn power cords, loose plugs/power outlets.
7. Unplug your appliance before cleaning or before making any repairs.
8. If your old appliance is not being used, we recommend that you remove the door. This will reduce the possibility of danger to children.
9. Do not operate your appliance in the presence of explosive fumes.
10. Do not use this appliance to wash clothes soaked, spotted or washed in gasoline, dry cleaning solvents or any other explosive or flammable substances that could ignite and explode.
11. Clothes or rags used to clean flammable or explosive materials should not be washed in this appliance till all traces of this material has been removed, to avoid an accident.
12. Do not add or mix any flammable or explosive substances to the wash.
13. Do not try to remove clothes while the tub is moving. Let it come to a complete stop before use.
14. The appliance loading door must be closed when tub is spinning.
15. Do not operate your appliance when parts are missing or parts are broken.
16. Do not use this appliance for commercial clothes washing.
17. Do not operate this appliance unless all enclosure panels are properly in place.
18. Do not tamper with controls.
19. To reduce risk of injury do not allow children to play in or on the appliance. Close supervision of children is necessary when the appliance is used near children.
20. This appliance must be connected to proper electrical outlet with the correct electrical supply.
21. Proper grounding must be ensured to reduce the risk of shock and fire. **DO NOT CUT OR REMOVE THE GROUNDING PLUG.** If you do not have a

three-prong electric receptacle outlet in the wall, have a certified electrician install the proper receptacle. The wall receptacle **MUST** be properly grounded.

22. Hydrogen gas may be produced if the water heater has not been used in more than 2 weeks. This could be explosive under certain circumstances. If this is the case, before using this appliance turn on all the hot faucets and let the hot water run for a few minutes. This will let the trapped hydrogen escape. During this process do not turn on an electric appliance, smoke, light a match/lighter or use a flame to avoid an accident, as hydrogen gas is flammable and can explode.
23. Do not dry articles that have been previously cleaned in, washed in, soaked in, or spotted with gasoline, dry-cleaning solvents, or other flammable or explosive substances, as they give off vapors that could ignite or explode.
24. Do not repair or replace any part of the appliance or attempt any servicing unless specifically recommended in the user-repair instructions that you understand and have skills to carry out.
25. Do not use heat dry for articles containing foam rubber or similarly textured rubber-like materials.
26. Clean button trap before and after each load.
27. Do not place items exposed to cooking oils in your dryer. Items contaminated with cooking oils may contribute to a chemical reaction that could cause a load to catch fire.
28. To reduce the risk of electric shock or fire, do not use extension cords or adapters to connect the unit to electrical power source.

## SAVE THESE INSTRUCTIONS

For Future Use



## DANGER

**Risk of child entrapment. Before you throw away your old appliance, take off the door so that children cannot easily get trapped inside.**

Thank you for using our Summit Professional product. This easy-to-use manual will guide you in getting the best use of your washer & dryer combo unit.

Remember to record the model and serial number. They are on a label in back of the washer & dryer combo unit.

\_\_\_\_\_

Model number

\_\_\_\_\_

Serial number

\_\_\_\_\_

Date of purchase

Staple your receipt to your manual. **You will need it to obtain warranty service.**

## Table of Contents

	PAGE
<b>SAFETY INSTRUCTIONS</b> .....	1-3
<b>INSTALLATION INSTRUCTIONS</b> .....	5
Tools and Materials Required .....	5
Unpacking Your Unit .....	6
Connection of Water Inlet Hose and Washing Machine .....	6
Water Drainage Hose .....	7
Connection of Power Supply .....	7
Grounding Instructions .....	7
<b>OPERATING INSTRUCTIONS</b> .....	8
Parts and Features.....	8-9
Control Panel and Functions .....	10-12
Operational Functions .....	13
Program Selection .....	14-15
Washing Methods.....	16
Laundry Loading.....	16
Put Detergent in the Dispenser .....	16
Washing Program Setting .....	16
Additional Info .....	17-18
Tips .....	17
Normal Operating Sounds .....	17
<b>CARE AND CLEANING GUIDE</b> .....	18-19
Cleaning and Maintenance.....	18
Moving and Vacationing and Storage of Your Unit .....	18
Warning Codes .....	19
<b>TROUBLESHOOTING</b> .....	20-22
<b>ELECTRICAL CONNECTIONS</b> .....	23
Grounding Instructions .....	23
Power Interruptions.....	23
<b>Warranty</b> .....	24



## Installation Instructions

### **⚠ WARNING — Risk of Fire**

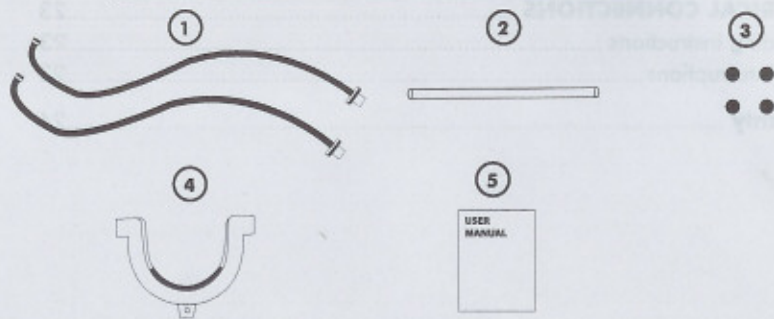
- Clothes dryer installation must be performed by a qualified installer.
- Install the clothes dryer according to the manufacturer's instructions and local codes.
- To reduce the risk of severe injury or death, follow all installation instructions.
- Save these instructions.

### Tools and Materials Required

You will need to have following tools to help you in the installation of your Washer:

- Scissors
- Phillips Screwdriver
- Standard Screwdriver
- Pliers
- Wrench
- Tape Measure
- Gloves
- Level

Accessories Supplied	Quantity
1. Hot & Cold water inlet hoses	2
2. Drain Hose	1
3. Flat Water Inlet Hose Washers	4
4. Drain holder	1
5. User Manual	1



## Installation

### Unpacking Your Unit

**Warning:** To reduce the risk of fire, this appliance must be fastened or otherwise secured to an uncovered floor.

- Remove all the packing materials (including the foam base). It is normal that there are some water drops on the plastic bag, the cushion and the porthole. It is because of the water testing before leaving the factory.
- Remove the packing screws

The packing bolts protect the appliance from impact damage during transportation. Follow the steps below before using the appliance.

1. Remove the rear panel of the washing machine.
2. Remove the three packing bolts from the rear panel of the washing machine, the rubber hose and then the shock absorption steel channel.
3. Refit the back plate.
4. Fill the left holes by the packing bolts with plastic plugs.

**Attention:** The packing bolts and rubber hose should be kept in a safe place for later use.

There is a plastic jacket packing the door catch. Please remove it when you unpack the machine. Do not let children touch.

- Adjusting the position of the washing machine:

The washing machine is provided with adjustable feet. Before use, adjust the feet until the appliance is leveled.

### Connection of water inlet hose and washing machine (Use new hose-set, old hose-set should not be reused.)

- Connect the straight terminal of the inlet hose to the water tap and make sure that it is fastened.
- Connect the bended terminal of the inlet hose to the solenoid valve and make sure it is fastened.
- Be sure that the COLD inlet hose is connected with the solenoid valve for cold water (marked with "C"), the HOT inlet hose is connected with the solenoid valve for hot water (marked with "H").
- For easy recognition, Red line refers HOT inlet hose.



## Water drainage hose

- The height of the terminal for the water drainage hose should be between 31"-40". The water drainage hose must be securely placed to the clip of the washing machine.
- Use the water drainage support supplied as an accessory for proper installation of the water drainage hose. Fix the water drainage hose support with waterproof string. The water drainage hose should not be extended more than 98" (longer extension will result in concurrent water inflow and outflow). The diameter of the extension hose should be the same as the original hose.

**Caution:** Water drainage hose must not be immersed in water. The original and extension hoses should be tightly connected.

## Connection of power supply

Check the following items before connecting to the power supply.

- The socket conforms to the maximum power load (The maximum current load of the socket and power supply cable should not be less than 15A).
- Power supply voltage conforms to the required value (120V/60Hz).
- The power supply socket and the plug of the washing machine are compatible. If they are not compatible, refer to a washing machine technician or a designated service point for power cable replacement.
- USE SUPPLY CONDUCTORS RATED 105 °C (221 °F).

## Grounding instructions

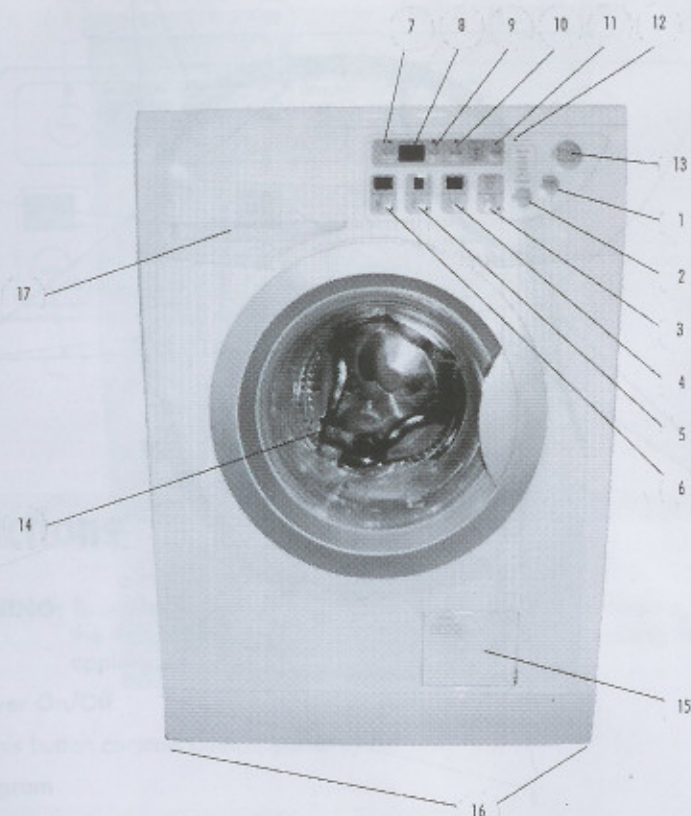
- This appliance must be grounded. In the event of malfunction or breakdown, grounding will reduce the risk of electric shock by providing a path of least resistance for electric current. This appliance is equipped with a cord having an equipped-ground conductor and a ground plug. The plug must be plugged into an appropriate outlet that is properly installed with accordance to local codes and regulations.

**WARNING:** Improper connection of the equipped-ground conductor can result in a risk of electric shock. Check with a qualified electrician or serviceman if you are in doubt as to whether the appliance is properly grounded. Do not modify the plug provided with the appliance.

**WARNING:** Certain internal parts are intentionally not grounded and may present a risk of electric shock only during servicing. Service Personnel—Do not contact the following parts while the appliance is energized: electromagnetic valve, computer board, door lock, drain pump, drying motor, capacity bracket assembly, etc...

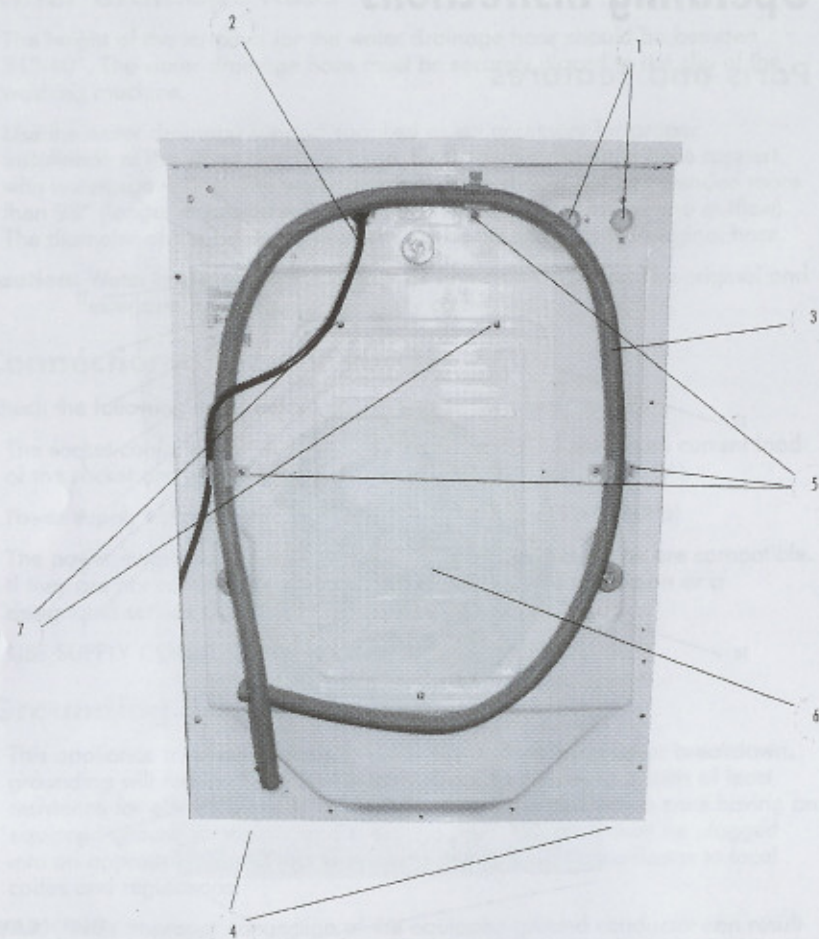
# Operating Instructions

## Parts and Features



- |                                 |                                   |
|---------------------------------|-----------------------------------|
| 1. On/Off Button                | 10. Prewash Function Button       |
| 2. Program Button               | 11. Water Level Selection Button  |
| 3. Dry Cycle Selection Button   | 12. Door Lock Indicator           |
| 4. Spin Cycle Selection Button  | 13. Start/Pause Button            |
| 5. Load Rinse Selection Button  | 14. See Through Glass Window Door |
| 6. Wash Cycle Selection Button  | 15. Button Trap                   |
| 7. Delay Button                 | 16. Front Adjustable Legs         |
| 8. Remaining Time Display       | 17. Detergent/Softener            |
| 9. Temperature Selection Button |                                   |

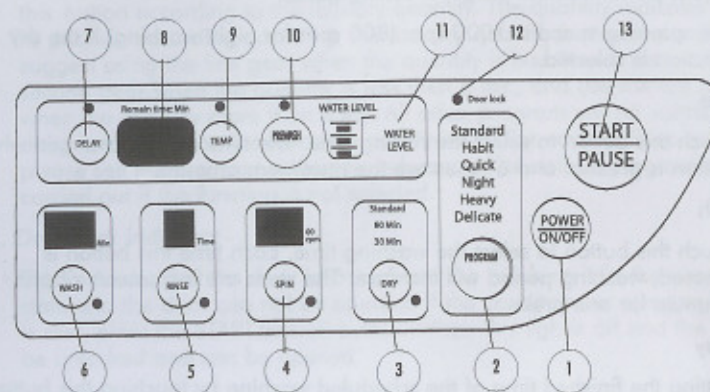




1. Water Inlets (Hot/Cold)
2. Power Supply  
(120V/60Hz, 15 Amps)
3. Drain Hose
4. Rear Adjustable Leveling Legs

5. Drainage Hose Clips (3)
6. Back Plate
7. Back Plate Screws (3)

## Control Panel



## Functions

**WARNING:** To reduce the risk of fire, electric shock, or injury to persons, read the **IMPORTANT SAFETY INSTRUCTIONS** before operating this appliance.

### 1. Power On/Off

- This button controls On/Off power of the unit.

### 2. Program

- Touch this button and you can select the washing programs as you wish from top to bottom in proper order. The backlight is bright while the program is selected. The machine will carry out the standard program if there is no program to be selected.

**Attention:** The machine has the memory function for "Custom" program.

### 3. Dry

- The sequence of dry program follows each time the button is selected after the washing program is set:
  - Whole auto dry program.
  - The standard program for the individual dry.
  - At this moment you can select either 60 min or 30 min program.
  - You can not select dry function while you have already selected the heavy or delicate program.



**Attention:** The maximum quantity of the laundry is 6 lbs. if the dry function is selected.

#### 4. Spin

- The different spinning speeds can be selected by touching this button. For details please see the program setting guide.
- The spinning speed is 1000 rpm (800 rpm for night washing) if the dry function is selected.

#### 5. Rinse

- Touch this button to select the rinsing time. The time can be changed when button is pressed and 6 times are the maximum amount.

#### 6. Wash

- Touch this button to select the washing time. Each time this button is pressed, washing period will increase. The steps are increments of one minute for one press.

#### 7. Delay

- Setting the finished time of the scheduled washing by touching this button. The defaulted time for the scheduled washing is 9 hour. The washing time can be increased one hour by one touching of the button. If the button is pressed and held the time can be varied from 1 to 24 hours till the button is released. If the START/PAUSE button is pressed the current setting is confirmed after the scheduled washing program is ready.
- If the time for the washing program is longer than the time of the scheduled washing then the program will work immediately after the START button is pressed.

**Attention:** There is some difference between the setting time and actual time because of the water temperature, water pressure and the distribution of the laundry in the tube. There is no scheduled washing function for "Delicate" program.

#### 8. Remaining time: Min (Digital display screen)

- This display is used for providing washing time to the user. It can display the setting time of scheduled washing and heating temperature. The screen displays only the hour if the time setting is over 10 hours.

#### 9. Temp (Children lock)

- Touch this button to set washing cycle with cold or hot water. The digital display screen shows "W", "H", "C". The default value is "W".

W-hot and cold water; H-hot water; C-cold water.

- Lock buttons on the control panel, including the Power button, by pressing this button for 3 seconds. These can be unlocked if the button is pressed for another 3 seconds.

#### 10. Prewash

- The prewash function can be added into the washing program.

#### 11. Water level

- The related time and water level in the drum can be selected by pressing this button according to the laundry quantity. The quantity indicator changes its position according each time the laundry quantity button is pressed. We suggest using the first gear when the quantity is less than 2 lbs.; use the second gear when the quantity is less than 6 lbs., and use the last gear when the quantity more than 6 lbs. All other program setting indicate the default values when the laundry quantity is set. For each settings range please see the program setting for reference. The default program will be carried out if the function is not selected.

#### 12. Door lock indicator

- This indicates that the door is locked and the machine is in the operation state and the door can not be opened. If the condition for opening the door is met, press the START/PAUSE button. When this light is off and the door will be unlocked and can be opened.

#### 13. Start/Pause

- The set program is carried out while this button is pressed. To pause the current program, just press this button and the program will not operate at the moment. Press this button again if you want to resume the operation.

#### 14. See Through Glass Window Door

- Physical part that allows user to see what is happening inside.

#### 15. Button Trap

- Physical part that collects lints and other small materials.

#### 16. Front Adjustable Legs

- 2 physical parts that can be adjusted in height for user needs.

#### 17. Detergent/Softener Dispenser

- Physical part where user can place detergent or softener.



## Operational Functions

Power supply	<ul style="list-style-type: none"> <li>120V/60Hz/15Ams.</li> </ul>
Water supply	<ul style="list-style-type: none"> <li>Turn on the tap and ensure that the water is clear.</li> </ul> <p><b>Caution:</b> Before starting the washing machine turn on the water faucet to ensure that the water faucet and the water inlet hose are connected and do not leak.</p>
Detergent selection	<ul style="list-style-type: none"> <li>The washing result depends on the quality of the detergent except the function performances of the washing machine. There are many brands of detergent in the market. For the best washing result, we suggest you use the special detergent that produced for the auto drum washing machines.</li> <li>For washing wool and the chemical fiber please use special detergent. Do not use dryclean dissolvent.</li> </ul> <p><b>Attention:</b> Put only enough detergent for one load of laundry into cartridge at a time.</p>
Laundry treatment	<ul style="list-style-type: none"> <li>Sort out clothes according to type and extent of dirt. There are three types of clothes: cotton, synthetical and woolen (silk) fabrics.</li> <li>Separate white clothes from colors.</li> <li>Remove all objects from pockets that may cause damage to the machine, such as keys and coins.</li> <li>Repair damaged clothing, loose buttons or damaged zippers before washing.</li> <li>Bed sheets and table cloths should be loosely loaded and not folded.</li> <li>This washing machine is for household use and designed to mechanically wash clothes.</li> </ul>

Type	Non-Fade Cottons	Delicate	Woolen	Blending fabrics
Max Load	11 lbs.	4.4 lbs.	2.2 lbs.	5.5 lbs.

## Program Selection

Program	Option	Suitable condition	Hot water temperature (max) °C	Program and washing time			
				Wash (min)		Rinse (min)	
				Default	Range	Default	Range
Prewash	N/A	dirty cloth	N/A	add 12 minutes was washing	N/A	N/A	N/A
Standard	wash/rinse/spin	ordinary clothes	90	25	5-60	3	0-6
	wash/rinse/spin/dry	washing	90	21	5-60	2	0-6
	wash/rinse/spin/dry		90	17	5-60	2	0-6
Custom	wash/rinse/spin	self de ned washing program according to the habit of the operator	90	25	5-60	3	0-6
	wash/rinse/spin/dry		90	21	5-60	2	0-6
	wash/rinse/spin/dry		90	17	5-60	2	0-6
Quick	wash/rinse/spin	for not very dirty clothes	60	8	5-60	2	0-6
	wash/rinse/spin/dry		60	6	5-60	2	0-6
	wash/rinse/spin/dry		60	5	5-60	2	0-6
Night	wash/rinse/spin	for night washing	60	25	5-53	3	0-6
	wash/rinse/spin/dry		60	20	5-53	3	0-6
	wash/rinse/spin/dry		60	15	5-53	3	0-6
Heavy	wash/rinse/spin	for thick or heavy clothes	30	40	5-60	3	0-6
Delicate	wash/rinse/spin	cashmere and wool fabrics	N/A	6	1-15	2	0-6
Standard	dry	dry the ordinary laundries	N/A	120	N/A	N/A	N/A
60 min	dry	dry the ordinary laundries	N/A	60	N/A	N/A	N/A
30 min	dry	anti-virus process for dried laundry	N/A	30	N/A	N/A	N/A



Program and washing time						Methods for using detergent		
Spin (rpm)		Temp (selecting hot/cold water)		Total time (min)		Partition 1	Partition 2	Partition 3
Default	Range	Default	Range	Default	Range			
/	/	/	/	/	/	★	★	○
800	0-600-800/1000	W	C/H/W	56	7-130	☆	★	○
1000	0-600-800/1000	W	C/H/W	168	7-251	☆	★	○
1000	0-600-800/1000	W	C/H/W	103	7-190	☆	★	○
800	0-600-800/1000	W	C/H/W	59	7-130	☆	★	○
1000	0-600-800/1000	W	C/H/W	168	7-251	☆	★	○
1000	0-600-800/1000	W	C/H/W	103	7-190	☆	★	○
800	0-600-800/1000	W	C/H/W	32	7-128	☆	★	○
1000	0-600-800/1000	W	C/H/W	151	7-249	☆	★	○
1000	0-600-800/1000	W	C/H/W	89	7-188	☆	★	○
800	0-600-800	W	C/H/W	67	7-137	☆	★	○
800	0-600-800	W	C/H/W	184	7-259	☆	★	○
800	0-600-800	W	C/H/W	118	7-198	☆	★	○
600	0-600	W	C/H/W	77	7-139	☆	★	○
600	0-600	C	C/H/W	29	3-82	☆	★	○
/	/	/	/	120	120	☆	☆	☆
/	/	/	/	60	60	☆	☆	☆
/	/	/	/	30	30	☆	☆	☆

## Washing Methods

### Laundry Loading

Evenly load the laundry in the washing machine and then tightly close the door of the unit.

- Note:** 1. When first using the washing machine, let it run unloaded for one program to prevent the laundry from being stained by oil or dirty water from the washing machine.  
2. Do not overload the washing machine.

### Put detergent in the dispenser

There are three partitions in the detergent.

Partition 1: It is used for the prewash function.

Partition 2: Put the detergent in this partition no matter whether the prewash function is selected or not.

Partition 3: Put the softening agent in this partition if the laundry has gone through the softening process.

- Caution:** 1. Do not add liquid detergent into partition 1 and 2.  
2. For prewashing program, detergent should be added to both partition 1 and 2; for other programs, do not add detergent to partition 1.  
3. Do not overuse softening agent as this may damage artificial fabrics.

### Washing program setting

Set the washing program correctly in accordance with the laundry load. First connect the mains and select the power on/off button. The machine will work on the default standard program. Select the program selection button for the required washing program.

The above operation should be under the condition of no power down. The machine will continue its previous program since the machine has the memory function after the power down. The memory function can be canceled by turning off the power and restart it.

### Store your clothes in Care Fresh cabinet

- This appliance will be stored at room temperature.
- If you use the appliance at the temperature which outside temperature is below freezing, do not connect the power supply line without the power supply.
- Do not connect the appliance to the power supply when outside temperature is below freezing.



## Additional Information

**WARNING:** To reduce the risk of fire, do not dry items containing foam rubber or similarly textured rubber-like materials.

### Tips

- Adding the softener agent can help the laundry to get rid of the static electricity and make the clothes feel soft and easy to iron.
- The following list shows drying time for the different quantity and kinds of laundry. You can select the expected drying program in accordance with the quantity of the drying load. The selected program will be over when the drying process is finished.

Weight of laundry (lb.)	Time for drying	Remain time (min)	Drying degree
0-2	Standard	59	Dried
2-6		120	Dried
0-2	60 min	60	Dried
2-6			For ironing
0-6	30 min	30	Dry and anti-bacterium Program

### Normal Operating Sounds

The following sounds are normally heard during the operation of the washer:

- **Tumbling sounds:** this is normal as the heavy wet clothes in the washer are continuously being tossed around.
- **Air rushing noise:** This happens when the washer tub spins at very high RPM.
- Wash and Rinse cycles going on and off will also make clicking sounds.

## Care and Cleaning Guide

**Warning:** Always unplug your appliance to avoid electric shock before cleaning. Ignoring this warning may result in death or injury. Before using cleaning products, always read and follow manufacturer's instructions and warnings to avoid personal injury or product damage.

### Cleaning and Maintenance

Use only damp cloth for cleaning control panel.

- To avoid any kind of damage to cabinet finish, wipe appliance cabinet as needed. If you spill liquid softener, bleach or detergent on the cabinet, wipe cabinet immediately because it can damage the finish.
- Do not use any abrasive, harsh chemicals, ammonia, chlorine bleach, concentrated detergent or solvents. Some of these chemicals may dissolve, damage and/or discolor your appliance.
- Remove pins or other sharp objects from clothes to prevent scratching interior parts.
- We suggest that you check the button trap no more than twice a year. Do not use washer without button trap in its place.
- The Detergent Dispenser Compartment has a removable option. Over time, this compartment may accumulate dried detergent, dirt and debris. You must remove the dispenser, then rinse it in a sink to remove dirt if present.

### Moving & Vacationing

- Turn off water supply faucets and disconnect hoses. Drain water from all hoses. This will prevent damage due to water leakage if the hoses accidentally get ruptured or they become loose.
- Disconnect electrical plug.
- Dry inner wash tub. If moving washer, disconnect drain hose.
- Turn the leveling legs clockwise all the way in.
- Reinstall both shipping bolts and metal brackets in the back to prevent internal part from shaking when appliance is moving to another location.
- To prevent mold leave door open so moisture inside machine can evaporate.

### Storage of Your Appliance in Cold Environment

- This appliance must be stored at room temperature.
- If you just got delivery of this appliance when outside temperature is below freezing, do not operate until this appliance has warmed to room temperature.
- Do not install or operate this appliance in the area where room temperature is below freezing.



## Warning Code

Warning code	Item of concern	Content of identification	Action to take	Checking position and ask for help
E11	Water supply	The water level can not reach the reset water level within 5 minutes	Warning and stop running	Check if the water pressure or water supply is low
	Drainage	The water level can not reach the setting water level within 8 minutes	Warning and stop running	Check if the water pressure is low or stops supplying
E12	Drainage	The water level can not reach the reset level in 8 minutes after drainage starting	Warning and stop running	Check the water outlet of the drainage, adjust it and restart the machine
E13	Water supply	The water is above the warning level	Warning and stop running	Ask the technician to repair it
E31	Motor	The feedback signal does not change in 8 minutes during the motor runs	Warning and stop running	Ask the technician to repair it
EA3	Water level is abnormal in the drying process	The water setting level during the drying process	Warning and stop running	Check the water outlet of the drainage required and adjust it if required and restart the machine
EC4	The temperature of air vent	Within 30 minutes of dry cycle there is 5 minutes in which the temperature is not increasing	Warning and stop running	Ask the technician to repair it
EC5	The dry temperature sensor	The drying sensor circuit short or open	Warning and stop running	Ask the technician to repair it
U01	Door is locked	Can not unlock	Warning and stop running	Ask the technician to repair it
U02	Door is not locked	Can not lock the door	Warning and stop running	Ask the technician to repair it
U03	Spin lopsidely	The judgement of un-balance is above 1000g	Spin at low speed and cancel drying	Ask the technician to repair it
U04	The door is opened	The door is opened	Warning	Close the door
E22	The memory function has failed	EEPROM is not functioning	Warning	Ask the technician to repair it

## Troubleshooting

### Washer does not operate:

- Check if unit is plugged in. The plug may have come loose.
- Check if the electrical wall receptacle has proper voltage.
- Check if the circuit breaker needs to be reset or if the fuse needs to be replaced.
- Check if the unit is in "Off" mode.
- Check if the washer is overloaded: load may need to be re-balanced and clothes may need to be redistributed.
- Check if the door is open. You may have to close the door properly.

### Problems with water:

- Not enough water coming out: Water faucet may need to be turned on fully. Water hoses may be tangled up or wrinkled up. Straighten up hoses. Check water level selection, it may need to be readjusted.
- Water Temperature is incorrect: Check your water heater temperature. Hot water needs to be at a temperature at least 120°F–140°F (49°C– 60°C). Check to make sure the inlet hoses are properly connected. (e.g. hot to hot & cold to cold)
- Water leaks: This is due to not improperly installed drain hose or fill hoses. Your home drain may be clogged. You may need to tighten hoses, check the plumbing or call a plumber for service.
- Water pumped out before the cycle is completed: It happens if you open the door in the middle of cycle.
- Water will not drain: This may be because drain hose was not installed properly. Check the position of the drain hose. In order to drain properly, make sure that top of drain outlet is less than 4 ft. (1.2 m) above the floor.



**Washer is making noise:**

- Washer may need to be reinstalled. (Check washer installation section)
- Washer load may need to be re-balanced, as the load may be uneven.
- Coins, loose change, buttons or other heavy objects could make noise (read Operating Guide-Normal Operating Sounds).
- Squealing Sound: Due to overloaded wash tub.
- Vibration Noise: Due to not leveling washer properly on the floor and uneven distribution of clothes in the tub.

**Problems with clothes:**

- Clothes are too wrinkled: this is due to improper sorting, overloading and washing in too hot water repeatedly. Avoid overloading and resort your load. Do not mix heavy clothes such as work clothes with light clothes such as blouses, light shirts and delicate items. You may need to wash them in warm or cold water.
- Have soap residue: detergent may not be dissolving in water. Check water temperature or you need to add detergent as wash tub is being filled with water before you load your clothes to avoid soap residue on the clothes.
- Spots or stains on your clothes: this is due to incorrect use of fabric softener. You may need to read proper instructions on the container and follow proper directions for using the softener.
- Clothes are grayed or yellowed: this is due to not pouring enough detergent for large loads. You may have to add more detergent to the load.
- Clothes are ripped & have holes/excessive wear & tear: this is due to sharp objects such as pins and belt buckles left in pockets. You will need to remove small loose sharp objects. Fasten belts, zippers, metal snaps etc. Check if you are using undiluted bleach. Never add undiluted bleach to wash.

**Dryer does not operate:**

- Check if unit is unplugged. The plug may have come loose.
- Check if the circuit breaker needs to be reset or if the fuse needs to be replaced.
- Check if the unit is in "OFF" mode. Press the "ON" button again.
- Check if the door is open.

**Summit Limited Warranty****Dryer is working but not drying the clothes:**

- Unit may be over loaded. The dryer drum should only be half full.
- Check if button trap is clean and dust free.
- Dryer load needs to be resorted. Heavy clothes may need to be separated from regular clothes.
- Bulky clothes may require repositioning.
- If clothes dry unevenly, a higher dry setting may be required or clothes in the dryer may need to be resorted.

**Dryer making noise when drying:**

- Coins, loose change, buttons and other heavy objects could make noise.
- Dryer may need to be leveled evenly. Read Operating Guide-Normal Operating Sounds.

**Static:**

- Caused by over drying. Adjust for shorter drying time.
- Mix with synthetic fabric. Sort and separate different fabrics.
- Use a fabric softener.



## Electrical Connections

### Grounding Instructions

This appliance must be grounded. In the event of an electrical short circuit, proper grounding reduces the risk of electric shock by providing an escape wire for the electric current. This appliance is equipped with a cord having a grounding wire with a grounded plug. The plug must be inserted into an outlet that is properly installed and grounded.

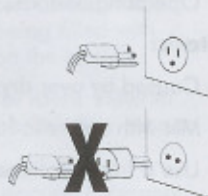


- Improper use of the plug can result in a risk of electric shock.
- Consult a qualified electrician or service person if the grounding instructions are not completely understood or if doubt exists as to whether the appliance is properly grounded.

### Wiring Requirements:

- This appliance must be plugged into at least 15 AMP 115-120 VOLT, 60 HZ GROUNDED OUTLET.

Note: Where a standard two-prong outlet is encountered, it is the personal responsibility and obligation of the consumer to have it replaced with a properly grounded three-prong outlet.



### Extension Cords:

We do not recommend that you use an extension cord.

### Power Interruptions

Occasionally there may be power interruptions due to thunderstorms or other causes. Remove the power cord from AC outlet when a power outage occurs. When power has been restored re-plug power cord to AC outlet.

## Summit Limited Warranty

Summit Appliances warrants this product to be free from defects in materials and workmanship for a period of one year from the date of original purchase or delivery with an additional 5 years parts only on the compressor. Any parts determined to be defective will be replaced by SUMMIT at no charge to you. Plastic parts, liners and outer cabinets are warranted to be manufactured to commercially acceptable standards and free from defects at the time of delivery.

This limited warranty does not apply to:

1. Improper installation
2. Customer misuse, negligence or damage
3. Incorrect electrical current
4. Products with the serial number altered or removed
5. Products sold or used outside the fifty United States or the District of Columbia
6. Commercial or Industrial Users
7. Damage to this product from accidents, alterations, failure to follow instructions, fire, floods, earthquakes, war, civil disturbance or Acts of God.

SUMMIT is not liable for consequential or incidental damage.

SUMMIT APPLIANCE DIV.  
FELIX STORCH, INC.  
770 GARRISON AVENUE  
BRONX, NY 10474

(718) 328-8700

### FACTORY REGISTRATION CARD

THANK YOU FOR PURCHASING A QUALITY SUMMIT® APPLIANCE

Summit Model Number	Serial	
Customer's Name	Date of Delivery	
Address	Apt. No.	
City	State	Zip
Dealer's Name	City	State
Is this unit for: <input type="checkbox"/> Private Home <input type="checkbox"/> Apartment <input type="checkbox"/> Office <input type="checkbox"/> Other		
Reasons for selecting this unit: <input type="checkbox"/> Dealer <input type="checkbox"/> Recommendation		
<input type="checkbox"/> Size	<input type="checkbox"/> Price	<input type="checkbox"/> Other