

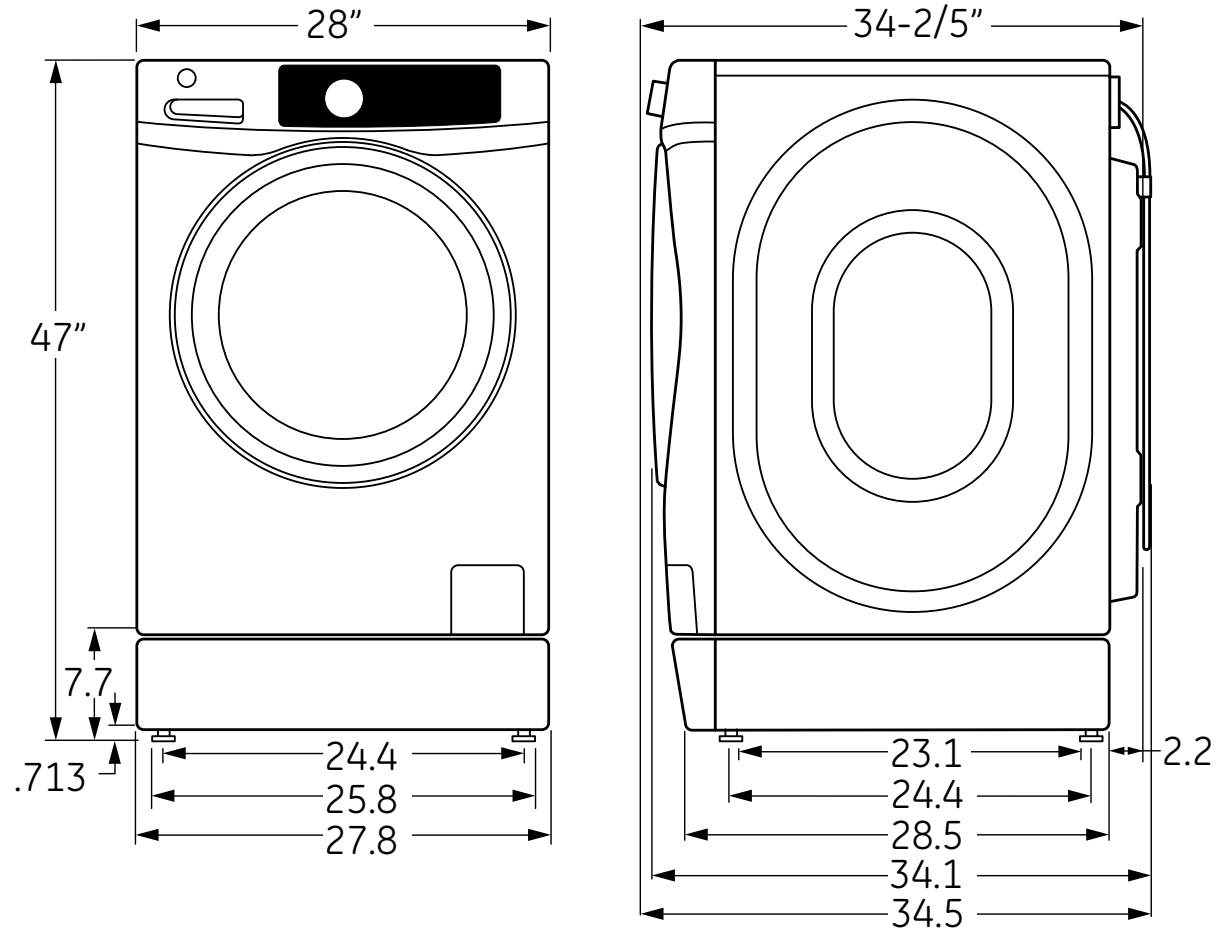
GFWR4800F/4805F

GE® ENERGY STAR® 4.8 DOE cu. ft. capacity RightHeight™ Design Front Load washer

Dimensions and Installation Information (in inches)

Electric Rating	
120V	60Hz

Installation Information: For complete information, see installation instructions packed with your washer.



imagination at work

For answers to your Monogram® Cafe™ Series or Profile™ Series appliance questions, visit our website at geappliances.com or call GE Answer Center® service, 800.626.2000.



Listed by
Underwriters
Laboratories

Specification Revised 5/13

360500

GFWR4800F/4805F

GE® ENERGY STAR® 4.8 DOE cu. ft. capacity RightHeight™ Design Front Load washer

Special Installation Requirements:

Installation:

- 7" riser is included and the laundry pair can't be stacked

Alcove or Closet Installation:

- If your dryer is approved for installation in an alcove or closet, it will be stated on a label on the dryer back.
- The dryer MUST be exhausted to the outside.
- Minimum clearances between dryer cabinet and adjacent walls or other surfaces are: 0" either side, 3" front and rear
- Minimum vertical space from floor to overhead cabinets, ceilings, etc. is 52".
- Closet doors must be louvered or otherwise ventilated and must contain a minimum of 60 sq. in. of open area equally distributed. If this closet contains both a washer and a dryer, doors must contain a minimum of 120 sq. in. of open area equally distributed.
- No other fuel-burning appliance shall be installed in the same closet with a gas dryer.

Bathroom or Bedroom Installation:

- The dryer MUST be exhausted to the outdoors.
- The installation must conform with the local codes, or in the absence of local codes, with the National Electric Code and National Fuel Gas Code, ANSI Z223.

Minimum Clearance other than Alcove or Closet Installations:

- Minimum clearances to combustible surfaces 0" both sides, 3" rear.

For more information on venting kits and accessories, please call 1-800-GE-CARES.



imagination at work

For answers to your Monogram®, Cafe™ Series or Profile™ Series appliance questions, visit our website at geappliances.com or call GE Answer Center® service, 800.626.2000.



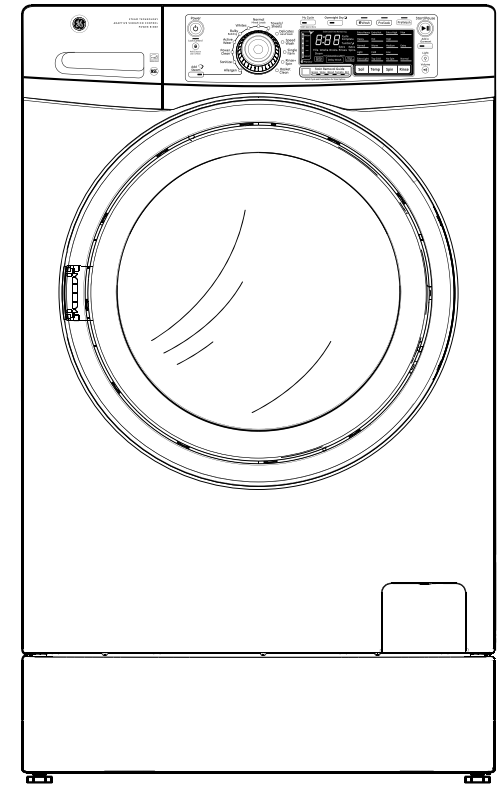
Listed by
Underwriters
Laboratories

GFWR4800F/4805F

GE® ENERGY STAR® 4.8 DOE cu. ft. capacity RightHeight™ Design Front Load washer

Features and Benefits

- Built-in riser - Comfortably load and unload clothes, and use the top as a folding surface, with this factory-installed riser
- Overnight Dry - Laundry couldn't be easier with an option that washes and dries a small load of clothes in 8 hours or less without having to move the load to the dryer
- Stain Removal Guide - Clean 5 of the most common stains with preprogrammed settings that modify any cycle to help remove blood, tomato, wine, dirt and grass
- Steam Assist - Cleans dirty clothes by loosening soils before the wash begins with steam vapor in the washer
- Adaptive Vibration Control - Enjoy more peace and quiet thanks to heavy-duty springs, vibration dampeners and a balance ring infused with counterweight bearings designed to offset out-of-balance loads
- Max Rinse - Enjoy the maximum level of rinsing action with the industry's only third fresh water rinse and spin
- Single Item Cycle - Enjoy the convenience of washing a small load or bulky blanket with this unique cycle that manages out-of-balance loads and saves water, energy and time compared to any other cycle with single item
- Precision Dispense - Great cleaning performance is enhanced with a dispenser that distributes fresh detergent multiple times throughout the wash
- Power Clean - Effectively clean heavily soiled fabrics with this cycle that uses a built-in soak time, extended wash times and more vigorous wash action
- Model GFWR4800FWW - White
- Model GFWR4805FMC - Metallic Carbon
- Model GFWR4805FRR - Ruby Red



imagination at work



Modified Energy Factor (MEF)	3.0
Water Factor (WF)	2.6

