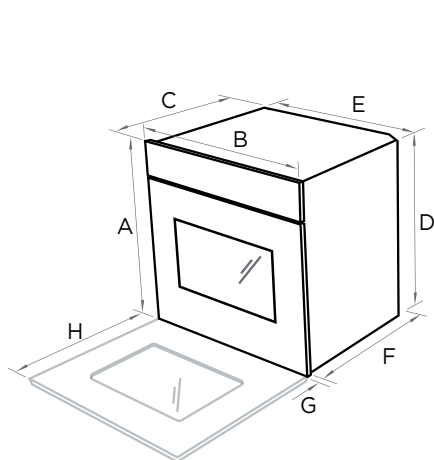
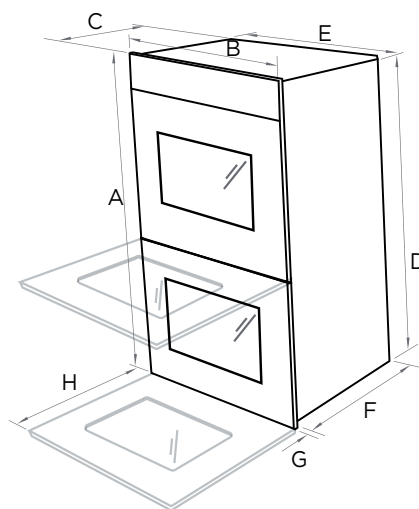


BUILT-IN OVEN DIMENSIONS

OB30SDEPX1, OB30DDEPX1



OB30SDEPX1



OB30DDEPX1

DIMENSIONS INCHES (MM)

	OB30SDEPX1	OB30DDEPX1
A Overall height	27 ¹ / ₁₆ " (688)	48 ⁷ / ₁₆ " (1230)
B Overall width	29 ³ / ₄ " (757)	29 ³ / ₄ " (757)
C Overall depth (without handle)	23 ¹⁵ / ₁₆ " (608)	23 ¹⁵ / ₁₆ " (608)
D Height of chassis	26 ³ / ₄ " (675)	47 ¹⁹ / ₁₆ " (1217)
E Width of chassis	28 ¹ / ₄ " (718)	28 ¹ / ₄ " (718)
F Depth of chassis	22 ⁷ / ₁₆ " (570)	22 ⁷ / ₁₆ " (570)
G Depth of oven frame and control panel (excl. knobs)	1 ¹ / ₂ " (38)	1 ¹ / ₂ " (38)
H Depth of oven door (open) (measured from front of oven frame)	20 ⁷ / ₈ " (530)	20 ⁷ / ₈ " (530)

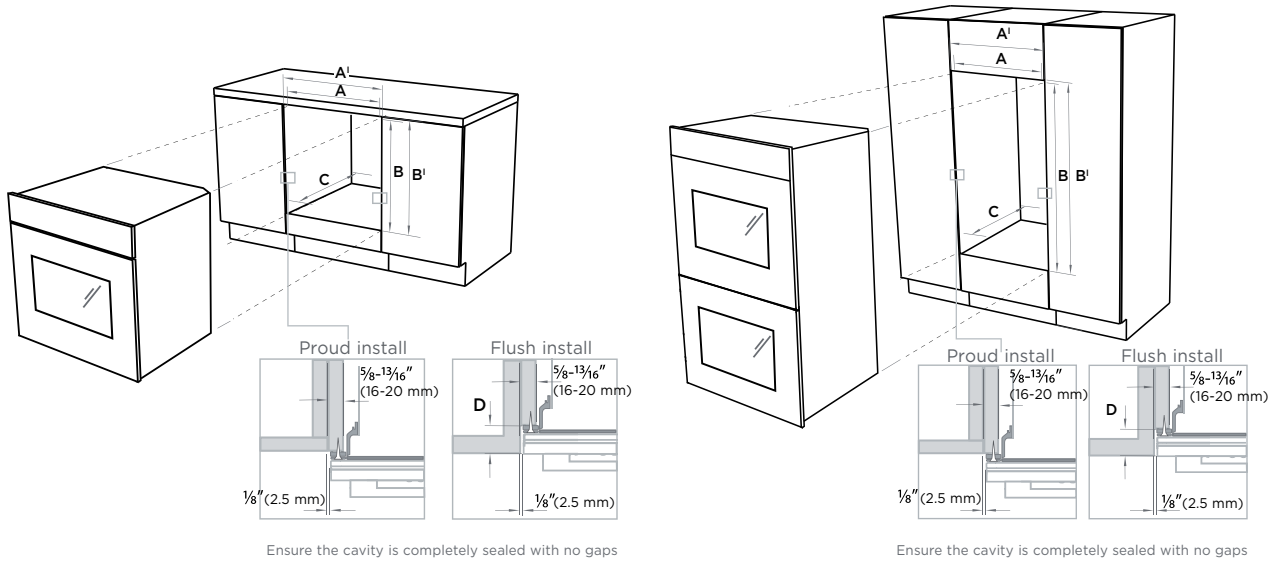
Product dimensions and specifications are listed as a guide only. For complete installation instructions and specifications, refer to the product Use & Care Guide/Installation Instructions available at www.fisherpaykel.com

Fisher & Paykel

fisherpaykel.com
1.888.936.7872

BUILT-IN OVEN CABINET DIMENSIONS

OB30SDEPX1, OB30DDEPX1



DIMENSIONS INCHES (MM)

		OB30SDEPX1	OB30DDEPX1
A	Minimum inside width of cavity	28 1/2" (724)	28 1/2" (724)
A'	Overall width of cabinetry	30" (762)	30" (762)
B	Inside height of cavity	26 13/16" (681)	48 1/8" (1222)
B'	Overall height of cabinetry	27 5/16" (693)	48 5/8" (1235)
C	Minimum inside depth of cavity	Proud install 22 5/8" (575)	22 5/8" (575)
	Note: If installing a cooktop above the single oven, ensure adequate clearance is provided for the cooktop as per the cooktop manufacturer's instructions.	Flush install 24 1/8" (613)	24 1/8" (613)
D	Depth of oven frame and control panel (excl. knobs)	1 1/2" (38)	1 1/2" (38)

Product dimensions and specifications are listed as a guide only. For complete installation instructions and specifications, refer to the product Use & Care Guide/Installation Instructions available at www.fisherpaykel.com

Fisher & Paykel

fisherpaykel.com
1.888.936.7872