
INSTRUCTION MANUAL

EN

GUIDE FOR USING THE DISHWASHER AND THE WASHING PROGRAMS

CONTENTS

1	INTRODUCTION	3
2	DESCRIPTION AND USE OF THE CONTROLS.....	5
2.1	Upper panel	5
2.2	Setting the washing program and switching on and off.....	6
2.2.1	Switching on	9
2.2.2	Selecting and starting the program.....	9
2.2.3	End of program	10
2.2.4	Interrupting a program.....	10
2.2.5	Changing the current program	10
2.2.6	Canceling the current program	11
2.2.7	Options	11
2.2.8	Switching off	13
2.3	Additional features.....	13
2.3.1	Adjusting the water softener	13
3	ENERGY SAVING AND ENVIRONMENTAL RESPECT	15
3.1	Reducing the consumption of detergent and respecting the environment.	15
4	REMOVING THE DISHES.....	16
5	TROUBLESHOOTING	17

1 INTRODUCTION

Thank you for choosing one of our products. To use this dishwasher correctly and safely, please read this manual carefully. The manual is divided into sections giving you a step-by-step guide to all your appliance's functions. The texts are easy to understand and are complete with detailed illustrations. This user-friendly manual will provide answers to all your questions about use of the dishwasher.

Before using this dishwasher, carefully read chapter 2 "Use and safety warnings" of the attached general manual.

For any other information about use and maintenance of the dishwasher, read the enclosed general manual carefully.

This manual comprises the following sections:



INTRODUCTION: general information about the manual.

USER INSTRUCTIONS: advice on using the washing programs and information about all the dishwasher functions.

Nomenclature of figures and tables:

The progressive number of each figure is shown in the bottom right-hand corner of the relative box. An example of a progressive number is "Fig. 4-01", where the first number (4) indicates the section to which the figure belongs, while the second number (01) indicates the progressive number of the figure in section 4 (Fig. 4-01 is the first figure in section 4). The tables are numbered in the same way, bearing in mind that "Tab." is used instead of "Fig." (e.g.: Tab. 4-01 is the first table in section 4). If a table occupies more than one page, a letter is added after the progressive number (e.g.: "Tab. 4-01a", Tab. 4-01b").

Symbols used in this manual (see tab. 1-01)

	DANGER. This symbol highlights information and warnings which, if not observed, may compromise personal safety or damage the appliance.
	This symbol highlights general information and warnings.
Tab. 1-01	

2 DESCRIPTION AND USE OF THE CONTROLS

2.1 Upper panel

All the dishwasher controls are grouped on the upper panel (see fig. 2-01). The dishwasher can only be switched on, programmed, switched off, etc. with the door open.

A brief description (see tab. 2-01) of the various controls on the upper panel is given below.

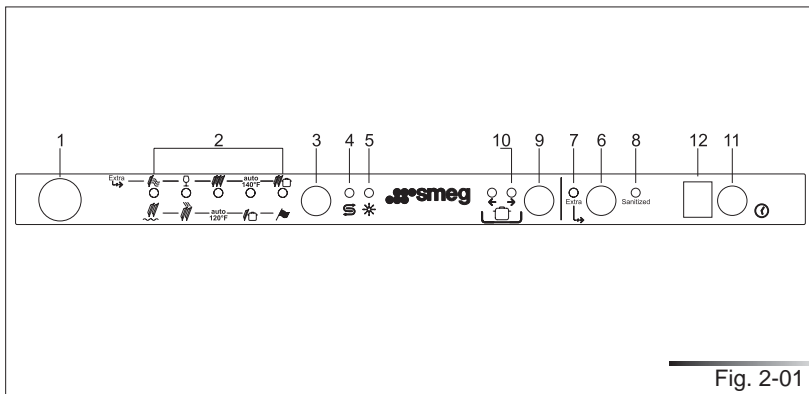


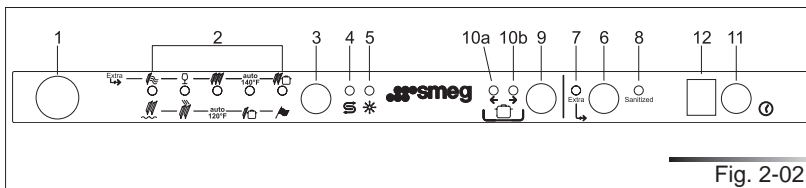
Fig. 2-01

1	On/off button Press to power the appliance.
2	Program indicator lights These show which program is selected and whether there are any faults (Troubleshooting).
3	Program selection button Press in sequence to select the required program.
4	Add salt indicator light Shows the appliance has run out of salt.
5	Add rinse aid Shows the appliance has run out of rinse aid.
6	Supplementary program button Press to select one of the five supplementary programs (see table).
7	Supplementary program indicator light Shows that one of the five supplementary programs will be run (see table).
8	Sanitation indicator light Shows that the function is active.
9	Multi-zone button Press to select the zone where you wish to concentrate washing power.
10	Multi-zone indicator lights One of these lights shines to show that the multi-zone wash function has been selected.
11	Program delay button Press to delay the start of the program up to 9 hours.
12	Display

Tab. 2-01





2.2 *Setting the washing program and switching on and off*

The dishwasher is equipped with a control panel (see fig. 2-02) which is used to program the appliance and switch it on and off.

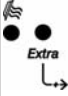
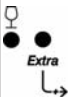


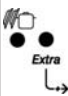


USER INSTRUCTIONS

To select the most suitable program for the dishes to wash, consult the following table which specifies the most appropriate type of washing sequence depending on the kind of dishes and how dirty they are (see tabs. 2-02a and 2-02b).

PROGRAM NUMBER AND SYMBOL			DISHES AND CUTLERY	PROGRAM SEQUENCE	TIME	CONSUMPTION	
					MINUTES (2)	WATER (1)	ENERGY KWh (2)
1		RINSE	Mixed dishes waiting to be washed	Cold rinse (to prevent the dirt from drying).	15'	3.4 l 0.89 gal.	0.03
2		SHORT	Slightly dirty dishes and glasses	Wash at 38°C (100.4°F). Cold rinse. Hot rinse at 58°C (136.4°F).	45'	9.4 l 2.48 gal.	0,4
3	auto 120°F	AUTO DELICATE	Normally dirty mixed dishes	Cold pre-wash. (depending of the type of dirty) Wash at 55°C (131°F). Cold rinse. Hot rinse at 69°C (156.2°F). Dry.	90' ÷ 105'	9 ÷ 13 l 2.38 ÷ 3.43 gal.	from 0.7 to 0.9
4		HEAVY WASH	Normally dirty mixed dishes and pans	Wash at 70°C (158°F). Cold rinse. Hot rinse at 70°C (158°F). Dry.	107'	13.2 l 3.88 gal.	0.91
5		QUICK & INTENSE	Normally dirty (not dried on) mixed dishes	Wash at 65°C (149°F). Cold rinse. Hot rinse at 70°C (158°F).	52'	9.2 l 2.43 gal.	0.77

Tab. 2-02a

PROGRAM NUMBER AND SYMBOL		DISHES AND CUTLERY	PROGRAM SEQUENCE	TIME	CONSUMPTION		
				MINUTES (2)	WATER (1)	ENERGY KWh (2)	
6		DISH WARMING	Clean mixed dishes to rinse and heat before use	Hot rinse at 69°C (156.2°F). Dry.	50'	3.4 l 0.89 gal.	0.63
7		CRYSTAL	Slightly dirty crystal, porcelain and mixed dishes	Wash at 45°C (113°F). Cold rinse. Hot rinse at 69°C (156.2°F). Dry.	68'	9.4 l 2.48 gal.	0.61
8		NORMAL	Normally dirty mixed dishes	Cold pre-wash. Extended wash at 55°C (131°F). Cold rinse. Hot rinse at 68°C (154.4°F). Extended dry.	112'	13.3 l 3.51 gal.	0.79
9		AUTO SUPER WASH ETL SANITATION LISTED	Very dirty mixed dishes	Cold pre-wash (depending of the type of dirty). Wash at 65°C (149°F). Cold rinse. Hot rinse at 70°C (158°F). Dry.	115' ÷ 130'	9 ÷ 13 l 2.38 ÷ 3.43 gal.	0.9 ÷ 1.1
10		EXTREME WASH ETL SANITATION LISTED	Very dirty mixed dishes and pans	Pre-wash at 45°C (113°F). Wash at 70°C (158°F). 2 cold rinses. Hot rinse at 70°C (158°F). Dry.	122'	16.2 l 4.28 gal.	1.09

Tab. 2-02b

(1) Average water consumption with the softener set to level 0 (zero).

Any other setting will increase water consumption till 2.5 l (0.66 gal.)/cycles with setting 5.

(2) The cycle times listed in the use and care manual are based on normal soil loads and 120°F (49°C) incoming water and will vary based on your actual conditions.

- Only "AUTO SUPER WASH" and "EXTREME WASH" programmes conforms to NSF std 184 and are certified by INTERTEK with the ETL SANITATION LISTED.

- When the "AUTO PROGRAMMES" are selected, the dishwasher recognizes the type of dirt and automatically adjusts the washing parameters as appropriate.

When the "Sani light" (sanitation light) appears on the display, it means that the dishwasher and its contents have been sanitised according to the requirements of the National Sanitation Foundation (NSF).

Only run the soak program with half loads.

The **multi-zone** option (ref. 9 fig. 2-02) is available for all programs, **except soak**.

To run programs **6, 7, 8, 9, 10** (see tab. 2-02b), select the required standard program (see programs 1, 2, 3, 4, 5 in tab. 2-02a) and then press the **supplementary program button** (ref. 6 fig. 2-02).

After using the above tables to choose the most suitable washing cycle, program the appliance.



Before starting a washing program, make sure that:

- The water supply tap is **open**.
- **There is regenerating** salt in the water softener **tank** (to add salt, see the instructions in the general manual).
- **The correct amount of detergent** has been added to the **dispenser** (to add detergent, see the instructions in the general manual).
- The spray arms are able to rotate **freely** and without obstruction.
- The racks have been **correctly loaded** (see the instructions in the general manual).
- The dishwasher door **is securely closed**.

2.2.1 Switching on

Press the on/off button (ref. 1 fig. 2-02) to start the dishwasher. Then wait for one of the **program indicator lights** to turn on (ref. 2 fig. 2-02).

2.2.2 Selecting and starting the program

- Press the **program selection button** (ref. 3 fig. 2-02) several times until the indicator light corresponding to the required program turns on (ref. 2 fig. 2-02);
- if required, press the relative buttons to select any complementary functions (e.g.: “half-load”, “program delay”; see para 2.2.7 “options”);
- close the door; the program will start after about **2 seconds** and the relative indicator light will flash throughout the cycle (program→ running signal).



If the door of the dishwasher has not been closed or has been incorrectly closed, the washing cycle will not begin.

SUPPLEMENTARY PROGRAMS

The supplementary program button (ref. 6 fig. 2-02) adds **five extra programs** to the ones that can be directly selected with the program selection button.

Press the button (the indicator light turns on) **after** selecting the “main” program (see 1, 2, 3, 4, 5 in tab. 2-02a).

As the function **is memorized**, press the button again (the indicator light turns off) if you wish to run one of the 5 main programs for the next cycle.

2.2.3 End of program

The end of the program is signaled by a short beep. Additionally, the indicator lights of the “heavy wash” and “quick & intense” programs flash.

2.2.4 Interrupting a program

To interrupt the current program simply open the door of the dishwasher; to restart the program, simply close the door again. The program restarts from where it was interrupted.



*If it is necessary to open the door during the washing cycle, the program will be interrupted, the relative indicator light will continue to flash and a beep will indicate that the cycle has not terminated. Wait for about **1 minute** before closing the door and continuing with the program. When the door closes, the program will start from where it was interrupted. This operation should be performed **only if necessary** as it could cause irregular program performance.*

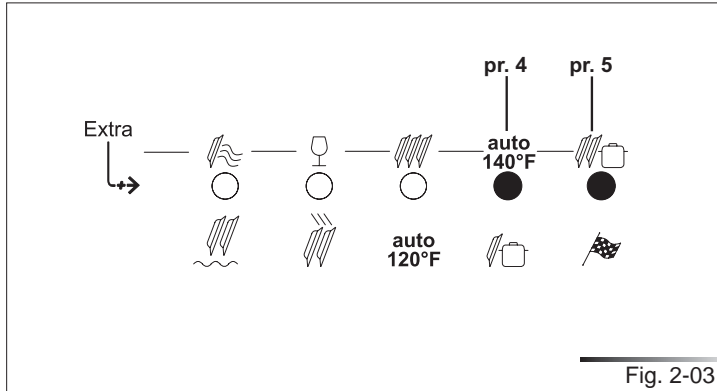
2.2.5 Changing the current program

To change the current program, simply open the door of the dishwasher and select the new program. Close the door to run the new program automatically.

2.2.6 Canceling the current program

- To cancel the current program, open the door and press and hold down the **program selection** button (ref. 3 fig. 2-02) for a few seconds until the indicator lights of the fourth and fifth programs turn on (ref. pr. 4, pr. 5 fig. 2-03).

- Close the door again.
- After about 1 minute, the dishwasher terminates the cycle and the indicator lights of the fourth and fifth programs (ref. pr. 4, pr. 5 fig. 2-03) start flashing.



2.2.7 Options

MULTI-ZONE SELECTION

(available for all programs except soak)

This function should be used when some dishes are dirtier than others; load the dirtier dishes on the right- or left-hand side of the rack where washing power will then be concentrated.

Before selecting the multi-zone wash option, open the dishwasher door and choose the required washing program (see para 2.2 “Setting the washing program and switching on and off”). Press the button (ref. 9 fig. 2-02) repeatedly to select the zone where to concentrate washing power, as follows:

1. right-hand zone 65% - left-hand zone 35% (right-hand indicator light on);
 2. right-hand zone 35% - left-hand zone 65% (left-hand indicator light on);
 3. both zones 50% (indicator lights off).
- press the button **once** to select washing in the **upper rack**. This is confirmed by the relative indicator light (ref. 10a fig. 2-02);
 - press the button **twice** to select washing in the **lower rack**. This is confirmed by the relative indicator light (ref. 10b fig. 2-02);
 - press the button **three times** to return to the standard **full load** condition (washing in both racks, both indicator lights off).



*When washing in just the **lower rack** is selected, **the cutlery basket can be separated and just half used.***

PROGRAM DELAY

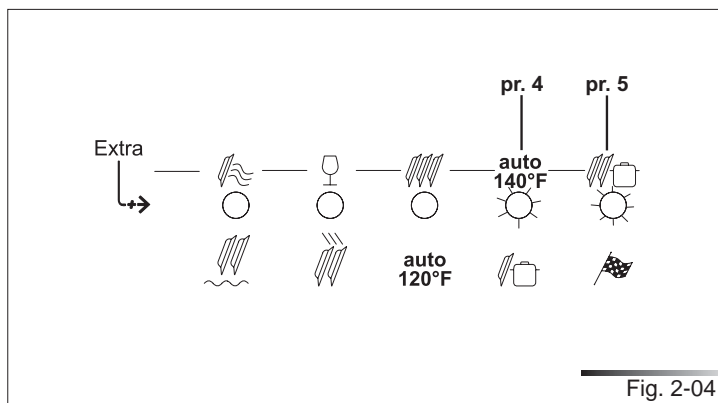
(available for all programs except soak)

The “**Program delay**” function delays the beginning of the washing program up to **9 hours** from the moment in which programming takes place. This makes it possible to use the dishwasher at a certain time of day.

Before programming a delay, open the door of the dishwasher, select the required washing program (see para 1.2 “Setting the washing program and switching on and off”). Select the day by pressing the **Program delay** button (ref. 12 fig. 2); each time you press the button, the display increases the delay before the appliance starts by **1 hour**.

2.2.8 Switching off

At the end of the program, the dishwasher emits a short beep and the **indicator lights of the fourth and fifth program** (ref. pr. 4, pr. 5 fig. 2-04) flash. Turn off the appliance by opening the door and pressing the **on/off button** (ref. 1 fig. 2-02).



2.3 Additional functions

2.3.1 Adjusting the water softener



N.B.: a different washing program from soak must be used to make the following adjustment.

Press and hold down the **program delay** button (ref. 11 fig. 2-05) until the preset value appears followed by a dot (normally **3.**). Release the button and then press it again and again until the required value is displayed, as indicated in the table (see tab. 2-03).

The **6** possible adjustment levels will appear in this sequence:

3., 4., 5., 0., 1., 2..

When the required value appears on the display, release the button; after **5 seconds** the appliance automatically reverts to the program delay and the adjustment is set to the chosen value.



N.B.: the display indicates the water hardness adjustment and the program delay. A dot (.) after the number means that the water hardness adjustment is being displayed. If no dot (.) appears, the program delay is being displayed.

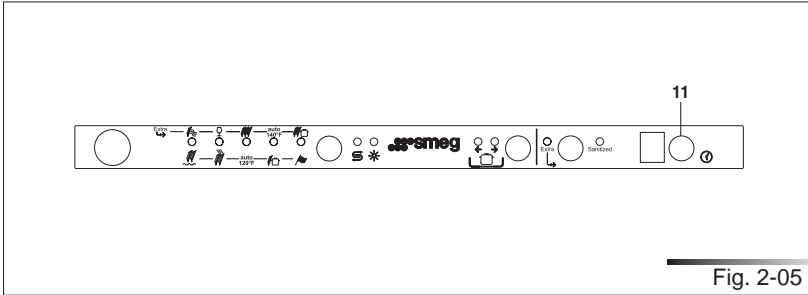


Fig. 2-05

Water hardness table (see tab. 2-03)

WATER HARDNESS			SETTING
German degrees (°D)	French degrees (°F)	American degrees grains/galls	
0 - 4	0 - 7	0 - 4.5	0.
5 - 15	8 - 25	4.6 - 14.5	1.
16 - 23	26 - 40	14.6 - 23.5	2.
24 - 31	41 - 60	23.6 - 35	3.
32 - 47	61 - 80	35.1 - 46.5	4.
48 - 58	81 - 100	46.6 - 58.5	5.

Tab. 2-03

Contact your local water board for information on the hardness of your water supply.

3 ENERGY SAVING AND ENVIRONMENTAL RESPECT

- **Always** try to run the dishwasher **fully loaded**.
- Do not wash the dishes under a running tap.
- Use the **most suitable** washing program for each type of load.
- Do not pre-rinse.
- If available, connect the dishwasher to a hot water system with a temperature of up to 60°C (140°F).
- When possible, **skip the drying cycle** by opening the door after washing: the air and the residue heat will dry the dishes to perfection.

3.1 Reducing the consumption of detergent and respecting the environment

The phosphates contained in dishwasher detergents are harmful to the environment. To avoid using excessive amounts of detergent and to save on electricity:

- **Separate** the more delicate items from those that are more resistant to aggressive detergents and high temperatures;
- **Do not pour** the detergent directly onto the dishes.

4 **REMOVING THE DISHES**



*At the end of the washing program, wait at least **20 minute** before removing the dishes in order to allow them to cool.*

5 TROUBLESHOOTING

The dishwasher can signal a number of malfunctions by turning on various indicator lights, as described below (see following table):

	FAULT	DESCRIPTION
E1		Aquastop failure The anti-flooding system has tripped (only for models fitted with this feature). Activates in case of water leaks. Contact the technical assistance service.
E2		Safety level The system limiting the water level in the dishwasher has tripped. Interrupt the current program. Switch off the dishwasher, switch it back on again, program a new cycle and press start. If the problem persists, contact the technical assistance service.
E3		Water heating malfunction The water is not heated or is incorrectly heated. Repeat the washing program; if the problem persists, contact the technical assistance service.
E4		Water temperature monitoring malfunction Interrupt the current program. Switch off the dishwasher, switch it back on again, program a new cycle and press start. If the problem persists, contact the technical assistance service.
E5		Water intake malfunction The appliance does not take in water or does so incorrectly. Make sure the water connections are correct, that the water supply tap is open and that the filter is not clogged. If the problem persists, contact the technical assistance service.

Tab. 5-01a

	FAULT	DESCRIPTION
E6		Water pump-out malfunction The appliance does not pump out the water or does so incorrectly. Make sure the drain hose is not kinked or crushed and that the siphon and filters are not clogged. If the problem persists, contact the technical assistance service.
E7		Turbine flow-regulator malfunction (only for models fitted with this feature) The appliance is unable to precisely measure the quantity of incoming water. Interrupt the current program and switch off the dishwasher. Switch it back on again, program a new cycle and press start. If the problem persists, contact the technical assistance service.
E8		Alternate washing system malfunction Interrupt the current program and switch off the dishwasher. Switch it back on again, program a new cycle and press start. If the problem persists, contact the technical assistance service.
E9		Water intake system malfunction Contact the technical assistance service.

Tab. 5-01b

○ Light off

● Light on

☀ Light flashing

If an alarm situation occurs, the dishwasher interrupts the current program and signals the fault.

- Alarms **E1, E2, E3, E4, E8, E9** immediately terminate the current program.
- Alarms **E5, E6** interrupt the current program and, after the problem has been eliminated, resume the cycle.
- Alarm **E7** is displayed at the end of the cycle which, however, is completed given that it does not jeopardize the operation of the dishwasher.

To “reset” an alarm:

- open or close the door, or switch the appliance on and back off again. At this point, the dishwasher can be programmed again.



If the fault persists, contact the Authorized Technical Assistance Service.

Contents

1	INTRODUCTION	3
2	IMPORTANT SAFETY INSTRUCTION.....	5
3	INSTALLATION AND HOOK-UP	12
4	OPERATING INSTRUCTIONS	15
4.1	Using the water softening system.....	16
4.2	Using the rinse-aid and detergent dispensers.....	18
4.2.1	Adding the rinse-aid	19
4.2.2	Adjusting the rinse-aid dispenser.....	19
4.2.3	Adding the detergent	20
4.3	General warnings and recommendations	22
4.4	Using the rack	24
4.4.1	Cutlery basket.....	26
5	CLEANING AND USER-MAINTENANCE	28
5.1	General warnings and recommendations for correct maintenance.....	28
5.2	Cleaning the water intake filter	29
5.3	Cleaning the spray arms.....	29
5.4	Cleaning the filter unit	31
5.5	Maintenance warnings and advice	32
5.6	Troubleshooting minor problems	33
6	TECHNICAL DATA	35

1 INTRODUCTION

Thank you for choosing one of our products. To use this dishwasher correctly and safely, please read this manual carefully. The manual is divided into sections giving you a step-by-step guide to all your appliance's functions. The texts are easy to understand and are complete with detailed illustrations. Following the cleaning instructions provided here will keep dishwasher performance at peak levels in the long term. This user-friendly manual will provide answers to all your questions about use of the dishwasher.

This manual comprises the following sections:

INTRODUCTION: general information about the manual.

WARNINGS: a list of warnings concerning safety and use of the dishwasher.




*INSTALLATION INSTRUCTIONS: for the **qualified technician** who must carry out the installation, hook-up and testing of the appliance.*

USER INSTRUCTIONS: useful advice is provided for the use of racks, spray arms, containers and filters.

Nomenclature of figures and tables:

The progressive number of each figure is shown in the bottom right-hand corner of the relative box. An example of a progressive number is "Fig. 4-01", where the first number (4) indicates the section to which the figure belongs, while the second number (01) indicates the progressive number of the figure in section 4 (Fig. 4-01 is the first figure in section 4). The tables are numbered in the same way, bearing in mind that "Tab." is used instead of "Fig." (e.g.: Tab. 4-01 is the first table in section 4). If a table occupies more than one page, a letter is added after the progressive number (e.g.: "Tab. 4-01a", Tab. 4-01b").

Symbols used in this manual (see tab. 1-01)

	DANGER. This symbol highlights information and warnings which, if not observed, may compromise personal safety or damage the appliance.
	DANGER OF ELECTROCUTION. This symbol highlights information and warnings of an electrical nature which, if not observed, may compromise personal safety or damage the appliance.
	This symbol highlights general information and warnings.
Tab. 1-01	

2 **IMPORTANT SAFETY INSTRUCTION** (Save this instructions)



THIS MANUAL FORMS AN INTEGRAL PART OF THE APPLIANCE: IT MUST ALWAYS BE KEPT INTACT TOGETHER WITH THE DISHWASHER (INCLUDING THE "INSTALLATION" AND "DESCRIPTION OF CONTROLS" MANUALS, IF ATTACHED). BEFORE USING THE APPLIANCE, CAREFULLY READ ALL THE INSTRUCTIONS CONTAINED IN THIS MANUAL. INSTALLATION MUST BE PERFORMED BY A QUALIFIED TECHNICIAN, IN COMPLIANCE WITH THE REGULATIONS IN FORCE. THIS APPLIANCE IS INTENDED FOR DOMESTIC USE, AND COMPLIES WITH THE DIRECTIVES CURRENTLY IN FORCE, INCLUDING THE PREVENTION AND ELIMINATION OF RADIO FREQUENCY INTERFERENCE. THE APPLIANCE IS DESIGNED FOR THE FOLLOWING PURPOSE: **WASHING AND DRYING OF DISHES**; ANY OTHER USE SHALL BE CONSIDERED IMPROPER. **THE MANUFACTURER DECLINES ALL RESPONSIBILITY FOR USES OTHER THAN THOSE DESCRIBED ABOVE.**



THE NAME PLATE FEATURING THE TECHNICAL DATA, SERIAL NUMBER AND MARKINGS IS VISIBLY POSITIONED ON THE INNER EDGE OF THE DOOR. **THE NAME PLATE MUST NEVER BE REMOVED.**



THIS APPLIANCE IS NOT SUITABLE FOR USE ON BOATS, CARAVANS OR THE LIKE. DISHWASHERS CERTIFIED FOR DOMESTIC USE ARE NOT SUITABLE FOR AUTHORISED FOOD FACTORIES.



CHECK THAT THE VOLTAGE, FREQUENCY AND PROTECTION OF THE DOMESTIC MAINS POWER SUPPLY MATCH THE RATINGS ON THE NAME PLATE OF THE APPLIANCE.



DO NOT LEAVING DISCARDED PACKAGING MATERIALS UNSUPERVISED WITHIN THE HOME. SEPARATE THE VARIOUS PACKAGING MATERIALS AND TAKE THEM TO THE NEAREST SORTED WASTE COLLECTION CENTRE. KEEP CHILDREN, PHYSICALLY AND/OR MENTALLY IMPAIRED ADULTS, AND ANIMALS AWAY FROM PACKAGING WASTE; DANGER OF SUFFOCATION.



BEFORE PROCEEDING WITH INSTALLATION, DISCONNECT THE MAINS POWER SUPPLY FROM THE WORK AREA.



DO NOT USE EXTENSION CORDS, ADAPTORS OR SHUNT CONNECTIONS IN ORDER TO AVOID THE POSSIBILITY OF OVERHEATING OR BURNING WITH CONSEQUENT FIRE HAZARD.



DURING INSTALLATION, TAKE CARE NOT TO INJURE YOURSELF ON THE SHARP EDGES OF THE APPLIANCE; WEAR SAFETY GLOVES.



THE APPLIANCE MUST BE PROVIDED WITH AN EARTH CONNECTION IN ACCORDANCE WITH THE ELECTRICAL SAFETY REGULATIONS IN FORCE. IF IN DOUBT, HAVE THE SYSTEM CHECKED BY A QUALIFIED ELECTRICIAN (SEE ALSO THE WARNINGS INDICATED IN CHAPTER 3).

THE MANUFACTURER DECLINES ALL RESPONSIBILITY FOR DAMAGE TO PERSONS OR PROPERTY RESULTING FROM THE FAILURE TO EARTH THE APPLIANCE OR FROM A DEFECTIVE EARTH CONNECTION.



ALWAYS SWITCH OFF THE DISHWASHER AFTER EACH USE TO AVOID WASTING ELECTRICITY.



IN THE EVENT OF A FAULT, DISCONNECT THE DISHWASHER FROM THE ELECTRICAL POWER SUPPLY AND SHUT OFF THE WATER TAP.



DO NOT USE APPLIANCES WHICH HAVE BEEN DAMAGED DURING TRANSIT! IF IN DOUBT, CONSULT YOUR DEALER. THE APPLIANCE MUST BE INSTALLED AND CONNECTED IN ACCORDANCE WITH THE INSTRUCTIONS PROVIDED BY THE MANUFACTURER OR BY A QUALIFIED TECHNICIAN.



ONLY USE DETERGENTS SPECIALLY FORMULATED FOR DISHWASHERS. DO NOT USE DETERGENTS FORMULATED FOR WASHING DISHES BY HAND.

ONLY USE RINSE-AID SPECIALLY FORMULATED FOR DOMESTIC DISHWASHERS.



DO NOT INHALE OR SWALLOW DETERGENT AS THIS MAY CAUSE BURNS AND/OR PERMANENT DAMAGE TO THE NOSE, MOUTH AND THROAT, AND EVEN LEADING TO SUFFOCATION; KEEP DETERGENT AWAY FROM YOUR EYES. IF ONE OF THE ABOVE SITUATIONS OCCURS, SEEK MEDICAL ASSISTANCE IMMEDIATELY. TO PREVENT CHILDREN FROM COMING INTO CONTACT WITH DETERGENT, FILL THE DISHWASHER JUST BEFORE STARTING THE WORK PROGRAM AND THEN KEEP THE DETERGENT OUT OF THE REACH OF CHILDREN.



THIS DISHWASHER MUST BE USED BY ADULTS. USE BY PERSONS WITH REDUCED MENTAL AND/OR PHYSICAL CAPABILITIES IS ONLY PERMITTED UNDER THE SUPERVISION OF A PERSON RESPONSIBLE FOR THEIR SAFETY.

DO NOT ALLOW CHILDREN TO APPROACH AND/OR PLAY IN OR ON THE DISHWASHER. THE APPLIANCE MAY CONTAIN RESIDUES OF DETERGENT WHICH CAN CAUSE PERMANENT DAMAGE TO THE EYES, MOUTH AND THROAT, AS WELL AS POSSIBLE DEATH BY SUFFOCATION; IF THE ABOVE OCCURS, SEEK MEDICAL ASSISTANCE IMMEDIATELY.

BEWARE; IT IS POSSIBLE FOR CHILDREN TO GET TRAPPED INSIDE THE DISHWASHER!



DO NOT INTRODUCE SOLVENTS SUCH AS ALCOHOL OR TURPENTINE WHICH MAY CAUSE AN EXPLOSION.



DO NOT POUR POWDER AND/OR LIQUID DETERGENT INTO THE RINSE-AID CONTAINER AS THIS WILL DAMAGE THE CONTAINER. DO NOT POUR POWDER AND/OR LIQUID DETERGENT INTO THE WASTER SOFTENER TANK AS THIS WILL DAMAGE THE TANK. DO NOT USE INDUSTRIAL DETERGENTS AS THIS MAY DAMAGE THE APPLIANCE AND/OR TRIGGER VIOLENT CHEMICAL REACTIONS (E.G. EXPLOSIVE GAS).



DO NOT LOAD DISHES THAT ARE SOILED WITH ASH, WAX OR PAINTS.



DO NOT INTRODUCE ITEMS IN HEAT-SENSITIVE PLASTIC, SUCH AS DISPOSABLE CUTLERY OR PLATES, AS THESE MAY BECOME DEFORMED. DO NOT WASH OBJECTS IN PLASTIC UNLESS THEY ARE MARKED "DISHWASHER PROOF" OR THE LIKE. FOR UNMARKED OBJECTS, FOLLOW THE INSTRUCTIONS OF THE MANUFACTURER; IF NO INFORMATION IS AVAILABLE, DO NOT WASH THESE OBJECTS IN THE DISHWASHER.



DO NOT INTRODUCE ANIMALS INTO THE DISHWASHER.



WHEN OPENING THE DISHWASHER DOOR DURING A CYCLE THERE IS A RISK OF SCALDING DUE TO THE HEAT CONTAINED INSIDE; DO NOT GET IN THE WAY OF THE STEAM LEAVING THE APPLIANCE AND DO NOT TOUCH THE COMPONENTS INSIDE. WAIT 20 MINUTES AFTER THE END OF THE WASHING CYCLE OR AFTER INTERRUPTING IT BEFORE REMOVING THE DISHES IN ORDER TO ALLOW THEM TO DRY.



IN CERTAIN SITUATIONS, HYDROGEN MAY BE GENERATED INSIDE A HOT WATER SYSTEM THAT HAS NOT BEEN USED FOR OVER TWO WEEKS. **HYDROGEN IS AN EXPLOSIVE GAS.** IF THE HOT WATER SYSTEM HAS NOT BEEN USED FOR TWO WEEKS OR MORE, OPEN ALL THE HOT WATER TAPS AND ALLOW THE WATER TO RUN FOR A FEW MINUTES BEFORE USING THE DISHWASHER. THIS WILL DISCHARGE ANY HYDROGEN BUILDUPS. **AS THIS GAS IS FLAMMABLE, DO NOT SMOKE OR USE NAKED FLAMES WHILE PERFORMING THIS OPERATION.**



LEANING OR SITTING ON THE DISHWASHER DOOR WHEN OPEN MAY CAUSE THE APPLIANCE TO OVERTURN, PUTTING PEOPLE AT RISK. NEVER LEAVE THE DISHWASHER DOOR OPEN; PEOPLE MIGHT TRIP OVER IT.

DO NOT LEAN AGAINST OR STAND ON THE DISHWASHER RACKS.



DO NOT DRINK THE WATER RESIDUES WHICH MAY BE PRESENT INSIDE THE DISHES OR DISHWASHER.



KNIVES OR OTHER SHARP-ENDED COOKING UTENSILS MUST BE PLACED IN THE CUTLERY BASKET BLADE-DOWN, OR LAID HORIZONTAL IN THE RACK. TAKE CARE NOT TO CUT YOURSELF AND ENSURE THAT THEY DO NOT PROJECT FROM THE RACK. POSITION SHARP/POINTED OBJECTS SO AS TO PREVENT THEM FROM DAMAGING THE DOOR GASKETS.



DO NOT OPERATE THE DISHWASHER UNLESS ALL THE OUTER PANELS HAVE BEEN POSITIONED CORRECTLY.



DO NOT TAMPER WITH THE DISHWASHER CONTROLS.



AQUASTOP MODELS; THE AQUASTOP DEVICE PREVENTS FLOODING IN THE EVENT OF A WATER LEAK. WHEN THE AQUASTOP DEVICE IS TRIPPED (THE ERROR IS INDICATED ON THE DISPLAY), CALL IN A QUALIFIED TECHNICIAN TO IDENTIFY AND REPAIR THE FAULT. IN MODELS EQUIPPED WITH THE AQUASTOP DEVICE, THERE IS A SOLENOID VALVE INSIDE THE WATER INTAKE HOSE. **DO NOT CUT THE HOSE AND DO NOT ALLOW THE SOLENOID VALVE TO DROP INTO WATER.** IN THE EVENT OF DAMAGE TO THE WATER INTAKE HOSE, DISCONNECT THE APPLIANCE FROM THE ELECTRICAL POWER SUPPLY AND FROM THE WATER SUPPLY.

IMMEDIATELY AFTER INSTALLING THE DISHWASHER, PERFORM A QUICK TEST OF THE APPLIANCE (SEE "INSTALLATION" MANUAL). IF THE DISHWASHER FAILS TO OPERATE CORRECTLY, DISCONNECT IT FROM THE ELECTRICAL POWER SUPPLY AND CALL THE NEAREST TECHNICAL SERVICE CENTRE. **DO NOT ATTEMPT TO REPAIR THE APPLIANCE.**



THE DISHWASHER MEETS ALL THE REQUIREMENTS SET OUT BY THE REGULATIONS IN FORCE CONCERNING SAFETY AND ELECTRICAL EQUIPMENT. ANY TECHNICAL CHECKS SHOULD BE CONDUCTED EXCLUSIVELY BY A TRAINED AND AUTHORIZED TECHNICIAN: **REPAIRS CARRIED OUT BY UNAUTHORIZED PERSONS WILL INVALIDATE THE WARRANTY, AS WELL AS POSING A POTENTIAL HAZARD TO THE USER.**




BEFORE CLEANING OR SERVICING THE APPLIANCE, REMOVE THE PLUG OR TURN OFF THE MULTI-POLE SWITCH.



REMOVE THE WASHING COMPARTMENT DOOR AND DISCONNECT THE MAINS POWER SUPPLY WHEN REMOVING THE OLD DISHWASHER FOR MAINTENANCE OR DISPOSAL.



THE SYMBOL  ON THE PRODUCT, OR ON THE DOCUMENTS ACCOMPANYING THE PRODUCT, INDICATES THAT THIS APPLIANCE MAY NOT BE TREATED AS HOUSEHOLD WASTE. INSTEAD IT SHALL BE HANDED OVER TO THE APPLICABLE COLLECTION POINT FOR THE RECYCLING OF ELECTRICAL AND ELECTRONIC EQUIPMENT. DISPOSAL MUST BE CARRIED OUT IN ACCORDANCE WITH LOCAL ENVIRONMENTAL REGULATIONS FOR WASTE DISPOSAL. FOR MORE DETAILED INFORMATION ABOUT TREATMENT, RECOVERY AND RECYCLING OF THIS PRODUCT, PLEASE CONTACT YOUR LOCAL CITY OFFICE, YOUR HOUSEHOLD WASTE DISPOSAL SERVICE OR THE SHOP WHERE YOU PURCHASED THE PRODUCT.



BY ENSURING THIS PRODUCT IS DISPOSED OF CORRECTLY, YOU WILL HELP PREVENT POTENTIAL NEGATIVE CONSEQUENCES FOR THE ENVIRONMENT AND HUMAN HEALTH.



THE MANUFACTURER DECLINES ALL RESPONSIBILITY FOR DAMAGE TO PERSONS, ANIMALS OR PROPERTY RESULTING FROM FAILURE TO OBSERVE THE ABOVE PRECAUTIONS, FROM TAMPERING WITH EVEN A SINGLE COMPONENT OF THE APPLIANCE, OR FROM THE USE OF UNORIGINAL SPARE PARTS.

IF IN DOUBT ABOUT THE CONTENTS OF THIS MANUAL, CONTACT THE TECHNICAL ASSISTANCE SERVICE.

3 INSTALLATION AND HOOK-UP

To install and hook up this appliance, consult the attached installation manual.

Bear in mind the following warnings when installing and hooking up the dishwasher.



DURING INSTALLATION, TAKE CARE NOT TO INJURE YOURSELF ON THE SHARP EDGES OF THE APPLIANCE; WEAR SAFETY GLOVES.



INSTALLATION, REPAIRS AND SERVICING MUST BE PERFORMED BY QUALIFIED AND AUTHORIZED TECHNICIANS. AS WELL AS INVALIDATING THE WARRANTY, WORK CARRIED OUT BY UNAUTHORIZED PERSONS MAY GENERATE HAZARDS. INSTALLATION MUST BE PERFORMED IN COMPLIANCE WITH ALL THE DIRECTIVES IN FORCE IN THE COUNTRY OF INSTALLATION AND, IF THESE DO NOT EXIST: IN THE UNITED STATES THE NATIONAL ELECTRIC CODE; IN CANADA THE CANADIAN ELECTRIC CODE C22.1 - LATEST EDITION/PROVINCIAL AND MUNICIPAL CODES AND/OR LOCAL CODES.



*BUILDING-IN A DISHWASHER UNDERNEATH A CERAMIC HOB IS **ABSOLUTELY FORBIDDEN**. A DISHWASHER CAN BE BUILT-IN UNDERNEATH A CONVENTIONAL HOB PROVIDED THERE IS **NO BREAK** IN THE KITCHEN WORKTOP, AND THE DISHWASHER AND HOB ARE **INSTALLED AND SECURED CORRECTLY**, SO THAT **NO HAZARDS ARE GENERATED**.*



PREVENTING THE RISK OF CLOGGING OR DAMAGE: IF THE WATER PIPE IS NEW OR HAS NOT BEEN USED FOR A LONG TIME, BEFORE CONNECTING TO THE WATER SUPPLY CHECK THAT THE WATER IS CLEAR AND FREE OF IMPURITIES, TO PREVENT DAMAGE TO THE APPLIANCE. **THE DISHWASHER MUST ALWAYS BE CONNECTED TO THE WATER SYSTEM WITH NEW HOSES; OLD OR USED HOSES MUST NEVER BE RE-USED.**



CHECK THAT THE VOLTAGE AND THE FREQUENCY OF THE MAINS MATCH THE RATINGS ON THE NAME PLATE OF THE APPLIANCE POSITIONED ON THE INNER EDGE OF THE DOOR.



IN THE EVENT OF DAMAGE TO THE SUPPLY CORD, HAVE IT REPLACED BY THE MANUFACTURER OR AN AUTHORIZED TECHNICAL SERVICE CENTRE.

THIS APPLIANCE MUST BE EARTHED. IN CASE OF A MALFUNCTION OF FAULT, THE EARTH REDUCES THE RISK OF ELECTROCUTION BY PROVIDING THE ELECTRICAL CURRENT WITH AN ALTERNATIVE, LESS RESISTANT PATH.



BEFORE MAKING ELECTRICAL CONNECTIONS, DISCONNECT THE MAINS POWER SUPPLY FROM THE WORK AREA.



CHECK THAT THE MAINS SUPPLY IN THE PLACE OF INSTALLATION COMPLIES WITH THE REGULATIONS IN FORCE IN THE COUNTRY OF USE, AND THAT IT IS CORRECTLY EARTHED.



THIS APPLIANCE MUST BE EARTHED. IN CASE OF A MALFUNCTION OF FAULT, THE EARTH REDUCES THE RISK OF ELECTROCUTION BY PROVIDING THE ELECTRICAL CURRENT WITH AN ALTERNATIVE, LESS RESISTANT PATH. THIS APPLIANCE IS FITTED WITH A SUPPLY CORD CONTAINING AN EARTH WIRE AND PLUG. FIT THE PLUG INTO A SUITABLE SOCKET, INSTALLED AND EARTHED IN COMPLIANCE WITH THE LAWS IN FORCE IN THE COUNTRY OF INSTALLATION.



AN INCORRECTLY CONNECTED EARTH WIRE MAY GENERATE THE RISK OF ELECTROCUTION. IF IN DOUBT AS TO THE CORRECT EARTHING OF THE APPLIANCE, CALL IN A QUALIFIED ELECTRICIAN OR THE TECHNICAL ASSISTANCE SERVICE. DO NOT CHANGE THE PLUG ATTACHED TO THE APPLIANCE. IF THE PLUG IS NOT SUITABLE FOR THE SOCKET, CALL IN A QUALIFIED ELECTRICIAN TO FIT A SUITABLE PLUG.



IN THE EVENT OF DAMAGE TO THE SUPPLY CORD, HAVE IT REPLACED BY THE MANUFACTURER OR AN AUTHORIZED TECHNICAL SERVICE CENTRE IN ORDER TO AVOID ANY RISK.



DO NOT USE EXTENSION CORDS, ADAPTORS OR SHUNT CONNECTIONS IN ORDER TO AVOID THE POSSIBILITY OF OVERHEATING OR BURNING, WITH CONSEQUENT FIRE HAZARD.



WARNING!

ACCESS TO THE DOOR OPENING AND CLOSING MECHANISMS CAN ONLY PREVENTED AFTER INSTALLATION.

IF THE APPLIANCE IS NOT BUILT IN OR IS BUILT IN BUT ONE OR BOTH FRONT PANELS HAVE NOT BEEN FITTED, SOME MECHANICAL PARTS ARE ACCESSIBLE. WHEN OPENING OR CLOSING THE DOOR, THESE MAY CAUSE SERIOUS INJURY TO LIMBS. NEVER PUT YOUR HANDS IN THE SIDE OPENINGS OF THE LOWER PANEL WHEN OPENING OR CLOSING THE DOOR.



NEVER OPEN THE DISHWASHER DOOR WITH THE LOWER DRAWER PARTIALLY OR COMPLETELY OPEN. IF THERE IS A DRAWER IN THE LOWER PART OF THE UNIT CONTAINING THE DISHWASHER, MAKE SURE IT IS PERFECTLY CLOSED BEFORE OPENING THE DISHWASHER DOOR.

PARTIALLY OR FULLY OPENING THE LOWER DRAWER MAY DAMAGE THE LOWER PANEL RETAINERS.

4 OPERATING INSTRUCTIONS



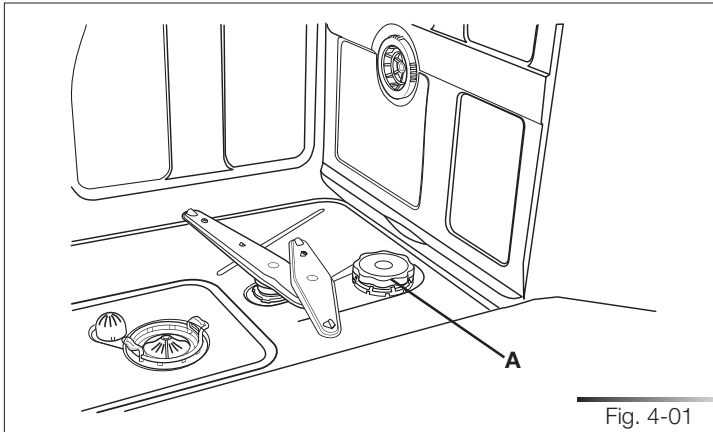
BEFORE STARTING TO USE THE APPLIANCE, MAKE SURE YOU HAVE READ AND UNDERSTOOD ALL THE WARNINGS CONTAINED IN CHAPTER 2 "IMPORTANT SAFETY INSTRUCTION".

Once the dishwasher has been correctly installed, prepare for use as follows:

- adjust the water softening system;
- add the regenerating salt;
- add the rinse-aid and detergent.

4.1 Using the water softening system

The amount of scale contained in the water (water hardness index) can cause whitish staining on the dry dishes, which tend to become dull over time. The dishwasher is equipped with an automatic softening system which uses a special regenerating salt to reduce the hardness of the water. The dishwasher is factory set for water hardness level 3 (average hardness **41-60°dF – 24-31°dH / 23.6-35 gpg**). When using water of medium hardness, the regenerating salt container should be refilled after approximately **20 washing cycles**. The salt container can hold approximately **1.7 Kg (3.75 lb)** of salt in grains. Some models are equipped with an optical no-salt indicator. In these models, the cap of the salt container contains a green float which descends as the salt concentration in the water drops. When the green float can no longer be seen, the container must be topped up with regenerating salt. The container is situated at the bottom of the dishwasher. After removing the lower rack, unscrew the salt container cap (ref. A fig. 4-01) by turning it anticlockwise and pour in the salt using the funnel (ref. A fig. 4-02) supplied with the dishwasher. Before replacing the cap (ref. A fig. 4-01), remove any salt residues from around the opening.



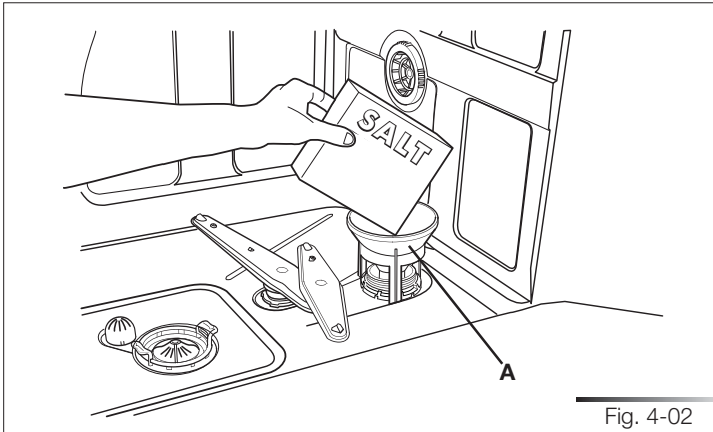


Fig. 4-02

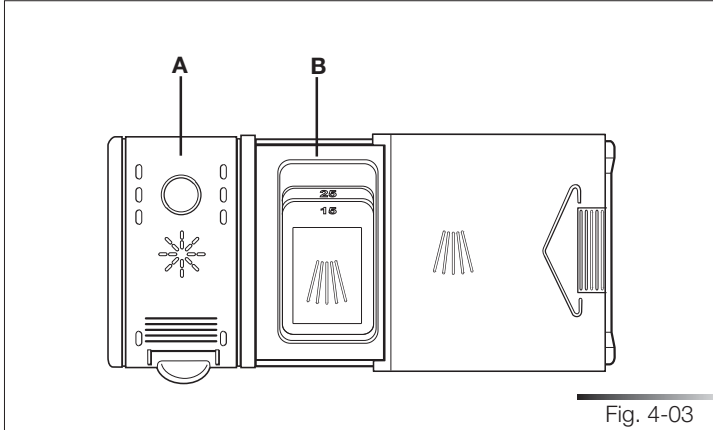
- When using the dishwasher for the first time, in addition to the salt it is also necessary to add **one liter of water** to the container.
- Each time the salt container is refilled, make sure that **the cap (ref. A fig. 4-01) is securely closed**. The mixture of water and detergent must never penetrate the salt container, as this would compromise the operation of the regeneration system. In the event of this occurring, the warranty will be invalidated.
- Only use regenerating salt specially formulated for domestic dishwashers. If using salt tablets, **do not fill the container completely**.
- **Do not use table salt** as it contains insoluble substances which, over time, may damage the water softening system.
- When necessary, refill the regenerating salt container **before starting the washing program**. In this way, the excess saline solution will be immediately removed by the water; the prolonged presence of salt water inside the tank may lead to corrosion.



BE CAREFUL NOT TO CONFUSE THE SALT AND DETERGENT PACKAGES; ADDING DETERGENT TO THE SALT CONTAINER WILL DAMAGE THE WATER SOFTENING SYSTEM.

4.2 Using the rinse-aid and detergent dispensers

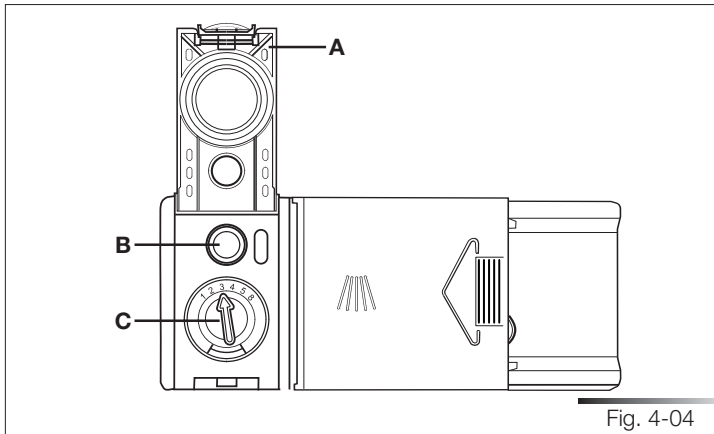
The detergent and rinse aid dispensers are situated on the inner part of the door: the **rinse-aid dispenser** (ref. A fig. 4-03) is on the left, and the **detergent dispenser** (ref. B fig. 4-03) is on the right.



*WITH THE EXCEPTION OF THE **SOAK** PROGRAM, BEFORE EVERY WASHING CYCLE IT IS NECESSARY TO ADD THE REQUIRED AMOUNT OF DETERGENT TO THE **DETERGENT DISPENSER**. THE RINSE AID, ON THE OTHER HAND, SHOULD ONLY BE ADDED AS REQUIRED.*

4.2.1 Adding the rinse-aid

The rinse aid helps the dishes dry faster and prevents the formation of scale deposits and staining; it is automatically added to the water during the final rinse cycle, from the container situated on the inner side of the door.



To add rinse aid:

- Open the door.
- Open the container cover (ref. A fig. 4-04).
- Add the rinse aid until the container is full (approximately 140 ml). The optical level indicator (ref. B fig. 4-04), on the side of the container should be completely obscured. Refill the rinse aid when the optical level indicator becomes clear again, or when the rinse aid warning light on the panel illuminates (see “Description of controls” manual).
- Close the cover (ref. A fig. 4-04).
- Use a cloth to remove any spillage of rinse aid which might lead to the formation of excess foam.

4.2.2 Adjusting the rinse-aid dispenser setting

The rinse-aid dispenser can be set to one of 6 different levels. The dishwasher is factory set for medium water hardness (selector set to “3”). To change the setting, turn the dispenser selector (ref. c fig. 4-04) to the desired position: the amount of rinse-aid dispensed is proportional to the position of this selector. Make sure that the minimum amount of rinse-aid (selector turned to “1”) is approximately 1 ml and the maximum amount (selector turned to “6”) is approximately 6 ml.

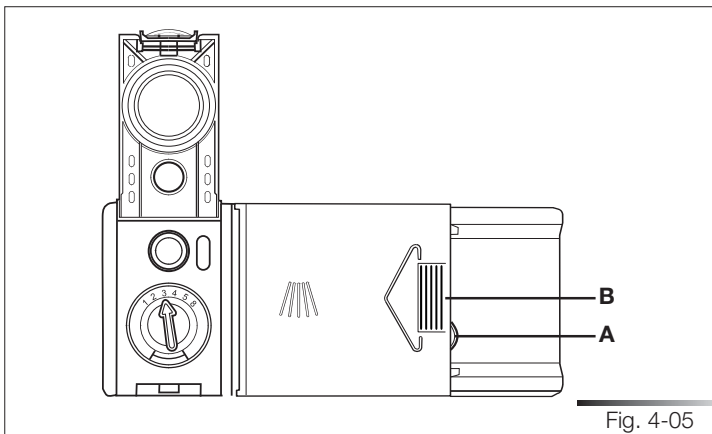
- To adjust the rinse-aid setting, open the cover (ref. A fig. 4-04).
- Then use a screwdriver to rotate the rinse aid selector to the desired position.
- Close the cover (ref. A fig. 4-04).
- The amount of rinse aid must be increased if the washed dishes appear dull or feature circular stains.
- If, on the other hand, the dishes are sticky or have white streaks, it is necessary to reduce the rinse aid setting.

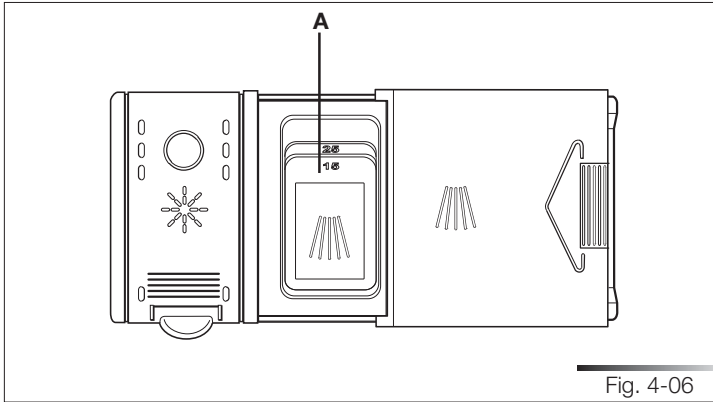
4.2.3 Adding the detergent



DO NOT INHALE OR SWALLOW DETERGENT AS THIS MAY CAUSE BURNS AND/OR PERMANENT DAMAGE TO THE NOSE, MOUTH AND THROAT, AND EVEN LEADING TO SUFFOCATION; KEEP DETERGENT AWAY FROM YOUR EYES. IF ONE OF THE ABOVE SITUATIONS OCCURS, SEEK MEDICAL ASSISTANCE IMMEDIATELY. PREVENT CHILDREN FROM COMING INTO CONTACT WITH DETERGENT; KEEP THEM AWAY FROM THE DISHWASHER WHEN THE DOOR IS OPEN AS IT MAY CONTAIN DETERGENT RESIDUES. FILL THE DISHWASHER JUST BEFORE STARTING THE WASHING CYCLE AND THEN KEEP THE DETERGENT OUT OF THE REACH OF CHILDREN.

To open the detergent dispenser cover, lightly press the relative button (ref. A fig. 4-05). Add the detergent and close the cover carefully, pushing down on the arrow (ref. B fig. 4-05). During the washing cycle, the dispenser will be opened automatically.





- When a program with hot prewash is selected (see program table in the “Description of Controls” manual), extra detergent must be placed in the cavity (ref. A fig. 4-06).
- **Only** use dishwasher-specific detergents. For optimal washing results it is important to use a good quality detergent.
- The detergent packs must be sealed and stored in a dry place to prevent the formation of lumps which may negatively affect washing results. Once opened the detergent packs should not be kept for too long, otherwise the detergent loses its effectiveness.
- Do not use detergents formulated for washing dishes by hand, because they produce a great deal of foam and may negatively affect the operation of the dishwasher.
- Add the correct amount of detergent. An insufficient amount of detergent will result in a partial removal of dirt from the dishes, whereas an excessive amount is wasteful and does not improve the washing results.
- The market offers liquid and powder detergents with differing chemical compositions, which may contain **phosphates**, or be phosphate-free but contain **natural enzymes**.
- Detergents containing **phosphates** are more effective against grease and starch at **temperatures above 60°C (140°F)**.
- Enzyme detergents, on the other hand, are also effective at lower temperatures (**from 40 to 55°C / from 104 to 131°F**) and are more easily biodegradable. With enzyme detergents it is possible to obtain at low temperatures comparable results to those which can only be achieved at **65°C (149°F)** using traditional detergents. For the safeguarding of the environment we recommend the use of **phosphate- and chlorine-free** detergents.
- When using detergent tabs, place them in the cutlery basket. The dispenser has been designed for powder or liquid detergent. As the cover does not

open completely during the washing cycle, tabs are not fully released (dissolved). This could generate the following problems:

- insufficient detergent released during the cycle and poor washing results;
- the detergent is compacted in the dispenser and is released during the final rinse cycle.



THE INTRODUCTION OF DETERGENT INTO THE RINSE AID DISPENSER, EVEN IN LIQUID FORM, WILL DAMAGE THE DISHWASHER.

4.3 **General warnings and recommendations**

Before using the dishwasher for the first time, it is advisable to read the following recommendations concerning dish types to be washed and their loading. There are generally no constraints on the washing of domestic dishes, but in certain cases it is necessary to take their characteristics into account. Before loading the dishes into the racks it is necessary to:

- remove coarse food remains: e.g. bones, fish-bones, etc. which may clog the filter or damage the wash pump;
- soak any pots or pans with burnt-on food remains on the bottom to facilitate removal, then load them into the RACK.

There is no need to pre-wash the dishes under running water before loading them into the racks since this only wastes water. **Correct loading of the dishes helps ensure optimal washing results.**

WARNING!

- make sure that the dishes are securely in place so that they cannot tip over or obstruct the rotation of the spray arms during the washing cycle;
- do not place very small objects in the rack as these could fall and obstruct the spray arms or the wash pump;
- containers such as cups, bowls, glasses and pots should always be loaded with the opening facing downwards and with any cavities at an angle, to allow the water to drain out;
- do not stack dishes or place them in such a way that they cover one other;
- do not place glasses too close together because they may knock against each other and break, or there might be staining at the point where they touch.
- When using detergent tabs, take care not to place bulky pans or dishes immediately underneath the detergent dispenser as otherwise the tab may fall onto a pan and not fully dissolve.

MAKE SURE that the items being washed are dishwasher-safe

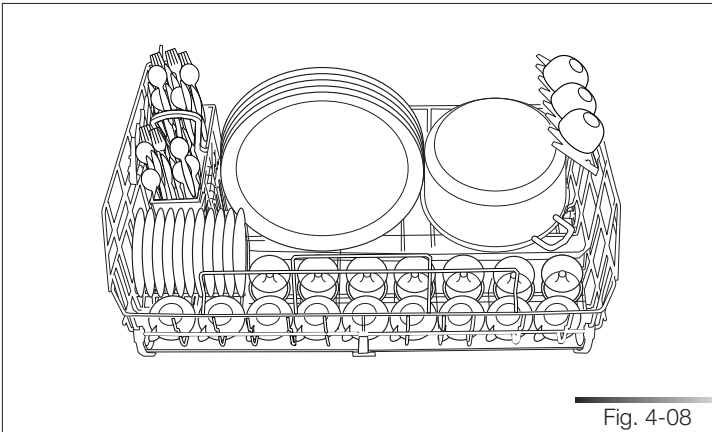
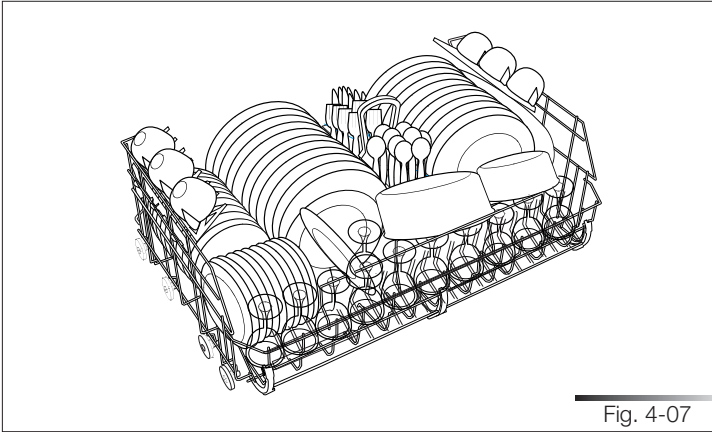
Items which are not dishwasher-safe:

- **Wooden dishes, pots or pans:** these may be damaged by the high washing temperatures.
- **Handcrafted items:** these are rarely suitable for washing in a dishwasher. The relatively high water temperatures and the detergents used may damage them.
- **Dishes and objects in copper, tin, zinc or brass:** these tend to stain.
- **Aluminum dishes:** items made from anodized aluminum may lose their color.
- **Silverware:** silver items may stain.
- **Glass and crystal:** in general, glass and crystal objects can be washed in the dishwasher. However, certain types of glass and crystal may become dull and lose their clearness after many washings. Therefore, for these items we recommend using the least aggressive program available (see “Description of controls” manual).
- **Decorated items:** the decorated objects available on the market are generally able to withstand washing in the dishwasher, although the colors may fade after a great many washes. If in doubt as to the fastness of the colors, it is advisable to wash just a few items at a time for approximately one month.

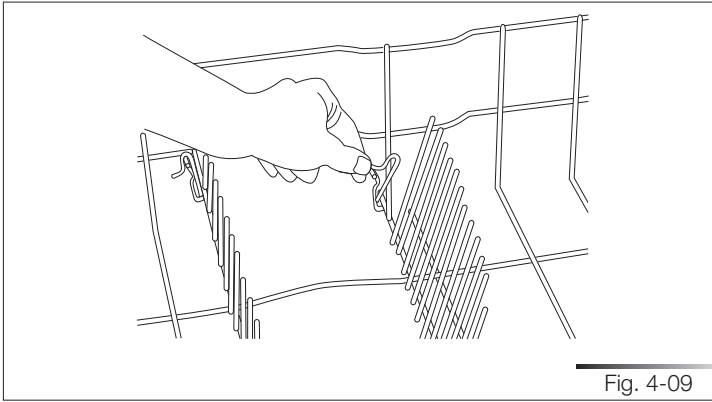
4.4 Using the rack

The dishwasher has a capacity of **12 place-settings**, including serving dishes.

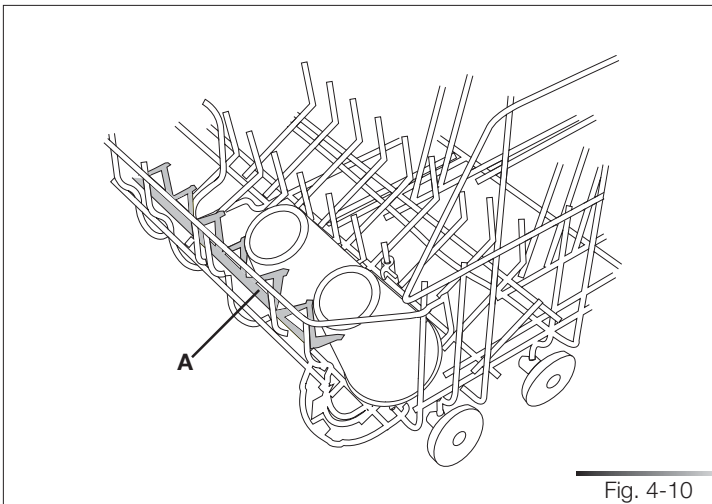
Examples of loading 12 place-settings in the rack (see figs. 4-07, 4-08).



To make the most of the space inside the rack when loading large items, it is equipped with tip-up supports for plates (see fig. 4-09).



The rack is fitted with a special support; if placed in the first position (ref. A fig. 4-10), it can hold normal glasses. In the second position, when locked with the special retainers (e.g.: ref. A fig. 4-11), the support can hold champagne flutes.



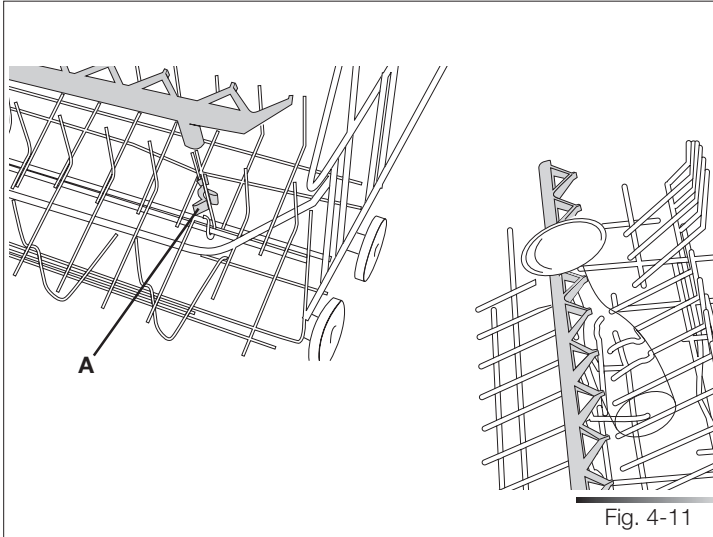


Fig. 4-11

4.4.1 Cutlery basket (see fig. 4-12, 4-13, 4-14)

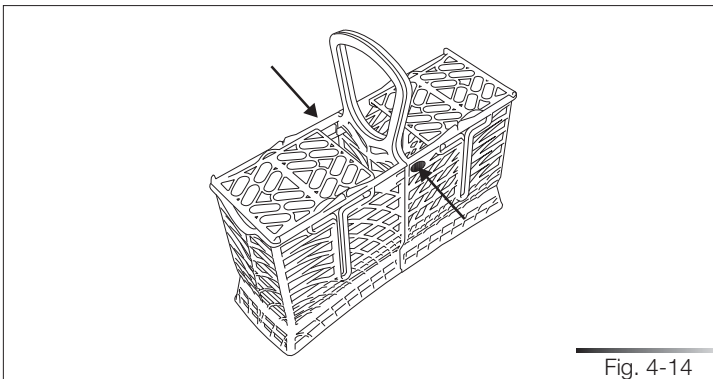
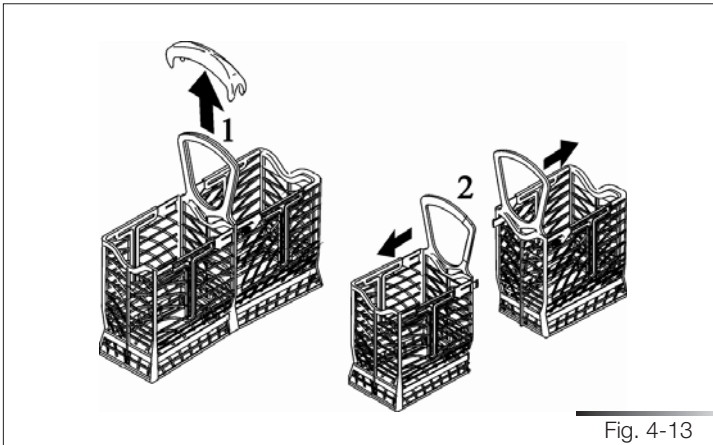
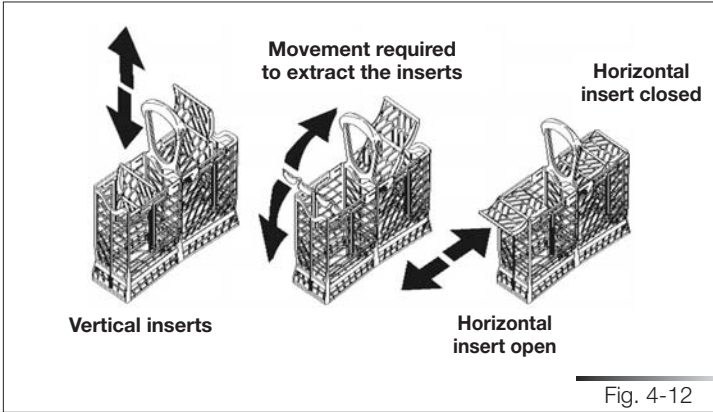
The cutlery basket can be removed to simplify unloading.

Arrange the cutlery in an orderly manner inside the basket, **with the handles pointing downwards and taking care not to injure yourself with the knife blades**. The basket is suitable for all types of cutlery, except those long enough to interfere with the upper spray arms.

Place **long items** (ladles, wooden spoons and cooking knives) that may interfere with the spray arms **in the rack making sure that knife tips do not protrude**.

The rack features an exclusive system of independent sliding tip-up supports, offering a choice of combinations to allow optimum use of the available space.

It can also be divided into two parts; simply release the retainer (ref. 1 fig. 4-13) on the handle and press the buttons (see fig. 4-14) allowing the two parts to be separated at the same time (ref. 2 fig. 4-13).



5 **CLEANING AND USER-MAINTENANCE**



BEFORE CARRYING OUT ANY WORK, ALWAYS DISCONNECT THE APPLIANCE FROM THE ELECTRICAL POWER SUPPLY.

5.1 **General warnings and recommendations**



NEVER USE ABRASIVE AND/OR CORROSIVE DETERGENTS TO CLEAN THE APPLIANCE.

Clean the outer surfaces and door-lining of the dishwasher regularly using a soft cloth moistened with a neutral detergent (not abrasive and/or corrosive) suitable for painted surfaces. Clean the door gaskets with a damp sponge. Periodically (once or twice a year) it is advisable to clean the tank and gaskets, using a soft cloth and water to remove any deposits.

Do not clean the controls with too much water as this may leak onto the electronic components and damage them.

After cleaning, dry the appliance with a soft, lint-free cloth.

If stainless steel surfaces are preset, clean them with a non-abrasive product specific for stainless steel. To prevent stains, a nebulizer may also be used, though sparingly and at a moderate pressure.

5.2 Cleaning the water intake filter

The water intake filter located at the outlet of the water supply tap needs to be cleaned periodically. After having closed the water supply tap, unscrew the end (ref. A fig. 5-01) of the water intake hose (use a pair of pliers, if necessary), and clean it delicately carefully, screw the water intake hose back into position (ref. A fig. 5-01) (use a pair of pliers, if necessary).

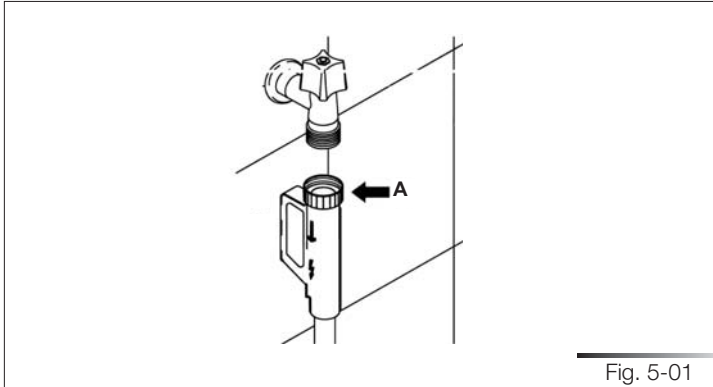


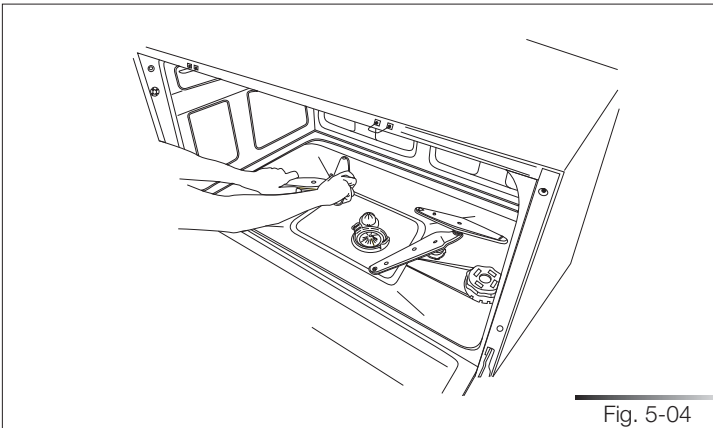
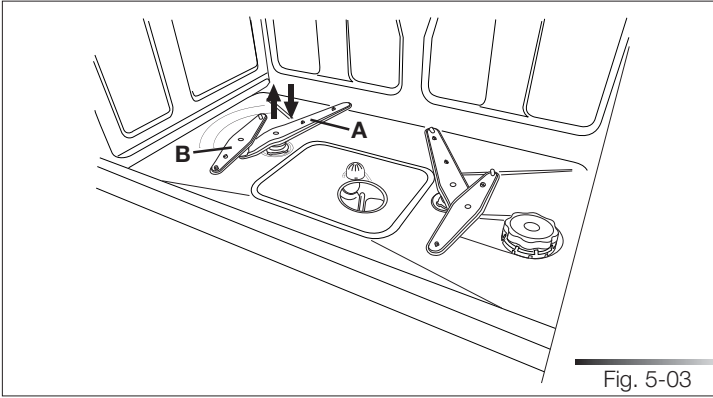
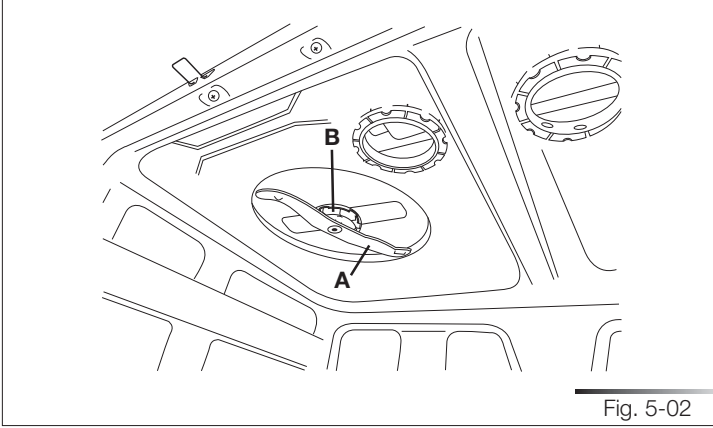
Fig. 5-01

5.3 Cleaning the spray arms

The spray arms can be easily removed for periodic cleaning of the nozzles, to prevent possible clogging. Wash them under running water (at room temperature) and carefully replace them in their seats, **checking that their rotary movement is in no way impeded**; if this is not the case, make sure they have been mounted properly.

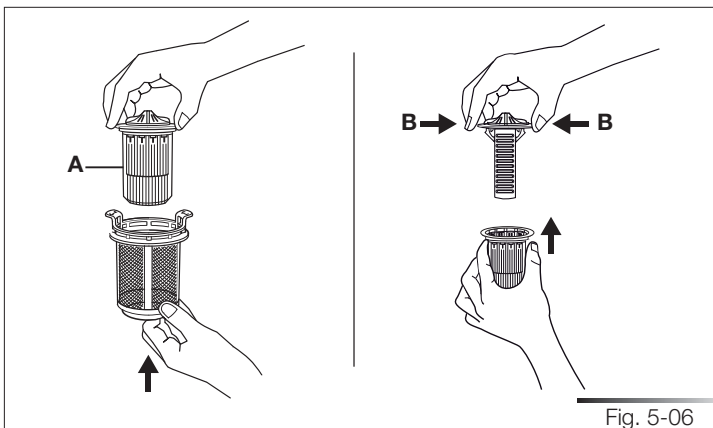
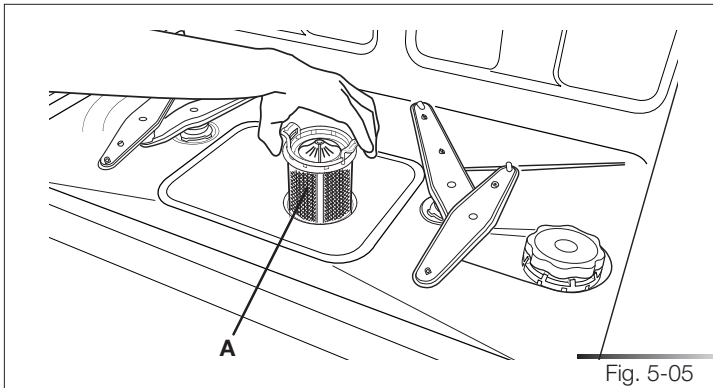
Removing the spray arms

- To remove an **upper** spray arm (ref. A fig. 5-02), unscrew the locking ring (ref. B fig. 5-02) by turning it clockwise. After cleaning, remount the spray arm in its seat and tighten the locking ring by turning it anti-clockwise.
- To remove a **lower** spray arm (ref. A fig. 5-03), simply lift it up, pulling by the central part (see fig. 5-03). To remove the **orbital** spray arm assembly (ref. B fig. 5-03), take hold of the lower arm (ref. A fig. 5-03) and pull the orbital unit upward (see fig. 5-04). After cleaning, remount the orbital spray arm in its seat and push it down slightly until it clicks into place on the lower spray arm. Then remount the lower spray arm into its seat and push it down slightly until it click into place (see fig. 5-03).



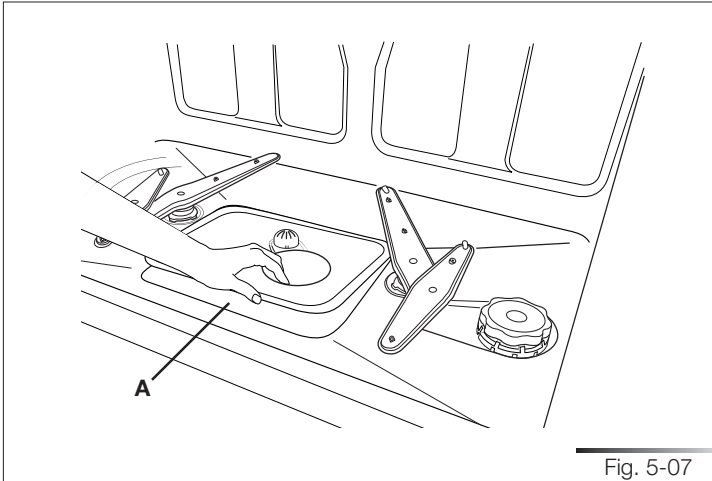
5.4 Cleaning the filter unit

- Periodically inspect the filter unit (ref. A fig. 5-05) and, if necessary, clean it under running water (at room temperature), using a stiff brush. To remove the filter, grip the tabs, turn anticlockwise and lift upwards;
- push the centre filter (ref. A fig. 5-06) from the underside to remove it from the micro-filter;
- separate the two parts which make up the plastic centre filter by pressing the body of the filter in the zone shown by the arrows (ref. B fig. 5-06);
- remove the centre filter by lifting it upwards.
- after cleaning, remount the filter unit, joining the two parts comprising the centre filter by pushing slightly until they click into place; insert the centre filter into the micro-filter (see fig. 5-06). Reposition the filter unit (ref. A fig. 5-05) into its seat, turning it clockwise until it locks.



5.5 *General warnings and recommendations for correct maintenance*

- Clean the filters **under running water** (at room temperature) using a stiff brush.
- **When removing the filter**, take care that there are no food residues on it. If any residues fall into the washing pit (ref. A fig. 5-07), they might block hydraulic components or foul the spray arm nozzles.
- It is essential to **thoroughly clean the filters** according to the above instructions: the dishwasher cannot function if the filters are clogged.
- **Carefully replace** the filters in their seats, to avoid damaging the wash pump.



Prolonged disuse

- Run the soak program **twice** in succession.
- **Unplug the power** cord from the socket.
- Leave **the door slightly open** in order to prevent the formation of unpleasant odors inside the washing tank.
- **Fill the rinse-aid dispenser.**
- **Shut off the water supply tap.**

Before starting the dishwasher after prolonged disuse

- Check that there are no deposits of sludge or rust inside the water pipe: if there are, allow the water to run from the water supply tap for a few minutes.
- **Plug the power cord** back into the socket.
- **Reconnect the water intake hose and open the tap again.**

5.6 Troubleshooting minor problems

In some cases it is possible to remedy minor problems by referring to the following instructions:

If the program fails to start, check that:

- the dishwasher is connected to the electrical power supply;
- there is no power failure;
- the water tap is open;
- the dishwasher door is properly closed.

If water remains inside the dishwasher, check that:

- the drain hose is not kinked;
- the drain siphon is not obstructed;
- the dishwasher filters are not clogged.

If the dishes do not come out clean, check that:

- the correct amount of detergent has been added;
- there is regenerating salt inside the special container;
- the dishes are being loaded correctly;
- the selected program is suitable for the dish types and their degree of soiling;
- all the filters are clean and positioned correctly;
- the spray arm nozzles are not obstructed;
- there is no object obstructing the rotation of the spray arms.

If the dishes fail to dry or remain dull, check that:

- there is rinse aid inside the special container;
- the rinse-aid dispenser setting is correct;
- the detergent used is of good quality and has not lost its effectiveness (for example, through incorrect storage, with the box left open).

If the dishes show signs of streaking, staining, etc., check that:

- the rinse aid dispenser setting is not too high.

If there are visible traces of rust inside the tank:

- the tank is made of steel, and therefore any rust marks are due to external elements (fragments of rust from the water pipes, pots, cutlery, etc.). Special products are commercially available to remove such marks.
- check that the amount of detergent being used is correct. Certain detergents can be more corrosive than others.
- check that the cap of the salt container is securely closed, and that the water softening setting is correct.



IF AFTER PERFORMING THE ABOVE TROUBLESHOOTING INSTRUCTIONS THE PROBLEM PERSISTS, CALL THE NEAREST TECHNICAL ASSISTANCE CENTRE.

WARNING: ANY OPERATIONS PERFORMED ON THE APPLIANCE BY UNAUTHORIZED PERSONS ARE NOT COVERED BY THE WARRANTY AND SHALL BE PAID FOR BY THE USER.

6 TECHNICAL DATA (SEE TAB. 6-01)

Width	85,8 cm (33-13/16")
Depth measured flush with the outer edge of the control panel	55 cm (21-21/32")
Height	57,8 cm (22-3/4")
Capacity	12 standard place-settings
Water supply pressure	min. 7 - max. 130 PSI (min. 0.5 – max. 9 bar)
Electrical characteristics	See rating plate
Tab. 6-01	

Contents

1	INTRODUCTION.....	3
2	SAFETY INFORMATION	5
3	INSTALLATION MATERIAL	8
3.1	Kit supplied with dishwasher	9
4	DIMENSIONS OF DISHWASHER	10
5	INSTALLATION AND HOOK-UP	11
5.1	Leveling.....	12
5.2	Connections.....	13
5.2.1	Connecting to the water supply.....	14
5.2.1.1	Connecting to the water tap.....	15
5.2.1.2	Connecting the drain hose	17
5.2.2	Electrical connections and warnings.....	22
5.3	Commissioning	23
5.4	Testing	35

1 INTRODUCTION

Thank you for choosing one of our products. To install this dishwasher correctly and safely, please read this manual carefully. The manual is divided into sections giving you a step-by-step guide to installation of the appliance. The texts are easy to understand and are complete with detailed illustrations. This user-friendly manual will provide answers to all your questions about installation of the dishwasher.

This manual comprises the following sections:

INTRODUCTION: general information about the manual.




WARNINGS: a list of warnings concerning safety during installation.

*INSTALLATION INSTRUCTIONS: for the **qualified technician** who must carry out the installation, hook-up and testing of the appliance.*

Nomenclature of figures and tables:

The progressive number of each figure is shown in the bottom right-hand corner of the relative box. An example of a progressive number is “Fig. 4-01”, where the first number (4) indicates the section to which the figure belongs, while the second number (01) indicates the progressive number of the figure in section 4 (Fig. 4-01 is the first figure in section 4). The tables are numbered in the same way, bearing in mind that “Tab.” is used instead of “Fig.” (e.g.: Tab. 4-01 is the first table in section 4). If a table occupies more than one page, a letter is added after the progressive number (e.g.: “Tab. 4-01a”, Tab. 4-01b”).

Symbols used in this manual (see tab. 1-01)

	DANGER. This symbol highlights information and warnings which, if not observed, may compromise personal safety or damage the appliance.
	DANGER OF ELECTROCUTION. This symbol highlights information and warnings of an electrical nature which, if not observed, may compromise personal safety or damage the appliance.
	This symbol highlights general information and warnings.
Tab. 1-01	

2 SAFETY PRECAUTIONS



THIS MANUAL FORMS AN INTEGRAL PART OF THE APPLIANCE AND MUST THEREFORE BE KEPT INTACT TOGETHER WITH THE MACHINE. BEFORE USING THE APPLIANCE, CAREFULLY READ ALL THE INSTRUCTIONS CONTAINED IN THIS MANUAL. INSTALLATION MUST BE PERFORMED BY A QUALIFIED TECHNICIAN, IN COMPLIANCE WITH THE REGULATIONS IN FORCE. THIS APPLIANCE IS INTENDED FOR DOMESTIC USE, AND COMPLIES WITH THE DIRECTIVES CURRENTLY IN FORCE, INCLUDING THE PREVENTION AND ELIMINATION OF RADIO FREQUENCY INTERFERENCE. THE APPLIANCE IS DESIGNED FOR THE FOLLOWING PURPOSE: **WASHING AND DRYING OF DISHES**; ANY OTHER USE SHALL BE CONSIDERED IMPROPER. **THE MANUFACTURER DECLINES ALL RESPONSIBILITY FOR USES OTHER THAN THOSE DESCRIBED ABOVE.**



INSTALLATION, REPAIRS AND SERVICING MUST BE PERFORMED BY QUALIFIED AND AUTHORIZED TECHNICIANS. AS WELL AS INVALIDATING THE WARRANTY, WORK CARRIED OUT BY UNAUTHORIZED PERSONS MAY GENERATE HAZARDS. INSTALLATION MUST BE PERFORMED IN COMPLIANCE WITH ALL THE DIRECTIVES IN FORCE IN THE COUNTRY OF INSTALLATION AND, IF THESE DO NOT EXIST: IN THE UNITED STATES THE NATIONAL ELECTRIC CODE; IN CANADA THE CANADIAN ELECTRIC CODE C22.1 - LATEST EDITION/PROVINCIAL AND MUNICIPAL CODES AND/OR LOCAL CODES.



THE NAME PLATE FEATURING THE TECHNICAL DATA, SERIAL NUMBER AND MARKINGS IS VISIBLY POSITIONED ON THE INNER EDGE OF THE DOOR. **THE NAMEPLATE ON THE INNER EDGE OF THE DOOR MUST NEVER BE REMOVED.**



THIS APPLIANCE IS NOT SUITABLE FOR USE ON BOATS, CARAVANS OR THE LIKE. DISHWASHERS CERTIFIED FOR DOMESTIC USE ARE NOT SUITABLE FOR AUTHORISED FOOD FACTORIES.



CHECK THAT THE VOLTAGE, FREQUENCY AND PROTECTION OF THE DOMESTIC MAINS POWER SUPPLY MATCH THE RATINGS ON THE NAME PLATE OF THE APPLIANCE.



TWO PEOPLE WEARING SAFETY GLOVES ARE REQUIRED TO LIFT THE DISHWASHER.



DO NOT LEAVING DISCARDED PACKAGING MATERIALS UNSUPERVISED WITHIN THE HOME. SEPARATE THE VARIOUS PACKAGING MATERIALS AND TAKE THEM TO THE NEAREST SORTED WASTE COLLECTION CENTRE. KEEP CHILDREN, PHYSICALLY AND/OR MENTALLY IMPAIRED ADULTS, AND ANIMALS AWAY FROM PACKAGING WASTE; DANGER OF SUFFOCATION.



BEFORE PROCEEDING WITH INSTALLATION, DISCONNECT THE MAINS POWER SUPPLY FROM THE WORK AREA.



DURING INSTALLATION, TAKE CARE NOT TO INJURE YOURSELF ON THE SHARP EDGES OF THE APPLIANCE; WEAR SAFETY GLOVES.



THE APPLIANCE MUST BE PROVIDED WITH A GROUND CONNECTION IN ACCORDANCE WITH THE ELECTRICAL SAFETY REGULATIONS IN FORCE. IF IN DOUBT, HAVE THE SYSTEM CHECKED BY A QUALIFIED ELECTRICIAN.

THE MANUFACTURER DECLINES ALL RESPONSIBILITY FOR DAMAGE TO PERSONS OR PROPERTY RESULTING FROM THE FAILURE TO GROUND THE APPLIANCE OR FROM A DEFECTIVE GROUND CONNECTION.



DO NOT USE APPLIANCES WHICH HAVE BEEN DAMAGED DURING TRANSIT! IF IN DOUBT, CONSULT YOUR DEALER. THE APPLIANCE MUST BE INSTALLED AND CONNECTED IN ACCORDANCE WITH THE INSTRUCTIONS PROVIDED BY THE MANUFACTURER OR BY A QUALIFIED TECHNICIAN.



DO NOT OPERATE THE DISHWASHER UNLESS ALL THE OUTER PANELS HAVE BEEN POSITIONED CORRECTLY.

IMMEDIATELY AFTER INSTALLATION, BRIEFLY TEST THE APPLIANCE FOLLOWING THE INSTRUCTIONS INDICATED BELOW. IF THE DISHWASHER FAILS TO OPERATE CORRECTLY, DISCONNECT IT FROM THE ELECTRICAL POWER SUPPLY AND CALL THE NEAREST TECHNICAL SERVICE CENTRE. **DO NOT ATTEMPT TO REPAIR THE APPLIANCE.**



DO NOT USE EXTENSION CORDS, ADAPTORS OR SHUNT CONNECTIONS IN ORDER TO AVOID THE POSSIBILITY OF OVERHEATING OR BURNING, WITH CONSEQUENT FIRE HAZARD.



THE MANUFACTURER DECLINES ALL RESPONSIBILITY FOR DAMAGE TO PERSONS, ANIMALS OR PROPERTY RESULTING FROM FAILURE TO OBSERVE THE ABOVE PRECAUTIONS, FROM TAMPERING WITH EVEN A SINGLE COMPONENT OF THE APPLIANCE, OR FROM THE USE OF UNORIGINAL SPARE PARTS.

IF IN DOUBT ABOUT THE CONTENTS OF THIS MANUAL, CONTACT THE TECHNICAL ASSISTANCE SERVICE.

3 INSTALLATION MATERIAL

Per eseguire correttamente l'installazione della lavastoviglie, sono necessari i seguenti materiali:

- Philips screwdriver (ref. A fig. 3-01);
- spirit level (ref. B fig. 3-01);
- tape measure (ref. C fig. 3-01);
- plumbing pliers (ref. D fig. 3-01);
- pencil (ref. E fig. 3-01);
- safety gloves (ref. F fig. 3-01);
- drill (ref. G fig. 3-01).

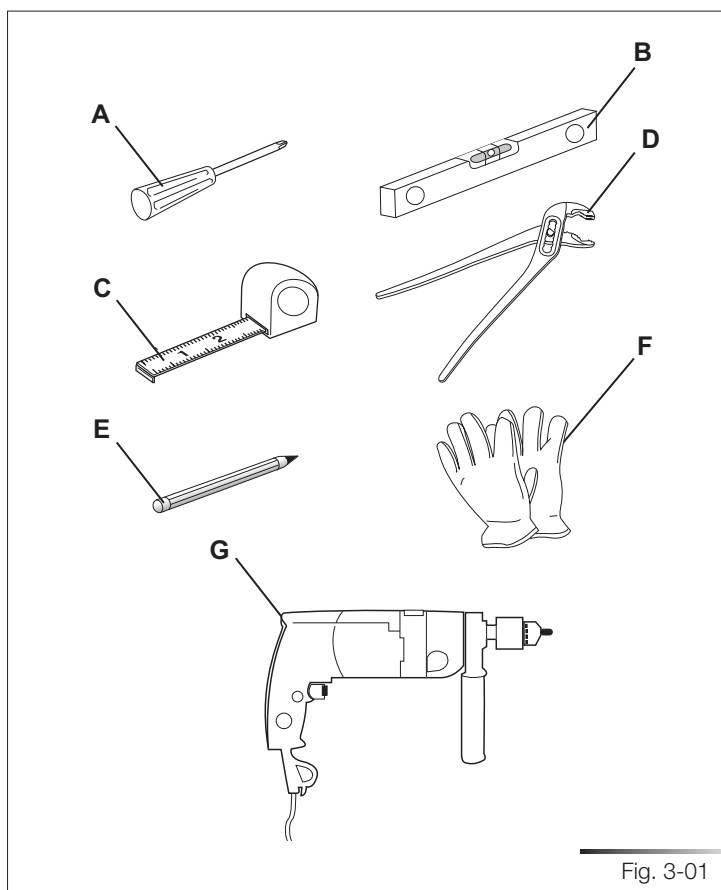


Fig. 3-01

3.1 Kit supplied with dishwasher

The kit supplied with the dishwasher comprises:

- adhesive steam guard (ref. A fig. 3-02);
- 1 template for door panel (ref. B fig. 3-02);
- 2 aluminium hooks for upper door panel (ref. C Fig. 3-02);
- 2 plastic hooks for lower door panel (ref. D Fig. 3-02);
- 2 shims (ref. E Fig. 3-02);
- 12 screws for securing the upper and lower door panel hooks (ref. F Fig. 3-02);
- 2 screws for securing the upper door panels (ref. G Fig. 3-02);
- 2 screws for securing the dishwasher to the adjacent walls (ref. H Fig. 3-02);
- 2 screw caps (ref. I Fig. 3-02).

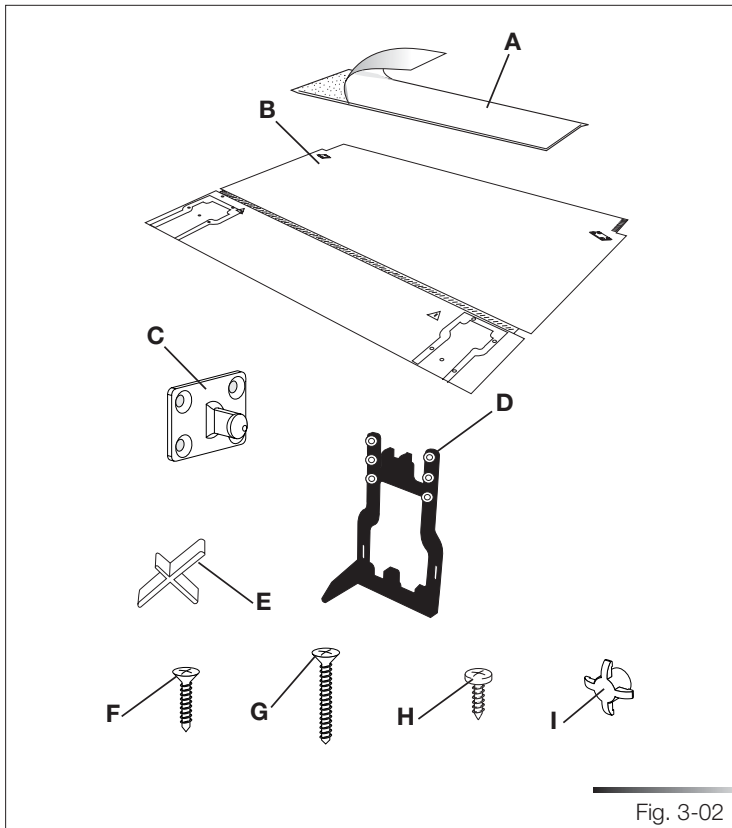


Fig. 3-02

4 DIMENSIONS OF DISHWASHER (SEE FIG. 4-01)

Model	A (height)	B (width)	C (depth)
STO905	578 mm (22-3/4")	859 mm (33-13/16")	550 mm (21-21/32")

Tab. 4-01

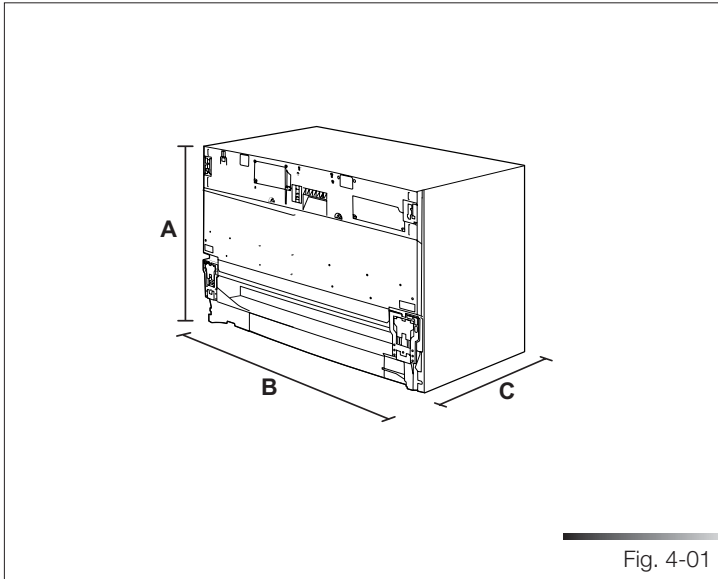


Fig. 4-01

5 INSTALLATION AND HOOK-UP



DURING INSTALLATION, TAKE CARE NOT TO INJURE YOURSELF ON THE SHARP EDGES OF THE APPLIANCE.

Remove the polystyrene rack blocks. Position the appliance in the chosen installation position. The sides and rear of the appliance can lie against kitchen units or walls. If the dishwasher is installed next to a heat source, separate it with a heat insulating panel in order to prevent overheating and malfunctions. To assure stability, only install built-in appliances under continuous worktops, securing them to the adjacent kitchen units or worktop with screws.



*BUILDING-IN A DISHWASHER UNDERNEATH A CERAMIC HOB IS **ABSOLUTELY FORBIDDEN**. A DISHWASHER CAN BE BUILT-IN UNDERNEATH A CONVENTIONAL HOB PROVIDED THERE IS **NO BREAK** IN THE KITCHEN WORKTOP, AND THE DISHWASHER AND HOB ARE **INSTALLED AND SECURED CORRECTLY**, SO THAT **NO HAZARDS ARE GENERATED**.*



MAKE SURE THE DISHWASHER HAS BEEN CORRECTLY INSTALLED AND GROUNDED BY A QUALIFIED FITTER. THIS SAFETY REQUIREMENT MUST BE MET. IN CASE OF DOUBT, CALL IN A QUALIFIED FITTER. THE MANUFACTURER DECLINES ALL RESPONSIBILITY FOR DAMAGE TO PERSONS OR PROPERTY RESULTING FROM THE FAILURE TO GROUND THE APPLIANCE OR FROM A DEFECTIVE GROUND CONNECTION.



BEFORE PROCEEDING WITH INSTALLATION, DISCONNECT THE MAINS POWER SUPPLY FROM THE WORK AREA.

Only for free-standing models

- It is strictly forbidden to mount a hob over a free-standing dishwasher.
- If the appliance is not in a niche and can therefore be accessed on one side, cover the door hinge area for safety reasons (cutting hazard). Covers are available as accessories from specialized retailers or from the Technical Service Centre.
- To build in the dishwasher, purchase the **relative kit** from specialized retailers or from the Technical Service Centre.

5.1 Leveling

Before pushing the dishwasher into position, make sure the supporting surface is perfectly level; check with a spirit level (ref. A Fig. 5-01). If necessary, adjust the supporting surface of the dishwasher in order to allow correct operation. After doing this, push in the dishwasher.

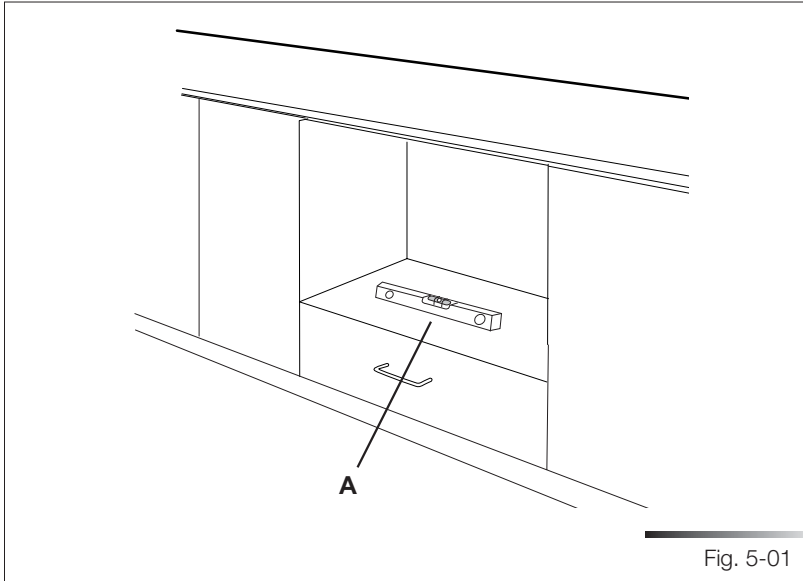


Fig. 5-01

5.2 Connections

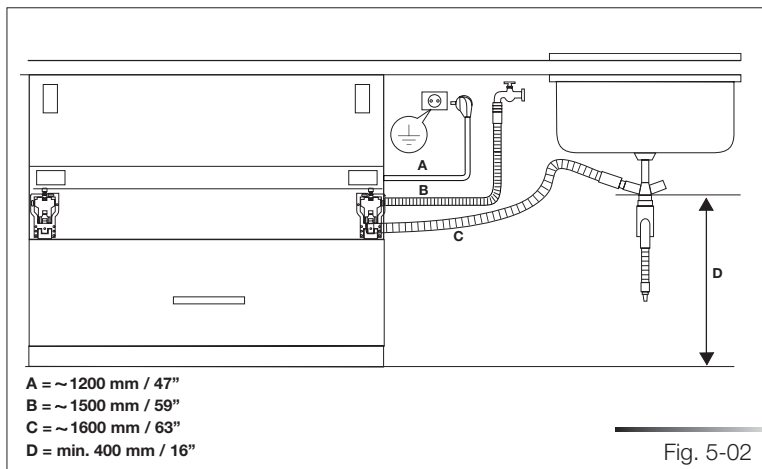
Install the dishwasher so as to allow ease of access to the electrical and hydraulic connections through the adjacent unit. These connections must never be behind the dishwasher.

The inlet and drain hoses can be pointed in all directions. make sure that they are not bent, crushed or too tight. Tighten the ring nut after pointing the hoses in the required direction.

Figure 5-02 indicates the distances to maintain between the dishwasher and the various connections.



FIRE HAZARD!
DO NOT COVER OR CRUSH THE CORD PLUG.



A through hole with a diameter of at least 8 cm (5/32") is required to pass the hoses and power cord (ref. A fig. 5-03).

Make sure there are no rough edges that could damage the power cord or hoses. If the dishwasher is installed in a metal unit, protect the edge of the through hole for the hoses and power cord with a gasket. Do not use extension cords when making the electrical connection as these do not guarantee safety.



ATTENTION!

INSTALLING THE DISHWASHER IN A NARROW SPACE MAY BEND OR CRUSH THE POWER CORD. TAKE GREAT CARE IN ORDER TO REDUCE THE POSSIBILITY OF DAMAGING THE POWER CORD WHEN INSTALLING OR REMOVING THE APPLIANCE.

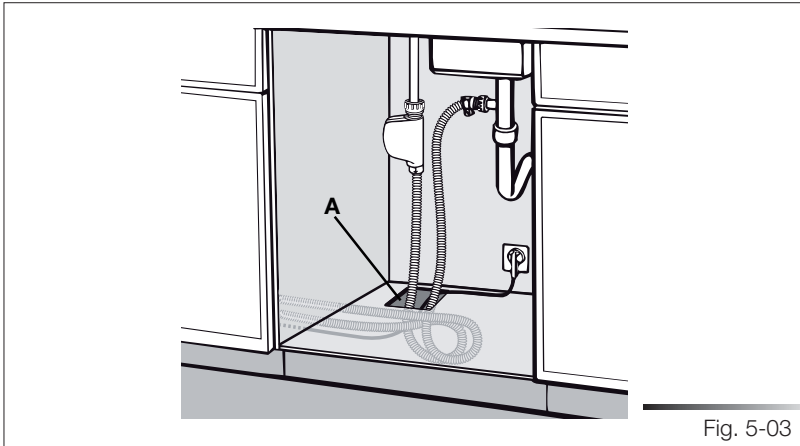


Fig. 5-03

5.2.1 Connecting to the water supply



PREVENTING THE RISK OF CLOGGING OR DAMAGE: IF THE WATER PIPE IS NEW OR HAS NOT BEEN USED FOR A LONG TIME, BEFORE CONNECTING TO THE WATER SUPPLY CHECK THAT THE WATER IS CLEAR AND FREE OF IMPURITIES, TO PREVENT DAMAGE TO THE APPLIANCE. **THE DISHWASHER MUST ALWAYS BE CONNECTED TO THE WATER SYSTEM WITH NEW HOSES; OLD OR USED HOSES MUST NEVER BE RE-USED.**

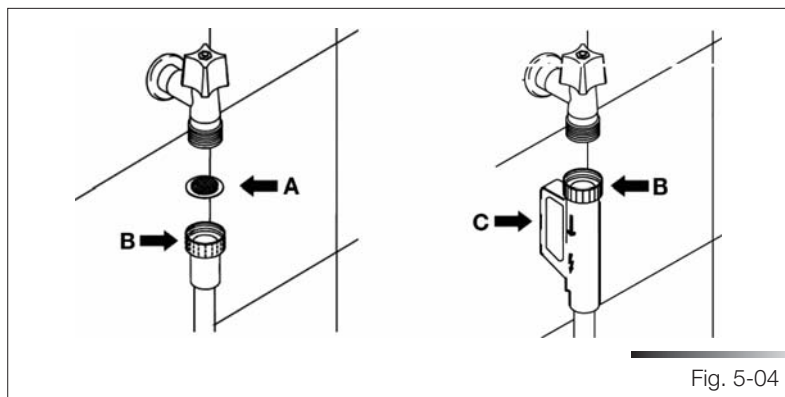
5.2.1.1 Connecting to the water tap

Connect the inlet hose to a threaded $\frac{3}{4}$ " gas cold water tap, fitting the supplied filter (ref. A fig. 5-04). **Firmly secure the hose by tightening the relative ring nut with your hands (ref. B fig. 5-04); finish by tightening another $\frac{1}{4}$ turn using a pair of plumbing pliers. For models fitted with ACQUASTOP (ref. C fig. 5-04) the filter is already present in the threaded ring nut. The dishwasher can be filled with water at a temperature of less than 60°C (140°F).**

If the appliance is filled with hot water, washing times will be reduced by about 20 minutes, but efficiency will be slightly impaired. Make the connection to the domestic hot water tap using the same methods described for connecting the appliance to the cold water tap.

- Recommended temperature: 49°C (120°F), max. 60°C (140°F).
- Recommended water pressure: 7 -130 PSI (0.5 - 9 bar).
If the pressure is too high, fit a pressure reducer.

A rubber hose connected to a sink spray may burst if installed on the same pipes feeding the dishwasher. If your sink is fitted with this accessory, remove the hose and plug the hole.

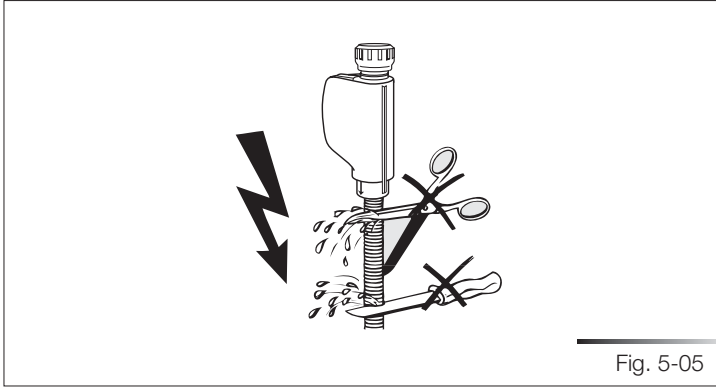


Do not cut the inlet hose (see fig. 5-05).

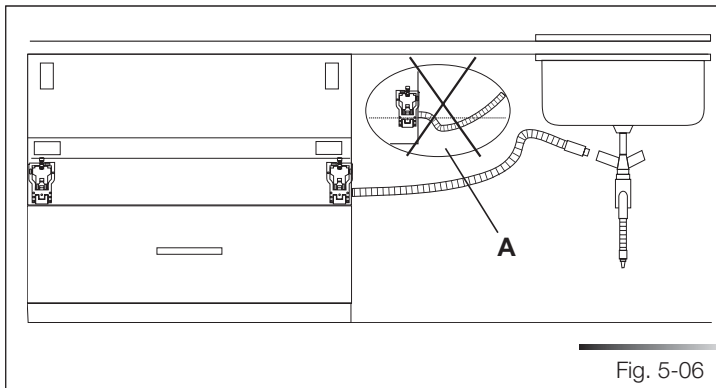
If the hose is cut, the dishwasher will not work, water will leak and you may be injured.

If the hose is too long, wind it up tidily and place it behind the appliance.

The cable harness and electrical components must not come into contact with the hydraulic system and the water inlet and drain hoses.



When connecting the dishwasher drain hose to the sink make sure that the hose is not bent (ref. A fig. 5-06) in order to prevent cracks or breakages that could damage it.



5.2.1.2 Connecting the drain hose

Connecting to a drain

Insert the relative hose into a drain with a minimum diameter of **4 cm (1-37/64")** (ref. A fig. 5-07); alternatively, place the hose on the sink (ref. B fig. 5-07) using the supplied hose support (see fig. 5-08), but taking care to avoid obstructions or excessive curving. Make sure the hose cannot fall out. For this purpose, the hose support is fitted with a hole (ref. A fig. 5-08) which can be used to fix it to the wall or the tap with a piece of string. The free end must lie at a height ranging from of **30 to 100 cm (from 1-7/32" to 3-59/64")** (see fig. 5-07) and must never be immersed in water. If horizontal extension hoses with a maximum length of 3m are used, position the drain hose at a maximum height of **85 cm (3-11/32")** above the floor.

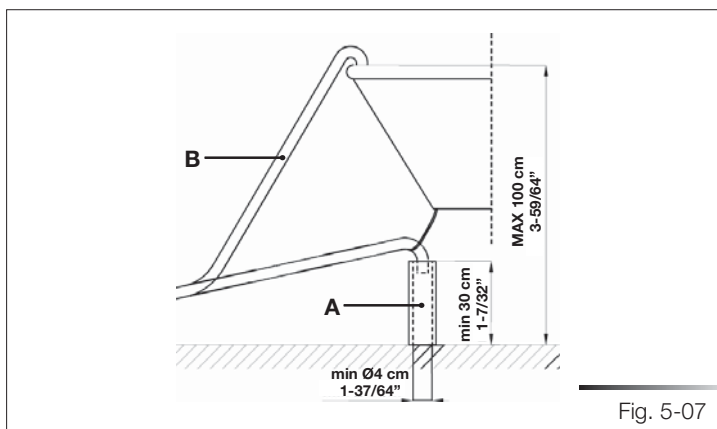


Fig. 5-07

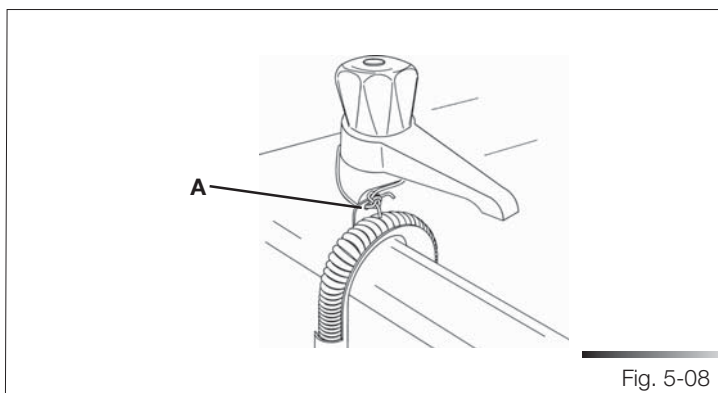


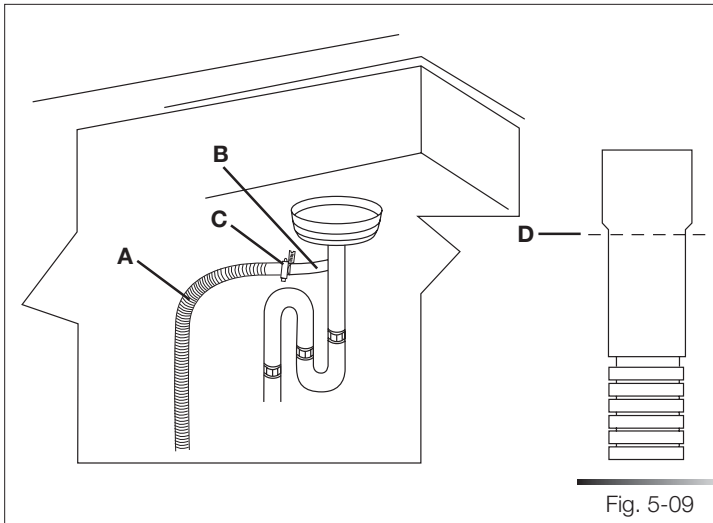
Fig. 5-08

Connecting to a “T” union of the drain circuit

MAKE THE CONNECTION UPLINE FROM THE SIPHON OF THE DRAIN LINE AND AT LEAST 400 mm (15-3/4”) ABOVE THE FLOOR ON WHICH THE DISHWASHER WILL BE INSTALLED.

1. Connect the dishwasher drain hose (ref. A fig. 5-09) to the “T” union (ref. B fig. 5-09) of the drain circuit using a 38 to 50 mm (1-1/2 to 2”) screw clamp* (ref. C fig. 5-09); if necessary, cut the end of the dishwasher drain hose (ref. D fig. 5-09) (do not cut the corrugated section).

* Available from any plumbing stockist



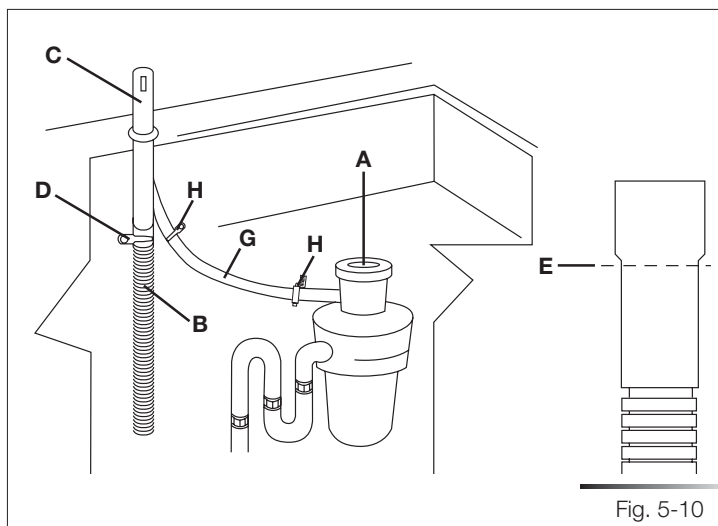
Connecting to a waste disposal unit with an air gap



MAKE THE CONNECTION UPLINE FROM THE SIPHON OF THE DRAIN LINE AND AT LEAST 400 mm (15-3/4") ABOVE THE FLOOR ON WHICH THE DISHWASHER WILL BE INSTALLED.

1. Remove the cover of the waste disposal unit (ref. A fig. 5-10).
2. Connect the dishwasher drain hose (ref. B fig. 5-10) to the air gap (ref. C fig. 5-10) using the wide spring clamp (ref. D fig. 5-10); if necessary, cut the end of the dishwasher drain hose (ref. E fig. 5-10) (do not cut the corrugated section). If the drain hose has been cut, use a 38 to 50 mm (1-1/2 to 2") screw clamp*.
3. To connect the air gap (ref. C fig. 5-10) to the waste disposal unit inlet (ref. F fig. 5-10), use a rubber union* (ref. G fig. 5-10) with spring or screw clamps* (ref. H fig. 5-10).

* Available from any plumbing stockist



Connecting to the air gap (no waste disposal unit)

MAKE THE CONNECTION UPLINE FROM THE SIPHON OF THE DRAIN LINE AND AT LEAST 400 mm (15-3/4") ABOVE THE FLOOR ON WHICH THE DISHWASHER WILL BE INSTALLED.

1. Connect the dishwasher drain hose (ref. A fig. 5-11) to the air gap (ref. B fig. 5-11) using the wide spring clamp (ref. C fig. 5-11); if necessary, cut the end of the dishwasher drain hose (ref. D fig. 5-11) (do not cut the corrugated section). If the drain hose has been cut, use a 38 to 50 mm (1-1/2 to 2") screw clamp*.
2. To connect the air gap (ref. B fig. 5-11) to the "T" union (ref. E fig. 5-11) of the drain line, use a rubber union* (ref. F fig. 5-11) with spring or screw clamps* (ref. G fig. 5-11).

* Available from any plumbing stockist

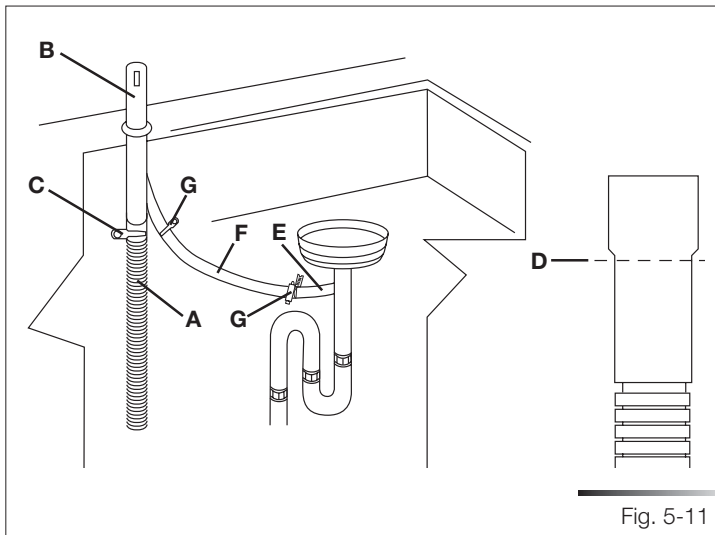


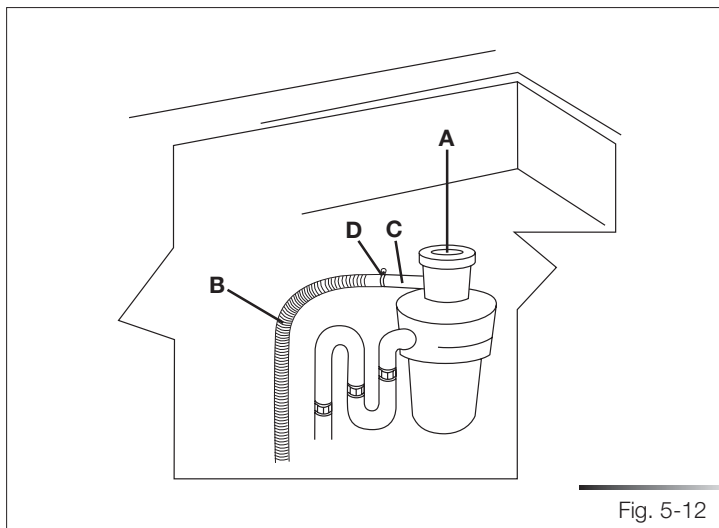
Fig. 5-11

Connecting to a waste disposal unit (no air gap)



MAKE THE CONNECTION UPLINE FROM THE SIPHON OF THE DRAIN LINE AND AT LEAST 400 mm (15-3/4") ABOVE THE FLOOR ON WHICH THE DISHWASHER WILL BE INSTALLED.

1. Remove the cover of the waste disposal unit (ref. A fig. 5-12).
2. Connect the dishwasher drain hose (ref. B fig. 5-12) to the waste disposal unit inlet (ref. C fig. 5-12), using the wide spring clamp (ref. D fig. 5-12).



5.2.2 Electrical connections and warnings



CHECK THAT THE VOLTAGE AND THE FREQUENCY OF THE MAINS MATCH THE RATINGS ON THE NAME PLATE OF THE APPLIANCE POSITIONED ON THE INNER EDGE OF THE DOOR.



IN THE EVENT OF DAMAGE TO THE SUPPLY CORD, HAVE IT REPLACED BY THE MANUFACTURER OR AN AUTHORIZED TECHNICAL SERVICE CENTRE.

THIS APPLIANCE MUST BE GROUNDED. IN CASE OF A MALFUNCTION OF FAULT, THE GROUND REDUCES THE RISK OF ELECTROCUTION BY PROVIDING THE ELECTRICAL CURRENT WITH AN ALTERNATIVE, LESS RESISTANT PATH.



THIS APPLIANCE MUST BE GROUNDED. IN CASE OF A MALFUNCTION OF FAULT, THE GROUND REDUCES THE RISK OF ELECTROCUTION BY PROVIDING THE ELECTRICAL CURRENT WITH AN ALTERNATIVE, LESS RESISTANT PATH. THIS APPLIANCE IS FITTED WITH A SUPPLY CORD CONTAINING A GROUND WIRE AND PLUG. FIT THE PLUG INTO A SUITABLE SOCKET, INSTALLED AND GROUNDED IN COMPLIANCE WITH THE LAWS IN FORCE IN THE COUNTRY OF INSTALLATION.



BEFORE MAKING ELECTRICAL CONNECTIONS, DISCONNECT THE MAINS POWER SUPPLY FROM THE WORK AREA.

Grounding instructions

This appliance is fitted with a cord with ground wire and plug. Fit the plug into a suitable socket, installed and grounded in compliance with the laws in force in the country of installation.



CHECK THAT THE MAINS SUPPLY IN THE PLACE OF INSTALLATION COMPLIES WITH THE REGULATIONS IN FORCE IN THE COUNTRY OF USE, AND THAT IT IS CORRECTLY GROUNDED.



AN INCORRECTLY CONNECTED GROUND WIRE MAY GENERATE THE RISK OF ELECTROCUTION. IF IN DOUBT AS TO THE CORRECT GROUNDING OF THE APPLIANCE, CALL IN A QUALIFIED ELECTRICIAN OR THE TECHNICAL ASSISTANCE SERVICE. DO NOT CHANGE THE PLUG ATTACHED TO THE APPLIANCE. IF THE PLUG IS NOT SUITABLE FOR THE SOCKET, CALL IN A QUALIFIED ELECTRICIAN TO FIT A SUITABLE PLUG.

The plug at the end of the power cord and the corresponding socket must be of the same type and must conform to current regulations governing electrical appliances. The plug must be accessible after installation. **Never remove the plug by pulling on the wire.** If the power cord is damaged, have it replaced by the manufacturer or an authorized service centre.



DO NOT USE EXTENSION CORDS, ADAPTORS OR SHUNT CONNECTIONS IN ORDER TO AVOID THE POSSIBILITY OF OVERHEATING OR BURNING, WITH CONSEQUENT FIRE HAZARD.



IN THE EVENT OF DAMAGE TO THE SUPPLY CORD, HAVE IT REPLACED BY THE MANUFACTURER OR AN AUTHORIZED TECHNICAL SERVICE CENTRE IN ORDER TO AVOID ANY RISK.

5.3 Commissioning

Clean the underneath of the worktop lying over the dishwasher door (see fig. 5-13) and apply the adhesive steam guard, as shown in fig. 5-14. This guard protects the worktop from steam and condensation when the door of the dishwasher is opened at the end of the washing cycle.

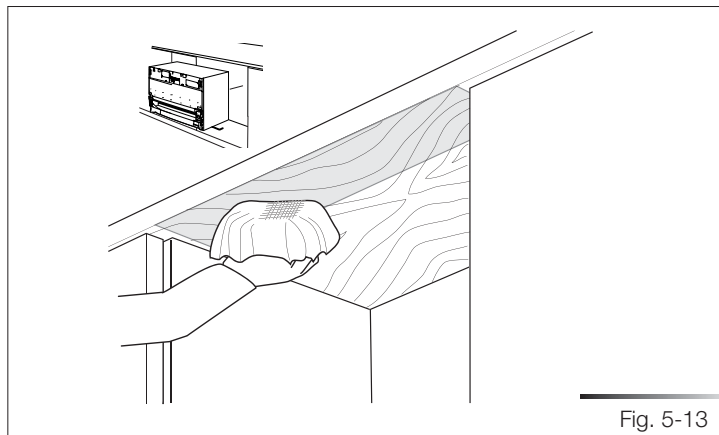
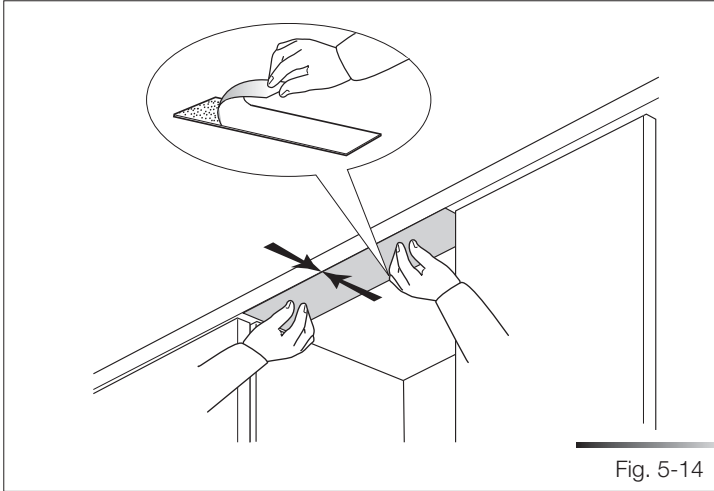


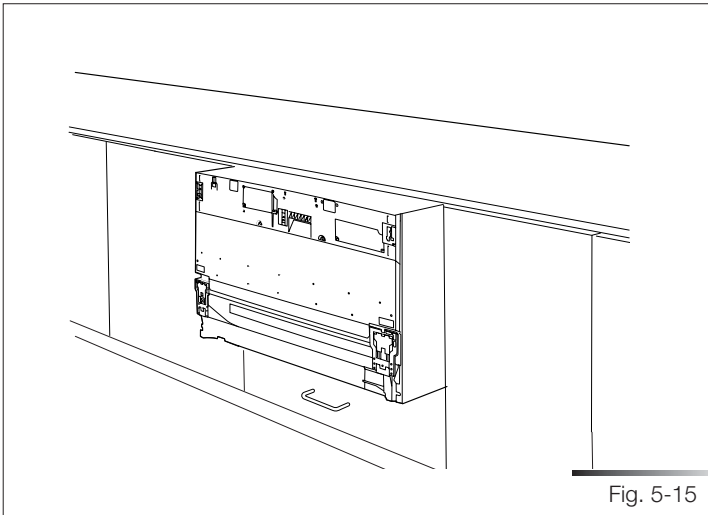
Fig. 5-13



Push the dishwasher into position, taking care not to twist or crush the power cord or hoses (see fig. 5-15).



TWO PEOPLE WEARING SAFETY GLOVES ARE NEEDED TO PUSH THE DISHWASHER INTO PLACE.



Mount the door panels.

Correctly align the panels on a flat surface and place the two 3 mm (0.12") shims between them (see fig. 5-16).



ATTENTION: THE DOOR PANELS MUST NOT EXCEED A CERTAIN WEIGHT AND HEIGHT, OTHERWISE THE DOOR WILL NOT OPEN CORRECTLY. THE UPPER DOOR PANEL MUST WEIGH FROM 2.2 kg TO 7.2 kg (FROM 4.85 TO 15.87 lb) AND HAVE A MINIMUM HEIGHT OF 358 mm (14-3/32"). THE LOWER DOOR PANEL MUST WEIGH FROM 1.5 TO 5 kg (FROM 3.3 TO 11 lb) AND BE 178 TO 360 mm HIGH (FROM 7-1/6" TO 14-11/64").

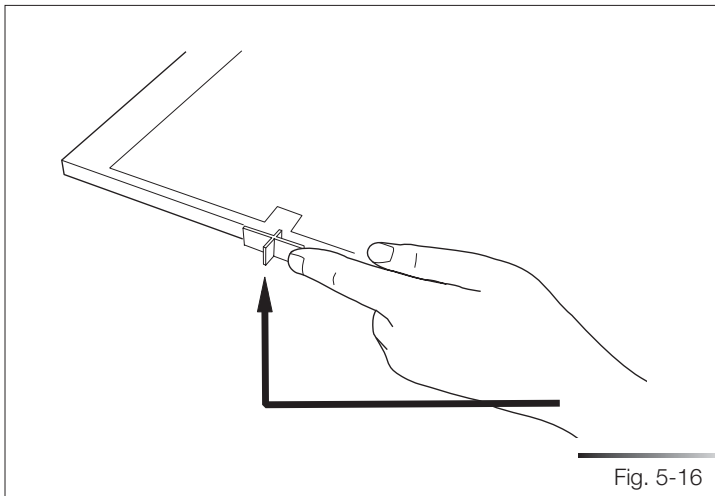
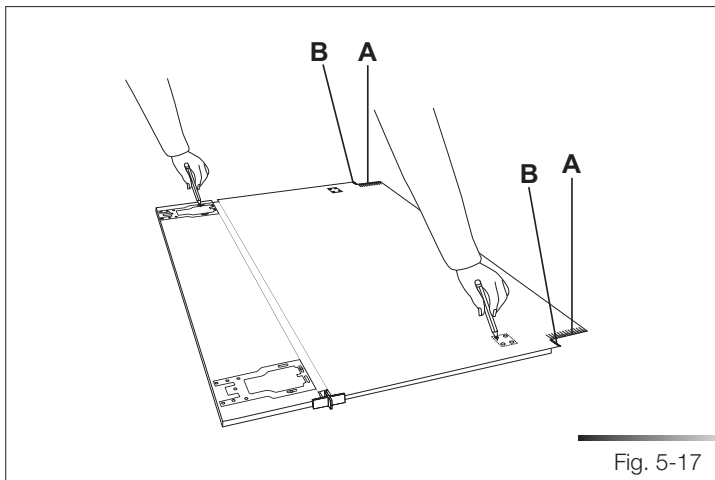


Fig. 5-16

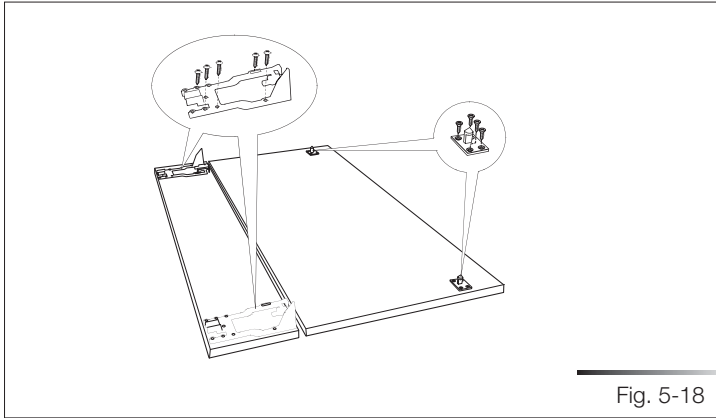
The template shows the reference marks (ref. A fig. 5-17) required to indicate any space created between the dishwasher door and the kitchen worktop: this space must be compensated by the upper door panel. Measure this distance and mark it with a pencil on relative reference marks of the template (ref. A fig. 5-17).

Then centre the upper panel on the template using the relative reference marks (ref. B fig. 5-11); position it at the height of the reference marks (see ref. A fig. 5. 17).

Mark the position of the door hooks with a pencil. Remove the template and use a drill with an appropriate bit to make holes at the points marked on the panels.

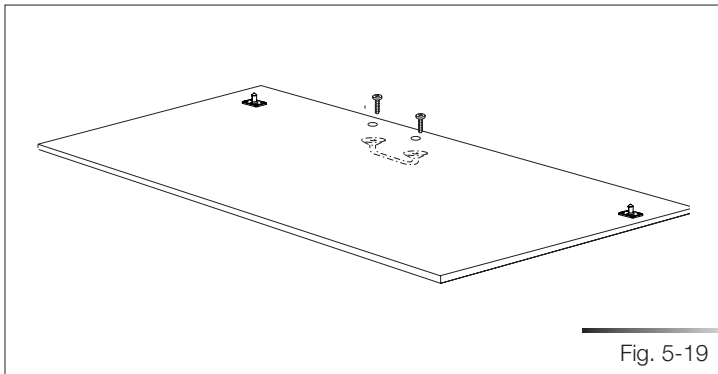


Use a suitable screwdriver to secure the four door hooks with the 12 supplied screws (see fig. 5-18) to the marked reference points. The aluminium hooks are for the upper door panel while the plastic ones are for the lower door panel.

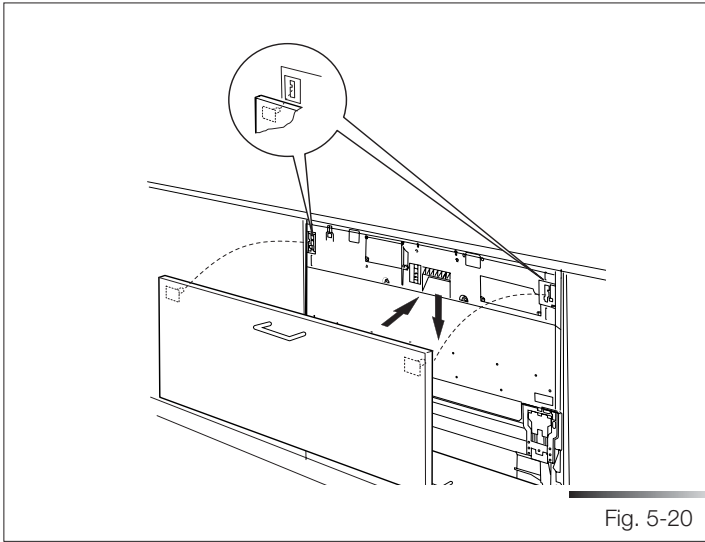


Drill holes for the panel handle using a drill with a suitable bit. Use the screwdriver to secure the door handle before hooking the panel to the dishwasher (see fig. 5-19).

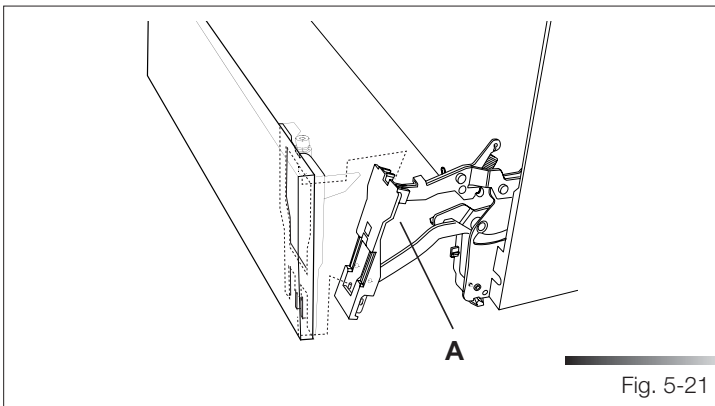
N.B.: the screws are not supplied.



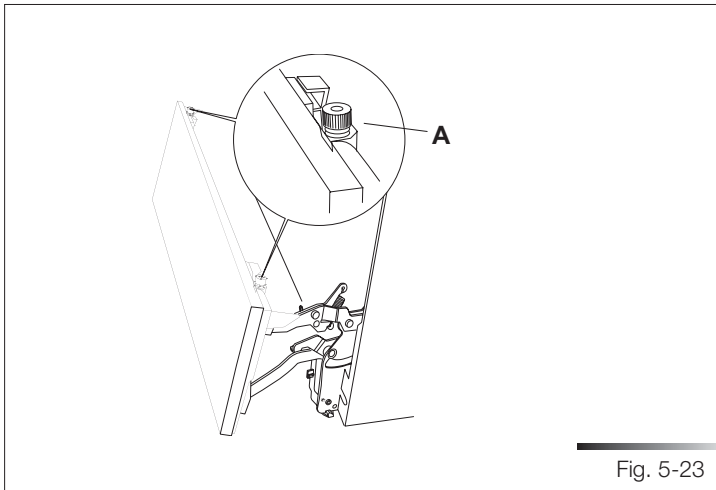
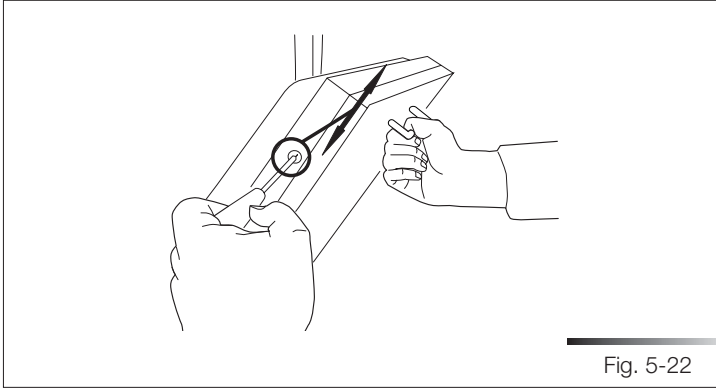
Attach the upper door panel: fit the hooks into their slots on the dishwasher and allow the panel to slide downwards and slip into place (see fig. 5-20).



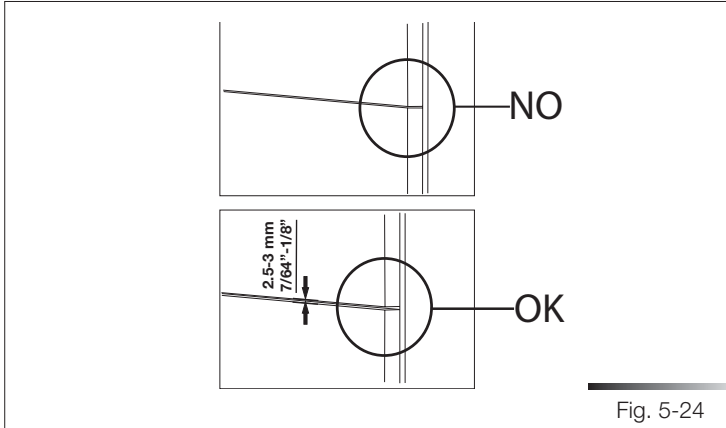
Take the lower panel and fix the hooks into their slots on the dishwasher (ref. A fig. 5-21) in the same way as the upper door panel, allowing the panel to slide downwards and slip into place. Do this with the upper door panel slightly open to allow the lower panel to slip in.



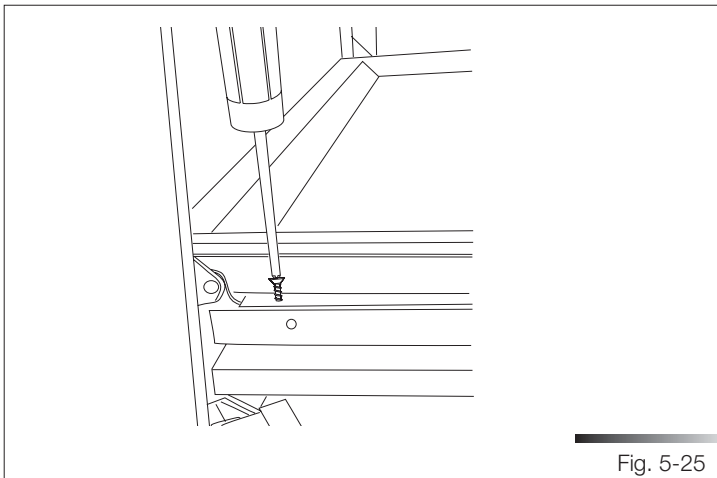
After performing opening and closing tests on the upper door panel, adjust both panels: adjust the upper one by turning the grey screw on the left-hand side of the door (see fig. 5-22); this screw must be adjusted using an appropriate screwdriver. Adjust the lower panel, instead, by turning the orange screw inside the panel at the top (ref. A fig. 5-23); to do this, simply turn it with your hand.

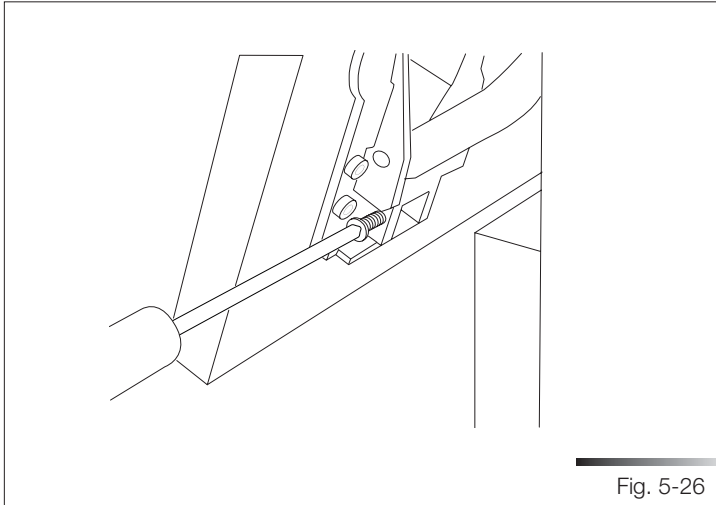


Make sure there is a minimum clearance of at least 2.5-3 mm ($7/64''$ - $1/8''$) (see fig. 5-24) between the upper panel and the lower panel so as to avoid possible friction between the two which would make it difficult to open the dishwasher door.



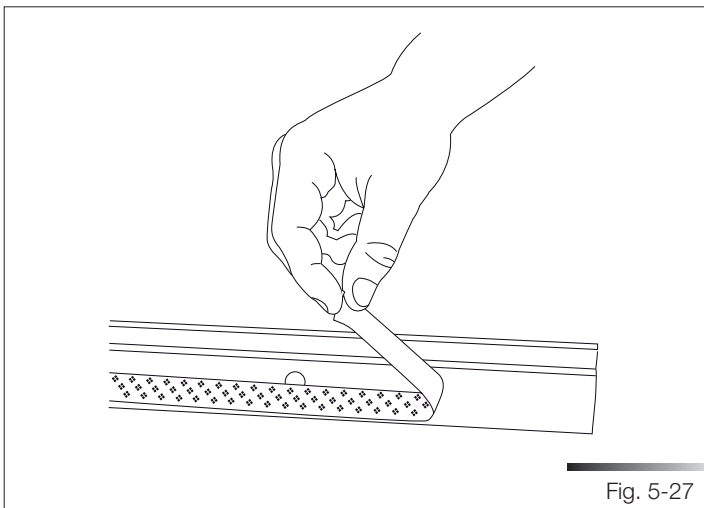
After adjusting the door panels, fix them to the dishwasher using a suitable screwdriver and the supplied screws (see fig. 5-25 for the upper panel and 5-26 for the lower panel).





Before securing the dishwasher to the adjacent units, attach the gaskets to the sides.

Remove the adhesive band on the gasket (see fig. 5-27).



Fix the gasket to the dishwasher, inserting it in the seat on the sides towards the front (see fig. 5-28), and making sure that the long side of the gasket, the one with the hole for inserting the screw, is attached to the outside of the dishwasher; the hole in the long side must match the hole in the dishwasher (see ref. A fig. 5-29). Make sure the gasket adheres perfectly to the dishwasher.

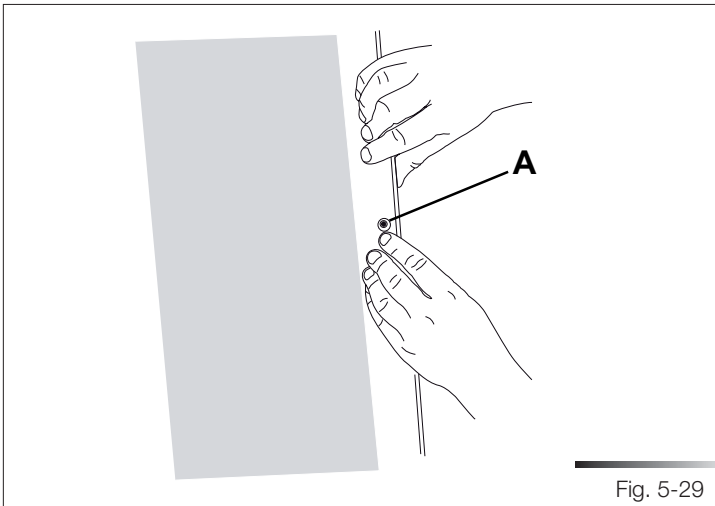
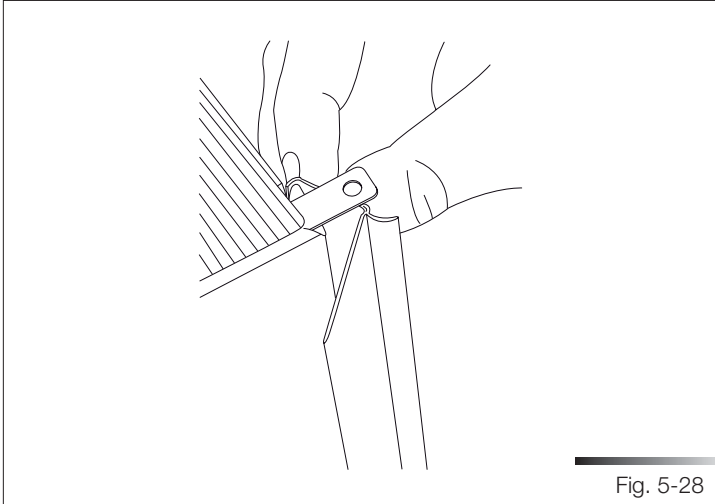
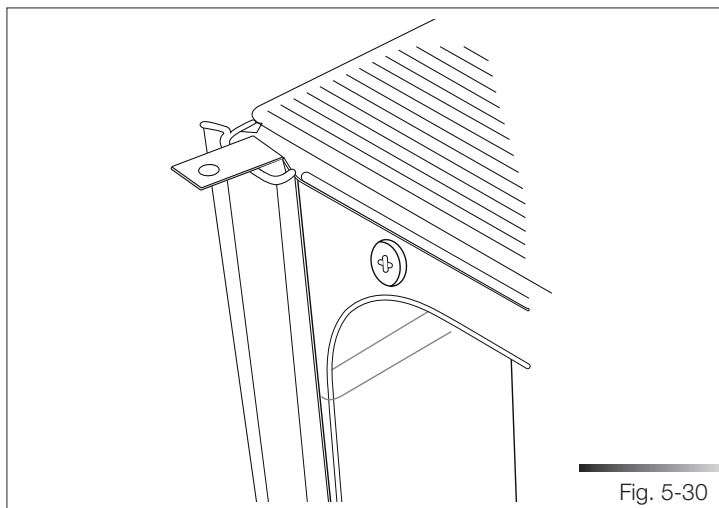
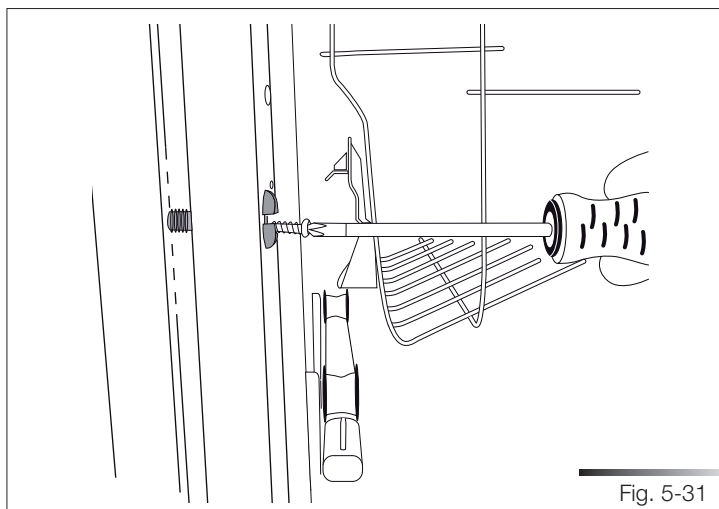


Fig. 5-30 shows the state of the dishwasher after the above operations are performed.



Tighten the supplied screws with a screwdriver (see fig. 5-31); this operation definitively fixes the dishwasher to the adjacent units; cover the side holes using the supplied plugs (see fig. 5-32).



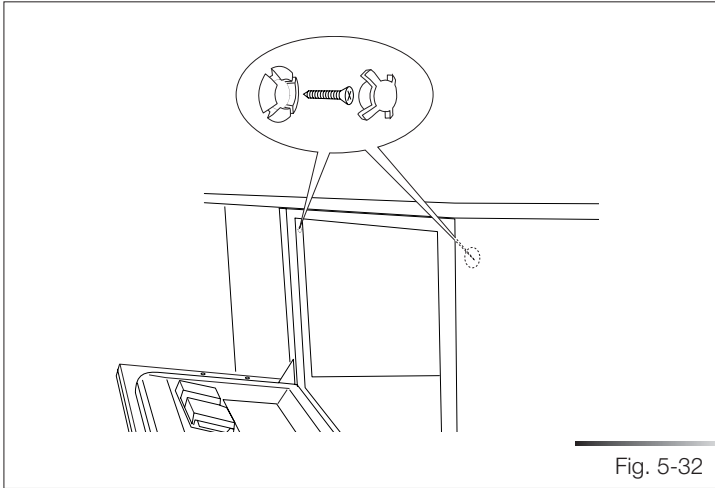


Fig. 5-32

Adjust the springs on the dishwasher door; use a screwdriver to adjust the tension of the springs on the right- and left-hand sides of the appliance (see fig. 5-33).

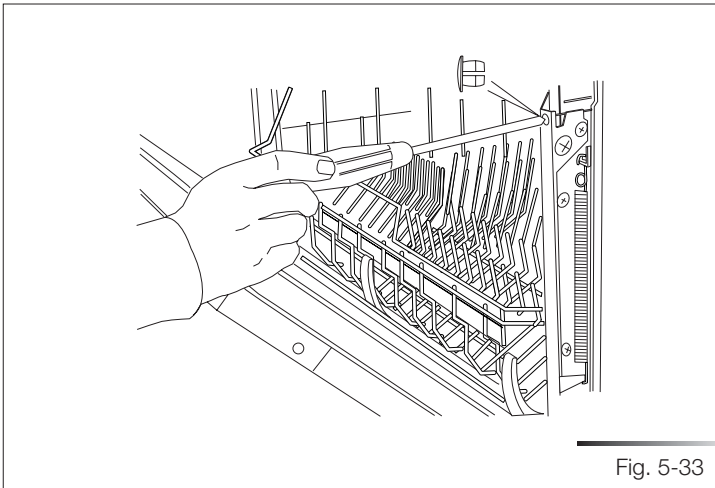


Fig. 5-33

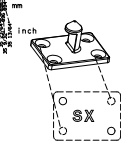


ATTENTION: THE SPRINGS OF THE DISHWASHER MUST NEITHER BE TOO TIGHT NOR TOO LOW OTHERWISE THE DOOR WILL BE UNBALANCED WHEN OPENING AND BE UNABLE TO REMAIN FULLY OPEN (IF THE SPRING IS TOO TIGHT) OR THE ASSISTED CLOSING SYSTEM WILL NOT OPERATE CORRECTLY (IF THE SPRING IS TOO LOOSE): PERFORM TESTS TO FIND THE RIGHT COMPROMISE.

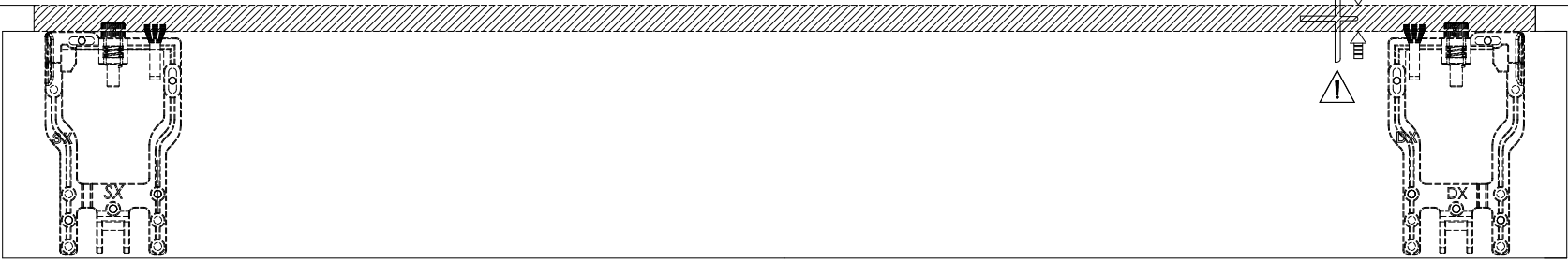
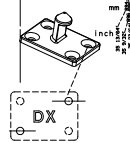
5.4 Testing

After installation, test the dishwasher by starting a work cycle. Check for leaks and make sure the appliance does not malfunction.

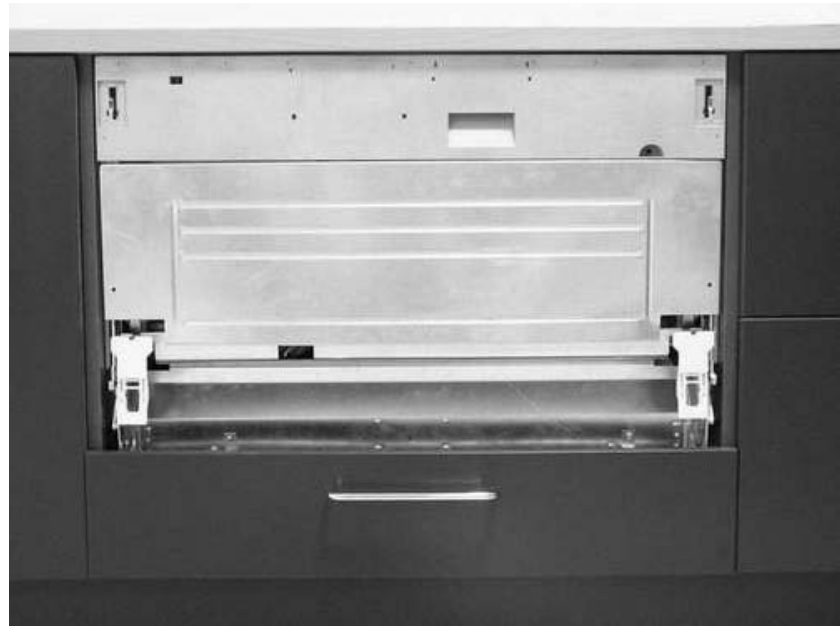
55	1 11/64"
50	1 31/32"
45	1 49/64"
40	1 37/64"
35	1 31/32"
30	1 31/64"
25	63/64"
20	29/32"
15	19/32"
10	29/64"
5	13/64"
0	0
mm	inch



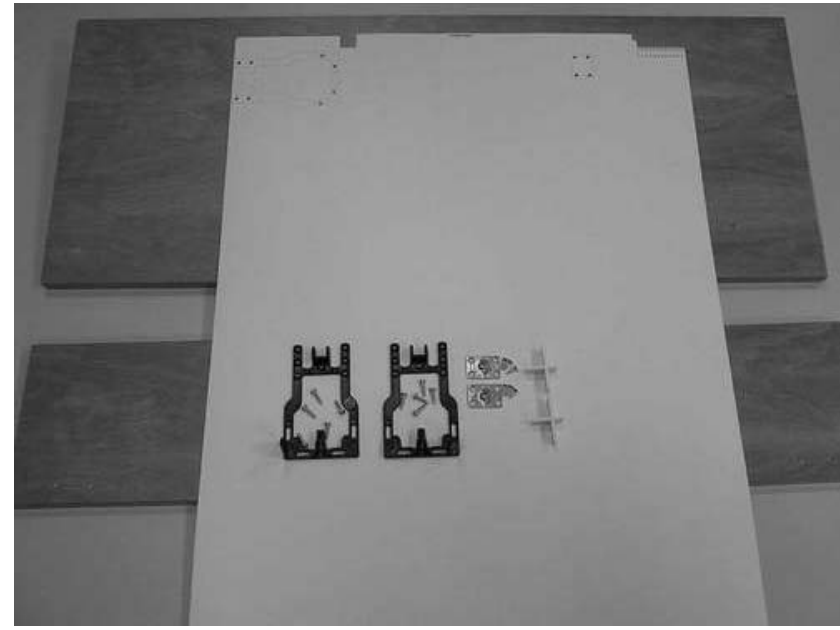
55	1 11/64"
50	1 31/32"
45	1 49/64"
40	1 37/64"
35	1 31/32"
30	1 31/64"
25	63/64"
20	29/32"
15	19/32"
10	29/64"
5	13/64"
0	0
inch	mm



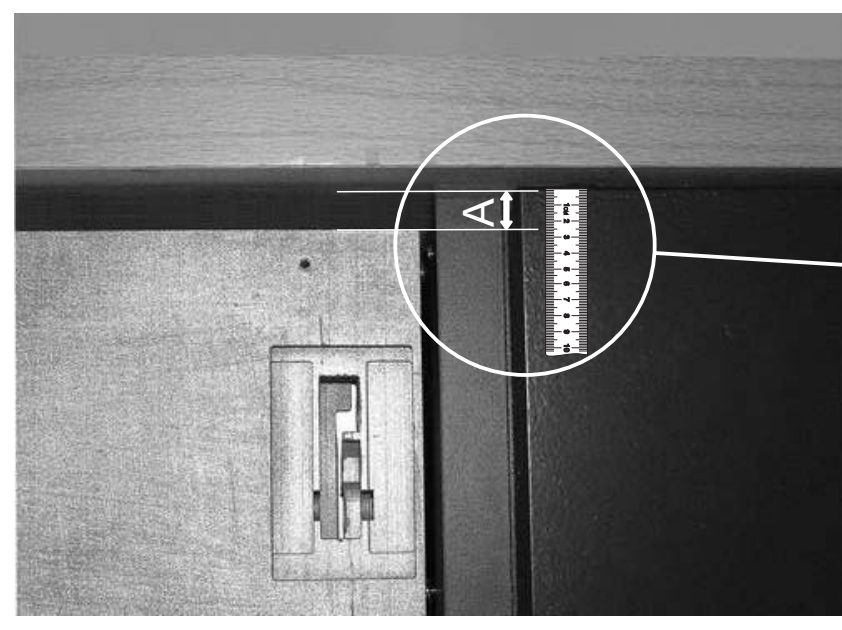
1



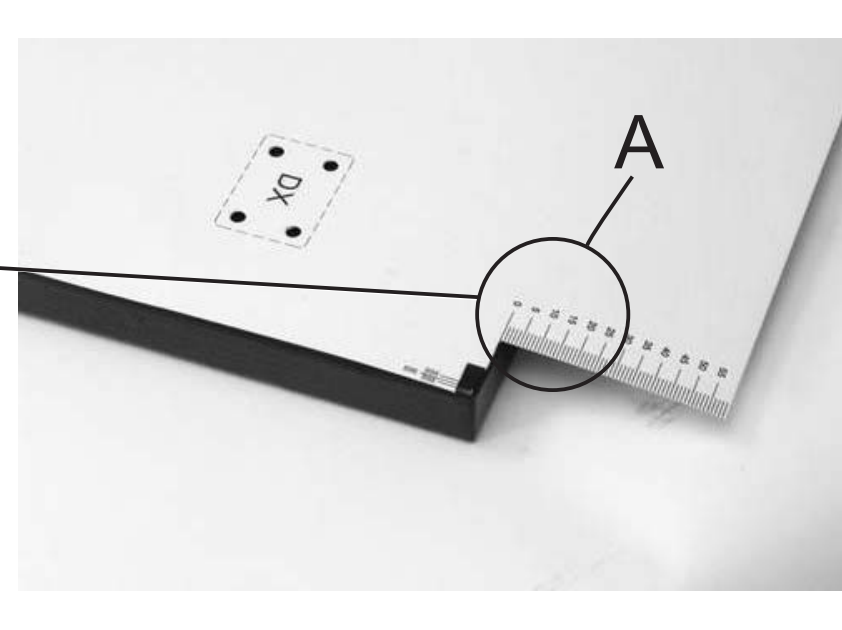
2



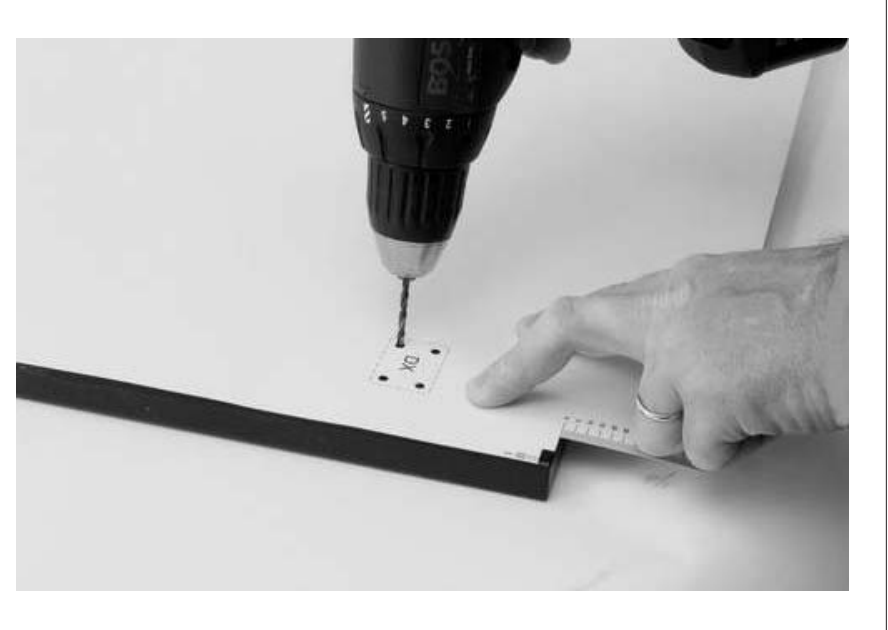
3



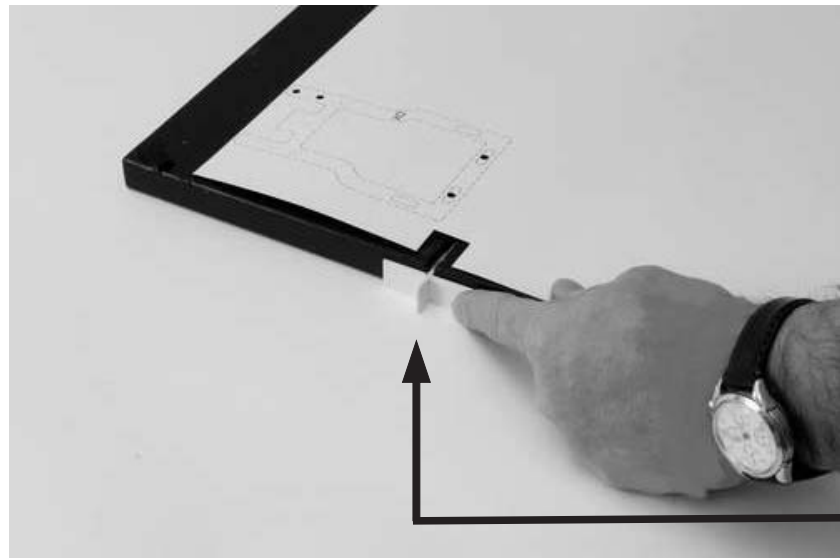
4



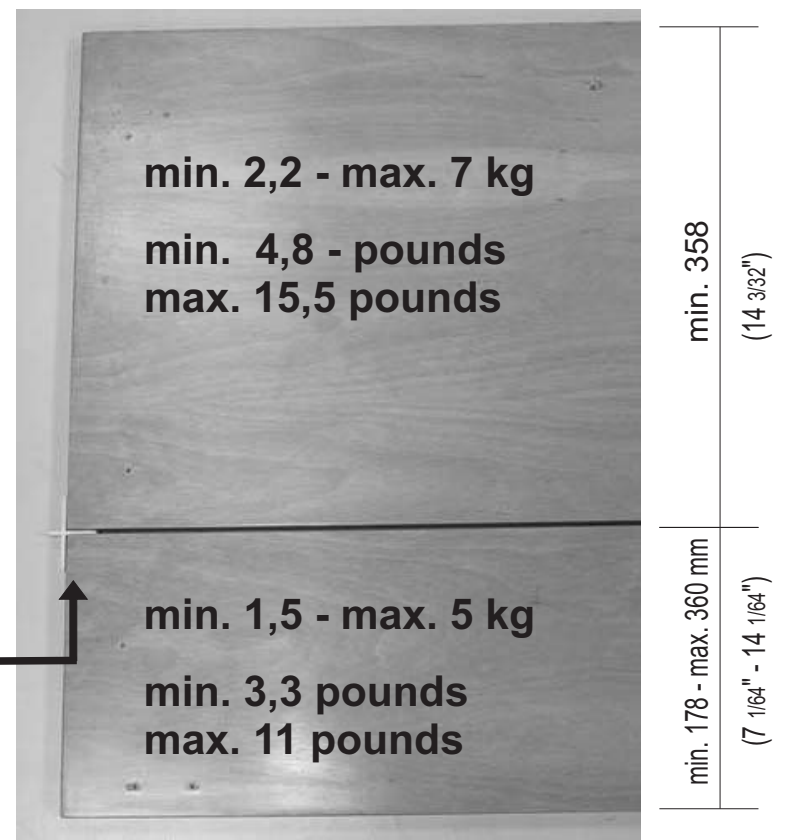
5



6



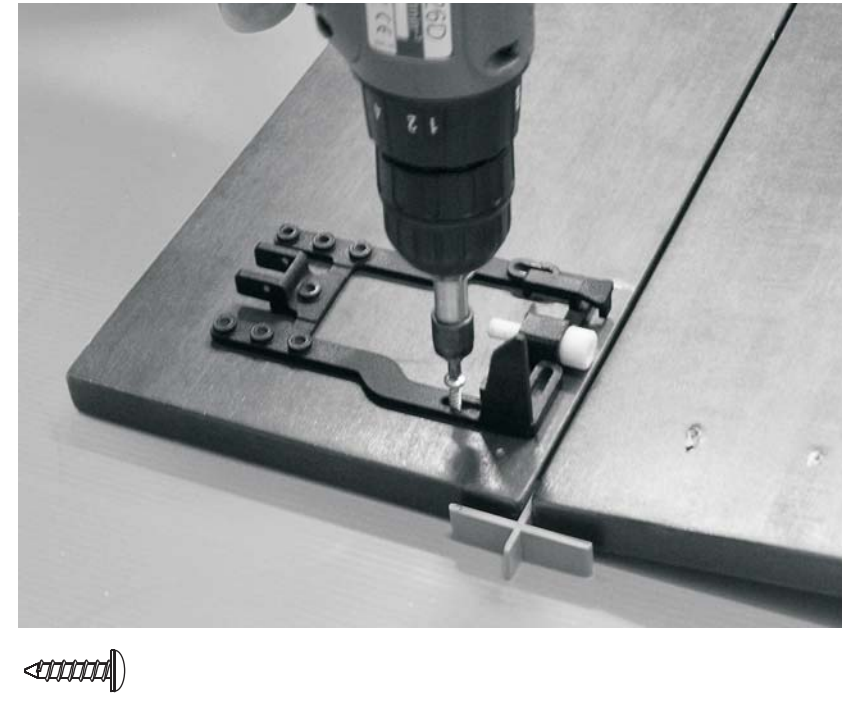
7



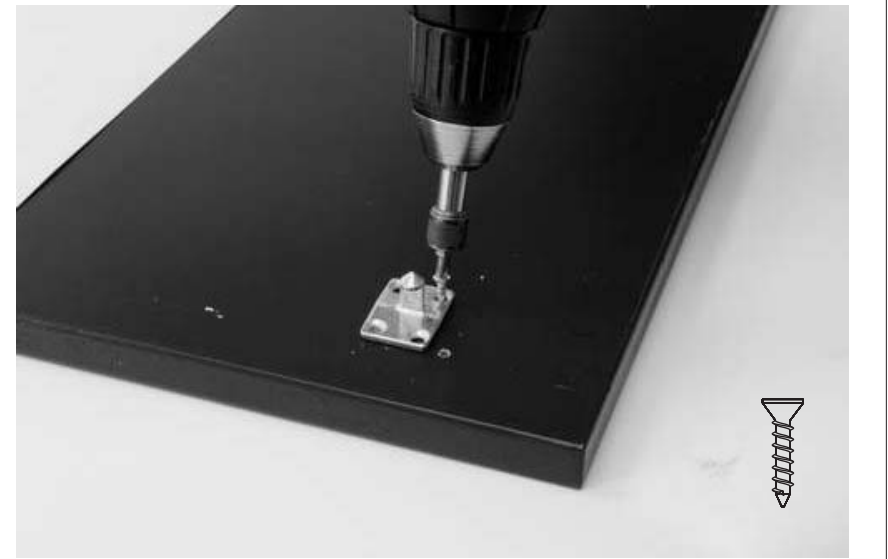
8



9



10



11



12



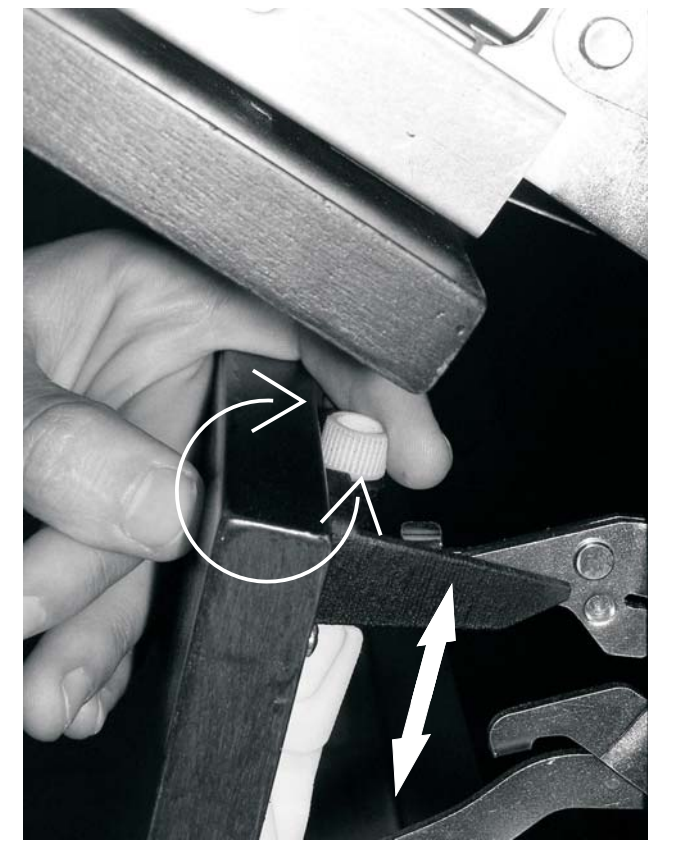
13



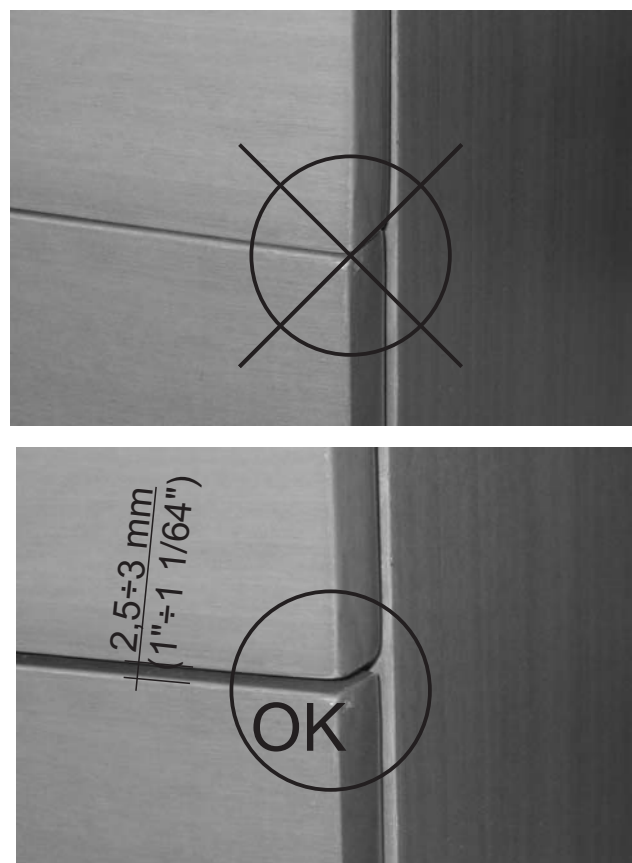
14



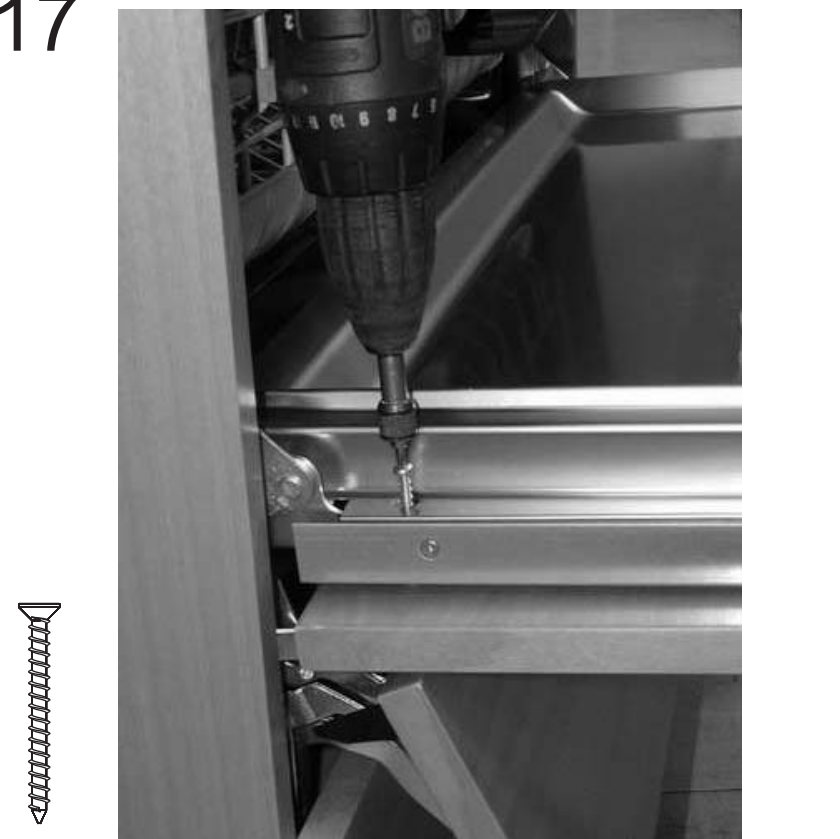
15



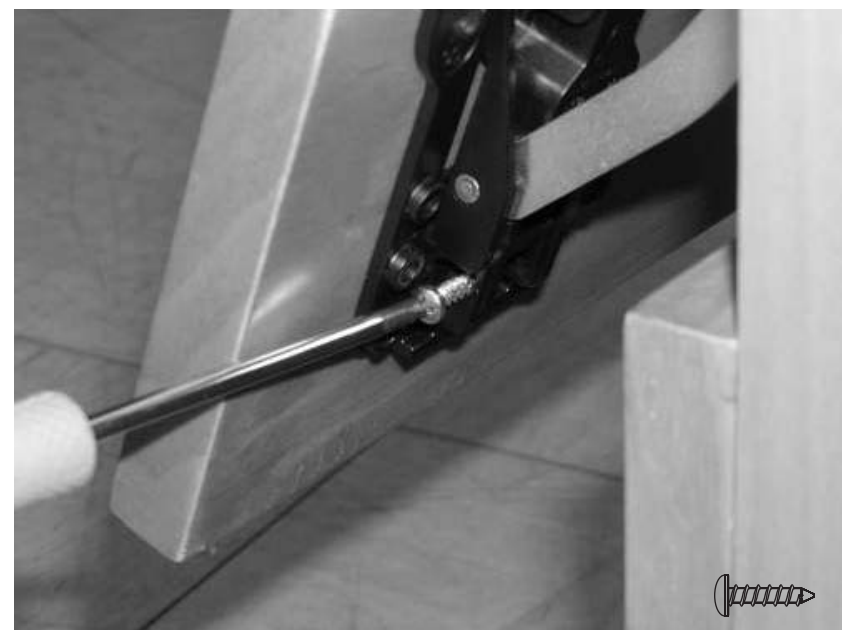
16



17



18



19



20

