

1.5 Cu.Ft. / 1100 Watt Microwave Oven



Read these instructions carefully before using your microwave oven, and keep it carefully. If you follow the instructions, your oven will provide you with many years of good service.

Lisez attentivement les instructions suivantes et conservez-les précieusement. Si vous suivez ces instructions, votre four vous donnera de longues années de bons et loyaux services.

Lea estas instrucciones con atención antes de usar su horno microondas y consérvelas con cuidado. Si sigue las instrucciones, su horno le brindará muchos años de buen servicio.

Owner's Manual
MWM15110TW

Manual del Usuario
MWM15110TW

Manual d' Utilisation
MWM15110TW

Haier

Quality · Innovation · Style

PRECAUTIONS TO AVOID POSSIBLE EXPOSURE TO EXCESSIVE MICROWAVE ENERGY

- (a) Do not attempt to operate this oven with the door open since this can result in harmful exposure to microwave energy. It is important not to break or tamper with the safety interlocks.
- (b) Do not place any object between the oven front face and the door or allow soil or cleaner residue to accumulate on sealing surfaces.
- (c) **WARNING:** If the door or door seals are damaged, the oven must not be operated until it has been repaired by a competent person.

ADDENDUM

If the apparatus is not maintained in a good state of cleanliness, its surface could be degraded and affect the lifespan of the apparatus and lead to a dangerous situation.

Specifications

Model:	MWM15110TW
Rated Voltage:	120V~ 60Hz
Rated Input Power(Microwave)	1550 W
Rated Output Power(Microwave):	1100W
Oven Capacity:	1.5 Cu.ft.
Turntable Diameter:	∅14.1 inch
External Dimensions (WxHxD):	21.6X18.4X12.7 inch
Net Weight:	Approx. 41.7 Lbs
Warning:	Handling the cord on this press or cords associated with accessories sold with this product, will expose you to lead a chemical known to the state of California to cause cancer, and birth defects or other reproductive harm. Wash hands after handle.

CONTENTS

	PAGE
PRECAUTIONS TO AVOID POSSIBLE EXPOSURE TO EXCESSIVE MICROWAVE ENERGY	1
SPECIFICATIONS	1
IMPORTANT SAFETY INSTRUCTIONS	3
ADDITIONAL SAFETY TIPS	4
GROUNDING INSTRUCTIONS	4
UTENSILS GUIDE	5
Materials you can use in microwave oven.....	5
Materials to be avoided in microwave oven	6
SETTING UP YOUR OVEN	6-7
Names of Oven Parts and Accessories	6
Turntable Installation	7
Countertop Installation	7
Installation	7
OPERATION	8-14
Control Panel and Features	8
Operating Instructions	9-14
MAINTENANCE	15
Troubleshooting	15
LIMITED WARRANTY	16

IMPORTANT SAFETY INSTRUCTIONS

When using electrical appliances, basic safety precautions should be followed, including the following:

WARNING - To reduce the risk of burns, electric shock, fire, injury to persons or exposure to excessive microwave energy:

1. **Read all instructions before using the appliance.**
2. Read and follow the specific "PRECAUTIONS TO AVOID POSSIBLE EXPOSURE TO EXCESSIVE MICROWAVE ENERGY" on page 1.
3. This appliance must be grounded. Connected only to properly grounded outlet. See "GROUNDING INSTRUCTIONS" on page 4.
4. Install or locate this appliance only in accordance with the provided installation instructions on page 7.
5. Some products such as whole eggs and sealed containers, for example, closed glass jars may explode and should not be heated in this oven.
6. Use this appliance only for its intended use as described in this manual. Do not use corrosive chemicals or vapors in this appliance. This type of oven is specifically designed to heat, cook or dry food. It is not designed for industrial or laboratory use.
7. As with any appliance, close supervision is necessary when used by children.
8. To reduce the risk of fire in the oven cavity:
 - a. Do not overcook food. Carefully attend appliance if paper, plastic or other combustible materials are placed inside the oven to facilitate cooking.
 - b. Remove wire twist-ties from paper or plastic bags before placing bag in oven.
 - c. If materials inside the oven should ignite, keep oven door closed, turn oven off, and disconnect the power cord or shut off power at the fuse or circuit breaker panel.**
 - d. Do not use the cavity for storage purposes. Do not leave paper products, cooking utensils or food in the cavity when not in use.
9. Liquids, such as water, coffee, or tea are able to be overheated beyond the boiling point without appearing to be boiling. Visible bubbling or boiling when the container is removed from the microwave oven is not always present. THIS COULD RESULT IN VERY HOT LIQUIDS SUDDENLY BOILING OVER WHEN THE CONTAINER IS DISTURBED OR A UTENSIL IS INSERTED INTO THE LIQUID.
10. Do not deep fry food in the microwave. It is difficult to control the fat which could cause a fire hazard.
11. Pierce foods with heavy skins such as potatoes, whole squash, apples and chestnuts before cooking.
12. The contents of feeding bottles and baby jars should be stirred or shaken and the temperature should be checked before serving in order to avoid burns.
13. Cooking utensils may become hot because of heat transferred from the heated food. Potholders may be needed to handle the utensil.
14. Do not cover or block any openings on the appliance.
15. Do not store or use this appliance outdoors. Do not use this product near water, for example, near a kitchen sink, in a wet basement, or near a swimming pool, and the like.
16. Do not operate this appliance if it has a damaged cord or a plug, if it is not working properly or if it has been damaged or dropped.
17. Do not immerse cord or plug in water. Keep cord away from heated surface. Do not let cord hang over edge of table or counter.
18. Use only thermometers which are specifically designed for use in microwave ovens.
19. Be certain the glass tray and roller ring are in place when you operate the oven.
20. This appliance should be serviced only by qualified service personnel. Contact nearest authorized service facility for examination, repair, or adjustment.
21. When cleaning surfaces or door and oven that comes together on closing the door, use only mild, nonabrasive soaps, or detergents applied with a sponge or soft cloth.

SAVE THESE INSTRUCTIONS

ADDITIONAL SAFETY TIPS

1. The oven must be on a leveled surface.
2. The turntable and turntable roller rest must be in the oven during cooking. Place the cookware gently on the turntable and handle it carefully to avoid possible breakage.
3. Incorrect use of browning dish may cause the turntable to break.
4. Use only the specified bag size when using Direct Access Popcorn.
5. The oven has several built-in safety switches to ensure that the power remains off when the door is open. Do not tamper with these switches.
6. Do not operate the microwave oven empty. Operating the oven with no food or food that is extremely low in moisture can cause fire, charring or sparking.
7. Do not cook bacon directly on the turntable. Excessive local heating of the turntable may cause the turntable to break.
8. Do not heat baby bottles or baby food in the microwave oven. Uneven heating may occur and could cause physical injury.
9. Do not heat narrow-necked containers, such as syrup bottles.
10. Do not attempt to deep-fry in your microwave oven.
11. Do not attempt home canning in this microwave oven, as it is impossible to be sure all contents of the jar have reached boiling temperature.
12. Do not use this microwave oven for commercial purpose. This microwave oven is made for household use only.
13. To prevent delayed eruptive boiling of hot liquids and beverages or scalding yourself, stir liquid before placing the container in the oven and again halfway through cooking time. Let stand in the oven for a short time and stir again before removing the container.
14. Use carefully when cooking food in the microwave oven to avoid burning due to excessive cooking.
15. When the appliance is operated in the combination mode, children should only use the oven under adult supervision due to the temperatures generated.
16. Failure to maintain the oven in a clean condition could lead to deterioration that could adversely affect the life of the appliance and possibly result in a hazardous situation.

GROUNDING INSTALLATION

DANGER: Electric Shock Hazard Touching some of the internal components can cause serious personal injury or death. Do not disassemble this appliance.

WARNING: Electric Shock Hazard Improper use of the grounding can result in electric shock. Do not plug into an outlet until appliance is properly installed and grounded.

Three-Pronged (grounding) Plug



This appliance must be grounded. In the event of an electrical short circuit, grounding reduces the risk of electric shock by providing an escape wire for the electric current. This appliance is equipped with a cord having grounding wire with a grounding plug. The plug must be plugged into an outlet that is properly installed and grounded.

Consult a qualified electrician or serviceman if the grounding instructions are not completely understood or if doubt exists as to whether the appliance is properly grounded.

We do not recommend to use an extension cord.

If it is necessary to use an extension cord, use only a 3-wire extension cord that has a 3 blade grounding plug and a 3-slot receptacle that will accept the plug on the microwave oven. The marked rating of the extension cord shall be equal to or greater than the electrical rating of the appliance.

The longer cord should be arranged so that it will not drape over the countertop or tabletop where it can be pulled on by children or tripped over unintentionally.

Neither Haier nor the dealer can accept any liability for damage to the oven or personal injury resulting from failure to observe the electrical connection procedures.

UTENSILS

CAUTION

Personal Injury Hazard

Tightly-closed utensils could explode. Closed containers should be opened and plastic pouches should be pierced before cooking.

See the instructions on "Materials you can use in microwave oven or to be avoided in microwave oven." There may be certain non-metallic utensils that are not safe to use for microwaving. If in doubt, you can test the utensil in question following the procedure below.

Utensil Test:

1. Fill a microwave-safe container with 1 cup of cold water (250ml) along with the utensil in question.
2. Cook on maximum power for 1 minute.
3. Carefully feel the utensil. If the empty utensil is warm, do not use it for microwave cooking.
4. Do not exceed 1 minute cooking time.

Materials you can use in microwave oven

Utensils Remarks

Aluminum foil	Shielding only. Small smooth pieces can be used to cover thin parts of meat or poultry to prevent overcooking. Arcing can occur if foil is too close to oven walls. The foil should be at least 1 inch (2.5cm) away from oven walls.
Browning dish	Follow manufacturer's instructions. The bottom of browning dish must be at least 3/16 inch (5mm) above the turntable. Incorrect usage may cause the turntable to break.
Dinnerware	Microwave-safe only. Follow manufacturer's instructions. Do not use cracked or chipped dishes.
Glass jars	Always remove lid. Use only to heat food until just warm. Most glass jars are not heat resistant and may break.
Glassware	Heat-resistant oven glassware only. Make sure there is no metallic trim. Do not use cracked or chipped dishes.
Oven cooking bags	Follow manufacturer's instructions. Do not close with metal tie. Make slits to allow steam to escape.
Paper plates and cups	Use for short-term cooking/warming only. Do not leave oven unattended while cooking.
Paper towels	Use to cover food for reheating and absorbing fat. Use with supervision for a short-term cooking only.
Parchment paper	Use as a cover to prevent splattering or a wrap for steaming.
Plastic	Microwave-safe only. Follow the manufacturer's instructions. Should be labeled "Microwave Safe". Some plastic containers soften, as the food inside gets hot. "Boiling bags" and tightly closed plastic bags should be slit, pierced or vented as directed by package.
Plastic wrap	Microwave-safe only. Use to cover food during cooking to retain moisture. Do not allow plastic wrap to touch food.
Thermometers	Microwave-safe only (meat and candy thermometers).
Wax paper	Use as a cover to prevent splattering and retain moisture.

Materials to be avoided in microwave oven

Utensils Remarks

Aluminum tray	May cause arcing. Transfer food into microwave-safe dish.
Food carton with metal handle	May cause arcing. Transfer food into microwave-safe dish.
Metal or metal-trimmed utensils	Metal shields the food from microwave energy. Metal trim may cause arcing.
Metal twist ties	May cause arcing and could cause a fire in the oven.
Paper bags	May cause a fire in the oven.
Plastic foam	Plastic foam may melt or contaminate the liquid inside when exposed to high temperature.
Wood	Wood will dry out when used in the microwave oven and may split or crack.

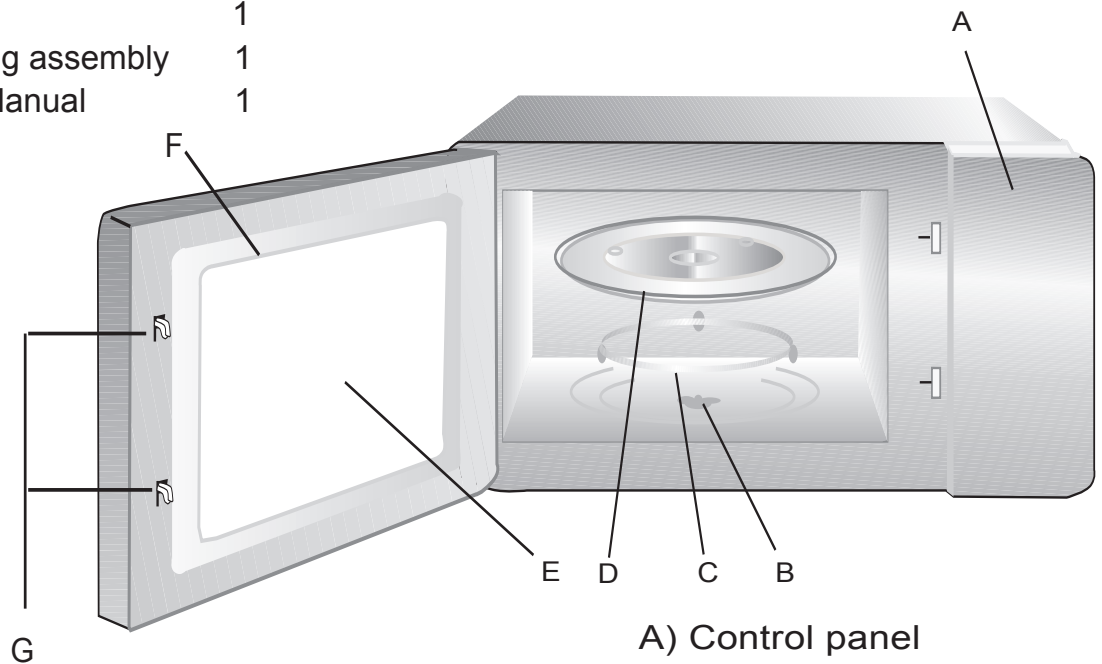
SETTING UP YOUR OVEN

Names of Oven Parts and Accessories

Remove the oven and all materials from the carton and oven cavity.

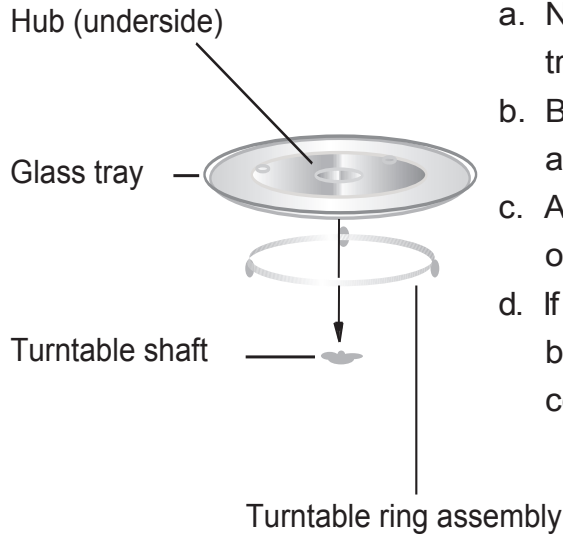
Your oven comes with the following accessories:

Glass tray	1
Turntable ring assembly	1
Instruction Manual	1



- A) Control panel
- B) Turntable shaft
- C) Turntable ring assembly
- D) Glass tray
- E) Observation window
- F) Door assembly
- G) Safety interlock system

Turntable Installation



- Never place the glass tray upside down. The glass tray should never be restricted.
- Both glass tray and turntable ring assembly must always be used during cooking.
- All food and containers of food are always placed on the glass tray for cooking.
- If glass tray or turntable ring assembly cracks or breaks, contact your nearest authorized service center.

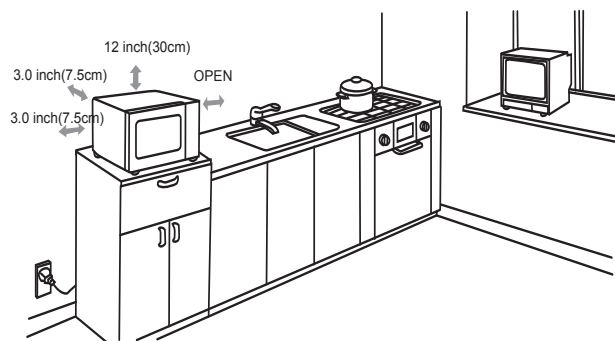
Countertop Installation

Remove all packing material and accessories. Examine the oven for any damage such as dents or broken door. Do not install if oven is damaged.

Cabinet: Remove any protective film found on the microwave oven cabinet surface. Do not remove the light brown Mica cover that is attached to the oven cavity to protect the magnetron.

Installation

- Select a level surface that provide enough open space for the intake and/or outlet vents.



A minimum clearance of 3.0 inches (7.5cm) is required between the oven and any adjacent walls. One side must be open.

- Leave a minimum clearance of 12 inches (30cm) above the oven.
- Do not remove the legs from the bottom of the oven.

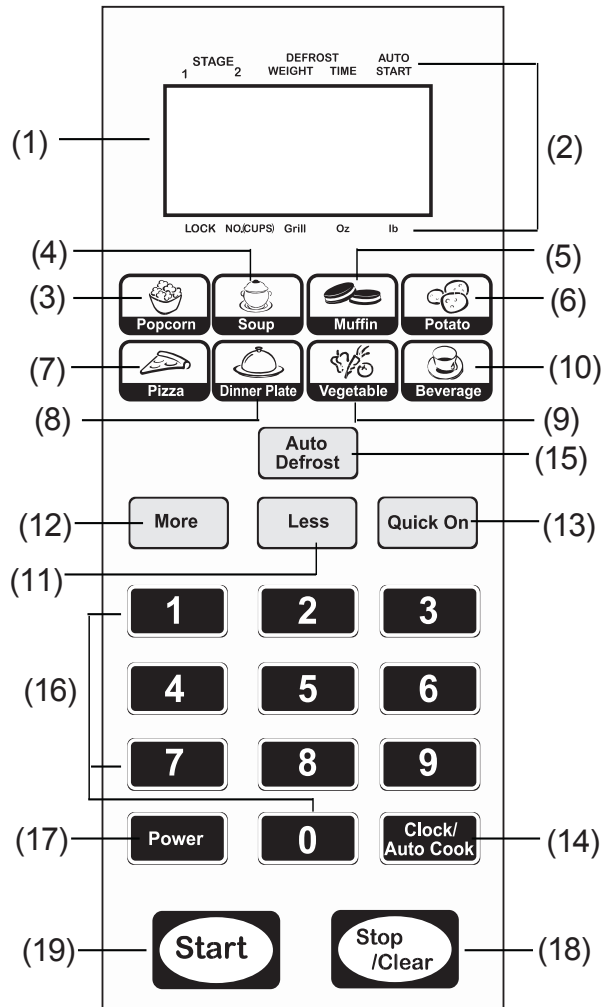
- Blocking the intake and/or outlet openings can damage the oven.
- Place the oven as far away from radios and TV as possible. Operation of microwave oven may cause interference to your radio or TV reception.

- Plug your oven into a standard household outlet. Be sure the voltage and the frequency is the same as the voltage and the frequency on the rating label.

WARNING: Do not install oven over a range cooktop or other heat-producing appliance. If installed near or over a heat source, the oven could be damaged and the warranty would be void.

OPERATION

Control Panel and Features



(1) Display Window counts down cooking time in seconds during cooking. Shows clock time when oven is not in use.

(2) Indicators

STAGE1&STAGE2:lights to indicate current cooking stage.

DEFROST WEIGHT:shows the weight of defrost foods.

DEFROST TIME:shows the time of defrosting

AUTO START:to start automatically when the time set is finished

LOCK:indicates the child safe lock

NO/CUPS:the sets of food or the number of liquid food

Oz:Ounce

lb:Pounds

(3) Popcorn

(4) Soup

(5) Muffin

(6) Potato

(7) Pizza

(8) Dinner Plate

(9) Vegetable

(10) Beverage

(11) Less:reduce cooking time for menu keypads.

(12) More:add cooking time for menu keypads.

(13) Quick on

(14) Clock/Auto Cook:setting time

(15) Auto Defrost: choose the categories of defrost foods: chicken, meat, fish.

(16) Number keys

(17) Power

(18) Stop/Clear: clears all previous settings if pressed before cooking starts. During cooking: press once to stop oven; twice to stop and clear all entries.

(19) Start

Operation Instructions

1. Clock Setting

When the microwave oven is plugged into a wall outlet, " 0:00 " is displayed and flash. The buzzer sounds once.

a) Press the number keys and enter the correct time. For example, time is 10:12 now, please press "1,0,1,2" in turn.

b) Press "Clock/Auto Cook" key to finish setting the clock. " : " begins to flash.

Note: This is a 12 hour system ,the colok setting range should be from 1:00 to 12:59.

If the clock is not set before cooking, " 0 " will appear on the display after cooking.

If it is necessary to reset the clock, do it according to the above steps.

2. Auto Defrost Function

a) Press "Auto Defrost ", the oven will show "dEF1" which indicates the kind of food.

Keep pressing this key to choose the defrosting kind of food.

Press time(s)	Show	food	Weight Scope
Once	dEF1	Chicken	0.1~6.0Lb
Twice	dEF2	Meat	0.1~4.0Lb
Thrice	dEF3	Fish	0.1~3.0Lb

b) Press the number keys to enter the weight. The indicator of " DEFROST WEIGHT" and " lb " light.

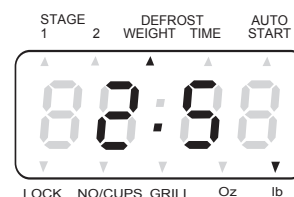
For example, 0.8lb: just press " 8" ,

and 2.5lb: press " 2 " and " 5".

If a wrong weight was entered or want

to enter a new weight, press "Stop/

Clear" and repeat steps (a&b).



c) Press "Start" to start defrosting, The indicator "DEFROST WEIGHT" and "lb" will be off. The indicator "DEFROST TIME" will begin flashing and the timer countdown begins. Buzzer sounds five times after defrosting finished.

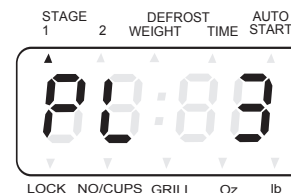
3. One Stage of Microwave Cooking

a) Select different microwave power by pressing "Power " .

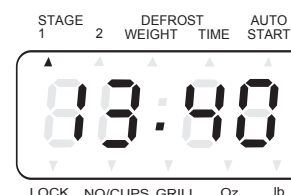
There are 10 power levels to choose.

For example, select 30% microwave power,press

" Power " eight times,"STAGE 1" lights and display "PL3".



b) Set cooking time by pressing number keys. For example, the cooking time is 13'40", press "1,3,4,0" in turn.



c) Press "Start" to cook, the indicator "STAGE 1" will flash and the time begins to count down .Buzzer sounds five times while cooking ends.

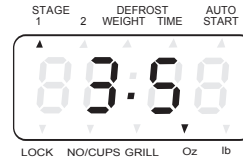
4. Two Stages Of Microwave Cooking

- Select microwave power by pressing "Power".
- Set the cooking time of Stage 1 by pressing the number keys.
- Select microwave power by pressing "Power".
- Set the cooking time of Stage 2 by pressing the number keys.
- Press "Start", Stage 1 begins to cook, then change to Stage 2. The indicator of "STAGE 1" is flashing, which indicating the oven is in stage 1. When it ends, the light will be off and buzzer sounds twice. The indicator light of "STAGE 2" will begin flashing and the oven then goes into Stage 2. Buzzer sounds five times after cooking finish.

5. Popcorn

Do not use this instant key if popcorn weight is less than 1.75 Oz (about 50 gram).

- Press "Popcorn" twice, "STAGE 1" and "Oz" light. "3.5" appears in the LED.
- Press "Start" to cook, "Oz" is off, "STAGE 1" is flashing, time counts down, buzzer sounds five times after cooking.



Times(Press " Popcorn ")	Weight	Display
Once	1.75oz	1.75
Twice	3.5 oz	3.5

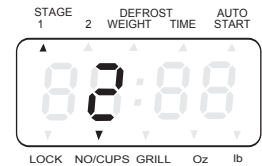
Note: The cooking time for popcorn is for reference only . The setting can be adjusted according to various weight , type and the temperature of the oven to meet your taste with full power.

6. Soup

- Press "Soup" repeatedly until the number you wish appears in the display, "STAGE 1" and "NO/CUPS" indicator light.
 " 1 " SET: 6.0 Oz soup (approximate 170 gram)
 " 2 " SET: 9.0 Oz soup (approximate 250 gram)
 " 3 " SET: 12.0 Oz soup (approximate 340 gram)

For example, press " Soup " twice, "2" appears in the LED.

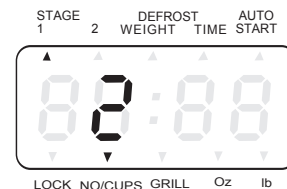
- Press " Start " to cook, " NO/CUPS " is off, " STAGE 1 " is flashing, time counts down, buzzer sounds five times after cooking finish.



Press " Soup "	Weight	Display
Once	1set	1
Twice	2set	2
Thrice	3set	3

7. Muffins

- Press "Muffin" repeatedly until the number you wish appears in the LED, "STAGE 1" and "NO/CUPS" light.
 "1"SET: 6 Oz food (approximate 170 gram)
 "2"SET: 9 Oz food (approximate 250 gram)
 "3"SET:12 Oz food (approximate 340 gram)
 For example, press "Muffin" twice, "2" appears in the display.

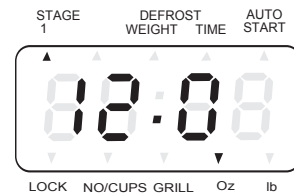


- b) Press "Start" to cook, "NO/CUPS" is off , "STAGE 1" is flashing, time counts down, buzzer sounds five times after cooking finish.

Times(Press "Muffin")	Weight	Display
Once	1set	1
Twice	2set	2
Thrice	3set	3

8. Potato

- a) Press "Potato" repeatedly until the number you wish appears in the LED, "STAGE 1" and "Oz" light.
 "1"SET: 6.0 Oz potato
 "2"SET: 12.0 Oz potato
 "3"SET: 18.0 Oz potato
 For example, press "Potato" twice,
 "12.0" appears in the display.



- b) Press "Start" to cook, "Oz" is off , "STAGE 1" is flashing, time counts down, buzzer sounds five times after cooking finish.

Times(Press "Potato")	Weight	Display
Once	6.0 Oz	6.0
Twice	12.0 Oz	12.0
Thrice	18.0 Oz	18.0

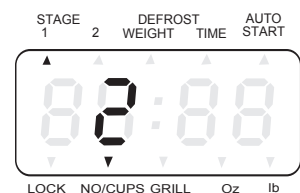
9. Pizza

- a) Press "Pizza" repeatedly until the number you wish appears in the LED, "STAGE 1" and "NO/CUPS" light.
 You can reheat 1~3 slices of Pizza each time (one slice approximate 85 gram).

Times(Press "Pizza")	Weight	Display
Once	1 Slice	<i>1</i>
Twice	2 Slices	<i>2</i>
Thrice	3 Slices	<i>3</i>

For example, press "Pizza" twice, "2" appears in the display.

- b) Press " Start " to cook, " NO/CUPS " is off,
 "STAGE 1" is flashing, time counts down,
 buzzer sounds five times after cooking.



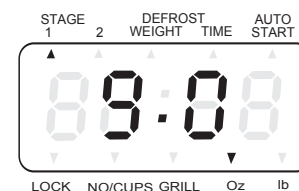
10. Dinner Plate

- a) Press "Dinner Plate" repeatedly until the number you wish appears in the LED, "STAGE 1" and "Oz" light.

For example, press "Dinner Plate" twice, "9.0" appears in the LED.

- b) Press "Start" to cook, "STAGE 1" is flashing, "Oz" is off, time counts down.

Buzzer sounds five times when cooking finish.



Times(Press "Dinner Plate")	Weight	Display
Once	6.0 Oz	6.0
Twice	9.0 Oz	9.0
Thrice	12.0 Oz	12.0

11. Vegetable

- a) Press "Vegetable" repeatedly until the number you wish appears in the LED, "Stage 1" and "Oz" light.

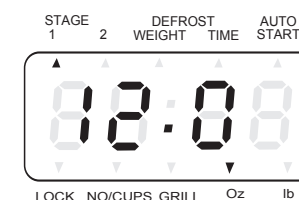
"1"SET: 6.0 Oz food (approximate 170 gram)

"2"SET: 12.0 Oz food (approximate 340 gram)

"3"SET: 18.0 Oz food (approximate 510 gram)

For example, press "Vegetable" twice,

"12.0" appears in the LED.



- b) Press "Start" to cook, "Oz" is off, "Stage 1" is flashing, time counts down, buzzer sounds five times after cooking.

Times(Press "Vegetable")	Weight	Display
Once	6.0 Oz	6.0
Twice	12.0 Oz	12.0
Thrice	18.0 Oz	18.0

12. Beverage

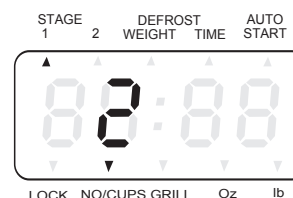
- a) Press "Beverage" repeatedly until the number you wish appears in the LED, "STAGE 1" and "NO/CUPS" light.

You can reheat 1~3 cups of beverage each time (one cup approximate 250 gram).

For example, press "Beverage" twice,

"2" appears in the LED.

- b) Press "Start" to cook, "NO/CUPS" is off, "Stage 1" is flashing, time counts down, buzzer sounds five times after cooking.



Times(Press "Beverage")	Weight	Display
Once	1 Mug	1
Twice	2Mugs	2
Thrice	3Mugs	3

13. Quick on

Press " Quick on" once, it allows you to cook at 100% power with one minute.
(During waiting state, press this key once, 1 minute will be added.)

14. More/Less

In the status of defrosting and auto menu,when it is not started, press"MORE" , the cooking time will be increased by 7%,"bIG" appears in the LED; press"LESS",the cooking time will be decreased by 7%, "SAL" appears in the LED . After selecting "MORE" or "LESS", press "Start" to cook.

Press ÒMOREÓ or ÒLESSÓ	Display	Cooking time	Power level
"MORE"	bIG	T(1+7%)	100%
"LESS"	SAL	T(1-7%)	100%

15. Pre-set Function

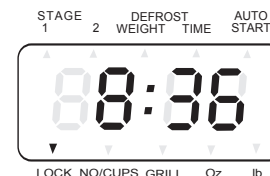
- Ensure that the clock has been set.
- Then press "Clock/Auto Cook" key, "AUTO START" indicator lights and 0:00 flash.
- Enter the time by pressing the number keys.
- Enter the power level .
- Press "Start", "AUTO START" will flash.
- The oven will automatically start to cook when time arrives.

Remark: If no power is entered after setting the clock, it will work as an alarm clock.

16. Child safe lock

- To make this function active, press "Stop/Clear" key 5 times."LOCK" lights and display the time.
- To cancel this function

Press "Stop/Clear" key 5 times, and the indicator "LOCK" will be off.The lock will be cancelled .



17. Inquiry

- Inquiry of time

Press "Clock/Auto Cook" button, the display will show the time setted when the unit is in the state of pre-set program.

Press"Clock/Auto Cook" button, the display will show the time when the unit is cooking.
- Inquiry of power

Press "Power" to view the power level selected when the unit is cooking.

18. Fan Pro-long Function

When cooking time is no less than 5 minutes, microwave stops working at the last 15 seconds. Only fan works.

19. Protection of Lamp

If the door is opened for more than 10 minutes at any states, the oven lamp will be off. Press any key after opening the door,time counts down. At the same time, lamp will be on again.

MAINTENANCE

Troubleshooting

Check your problem by using the chart below and try the solutions for each problem. If the microwave oven still does not work properly, contact the nearest authorized service center.

<i>TROUBLE</i>	<i>POSSIBLE CAUSE</i>	<i>POSSIBLE REMEDY</i>
Oven will not start	<ul style="list-style-type: none"> a. Electrical cord for oven is not plugged in. b. Door is open. c. Wrong operation is set. 	<ul style="list-style-type: none"> a. Plug into the outlet. b. Close the door and try again. c. Check instruction.
Arcing or sparking	<ul style="list-style-type: none"> a. Materials to be avoided in microwave oven are used. b. The oven is operated when empty. c. Spilled food remains in the cavity. 	<ul style="list-style-type: none"> a. Use microwave-safe cookware only. b. Do not operate with oven empty. c. Clean cavity with wet towel.
Unevenly cooked foods	<ul style="list-style-type: none"> a. Materials to be avoided in microwave oven are used. b. Food is not defrosted completely. c. Cooking time, power level is not suitable. d. Food is not turned or stirred. 	<ul style="list-style-type: none"> a. Use microwave-safe cookware only. b. Completely defrost food. c. Use correct cooking time, power level. d. Turn or stir food.
Overcooked foods	Cooking time, power level is not suitable.	Use correct cooking time, power level.
Undercooked foods	<ul style="list-style-type: none"> a. Materials to be avoided in microwave oven are used. b. Food is not defrosted completely. c. Oven ventilation ports are restricted. d. Cooking time, power level is not suitable. 	<ul style="list-style-type: none"> a. Use microwave-safe cookware only. b. Completely defrost food. c. Check to see that oven ventilation ports are not restricted. d. Use correct cooking time, power level.
Improper defrosting	<ul style="list-style-type: none"> a. Materials to be avoided in microwave oven are used. b. Cooking time, power level is not suitable. c. Food is not turned or stirred. 	<ul style="list-style-type: none"> a. Use microwave-safe cookware only. b. Use correct cooking time, power level. c. Turn or stir food.
E (error) message appears in the display	Wrong operation is set.	Check instructions.

LIMITED WARRANTY

What is covered and for how long?

This warranty covers the original retail purchaser, all defects in workmanship or materials for a period of:

Carry-In Service

12 Months (labor)

24 Months (parts)

10 Years Magnetron Tube (part only)

What is covered.

1. The mechanical and electrical parts, which serve as a functional purpose of this appliance for a period of 24 months. This includes all parts except glass, finish, and trim.
2. If the magnetron tube fails due to poor workmanship or material, the part will be replaced.

What will be done and how to obtain service?

1. We will repair or replace, at our discretion any mechanical or electrical part which proves to be defective in normal usage during the warranty period so specified.
2. There will be no charge to the purchaser for labor on any covered items during the initial 12 month period, and no charge for parts on any covered items during the initial 24 month period. The magnetron tube is covered for a period of ten years.
3. To obtain service, bring the unit to your nearest authorized Service depot. For name of the nearest authorized service center please call: 1-877-337-3639.

THIS WARRANTY COVERS APPLIANCES WITHIN THE CONTINENTAL UNITED STATES, CANADA AND PUERTO RICO.

IT DOES NOT COVER THE FOLLOWING:

Damages from improper installation.

Damages in shipping.

Damage from misuse, abuse, accident, alteration, lack of proper care and maintenance, incorrect current or voltage or acts of God.

Damage from other than normal household use.

Damage from service by other than an authorized dealer or service center.

Decorative trims, glass or light bulbs.

Transportation and shipping costs.

THIS LIMITED WARRANTY IS GIVEN IN LIEU OF ALL OTHER WARRANTIES, EXPRESSED OR, INCLUDING THE WARRANTIES OF MERCHANTABILITY AND FITNESS FOR A PARTICULAR PURPOSE.

The remedy provided in this warranty is exclusive and is granted in lieu of all other remedies.

This warranty does not cover incidental or consequential damages, so the above limitations may not apply to you. Some States do not allow limitations on how long an implied warranty lasts, so the above limitations may not apply to you.

This warranty gives you specific legal rights, and you may have other rights, which vary, from state to state.

Haier America

New York, NY 10018

IMPORTANT

Do Not Return This Product To The Store

**If you have a problem with this product, please contact the "Haier Customer Satisfaction Center" at
1-877-337-3639.**

DATED PROOF OF PURCHASE REQUIRED FOR WARRANTY SERVICE

IMPORTANTE

No regrese este producto a la tienda

**Si tiene algún problema con este producto, por favor contacte el "Centro de Servicio al Consumidor de Haier" al 1-877-337-3639 (Válido solo en
E.U.A.).**

NECESITA UNA PRUEBA DE COMPRA FECHADA PARA EL SERVICIO DE LA GARANTIA

IMPORTANT

No regrese este producto a la tienda

**Si tiene algún problema con este producto, por favor contacte el "Centro de Servicio al Consumidor de Haier" al 1-877-337-3639 (Válido solo en
E.U.A.).**

NECESITA UNA PRUEBA DE COMPRA FECHADA PARA EL SERVICIO DE LA GARANTIA

Haier

**Haier America
New York, NY 10018**