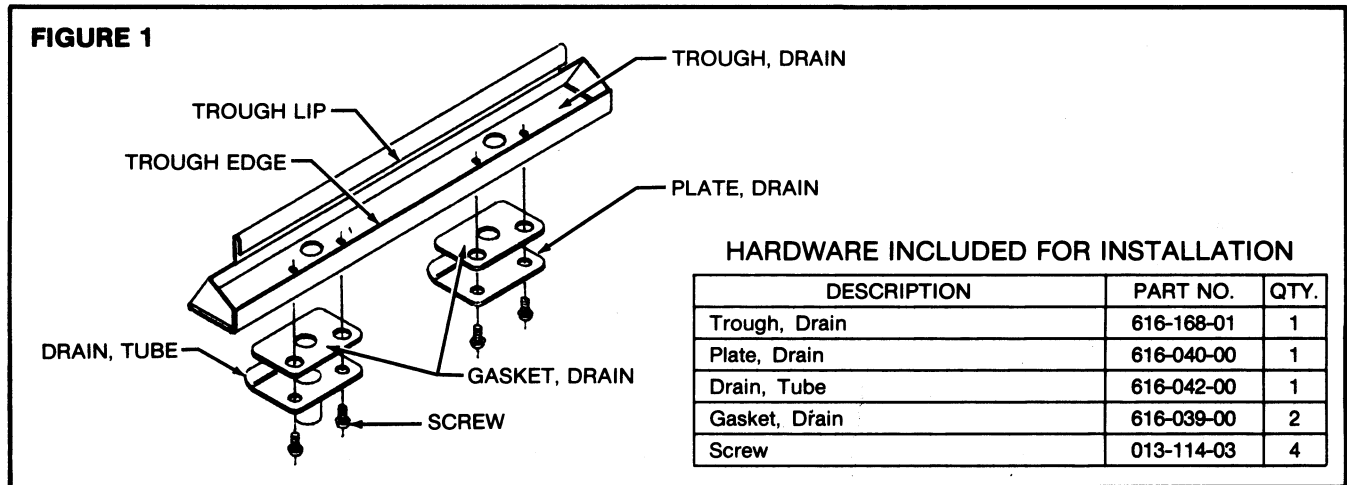


Friedrich

WallMaster® DRAIN KIT (DK)

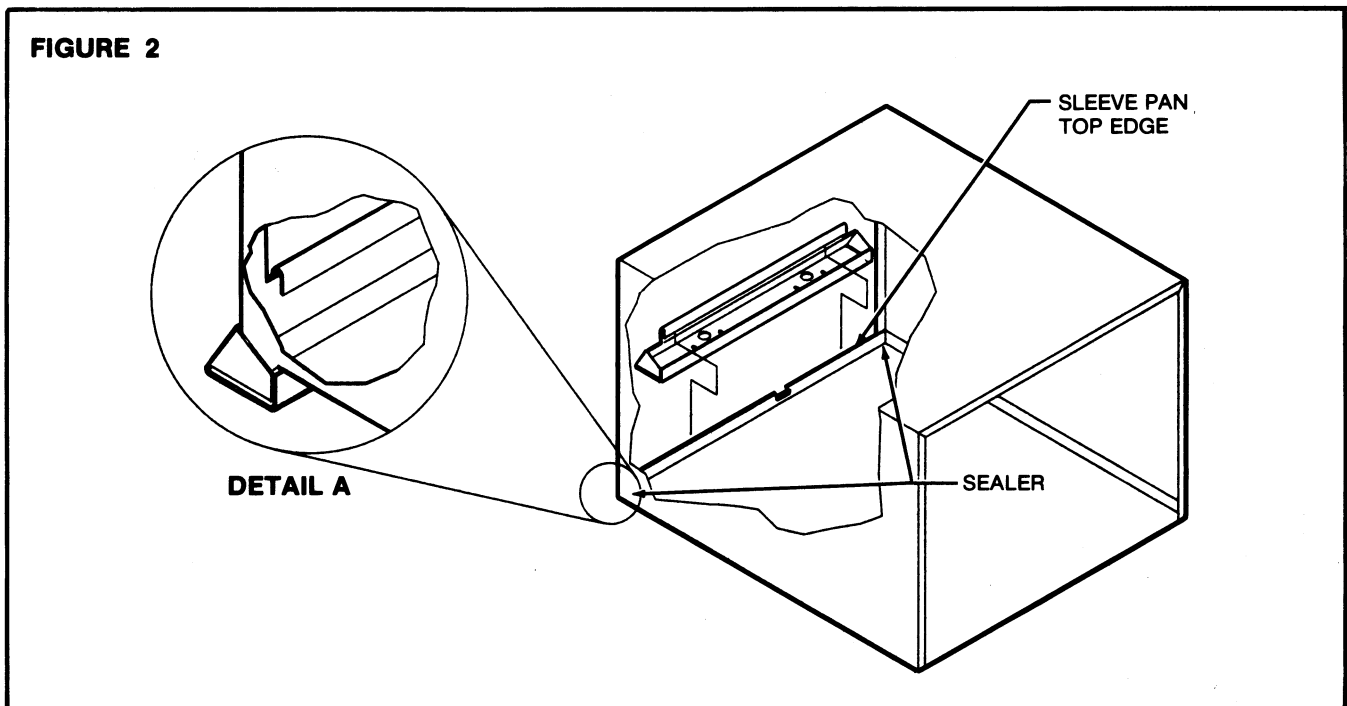
ASSEMBLY & INSTALLATION INSTRUCTIONS

STEP 1. Assemble drain tube and drain plate using both gaskets as shown in Figure 1. It is optional as to which side the drain tube is placed.



STEP 2. With air conditioner unit (and weather panel, if present) removed from sleeve, remove rear louvered grille through the indoor opening.

STEP 3. Care must be taken not to drop the drain kit outside. By reaching through the sleeve, butt the trough edge against bottom of outside sleeve. The lip of the trough fits over the top edge of the sleeve pan, as shown in Figure 2.



STEP 4. Push the trough down so that the sleeve pan edge seats in the trough lip as shown in Detail A.

NOTE: The bottom rear corners of the sleeve **MUST** be sealed with silicone caulk (not provided).