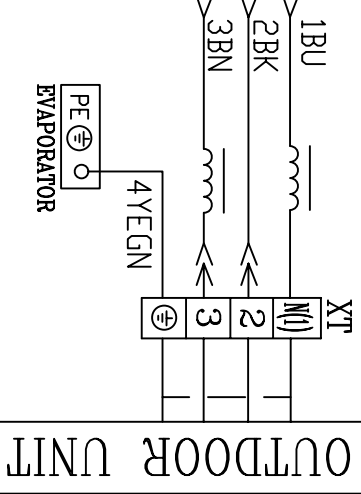
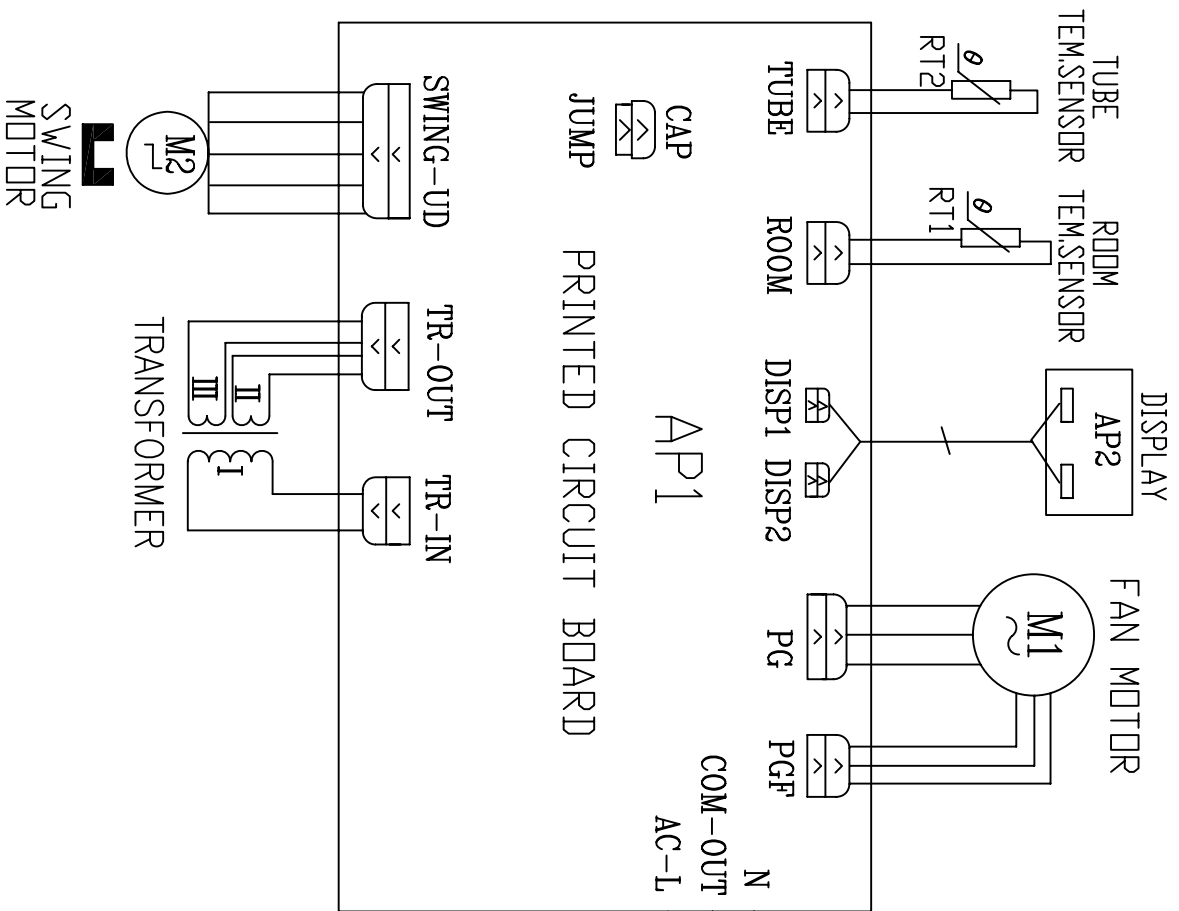


56±1

66±1



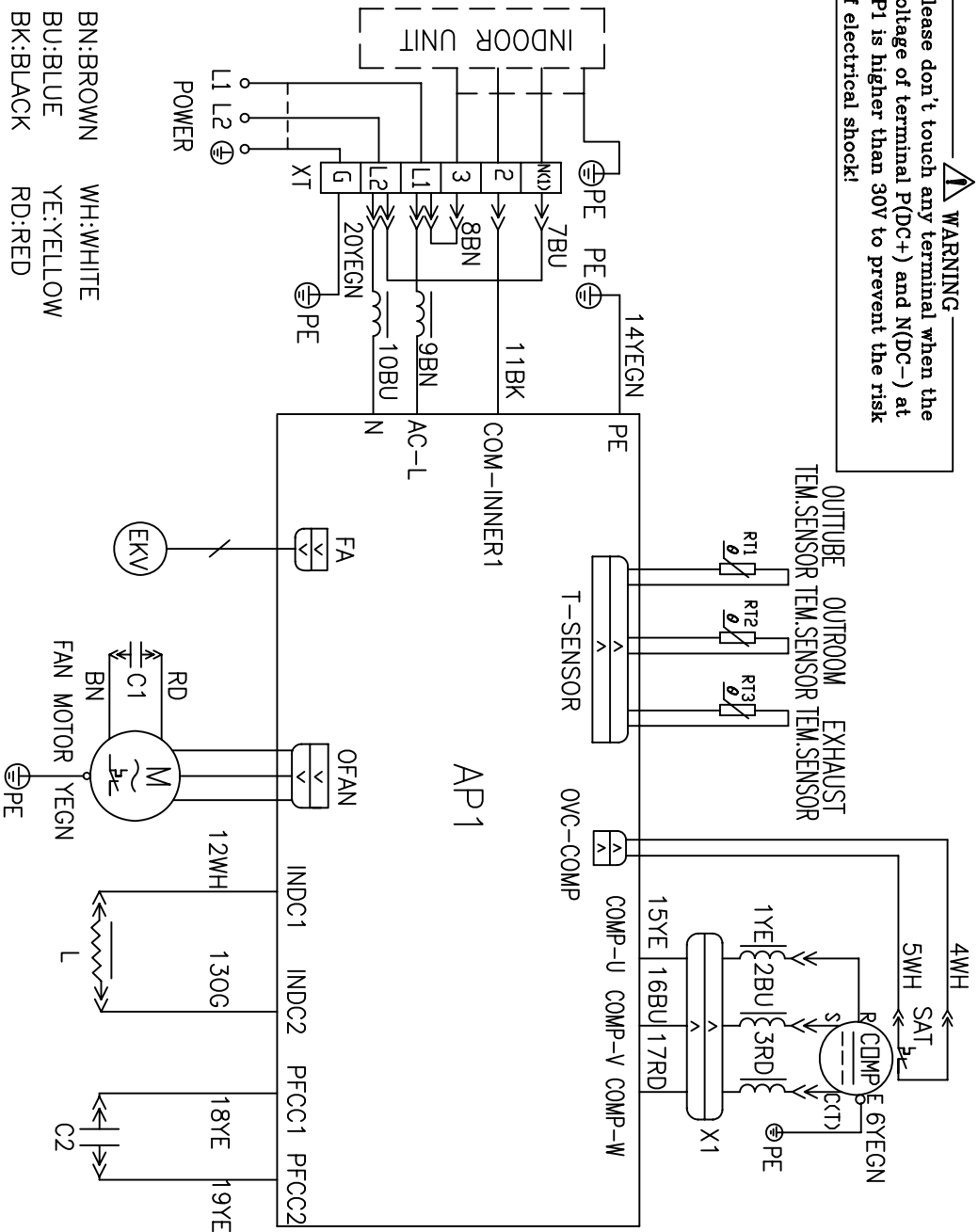
INDDOOR UNIT
63612937

A-R

170±1

166±1

⚠ WARNING
 Please don't touch any terminal when the voltage of terminal P(DC+) and N(DC-) at AP1 is higher than 30V to prevent the risk of electrical shock!



- BN: BROWN
- BU: BLUE
- BK: BLACK
- YE: YELLOW
- YEGN: YELLOW GREEN
- OG: ORANGE
- C1: CBB61
- WH: WHITE
- YE: YELLOW
- RD: RED
- GREEN
- C2: CBB65

OUTDOOR UNIT
 636333068

146±1

4-R2
 4-R4