

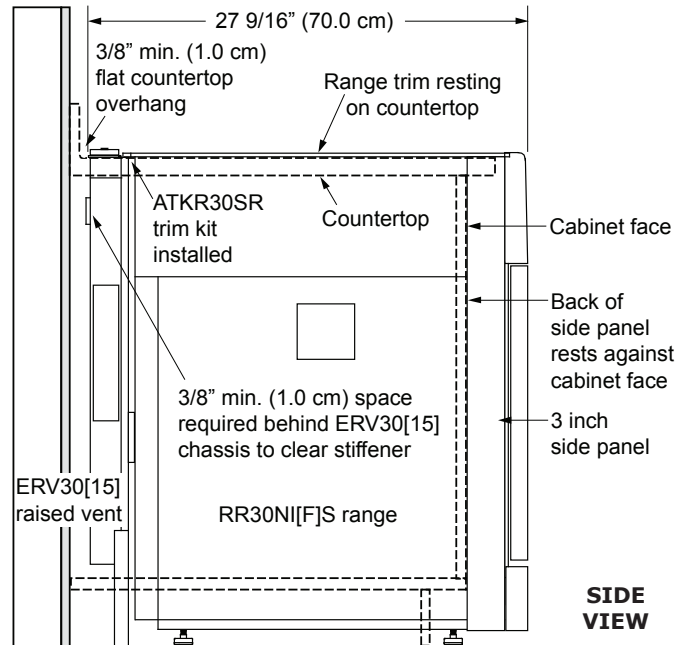
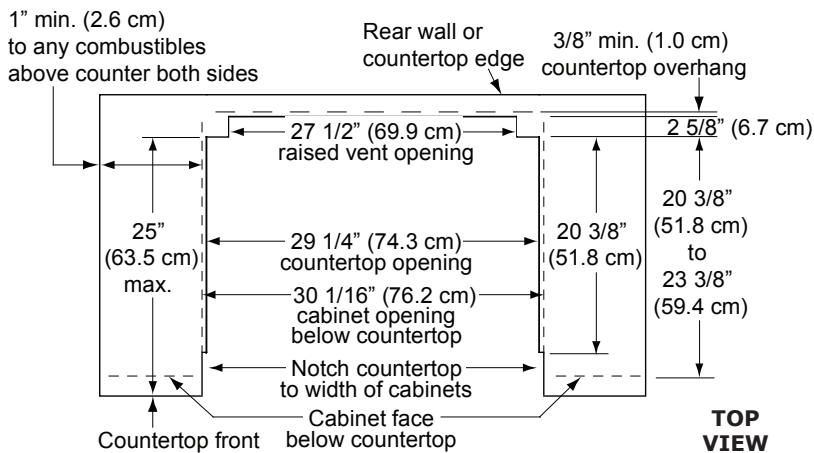
COMBINATION INSTALLATIONS



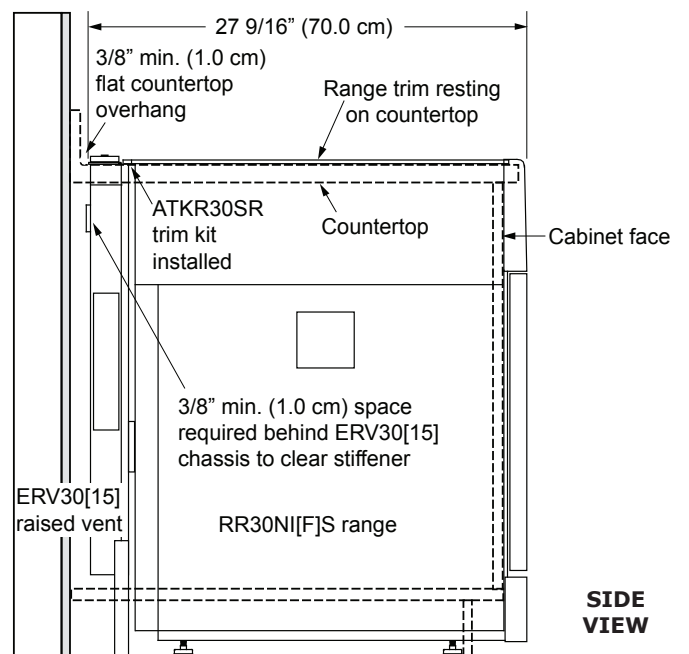
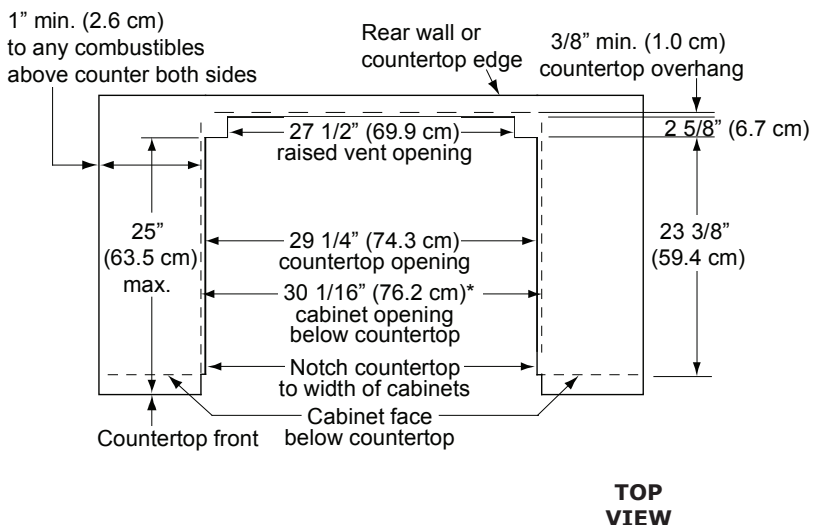
RR30NI[F]S Range with ERV3015 Raised Vent

PLANNING GUIDE

- All tolerances +1/16" (+1.6 mm), -0 unless otherwise noted.
- Countertop height: 34 3/4" (88.3 cm) min., 36 7/8" (93.7 cm) max. Countertop thickness: 1 5/8" (4.1 cm) max.
- Trim kit PN ATKR30SR is required for proper installation of a raised vent with this range.
- The self-rimming installation of the RR30NI[F]S range and ERV30[15] raised vent create a "built-in" look where the range trim overlaps the countertop on both sides and the raised vent trim overlaps the countertop in back.
- **IMPORTANT:** When installing the range in this configuration, ventilation must be provided to allow for cooling of the ranges internal components. See diagram, left.
- Observe all vertical cabinet clearances on specified on the RR30NI Planning Guide sheet.
- A self-rimming countertop configuration is required for raised vent installation. On installations with a raised vent, when sliding the range into position, it will stop when the rear of the control panel or side panels contact the notches toward the front of the countertop.



DOWNDRAFT ERV30[15] WITH SLIDE-IN, SELF-RIMMING INSTALLATION, 3" SIDE PANELS INSTALLED



DOWNDRAFT ERV30[15] WITH SLIDE-IN, SELF-RIMMING INSTALLATION, 3" SIDE PANELS REMOVED