

USE AND CARE MANUAL

DISCOVERY™ CUSTOM PANEL BUILT-IN REFRIGERATORS

Models: DYF42BNDI and DYF48BNDI



Style varies.

Table of Contents

Refrigerator Safety	1
Important Information	2
Before Use	2
Refrigerator Operation	3
Care and Cleaning	10
Troubleshooting	12
Warranty and Service	13
Product Data Sheets	15
Français	17



To Our Valued Customer:

Congratulations on your purchase of the very latest in Dacor® products! Our unique combination of features, style and performance make us The Life of the Kitchen™, and a great addition to your home.

In order to familiarize yourself with the controls, functions and full potential of your new Distinctive Appliance, read this use and care manual thoroughly, beginning with the **Important Safety Instructions** section.

All Dacor appliances are designed and manufactured with quality and pride, while working within the framework of our company value. Should you ever experience a problem with your product, please first check the **Before You Call for Service** section of this manual for guidance. It provides useful suggestions and remedies prior to calling for service.

Valuable customer input helps us to continuously improve our products and services, so please feel free to contact our Customer Service Team for assistance with any of your product support needs.

Dacor Customer Service Team
14425 Clark Avenue
City of Industry, CA 91745

Telephone: (800) 793-0093
Fax: (626) 403-3130
Hours of Operation: Monday through Friday
6:00 A.M. to 5:00 P.M. Pacific Time
Web Site: www.dacor.com

Thank you for choosing Dacor for your home. We are a company built by families for families and we are dedicated to serving yours. We are confident that your new Dacor product will deliver a high level of performance and enjoyment for many years to come.

Sincerely,

The Dacor Customer Service Team

Refrigerator Safety

Your safety and the safety of others are very important.

We have provided many important safety messages in this manual and on your appliance. Always read and obey all safety messages.



This is the safety alert symbol.

This symbol alerts you to potential hazards that can kill or hurt you and others.

All safety messages will follow the safety alert symbol and either the word "DANGER" or "WARNING."

These words mean:

⚠ DANGER

You can be killed or seriously injured if you don't immediately follow instructions.

⚠ WARNING

You can be killed or seriously injured if you don't follow instructions.

All safety messages will tell you what the potential hazard is, tell you how to reduce the chance of injury, and tell you what can happen if the instructions are not followed.

IMPORTANT SAFETY INSTRUCTIONS

WARNING: To reduce the risk of fire, electric shock, or injury when using your refrigerator, follow these basic precautions:

- Plug into a grounded 3 prong outlet.
- Do not remove ground prong.
- Do not use an adapter.
- Do not use an extension cord.
- Disconnect power before servicing.
- Replace all parts and panels before operating.
- Remove doors from your old refrigerator.
- Use nonflammable cleaner.
- Keep flammable materials and vapors, such as gasoline, away from refrigerator.
- Use two or more people to move and install refrigerator.
- Disconnect power before installing ice maker (on ice maker kit ready models only).
- Use a sturdy glass when dispensing ice (on some models).

SAVE THESE INSTRUCTIONS

Proper Disposal of Your Refrigerator

⚠ WARNING

Suffocation Hazard

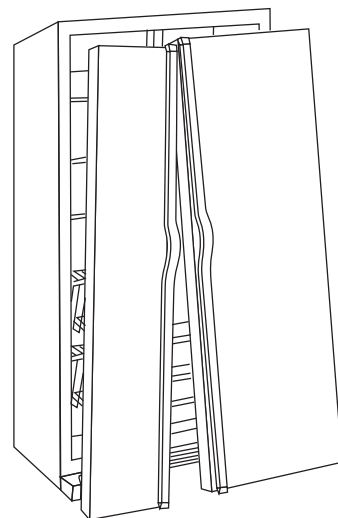
Remove doors from your old refrigerator.

Failure to do so can result in death or brain damage.

IMPORTANT: Child entrapment and suffocation are not problems of the past. Junked or abandoned refrigerators are still dangerous, even if they sit out for "just a few days." If you are getting rid of your old refrigerator, please follow the instructions below to help prevent accidents.

Before you throw away your old refrigerator or freezer:

- Take off the doors.
- Leave the shelves in place so children may not easily climb inside.



Important Information

Installer: Please leave this guide with this appliance.

Consumer: Please read and keep this use and care manual for future reference. This guide provides proper use and maintenance information. **Keep this guide and the sales receipt and/or cancelled check together for future reference. Proof of original purchase date is needed for warranty service.**

IMPORTANT: If you receive a damaged product, immediately contact your dealer or builder. Do not install or use a damaged appliance.

If you have any questions, call:

Dacor Customer Service
(800) 793-0093 (U.S.A. and Canada)
Monday — Friday 6:00 A.M. to 5:00 P.M. Pacific Time
Web site: www.dacor.com

Have the complete model and serial number identification of your refrigerator ready. These numbers are found on a serial number label, located on the right side of the refrigerator liner. Record these numbers on this page for easy access.

Model number _____

Serial number _____

Date of purchase _____

For service and warranty information, see page 13.

Since Dacor constantly improves the quality and performance of our products, we may need to make changes to the appliance without revising this manual.

Visit www.dacor.com to download the latest version of this manual.

Before Use

Remove the Packaging

- Remove tape and glue residue from surfaces before turning on the refrigerator. Rub a small amount of liquid dish soap over the adhesive with your fingers. Wipe with warm water and dry.
- Do not use sharp instruments, rubbing alcohol, flammable fluids or abrasive cleaners to remove tape or glue. These products can damage the surface of your refrigerator. For more information, see *Refrigerator Safety* section.
- Dispose of/recycle all packaging materials.

Clean Before Using

After you remove all of the packaging materials, clean the inside of your refrigerator before using it. See the cleaning instructions in the *Care and Cleaning* section.

Important information to know about glass shelves and covers:

Do not clean glass shelves or covers with warm water when they are cold. Shelves and covers may break if exposed to sudden temperature changes or impact, such as bumping. Tempered glass is designed to shatter into many small, pebble-size pieces. This is normal. Glass shelves and covers are heavy. Use both hands when removing them to avoid dropping.

Water Supply Requirements

Read all directions before you begin.

IMPORTANT:

- When your refrigerator was installed, the water connection from the water source should have been connected to your refrigerator. If your refrigerator is not connected to a water source, see *Connect Water Supply* in the installation instructions. If you have any questions about your water connection, see the *Troubleshooting* section or call a licensed, qualified plumber.
- If you turn the refrigerator on before the water line is connected, turn the ice maker OFF. See *Ice Maker and Storage Bin* on page 6.
- All installations must meet local plumbing code requirements.

Water Pressure

A cold water supply with water pressure between 30 and 120 psi (207 and 827 kPa) is required to operate the water dispenser and ice maker. If you have questions about your water pressure, see the *Troubleshooting* section or call a licensed, qualified plumber.

Reverse Osmosis Water Supply

IMPORTANT: The pressure of the water supply coming out of a reverse osmosis system going to the water inlet valve of the refrigerator needs to be between 30 and 120 psi (207 and 827 kPa).

If a reverse osmosis water filtration system is connected to your cold water supply, the water pressure to the reverse osmosis system needs to be a minimum of 40 psi (276 kPa).

If the water pressure to the reverse osmosis system is less than 40 psi (276 kPa):

- Check to see whether the sediment filter in the reverse osmosis system is blocked. Replace the filter if necessary.
- Allow the storage tank on the reverse osmosis system to refill after heavy usage.
- If your refrigerator has a water filter, it may further reduce the water pressure when used in conjunction with a reverse osmosis system. Remove the water filter. See the *Using the Dispenser without the Water Filter* on page 11.

If you have questions about your water pressure, call a licensed, qualified plumber.

Before Use

Water System Preparation

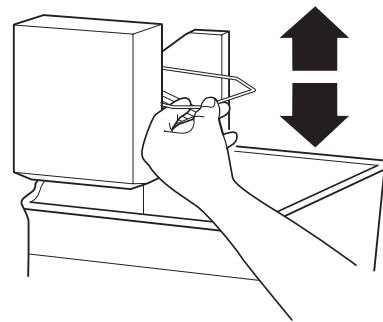
Please read before using the water system.

IMPORTANT: After connecting the refrigerator to a water source or replacing the water filter, fill and discard three full containers of ice to prepare the water filter for use, before using the ice.

Do not use with water that is microbiologically unsafe or of unknown quality without adequate disinfection before or after the system. Systems certified for cyst reduction may be used on disinfected waters that may contain filterable cysts.

NOTE: If your model has a base grille filter system, make sure the base grille filter is properly installed and the cap is in the horizontal position.

1. Turn on the ice maker. Lower the wire shutoff arm as shown. Please refer to page 6 for further instructions on the operation of your ice maker.



NOTES:

- Allow 24 hours to produce the first batch of ice.
- Allow 3 days to completely fill the ice container.
- Depending on your model, you may want to select the maximum ice feature to increase the production of ice.

Refrigerator Operation

⚠ WARNING



Electrical Shock Hazard

- Plug into a grounded 3 prong outlet.
- Do not remove ground prong.
- Do not use an adapter.
- Do not use an extension cord.
- Failure to follow these instructions can result in death, fire, or electrical shock.

⚠ WARNING



Explosion Hazard

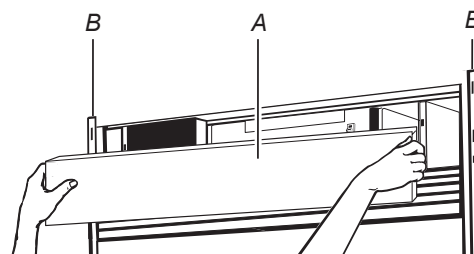
- Keep flammable materials and vapors, such as gasoline, away from refrigerator.
- Failure to do so can result in death, explosion, or fire.

Turning the Main Power Switch On/Off

If you need to turn the power to your refrigerator on or off, you must remove the top grille assembly to access the power switch. Turn the power to the refrigerator off when cleaning your refrigerator or changing light bulbs.

Removing the Top Grille

1. Grasp both ends of the top grille.
2. Push the top grille straight up, then pull straight out. Lay the grille on a soft surface.



A. Top grille
B. Cabinet side trim

Replacing the Top Grille

1. Insert the top grille hooks (located on the back of the top grille) into the slots on the side trim.
2. Pull the grille down slightly to lock into place.

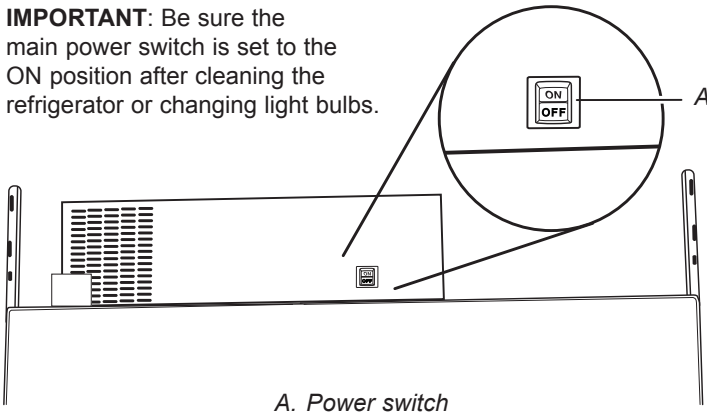
continued...

Refrigerator Operation

To Turn the Main Power Switch On or Off:

1. Remove the top grille.
2. Press the main power switch to the ON or OFF position.
3. Replace the top grille.

IMPORTANT: Be sure the main power switch is set to the ON position after cleaning the refrigerator or changing light bulbs.



A. Power switch

Setting the Controls



The control panel is located inside the refrigerator compartment on the ceiling.

IMPORTANT:

- The refrigerator control adjusts the refrigerator compartment temperature. The freezer control adjusts the freezer compartment temperature.
- Wait 24 hours after you turn on the refrigerator before you put food into it. If you add food before the refrigerator has cooled completely, your food may spoil.

NOTE: Adjusting the refrigerator and freezer controls to a lower (colder) setting will not cool the compartments any faster.

- If the temperature is too warm or too cold in the refrigerator or freezer, first check the air vents to be sure they are not blocked before adjusting the controls.
- The preset settings should be correct for normal household usage. The controls are set correctly when milk or juice is as cold as you like and when ice cream is firm.
- The actual temperature may differ from the display when a door is open for an extended period of time.

NOTE: The factory recommended settings are 0°F (-18°C) for the freezer and 37°F (3°C) for the refrigerator.

Turning the Refrigerator On or Off

- Touch and hold the COOLING ON/OFF key for 3 seconds.

NOTE:

- After the refrigerator is turned on, the over temperature audio alarm and indicator light will activate every 1½ hours until the refrigerator and freezer temperatures are below 48°F (9°C) and 15°F (-9°C), respectively, or until the alarm is turned off. To turn off the audio alarm and indicator light, see *Master Alarm Reset* on page 5.
- The COOLING ON/OFF key on the control panel shuts down the cooling system, fans and compressors as well as the control panel lights. To turn the power off completely, use the main power switch located behind the top grille.

COOLING ON/OFF light

PRESS & HOLD

Setting the Temperature Scale

- Touch the F/C key. To re-display degrees Fahrenheit, touch F/C again. **NOTE:** If the freezer temperature is below zero, the negative sign next to the freezer display will light up. This is normal.

F/C

Adjusting the Temperature Setting

NOTE: Wait at least 24 hours between adjustments. Re-check the temperatures before other adjustments are made.

To adjust the temperature setting:

- Touch the refrigerator or freezer UP (▲) or DOWN (▼) key until the desired temperature is reached.
- Touch the Set To Recommended key to reset the set points to the factory recommended temperatures.

NOTE: The adjustable temperature range for the freezer is -5°F to 5°F (-21°C to -15°C). The adjustable temperature range for the refrigerator is 33°F to 45°F (1°C to 7°C).

Use the table below for guidance if you need to change the temperature.

CONDITION/ REASON:	TEMPERATURE ADJUSTMENT:
REFRIGERATOR too cold Not set correctly for conditions	REFRIGERATOR Control 1° higher
REFRIGERATOR too warm High use or room very warm	REFRIGERATOR Control 1° lower
FREEZER too cold Not set correctly for conditions	FREEZER Control 1° higher
FREEZER too warm/too little ice. High use or heavy ice use	FREEZER Control 1° lower

Max Cold

The Max Cold feature assists with periods of heavy ice usage, full grocery loads or temporarily warm room temperatures.

Touch the MAX COLD key to turn on the Max Cool feature. The Max Cold light will remain on for 24 hours unless manually turned off.

NOTE: The refrigerator temperature display will remain at 34°F (1°C) and the freezer temperature display will remain at -5°F (-21°C) while the Max Cold feature is on. After 24 hours, the refrigerator will automatically return to the previous temperature settings.

MAX COLD light

MAX COLD

Refrigerator Operation

Alarms

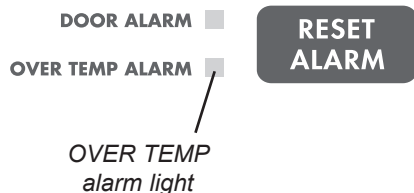
Over Temperature

IMPORTANT: If the Over Temperature Alarm activates, your food may spoil. See *Power Interruptions* on page 9. Minimize door openings until temperatures return to normal.

The Over Temperature feature is designed to let you know when either the refrigerator temperature rises above 48°F (9°C) or the freezer temperature rises above 15°F (-9°C) for longer than 1½ hours. The audio alarm will shut off automatically when the temperature returns to normal, but the indicator light will continue to flash to let you know that an over temperature condition has occurred.

If the over temperature condition is still present when a RESET ALARM is performed, the indicator light will continue to reactivate every 1½ hours until refrigerator and freezer temperatures are below 48°F (9°C) and 15°F (-9°C), respectively.

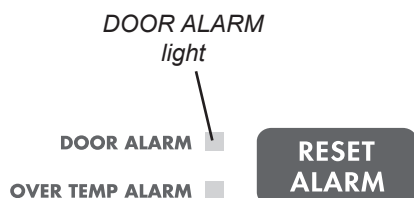
NOTE: To deactivate the audio alarm and indicator light, see *Master Alarm Reset* below.



Door Alarm

The DOOR ALARM light will flash, an alarm will sound and the interior lights will turn off when a door has been open for longer than 10 minutes. When the door is closed, the audio alarm will reset and turn off, but the DOOR ALARM light will continue to flash until the temperature is equal to or below 45°F (7°C) and 15°F (-9°C) for the refrigerator and freezer compartments, respectively.

NOTE: To deactivate the audio alarm and indicator light, see *Master Alarm Reset* below.



Master Alarm Reset

Touching the ALARM RESET key once will shut off the audio alarm and the indicator light. The audio alarm will not sound again for the current condition that caused the alarm until a new condition occurs or until a master alarm reset is performed.

A master alarm reset can be performed by touching the COOLING ON-OFF key twice or by turning the power to the refrigerator off and on again. See *Turning the Main Power Switch On/Off* on page 3. The indicator light will reactivate after a master alarm reset if the condition that caused the alarm is still present. See *Over Temperature or Door Alarm*, above.



Water Filter Indicator

The water filter indicator, located on the control panel, will help you know when to change the water filter.

When the water filter status display changes from GOOD to ORDER FILTER, order a new filter. When the filter indicator reads REPLACE FILTER, it is recommended that you replace the filter. To change the filter, see the *Replacing the Water Filter* on page 11.

After changing the water filter, press and hold FILTER RESET for 2 seconds until the status display changes to GOOD.

WATER FILTER STATUS

- GOOD
- ORDER FILTER
- REPLACE FILTER



Sabbath Mode

The Sabbath Mode feature is designed for the traveler or for those whose religious observances require turning off the lights and ice maker. By selecting this feature, the temperature set points and Deli Pan settings remain unchanged, the ice maker will be disabled and the interior lights will turn off. For most efficient refrigerator operation, exit the Sabbath Mode when it is no longer required.

In Sabbath Mode, the temperature set points remain unchanged and the interior lights turn off.

- Touch the SABBATH MODE key to turn on Sabbath Mode.
- Touch SABBATH MODE again to turn off Sabbath Mode.

NOTE: If the Max Cold feature is selected prior to turning on the Sabbath mode, the temperature settings will remain at 34°F (1°C) and -5°F (-21°C) for the refrigerator and freezer compartments, until the Max Cold feature time (24 hours) is up. The refrigerator will then return to the previous temperature settings chosen prior to turning on the Max Cold feature, but the lights and ice maker will remain off until the SABBATH MODE key is touched again.

SABBATH MODE
light



Refrigerator Operation

Ice Maker and Storage Bin

IMPORTANT: Flush the water system before turning on the ice maker. Allow 24 hours to produce the first batch of ice. Discard the first three batches of ice produced. Allow 3 days to completely fill the ice container.

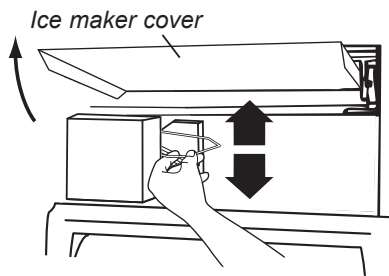
To Turn the Ice Maker On/Off:

The On/Off switch for the ice maker is a wire shutoff arm located on the side of the ice maker.

1. To turn the ice maker on, simply lower the wire shutoff arm.

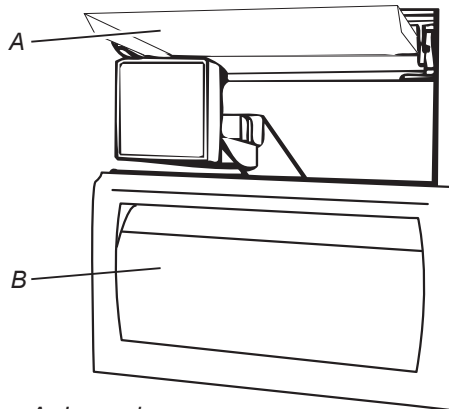
NOTE: Your ice maker has an automatic shutoff. As ice is made, the ice cubes will fill the ice storage bin and the ice cubes will raise the wire shutoff arm to the OFF (arm up) position.

2. To manually turn the ice maker off, lift the wire shutoff arm to the OFF (arm up) position and listen for the click to make sure the ice maker will not continue to operate.



To Remove and Replace the Ice Storage Bin:

1. Flip up the covering panel.



A. Ice maker cover
B. Ice bin

2. Lift the wire shutoff arm so it clicks into the OFF (up) position. Ice can still be dispensed, but no more can be made.
3. Lift up the front of the storage bin and pull the ice bin forward.
4. Replace the bin by pushing it in all the way or the dispenser will not work. Push the wire shutoff arm down to the ON position to restart ice production. Make sure the door is closed tightly.

Clean the Ice Storage Bin

NOTE: It is normal for ice to stick together in the ice bin. Ice may be dispensed or used more frequently which will break up the ice. It is recommended that the ice container be emptied and cleaned as needed.

To clean the ice storage bin:

1. Empty the ice container. Use warm water to melt the ice if necessary.
NOTE: Do not use anything sharp to break up the ice in the bin or bucket. This can cause damage to the ice container and the dispenser mechanism.
2. Wash the ice bin with a mild detergent, rinse well and dry thoroughly. Do not use harsh or abrasive cleaners or solvents.

IMPORTANT:

- Allow 24 hours to produce the first batch of ice. Allow 3 days to completely fill ice container.
- Discard the first three batches of ice produced to avoid impurities that may be flushed out of the system.
- The quality of your ice will be only as good as the quality of the water supplied to your ice maker.
- Avoid connecting the ice maker to a softened water supply. Water softener chemicals (such as salt) can damage parts of the ice maker and lead to poor quality ice. If a softened water supply cannot be avoided, make sure the water softener is operating properly and is well maintained.
- It is normal for the ice cubes to be attached at the corners. They will break apart easily.
- Do not force the wire shutoff arm up or down.
- Do not store anything on top of the ice maker or in the ice storage bin/bucket.

Refrigerator Operation

Refrigerator Storage

Important information to know about glass shelves and covers:

Do not clean glass shelves or covers with warm water when they are cold. Shelves and covers may break if exposed to sudden temperature changes or impact, such as bumping. Tempered glass is designed to shatter into many small, pebble-size pieces. This is normal. Glass shelves and covers are heavy. Use both hands when removing them to avoid dropping.

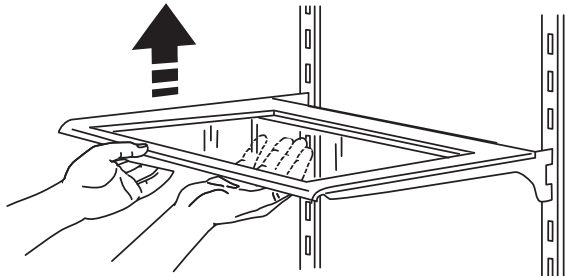
The shelves and compartments in your refrigerator are adjustable and/or removable to meet your individual storage needs.

Storing similar food items together in your refrigerator and adjusting the shelves compartments to fit different heights of items will make finding the exact item you want easier. It will also reduce the amount of time the refrigerator door is open, and help save energy.

Shelves and Shelf Frames

To remove and replace a shelf/frame:

1. Remove the shelf/frame by tilting it up at the front and lifting it out of the shelf supports. Pull the shelf straight out.



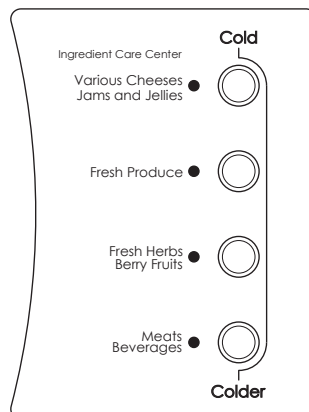
2. Replace the shelf/frame by guiding the rear shelf hooks into the shelf supports. Tilt the front of the shelf up until the rear shelf hooks drop into the shelf supports.
3. Lower the front of the shelf and check to make sure that the shelf is securely in position.

Ingredient Care Center

The control for the ingredient care center (for compartment location, see illustration at right) adjusts the storage temperature of the ingredient care center pan. Cold air flows into the pan through the air duct between the freezer and the refrigerator. Setting the controls allows more or less cold air through the air duct.

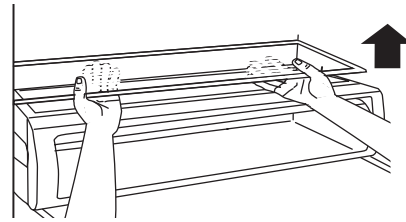
To Adjust the Ingredient Care Center:

1. Choose a setting based on the item to be stored in the pan.
2. Push the button that corresponds to that setting.
3. The indicator light for that setting will illuminate to verify that the pan is ready to be loaded.



Remove and Replace the Ingredient Care Center Cover:

1. Remove food from the ingredient care center cover. Pull the drawer out about 4" (10 cm). Reach under the glass shelf with both hands and lift it gently upward until the back of the shelf is free. Tilt the shelf at an angle and remove it from the refrigerator, being careful not to bump the glass.



2. Replace the cover by holding the glass shelf firmly with both hands, tilt the shelf at an angle and position it above the support rails. Place the shelf gently on support rails on the side wall.

Meat Storage Guide

Store most meat in original wrapping as long as it is airtight and moisture-proof. Rewrap if necessary. See the following chart for storage times. When storing meat longer than the times given, freeze the meat.

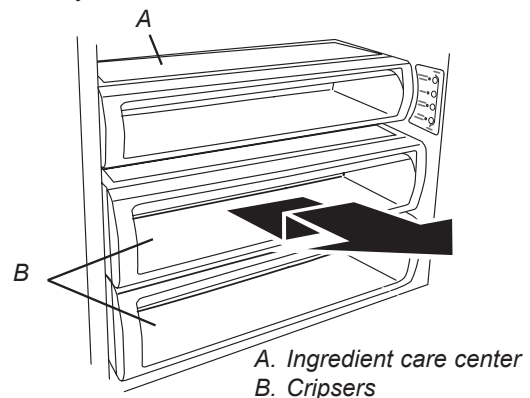
Fresh fish or shellfish.....	use same day as purchased
Chicken, ground beef, variety meat (liver, etc.)	1-2 days
Cold cuts, steaks/roasts	3-5 days
Cured meats.....	7-10 days

Leftovers - Cover leftovers with plastic wrap, aluminum foil, or plastic containers with tight lids.

Crispers and Covers

To remove and replace the crispers:

1. Slide the crisper drawer straight out to the stop. Lift the front of the drawer with one hand while supporting the bottom of the drawer with your other hand and slide the drawer out the rest of the way.



2. To replace the crisper drawer, place the drawer onto the slides and push the drawer back until securely in position.
3. Carefully test the crisper drawer to make sure it has been replaced properly.

To clean the crisper covers:

To clean the top crisper cover, remove the ingredient care center located above it.

To clean the bottom crisper cover, first remove the top crisper drawer.

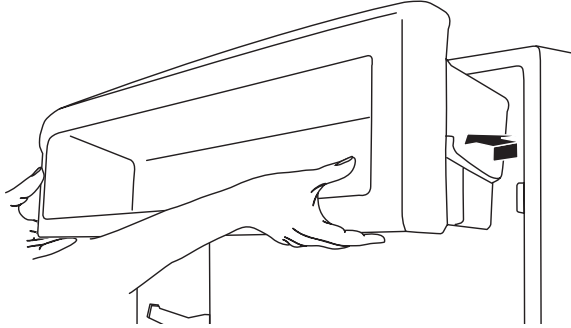
Refrigerator Operation

Door Utility Bin

The utility bin can be placed in any position on the refrigerator door.

To remove and replace the utility bin:

1. Remove the utility bin by grasping both ends and lifting compartment up and out.



2. Replace the bin by sliding it in above the desired support and pushing it down until it stops.

Gallon Door Bin

The adjustable gallon door bin can hold gallon size containers.

NOTE: The gallon door bin can only be placed on the lower support.

To install the gallon door bin:

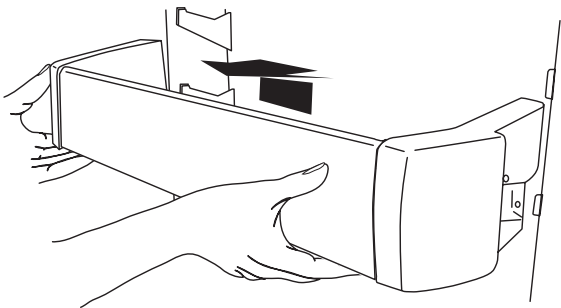
1. Position the gallon door bin above the lowest door adjustment slot.
2. Push down to secure it.
3. Adjust other bins, as necessary to allow for milk or beverage container height.

Standard Door Bins

The adjustable standard door bins can hold 2-liter bottles.

To remove and replace the door bins:

1. Remove the bin by lifting it up and pulling it out.

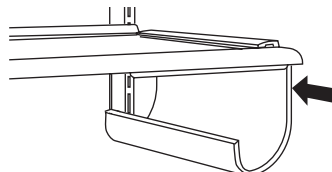


2. Replace the bin by sliding it in above the desired support and pushing it down until it stops.

Wine Rack

To remove and replace the wine rack:

1. Remove the rack by pulling it straight out from the shelf.
2. Replace the rack by sliding it in between the shelf and the wall of the refrigerator.

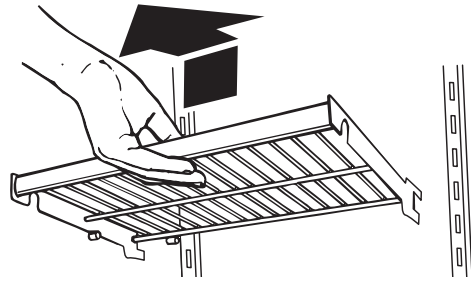


Freezer Storage

Freezer Shelf

To remove and replace the shelf:

1. Remove the shelf by lifting it up and pulling it straight out.



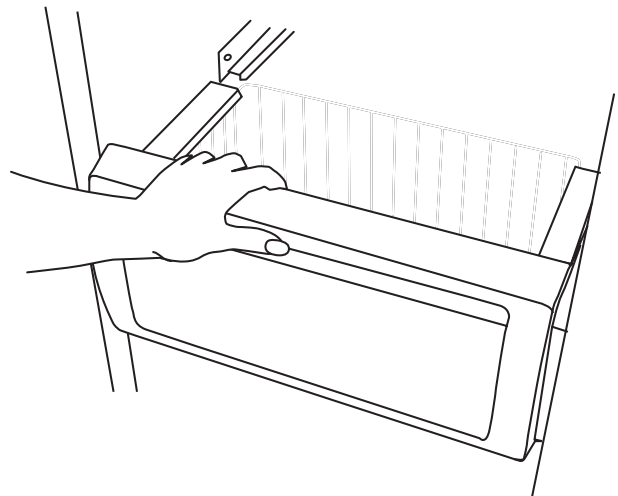
2. Replace the shelf by putting it over the supports and lowering it into place.

Freezer Baskets

The freezer baskets can be used to store bags of frozen fruits and vegetables that may slide off freezer shelves.

To remove and replace a freezer basket:

1. Pull the basket straight out to the stop.
2. Lift the front of the basket and slide it out the rest of the way.



3. Replace the basket by positioning it on the side wall guide rails. Lift the basket front slightly while pushing it past the guide rail stops and slide it in the rest of the way.

Frozen Food Storage Information

Storage times will vary according to the quality and type of food, the type of packaging or wrap used (should be airtight and moisture-proof), and the storage temperature. Ice crystals inside a sealed package are normal. This simply means that moisture in the food and air inside the package have condensed, creating ice crystals.

Put no more unfrozen food into the freezer than will freeze within 24 hours (no more than 2 to 3 lbs of food per cubic foot [907 to 1,350 g per 28 L] of freezer space). Leave enough space in the freezer for air to circulate around the packages. Be sure to leave enough room for the door to close tightly.

For more information on preparing food for freezing, check a freezer guide or reliable cookbook.

Refrigerator Operation

Power Interruptions

If the power will be out for 24 hours or less, keep the doors closed (depending on your model) to help food stay cold and frozen. If the power will be out for more than 24 hours, do one of the following:

- Remove all frozen food and store it in a frozen food locker.
- Place 2 lbs (907 g) of dry ice in the freezer for every cubic foot (28 L) of freezer space. This will keep the food frozen for 2 to 4 days.
- If neither a food locker nor dry ice is available, consume or can perishable food at once.

IMPORTANT: A full freezer stays cold longer than a partially filled one. A freezer full of meat stays cold longer than a freezer full of baked goods. If you see that food contains ice crystals, it may be refrozen, although the quality and flavor may be affected. If the condition of the food is poor, dispose of it.

Vacation Care

Your refrigerator is equipped with the Sabbath Mode feature, which is designed for the traveler who wishes to turn off the lights and ice maker. By selecting this feature, the temperature set points remain unchanged, the ice maker will be disabled and the interior lights will turn off. For most efficient refrigerator operation, it is recommended to exit the Sabbath Mode when it is no longer required.

If You Choose to Leave the Refrigerator On While You're Away:

1. Use up any perishables and freeze other items.
2. Touch the SABBATH MODE key.
3. If your refrigerator has an automatic ice maker, shut off the water supply to the ice maker.
4. Empty the ice bin.
5. When you return from vacation, touch SABBATH MODE to return to normal operation.

**SABBATH
MODE**

If You Choose to Turn the Refrigerator Off Before You Leave:

1. Remove all food from the refrigerator.
2. Turn off the water supply to the ice maker at least one day ahead of time.
3. When the last load of ice drops, turn the ice maker switch to OFF.
4. Turn the refrigerator OFF. See page 4.
5. Clean the refrigerator, wipe it, and dry well.
6. Tape rubber or wood blocks to the tops of both doors to prop them open far enough for air to get in. This stops odor and mold from building up.

Water Filter Certifications

State of California
Department of Health Services
Water Treatment Device
Certificate Number

05 - 1702

Date Issued: April 6, 2005
Date Revised: September 7, 2005

State of California
Department of Health Services
Water Treatment Device
Certificate Number

05 - 1703

Date Issued: April 6, 2005
Date Revised: September 7, 2005

Trademark/Model Designation	Replacement Elements
Whirlpool Deluxe T1WG2	T2RFGW2
Whirlpool Deluxe T1WG2L	T2RFGW2
KitchenAid Deluxe T1WG2	T2RFGW2
KitchenAid Deluxe T1WG2L	T2RFGW2

Manufacturer: Whirlpool Corporation

The water treatment device(s) listed on this certificate have met the testing requirements pursuant to Section 116830 of the Health and Safety Code for the following health related contaminants:

Microbiological Contaminants and Turbidity	Inorganic/Radiological Contaminants
None	Lead Mercury

Organic Contaminants

- Benzene
- Carbofuran
- o-Dichlorobenzene
- Toxaphene

Rated Service Capacity: 200 gals

Rated Service Flow: 0.5 gpm

Conditions of Certification:

Do not use with water that is microbiologically unsafe or of unknown quality, without adequate disinfection before or after the system.

Trademark/Model Designation	Replacement Elements
Whirlpool Deluxe T2WG2	T2RFGW2
Whirlpool Deluxe T2WG2L	T2RFGW2
KitchenAid Deluxe T2WG2	T2RFGW2
KitchenAid Deluxe T2WG2L	T2RFGW2

Manufacturer: Whirlpool Corporation

The water treatment device(s) listed on this certificate have met the testing requirements pursuant to Section 116830 of the Health and Safety Code for the following health related contaminants:

Microbiological Contaminants and Turbidity	Inorganic/Radiological Contaminants
None	Lead Mercury

Organic Contaminants

- Benzene
- Carbofuran
- o-Dichlorobenzene
- Toxaphene

Rated Service Capacity: 200 gals

Rated Service Flow: 0.85 gpm

Conditions of Certification:

Do not use with water that is microbiologically unsafe or of unknown quality, without adequate disinfection before or after the system.

Care and Cleaning

Cleaning

⚠ WARNING



Explosion Hazard

Use nonflammable cleaner.

Failure to do so can result in death, explosion, or fire.

Important information to know about glass shelves and covers:

Do not clean glass shelves or covers with warm water when they are cold. Shelves and covers may break if exposed to sudden temperature changes or impact, such as bumping. Tempered glass is designed to shatter into many small, pebble-size pieces. This is normal. Glass shelves and covers are heavy. Use both hands when removing them to avoid dropping.

Both the refrigerator and freezer sections defrost automatically. However, clean both compartments about once a month to avoid build-up of odors. Wipe up spills immediately.

To Clean Your Refrigerator:

1. Remove the top grille and turn off the main power switch. See *Turning the Main Power Switch On/Off* on page 3.
2. Remove all removable parts from inside, such as shelves, crispers, etc.
3. Hand wash, rinse, and dry removable parts and interior surfaces thoroughly. Use a clean sponge or soft cloth and a mild detergent in warm water.
 - Do not use abrasive or harsh cleaners such as window sprays, scouring cleansers, flammable fluids, cleaning waxes, concentrated detergents, bleaches or cleansers containing petroleum products on plastic parts, interior and door liners or gaskets. Do not use paper towels, scouring pads or other harsh cleaning tools. These items can scratch or cause damage.
 - To help remove odors, you can wash interior walls with a mixture of warm water and baking soda (2 tbs to 1 qt [26 g to 0.95 L] of water).
4. Wash stainless steel and painted metal exteriors with a clean sponge or soft cloth and a mild detergent in warm water. Do not use abrasive or harsh cleaners, or cleaners containing chlorine. Dry thoroughly with a soft cloth. Additionally, to avoid damage to painted metal exteriors, apply appliance wax (or auto paste wax) with a clean, soft cloth. Do not wax plastic parts.

NOTE: To keep your stainless steel surfaces looking like new and to remove minor scuffs or marks, you may use Dacor Stainless Steel Cleaner. Use it according to the directions on the bottle.

IMPORTANT: This cleaner is for stainless steel parts only! Do not allow the stainless steel cleaner and polish to come into contact with any plastic parts such as the trim pieces, dispenser covers or door gaskets. If unintentional contact does occur, clean the plastic part with a sponge and mild detergent in warm water. Dry thoroughly with a soft cloth.

5. Clean the condenser coils located behind the top grille ventilation panel regularly. Coils may need to be cleaned as often as every other month. This may help save energy. Use a vacuum cleaner with an extended attachment to clean the condenser coils when they are dusty or dirty.
6. Turn the main power switch on and replace the top grille.

Changing the Light Bulbs

NOTE: Not all appliance bulbs will fit your refrigerator. Be sure to replace the bulb with one of the same size and shape. The dispenser light requires a heavy duty 10-watt bulb. All other lights require a 40-watt maximum appliance bulb. Replacement bulbs are available from your Dacor dealer or an appliance store.

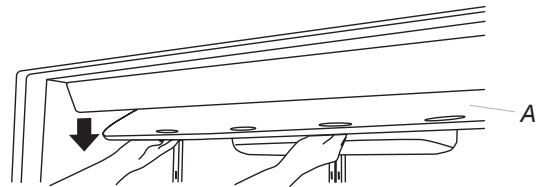
1. Remove the top grille and turn off the main power switch. See *Turning the Main Power Switch On/Off* on page 3.
2. Remove the light shield when applicable as shown.

NOTE: To clean a light shield, wash it with warm water and a liquid detergent. Rinse and dry the shield well.
3. Remove the light bulb and replace with one of the same size, shape and wattage.
4. Replace the light shield when applicable as shown.
5. Turn the main power switch on and replace the top grille.

Refrigerator Control Panel Lights

There are two or three light bulbs located in the top front of the refrigerator compartment behind a light shield.

- Open the light shield. Grasp the light shield by the openings. Gently push back and pull down, as shown, to access the light bulbs. Remove the light bulb and replace it with one of the same size, shape and wattage.



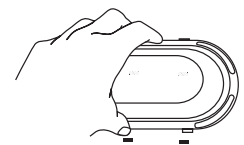
A. Light shield

- Close the light shield by raising it up into place.

NOTE: If needed, clean the light shield with a damp soft cloth.

Freezer and Crisper Lights

- Remove the light shield by grasping the top and bottom and squeezing in toward the center. Once the hooks on the shield are free from the freezer or crisper lining, remove the shield.
- Replace the light shield by squeezing the top and bottom toward the center and inserting the hooks into the slotted holes.



Care and Cleaning

Replacing the Water Filter

Do not use with water that is microbiologically unsafe or of unknown quality without adequate disinfection before or after the system. Systems certified for cyst reduction may be used on disinfected waters that may contain filterable cysts.

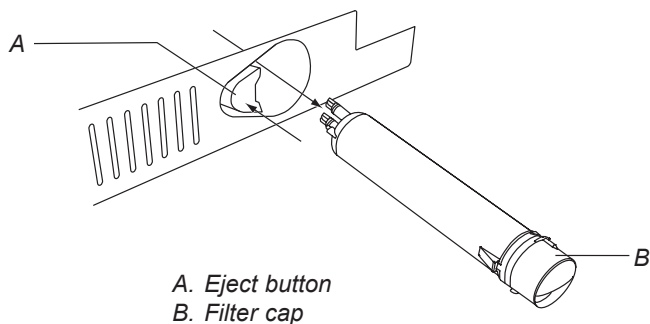
Replace the water filter with Dacor part number AFF6.

The water filter is located in the base grille below the freezer compartment door. It is not necessary to remove the base grille to remove the filter.

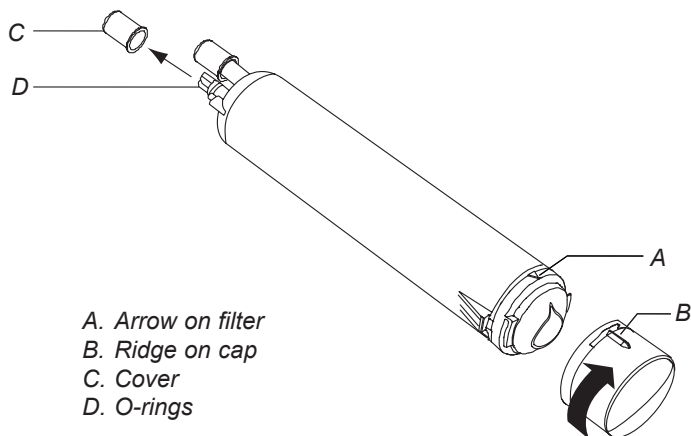
1. Remove the filter by pressing the eject button and pulling straight out on the filter cap.

NOTES:

- Avoid twisting the cap when removing the filter because this could cause the cap to come off. If this occurs, replace the cap and pull the filter straight out.
- There will be water in the filter. Some spilling may occur.

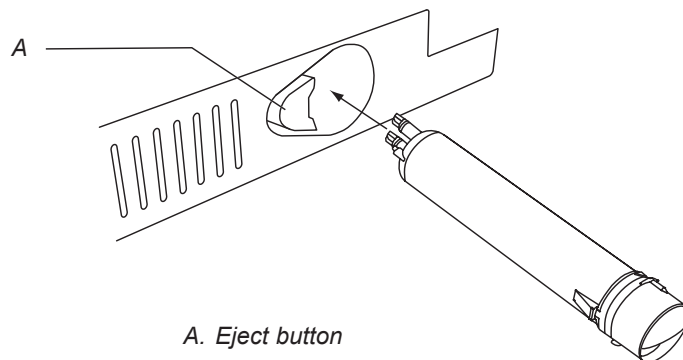


2. Remove the cap by turning it counterclockwise until it stops. **IMPORTANT:** Do not discard the cap. It is part of your refrigerator. Keep the cap to use with the replacement filter.
3. Place the cap (removed in Step 2) on the new filter. Align the ridge on the cap with the arrow on the filter. Turn the cap clockwise until it snaps into place.



4. Remove the covers from the O-rings. Be sure the O-rings are still in place after the covers are removed.

5. Push the new filter into the opening in the base grille. As the filter is inserted, the eject button will depress. The eject button will pop back out when the filter is fully engaged.

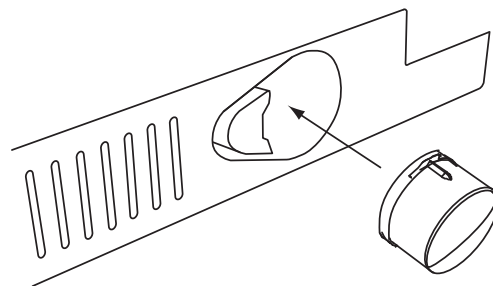


6. Pull gently on the cap to check that the filter is securely in place.
7. Flush the water system. See *Ice Maker and Storage Bin* on page 6.

Using the Dispenser Without the Water Filter

You can operate the ice maker without a water filter. Your ice will not be filtered.

1. Remove the filter by pressing the eject button and pulling on the cap. See *Replacing the Water Filter* earlier in this section.
2. Remove the filter cap by turning it counterclockwise until it stops. **IMPORTANT:** Do not discard the cap. It is part of your refrigerator. Keep it for future use.
3. With the cap in a horizontal position, insert the cap into the base grille until it stops.



4. Turn the cap counterclockwise until the cap slips into the attachment slot. Then, turn the cap clockwise until it is in a horizontal position.

NOTE: The cap will not be even with the base grille.

Troubleshooting

Try the solutions suggested here first in order to avoid the cost of an unnecessary service call.

Refrigerator will not operate

⚠ WARNING



Electrical Shock Hazard

Plug into a grounded 3 prong outlet.

Do not remove ground prong.

Do not use an adapter.

Do not use an extension cord.

Failure to follow these instructions can result in death, fire, or electrical shock.

- **Power cord unplugged?** Plug into a grounded 3 prong outlet.
- **Is outlet working?** Plug in a lamp to see if the outlet is working.
- **Household fuse blown or circuit breaker tripped?** Replace the fuse or reset the circuit breaker. If the problem continues, call an electrician.
- **Are controls on?** Make sure the refrigerator controls are on. See *Setting the Controls* (page 4).
- **Is refrigerator defrosting?** Your refrigerator will regularly run an automatic defrost cycle. Recheck in 30 minutes to see if it is operating.
- **New installation?** Allow 24 hours following installation for the refrigerator to cool completely.

NOTE: Adjusting the temperature controls to the coldest setting will not cool either compartment more quickly.

The refrigerator is noisy

Refrigerator noise has been reduced over the years. Due to this reduction, you may hear intermittent noises from your new refrigerator that you did not notice from your old model. Below are listed some normal sounds with an explanation.

- **Buzzing** - heard when the water valve opens to fill the ice maker
- **Pulsating** - fans/compressor adjusting to optimize performance
- **Rattling** - flow of refrigerant, water line, or from items placed on top of the refrigerator
- **Sizzling/Gurgling** - water dripping on the heater during defrost cycle
- **Popping** - contraction/expansion of inside walls, especially during initial cool-down
- **Water running** - may be heard when water melts during the defrost cycle and runs into the drain pan
- **Creaking/Cracking** - occurs as ice is being ejected from the ice maker mold

The motor seems to run too much

Your new refrigerator may run longer than your old one due to its high-efficiency compressor and fans. The unit may run even longer if the room is warm, a large food load is added, doors are opened often or if the doors have been left open.

There is no audible door open alarm

Has the door been open less than 10 minutes? The door open alarm will only flash when the door has been open for 10 minutes. The audible alarm will sound the first time the door is left open for more than 10 minutes. Subsequent door open alarms will only flash. You must reset the audible alarm each time. See *Setting the Controls* on page 4.

The doors will not close completely

- **Door blocked open?** Move food packages away from door.
- **Bin or shelf in the way?** Push bin or shelf back in the correct position.

The doors are difficult to open

⚠ WARNING



Explosion Hazard

Use nonflammable cleaner.

Failure to do so can result in death, explosion, or fire.

- **Are the gaskets dirty or sticky?** Clean gaskets with mild soap and warm water.

The lights do not work

- **Is a light bulb loose in the socket or burned out?** See *Changing the Light Bulbs* (page 10).
- **Is the refrigerator in Sabbath mode?** See *Sabbath Mode* (page 5).
- **Has the door been open more than 10 minutes?** See *Setting the Controls* (page 4).

Temperature is too warm

- **New installation?** Allow 24 hours following installation for the refrigerator to cool completely.
- **Doors opened often or left open?** Allows warm air to enter refrigerator. Minimize door openings and keep doors fully closed.
- **Large load of food added?** Allow several hours for refrigerator to return to normal temperature.
- **Controls set correctly for the surrounding conditions?** Adjust the controls a setting colder. Check temperature in 24 hours. See *Setting the Controls* (page 4).
- **Refrigerator not cooling?** For models with digital controls, turn the refrigerator OFF and then ON to reset. If this does not correct the problem, call for service.

Troubleshooting

- **Air vents blocked?** Remove any item from in front of the air vents.
- **Refrigerator not cooling?** Turn the unit *OFF* then *ON* again to reset. See *Setting the Controls* (page 4). If the problem is not corrected, call for service.

There is interior moisture buildup

NOTE: Some moisture buildup is normal.

- **Humid room?** Contributes to moisture buildup.
- **Door(s) opened often or left open?** Allows humid air to enter refrigerator. Minimize door openings and keep doors fully closed.

The ice maker is not producing ice or not enough ice

- **Refrigerator connected to a water supply and the supply shutoff valve turned on?** Connect the refrigerator to water supply and turn the water shutoff valve fully open.
- **Kink in the water source line?** A kink in the line can reduce water flow. Straighten the water source line.
- **Ice maker turned on?** Make sure the ice maker arm is in the up position.
- **New installation?** Wait 24 hours after ice maker installation for ice production to begin. Wait 72 hours for full ice production.
- **Large amount of ice recently removed?** Allow 24 hours for ice maker to produce more ice.
- **Ice cube jammed in the ice maker ejector arm?** Remove ice from the ejector arm with a plastic utensil.
- **Reverse osmosis water filtration system connected to your cold water supply?** This can decrease water pressure. See *Water Supply Requirements* (page 2).

The ice cubes are hollow or small

NOTE: This is an indication of low water pressure.

- **Water shutoff valve not fully open?** Turn the water shutoff valve fully open.
- **Kink in the water source line?** A kink in the line can reduce water flow. Straighten the water source line.
- **Reverse osmosis water filtration system connected to your cold water supply?** See *Water Supply Requirements* (page 2).
- **Questions remain regarding water pressure?** Call a licensed, qualified plumber.

Ice is sticking together in the ice storage bin

- It is normal for frost to be on top of the ice storage bin due to normal opening and closing of the freezer.
- It is normal for ice to stick together when it is not dispensed or used frequently. It is recommended that the ice storage bin be emptied and cleaned as needed. See *Ice Maker and Storage Bin* (page 6).

Off-taste, odor or gray color in the ice

- **New plumbing connections?** New plumbing connections can cause discolored or off-flavored ice.
- **Ice stored too long?** Discard ice. Wash ice bin. Allow 24 hours for ice maker to make new ice.
- **Odor transfer from food?** Use airtight, moisture proof packaging to store food.
- **Are there minerals (such as sulfur) in the water?** A water filter may need to be installed to remove the minerals.
- **Is there a water filter installed on the refrigerator?** Gray or dark discoloration in ice indicates that the water filtration system needs additional flushing..

Warranty and Service

Getting Help

Before you request service:

1. Review the **Troubleshooting** section of this manual (see page 12).
2. Follow the troubleshooting instructions.
3. Become familiar with the warranty terms and conditions of your product on the following page.
4. If none of these tips or suggestions resolves your problem, call our Customer Service center at the number below.

Dacor's Customer Service center is available 6:00 A.M. – 5:00 P.M. Pacific Time

For warranty repairs or questions and for Dacor Distinctive Service (DDS) in the US and Canada
Phone: (800) 793-0093, extension 2822

For non-warranty repairs or questions in the US and Canada
Phone: (800) 793-0093, extension 2813

Contact us through our web site at:

www.dacor.com/contact-us

Warranty and Service

Warranty

What is Covered

CERTIFICATE OF WARRANTIES DACOR REFRIGERATORS

WITHIN THE FIFTY STATES OF THE U.S.A., THE DISTRICT OF COLUMBIA AND CANADA*:

FULL TWO-YEAR WARRANTY

The warranty applies only to the Dacor appliance sold to the first use purchaser, starting from the date of original retail purchase or closing date for new construction, whichever period is longer. Warranty is valid on products purchased brand new from a Dacor Authorized Dealer, or other seller authorized by Dacor.

If your Dacor product fails to function within two years of the original date of purchase due to a defect in material or workmanship, Dacor will remedy it without charge to you.

All cosmetic damage (such as scratches on stainless steel, paint/porcelain blemishes, etc.) to the product or included accessories must be reported to Dacor within 60 days of the original purchase date to qualify for warranty coverage.

30 day limited warranty on water filter. For 30 days from the date of purchase, when this filter is operated and maintained according to instructions attached to or furnished with the product, Dacor will pay for replacement parts to correct defects in materials and workmanship.

Except as noted above, consumable parts such as filters and light bulbs are not covered and are the responsibility of the purchaser.

*Warranty is null and void if non-CSA approved product is transported from the U.S.A.

LIMITED WARRANTY

In the third through sixth years from the date of purchase, when this major appliance is operated and maintained according to instructions attached to or furnished with the product, Dacor will pay for factory specified parts and repair labor costs to correct defects in materials or workmanship in the sealed refrigeration system. These parts are: compressor, evaporator, condenser, dryer and connecting tubing.

In the seventh through twelfth years from date of purchase, when this major appliance is operated and maintained according to instructions attached to or furnished with the product, Dacor will pay for factory specified parts to correct defects in materials or workmanship in the sealed refrigeration system. These parts are: compressor, evaporator, condenser, dryer and connecting tubing.

LIMITATIONS OF COVERAGE

Service will be provided by a Dacor designated service company during regular business hours. Please note service providers are independent entities and are not agents of Dacor.

Dealer display and model home display products with a production date greater than 5 years, products sold "As Is," and products installed for non-residential use, which include but are not limited to religious organizations, fire stations, bed and breakfast and spas carry a one year parts warranty only. All delivery, installation, labor costs, and other service fees are the responsibility of the purchaser.

Warranty will be null and void on product that has altered, defaced, or missing serial numbers and tags.

The owner must provide proof of purchase or closing statement for new construction upon request. All Dacor products must be accessible for service.

OUTSIDE THE FIFTY STATES OF THE U.S.A., THE DISTRICT OF COLUMBIA, AND CANADA:

LIMITED FIRST YEAR WARRANTY

If your Dacor product fails to function within one year of the original date of purchase due to a defect in material or workmanship, Dacor will furnish a new part, F.O.B. factory to replace the defective part.

All delivery, installation, labor costs and other service fees are the responsibility of the purchaser.

What is Not Covered

- Slight color variations may be noticed because of differences in painted parts, kitchen lighting, product placement and other factors; this warranty does not apply to color variation.
- Service calls to educate the customer on proper use and care of the product.
- Service fees for travel to islands and remote areas, which include but are not limited to, ferries, toll roads or other expenses.
- Consequential or incidental damage, including but not limited to food or medicine loss, time away from work or restaurant meals.
- Failure of the product when used for commercial, business, rental or any application other than for residential consumer use.
- Failure of the product caused by improper product installation.
- Replacement of house fuses or resetting of circuit breakers.
- Damage to the product caused by accident, fire, flood, power interruption, power surges or other acts of God.
- Liability or responsibility for damage to surrounding property including cabinetry, floors, ceilings and other structures or objects around the product.
- Breakage, discoloration or damage to glass, metal surfaces, plastic components, trim, paint or other cosmetic finish caused by improper usage, care, abuse or neglect.

The cost of repair or replacement under these excluded circumstances shall be borne by the customer.

Out of Warranty

Should you experience a service issue beyond the standard warranty period, please contact us. Dacor reviews each issue and customer concern to provide the best possible solution based on the circumstances.

THE REMEDIES PROVIDED IN THE ABOVE EXPRESS WARRANTIES ARE THE SOLE AND EXCLUSIVE REMEDIES. THEREFORE, NO OTHER EXPRESS WARRANTIES ARE MADE, AND OUTSIDE THE FIFTY STATES OF THE UNITED STATES, THE DISTRICT OF COLUMBIA AND CANADA, ALL IMPLIED WARRANTIES, INCLUDING BUT NOT LIMITED TO, ANY IMPLIED WARRANTY OF MERCHANTABILITY OR FITNESS FOR A PARTICULAR USE OR PURPOSE, ARE LIMITED IN DURATION TO ONE YEAR FROM THE DATE OF ORIGINAL PURCHASE. IN NO EVENT SHALL DACOR BE LIABLE FOR INCIDENTAL EXPENSE OR CONSEQUENTIAL DAMAGES. IN THE EVENT DACOR PREVAILS IN ANY LAWSUIT, DACOR SHALL BE ENTITLED TO REIMBURSEMENT OF ALL COSTS AND EXPENSES, INCLUDING ATTORNEY'S FEES, FROM THE DACOR CUSTOMER. NO WARRANTIES, EXPRESS OR IMPLIED, ARE MADE TO ANY BUYER FOR RESALE.

Some states do not allow limitations on how long an implied warranty lasts, or do not allow the exclusion or limitation of inconsequential damages, therefore the above limitations or exclusions may not apply to you. This warranty gives you specific legal rights, and you may also have other rights that vary from state to state.

Product Data Sheets

Base Grille Water Filtration System

Model P2RFGG2/P2WG2L, P2WG2, P1WG2L, P1WG2

Capacity 200 Gallons (757 Liters)



System tested and certified by NSF International against NSF/ANSI Standard 42 for the reduction of Chlorine Taste and Odor, Particulate Class I; and against NSF/ANSI Standard 53 for the reduction of Mercury, Benzene, Toxaphene, O-dichlorobenzene, and Lead.

This system has been tested according to NSF/ANSI Standards 42 and 53 for the reduction of the substances listed below. The concentration of the indicated substances in water entering the system was reduced to a concentration less than or equal to the permissible limit for water leaving the system, as specified in NSF/ANSI Standards 42 and 53.

Substance Reduction Aesthetic Effects	NSF Reduction Requirements	Average Influent	Influent Challenge Concentration	Maximum Effluent	Average Effluent	Minimum % Reduction	Average % Reduction
Chlorine Taste/Odor Particulate Class I	50% reduction 85% reduction	2.0182 mg/L 1333333 #/mL	2.0 mg/L ± 10% At least 10,000 particles/mL	0.06 mg/L 6600 #/mL*	0.0536 mg/L 2325 #/mL	97.03 99.51	97.39 99.9

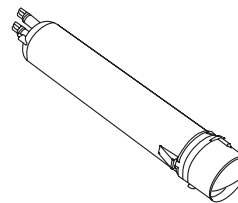
Contaminant Reduction	NSF Reduction Requirements	Average Influent	Influent Challenge Concentration	Maximum Effluent	Average Effluent	Minimum % Reduction	Average % Reduction
Lead: @ pH 6.5 Lead: @ pH 8.5	0.010mg/L 0.010mg/L	0.1533 mg/L 0.1400 mg/L	0.15 mg/L ± 10% 0.15 mg/L ± 10%	0.0005 mg/L 0.0007 mg/L	0.0005 mg/L 0.0006 mg/L	99.67 99.50	99.29 99.14
Mercury: @ pH 6.5 Mercury: @ pH 8.5	0.002 mg/L 0.002 mg/L	0.0058 mg/L 0.0059 mg/L	0.006 mg/L ± 10% 0.006 mg/L ± 10%	0.0002 mg/L 0.0005 mg/L	0.0002 mg/L 0.0003 mg/L	96.54 91.57	96.25 82.72
Benzene	0.005 mg/L	0.0154 mg/L	0.015 ± 10%	0.0012 mg/L	0.0006 mg/L	92.22	96.88
O-Dichlorobenzene	0.6 mg/L	1.7571 mg/L	1.8 mg/L ± 10%	0.0250 mg/L	0.0066 mg/L	98.58	99.97
Toxaphene	0.003 mg/L	0.015 mg/L	0.015 ± 10%	0.001 mg/L	0.001 mg/L	93.33	92.77

Test Parameters: pH = 7.5 ± 0.5 unless otherwise noted. Flow = 0.85 gpm (3.2 Lpm). Pressure = 60 psig (413.7 kPa). Temp. = 68°F to 71.6°F (20°C to 22°C). Rated service capacity = 200 gallons (757 liters).

- It is essential that operational, maintenance and filter replacement requirements be carried out for the product to perform as advertised.
- Use replacement filter P2RFGG2, Dacor part # AFF6. Visit www.everythingdacor.com or call 1-800-253-1302 (In Canada call 1-800-807-6777).
- When the water filter status display changes from GOOD to ORDER FILTER, order a new filter. When the filter indicator reads REPLACE FILTER, it is recommended that you replace the filter.
- These contaminants are not necessarily in your water supply. While testing was performed under standard laboratory conditions, actual performance may vary.
- The product is for cold water use only.
- Do not use with water that is microbiologically unsafe or of unknown quality without adequate disinfection before or after the system.
- Refer to the *Warranty and Service* section for the Manufacturer's name, address and telephone number.
- Refer to the *Warranty and Service* section for the Manufacturer's limited warranty.

Application Guidelines/Water Supply Parameters

Water Supply	City or Well
Water Pressure	30 - 120 psi (207 - 827 kPa)
Water Temperature	33° - 100°F (0.6° - 37.8°C)
Service Flow Rate	0.5 GPM (3.2 Lpm) @ 60 psi.



* Test requirement is at least 100,000 particles/mL of AC Fine Test Dust.

® NSF is a registered trademark of NSF International.

Manufactured for Whirlpool Corporation (Benton Harbor, MI) by Kemflo International (Pingtung, TW)

Notes

