

# DYF42BNDI, DYF48BNDI



## Discovery™ 42" and 48" Wide Built-In Custom Panel Refrigerators

## PLANNING GUIDE

### Location Requirements

Your Dacor refrigerator can be recessed in an opening between cabinets or installed at the end of a cabinet run using a side panel to enclose the refrigerator.

### IMPORTANT:

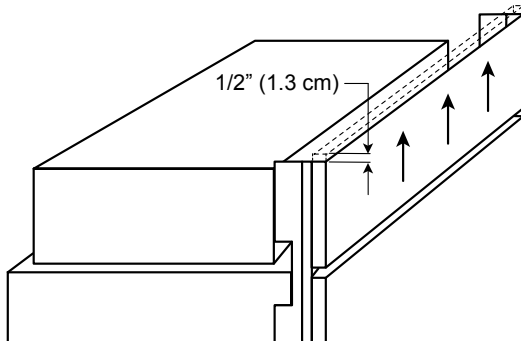
- ◇ The location must allow the refrigerator to be moved out from the wall without being disconnected in the event that service become necessary.
- ◇ It is recommended that you do not install the refrigerator near an oven, radiator, or other heat source.
- ◇ Do not install in a location where the temperature will fall below 55°F (13°C).
- ◇ Floor must support the refrigerator weight, more than 600 lbs. (272 kg), door panels and contents of the refrigerator.
- ◇ Ceiling height must allow for side tipping radius. See installation instructions.
- ◇ Location should permit doors to open fully. See *Door Swing Dimensions*.
- ◇ Location must permit top grille removal. See *Opening Dimensions*.
- ◇ A grounded 3 prong electrical outlet should be placed in the area shown in the diagram on the right. See **Electrical Requirements** for more information.
- ◇ The water shutoff should be located in the base cabinet on either side of the refrigerator or some other easily accessible area. If the water shutoff valve is not in the cabinets, the plumbing for the water line can come through the floor or the back wall. See **Water Supply Requirements** for more information.

### Opening Dimensions

- ◇ To avoid tipping during use, the solid soffit must be within 1" (2.5 cm) maximum above the refrigerator. If the solid soffit is higher than 1" (2.5 cm) or one is not available, then the refrigerator must be braced.

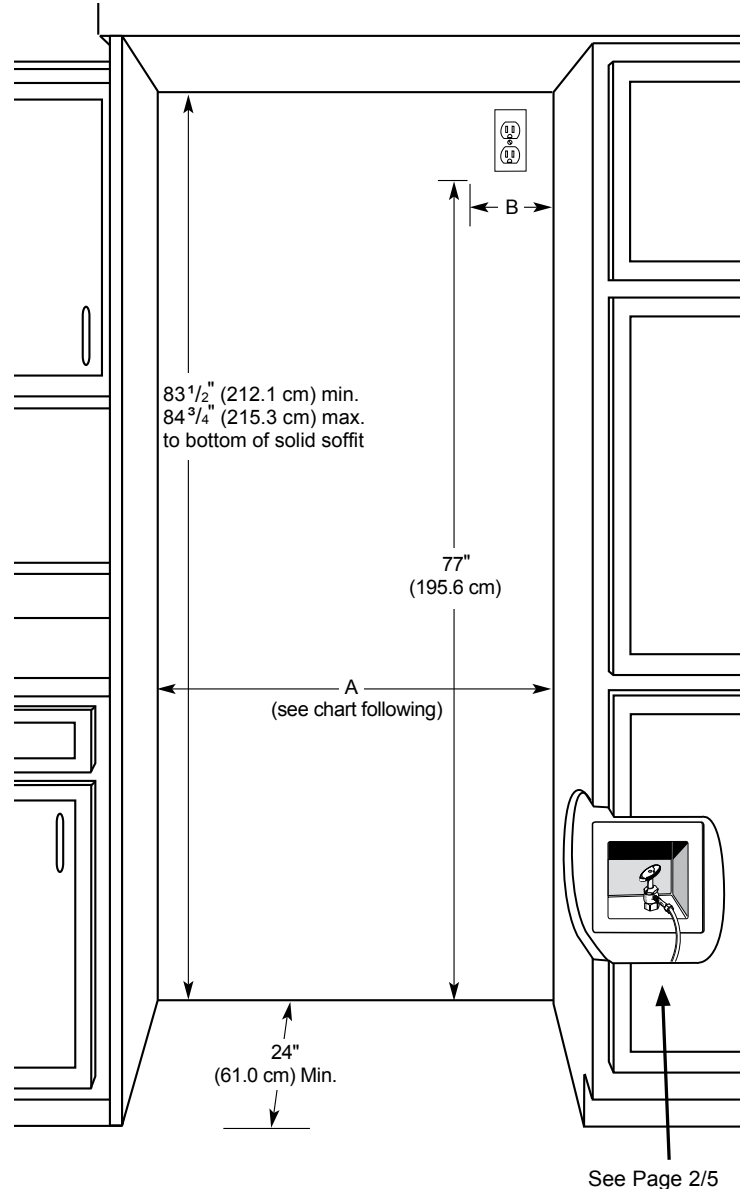
If the anti-tip boards are needed, they must be attached to the rear wall studs 80" to 90" (203.2 cm to 228.6 cm) above the floor. See *installation instructions* for more information.

**NOTE:** A clearance of 1/2" (1.3 cm) must be maintained above the top grille in order for the top grille to be removed.



### ⚠ WARNING

- Observe all governing codes and ordinances during planning and installation. Contact your local building department for further information.
- This appliance must be installed in accordance with the accompanying installation instructions.



See Page 2/5

Model Series	Cutout Width A	Dimension B
DYF42BNDI	41 1/2" (105.4 cm) to 41 3/4" (106.0 cm)	10" (25.4 cm)
DYF48BNDI	47 1/2" (120.7 cm) to 47 3/4" (121.3 cm)	16" (40.6 cm)

**NOTE:** Flooring under refrigerator must be at same level as the room. Face of cabinetwork must be plumb.

# DYF42BNDI, DYF48BNDI



## Discovery 42" and 48" Wide Built-In Custom Panel Refrigerators

## PLANNING GUIDE

### Electrical Requirements

The electrical circuit must meet all local codes and ordinances.

### Recommended Grounding Method

A 115 Vac, 60 Hz., 15 or 20 Amp. fused, grounded electrical supply is required. It is recommended that a separate circuit serving only your refrigerator be provided. Use an outlet that cannot be turned off by a switch. Do not use an extension cord.

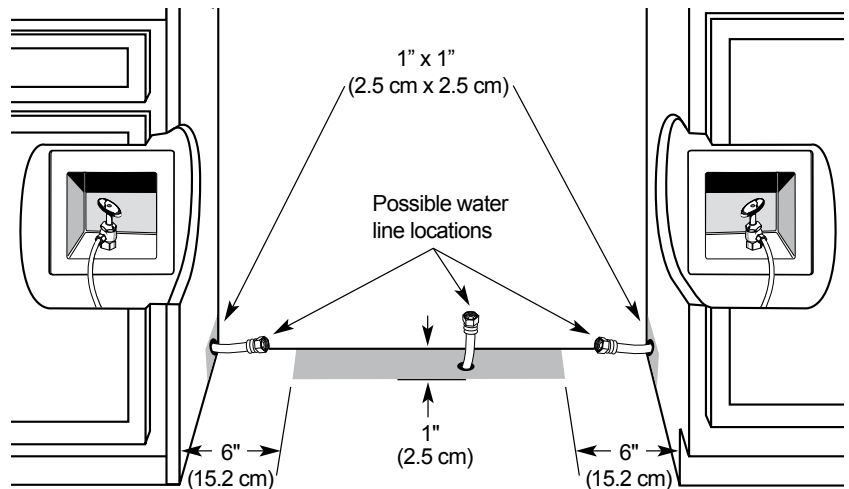
**IMPORTANT:** If this product is connected to a GFCI (Ground Fault Circuit Interrupter) protected outlet, nuisance tripping of the power supply may occur, resulting in loss of cooling. Food quality and flavor may be affected.

### Water Supply Requirements

- ◇ The water shutoff should be located in the base cabinet on either side of the refrigerator or some other easily accessible area. The right-hand side is recommended.

**NOTE:** If the water shut off valve is in the back wall behind the refrigerator, it must be at an angle so that the tube is not kinked when the refrigerator is pushed into its final position.

- ◇ If the water shutoff valve is not in the cabinets, the plumbing for the water line can come through the floor. A  $\frac{1}{2}$ " (1.3 cm) hole for plumbing should be drilled at least 6" (15.2 cm) from the right or left hand side cabinet or panel. On the floor, the hole should be no more than 1" (2.5 cm) away from the back wall.
- ◇ Your refrigerator dealer has a kit available with a  $\frac{1}{4}$ " (6.4 mm) saddle-type shutoff valve. Before purchasing, make sure a saddle-type valve complies with your local plumbing codes.
- ◇ Do not use a piercing-type or  $\frac{3}{16}$ " (4.8 mm) saddle valve which reduces water flow and clogs more easily.
- ◇ Install the water supply line only in areas where the household temperatures will remain above freezing.



### Water Pressure

A cold water supply with water pressure between 30 and 120 psi (207 and 827 kPa) is required to operate the water dispenser and ice maker.

### Reverse Osmosis Water Supply

**IMPORTANT:** The pressure of the water supply coming out of a reverse osmosis system going to the water inlet valve of the refrigerator needs to be between 30 and 120 psi (207 and 827 kPa). If a reverse osmosis water filtration system is connected to your cold water supply, the water pressure to the reverse osmosis system needs to be a minimum of 40 to 60 psi (276 to 414 kPa).

# DYF42BNDI, DYF48BNDI



## Discovery 42" and 48" Wide Built-In Custom Panel Refrigerators

## PLANNING GUIDE

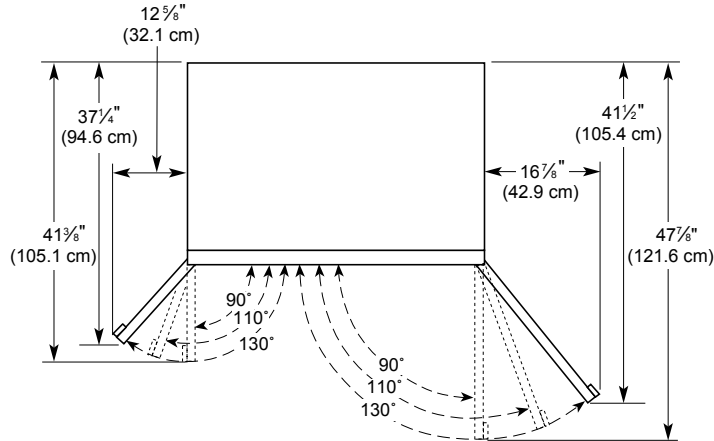
### Door Swing Dimensions

The location must permit both doors to open to a minimum of 90°. Allow 4½" (11.4 cm) minimum space between the side of the refrigerator and a corner wall.

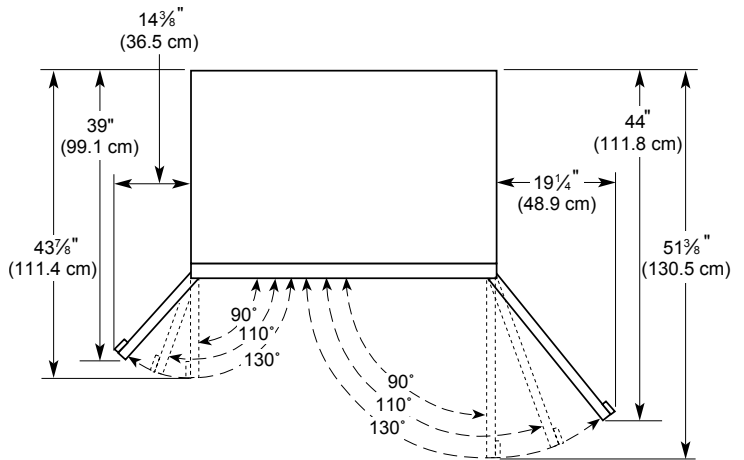
**NOTE:** Additional space may be required depending on the overlay panel thickness (see below).

To adjust the door swing, see the installation instructions.

### Model DYF42BNDI



### Model DYF48BNDI

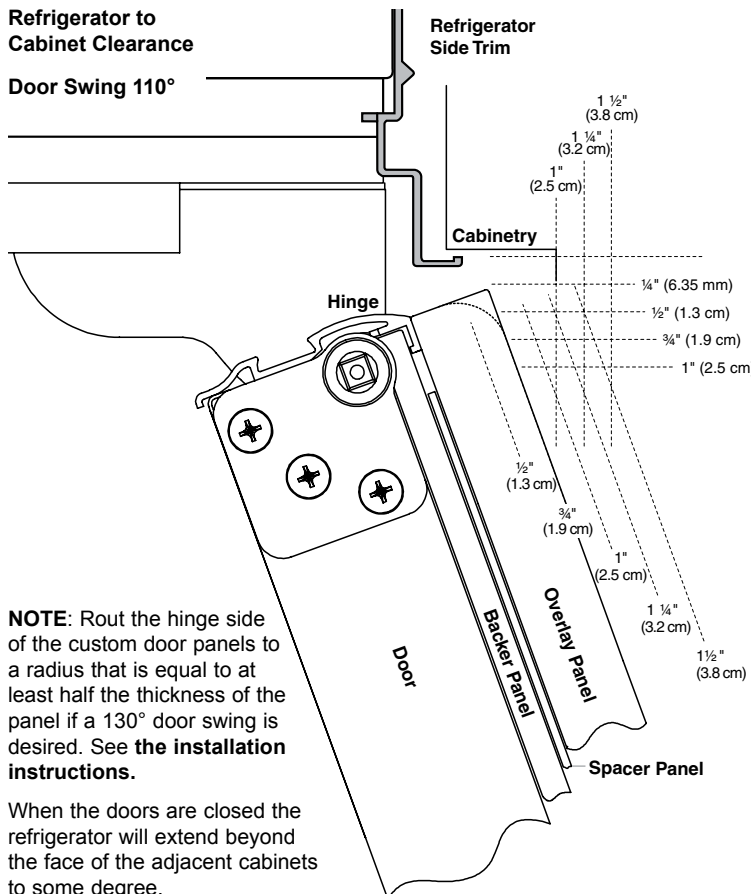


### Door Panels and Cabinetry Clearance - Door Swing 110°

The custom door panels and adjacent cabinetry must be designed so that there is sufficient clearance for the doors to swing open. If the refrigerator is to be installed close to the wall, see **Door Swing 90°**.

#### Refrigerator to Cabinet Clearance

#### Door Swing 110°

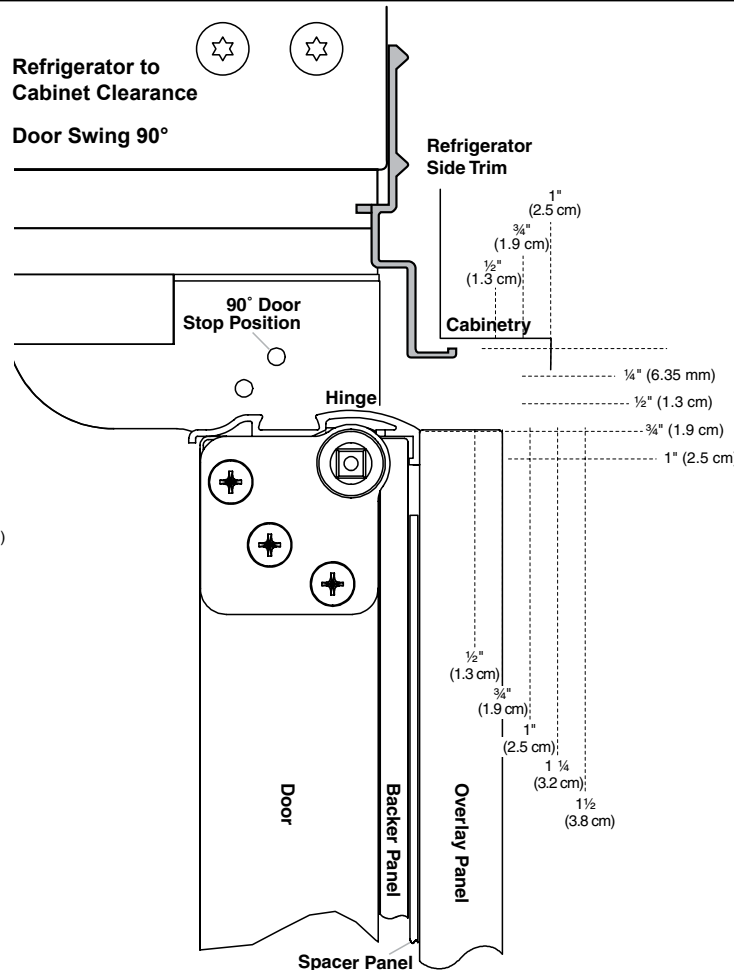


**NOTE:** Rout the hinge side of the custom door panels to a radius that is equal to at least half the thickness of the panel if a 130° door swing is desired. See the **installation instructions**.

When the doors are closed the refrigerator will extend beyond the face of the adjacent cabinets to some degree.

#### Refrigerator to Cabinet Clearance

#### Door Swing 90°



Allow a minimum of 4½" (11.4 cm) of space between the side of the refrigerator and a corner wall. More clearance may be needed if thicker custom panels or custom handles are used. Do not overlook baseboards.

# DYF42BNDI, DYF48BNDI

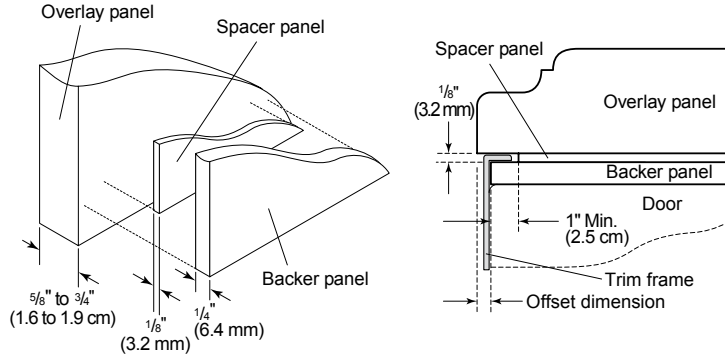


## Discovery 42" and 48" Wide Built-In Custom Panel Refrigerators

## PLANNING GUIDE

### Custom Panels

The custom overlay panels allow you to blend the exterior of your refrigerator into the overall kitchen décor, and to use custom handles for additional design flexibility. The custom panels must have backer panels attached in order to mount them to the refrigerator. It is most common to work with three panels, as shown in the graphic on the right. A decorative overlay panel, a 1/8" (3.2 mm) spacer panel or spacer strips and a 1/4" (6.4 mm) backer panel.



In some cases, your cabinet manufacturer may choose to work with one panel routed for the different dimensions. Follow these panel dimension and placement instructions to be sure that the custom overlay panels will fit properly.

**IMPORTANT: Install the panels after moving the refrigerator into place.**

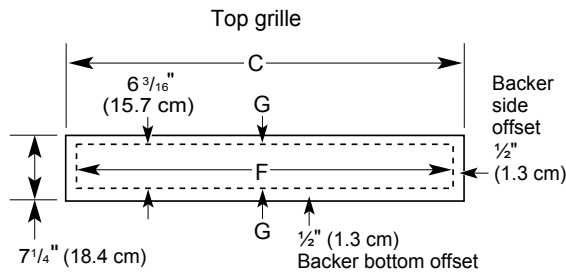
**The weight of the overlay panels cannot exceed:**

50 lbs (22.7 kg) for the refrigerator door.

40 lbs. (18.1 kg) for the freezer door.

10 lbs (4.5 kg) for the top grille.

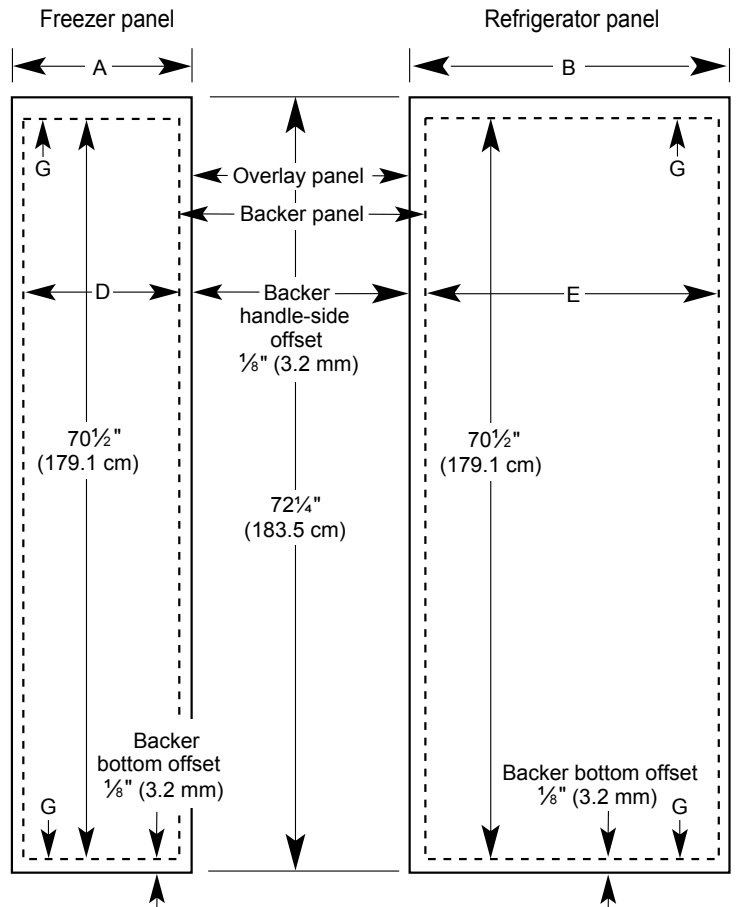
To minimize panel weight, you may use 2" (5.1 cm) spacer strips around the perimeter in place of full-sheet solid spacer panels. The spacer strips must be set in at least 1" (2.5 cm) from the top, bottom and sides edges of the backer panel. If you use spacer strips, it is also recommended that you use two 2" (5.1 cm) strips horizontally centered for added support.



Decorative Overlay Panels			
Series	A	B	C
DYF42	17 1/4" (43.8 cm)	23 1/4" (59.1 cm)	40 3/4" (103.5 cm)
DYF48	19 3/4" (50.2 cm)	26 3/4" (68.0 cm)	46 3/4" (118.8 cm)

Backer Panels			
Series	D	E	F
DYF42	16 3/4" (42.6 cm)	22 3/4" (57.8 cm)	40 3/4" (101.0 cm)
DYF48	19 1/4" (48.9 cm)	26 1/4" (66.7 cm)	46 3/4" (116.2 cm)

**G** - Denotes top and bottom edges of backer panel that slide into trim frame on door and top grille.



# DYF42BNDI, DYF48BNDI



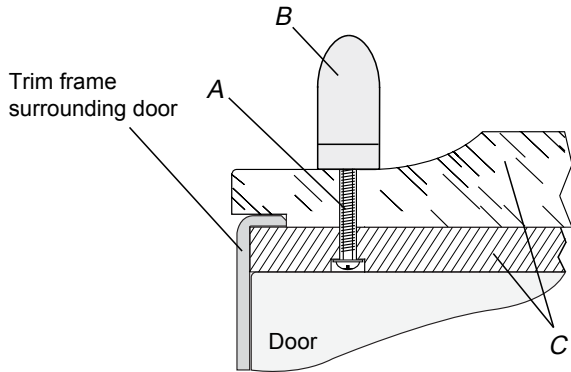
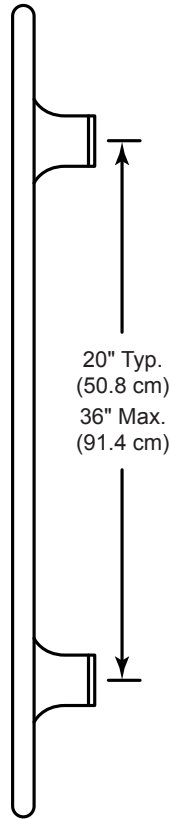
## Discovery 42" and 48" Wide Built-In Custom Panel Refrigerators

## PLANNING GUIDE

### Custom Handle Dimensions and Installation

- ◇ Before installing a custom panel assembly, you must install the custom handle hardware. The handle and handle mounting hardware are not provided with the refrigerator.
- ◇ Dacor recommends handles with larger D-style pulls. Any handle designed for use with an appliance should produce satisfactory results. Handle kits are available through your Dacor dealer.
- ◇ Handle kits do not include the necessary mounting screws since screw length required varies with the total thickness of the panels. The panel craftsman must determine and obtain the proper mounting screws for the application. If using screws with thick heads, they must be countersunk into the panel before installing the handles.

**IMPORTANT:** Dacor does not advise the use of single pull knobs.



- A. Countersunk screw
- B. Handle
- C. Door panel assembly

### Custom Side Panels

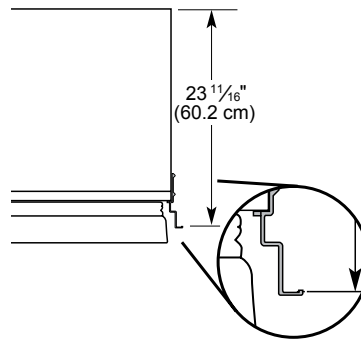
Custom side panels may be needed when not enough space is available to have cabinets on both sides of the refrigerator or when the refrigerator is placed at the end of a cabinet run.

### Refrigerator and Side Trim Dimensions

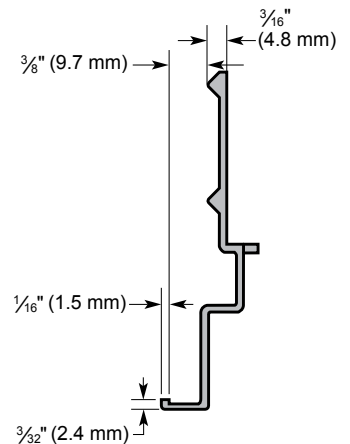
The width and height of a side panel are determined by the type of installation you are planning.

#### NOTES:

- The dimensions shown are actual product dimensions and may not reflect the needed installation dimensions.
- The side panel should be a minimum of 1/2" (1.3 cm) thick to avoid warping.
- If the opening depth is 25" (63.5 cm) or more, you may want to install a support board on rear wall.



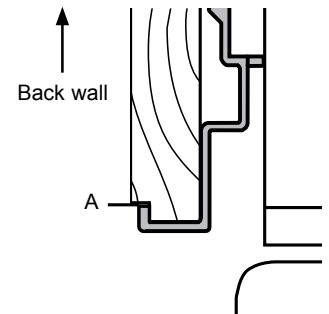
REFRIGERATOR



SIDE TRIM

### Inset Installation Dimensions

- Measure the distance from point A (as shown) to the back wall. Add 1/32" (0.8 mm) to this measurement to allow the side panel to fit into the trim.
- If the panel is more than 3/8" (9.5 mm) thick, rout the front edge to allow the side panel to fit into the trim.



### Recessed Inset Installation Dimensions

- Measure the distance from point B (as shown) to back wall.
- Route the front edge of the support board or attach a 3/8" (9.5 mm) board to hold the panel in the cabinet side trim.

