

DR30GS, DR30GFS, DR30GIS, DR30GIFS

Document # PG05-007

Revised 12/12/12 Page 1/5



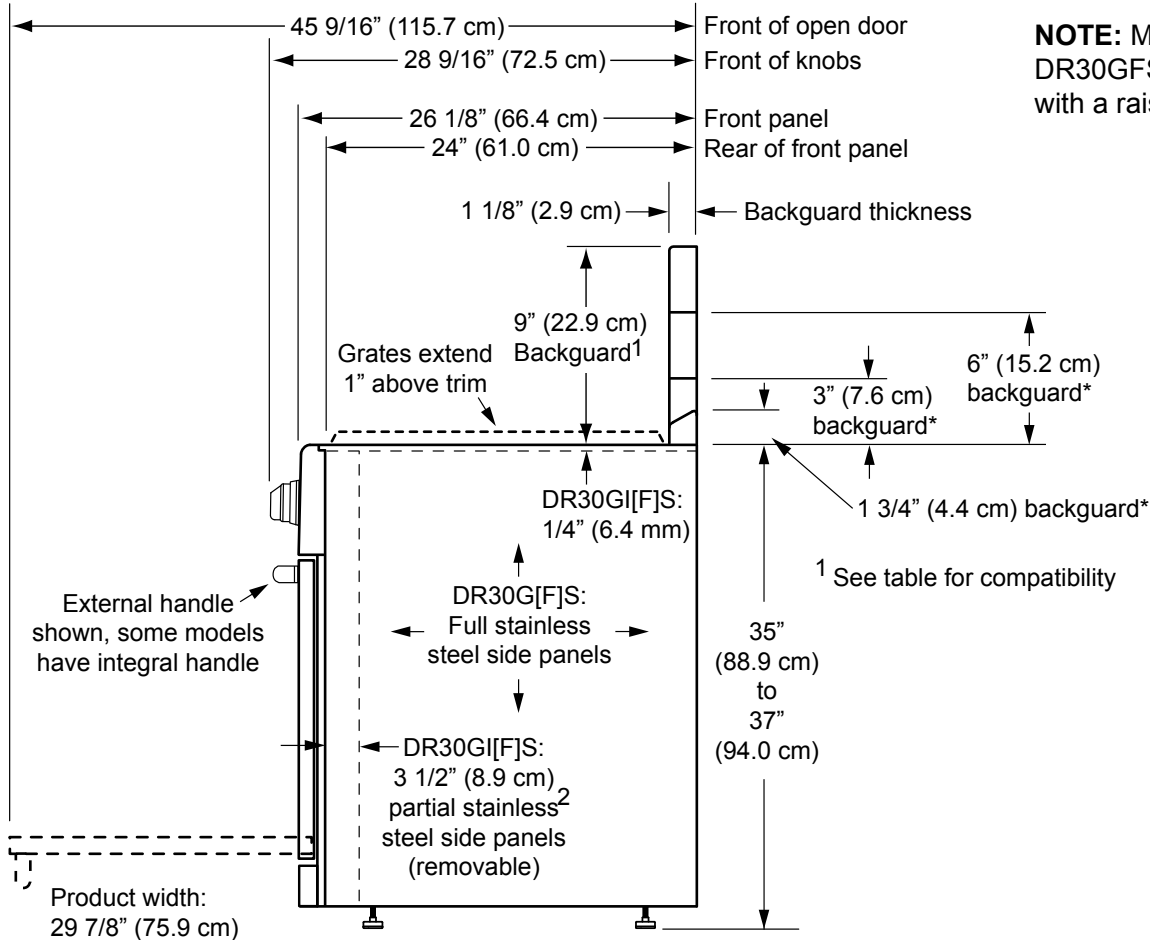
Distinctive™ 30" Wide All Gas Ranges

PLANNING GUIDE

All tolerances ±1/16" (±1.6 mm) unless otherwise noted.

⚠ WARNING

- Observe all governing codes and ordinances during planning and installation. Contact your local building department for further information.
- This appliance must be installed in accordance with the accompanying installation instructions.



NOTE: Models DR30GS and DR30GFS are not compatible with a raised vent.

¹ See table for compatibility

OVERALL DEPTH DIMENSIONS - SIDE VIEW

² Revision A of range models DR30GIS and DR30GIFS are equipped with 3 1/4 inch (partial) side panels. The serial number for these units start with "FA". The cutouts for models DR30GIS and DR30GIFS shown on the following pages are designed to fit all revisions, although a trim kit may be required for revision A ranges installed with a raised vent.

Part Number	Description	Compatibility
AER30GLBG	Low profile (1 3/4 inch)	Standard on models DR30GIS, DR30GIFS Optional on models DR30GS, DR30GFS
AERB30G03	3 Inch	Optional on models DR30GS, DR30GFS NOT compatible with models DR30GIS, DR30GIFS
AERB30G06	6 Inch	Standard on models DR30GS, DR30GFS NOT compatible with models DR30GIS, DR30GIFS
AERB30G09	9 Inch	Optional on models DR30GS, DR30GFS NOT compatible with models DR30GIS, DR30GIFS

¹ Only backguard model AER30GLBG is compatible with a raised vent.

AVAILABLE BACKGUARDS



DR30GS, DR30GFS, DR30GIS, DR30GIFS

Document # PG05-007

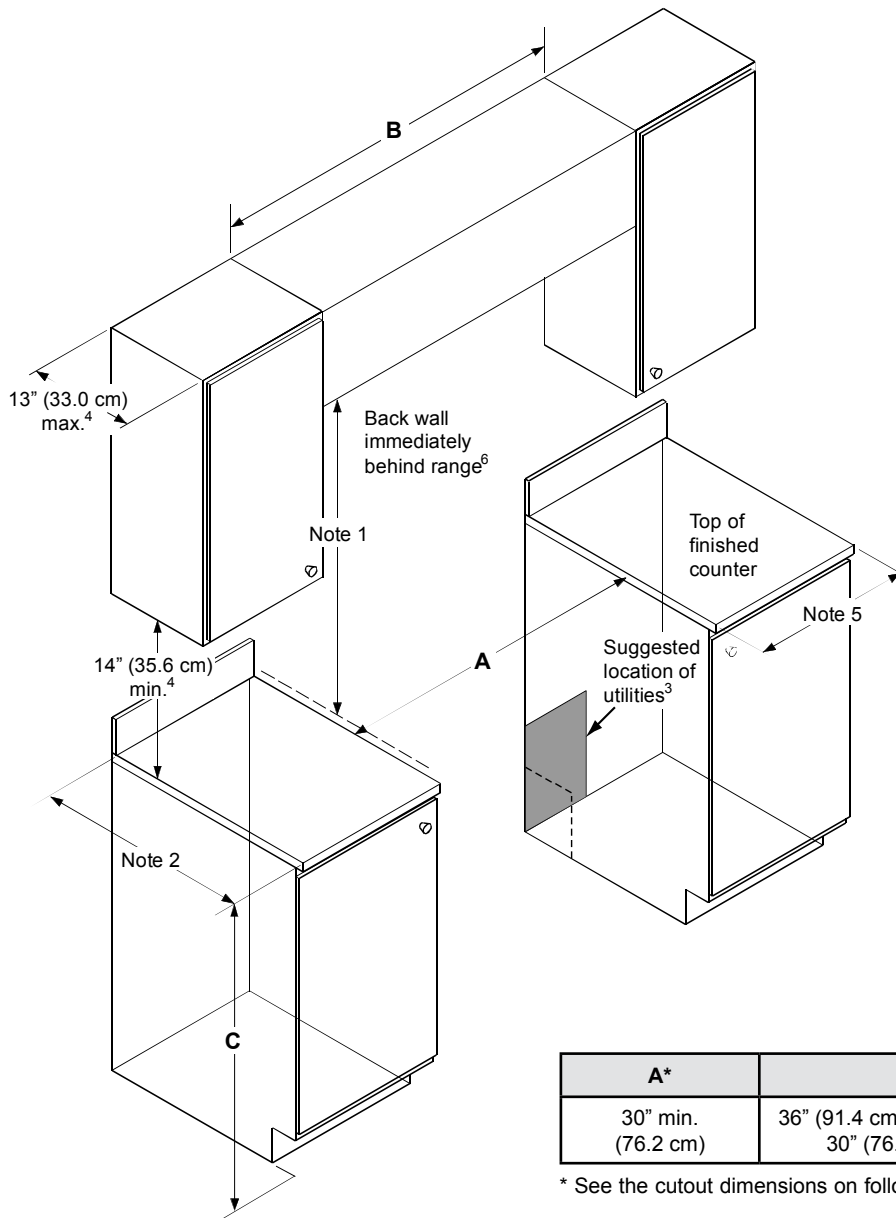
Revised 12/12/12 Page 2/5



Distinctive 30" Wide All Gas Ranges

PLANNING GUIDE

All tolerances +1/16" (+1.6 mm), -0 unless otherwise noted.



- Failure to meet or exceed the maximum and minimum dimensions/clearances stated may result in a fire hazard.
- The range should be placed away from drafts that may be caused by doors, windows and heating and air conditioning outlets.
- To eliminate the risk of burns or fire by reaching over heated surface units, cabinet storage space located above surface units should be avoided. If cabinet storage space is to be provided directly above the range, the risk of personal injury may be reduced by installing a range hood.
- In all instances, installation of a range hood is highly recommended. The hood should project horizontally a minimum of five (5) inches beyond the face of the cabinets. See the range hood specifications for minimum clearances.
- If installing a raised vent, install only Dacor model ERV3015.
- The range may be installed flush to the rear wall. See diagram and notes for rear wall surface requirements. It is not necessary to install non-combustible materials behind the range below the countertop height.
- Any openings in the wall behind the appliance or in the floor underneath it must be sealed.

A*	B	C
30" min. (76.2 cm)	36" (91.4 cm) recommended 30" (76.2 cm) min.	37" (94.0 cm) max.

* See the cutout dimensions on following page for self-rimming installations.

FREESTANDING INSTALLATION CABINET CUTOUT DIMENSIONS - MODELS DR30GS, DR30GFS, DR30GIS AND DR30GIFS

¹ 30" (76.2 cm) min. vertical clearance from top of range grates to bottom of uncovered wood or metal cabinet. 24" (61 cm) min. clearance if bottom of wood or metal cabinets are protected by not less than 1/4" (0.6 cm) flame retardant millboard covered with no less than No. 28 MSG sheet steel 0.015" (0.04 cm) stainless steel, or 0.024" (0.06 cm) aluminum or 0.020" (0.05cm) copper. 30" (76.2 cm) min. clearance between top of range grates and bottom of unprotected wood or metal cabinet. If installing range hood, check the hood specifications for minimum required clearances.

² Cabinet/countertop depth is at discretion of customer but cabinet face SHALL NOT protrude further than rear of front panel. See Product Dimensions.

³ Consult local code and following pages for requirements.

⁴ This specification not applicable for cabinets more than a horizontal distance of 10" (25.4 cm) from edge of range.

⁵ 10" (25.4 cm) min. to combustible sidewalls above range (both sides).

⁶ Non-combustible surface required for models DR30GIS and DR30GIFS up to vertical distance specified in note 1 or range hood, whichever is lower. Non-combustible surface recommended, but not required, for models DR30GS and DR30GFS.

DR30GS, DR30GFS, DR30GIS, DR30GIFS

Document # PG05-007

Revised 12/12/12 Page 3/5



Distinctive 30" Wide All Gas Ranges

PLANNING GUIDE

SELF-RIMMING INSTALLATION CUTOUT OPTIONS (MODELS DR30GIS AND DR30GIFS ONLY)

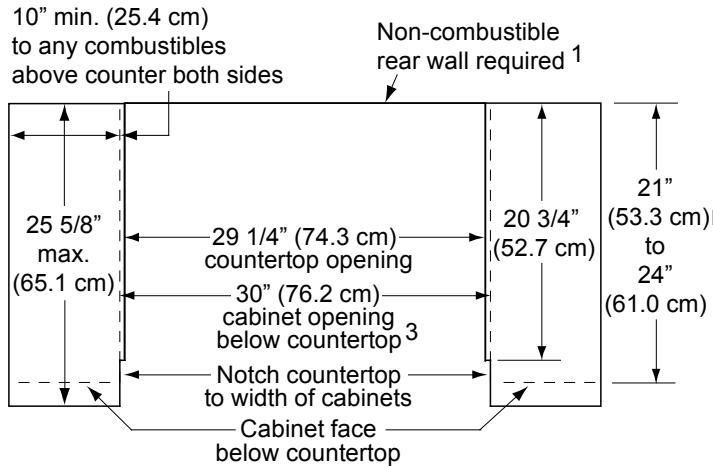
All tolerances +1/16" (+1.6 mm), -0 unless otherwise noted.

For all self-rimming installations:

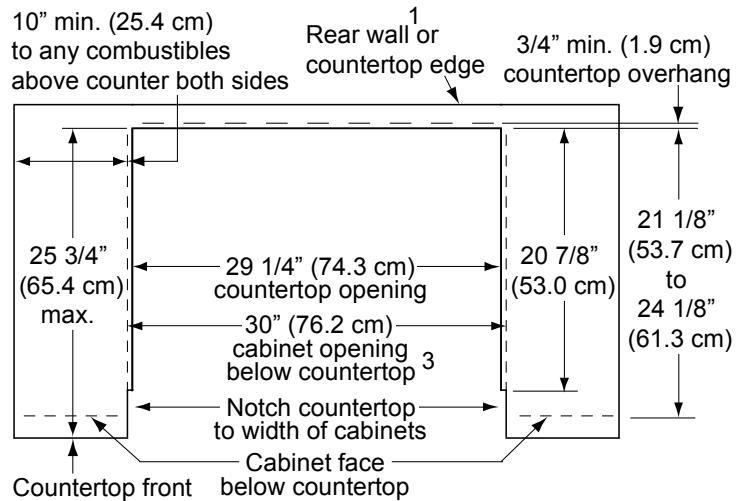
Countertop height: 34 3/4" (88.3 cm) min.

36 7/8" (93.7 cm) max.

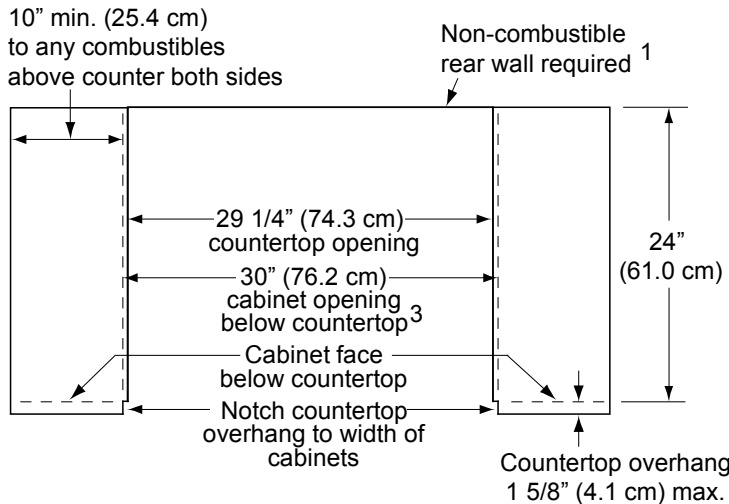
Countertop thickness: 1 5/8" (4.1 cm) max.



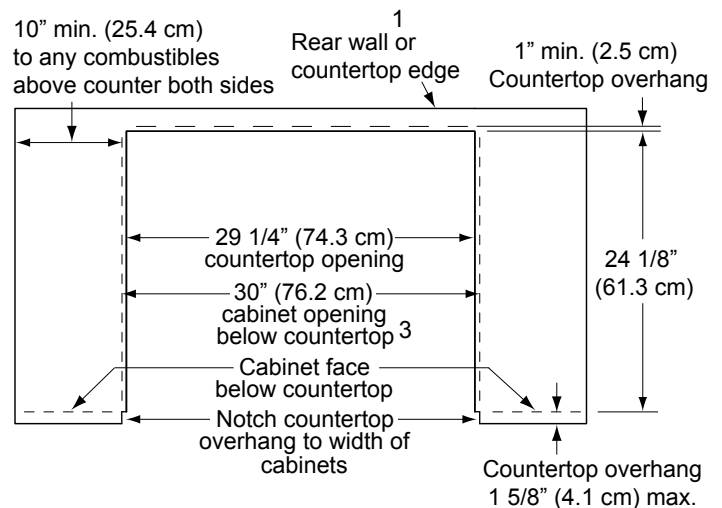
CABINETS LESS THAN 24" DEEP, 3 1/4" SIDE PANELS INSTALLED, RANGE BACK FLUSH TO WALL (TOP VIEW)



CABINET DEPTH GREATER THAN 24" ² 3 1/4" SIDE PANELS INSTALLED, RANGE BACK OVERHANGING COUNTERTOP (TOP VIEW)



CABINET EXACTLY 24" DEEP, 3 1/4" SIDE PANELS REMOVED, RANGE BACK FLUSH TO WALL (TOP VIEW)



CABINET DEPTH GREATER THAN 25 1/8" ² 3 1/4" SIDE PANELS REMOVED, RANGE BACK OVERHANGING COUNTERTOP (TOP VIEW)

¹ On models DR30GIS and DR30GIFS, non-combustible surface required immediately behind range, as specified on previous page, when back of backguard is less than 2 1/2" (6.4 cm) from rear wall.

² Models DR30GIS and DR30GIFS include self-rimming trim piece that attaches to back of range and covers the edge of the countertop overhang in back.

³ To create a "built-in look" on the front of the cabinet, this dimension may be changed to 29 1/4" (74.3 cm). This configuration is only for models DR30GIS and DR30GIFS with side panels behind door removed.

DR30GS, DR30GFS, DR30GIS, DR30GIFS

Document # PG05-007

Revised 12/12/12 Page 4/5



Distinctive 30" Wide All Gas Ranges

PLANNING GUIDE

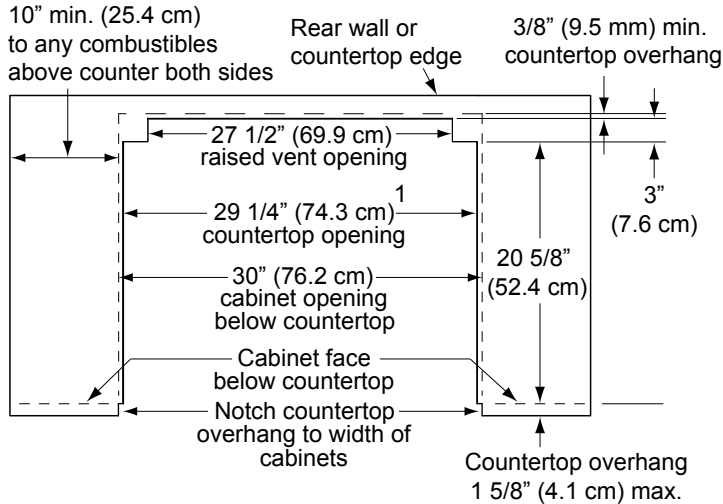
RAISED VENT (SELF-RIMMING) INSTALLATION CUTOUT OPTIONS (MODELS DR30GIS AND DR30GIFS ONLY)

All tolerances +1/16" (+1.6 mm), -0 unless otherwise noted.

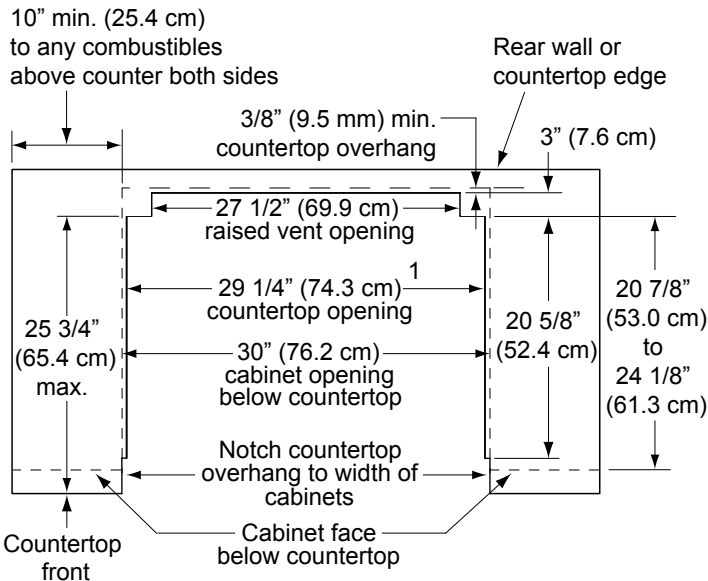
For all installations with a raised vent:

Countertop height: 34 3/4" (88.3 cm) min.
36 7/8" (93.7 cm) max.
Countertop thickness: 1 5/8" (4.1 cm) max.

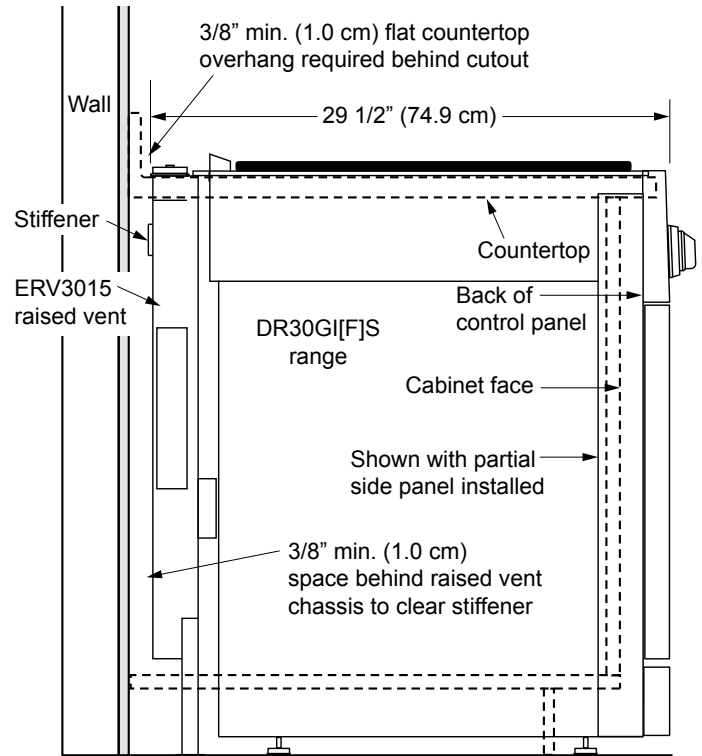
NOTE: For all raised vent installations, use only Dacor raised vent model ERV3015.



**24" - 24 1/4" CABINET DEPTH
PARTIAL SIDE PANELS INSTALLED (TOP VIEW)^{2, 3}**

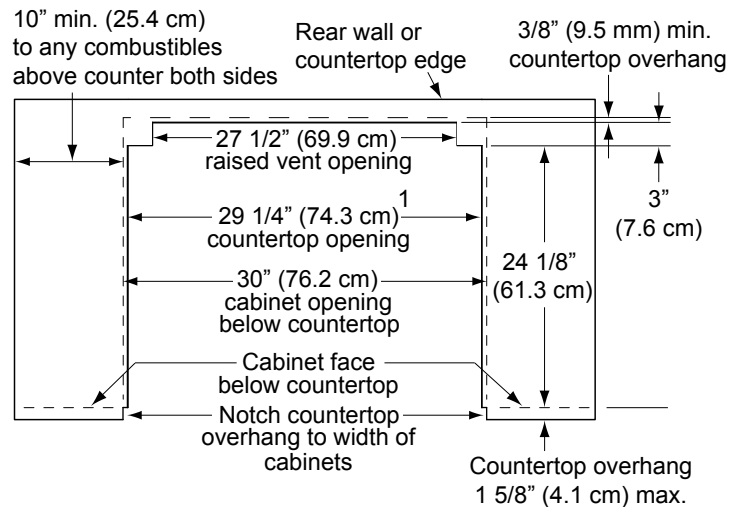


**24 1/4" - 27 1/2" CABINET DEPTH
PARTIAL SIDE PANELS INSTALLED (TOP VIEW)⁴**



IMPORTANT: If optional side panels are not installed cabinet face must be flush with back of control panel.

SIDE VIEW - DR30GI[F]S RANGE AND ERV3015 RAISED VENT



**CUSTOM CABINET 27 1/2" OR DEEPER,
PARTIAL SIDE PANELS REMOVED (TOP VIEW)⁴**

¹ To create a "built-in look" on the front of the cabinet, this dimension may be changed to 29 1/4" (74.3 cm). Width notches remains 30".

² For 24 to 24 1/4 inch deep cabinets, the side panels and control panel will protrude from the cabinet face a total of 5 5/8 inches.

³ Revision A ranges only: Raised vent trim piece and 3 1/2 inch side panels (Dacor PN ADTK30GSR24) must be installed to cover the front of the raised vent chassis in back and range chassis on sides.

⁴ Revision A ranges only: Optional raised vent trim piece (Dacor PN ADTK30GSR) must be installed to cover the front of the raised vent chassis in back.

DR30GS, DR30GFS, DR30GIS, DR30GIFS

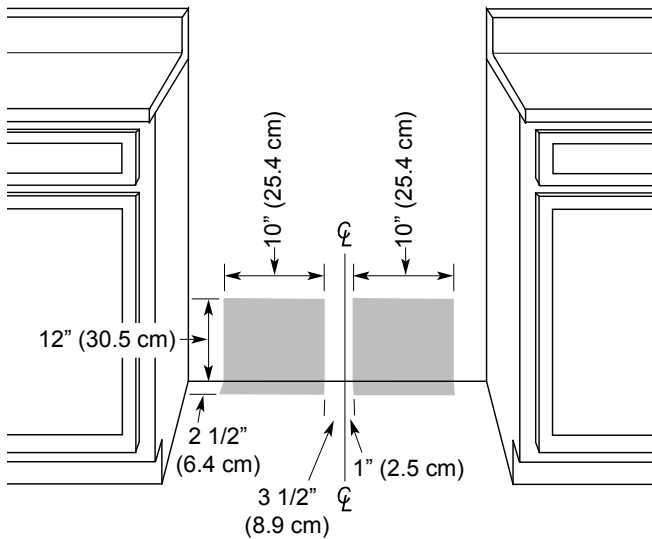
Document # PG05-007

Revised 12/12/12 Page 5/5

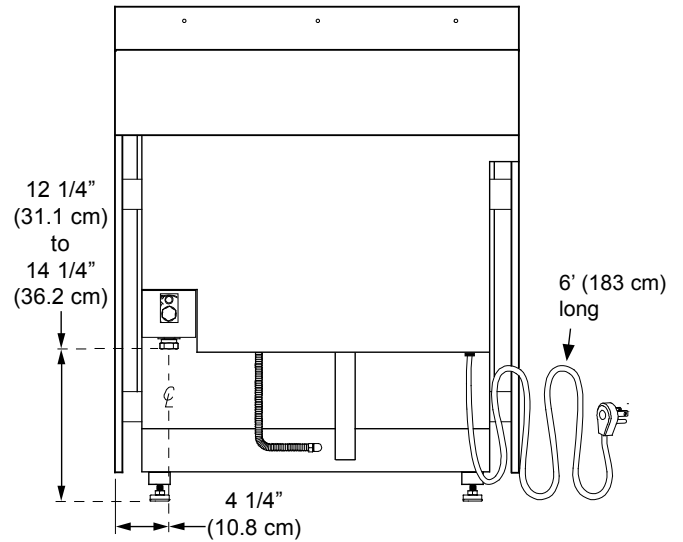


Distinctive 30" Wide All Gas Ranges

PLANNING GUIDE



UTILITY CLEARANCE BEHIND RANGE



BACK OF RANGE

ELECTRICAL REQUIREMENTS	
Electrical Circuit Required	Total Connected Load
120 Vac, 60 Hz, 15 Amps., dedicated, grounded	4.0 Amps. @ 120 Vac, 60 Hz

GAS SUPPLY PRESSURE REQUIREMENTS			
Gas Type	Manifold Pressure* (WC)	Min. Gas Supply Pressure (WC)	Max. Input Pressure
Natural	5"	6"	1/2 psi
LP	10"	11"	1/2 psi

IMPORTANT: The information above is for reference only. If the above data does not agree with the product data label, use the data on the product data label.

The gas inlet on the regulator accommodates a 1/2" NPT gas line connection. The range can also accommodate a 3/4" NPT gas line connection by removing the 1/2" to 3/4" adapter on the regulator inlet.