

COMBINATION INSTALLATIONS



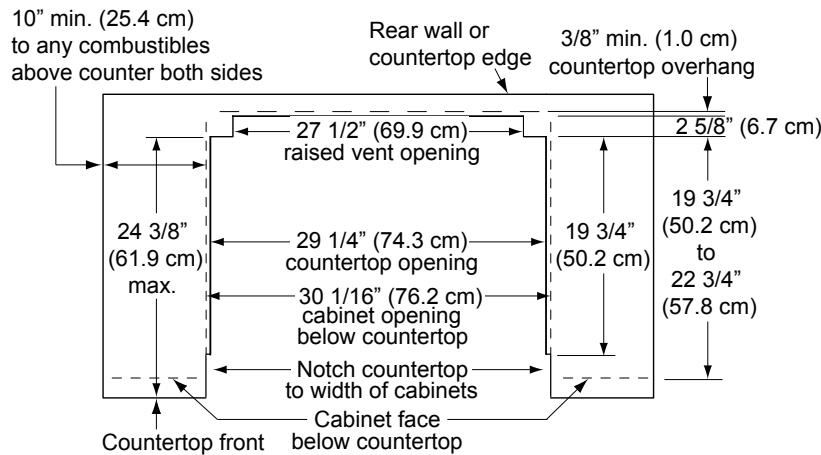
DR30EI[F]S Range with ERV3015 Raised Vent

PLANNING GUIDE

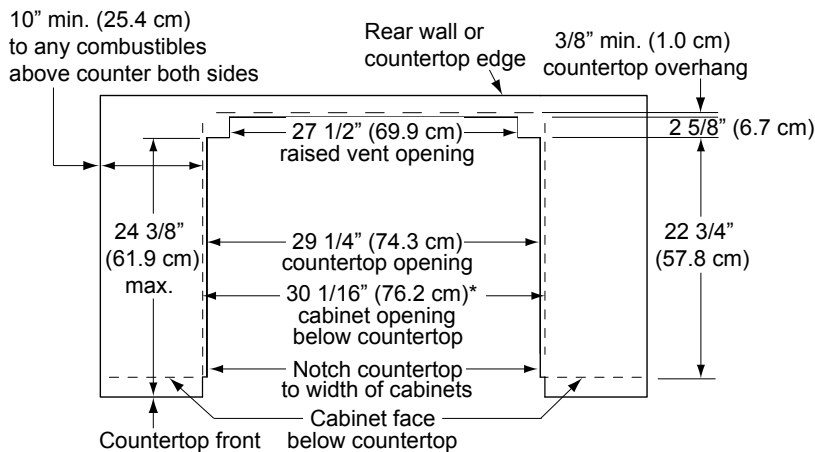
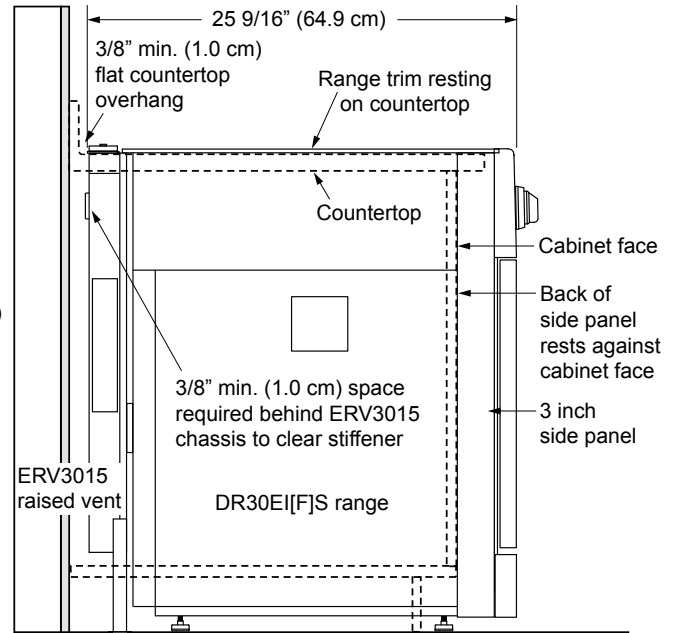
All tolerances +1/16" (+1.6 mm), -0 unless otherwise noted.

- Only models DR30EIS and DR30EIFS may be installed with a raised vent. Use only Dacor raised vent model ERV3015.
- A self-rimming countertop configuration is required for raised vent installation. On installations with a raised vent, when sliding the range into position, it will stop when the rear of the control panel or side panels contact the notches toward the front of the countertop.
- The self-rimming installation of the DR30DI range and ERV3015 raised vent create a "built-in" look where the range trim overlaps the countertop on both sides and the raised vent overlaps the countertop in back.

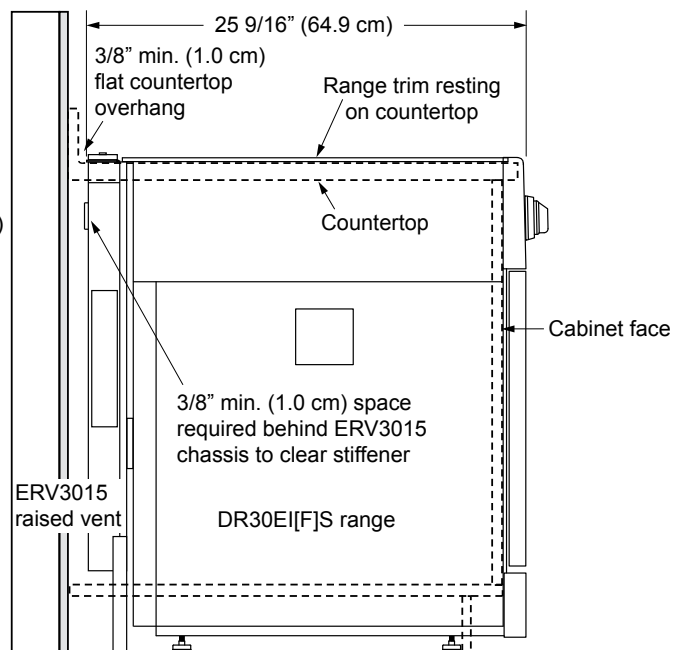
Countertop height: 34 3/4" (88.3 cm) min.
36 7/8" (93.7 cm) max.
Countertop thickness: 1 5/8" (4.1 cm) max.



TOP VIEW - DOWNDRAFT ERV30[15] WITH SLIDE-IN, SELF-RIMMING INSTALLATION USING 3" SIDE PANELS INSTALLED



TOP VIEW - DOWNDRAFT ERV30[15] WITH SLIDE-IN, SELF-RIMMING INSTALLATION USING 3" SIDE PANELS REMOVED



* To create a "built-in look" on the front of the cabinet, this dimension may be changed to 29 1/4" (74.3 cm), with the width at the notches remaining 30 1/16". This configuration is only for models DR30EIS and DR30EIFS with side panels behind door removed.