

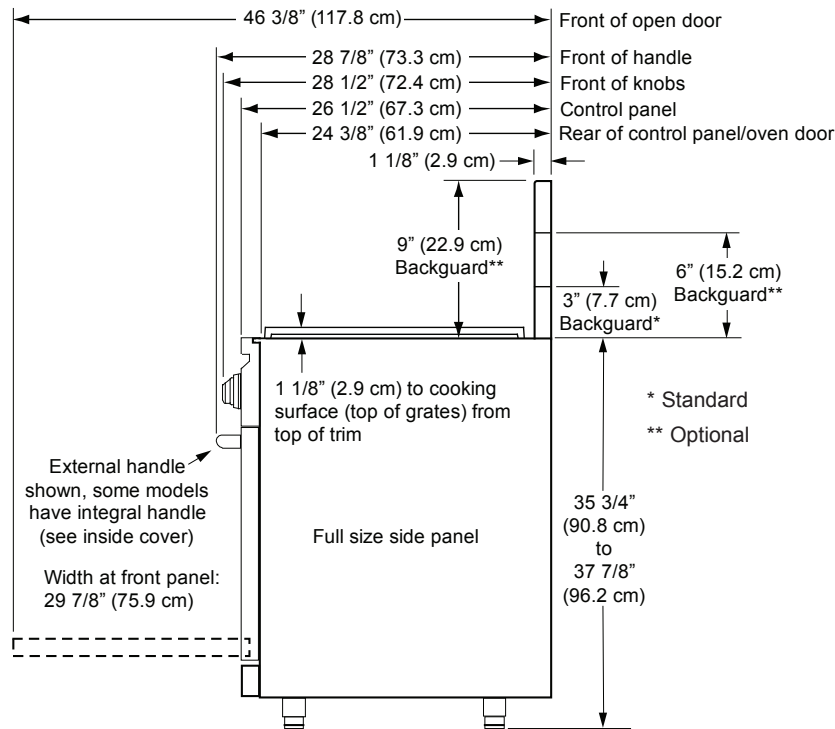
DR30D, DR30DH, DR30DI, DR30DIH



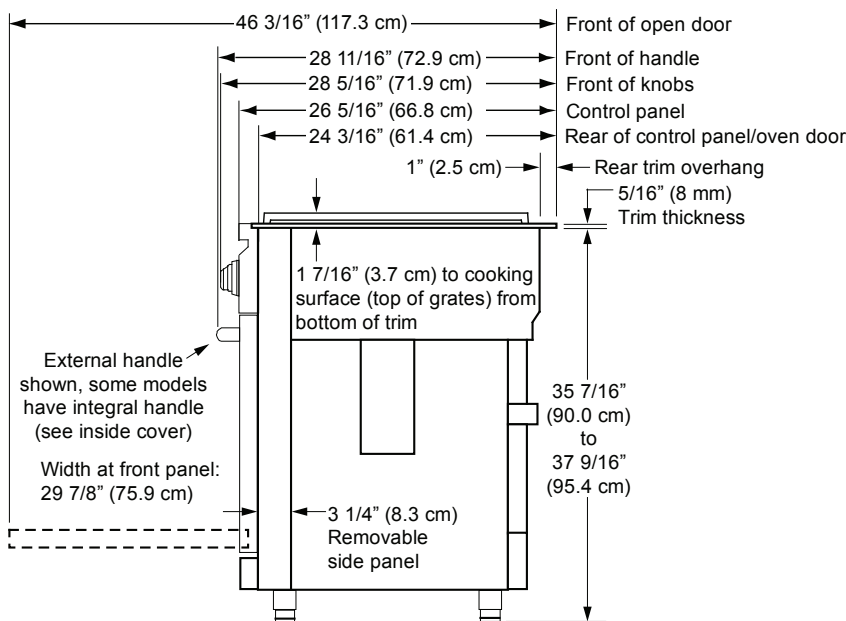
Distinctive™ 30" Wide Dual Fuel Range

PLANNING GUIDE

Product tolerances: ±1/16" (±1.6 mm) unless otherwise stated.



PRODUCT DIMENSIONS - MODEL DR30D[H] (FREESTANDING MODEL)



PRODUCT DIMENSIONS - MODEL DR30DI[H] (SELF-RIMMING MODEL)

WARNING

- Observe all governing codes and ordinances during planning and installation. Contact your local building department for further information.
- This appliance must be installed in accordance with the accompanying installation instructions.

Optional Backguard and Island Trim Part Numbers

Description	Part Number
Island trim kit (no backguard)	ADTK30D
6 inch trim kit	ADB3006
9 inch trim kit	ADB3009

NOTE: Model DR30D[H] is NOT designed for self-rimming installation or installation with a raised vent.

NOTES:

- When installing model DR30DI[H] with a raised vent, install **only** Dacor model ERV3015.
- The backguards shown above for model DR30D[H] are **NOT** compatible with model DR30DI[H].
- This model can be installed in a freestanding configuration between cabinets, provided the countertop is as high at the trim around the cooktop.

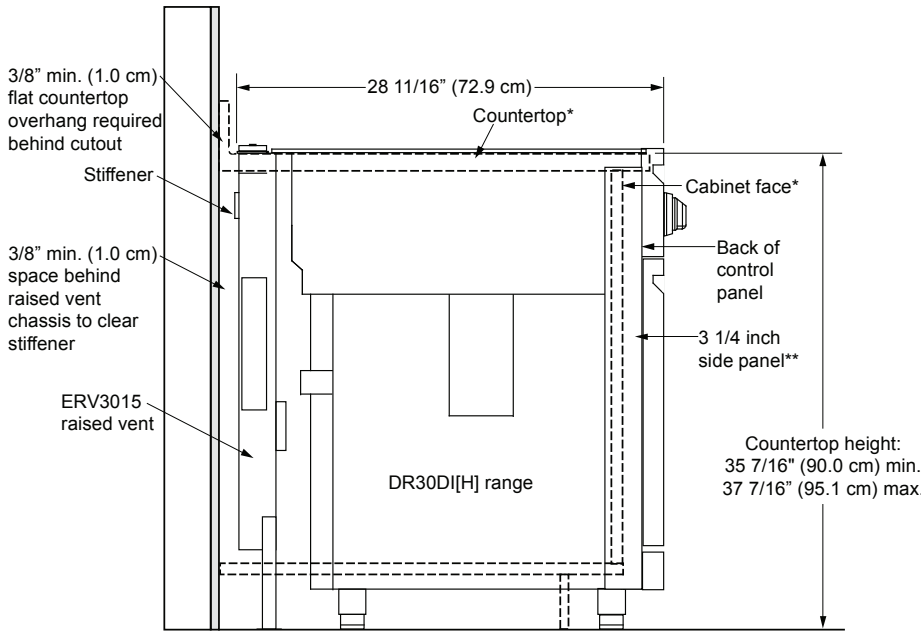


DR30D, DR30DH, DR30DI, DR30DIH



Distinctive 30" Wide Dual Fuel Range

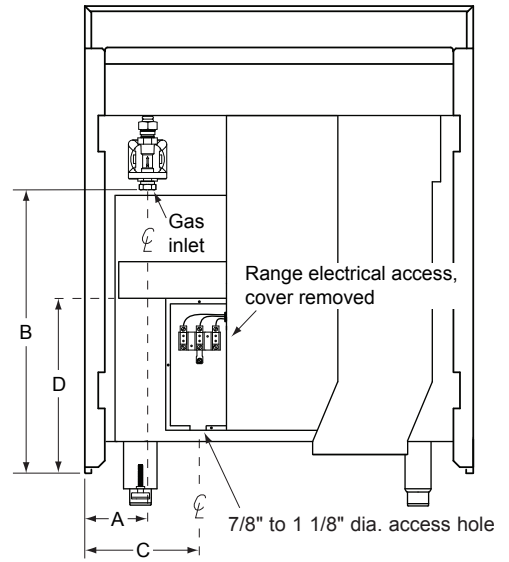
PLANNING GUIDE



*** IMPORTANT:** See Countertop/Cabinet Cutout Dimensions for required countertop cutout dimensions. There are three possible configurations.

**** IMPORTANT:** If 3 1/4 inch side panels are removed, cabinet face must be flush with back of control panel.

OVERALL DIMENSIONS - MODEL DR30DI[H] WITH ERV3015 RAISED VENT



A	B	C	D
4 3/4" (12.1 cm)	22 1/8" (56.2 cm)	8 3/4" (22.2 cm)	13 3/4" (34.9 cm)

GAS AND ELECTRICAL DIMENSIONS

Gas and Electrical Requirements

Gas Supply Pressure Requirements*		
Gas Type	Manifold Pressure	Minimum Gas Supply Pressure
Natural gas	5" water column	6" water column
LP	10" water column	11" water column

* Maximum input gas supply pressure for all models is 1/2 psi

The regulator inlet accommodates a 3/4" gas line. The range ships with a 1/2" to 3/4" adapter connected to the regulator.

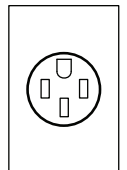
Electrical Specifications	
Circuit Required	Total Connected Load
240 Vac, 60 Hz., 30 Amp.*	5.7 kW (23.8 Amp.)

* Two 120 Vac hot (L1 and L2), one neutral, one ground

- The ratings above are for reference only - refer to the range's product data label for exact specifications.
- The correct voltage, frequency and amperage must be supplied to the appliance from a separate, grounded, circuit that is protected by a properly sized circuit breaker or time delay fuse. If a time-delay fuse is utilized, fuse both sides of the line (L1 and L2).

Ranges equipped for installation in Canada:

- Freestanding ranges used in Canada require a factory installed 4-wire appliance cord and NEMA 14-50P plug. Order model number DR30D-C or DR30DH-C. The appliance cord is 66 inch (168 cm) long.
- Do not modify the factory wiring. The plug is designed to plug directly into a NEMA 14-50R electrical receptacle installed by a licensed electrician.



NEMA 14-50R RECEPTACLE

All other models:

The wiring needs to be long enough to allow the range to be pulled out for service, while remaining connected (see following page).

The wiring connected to the range must:

- Meet NEMA standards and have a minimum rating of 250 Volts @ 30 Amp.
- Include a strain relief.
- Be terminated by tinned leads, closed loop terminals or open ended spade lugs with upturned ends.
- Connect to a junction box or receptacle installed by a licensed electrician.

Where local code permits, a 3 or 4 wire appliance cord may be used. It must:

- Be UL listed type SRD or SRDT.
- Be equipped with a NEMA 14-50P 4-wire plug or, where local code permits, a NEMA 10-50P 3-wire plug.

DR30D, DR30DH, DR30DI, DR30DIH



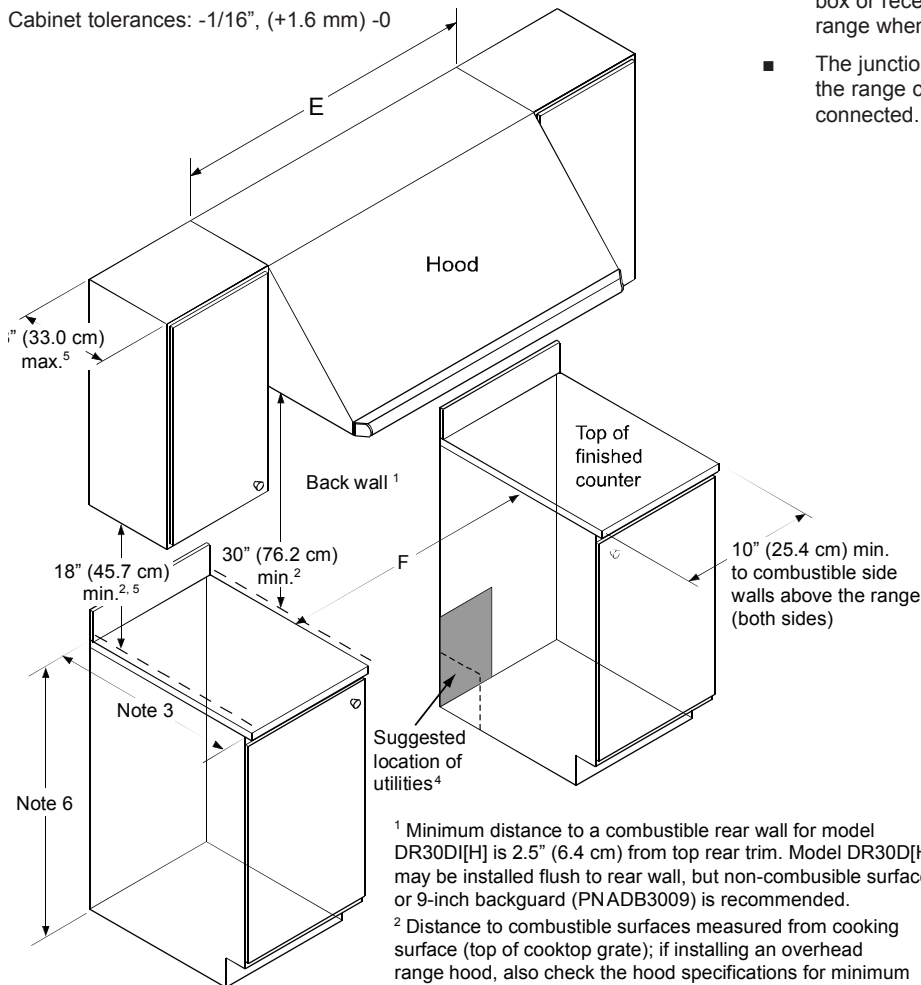
Distinctive 30" Wide Dual Fuel Range

PLANNING GUIDE

Cabinet Layout

- Carefully check the location where the range is to be installed. For best performance, the range should be placed away from drafts that may be caused by doors, windows and heating and air conditioning outlets.
- To reduce the risk of personal injury and to reduce accumulated smoke in the room, Dacor strongly recommends installing a range hood or raised vent (model DR30DI[H] only). A range hood should project horizontally a minimum of five (5) inches beyond the face of the cabinets.
- All maximum and minimum dimensions and clearances shown in the diagram below must be maintained for safe operation.
- Any openings in the wall behind the appliance or in the floor underneath it must be sealed.
- Carefully note the requirements stated below for clearances to walls and cabinets.

Cabinet tolerances: -1/16", (+1.6 mm) -0



REQUIRED CABINET DIMENSIONS

¹ Minimum distance to a combustible rear wall for model DR30DI[H] is 2.5" (6.4 cm) from top rear trim. Model DR30D[H] may be installed flush to rear wall, but non-combustible surface or 9-inch backguard (PNADB3009) is recommended.

² Distance to combustible surfaces measured from cooking surface (top of cooktop grate); if installing an overhead range hood, also check the hood specifications for minimum required clearances.

³ Cabinet/countertop depth is at discretion of customer but cabinet face MUST NOT protrude further than rear of cabinet front, see Product Dimensions.

⁴ Consult local code for exact location requirements.

⁵ This specification does not apply for cabinets located greater than a horizontal distance of 10" (25.4 cm) from the edge of the range.

⁶ Model DR30D[H]: 37 7/8 (96.2 cm) max.
Model DR30DI[H]: 37 7/16 (95.1 cm) max.

Gas and Electrical Service

- The shaded area shown below denotes the location of the gas inlet and the electrical junction box/receptacle. This is the recommended location. For replacement purposes, the location of the existing utilities may be utilized provided they do not interfere with the sides or rear of the range. Check local building codes for permissible gas valve locations.
- An external manual shut-off valve must be installed between the gas inlet and the range for the purpose of turning on or shutting off gas to the appliance.

The installation must allow for the following:

- Access to the gas shut-off valve when the unit is installed.
- Access to the remote circuit breaker panel/fuse box when the range is in place.
- The gas supply piping, gas shut-off valve and the electrical junction box or receptacle must be located so they do not interfere with the range when it is installed.
- The junction box and gas shut off valve must be located so that the range can be pulled out for service while the appliance remains connected.

Cutout Dimensions	
E	F***
36" (91.4 cm)* 30" (76.2 cm)**	30 1/16" (91.6 cm)
* Recommended ** Minimum *** See following page for model DR30DI[H]	

DR30D, DR30DH, DR30DI, DR30DIH



Distinctive 30" Wide Dual Fuel Range

PLANNING GUIDE

Self-Rimming Installation Without Raised Vent

- See following pages for raised vent installations.
- Only model DR30DI[H] may be installed in a self-rimming configuration. Self-rimming installations create a "built-in" look where the trim of the range overlaps the surrounding countertop. It is also possible, if the cabinets are the right depth, to self rim the front of the range into the cabinet face, immediately behind the control panel and door trim. When the front of the range is self-rimmed, the 3 1/4" side panels are removed.
- When sliding the range into position, it will stop when the rear of the side panels or front panel contacts the notches toward the front of the countertop. The rear of the range trim will overhang the countertop in back.

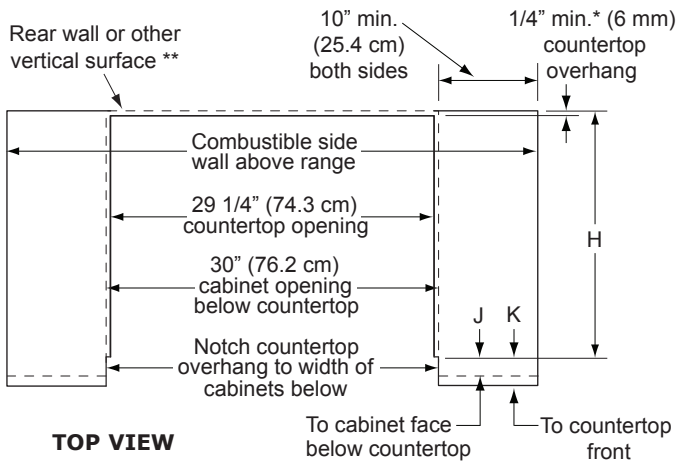
Model DR30DI[H] Range with	H	J	K
Countertop Self-Rimmed Only	21" (53.3 cm)	0" (0 cm) to 3 1/4" (8.3 cm)	0" (0 cm) to 5 3/8" (13.7 cm)
Countertop and Cabinet Front Self-Rimmed ¹	24 1/4" (61.6 cm)	NA	0" (0 cm) to 2 1/8" (5.4 cm)

¹ Side panels removed

Countertop height for all self-rimming installations:
35 7/16" (90.0 cm) minimum, 37 7/16" (95.1 cm) maximum

Cabinet tolerances: -1/16", (+1.6 mm) -0

MODEL DR30DI[H] COUNTERTOP SELF-RIMMED ONLY, 3 1/4 INCH SIDE PANELS NOT REMOVED

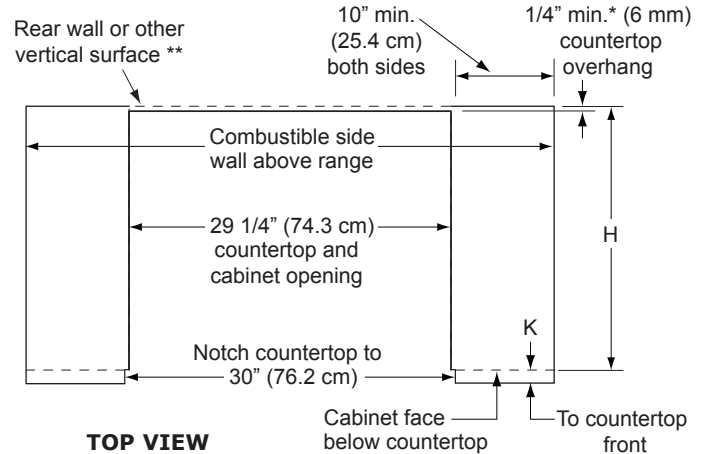


TOP VIEW

* When increasing overhang, increase dimension H by same amount.

** Any vertical surfaces behind the range must be non-combustible unless countertop overhang exceeds 2 3/4" (7.0 cm).

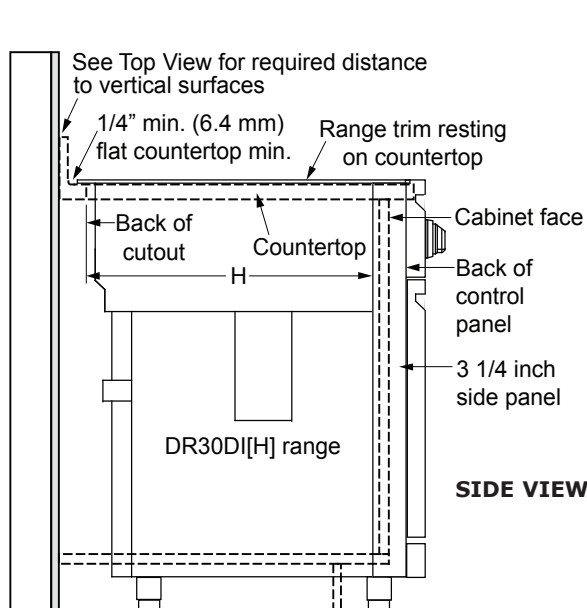
MODEL DR30DI[H] COUNTERTOP AND CABINET FRONT SELF-RIMMED, 3 1/4 INCH SIDE PANELS REMOVED



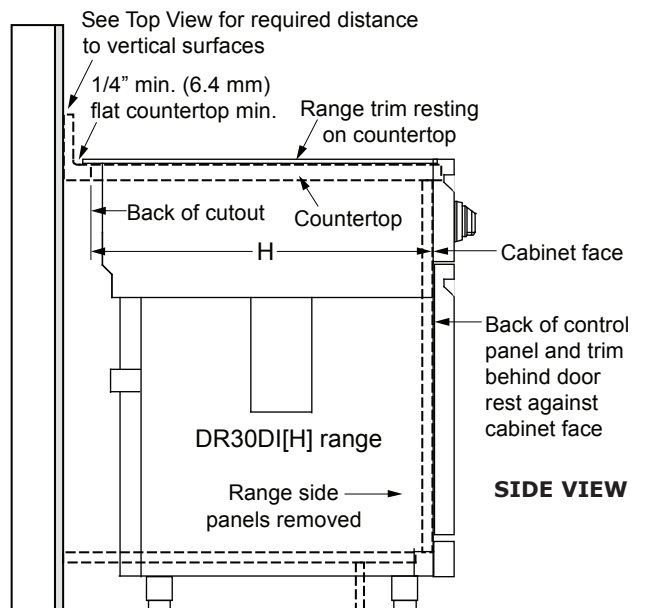
TOP VIEW

* When increasing overhang, increase dimension H by same amount.

** Any vertical surfaces behind the range must be non-combustible unless countertop overhang exceeds 2 3/4" (7.0 cm).



SIDE VIEW



SIDE VIEW

DR30D, DR30DH, DR30DI, DR30DIH



Distinctive 30" Wide Dual Fuel Range

PLANNING GUIDE

Self-Rimming Installation With Raised Vent (Options 1 and 2)

- Only model DR30DI[H] may be installed with a raised vent. Use only Dacor raised vent model ERV3015.
- A self-rimming countertop configuration is required for raised vent installation. On installations with a raised vent, when sliding the range into position, it will stop when the rear of the control panel or side panels contact the notches toward the front of the countertop.
- The self-rimming installation of the DR30DI[H] range and ERV3015 raised vent create a "built-in" look where the range trim overlaps the countertop on both sides and the raised vent overlaps the countertop in back. It is also possible, if the cabinets are deep enough, to self rim the front of the range into the cabinet face immediately behind the control panel and door trim or behind the side panels (see side views on bottom right and following page). The rear range trim will partially cover the front of the raised vent chassis in back.

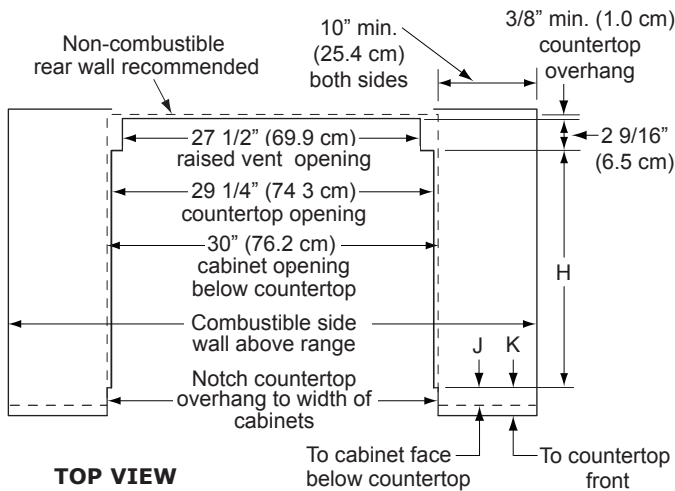
Model DR30DI[H] Range and ERV3015 Raised Vent With	H	J	K
Countertop self-rimmed only	20 5/8" (52.4 cm)	0" (0 cm) to 3 1/4" (8.3 cm)	0" (0 cm) to 5 3/8" (13.7 cm)
Countertop and Cabinet Front Self-Rimmed,	20 5/8" * (52.4 cm)	NA	0" (0 cm) to 5 3/8" (13.7 cm)

* Cabinet face below countertop must be flush with back of notch in countertop

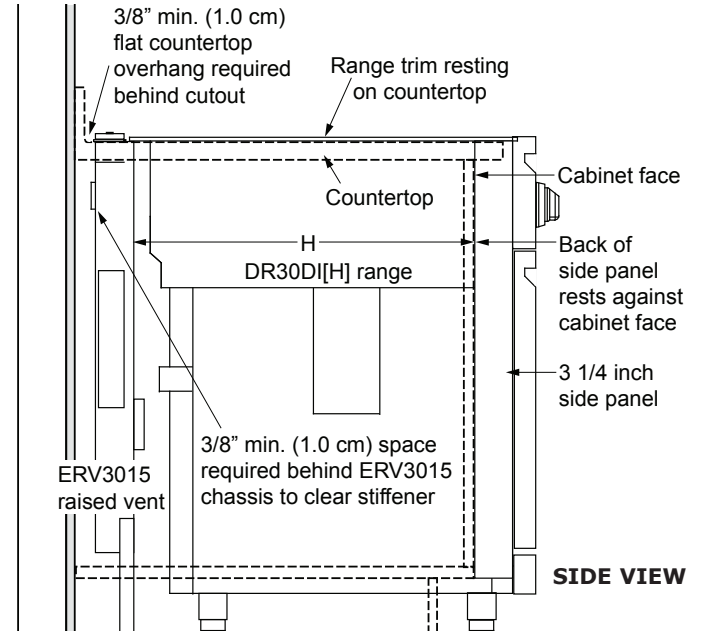
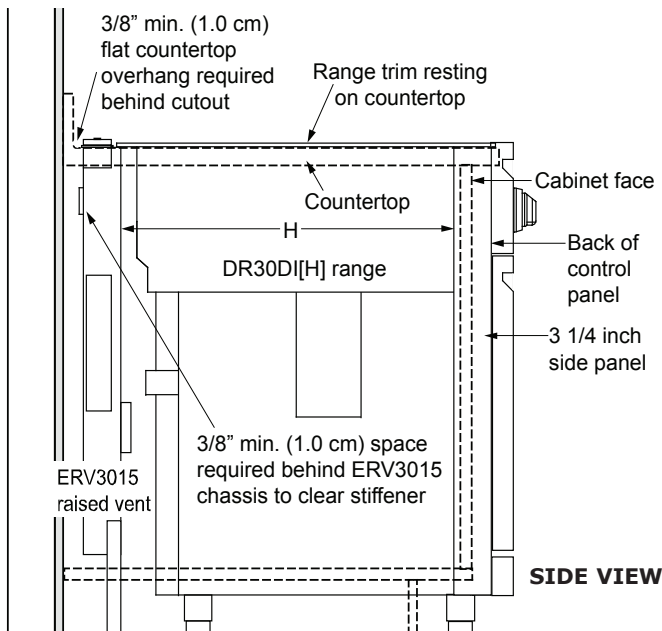
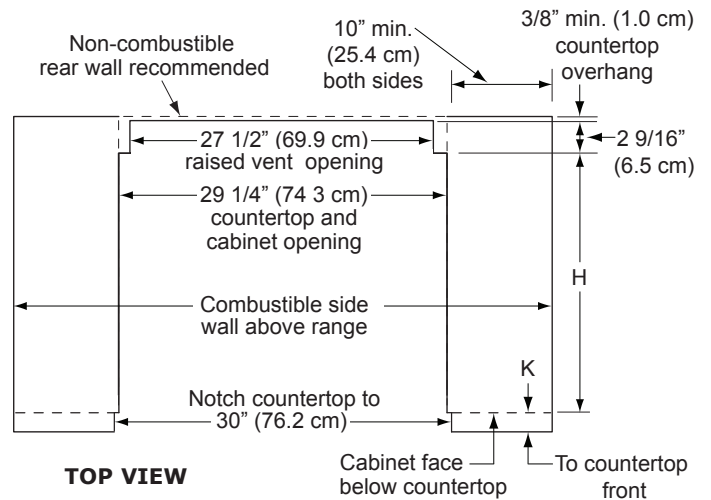
Countertop height for all self-rimming installations: 35 7/16" (90.0 cm) minimum, 37 7/16" (95.1 cm) maximum

Cabinet tolerances: -1/16", (+1.6 mm) -0

MODEL DR30DI[H]/ERV3015 COUNTERTOP SELF-RIMMED ONLY, 3 1/4 INCH SIDE PANELS NOT REMOVED



MODEL DR30DI[H]/ERV3015 COUNTERTOP AND CABINET FRONT SELF-RIMMED, 3 1/4 INCH SIDE PANELS NOT REMOVED



DR30D, DR30DH, DR30DI, DR30DIH



Distinctive 30" Wide Dual Fuel Range

PLANNING GUIDE

Self-Rimming Installation With Raised Vent (Option 3)

- Only model DR30DI[H] may be installed with a raised vent. Use only Dacor raised vent model ERV3015.
- A self-rimming countertop configuration is required for raised vent installation. On installations with a raised vent, when sliding the range into position, it will stop when the rear of the control panel or side panels contact the notches toward the front of the countertop.
- The self-rimming installation of the DR30DI[H] range and ERV3015 raised vent create a "built-in" look where the range trim overlaps the countertop on both sides and the raised vent overlaps the countertop in back. It is also possible, if the cabinets are deep enough, to self rim the front of the range into the cabinet face immediately behind the control panel and door trim or behind the side panels (see side views on bottom right and previous page). The rear range trim will partially cover the front of the raised vent chassis in back.

Cabinet tolerances: $-1/16"$, (+1.6 mm) -0

MODEL DR30DI[H]/ERV3015 COUNTERTOP AND CABINET FRONT SELF-RIMMED, 3 1/4 INCH SIDE PANELS REMOVED

Model DR30DI[H] Range and ERV3015 Raised Vent With	H	J	K
Countertop and Cabinet Front Self-Rimmed (side panels removed)	23 7/8" * (60.6 cm)	NA	0" (0 cm) to 2 1/8" (5.4 cm)

* Cabinet face below countertop must be flush with back of notch in countertop

Countertop height for all self-rimming installations: 35 7/16" (90.0 cm) minimum, 37 7/16" (95.1 cm) maximum

