



LASTS AND LASTS AND LASTS.®

# SINGLE STAGE HEAT/COOL OR HEAT PUMP THERMOSTAT

# 2246002

Non-Programmable

## AMANA BRAND QUALITY

Americans have been relying on long-lasting Amana brand products since 1934, when Amana, Iowa, native George Foerstner accepted the challenge of building a dependable beverage cooler. Since then, the Amana brand has enjoyed many firsts, including developing the first cold storage locker, being the first manufacturer to nationally market an upright freezer for home use, and introducing the first portable countertop microwave oven.



### Quality Features:

- 1-Stage Heat/1-Stage Cool
- 1-Stage Heat Pump
- Patented Thermal Intrusion Barrier
- Simple Operation
- Large LCD Display
- Accuracy:  $\pm 1^{\circ}\text{F}$

### FEATURING:

- Premium Amana® brand Quality



Hardwired



R C W Y O B G

- Manual Changeover
- Adjustable Temperature Differential
- 4- or 5-Wire Compatible
- Hardwired
- Soft Touch Controls
- 5-Minute Compressor Delay

# 2246002

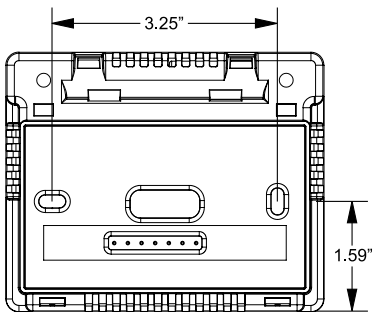
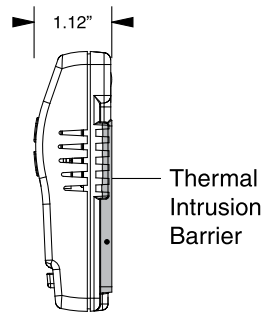
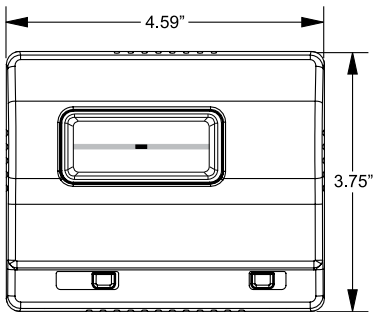
## NON-PROGRAMMABLE THERMOSTAT 1-STAGE HEAT/ 1-STAGE COOL OR HEAT PUMP Hardwired



- 1-stage Heat/1-Stage Cool
- 1-Stage Heat Pump
- 4- or 5-Wire Compatible (C is optional for non-heat pump systems)
- Manual Changeover



### DIMENSIONS:



### Specifications

#### Electrical Rating:

- 24 VAC (18-30 VAC)
- 1 amp maximum per terminal
- 3 amp maximum total load
- 30-minute power backup
- Easy access terminal block

#### Temperature Control Ranges:

- 45°F to 90°F, Accuracy:  $\pm 1^\circ\text{F}$
- 7°C to 32°C, Accuracy:  $\pm 1^\circ\text{C}$

#### System Configurations:

- 1-stage heat, 1-stage cool or 1-stage heat pump, gas, oil, electric

#### Configuration Screens:

- Differential 1° to 3°

Terminations: R, C, W, Y, O, B, G



## Other Amana® brand thermostats available:

### 2246003



- 2-Stage Heat/1-Stage Cool Heat Pump
- Manual Changeover

### 2246007



- 2-Stage Heat/Cool or 2-Stage HP
- Large Display with Backlight
- Field Temperature Calibration

### 2246008



- 2-stage Heat/Cool or 2-Stage HP
- Large Display with Backlight
- Field Temperature Calibration

Patent No. Design: 424,953  
 Patent No. Thermal Intrusion Barrier: 6,597,275  
 Patented - SimpleSet™ Target Programming Technology: 7,575,179B2  
*Specifications subject to change without notice.*

[www.amana-PTAC.com](http://www.amana-PTAC.com)

Our continuing commitment to quality products may mean a change in specifications without notice. © 2012 Goodman Company, L.P.  
 Amana is a registered trademark of Maytag Corporation or its related companies and is used under license to Goodman Company, L.P., Houston, TX, USA. All rights reserved.