

# Installation Instructions

## for Stacked Dryers



<b>Inside.....</b>	
Dimensions.....	3
Before You Start.....	4
Installing the Dryer.....	5
Installer Checklist.....	Back Cover

Date Purchased \_\_\_\_\_  
Model Number \_\_\_\_\_  
Serial Number \_\_\_\_\_

Para bajar una copia de estas instrucciones en español, visite [www.speedqueen.com](http://www.speedqueen.com).

Keep these instructions for future reference.  
(If this machine changes ownership, this manual must accompany machine.)



# WARNING

**FOR YOUR SAFETY, the information in this manual must be followed to minimize the risk of fire or explosion or to prevent property damage, personal injury or death.**

W033

- **Do not store or use gasoline or other flammable vapors and liquids in the vicinity of this or any other appliance.**
- **WHAT TO DO IF YOU SMELL GAS:**
  - **Do not try to light any appliance.**
  - **Do not touch any electrical switch; do not use any phone in your building.**
  - **Clear the room, building or area of all occupants.**
  - **Immediately call your gas supplier from a neighbor's phone. Follow the gas supplier's instructions.**
  - **If you cannot reach your gas supplier, call the fire department.**
- **Installation and service must be performed by a qualified installer, service agency or the gas supplier.**

W052

- **Installation of unit must be performed by a qualified installer.**
- **Install clothes dryer according to manufacturer's instructions and local codes.**
- **DO NOT install a clothes dryer with flexible plastic venting materials. If flexible metal (foil type) duct is installed, it must be of a specific type identified by the appliance manufacturer as suitable for use with clothes dryers. Refer to section on connecting exhaust system. Flexible venting materials are known to collapse, be easily crushed, and trap lint. These conditions will obstruct clothes dryer airflow and increase the risk of fire.**

W729R1

## FOR YOUR SAFETY

**Do not store or use gasoline or other flammable vapors and liquids in the vicinity of this or any other appliance.**

W053

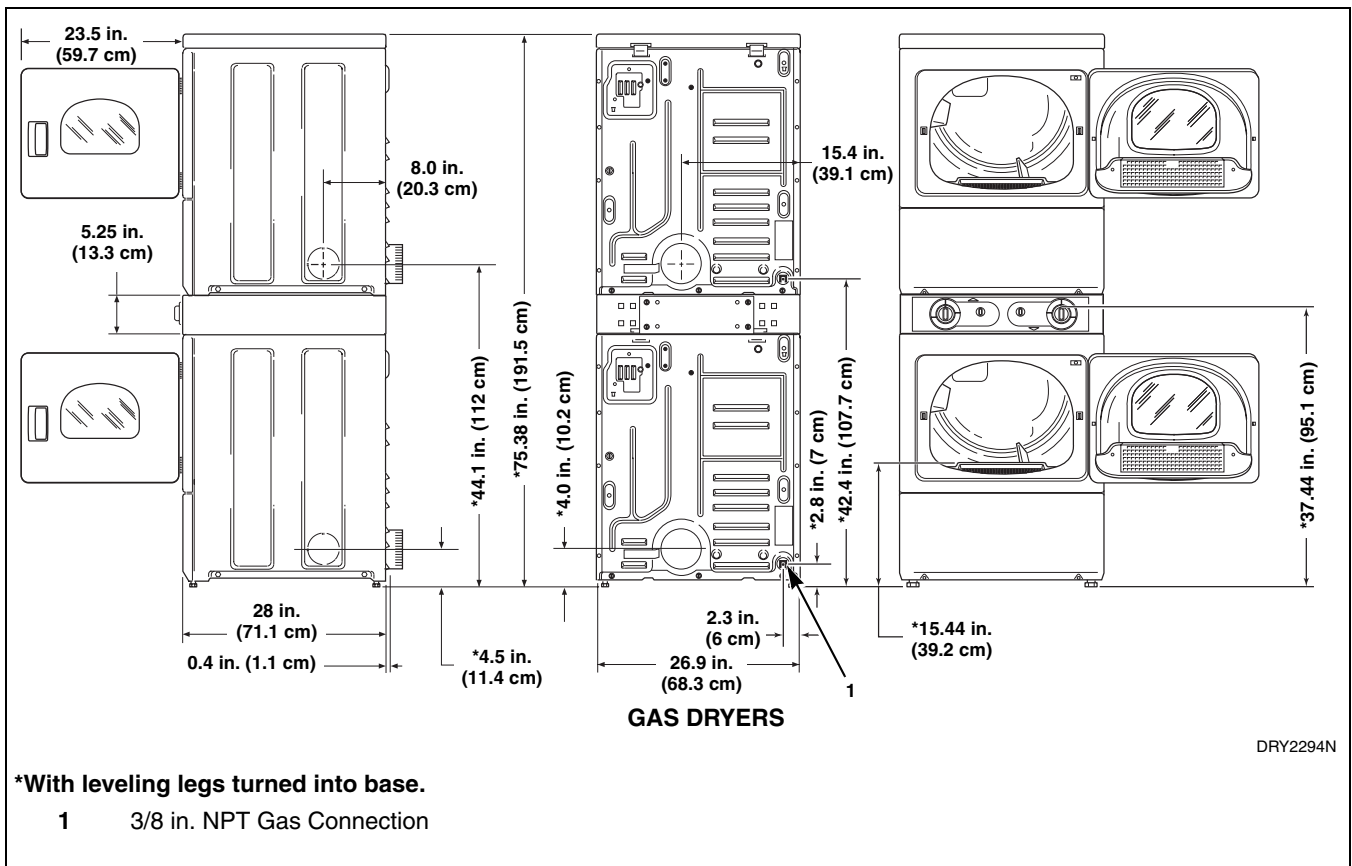
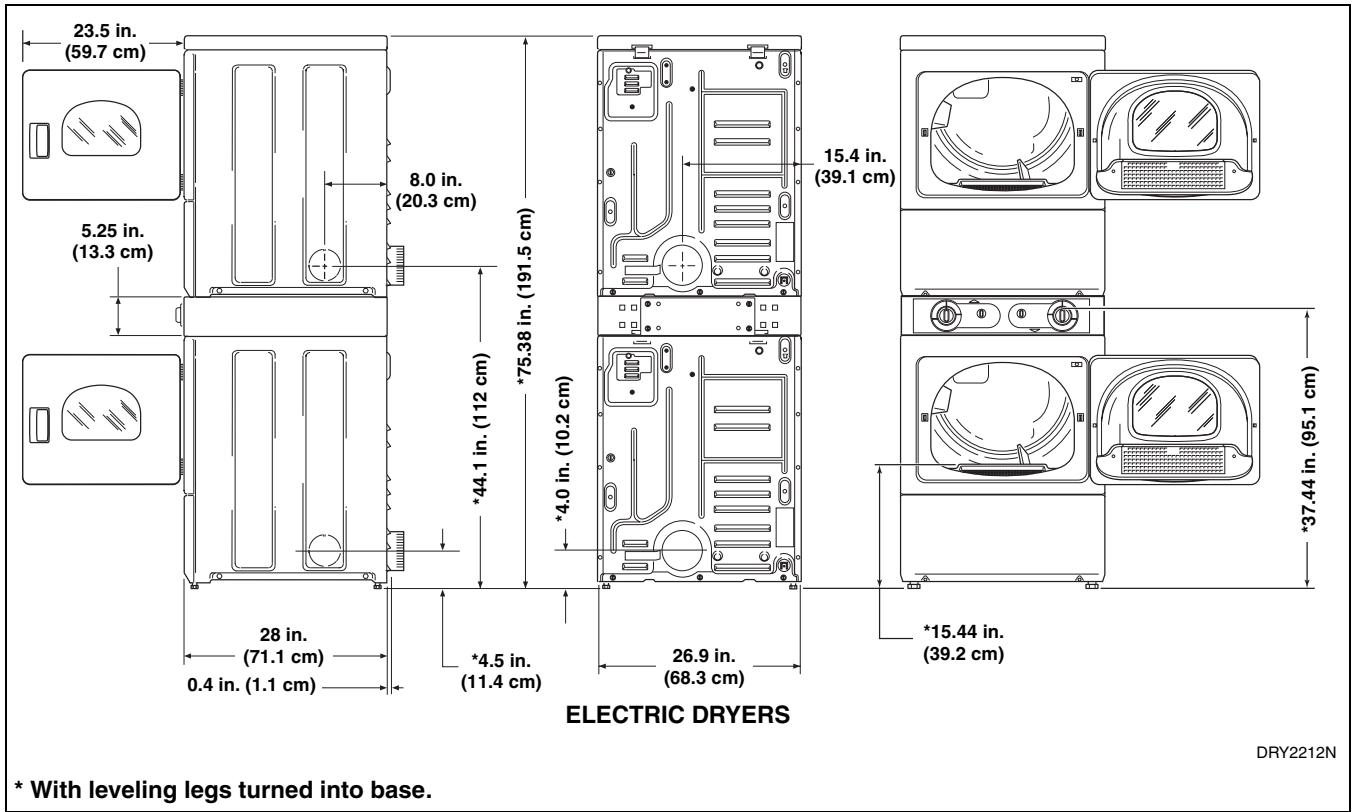
The following information applies to the state of Massachusetts, USA.

- This appliance can only be installed by a Massachusetts licensed plumber or gas fitter.
- This appliance must be installed with a 36 inch (91 cm) long flexible gas connector.
- A "T-Handle" type gas shut-off valve must be installed in the gas supply line to this appliance.
- This appliance must not be installed in a bedroom or bathroom.

© Copyright 2008, Alliance Laundry Systems LLC

All rights reserved. No part of the contents of this book may be reproduced or transmitted in any form or by any means without the expressed written consent of the publisher.

# Dimensions



## Before You Start

### Supplies

For most installations, the basic supplies you will need are:

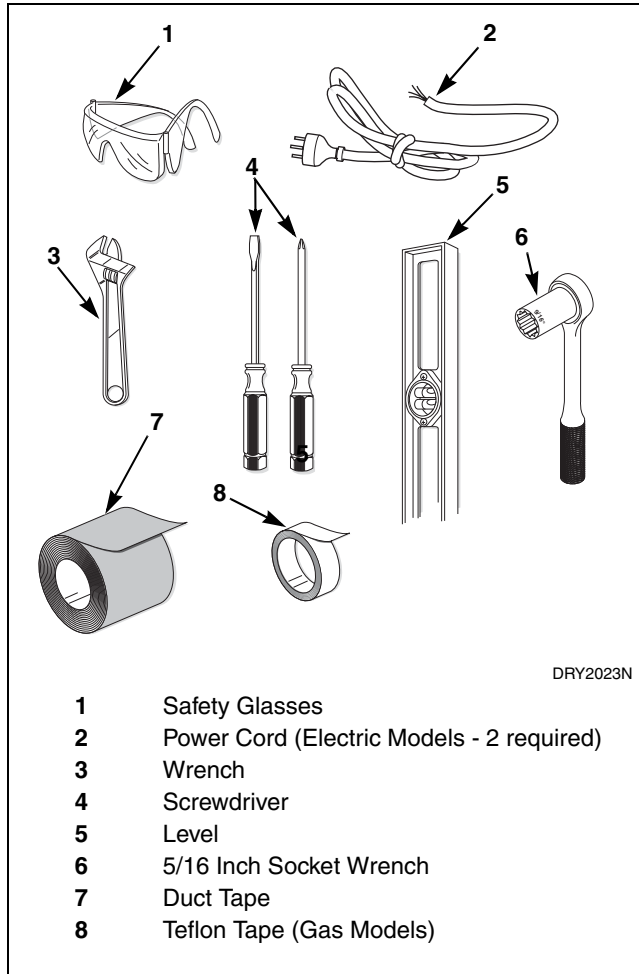


Figure 1

## Parts Included

An accessories bag has been shipped inside your dryer. It includes:

- Installation Instructions
- User's Guide
- Product Registration Card
- Warranty Bond
- Three screws (electric dryers only). Refer to *Connecting Power Cord* sections in Step 4 of *Installation*.

	<b>WARNING</b>
<b>Any disassembly requiring the use of tools must be performed by a suitably qualified service person.</b>	
W299	

## Installing the Dryer

### Step 1: Position and Level the Dryer

Install dryer before washer. This allows room for attaching exhaust duct.

Select a location with a solid floor. Dryers installed in residential garages must be elevated 18 inches (46 cm) above the floor.

No other fuel burning appliance should be installed in the same closet with the dryer.

The dryer must not be installed or stored in an area where it will be exposed to water and/or weather.

The dryer needs sufficient clearance and an adequate air supply for proper operation and ventilation, and for easier installation and servicing. (Minimum clearances are shown below).

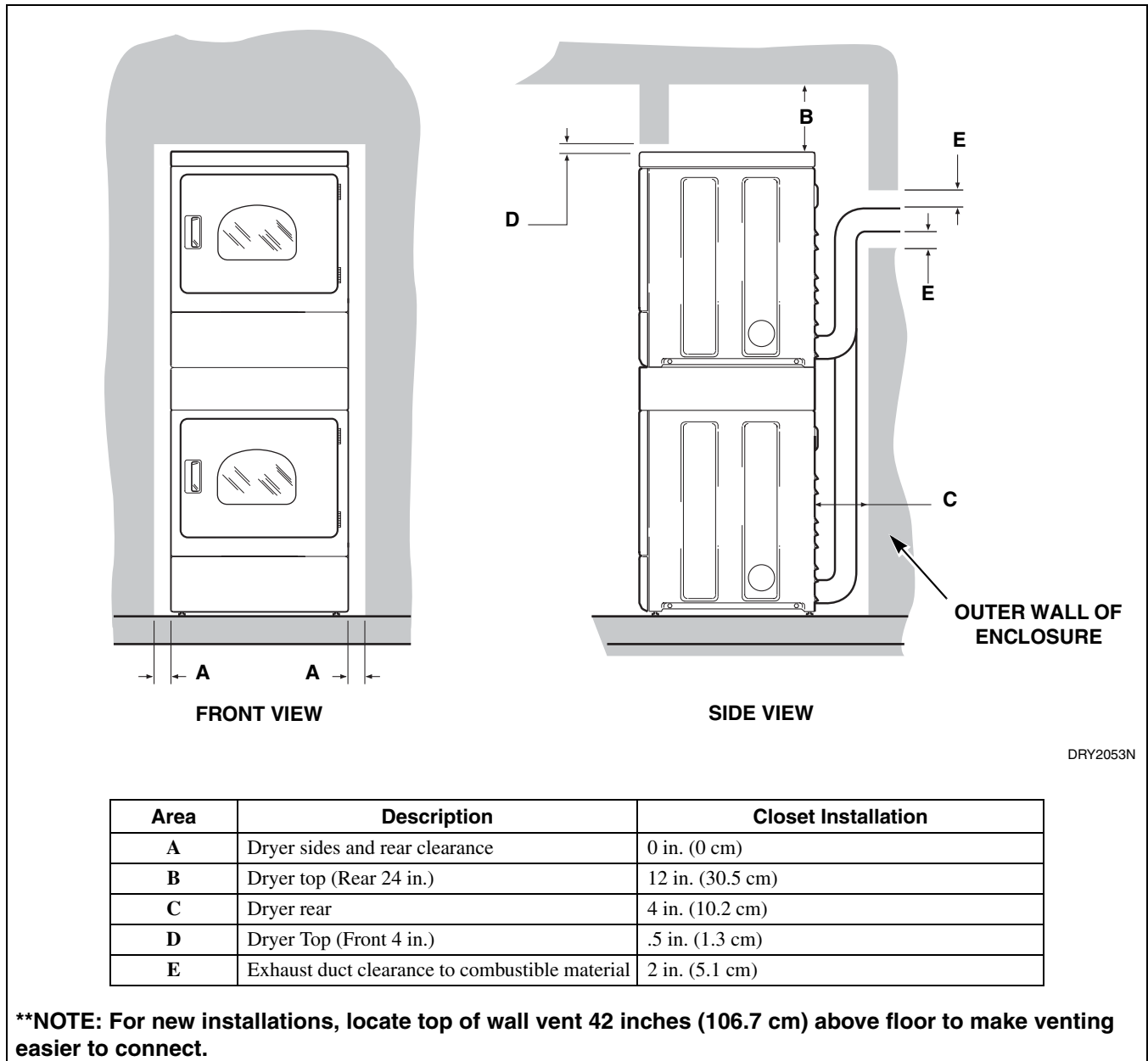


Figure 2

Place the dryer in position, and adjust the legs until the dryer is level from side to side and front to back. The dryer must not rock.

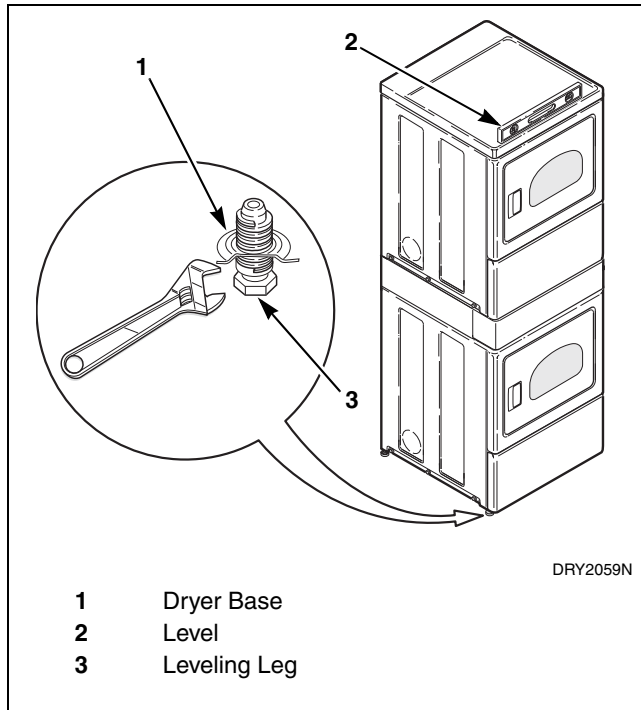


Figure 3

**IMPORTANT:** In mobile home installations, gas dryers **MUST** be permanently attached to the floor at the time of installation. Order No. 526P3 Dryer Installation Kit (available at extra cost) for a manufactured (mobile) home installation. Follow the instructions supplied with the kit.

**Step 2: Connect Dryer Exhaust System**

	<b>WARNING</b>
<p>To reduce the risk of fire and combustion gas accumulation the dryer <b>MUST</b> be exhausted to the outdoors.</p> <p style="text-align: right;">W604</p>	
<p>To reduce the risk of fire and the accumulation of combustion gases, <b>DO NOT</b> exhaust dryer air into a window well, gas vent, chimney or enclosed, unventilated area, such as an attic, wall, ceiling, crawl space under a building or concealed space of a building.</p> <p style="text-align: right;">W045</p>	

	<b>WARNING</b>
<p>This gas appliance contains or produces a chemical or chemicals which can cause death or serious illness and which are known to the State of California to cause cancer, birth defects, or other reproductive harm. To reduce the risk from substances in the fuel or from fuel combustion, make sure this appliance is installed, operated, and maintained according to the instructions in this manual.</p> <p style="text-align: right;">W115</p>	
<p>To reduce the risk of fire, <b>DO NOT</b> use plastic or thin foil ducting to exhaust the dryer.</p> <p style="text-align: right;">W354</p>	

- **DO NOT** use plastic or thin foil ducting. Rigid metal duct is recommended.

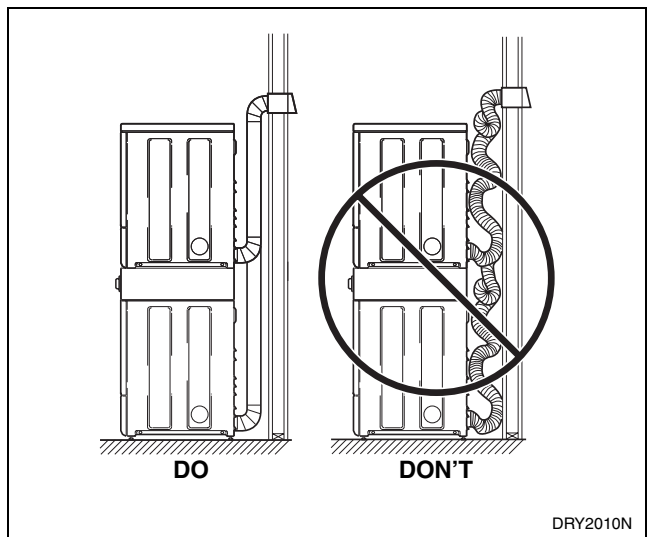


Figure 4

- Locate dryer so exhaust duct is as short as possible.
- Be certain old ducts are cleaned before installing your new dryer.
- Use 4 inch (102 mm) diameter rigid or flexible metal duct.
- The male end of each section of duct must point away from the dryer.
- Use as few elbows as possible.
- Use duct tape or pop-rivets on all duct joints. **DO NOT** use sheet metal screws or fasteners on exhaust pipe joints which extend into duct and catch lint.

- Ductwork that runs through unheated areas must be insulated to help reduce condensation and lint build-up on pipe walls.
- In mobile home installations, dryer exhaust duct must be secured to mobile home structure.
- Dryer exhaust duct **MUST NOT** terminate under mobile home.
- Dryer exhausts 220 cfm (measured at back of dryer).
- Static pressure in exhaust duct should not be greater than .6 inches water column (1.5 cm), measured with manometer placed on exhaust duct two feet (61 cm) from dryer (check with dryer running and no load).
- Exhausting dryer in hard-to-reach locations can be done by installing 521P3 Flexible Metal Vent Kit (available as optional equipment at extra cost).
- **Failure to exhaust dryer properly will void warranty.**

**NOTE: Venting materials are not supplied with the dryer (obtain locally).**

### Exhaust Direction

The dryer can be exhausted to the outdoors through the back, left, right or bottom of the dryer. **EXCEPTION: Gas dryers cannot be vented out the left side because of the burner housing.**

Dryer is shipped from factory ready for rear exhaust.

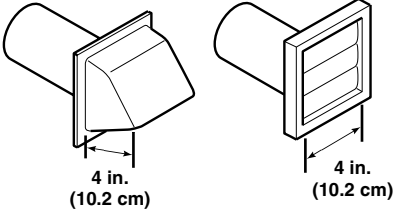
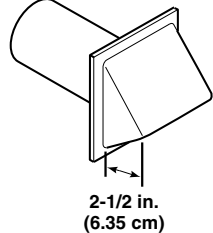
Exhausting the dryer through sides or bottom can be accomplished by installing a Directional Exhaust Kit, 528P3, available as optional equipment at extra cost.

### Exhaust System

For best drying results, recommended maximum length of exhaust system is shown in *Table 1*.

To prevent backdraft when dryer is not in operation, outer end of exhaust pipe must have a weather hood with hinged dampers (obtain locally).

**NOTE: Weather hood should be installed at least 12 inches (30.5 cm) above the ground. Larger clearances may be necessary for installations where heavy snowfall can occur.**


Number of 90° Elbows	Weather Hood Type	
	Recommended	Use Only for Short Run installations
	 <p>4 in. (10.2 cm)</p> <p>4 in. (10.2 cm)</p> <p>D673I</p>	 <p>2-1/2 in. (6.35 cm)</p> <p>D802I</p>
<b>Maximum length of 4 in. (10.2 cm) diameter rigid metal duct.</b>		
0	65 feet (19.8 m)	55 feet (16.8 m)
1	55 feet (16.8 m)	47 feet (14.3 m)
2	47 feet (14.3 m)	41 feet (12.5 m)
3	36 feet (11.0 m)	30 feet (9.1 m)
4	28 feet (8.5 m)	22 feet (6.7 m)

**NOTE: Deduct 6 feet (1.8 m) for each additional elbow.**

Table 1

**NOTE: The maximum length of a 4 in. (10.2 cm) diameter flexible metal duct must not exceed 7.87 ft. (2.4 m), as required to meet UL2158, clause 7.3.2A.**

### Step 3: (Gas Dryer Only) Connect Gas Supply Pipe

	<b>WARNING</b>
<p><b>To reduce the risk of gas leaks, fire or explosion:</b></p> <ul style="list-style-type: none"> <li>• The dryer must be connected to the type of gas as shown on nameplate located in the door recess.</li> <li>• Use a new flexible stainless steel connector.</li> <li>• Use pipe joint compound insoluble in L.P. (Liquefied Petroleum) Gas, or Teflon tape, on all pipe threads.</li> <li>• Purge air and sediment from gas supply line before connecting it to the dryer. Before tightening the connection, purge remaining air from gas line to dryer until odor of gas is detected. This step is required to prevent gas valve contamination.</li> <li>• Do not use an open flame to check for gas leaks. Use a non-corrosive leak detection fluid.</li> <li>• Any disassembly requiring the use of tools must be performed by a suitably qualified service person.</li> </ul>	
W316	

1. Make certain your dryer is equipped for use with the type of gas in your laundry room. Dryer is equipped at the factory for **Natural Gas** with a 3/8 inch NPT gas connection.

**NOTE:** The gas service to a gas dryer must conform with the local codes and ordinances, or in the absence of local codes and ordinances, with the latest edition of the National Fuel Gas Code ANSI Z223.1/NFPA 54 or the CAN/CSA-B149.1, Natural Gas and Propane Installation Code.

**Natural Gas**, 1000 Btu/ft<sup>3</sup> (37.3 MJ/m<sup>3</sup>) service must be supplied at minimum 5.0 inch water column pressure to maximum 10.5 inch water column pressure.

For proper operation at altitudes above 3000 feet (915 m) the natural gas valve spud orifice size must be reduced to ensure complete combustion. Refer to *Table 2*.

Altitude		Orifice Size			Part No.
feet	m	No.	inches	mm	
3000	915	43	0.0890	2.26	503778
6000	1830	44	0.0860	2.18	58719
8000	2440	45	0.0820	2.08	503779
9000	2740	46	0.0810	2.06	503780
10,000	3050	47	0.0785	1.99	503781

Table 2

2. Remove the shipping cap from the gas connection at the rear of the dryer. Make sure you do not damage the pipe threads when removing the cap.
3. Connect to gas supply pipe.

**NOTE:** When connecting to a gas line, an equipment shut-off valve must be installed within 6 feet (1.8 m) of the dryer. An 1/8 in. NPT pipe plug must be installed as shown for checking inlet pressure. Refer to *Figure 5*.

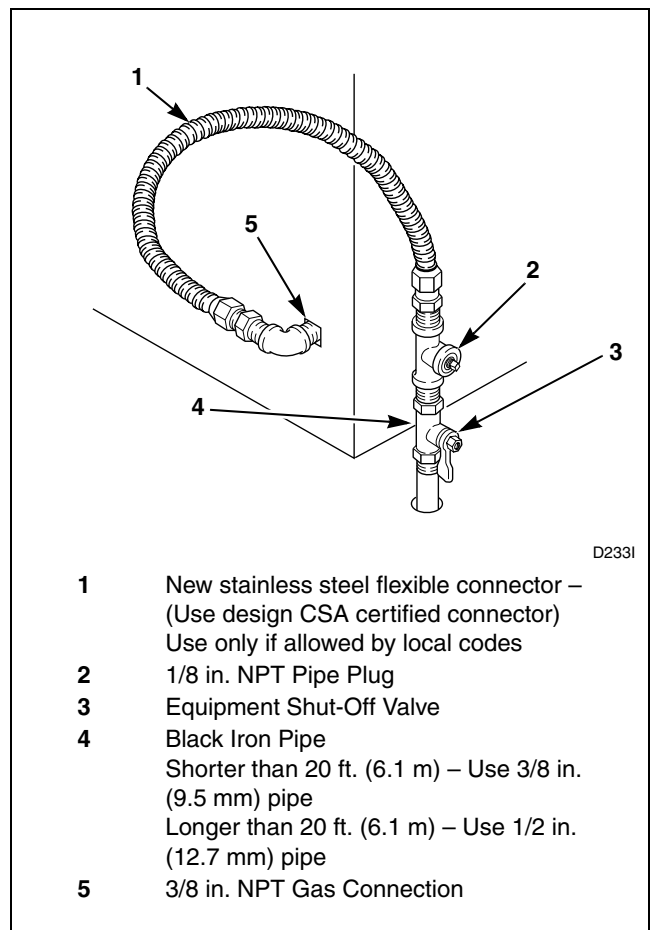


Figure 5



- Tighten all connections securely. Turn on gas and check all pipe connections (internal & external) for gas leaks with a non-corrosive leak detection fluid.

**NOTE: The dryer and its appliance main gas valve must be disconnected from the gas supply piping system during any pressure testing of that system at test pressures in excess of 1/2 psi (3.45 kPa). Refer to Step 8 (Check Heat Source).**

**L.P. (Liquefied Petroleum) Gas**, 2500 Btu/ft<sup>3</sup> (93.1 MJ/m<sup>3</sup>) service must be supplied at 10 ± 1.5 inch water column pressure.

For proper operation at altitudes above 3000 feet (915 m) the L.P. gas valve spud orifice size must be reduced to ensure complete combustion. Refer to *Table 3*.

L.P. Altitude Adjustments					
Altitude		Orifice Size			Part No.
feet	m	No.	inches	mm	
3000	915	55	0.0520	1.32	58755
8000	2440	56	0.0465	1.18	503786


Table 3

**NOTE: DO NOT connect the dryer to L.P. Gas Service without converting the gas valve. Install L.P. Gas Conversion Kit 649P3, available at extra cost.**

#### Step 4: (Electric Dryer Only) Connect Electrical Plug

Dryer requires 120/240 Volt or 120/208 Volt, 60 Hertz, 3 or 4 wire electrical supply. Refer to serial plate for specific electrical requirements.

**NOTE: The wiring diagram is located behind the control panel, inside the control cabinet.**

	<b>WARNING</b>
<p><b>To reduce the risk of fire, electric shock, serious injury or death, all wiring and grounding MUST conform with the latest edition of the National Electrical Code, ANSI/NFPA 70, or the Canadian Electrical Code, CSA C22.1, and such local regulations as might apply. It is the customer's responsibility to have the wiring and fuses installed by a qualified electrician to make sure adequate electrical power is available to the dryer.</b></p>	
W521	

#### Grounding Information

- This dryer must be connected to a grounded metal, permanent wiring system; or an equipment-grounding conductor must be run with the circuit conductors and connected to the equipment-grounding terminal or lead on the dryer.
- The dryer has its own terminal block that must be connected to a separate branch, 60 Hertz, single phase circuit, AC (alternating current) circuit, **fused at 30 Amperes** (the circuit must be fused on both sides of the line). **Electrical service for the dryer should be of maximum rated voltage (208 or 240 Volt depending on heating element) listed on the nameplate. Do not connect dryer to 110, 115, or 120 Volt circuit.**
- Heating elements are available for field installation in dryers which are to be connected to electrical service of different voltage than that listed on nameplate, such as 208 Volt.

**NOTE: Branch circuit wire size requirements to laundry room outlet are shown in Table 4.**

Wire Length	Dryer
Less than 15 ft. (4.5 m)	Listed No. 10 AWG Copper wire only
Longer than 15 ft. (4.5 m)	Listed No. 8 AWG Copper wire only

Table 4

- The power cord connection between wall receptacle and dryer terminal block **IS NOT supplied with dryer**. Type of power cord and gauge of wire must conform to local codes.

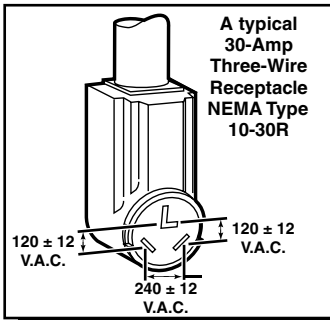
## Connecting Power Cord with Three-Wire Plug

**NOTE: Four-wire cord is required for mobile homes or where codes do not permit grounding through neutral.**

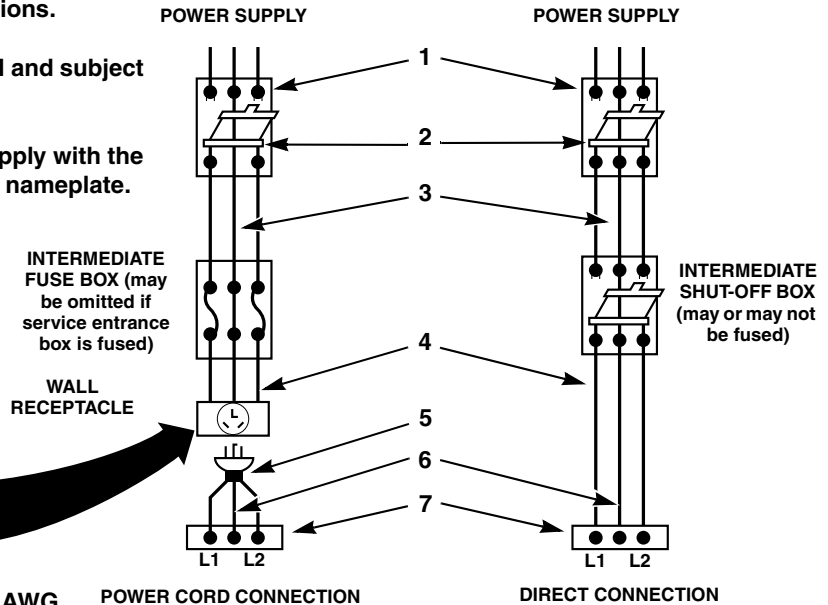
**NOTE: The power cord is NOT supplied with the electric dryer. Type of power cord and gauge of wire must conform to local codes and instructions.**

The method of wiring the dryer is optional and subject to local code requirements.

**NOTE: Connect the dryer to the power supply with the MAXIMUM RATED VOLTAGE listed on the nameplate.**



**NOTE: Use COPPER WIRE only.**  
 Shorter than 15 ft. (4.5 m) – use 10 AWG  
 Longer than 15 ft. (4.5 m) – use 8 AWG



- 1 3 Wire Grounded Neutral 120/240 Volt, 60 Hertz AC 1 Phase Service Entrance Switch Box (Refer to NOTE above)
- 2 30 Ampere Fuses or Circuit Breaker
- 3 Neutral Wire

- 4 Metallic or Non-Metallic Sheathed Cable (**Copper Wire Only**)
- 5 Power Cord (Not supplied with dryer)
- 6 Neutral
- 7 Terminal Block in Dryer

D816I

Figure 6

1. Disconnect power to dryer.
2. Remove access cover from rear of dryer.

3. Use a strain relief and insert end of power cord through power supply hole.

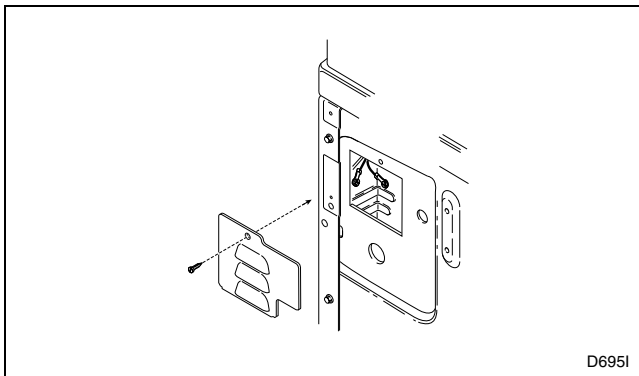


Figure 7

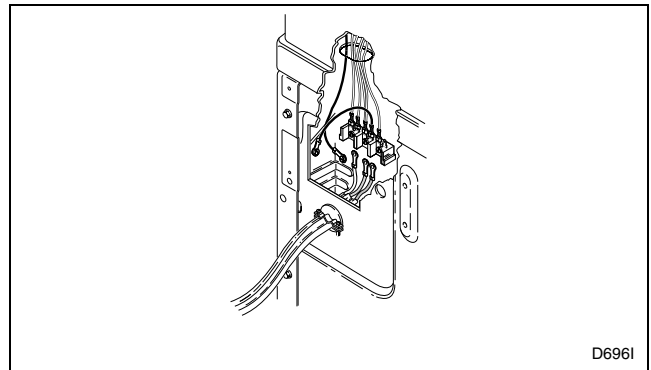


Figure 8

- Use the three screws from the accessories bag to attach the power cord wires to the terminal block. Refer to *Figure 9*.

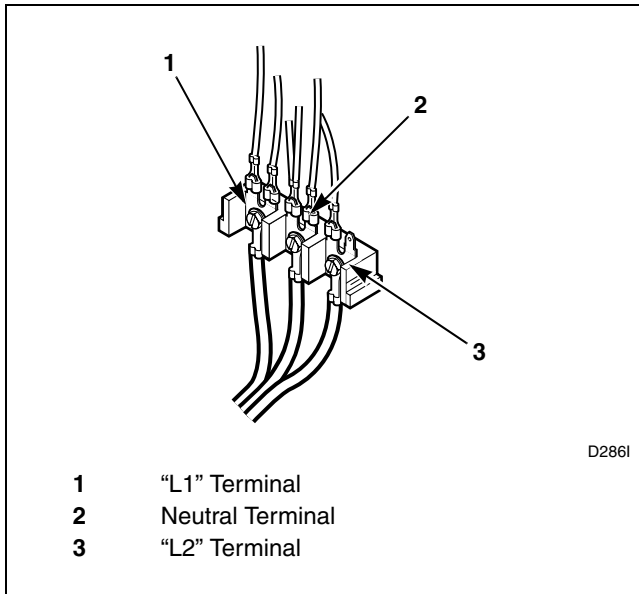


Figure 9

- Tighten all screws firmly.

**IMPORTANT: Failure to tighten these screws firmly may result in wire failure at the terminal block.**

- Secure the strain relief to the power cord, or wires, where they enter the dryer cabinet.
- Check the continuity of the ground connection before plugging the cord into an outlet. Use an acceptable indicating device connected to the center grounding pin of the plug and the green screw on the back of the cabinet.
- Reinstall access cover and screw.

### Connecting Power Cord with Four-Wire Plug

**NOTE: Four-wire cord is required for mobile homes or where codes do not permit grounding through neutral.**

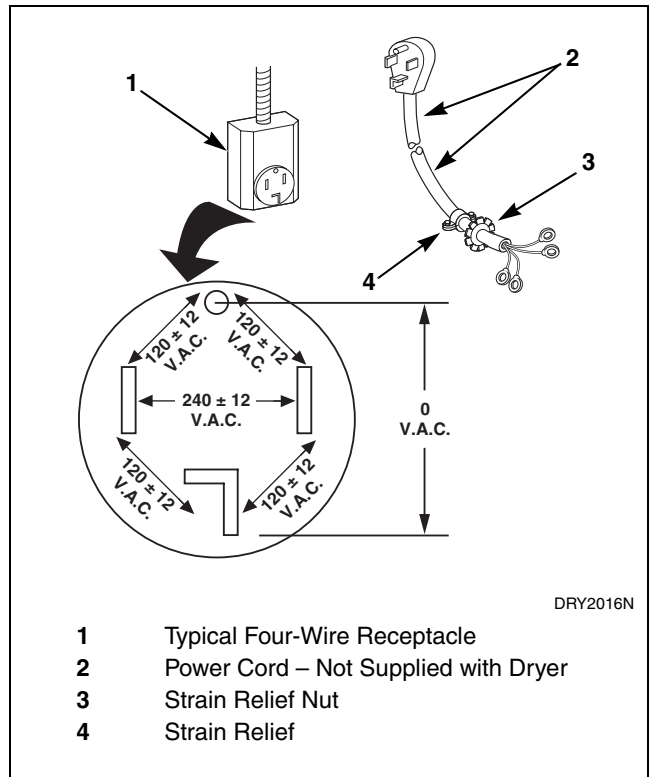


Figure 10

- Disconnect power to dryer.
- Remove access cover from rear of dryer.

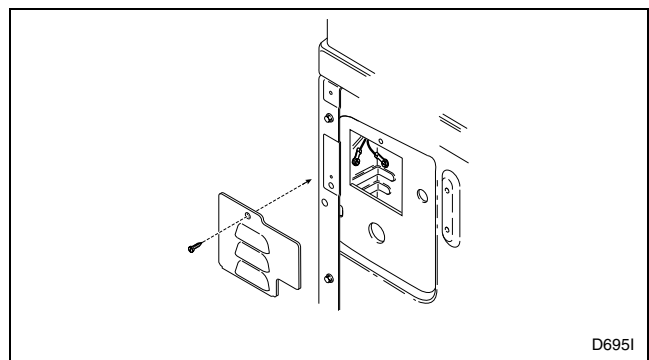


Figure 11

3. Remove ground screw and save for use in Step 5. Remove wire and use in Step 6.

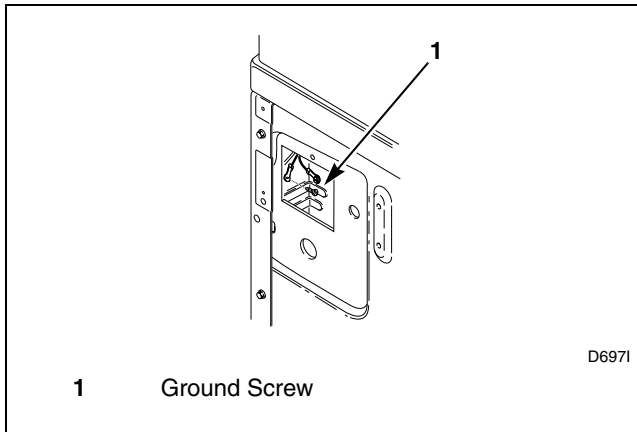


Figure 12

4. Use a strain relief and insert end of power cord through power supply hole.

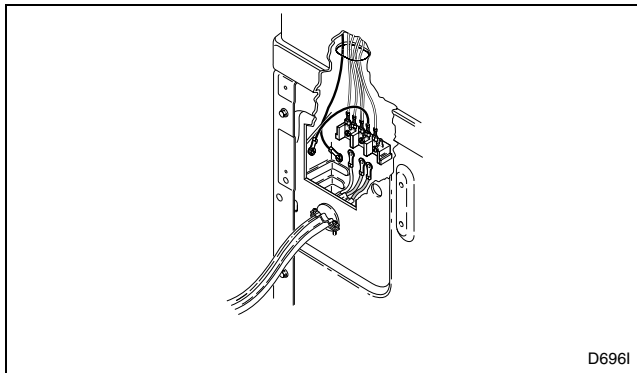


Figure 13

5. Attach power cord ground (green) wire to rear bulkhead using ground screw removed in Step 3.

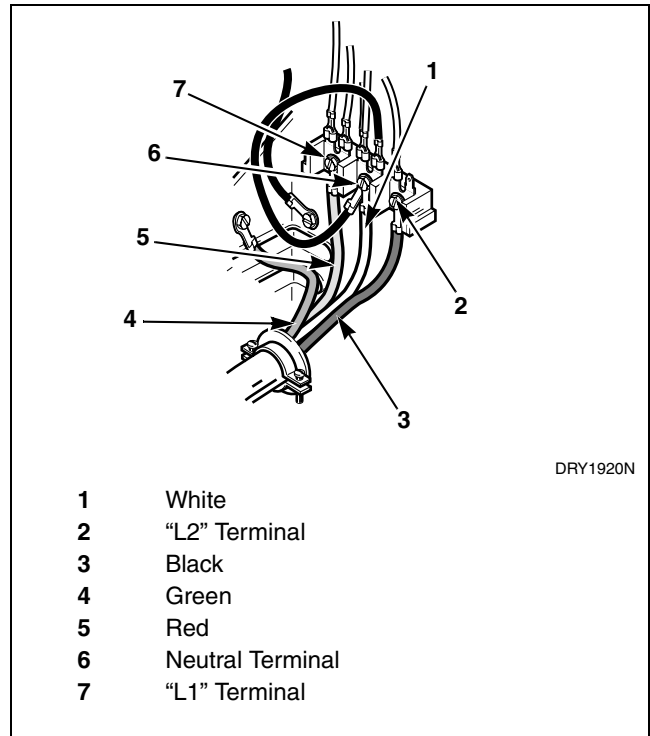


Figure 14

6. Use the three screws from the accessories bag to attach the remaining power cord wires to the terminal block as follows:
  - a. Red wire to "L1" terminal.
  - b. Black wire to "L2" terminal.
  - c. White wire to Neutral terminal.

**NOTE: When installing the white wire, loop the free eyelet end of the ground wire (removed in Step 3) and attach along with the white wire to the neutral (center) terminal on the terminal block.**

7. Tighten all screws firmly.

**IMPORTANT: Failure to tighten these screws firmly may result in wire failure at the terminal block.**

8. Secure the strain relief to the power cord, or wires, where they enter the dryer cabinet.
9. Check the continuity of the ground connection before plugging the cord into an outlet. Use an acceptable indicating device connected to the center grounding pin of the plug and the green screw on the back of the cabinet.
10. Reinstall access cover and screw.

## Step 5: Wipe Out Inside of Dryer

Before using dryer for the first time, use an all-purpose cleaner, or a detergent and water solution, and a damp cloth to remove shipping dust from inside dryer drum.

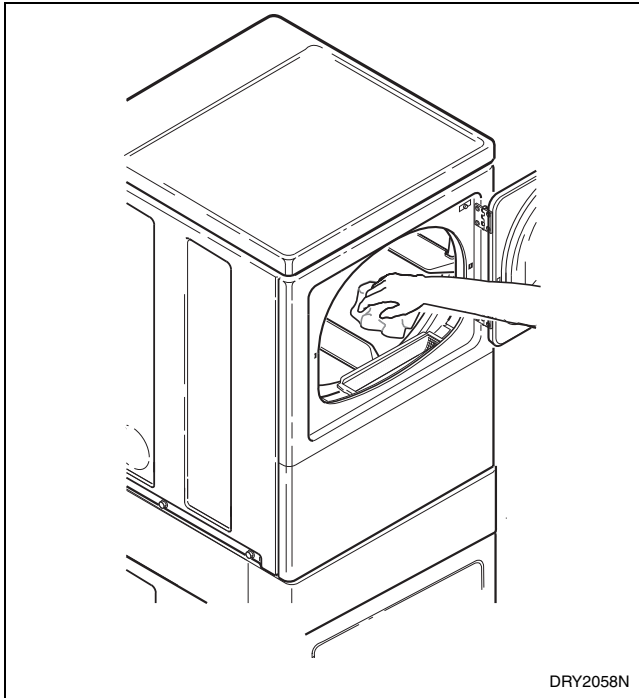


Figure 15

## Step 6: Plug In the Dryer

### Electric Dryer

Connect the dryer to an electrical power source. Refer to Step 4 for information on connecting power cord.

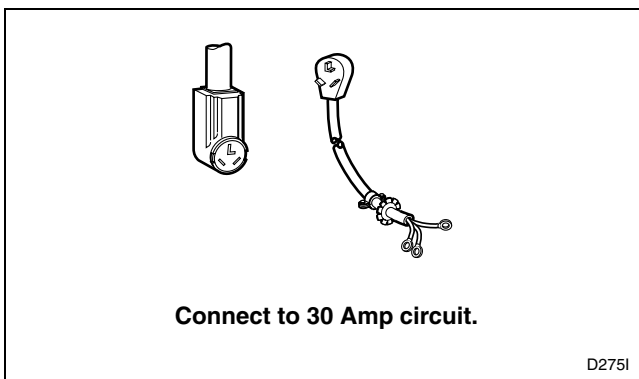


Figure 16

### Gas Dryer

Dryer requires 120 Volt, 60 Hertz electrical supply and comes equipped with a 3-prong grounding plug. Refer to serial plate for specific electrical requirements.

**NOTE:** The wiring diagram is located behind the control panel, inside the control cabinet.

	<b>WARNING</b>
<p>To reduce the risk of fire, electric shock, serious injury or death, all wiring and grounding <b>MUST</b> conform with the latest edition of the National Electrical Code, ANSI/NFPA 70, or the Canadian Electrical Code, CSA C22.1, and such local regulations as might apply. It is the customer's responsibility to have the wiring and fuses installed by a qualified electrician to make sure adequate electrical power is available to the dryer.</p>	
<small>W521</small>	

When plugging in the dryer:


- Do not overload circuits.
- Do not use an adapter.
- Do not use an extension cord.
- Do not operate both a washer and gas dryer on the same circuit. Use separately fused 15 amp circuits.


The dryer is designed to be operated on a separate branch, polarized, three-wire, effectively grounded, 120 Volt, 60 Hertz, AC (alternating current) circuit protected by a **15 Ampere fuse**, equivalent fusetrone or circuit breaker.

The three-prong grounding plug on the power cord should be plugged directly into a polarized three-slot effectively grounded receptacle rated 120 Volts AC (alternating current) 15 Amps. Refer to *Figure 17* to determine correct polarity of the wall receptacle.

## Grounding Information

The dryer must be grounded. In the event of malfunction or breakdown, grounding will reduce the risk of electric shock by providing a path of least resistance for electric current. The dryer is equipped with a cord having an equipment-grounding conductor and a 3 prong grounding plug. The three-prong grounding plug on the power cord should be plugged directly into a polarized three-slot effectively grounded receptacle rated 110/120 Volts AC (alternating current) 15 Amps.


	<b>WARNING</b>
<p><b>This dryer is equipped with a three-prong (grounding) plug for your protection against shock hazard and should be plugged directly into a properly grounded three-prong receptacle. Do not cut or remove the grounding prong from this plug.</b></p>	
W036	

	<b>WARNING</b>
<p><b>Improper connection of the equipment-grounding conductor can result in a risk of electric shock. Check with a qualified electrician or service person if you are in doubt as to whether the dryer is properly grounded.</b></p>	
W038	

Do not modify the plug provided with the dryer – if it will not fit the outlet, have a proper outlet installed by a qualified electrician.

**NOTE: Have a qualified electrician check the polarity of the wall receptacle. If a voltage reading is measured other than that illustrated, the qualified electrician should correct the problem.**

Do not operate other appliances on the same circuit when this appliance is operating.

	<b>WARNING</b>
<p><b>To reduce the risk of an electric shock or fire, DO NOT use an extension cord or an adapter to connect the dryer to the electrical power source.</b></p>	
W037	

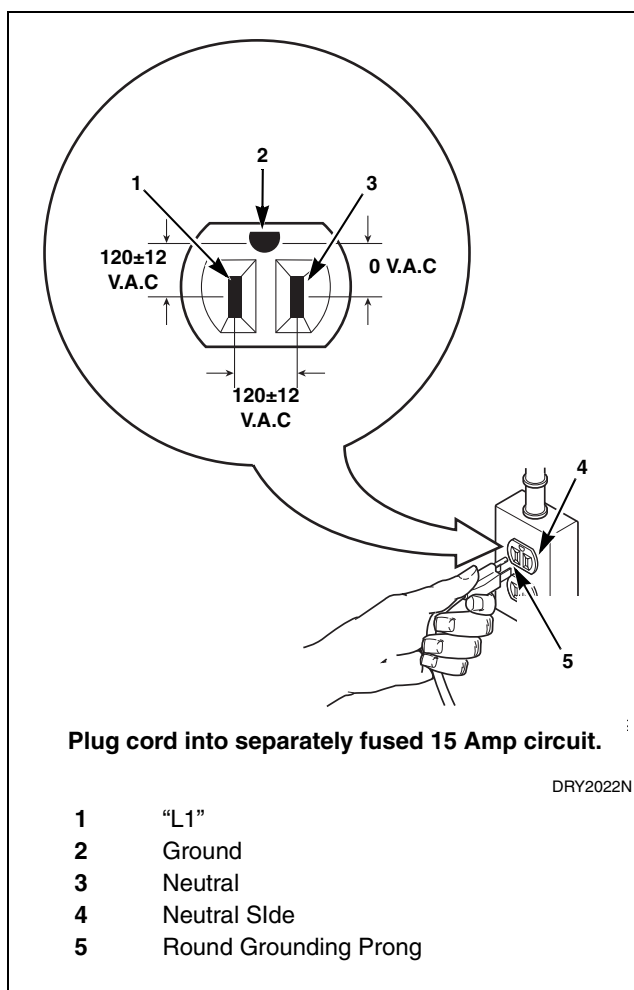


Figure 17

### Step 7: Recheck Steps 1-6

Refer to *Installer Checklist* on the back cover of this manual and make sure that dryer is installed correctly.

### Step 8: Check Heat Source

#### *Electric Dryers*

Close the loading door and start the dryer in a heat setting (refer to the *Operating Your Dryer* section in User’s Guide supplied with the dryer). After the dryer has operated for three minutes, the exhaust air or exhaust pipe should be warm.

## Gas Dryers


To view the burner flame, remove the lower front panel of the dryer.

Close the loading door, start the dryer in a heat setting (refer to the *Operating Your Dryer* section in User's Guide supplied with the dryer); the dryer will start, the igniter will glow red and the main burner will ignite.

**IMPORTANT: If all air is not purged out of gas line, gas igniter may go off before gas is ignited. If this happens, after approximately two minutes igniter will again attempt gas ignition.**

After the dryer has operated for approximately five minutes, observe burner flame through lower front panel. Adjust the air shutter to obtain a soft, uniform blue flame. (A lazy, yellow-tipped flame indicates lack of air. A harsh, roaring, very blue flame indicates too much air.) Adjust the air shutter as follows:

1. Loosen the air shutter lockscrew.
2. Turn the air shutter to the left to get a luminous yellow-tipped flame, then turn it back slowly to the right to obtain a steady, soft blue flame.
3. After the air shutter is adjusted for proper flame, tighten the air shutter lockscrew securely.
4. Reinstall the lower front panel.

	<b>WARNING</b>
<b>For personal safety, lower front panel must be in place during normal operation.</b>	
W046	

After the dryer has operated for approximately three minutes, exhaust air or exhaust pipe should be warm.

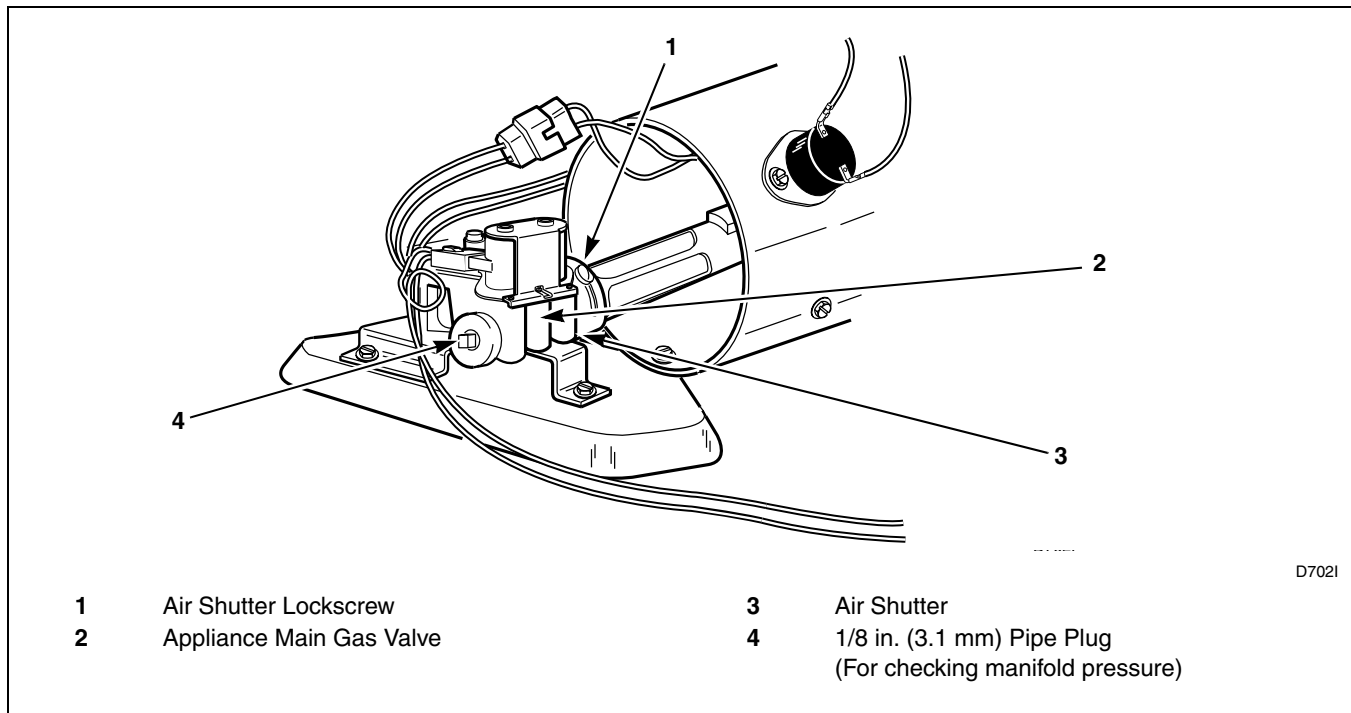


Figure 18







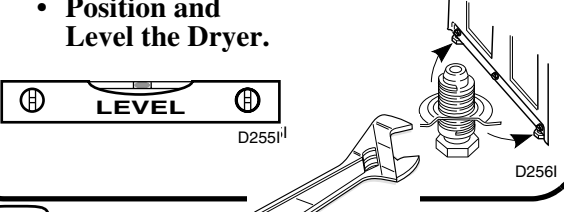
# Installer Checklist

## Fast Track for Installing the Unit

(Refer to the manual for more detailed information)

**1**

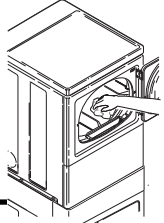
- Position and Level the Dryer.



CHECK

**5**

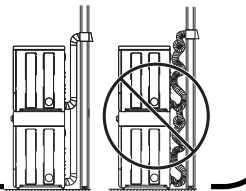
- Wipe Out Inside of Dryer.



CHECK

**2**

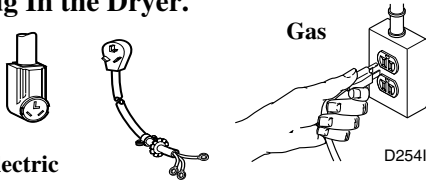
- Connect Dryer Exhaust System.



CHECK

**6**

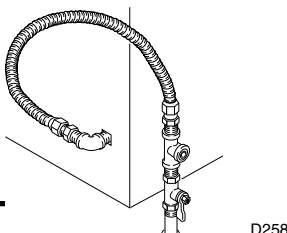
- Plug In the Dryer.



CHECK

**3** GAS ONLY

- Connect Gas Supply Pipe.
- Check for Gas Leaks.



CHECK

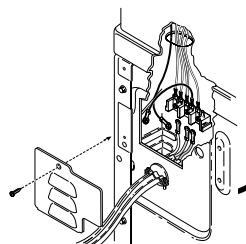
**7**

- Recheck Steps 1-6.

CHECK

**4** ELECTRIC ONLY

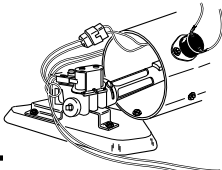
- Connect Electrical Cord.



CHECK

**8**

- Check Heat Source.



CHECK