

THANK YOU for purchasing this high-quality product. If you should experience a problem not covered in TROUBLESHOOTING, please visit our website at [www.agamarvel.com](http://www.agamarvel.com) for additional information. If you still need assistance, call us at 1-800-223-3900.

You will need your model and serial number, located on the inside wall of the refrigerator compartment.

## Model AMPROFD20 Refrigerator User Instructions

### Table of Contents / Table des matières

REFRIGERATOR SAFETY .....	1	SÉCURITÉ DU RÉFRIGÉRATEUR .....	17
INSTALLATION INSTRUCTIONS .....	2	INSTRUCTIONS D'INSTALLATION .....	18
REFRIGERATOR USE .....	7	UTILISATION DU RÉFRIGÉRATEUR .....	23
REFRIGERATOR CARE .....	10	ENTRETIEN DU RÉFRIGÉRATEUR .....	27
TROUBLESHOOTING .....	11	DÉPANNAGE .....	28
WATER FILTER CERTIFICATIONS .....	13	FEUILLES DE DONNÉES SUR LA PERFORMANCE .....	31
PERFORMANCE DATA SHEET .....	14	GARANTIE .....	32
WARRANTY .....	15		

## REFRIGERATOR SAFETY

### Your safety and the safety of others are very important.

We have provided many important safety messages in this manual and on your appliance. Always read and obey all safety messages.



This is the safety alert symbol.

This symbol alerts you to potential hazards that can kill or hurt you and others.

All safety messages will follow the safety alert symbol and either the word "DANGER" or "WARNING."

These words mean:

 **DANGER**

**You can be killed or seriously injured if you don't immediately follow instructions.**

 **WARNING**

**You can be killed or seriously injured if you don't follow instructions.**

All safety messages will tell you what the potential hazard is, tell you how to reduce the chance of injury, and tell you what can happen if the instructions are not followed.

## IMPORTANT SAFETY INSTRUCTIONS

**WARNING:** To reduce the risk of fire, electric shock, or injury when using your refrigerator, follow these basic precautions:

- Plug into a grounded 3 prong outlet.
- Do not remove ground prong.
- Do not use an adapter.
- Do not use an extension cord.
- Disconnect power before servicing.
- Replace all parts and panels before operating.
- Remove doors from your old refrigerator.
- Use nonflammable cleaner.
- Keep flammable materials and vapors, such as gasoline, away from refrigerator.
- Use two or more people to move and install refrigerator.
- Disconnect power before installing ice maker (on ice maker kit ready models only).
- Use a sturdy glass when dispensing ice (on some models).
- Do not hit the refrigerator glass doors (on some models).

### SAVE THESE INSTRUCTIONS

## Proper Disposal of Your Old Refrigerator

### **WARNING**

#### Suffocation Hazard

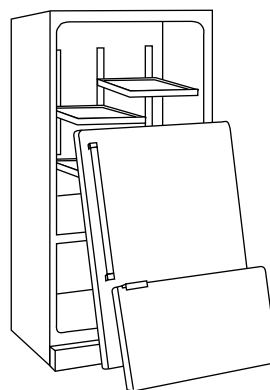
Remove doors from your old refrigerator.

Failure to do so can result in death or brain damage.

**IMPORTANT:** Child entrapment and suffocation are not problems of the past. Junked or abandoned refrigerators are still dangerous – even if they will sit for “just a few days.” If you are getting rid of your old refrigerator, please follow these instructions to help prevent accidents.

### Before You Throw Away Your Old Refrigerator or Freezer:

- Take off the doors.
- Leave the shelves in place so that children may not easily climb inside.



### Important information to know about disposal of refrigerants:

Dispose of refrigerator in accordance with Federal and Local regulations. Refrigerants must be evacuated by a licensed, EPA certified refrigerant technician in accordance with established procedures.

## INSTALLATION INSTRUCTIONS

### Unpack the Refrigerator

### **WARNING**

#### Excessive Weight Hazard

Use two or more people to move and install refrigerator.

Failure to do so can result in back or other injury.

- Do not use sharp instruments, rubbing alcohol, flammable fluids, or abrasive cleaners to remove tape or glue. These products can damage the surface of your refrigerator. For more information, see “Refrigerator Safety.”
- Dispose of/recycle all packaging materials.

### When Moving Your Refrigerator:

Your refrigerator is heavy. When moving the refrigerator for cleaning or service, be sure to cover the floor with cardboard or hardboard to avoid floor damage. Always pull the refrigerator straight out when moving it. Do not wiggle or “walk” the refrigerator when trying to move it, as floor damage could occur.

### Remove the Packaging

- Remove tape and glue residue from surfaces before turning on the refrigerator. Rub a small amount of liquid dish soap over the adhesive with your fingers. Wipe with warm water and dry.

## Clean Before Using

After you remove all of the packaging materials, clean the inside of your refrigerator before using it. See the cleaning instructions in "Refrigerator Care."

### Important information to know about glass shelves and covers:

Do not clean glass shelves or covers with warm water when they are cold. Shelves and covers may break if exposed to sudden temperature changes or impact, such as bumping. Tempered glass is designed to shatter into many small, pebble-size pieces. This is normal. Glass shelves and covers are heavy. Use both hands when removing them to avoid dropping.

## Location Requirements

### ⚠️ WARNING



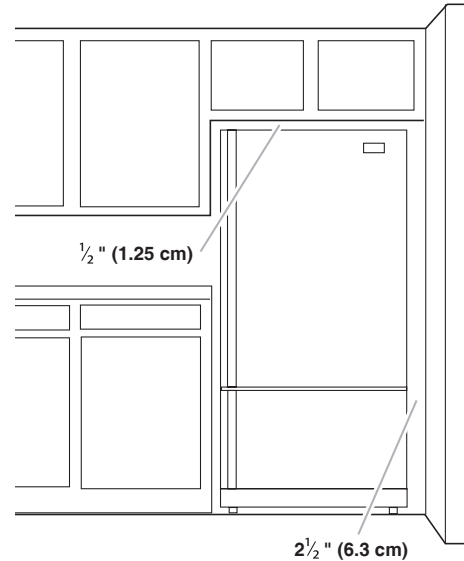
#### Explosion Hazard

**Keep flammable materials and vapors, such as gasoline, away from refrigerator.**

**Failure to do so can result in death, explosion, or fire.**

To ensure proper ventilation for your refrigerator, allow for ½" (1.25 cm) of space on each side and at the top. Allow for 1" (2.54 cm) of space behind the refrigerator. If your refrigerator has an ice maker, allow extra space at the back for the water line connections. When installing your refrigerator next to a fixed wall, leave 2 ½" (6.3 cm) minimum on the hinge side (some models require more) to allow for the door to swing open. See "dimensions" on page 4.

NOTE: This refrigerator is intended for use in a location where the temperature ranges from a minimum of 55°F (13°C) to a maximum of 110°F (43°C). The preferred room temperature range for optimum performance, which reduces electricity usage and provides superior cooling, is between 60°F (15°C) and 90°F (32°C). It is recommended that you do not install the refrigerator near a heat source, such as an oven or radiator.



## Electrical Requirements

### ⚠️ WARNING



#### Electrical Shock Hazard

**Plug into a grounded 3 prong outlet.**

**Do not remove ground prong.**

**Do not use an adapter.**

**Do not use an extension cord.**

**Failure to follow these instructions can result in death, fire, or electrical shock.**

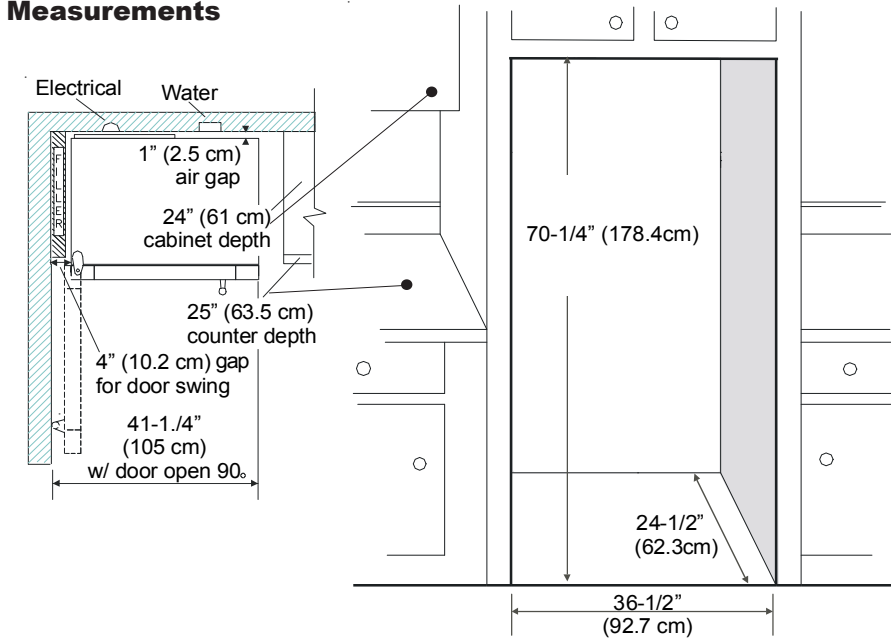
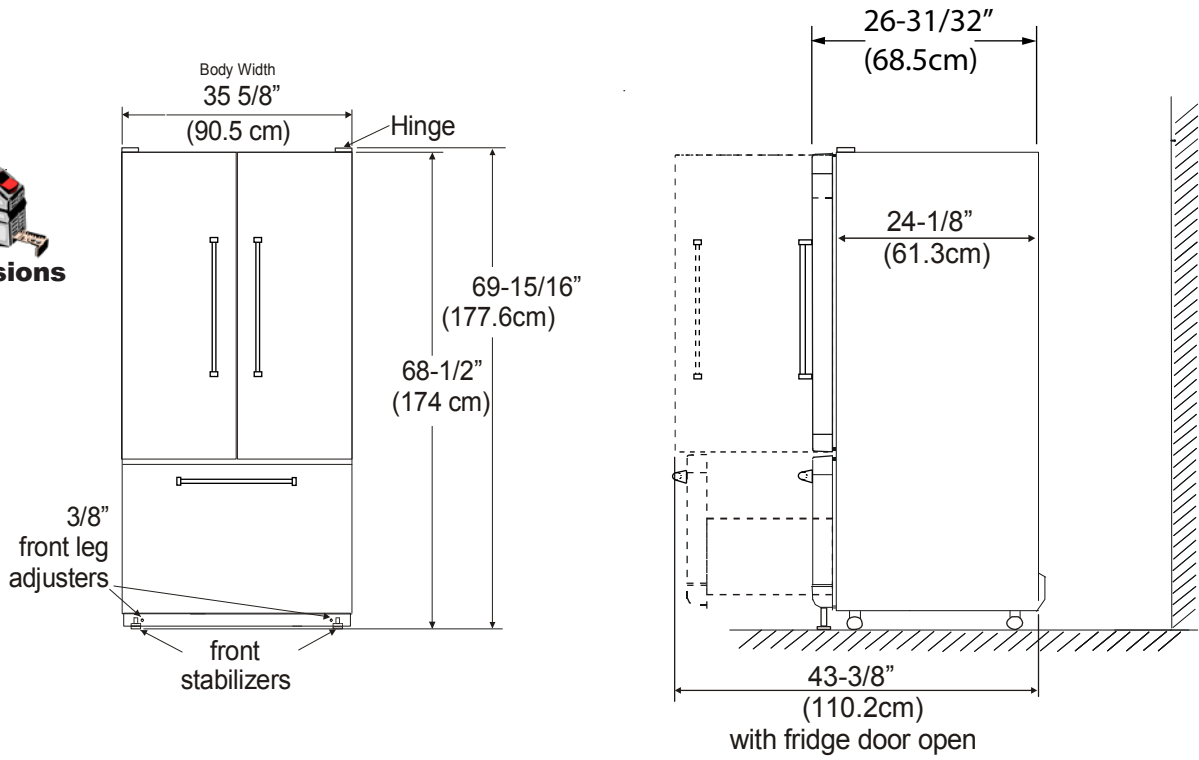
Before you move your refrigerator into its final location, it is important to make sure you have the proper electrical connection.

#### Recommended Grounding Method

A 115 volt, 60 Hz., AC only, 15- or 20-amp fused, grounded electrical supply is required. It is recommended that a separate circuit serving only your refrigerator be provided. Use an outlet that cannot be turned off by a switch. Do not use an extension cord.

NOTE: Before performing any type of installation, cleaning, or removing a light bulb, turn the control (Thermostat, Refrigerator or Freezer Control depending on the model) to OFF and then disconnect the refrigerator from the electrical source. When you are finished, reconnect the refrigerator to the electrical source and reset the control (Thermostat, Refrigerator or Freezer Control depending on the model) to the desired setting. See "Using the Controls."

# Model AMPROFD20



## Water Supply Requirements

Gather the required tools and parts before starting installation. Read and follow the instructions provided with any tools listed here.

### TOOLS NEEDED:

- Flat-blade screwdriver
- $\frac{1}{4}$ " Nut driver
- $\frac{7}{16}$ " and  $\frac{1}{2}$ " Open-end or two adjustable wrenches
- $\frac{1}{4}$ " Drill bit
- Cordless drill

### IMPORTANT:

- All installations must meet local plumbing code requirements.
- Do not use a piercing-type or  $\frac{3}{16}$ " (4.76 mm) saddle valve which reduces water flow and clogs more easily.
- Use copper tubing and check for leaks. Install copper tubing only in areas where the household temperatures will remain above freezing.
- For models with water filters, the disposable water filter should be replaced at least every 6 months.

## Water Pressure

A cold water supply with water pressure of between 35 and 120 psi (241 and 827 kPa) is required to operate the water dispenser and ice maker. If you have questions about your water pressure, call a licensed, qualified plumber.

### Reverse Osmosis Water Supply

**IMPORTANT:** The pressure of the water supply coming out of a reverse osmosis system going to the water inlet valve of the refrigerator needs to be between 35 and 120 psi (241 and 827 kPa).

If a reverse osmosis water filtration system is connected to your cold water supply, the water pressure to the reverse osmosis system needs to be a minimum of 40 to 60 psi (276 to 414 kPa).

If the water pressure to the reverse osmosis system is less than 40 to 60 psi (276 to 414 kPa):

- Check to see whether the sediment filter in the reverse osmosis system is blocked. Replace the filter if necessary.
- Allow the storage tank on the reverse osmosis system to refill after heavy usage.
- If your refrigerator has a water filter, it may further reduce the water pressure when used in conjunction with a reverse osmosis system. Remove the water filter. See "Water Filtration System."

If you have questions about your water pressure, call a licensed, qualified plumber.

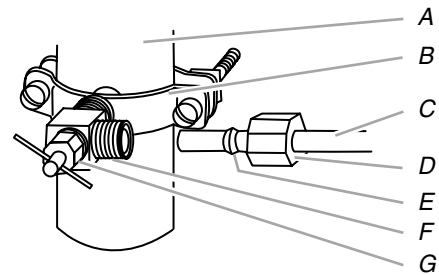
## Connect the Water Supply

Read all directions before you begin.

**IMPORTANT:** If you turn on the refrigerator before the water line is connected, turn off the ice maker to avoid excessive noise or damage to the water valve.

### Connect to Water Line

1. Unplug refrigerator or disconnect power.
2. Turn OFF main water supply. Turn ON nearest faucet long enough to clear line of water.
3. Find a  $\frac{1}{2}$ " to  $1\frac{1}{4}$ " (12.7 mm to 31.8 mm) vertical cold water pipe near the refrigerator.  
**IMPORTANT:**
  - Make sure it is a cold water pipe.
  - Horizontal pipe will work, but the following procedure must be followed: Drill on the top side of the pipe, not the bottom. This will help keep water away from the drill. This also keeps normal sediment from collecting in the valve.
4. Determine the length of copper tubing you need. Measure from the connection on the lower right rear of the refrigerator to the water pipe. Add 7 ft (2.1 m) to allow for cleaning. Use  $\frac{1}{4}$ " (6.35 mm) O.D. (outside diameter) copper tubing. Be sure both ends of copper tubing are cut square.
5. Using a cordless drill, drill a  $\frac{1}{4}$ " hole in the cold water pipe you have selected.



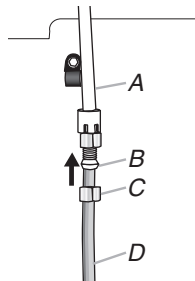
- A. Cold water pipe
- B. Pipe clamp
- C. Copper tubing
- D. Compression nut
- E. Compression sleeve
- F. Shutoff valve
- G. Packing nut

6. Fasten the shutoff valve to the cold water pipe with the pipe clamp. Be sure the outlet end is solidly in the  $\frac{1}{4}$ " drilled hole in the water pipe and that the washer is under the pipe clamp. Tighten the packing nut. Tighten the pipe clamp screws slowly and evenly so the washer makes a watertight seal. Do not overtighten.
7. Slip the compression sleeve and compression nut on the copper tubing as shown. Insert the end of the tubing into the outlet end squarely as far as it will go. Screw compression nut onto outlet end with adjustable wrench. Do not overtighten or you may crush the copper tubing.
8. Place the free end of the tubing in a container or sink, and turn ON the main water supply. Flush the tubing until water is clear. Turn OFF the shutoff valve on the water pipe.

## Connect to Refrigerator

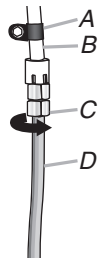
The water line comes down from the top on the back of the refrigerator. Follow the connection instructions below:

1. Create a service loop (minimum diameter of 2 ft [61 cm]) with the copper tubing. Avoid kinks when coiling the copper tubing.
2. Remove the plastic cap from water valve inlet port. Place a compression nut and sleeve on the copper tubing.
3. Insert the end of the copper tubing into the water valve inlet port. Shape tubing slightly so that the tubing feeds straight into the port to avoid kinks.
4. Slide the compression nut over the sleeve and screw into the water valve inlet port.



A. Plastic water tubing  
B. Sleeve  
C. Compression nut  
D. Copper tubing

5. Using an adjustable wrench, hold the nut on the plastic water line to keep it from moving. Then, with a second wrench turn the compression nut on the copper tubing counterclockwise to completely tighten. Do not overtighten.



A. "P" clamp  
B. Plastic water line  
C. Compression nut  
D. Copper tubing

6. Check connection by pulling on copper tubing. Attach the plastic water line to the refrigerator cabinet with a "P" clamp.
7. Turn on water supply to the refrigerator and check for leaks. Correct any leaks.

## Complete the Installation

### ⚠ WARNING



#### Electrical Shock Hazard

**Plug into a grounded 3 prong outlet.**

**Do not remove ground prong.**

**Do not use an adapter.**

**Do not use an extension cord.**

**Failure to follow these instructions can result in death, fire, or electrical shock.**

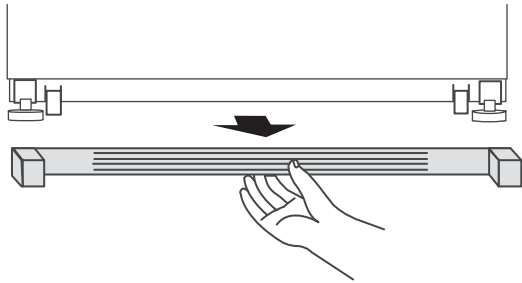
1. Plug into a grounded 3 prong outlet.

NOTE: Allow 24 hours to produce the first batch of ice. Discard the first three batches of ice produced. Allow 3 days to completely fill the ice storage bin.

## Door Closing and Door Alignment

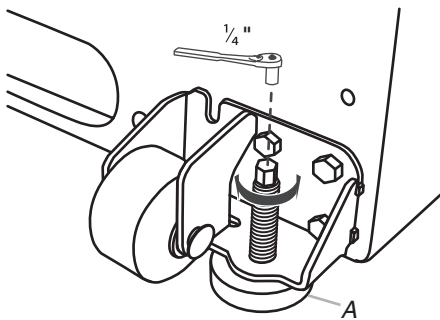
The base grille covers the leveling screws and roller assemblies located at the bottom of the refrigerator cabinet below the freezer door or drawer. Before making adjustments, remove the base grille and move the refrigerator to its final location.

1. Remove the base grille. Grasp the grille firmly and pull it toward you.



2. Move the refrigerator to its final location.  
NOTE: To allow the refrigerator to roll easier, raise the leveling legs off the floor by turning the leveling screws counterclockwise. The front rollers will be touching the floor.
3. So the doors will close easier, use a 1/4" hex driver to turn both leveling screws clockwise. This will raise the front of the refrigerator tilting it slightly downward to the rear. Turn both leveling screws the same amount.

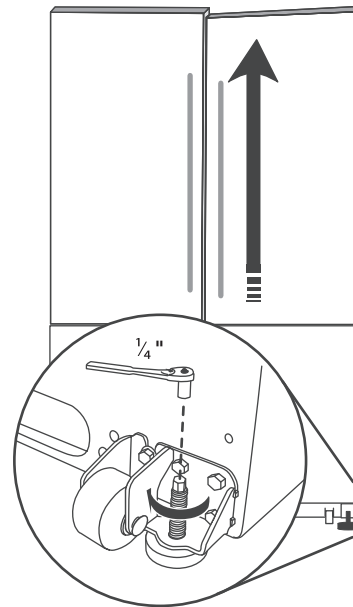
NOTE: Having someone push against the top of the refrigerator takes some weight off the leveling screws. This makes it easier to turn the screws.



A. Leveling screw

4. Open and close the doors to make sure they close as easily as you like. If not, increase the tilt by turning both leveling screws clockwise. It may take several turns of the leveling screw to allow the doors to close easier.
5. Check for door alignment. If one door is lower than the other, adjust the leveling screw, on the lower side of the refrigerator. Using a 1/4" hex driver, turn the screw clockwise to raise that side of the refrigerator until the doors are aligned. It may take several turns of the leveling screw to raise the refrigerator.

NOTE: Having someone push against the top of the refrigerator takes some weight off the leveling screws. This makes it easier to turn the screws.



6. Make sure the refrigerator is steady. If the refrigerator seems unsteady or rolls forward when the door or drawer is opened adjust the leveling screws. Using a 1/4" hex driver, turn the leveling screw on each side clockwise until the rollers are up and the leveling feet are firmly against the floor.

NOTE: Having someone push against the top of the refrigerator takes some weight off the leveling screws. This makes it easier to turn the screws.

7. Replace the base grille by aligning the ends of the grille with the leveling assemblies on each side and snapping the grille into place.

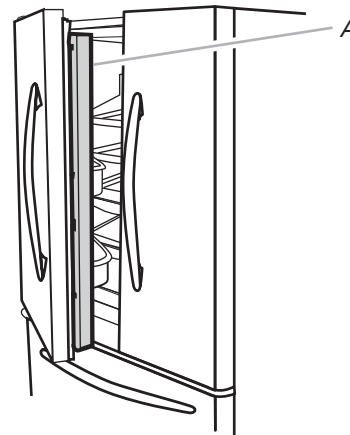
## REFRIGERATOR USE

### Opening and Closing Doors

There are two refrigerator compartment doors. The doors can be opened and closed either separately or together.

There is a vertically-hinged seal on the left refrigerator door.

- When the left side door is opened, the hinged seal automatically folds inward so that it is out of the way.
- When both doors are closed, the hinged seal automatically forms a seal between the two doors.



A. Hinged seal

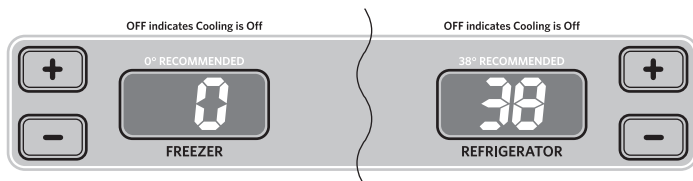
## Using the Controls

The control center is located at the top front of the refrigerator compartment.

### Temperature Controls

For your convenience, your temperature controls are preset at the factory. When you first install your refrigerator, make sure the controls are still set to the recommended set points as shown.

#### Recommended Settings



#### IMPORTANT:

- The recommended settings should be correct for normal household refrigerator use. The controls are set correctly when milk or juice is as cold as you like and when ice cream is firm.
- When the power is on, the temperature display shows the set point temperature of the compartment.
- Wait 24 hours for your refrigerator to cool completely before adding food. If you add food before the refrigerator has cooled completely, your food may spoil.

NOTE: Adjusting the refrigerator and freezer temperature controls to a colder than recommended setting will not cool the compartments any faster.

- If the temperature is too warm or too cold in the refrigerator or freezer, first check the air vents to be sure they are not blocked before adjusting the controls.

#### To Turn Your Refrigerator Off/On:

- Press the freezer (+) touch pad repeatedly until "OFF" appears in the freezer display. Allow a few seconds for the refrigerator to shut off. Neither compartment will cool.
- Press either the refrigerator or freezer (-) touch pad to turn on the refrigerator.

### Adjusting Controls

The REFRIGERATOR control adjusts the refrigerator compartment temperature. The FREEZER control adjusts the freezer compartment temperature.

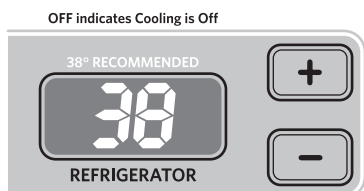
If you need to adjust the temperature in either the refrigerator or freezer compartment, use the settings listed in the chart as a guide.

#### To Adjust Set Point Temperatures:

The first touch of the (+) or (-) touch pad displays the current temperature set point.

- Press the (+) or (-) touch pads until the desired temperature set point is displayed.

NOTE: Except when first turning on the refrigerator, do not adjust either temperature control more than one setting at a time. Wait 24 hours between adjustments for the temperature to stabilize.



CONDITION/REASON:	ADJUSTMENT:
REFRIGERATOR too warm	REFRIGERATOR Control 1° lower
FREEZER too warm/too little ice	Adjust FREEZER Control 1° lower
REFRIGERATOR too cold	Adjust REFRIGERATOR Control 1° higher
FREEZER too cold	Adjust FREEZER Control 1° higher

### Additional Control Center Features

#### Max Ice

The Max Ice feature assists with temporary periods of heavy ice use by increasing ice production.

- Press the Max Ice feature touch pad to set the freezer to the lowest temperature setting. Press the Max Ice feature touch pad again to return to the normal freezer set point.

NOTE: The Max Ice feature will automatically shut off in approximately 24 hours.



#### Humidity Control

The Humidity Control feature turns on a heater to help reduce moisture on the door hinge seal. Use in humid environments or when you notice moisture on the door hinge seal. The refrigerator uses more energy when Humidity Control is on.

- Press Humidity Control when the environment is warm and more humid, or if you notice moisture on the door hinge seal. The indicator light will be lit when humidity control is ON.
- Press Humidity Control to save energy when the environment is less humid.



#### Temp Alarm

The Temp Alarm feature provides temperature information in the event of a power outage.

Power outage: During a power outage, if the temperatures in the refrigerator and freezer compartments exceed normal operating temperatures, the highest temperature reached will be displayed.

- Press the Temp Alarm touch pad until the indicator light is lit, to turn on this feature. Press and hold Temp Alarm for 3 seconds until the indicator light goes off to turn off this feature.

Temperature alarm: An alarm will sound repeatedly if the freezer or refrigerator compartment temperatures exceed normal operating temperatures for an hour or more.

The temperature displays will alternately show the current temperatures and the highest temperatures the compartments reached.

- Press the Temp Alarm touch pad once to stop the audible alarm and alternating temperature displays. The Temp Alarm light will continue to flash until the refrigerator returns to the set temperature.





## Door Alarm

The Door Alarm feature sounds a chime every few seconds when the refrigerator door has been left open for 5 continuous minutes. The chime will sound until the door is closed or Door Alarm is turned off.

- Press the Door Alarm touch pad to turn this feature on or off. The indicator light will be lit when the Door Alarm feature is on.



## Max Cool

The Max Cool feature assists with periods of high refrigerator use, full grocery loads, or temporarily warm room temperatures.

- Press Max Cool to set the freezer and refrigerator to the lowest temperature settings. Press Max Cool again to return to the normal refrigerator set point.

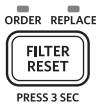
NOTE: The Max Cool feature will automatically shut off in approximately 12 hours.



## Filter Reset

The Filter Reset control allows you to restart the water filter status tracking feature each time you replace your water filter. See "Water Filtration System."

- Press and hold the Filter Reset touch pad for 3 seconds, until the Order or Replace light turns off.



## User Preferences

The control center allows you to set user preferences, if desired.

### Temperature Display (F\_C)

This preference allows you to change the temperature display.

F - Temperature in degrees Fahrenheit

C - Temperature in degrees Celsius

### Alarm (AL)

This preference allows you to turn off the sound of all alarms.

ON - You will hear the alarm sound.

OFF - You will not hear the alarm sound.

### Sabbath Mode (SAB)

IMPORTANT: This preference does not disable interior lights.

ON - All control panel lights will be disabled.

OFF - All control panel lights will be enabled.

NOTE: Press any touch pad on the control panel to restore the control panel lights.

To Access the User Preferences Menu:

1. Press and hold the Door Alarm touch pad for 3 seconds. The preference name will appear in the Freezer display and the preference status (F or C) or (ON or OFF) will appear in the Refrigerator display.
2. Use the Freezer (+) or (-) touch pads to scroll through the preference names. When the desired preference name is displayed, press the Refrigerator (+) or (-) touch pads to change the preference status.
3. Set your preferences by pressing and holding the Door Alarm touch pad for 3 seconds, or by shutting the refrigerator compartment door.

## Crisper Humidity Control

You can control the amount of humidity in the moisture-sealed crisper. Depending on your model, adjust the control to any setting between FRUIT and VEGETABLES or LOW and HIGH.

FRUIT/LOW (open) for best storage of fruits and vegetables with skins.

VEGETABLES/HIGH (closed) for best storage of fresh, leafy vegetables.

## Ice Maker

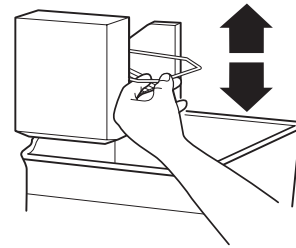
IMPORTANT: Flush the water system before turning on the ice maker. See "Water Dispenser."

### Turning the Ice Maker On/Off

To turn the ice maker ON, simply lower the wire shutoff arm.

To manually turn the ice maker OFF, lift the wire shutoff arm to the OFF (arm up) position and listen for the click.

NOTE: Your ice maker has an automatic shutoff. As ice is made, the ice cubes will fill the ice storage bin and the ice cubes will raise the wire shutoff arm to the OFF (arm up) position. Do not force the wire shutoff arm up or down.



NOTE: Turn off the ice maker before removing the ice storage bin to serve ice or to clean the bin. This will keep the ice cubes from dropping out of the ice maker and into the freezer compartment. After replacing the ice storage bin, turn on the ice maker.

### Ice Production Rate

- The ice maker should produce a complete batch of ice approximately every 3 hours.
- To increase ice production, lower the freezer and refrigerator temperature. See "Using the Controls." Wait 24 hours between adjustments.

### Remember

- Allow 24 hours to produce the first batch of ice. Allow 3 days to completely fill the ice storage bin. Discard the first three batches of ice produced.
- The quality of your ice will be only as good as the quality of the water supplied to your ice maker. Avoid connecting the ice maker to a softened water supply. Water softener chemicals (such as salt) can damage parts of the ice maker and lead to poor quality ice. If a softened water supply cannot be avoided, make sure the water softener is operating properly and is well maintained.
- Do not store anything on top of the ice maker or in the ice storage bin.

## Water Dispenser

(on some models)

### IMPORTANT:

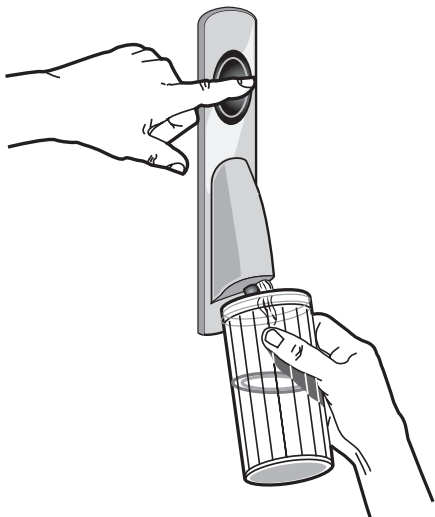
- After connecting the refrigerator to a water source or replacing the water filter, flush the water system. Use a sturdy container to depress and hold the water dispenser lever for 5 seconds, then release it for 5 seconds. Repeat until water begins to flow. Once water begins to flow, continue depressing and releasing the dispenser lever (5 seconds on, 5 seconds off) until a total of 4 gal. (15 L) has been dispensed. This will flush air from the filter and water dispensing system, and prepare the water filter for use. Additional flushing may be required in some households. As air is cleared from the system, water may spurt out of the dispenser.

NOTE: After 5 minutes of continuous dispensing, the dispenser will stop dispensing water to avoid flooding. To continue dispensing, press the dispenser button again.

- Allow 24 hours for the refrigerator to cool down and chill water. Dispense enough water every week to maintain a fresh supply.

### Dispensing Water

1. Hold a container under the dispenser while pressing the button.
2. Release the button to stop dispensing.



## Water Filtration System

The water filter is located in the upper right-hand corner of the refrigerator compartment.

Do not use with water that is microbiologically unsafe or of unknown quality without adequate disinfection before or after the system. Systems certified for cyst reduction may be used on disinfected waters that may contain filterable cysts.

### Water Filter Status Lights

The water filter status lights will help you know when to change the water filter. When the Order light is on, it is almost time to change the water filter. When the Replace light is on, a new water filter should be installed.

After replacing the water filter, press and hold FILTER RESET for 3 seconds until the Order or Replace light turns off. See "Using the Controls."

**IMPORTANT:** The disposable water filter should be replaced at least every 6 months. If the water flow to the water dispenser or ice maker decreases noticeably before 6 months have passed, replace the water filter more often.

### Replacing the Water Filter

To purchase a replacement water filter, part number 31104 contact your dealer or call 1-800-223-3900.

**IMPORTANT:** Air trapped in the water system may cause water and filter to eject. Always dispense water for at least 2 minutes before removing the filter or blue bypass cap.

1. Turn filter counterclockwise to remove.
2. Remove sealing label from replacement filter and insert the filter end into the filter head.
3. Turn the filter clockwise until it stops. Snap the filter cover closed.
4. Flush the water system. See "Water Dispenser" or "Water and Ice Dispenser."

NOTE: The dispenser feature may be used without a water filter installed. Your water will not be filtered. If this option is chosen, replace the filter with the blue bypass cap.

## REFRIGERATOR CARE

### Cleaning

#### ! WARNING



#### Explosion Hazard

Use nonflammable cleaner.

Failure to do so can result in death, explosion, or fire.

Both the refrigerator and freezer sections defrost automatically. However, clean both sections about once a month to avoid buildup of odors. Wipe up spills immediately.

**IMPORTANT:** Because air circulates between both sections, any odors formed in one section will transfer to the other. You must thoroughly clean both sections to eliminate odors. To avoid odor transfer and drying out of food, wrap or cover foods tightly.

### To Clean Your Refrigerator:

NOTE: Do not use abrasive or harsh cleaners such as window sprays, scouring cleansers, flammable fluids, cleaning waxes, concentrated detergents, bleaches or cleansers containing petroleum products on plastic parts, interior and door liners or gaskets. Do not use paper towels, scouring pads, or other harsh cleaning tools.

1. Unplug refrigerator or disconnect power.
2. Hand wash, rinse, and dry removable parts and interior surfaces thoroughly. Use a clean sponge or soft cloth and a mild detergent in warm water.
3. Wash stainless steel and painted metal exteriors with a clean sponge or soft cloth and a mild detergent in warm water.
  - To keep your stainless steel refrigerator looking like new and to remove minor scuffs or marks, it is suggested that you use a Stainless Steel Cleaner and Polish.

**IMPORTANT:** This cleaner is for stainless steel parts only!

Do not allow the Stainless Steel Cleaner and Polish to come into contact with any plastic parts such as the trim pieces, dispenser covers or door gaskets. If unintentional contact does occur, clean plastic part with a sponge and mild detergent in warm water. Dry thoroughly with a soft cloth.

- There is no need for routine condenser cleaning in normal home operating environments. If the environment is particularly greasy or dusty, or there is significant pet traffic in the home, the condenser should be cleaned every 2 to 3 months to ensure maximum efficiency.

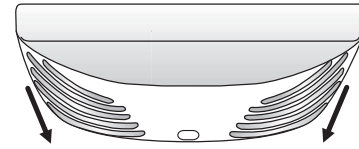
If you need to clean the condenser:

- Remove the base grille.
  - Use a vacuum cleaner with a soft brush to clean the grille, the open areas behind the grille and the front surface area of the condenser.
  - Replace the base grille when finished.
- Plug in refrigerator or reconnect power.

## Changing the Light Bulb

**NOTE:** Not all appliance bulbs will fit your refrigerator. Be sure to replace the bulb with an appliance bulb of the same size, shape, and wattage (no greater than 40 watts).

- Unplug the refrigerator or disconnect power.
- Remove the light shield (on some models).
  - Top of the refrigerator compartment - Slide the light shield toward the back of the compartment to release it from the light assembly.



- Replace the burned-out bulb(s) with an appliance bulb(s) no greater than 40 watts.
- Replace the light shield.
- Plug in refrigerator or reconnect power.

# TROUBLESHOOTING

## Refrigerator Operation

The refrigerator will not operate

### WARNING



#### Electrical Shock Hazard

- Plug into a grounded 3 prong outlet.**
- Do not remove ground prong.**
- Do not use an adapter.**
- Do not use an extension cord.**
- Failure to follow these instructions can result in death, fire, or electrical shock.**

- Power cord unplugged? Plug into a grounded 3 prong outlet.
- Is outlet working? Plug in a lamp to see if the outlet is working.
- Household fuse blown or circuit breaker tripped? Replace the fuse or reset the circuit breaker. If the problem continues, call an electrician.
- Are controls on? Make sure the refrigerator controls are on. See "Using the Control(s)."
- New installation? Allow 24 hours following installation for the refrigerator to cool completely.

**NOTE:** Adjusting the temperature controls to coldest setting will not cool either compartment more quickly.

The motor seems to run too much

Your new refrigerator may run longer than your old one due to its high-efficiency compressor and fans. The unit may run even longer if the room is warm, a large food load is added, doors are opened often, or if the doors have been left open.

The refrigerator seems noisy

Refrigerator noise has been reduced over the years. Due to this reduction, you may hear intermittent noises from your new refrigerator that you did not notice from your old model. Below are listed some normal sounds with explanations.

- Buzzing** - heard when the water valve opens to fill the ice maker
- Pulsating** - fans/compressor adjusting to optimize performance
- Hissing/Rattling** - flow of refrigerant, movement of water lines, or from items placed on top of the refrigerator
- Sizzling/Gurgling** - water dripping on the heater during defrost cycle
- Popping** - contraction/expansion of inside walls, especially during initial cool-down
- Water running** - may be heard when ice melts during the defrost cycle and water runs into the drain pan
- Creaking/Cracking** - occurs as ice is being ejected from the ice maker mold.

---

### The doors will not close completely

---

- Door blocked open? Move food packages away from door.
- Bin or shelf in the way? Push bin or shelf back in the correct position.

---

### The doors are difficult to open

---

## WARNING



### Explosion Hazard

**Use nonflammable cleaner.**

**Failure to do so can result in death, explosion, or fire.**

- Gaskets dirty or sticky? Clean gaskets and contact surfaces with mild soap and warm water. Rinse and dry with soft cloth.

---

## Temperature and Moisture

---

### Temperature is too warm

---

- New installation? Allow 24 hours following installation for the refrigerator to cool completely.
- Door(s) opened often or left open? Allows warm air to enter refrigerator. Minimize door openings and keep doors fully closed.
- Large load of food added? Allow several hours for refrigerator to return to normal temperature.
- Controls set correctly for the surrounding conditions? Adjust the controls a setting colder. Check temperature in 24 hours. See "Using the Control(s)."

---

### There is interior moisture buildup

---

NOTE: Some moisture buildup is normal.

- Humid room? Contributes to moisture buildup.
- Door(s) opened often or left open? Allows humid air to enter refrigerator. Minimize door openings and keep doors fully closed.

---

## Ice and Water

---

### The ice maker is not producing ice or not enough ice

---

- Refrigerator connected to a water supply and the supply shutoff valve turned on? Connect refrigerator to water supply and turn water shutoff valve fully open.
- Kink in the water source line? A kink in the line can reduce water flow. Straighten the water source line.
- Ice maker turned on? Make sure wire shutoff arm or switch (depending on model) is in the ON position.
- New installation? Wait 24 hours after ice maker installation for ice production to begin. Wait 72 hours for full ice production.
- Freezer door closed completely? Firmly close the freezer compartment door. If the freezer compartment door will not close all the way, see "The doors will not close completely," earlier in this section.
- Large amount of ice recently removed? Allow 24 hours for ice maker to produce more ice.
- Ice cube jammed in the ice maker ejector arm? Remove ice from the ejector arm with a plastic utensil.
- Water filter installed on the refrigerator? Remove filter and operate ice maker. If ice volume improves, then the filter may be clogged or incorrectly installed. Replace filter or reinstall it correctly.
- Reverse osmosis water filtration system connected to your cold water supply? This can decrease water pressure. See "Water Supply Requirements."

---

### The ice cubes are hollow or small

---

NOTE: This is an indication of low water pressure.

- Water shutoff valve not fully open? Turn the water shutoff valve fully open.
- Kink in the water source line? A kink in the line can reduce water flow. Straighten the water source line.
- Water filter installed on the refrigerator? Remove filter and operate ice maker. If ice quality improves, then the filter may be clogged or incorrectly installed. Replace filter or reinstall it correctly.
- Reverse osmosis water filtration system connected to your cold water supply? This can decrease water pressure. See "Water Supply Requirements."
- Questions remain regarding water pressure? Call a licensed, qualified plumber.

---

### Off-taste, odor or gray color in the ice

---

- New plumbing connections? New plumbing connections can cause discolored or off-flavored ice.
- Ice stored too long? Discard ice. Wash ice bin. Allow 24 hours for ice maker to make new ice.
- Odor transfer from food? Use airtight, moisture proof packaging to store food.
- Are there minerals (such as sulfur) in the water? A water filter may need to be installed to remove the minerals.
- Water filter installed on the refrigerator? Gray or dark discoloration in ice indicates that the water filtration system needs additional flushing. Flush the water system before using a new water filter. Replace water filter when indicated. See "Water Filtration System."

### The water dispenser will not operate properly

- Refrigerator connected to a water supply and the supply shutoff valve turned on? Connect refrigerator to water supply and turn water shutoff valve fully open.
- Kink in the water source line? Straighten the water source line.
- New installation? Flush and fill the water system. See "Water Dispenser."
- Is the water pressure at least 35 psi (241 kPa)? The water pressure to the home determines the flow from the dispenser. See "Water Supply Requirements."
- Water filter installed on the refrigerator? Remove filter and operate dispenser. If water flow increases, the filter may be clogged or incorrectly installed. Replace filter or reinstall it correctly.
- Refrigerator door closed completely? Close the door firmly. If it does not close completely, see "The doors will not close completely," earlier in this section.
- Recently removed the doors? Make sure the water dispenser wire/tube assembly has been properly reconnected. See "Refrigerator Door(s) and Drawer."
- Reverse osmosis water filtration system connected to your cold water supply? This can decrease water pressure. See "Water Supply Requirements."

### Water is leaking from the dispenser system

NOTE: One or two drops of water after dispensing is normal.

- Glass not being held under the dispenser long enough? Hold the glass under the dispenser 2 to 3 seconds after releasing the dispenser lever.
- New installation? Flush the water system. See "Water Dispenser."
- Recently changed water filter? Flush the water system. See "Water Dispenser."
- Water on the floor near the base grille? Make sure the water dispenser tube connections are fully tightened. See "Refrigerator Door(s) and Drawer."

### Water from the dispenser is warm

NOTE: Water from the dispenser is only chilled to 50°F (10°C).

- New installation? Allow 24 hours after installation for the water supply to cool completely.
- Recently dispensed large amount of water? Allow 24 hours for water supply to cool completely.
- Water not been recently dispensed? The first glass of water may not be cool. Discard the first glass of water.
- Refrigerator connected to a cold water pipe? Make sure the refrigerator is connected to a cold water pipe. See "Water Supply Requirements."

# WATER FILTER CERTIFICATIONS

State of California  
Department of Public Health  
Water Treatment Device  
Certificate Number

03-1583

Date Issued: September 16, 2008  
Date Revised: April 22, 2009

<u>Trademark/Model Designation</u>	<u>Replacement Elements</u>
UKF8001AXX-750	UKF8001
46 9006-750	46 9006
67003523-750	UKF8001

Manufacturer: Cuno Inc.

The water treatment device(s) listed on this certificate have met the testing requirements pursuant to Section 116830 of the Health and Safety Code for the following health related contaminants:

<u>Microbiological Contaminants and Turbidity</u>	<u>Inorganic/Radiological Contaminants</u>
Cysts	Asbestos
Turbidity	Lead
	Mercury

<u>Organic Contaminants</u>
Atrazine
Lindane
Benzene
Carbofuran
p-dichlorobenzene
Toxaphene
Tetrachloroethylene

Rated Service Capacity: 750 gal.

Rated Service Flow: 0.78 gpm

Conditions of Certification:

Do not use where water is microbiologically unsafe or with water of unknown quality, except that systems certified for cyst reduction may be used on disinfected waters that may contain filterable cysts.

State of California  
Department of Public Health  
Water Treatment Device  
Certificate Number

09-1979

Date Issued: May 8, 2009  
Date Revised: 6/22/2010

<u>Trademark/Model Designation</u>	<u>Replacement Elements</u>
UKF8001AXX-200	UKF8001
Kenmore 46 9006-200	46 9006

Manufacturer: 3M Purification

The water treatment device(s) listed on this certificate have met the testing requirements pursuant to Section 116830 of the Health and Safety Code for the following health related contaminants:

<u>Microbiological Contaminants and Turbidity</u>	<u>Inorganic/Radiological Contaminants</u>
Cysts	Asbestos
Turbidity	Lead
	Mercury

<u>Organic Contaminants</u>	<u>More Organic Contaminants</u>
Atrazine	o-dichlorobenzene
Benzene	p-dichlorobenzene
Carbofuran	Tetrachloroethylene
Chlorobenzene	Toxaphene
Endrin	2,4-D
Ethylbenzene	
Lindane	

Rated Service Capacity: 200 gal

Rated Service Flow: 0.55 gpm

Conditions of Certification:

Do not use where water is microbiologically unsafe or with water of unknown quality, except that systems certified for cyst reduction may be used on disinfected waters that may contain filterable cysts.

## Interior Water Filtration System Model UKF8001AXX-200 Capacity 200 Gallons (757 Liters)



System tested and certified by NSF International against NSF/ANSI Standard 42 for the reduction of Chlorine Taste and Odor, Particulate Class I\*; and against NSF/ANSI Standard 53 for the reduction of Lead, Mercury, Atrazine, Benzene, p-Dichlorobenzene, Carbofuran, Toxaphene, Cysts, Turbidity, Asbestos, O-Dichlorobenzene, Ethylbenzene, Chlorobenzene, Endrin, Tetrachloroethylene and Lindane.

This system has been tested according to NSF/ANSI Standards 42 and 53 for the reduction of the substances listed below. The concentration of the indicated substances in water entering the system was reduced to a concentration less than or equal to the permissible limit for water leaving the system, as specified in NSF/ANSI Standards 42 and 53.

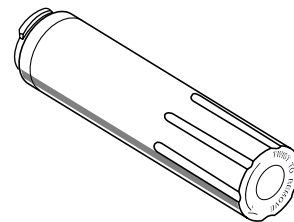
Substance Reduction	NSF Reduction Requirements	Average Influent	Influent Challenge Concentration	Maximum Effluent	Average Effluent	Minimum% Reduction	Average% Reduction
Aesthetic Effects							
Chlorine Taste/Odor	50% reduction	2.00 mg/L	2.0 mg/L ± 10%	0.06 mg/L	0.050625 mg/L	97.00%	97.52%
Particulate Class I *	85% reduction	14,000,000 #/mL	At least 10,000 particles/mL	370,000 #/mL **	196,666 #/mL	97.40%	99.00%
Contaminant Reduction	NSF Reduction Requirements	Average Influent	Influent Challenge Concentration	Maximum Effluent	Average Effluent	Minimum% Reduction	Average% Reduction
Lead: @ pH 6.5	0.010 mg/L	0.150 mg/L †	0.15 mg/L ± 10%	< 0.001 mg/L	< 0.001 mg/L	>99.30%	>99.30%
Lead: @ pH 8.5	0.010 mg/L	0.150 mg/L †	0.15 mg/L ± 10%	< 0.001 mg/L	< 0.001 mg/L	>99.30%	>99.30%
Mercury: @ pH 6.5	0.002 mg/L	0.006 mg/L	0.006 mg/L ± 10%	0.0005 mg/L	0.0003 mg/L	91.70%	95.00%
Mercury: @ pH 8.5	0.002 mg/L	0.0059 mg/L	0.006 mg/L ± 10%	0.0018 mg/L	0.00073 mg/L	69.20%	88.10%
Benzene	0.005 mg/L	0.0133 mg/L	0.015 mg/L ± 10%	0.0005 mg/L	0.0005 mg/L	96.10%	96.30%
p-Dichlorobenzene	0.075 mg/L	0.210 mg/L	0.225 mg/L ± 10%	< 0.0005 mg/L	< 0.0005 mg/L	>99.80%	>99.80%
Carbofuran	0.040 mg/L	0.0753 mg/L	0.08 mg/L ± 10%	0.027 mg/L	0.008 mg/L	64.60%	73.45%
Toxaphene	0.003 mg/L	0.015 mg/L	0.015 ± 10%	< 0.001 mg/L	< 0.001 mg/L	>93.3%	>93.3%
Atrazine	0.003 mg/L	0.0102 mg/L	0.009 mg/L ± 10%	0.0027 mg/L	0.00105 mg/L	76.30%	89.40%
Asbestos	>99%	126.5 MF/L	10 <sup>7</sup> to 10 <sup>8</sup> fibers/L ††	< 0.17 MF/L	< 0.17 MF/L	>99.99%	>99.99%
Live Cysts †	>99.95%	122,500 #/L	50,000/L min.	< 1 #/L †	< 1 #/L †	>99.99%	>99.99%
Turbidity	0.5 NTU	10.5 NTU	11 ± 1 NTU	0.30 NTU	0.125 NTU	97.30%	98.80%
Lindane	0.0002 mg/L	0.0019 mg/L	0.002 ± 10%	< 0.00016 mg/L	0.000035 mg/L	91.80%	97.90%
Tetrachloroethylene	0.005 mg/L	0.015 mg/L	0.015 mg/L ± 10%	< 0.0005 mg/L	< 0.0005 mg/L	>96.6%	>96.6%
O-Dichlorobenzene	0.6 mg/L	1.7 mg/L	1.8 mg/L ± 10%	< 0.5 mg/L	< 0.5 mg/L	>99.9%	>99.9%
Ethylbenzene	0.7 mg/L	2.2 mg/L	2.1 mg/L ± 10%	0.0048 mg/L	0.11 mg/L	99.80%	99.90%
Chlorobenzene	0.1 mg/L	2.0 mg/L	2.0 mg/L ± 10%	0.0038 mg/L	0.0008 mg/L	99.80%	99.90%
Endrin	0.002 mg/L	0.007 mg/L	0.006 mg/L ± 10%	0.0004 mg/L	0.0002 mg/L	94.30%	96.80%

Test Parameters: pH = 7.5 ± 0.5 unless otherwise noted. Flow = 0.55 gpm (2.08 Lpm). Pressure = 60 psig (413.7 kPa). Temp. = 68°F ± 5°F (20°C ± 3°C).

- It is essential that operational, maintenance, and filter replacement requirements be carried out for the product to perform as advertised.
- The disposable water filter should be replaced at least every 6 months.
- The filter monitor system measures the amount of water that passes through the filter and alerts you to replace the filter. When 90% of the filter's rated life is used, the yellow (Order) light comes on. When 100% of the filter's rated life is used, the red (Replace) light comes on, and it is recommended that you replace the filter. For models without filter status lights, replace the filter every 6 months. Use replacement filter part number 31104.

- Refer to the "Water Filtration System" section for the Manufacturer's name and telephone number.
- Refer to the "Warranty" section for the Manufacturer's limited warranty.

Application Guidelines/W	ater Supply Parameters
Water Supply	City or Well
Water Pressure	35 - 120 psi (241 - 827 kPa)
Water Temperature	33° - 100°F (1° - 38°C)
Service Flow Rate	0.55 gpm (2.08 L/min.) @ 60 psi



- The product is for cold water use only.
- Do not use with water that is microbiologically unsafe or of unknown quality without adequate disinfection before or after the system. Systems certified for cyst reduction may be used on disinfected waters that may contain filterable cysts.

\*Class I particle size: >0.5 to <1 um

\*\*Test requirement is at least 100,000 particles/mL of AC Fine Test Dust.

†These contaminants are not necessarily in your water supply. Performance may vary based on local water conditions.

††Fibers greater than 10 um in length

‡Based on the use of Cryptosporidium parvum oocysts

® NSF is a registered trademark of NSF International.



**Warranty**  
**REFRIGERATOR MODEL**  
**36" - AMPROFD20**

**Entire Product – Limited One Year Warranty**

AGA Marvel warrants the replacement or repair of all parts, of this appliance which prove to be defective in material or workmanship, with the exception of the painted or porcelain enamel finish or plated surfaces, for one year from the date of original purchase. Such parts will be repaired or replaced at the option of AGA Marvel without charge, subject to the terms and conditions as set out below.

**Limited Warranty - Major Refrigeration Components**

**Second Through Fifth Year** - After the first year from the date of original purchase, through the fifth year, the manufacturer will repair or replace, at its option, free of charge for parts and labor only, any part of the sealed refrigeration system (consisting of the compressor, evaporator, condenser, drier and connecting tubing) and the cabinet liner (exclusive of the door liner) which fail in normal home use. All other costs, including mileage, transportation, trip charge and diagnostic charge, if required, shall be the responsibility of the owner.

**Limited Warranty - Water Filter-**

**30 days** - From the original retail purchase date, any part of the water filter cartridge which fails due to a defect in workmanship or materials will be replaced free of charge.

**What is not covered by this Warranty**

1. Customer education or instructions on how to use the refrigerator/freezer.
2. Any food loss due to product failure. (Warrantor is not be liable for any incidental or consequential damage including food loss.
3. Any expenses involved in making this appliance readily accessible for servicing.
4. Transportation, delivery, or subsequent damages.
5. Use commercially or rental use or use other than normal household.
6. **Improper installation**, misuse, abuse, accident or alteration, use on wiring not conforming to electrical codes, low voltage, failure to provide necessary maintenance or other unreasonable use.
7. Parts of service not supplied or designated by the factory.
8. Accident, fire, flood, acts of God,
9. Alteration, or the removal or defacing of the serial plate,
10. The original Bill of Sale, delivery date or serial number cannot be verified.
11. The product is moved from place of original installation, and reinstalled without reviewing installation procedures with dealer or manufacturer.
12. Light bulbs
13. If the product is installed outside the normal service area, any cost of transportation expenses [tolls, ferry trip charges, or mileage expenses, etc.] involved in the repair of the product, or the replacement of a defective part, shall be borne by the customer [owner].

THE WARRANTIES, SET FORTH HEREIN ARE THE ONLY WARRANTIES EXTENDED BY AGA MARVEL. ANY IMPLIED WARRANTIES, INCLUDING THE IMPLIED WARRANTY OF MERCHANTABILITY, ARE LIMITED TO THE DURATION OF THESE EXPRESS WARRANTIES. IN NO EVENT SHALL AGA MARVEL BE LIABLE FOR ANY CONSEQUENTIAL OR INCIDENTAL DAMAGES OF EXPENSES RESULTING FROM BREACH OF THESE OR ANY OTHER WARRANTIES, WHETHER EXPRESSED OR IMPLIED. Some states do not allow the exclusion or limitation of consequential damages or limitations on how long an implied warranty lasts, so the above exclusion or limitation may not apply to you. **Warranty applies to product only in the country in which it was purchased.**

No person, firm or corporation is authorized to make any other warranty or assume any other obligation for AGA Marvel. To obtain performance of the warranty, report any defects to: Your Dealer or AGA Marvel Service Representative.

PLACE OF PURCHASE \_\_\_\_\_

DATE OF PURCHASE \_\_\_\_\_

SERIAL NUMBER \_\_\_\_\_

MODEL NUMBER \_\_\_\_\_

AGA Marvel  
1260 E. VanDeinse St.  
Greenville MI 48838

Phone: 800-223-3900  
Fax: 616-754-9690





Nous vous REMERCIONS d'avoir acheté ce produit de haute qualité. Si vous rencontrez un problème non mentionné dans la section DÉPANNAGE, veuillez visiter notre site Web [www.agamarvel.com](http://www.agamarvel.com) pour des informations supplémentaires. Si vous avez toujours besoin d'assistance, veuillez nous téléphoner au 1-800-223-3900.

## Modèle AMPROFD20

## Instructions D'Utilisation Du Réfrigérateur

### SÉCURITÉ DU RÉFRIGÉRATEUR

#### **Votre sécurité et celle des autres est très importante.**

Nous donnons de nombreux messages de sécurité importants dans ce manuel et sur votre appareil ménager. Assurez-vous de toujours lire tous les messages de sécurité et de vous y conformer.



Voici le symbole d'alerte de sécurité.

Ce symbole d'alerte de sécurité vous signale les dangers potentiels de décès et de blessures graves à vous et à d'autres.

Tous les messages de sécurité suivront le symbole d'alerte de sécurité et le mot "DANGER" ou "AVERTISSEMENT". Ces mots signifient :

 **DANGER**

**Risque possible de décès ou de blessure grave si vous ne suivez pas immédiatement les instructions.**

 **AVERTISSEMENT**

**Risque possible de décès ou de blessure grave si vous ne suivez pas les instructions.**

Tous les messages de sécurité vous diront quel est le danger potentiel et vous disent comment réduire le risque de blessure et ce qui peut se produire en cas de non-respect des instructions.

#### IMPORTANTES INSTRUCTIONS DE SÉCURITÉ

**AVERTISSEMENT :** Pour réduire les risques d'incendie, de choc électrique ou des blessures lors de l'utilisation du réfrigérateur, prendre quelques précautions fondamentales, y compris les suivantes :

- Brancher l'appareil sur une prise à 3 alvéoles reliée à la terre.
- Ne pas enlever la broche de liaison à la terre.
- Ne pas utiliser un adaptateur.
- Ne pas utiliser un câble de rallonge.
- Débrancher la source de courant électrique avant l'entretien.
- Replacer pièces et panneaux avant de faire la remise en marche.
- Enlever les portes de votre vieux réfrigérateur.
- Utiliser un produit de nettoyage ininflammable.
- Garder les matériaux et les vapeurs inflammables, telle que l'essence, loin du réfrigérateur.
- Utiliser deux ou plus de personnes pour déplacer et installer le réfrigérateur.
- Débrancher le réfrigérateur avant l'installation de la machine à glaçons (seulement pour modèles prêts à recevoir une machine à glaçons).
- Utiliser un verre robuste pour prendre des glaçons (sur certains modèles).
- Ne pas heurter les portes en verre du réfrigérateur (sur certains modèles).

CONSERVEZ CES INSTRUCTIONS

## Mise au rebut adéquate de votre vieux réfrigérateur

### AVERTISSEMENT

#### Risque de suffoquer

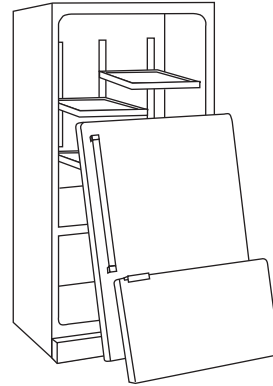
Enlever les portes de votre vieux réfrigérateur.

Le non-respect de cette instruction peut causer un décès ou des lésions cérébrales.

**IMPORTANT :** L'emprisonnement et l'étouffement des enfants ne sont pas un problème du passé. Les réfrigérateurs jetés ou abandonnés sont encore dangereux, même s'ils sont laissés abandonnés pendant "quelques jours seulement". Si vous vous débarrassez de votre vieux réfrigérateur, veuillez suivre les instructions suivantes pour aider à éviter les accidents.

Avant de jeter votre vieux réfrigérateur ou congélateur :

- Enlever les portes.
- Laisser les tablettes en place de sorte que les enfants ne puissent pas y pénétrer facilement.



### Renseignements importants à propos de la mise au rebut des fluides réfrigérants :

Mettre le réfrigérateur au rebut conformément à la réglementation fédérale et locale. Les fluides réfrigérants doivent être évacués par un technicien licencié et certifié par l'EPA conformément aux procédures établies.

## INSTRUCTIONS D'INSTALLATION

### Déballage du réfrigérateur

### AVERTISSEMENT

#### Risque du poids excessif

Utiliser deux ou plus de personnes pour déplacer et installer le réfrigérateur.

Le non-respect de cette instruction peut causer une blessure au dos ou d'autre blessure.

### Déplacement de votre réfrigérateur :

Votre réfrigérateur est lourd. Lors du déplacement de votre réfrigérateur pour le nettoyage ou un entretien ou réparation, veiller à recouvrir le plancher avec du carton ou un panneau de fibres dures pour éviter qu'il ne subisse tout dommage. Toujours tirer le réfrigérateur tout droit lors de son déplacement. Ne pas incliner le réfrigérateur d'un côté ou de l'autre ni le "faire marcher" en essayant de le déplacer car le plancher pourrait être endommagé.

### Enlèvement des matériaux d'emballage

- Enlever tout résidu de ruban adhésif et de colle des surfaces du réfrigérateur avant de le mettre en marche. Frotter une petite quantité de savon liquide pour la vaisselle sur l'adhésif avec les doigts. Rincer à l'eau tiède et essuyer.
- Ne pas utiliser d'instruments coupants, d'alcool à friction, de liquides inflammables ou de nettoyants abrasifs pour enlever le ruban adhésif ou la colle. Ces produits peuvent endommager la surface de votre réfrigérateur. Pour plus de renseignements, voir "Sécurité du réfrigérateur".
- Jeter ou recycler tous les matériaux d'emballage.

### Nettoyage avant l'utilisation

Après avoir enlevé tous les matériaux d'emballage, nettoyer l'intérieur du réfrigérateur avant de l'utiliser. Voir les instructions de nettoyage dans "Entretien du réfrigérateur".

### Importants renseignements à savoir au sujet des tablettes et des couvercles en verre :

Ne pas nettoyer les tablettes ou couvercles en verre avec de l'eau tiède quand ils sont froids. Les tablettes et les couvercles peuvent se briser s'ils sont exposés à des changements soudains de température ou à un impact tel que coup brusque. Le verre trempé est conçu pour éclater en d'innombrables pièces minuscules. Ceci est normal. Les tablettes et les couvercles en verre sont lourds. Les saisir à deux mains lors de leur dépose afin d'éviter de les faire tomber.

## Exigences d'emplacement

### AVERTISSEMENT



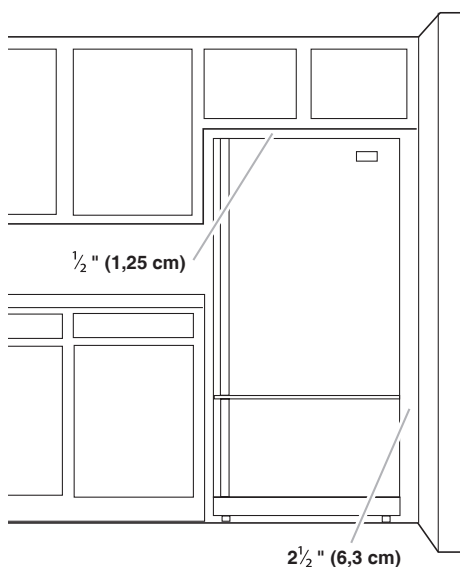
#### Risque d'explosion

**Garder les matériaux et les vapeurs inflammables, telle que l'essence, loin du réfrigérateur.**

**Le non-respect de cette instruction peut causer un décès, une explosion ou un incendie.**

Pour obtenir une aération appropriée pour votre réfrigérateur, laisser un espace de  $\frac{1}{2}$ " (1,25 cm) de chaque côté et au sommet. Laisser un espace de 1" (2,54 cm) derrière le réfrigérateur. Si votre réfrigérateur comporte une machine à glaçons, s'assurer qu'un espace additionnel est prévu à l'arrière pour permettre les raccordements des conduits d'eau. En cas d'installation du réfrigérateur près d'un mur fixe, laisser un espace minimum de  $2\frac{1}{2}$ " (6,3 cm) du côté de la charnière (certains modèles nécessitent davantage d'espace) pour permettre à la porte de s'ouvrir sans obstruction. Voir les dimensions à la page 20.

**REMARQUE :** Ce réfrigérateur est conçu pour être utilisé dans un endroit où la température est comprise entre un minimum de 55°F (13°C) et un maximum de 110°F (43°C). La plage de température ambiante idéale pour une performance optimale est comprise entre 60°F (15°C) et 90°F (32°C). Respecter cette plage de température permet aussi de réduire la consommation d'électricité et d'optimiser l'efficacité du refroidissement. Il est recommandé de ne pas installer le réfrigérateur près d'une quelconque source de chaleur, tel un four ou un radiateur.



## Spécifications électriques

### AVERTISSEMENT



#### Risque de choc électrique

**Brancher sur une prise à 3 alvéoles reliée à la terre.**

**Ne pas enlever la broche de liaison à la terre.**

**Ne pas utiliser un adaptateur.**

**Ne pas utiliser un câble de rallonge.**

**Le non-respect de ces instructions peut causer un décès, un incendie ou un choc électrique.**

Avant de placer le réfrigérateur à son emplacement final, il est important de vous assurer d'avoir la connexion électrique appropriée.

#### Méthode recommandée de mise à la terre

Une source d'alimentation de 115 volts, 60 Hz, type 15 ou 20 ampères CA seulement, protégée par fusible et adéquatement mise à la terre, est nécessaire. Il est recommandé d'utiliser un circuit distinct pour alimenter uniquement votre réfrigérateur. Utiliser une prise murale qui ne peut pas être mise hors circuit à l'aide d'un commutateur. Ne pas utiliser un câble de rallonge.

**REMARQUE :** Avant d'exécuter tout type d'installation, nettoyage ou remplacement d'une ampoule d'éclairage, tourner la commande (réglage du thermostat, du réfrigérateur ou du congélateur selon le modèle) à OFF (arrêt) et déconnecter ensuite le réfrigérateur de la source d'alimentation électrique. Lorsque vous avez terminé, reconnecter le réfrigérateur à la source d'alimentation électrique et tourner de nouveau la commande (réglage du thermostat, du réfrigérateur ou du congélateur selon le modèle) au réglage désiré. Voir "Utilisation des commandes".

## Spécifications de l'alimentation en eau

Rassembler les outils et pièces nécessaires avant de commencer l'installation. Lire et suivre les instructions fournies avec les outils indiqués ci-dessous.

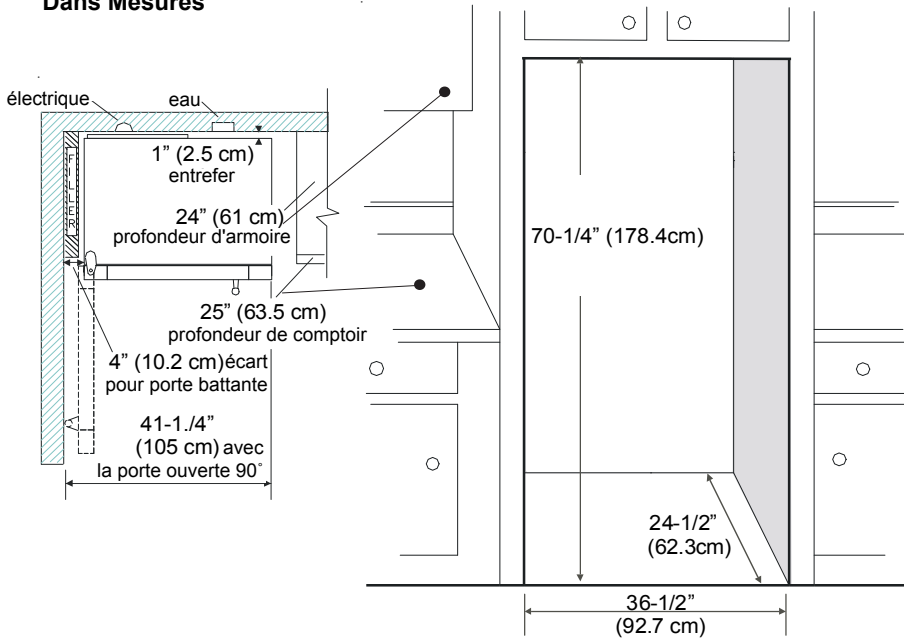
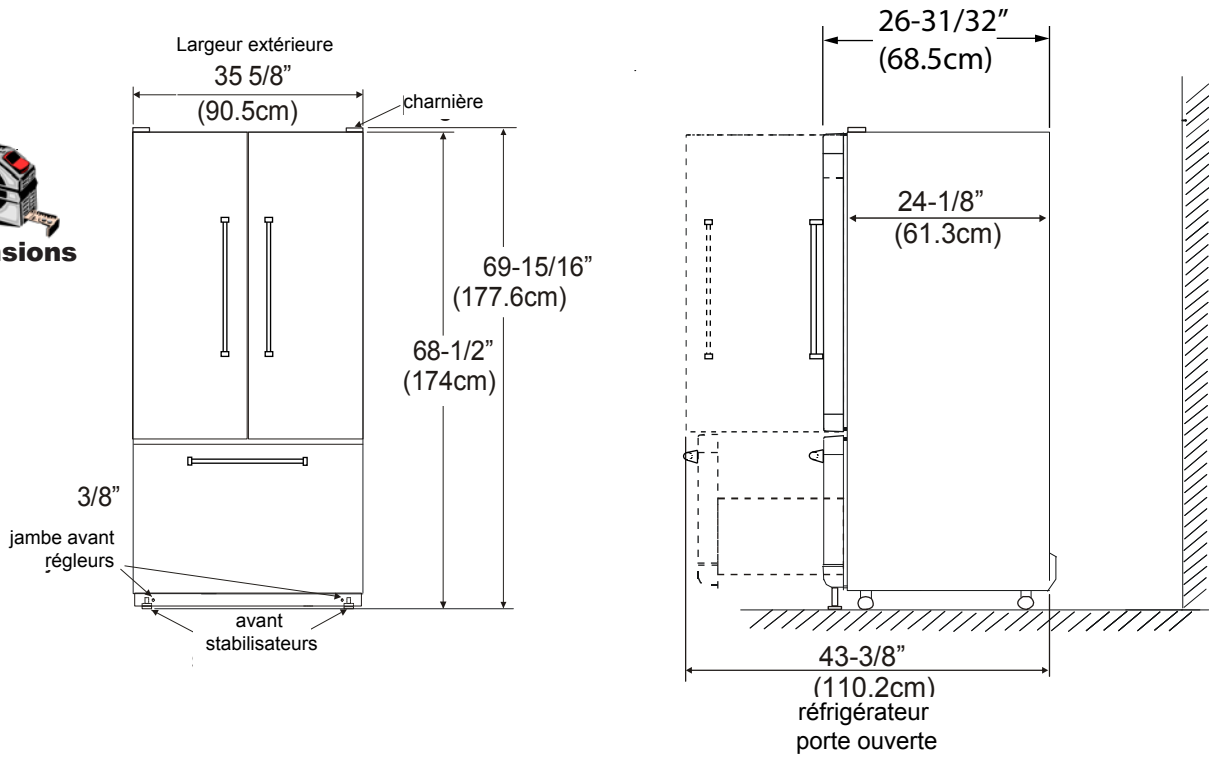
#### OUTILLAGE REQUIS :

- Tournevis à lame plate
- Clés plates de  $\frac{7}{16}$ " et  $\frac{1}{2}$ " ou deux clés à molette réglables
- Tourne-écrou de  $\frac{1}{4}$ "
- Foret de  $\frac{1}{4}$ "
- Perceuse sans fil

#### IMPORTANT :

- Toutes les installations doivent être conformes aux exigences des codes locaux de plomberie.
- Ne pas employer de robinet d'arrêt à étrier de  $\frac{3}{16}$ " (4,76 mm) ou de type à percer, ce qui réduit le débit d'eau et cause une obstruction plus facilement.
- Utiliser un tube en cuivre et vérifier l'absence de fuites. Installer les tubes en cuivre seulement à des endroits où la température se maintient au-dessus du point de congélation.
- Pour les modèles avec filtre à eau, le filtre à eau jetable doit être remplacé au moins tous les 6 mois.

# Modèle AMPROFD20



---

## Pression de l'eau

---

Une alimentation en eau froide avec une pression entre 35 et 120 lb/po<sup>2</sup> (241 et 827 kPa) est nécessaire pour faire fonctionner le distributeur d'eau et la machine à glaçons. Si vous avez des questions au sujet de la pression de votre eau, appeler un plombier qualifié agréé.

### Alimentation en eau par osmose inverse

**IMPORTANT :** La pression de l'alimentation en eau entre le système d'osmose inverse et la valve d'arrivée d'eau du réfrigérateur doit être entre 35 et 120 lb/po<sup>2</sup> (241 et 827 kPa).

Si un système de purification de l'eau par osmose inverse est raccordé à votre alimentation en eau froide, la pression de l'eau au système doit être d'un minimum de 40 à 60 lb/po<sup>2</sup> (276 à 414 kPa).

Si la pression de l'eau au système d'osmose inverse est inférieure à 40 à 60 lb/po<sup>2</sup> (276 à 414 kPa) :

- Vérifier pour voir si le filtre à sédiment du système d'osmose inverse est bloqué et le remplacer si nécessaire.
- Laisser le réservoir du système d'osmose inverse se remplir après une utilisation intense.
- Si votre réfrigérateur a un filtre à eau, celui-ci peut réduire encore plus la pression de l'eau lorsqu'il est utilisé avec un système d'osmose inverse. Retirer le filtre à eau. Voir "Système de filtration de l'eau".

Si vous avez des questions au sujet de la pression de votre eau, appelez un plombier qualifié agréé.

---

## Raccordement de la canalisation d'eau

Lire toutes les instructions avant de commencer.

**IMPORTANT :** Si l'on met en marche le réfrigérateur avant que la canalisation d'eau ne soit raccordée, éteindre la machine à glaçons pour éviter tout bruit excessif ou éviter d'endommager le robinet d'eau.

---

### Raccordement à une canalisation d'eau

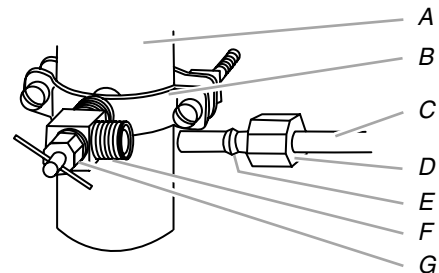
---

1. Débrancher le réfrigérateur ou déconnecter la source de courant électrique.
2. **FERMER** le robinet principal d'arrivée d'eau. **OUVRIR** le robinet de puisage le plus proche pendant une période suffisante pour que la canalisation d'eau se vide.
3. Trouver une canalisation d'eau froide verticale de 1/2" à 1 1/4" (12,7 mm à 31,8 mm) près du réfrigérateur.

**IMPORTANT :**

- S'assurer qu'il s'agit d'un conduit d'eau froide.
- Un conduit horizontal fonctionnera, mais le procédé suivant doit être suivi : percer par le dessus de la canalisation et non pas par le dessous. Ainsi, l'eau ne risquera pas d'arroser la perceuse. Ceci empêche également les sédiments qu'on trouve normalement dans l'eau de s'accumuler dans le robinet.

4. Pour déterminer la longueur du tube en cuivre, il faut mesurer la distance entre le point de connexion au bas du côté arrière droit du réfrigérateur et la canalisation. Ajouter une longueur de 7 pi (2,1 m) pour permettre le déplacement du réfrigérateur pour le nettoyage. Utiliser un tube en cuivre de 1/4" (6,35 mm) de diamètre extérieur. Veiller à ce que le tube soit coupé d'équerre aux deux extrémités.
5. À l'aide d'une perceuse sans fil, percer un trou de 1/4" dans le tuyau de canalisation d'eau froide choisie.



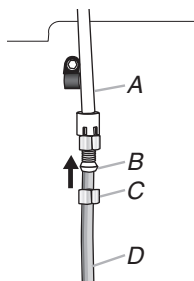
- |                              |                         |
|------------------------------|-------------------------|
| A. Canalisation d'eau froide | E. Bague de compression |
| B. Bride de tuyau            | F. Robinet d'arrêt      |
| C. Tube en cuivre            | G. Écrou de serrage     |
| D. Écrou de compression      |                         |

6. Fixer le robinet d'arrêt sur la canalisation d'eau froide avec la bride de tuyau. Vérifier que le raccord du robinet est bien engagé dans le trou de 1/4" percé dans la canalisation et que la rondelle d'étanchéité est placée sous la bride de tuyau. Serrer l'écrou de serrage. Serrer lentement et uniformément les vis de la bride de tuyau afin que la rondelle forme une jonction étanche. Ne pas serrer excessivement.
7. Enfiler l'écrou et la bague de compression du raccord sur le tube en cuivre comme on le voit sur l'illustration. Insérer l'extrémité du tube aussi loin que possible dans l'ouverture de sortie du robinet. Visser l'écrou de compression sur le raccord de sortie avec une clé à molette. Ne pas serrer excessivement car ceci pourrait provoquer l'écrasement du tube en cuivre.
8. Placer le bout libre du tube dans un contenant ou évier et **OUVRIR** le robinet principal d'arrivée d'eau et laisser l'eau s'écouler par le tube jusqu'à ce que l'eau soit limpide. **FERMER** le robinet principal d'arrivée d'eau.

## Raccordement au réfrigérateur

La conduite d'eau qui descend du haut de l'arrière du réfrigérateur. Suivez la procédure de connexion ci-dessous.

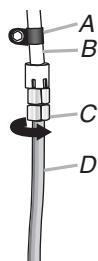
1. Créer une boucle de service (diamètre minimum de 2 pi [61 cm]) avec le tube de cuivre. Éviter les déformations en pliant le tube de cuivre.
2. Retirer le capuchon de plastique de l'orifice du robinet d'arrivée d'eau. Placer un écrou et une bague de compression sur le tube de cuivre.
3. Insérer l'extrémité du tube de cuivre dans l'orifice d'arrivée d'eau. Ajuster légèrement le tube de cuivre de façon à ce qu'il s'adapte parfaitement à l'orifice d'arrivée d'eau pour éviter les déformations.
4. Faire glisser l'écrou de compression sur la bague et serrer pour le fixer sur l'orifice d'arrivée d'eau.



A. Tube en plastique pour canalisation d'eau  
B. Bague

C. Écrou de compression  
D. Tube de cuivre

5. À l'aide d'une clé à molette, fixer l'écrou sur la canalisation d'eau pour l'empêcher de se déplacer. Ensuite, à l'aide d'une deuxième clé, tourner l'écrou sur le tube de cuivre dans le sens antihoraire pour serrer complètement. Ne pas serrer excessivement.



A. Bride en "P"  
B. Canalisation d'eau en plastique

C. Écrou de compression  
D. Tube de cuivre

6. Vérifier la solidité du raccordement en tirant sur le tube de cuivre. Fixer la canalisation d'eau en plastique à la caisse du réfrigérateur à l'aide d'une bride en "P".
7. Ouvrir la canalisation d'eau du réfrigérateur et inspecter s'il y a des fuites. Corriger toute fuite.

## Achever l'installation

### ⚠ AVERTISSEMENT



#### Risque de choc électrique

**Brancher sur une prise à 3 alvéoles reliée à la terre.**

**Ne pas enlever la broche de liaison à la terre.**

**Ne pas utiliser un adaptateur.**

**Ne pas utiliser un câble de rallonge.**

**Le non-respect de ces instructions peut causer un décès, un incendie ou un choc électrique.**

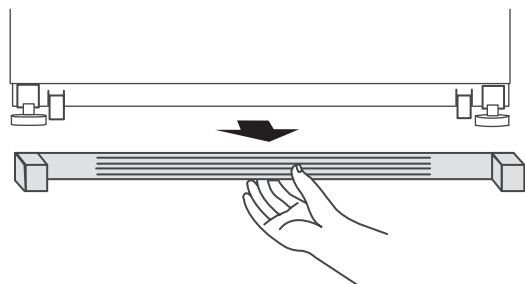
1. Brancher sur une prise à 3 alvéoles reliée à la terre.

REMARQUE : Prévoir un délai de 24 heures pour la production du premier lot de glaçons. Jeter les trois premiers lots de glaçons produits. Prévoir un délai de 3 jours pour le remplissage complet du récipient à glaçons.

## Fermeture et alignement de la porte

La grille de la base recouvre les vis de nivellement et les roulettes situées sous la caisse du réfrigérateur, sous la porte ou le tiroir du compartiment de congélation. Avant de réaliser les ajustements, retirer la grille de la base et déplacer le réfrigérateur à son emplacement définitif.

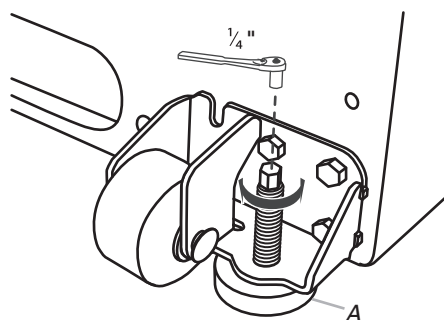
1. Retirer la grille de la base. Saisir la grille fermement et la tirer vers soi.



2. Déplacer le réfrigérateur jusqu'à sa position de service finale.  
REMARQUE : Afin que le réfrigérateur puisse rouler plus facilement, soulever les pieds de nivellement en tournant les vis de nivellement dans le sens antihoraire. Les roulettes avant toucheront le plancher.

3. Afin que les portes ferment plus facilement, utiliser un tourne-écrou à tête hexagonale de  $\frac{1}{4}$ " pour tourner les vis de nivellement dans le sens horaire. Ce réglage soulèvera légèrement l'avant du réfrigérateur et l'inclinera ainsi légèrement sur sa partie arrière. Régler les deux vis de nivellement à la même hauteur.

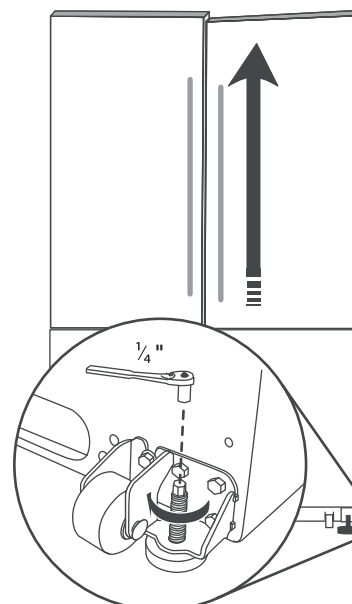
REMARQUE : Le fait d'exercer une pression sur le dessus du réfrigérateur permet d'alléger le poids appliqué aux vis de nivellement. Ceci facilite le réglage des vis.



A. Vis de nivellement

4. Ouvrir et fermer les portes pour vérifier que leur fermeture est aussi aisée que vous le souhaitez. Si ce n'est pas le cas, augmenter l'inclinaison du réfrigérateur en tournant les deux vis de nivellement dans le sens horaire. Il est possible qu'il faille appliquer plusieurs tours aux vis de nivellement pour faciliter la fermeture des portes.
5. Vérifier l'alignement de la porte. Si une porte est plus basse que l'autre, ajuster la vis de nivellement du côté du réfrigérateur le plus bas. À l'aide d'un tourne-écrou à tête hexagonale de  $\frac{1}{4}$ ", tourner la vis de nivellement dans le sens horaire afin d'élever ce côté du réfrigérateur, jusqu'à ce que les portes soient alignées. Il faudra peut-être appliquer plusieurs tours à la vis de nivellement pour soulever le réfrigérateur.

REMARQUE : Le fait d'exercer une pression sur le dessus du réfrigérateur permet d'alléger le poids appliqué aux vis de nivellement. Ceci facilite le réglage des vis.



6. S'assurer que le réfrigérateur est stable. Si le réfrigérateur semble instable ou qu'il roule vers l'avant lorsqu'on ouvre la porte ou le tiroir, ajuster les vis de nivellement. À l'aide d'un tourne-écrou à tête hexagonale de  $\frac{1}{4}$ ", tourner les vis de nivellement dans le sens horaire de chaque côté jusqu'à ce que les pieds de nivellement soient en contact ferme avec le plancher.

REMARQUE : Le fait d'exercer une pression sur le dessus du réfrigérateur permet d'alléger le poids appliqué aux vis de nivellement. Ceci facilite le réglage des vis.

7. Réinstaller la grille de la base en alignant les extrémités de la grille avec les dispositifs de nivellement de chaque côté et emboîter la grille.

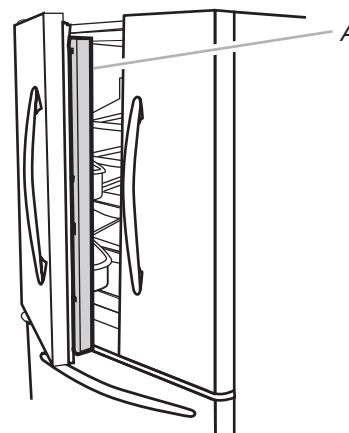
## UTILISATION DU RÉFRIGÉRATEUR

### Ouverture et fermeture des portes

Il y a deux portes pour le compartiment de réfrigération. Les portes peuvent être ouvertes et fermées séparément ou ensemble.

Il y a sur la porte de gauche du réfrigérateur un joint à charnière verticale.

- Lors de l'ouverture de la porte du côté gauche, le joint à charnière se replie automatiquement pour qu'il n'y ait pas d'interférence.
- Lorsque les deux portes sont fermées, le joint à charnière assure automatiquement l'étanchéité entre les deux portes.



A. Joint à charnière

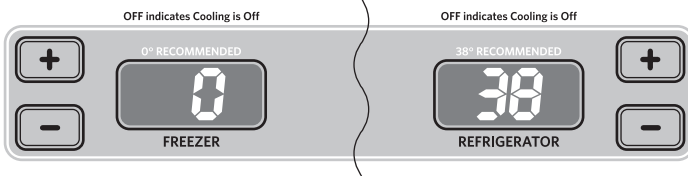
## Utilisation des commandes

Le centre de commande est situé dans la partie supérieure avant du compartiment de réfrigération.

### Commandes de température

Pour votre commodité, les commandes de température sont pré-réglées à l'usine. Lors de l'installation initiale du réfrigérateur, s'assurer que les commandes sont encore pré-réglées aux points de réglage recommandés tel qu'illustré.

#### Réglages recommandés



#### IMPORTANT :

- Les réglages recommandés devraient convenir à un usage domestique normal. Les commandes sont réglées correctement lorsque le lait ou le jus est aussi froid que vous l'aimez et lorsque la crème glacée est ferme.
  - Lorsque l'appareil est sous tension, l'affichage de la température indique la valeur de réglage de température du compartiment.
  - Attendre 24 heures que le réfrigérateur se refroidisse avant de placer des aliments dans le réfrigérateur. Si vous ajoutez des aliments avant que le réfrigérateur ait complètement refroidi, vos aliments peuvent être abîmés.
- REMARQUE : Tourner les commandes du réfrigérateur et du congélateur à un réglage plus élevé (plus froid) que le réglage recommandé ne refroidira pas les compartiments plus vite.
- Si la température est trop élevée ou trop basse dans les compartiments de réfrigération ou de congélation, vérifier d'abord les ouvertures d'aération pour s'assurer qu'elles ne sont pas bloquées avant d'ajuster les commandes.

#### Désactivation/activation du réfrigérateur :

- Appuyer à plusieurs reprises sur la touche (+) du congélateur jusqu'à l'apparition de "OFF" sur l'affichage du congélateur. Le réfrigérateur s'arrêtera au bout de quelques secondes. Aucun compartiment ne refroidira.
- Appuyer sur la touche (-) du réfrigérateur ou du congélateur pour mettre le réfrigérateur en marche.

### Ajustement des réglages de commande

La commande du RÉFRIGÉRATEUR règle la température du compartiment de réfrigération. La commande du CONGÉLATEUR règle la température du compartiment de congélation.

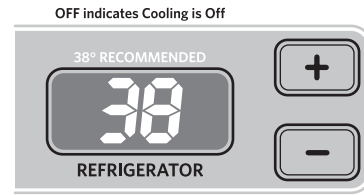
S'il est nécessaire d'ajuster la température dans le compartiment de réfrigération ou de congélation, utiliser les réglages indiqués dans le tableau ci-dessous comme guide.

#### Pour ajuster les réglages de température :

Lorsqu'on appuie une première fois sur la touche (+) ou (-), le point de réglage actuel de la température s'affiche.

- Appuyer sur les touches (+) ou (-) jusqu'à l'affichage du point de réglage désiré de la température.

REMARQUE : Ne pas ajuster les commandes de température de plus d'un cran à la fois, sauf lors de la mise en marche initiale du réfrigérateur. Attendre 24 heures entre les ajustements pour que la température puisse se stabiliser.



CONDITION/RAISON :	AJUSTEMENT :
RÉFRIGÉRATEUR trop tiède	Tourner le réglage du RÉFRIGÉRATEUR 1° plus bas
CONGÉLATEUR trop tiède/ trop peu de glaçons	Tourner le réglage du CONGÉLATEUR 1° plus bas
RÉFRIGÉRATEUR trop froid	Tourner le réglage du RÉFRIGÉRATEUR 1° plus haut
CONGÉLATEUR trop froid	Tourner le réglage du CONGÉLATEUR 1° plus haut

### Autres caractéristiques du centre de commande

#### Max Ice (production de glaçons maximum)

La caractéristique Max Ice augmente la production de glaçons, ce qui est utile en période d'utilisation intense de glaçons.

- Appuyer sur la touche Max Ice pour régler le congélateur au réglage de température le plus bas. Appuyer à nouveau sur la touche Max Ice pour revenir au point de réglage normal du congélateur.

REMARQUE : La caractéristique Max Ice s'éteindra automatiquement au bout de 24 heures environ.



#### Humidity Control (contrôle de l'humidité)

La caractéristique Humidity Control déclenche la mise en marche d'un élément chauffant, qui aide à réduire l'humidité sur le joint de charnière de la porte. À utiliser dans des environnements humides ou en cas d'humidité sur le joint de charnière de la porte. Le réfrigérateur consomme plus d'énergie lors de l'activation de cette caractéristique.

- Appuyer sur la touche Humidity Control lorsque l'environnement est chaud et plus humide, ou si vous notez de l'humidité sur le joint de charnière de la porte. Le témoin lumineux s'allumera lors de l'activation de cette caractéristique.
- Appuyer sur la touche Humidity Control pour économiser de l'énergie lorsque l'environnement est moins humide.





### Temp Alarm (alarme de dépassement de température)

La caractéristique Temp Alarm (alarme de dépassement de température) fournit des renseignements sur la température en cas de panne de courant.

Panne de courant : Au cours d'une panne de courant, si les températures dans les compartiments de réfrigération et de congélation excèdent les températures de fonctionnement normales, la plus haute température atteinte sera affichée.

- Pour activer cette caractéristique, appuyer sur la touche Temp Alarm jusqu'à ce que le témoin lumineux s'allume. Pour désactiver cette caractéristique, appuyer sur Temp Alarm pendant 3 secondes jusqu'à ce que le témoin lumineux s'éteigne.

Alarme de dépassement de température : Un signal d'alarme sera émis à plusieurs reprises si les températures dans les compartiments de réfrigération ou de congélation excèdent les températures de fonctionnement normales pendant une heure ou plus.

L'affichage indique alternativement les températures actuelles et les températures les plus élevées atteintes dans les compartiments.

- Appuyer une fois sur la touche Temp Alarm pour arrêter le signal sonore et l'alternance d'affichage des températures. Le témoin Temp Alarm continue de clignoter jusqu'à ce que le réfrigérateur revienne à la température réglée.



### Door Alarm (alarme de la porte)

La caractéristique Door Alarm fait retentir une sonnerie toutes les quelques secondes lorsque la porte du réfrigérateur a été laissée ouverte continuellement pendant 5 minutes. La sonnerie retentira jusqu'à ce que la porte soit fermée ou que la caractéristique Door Alarm soit désactivée.

- Appuyer sur la touche Door Alarm pour activer ou désactiver cette caractéristique. Le témoin lumineux est allumé lorsque la caractéristique Door Alarm est activée.



### Max Cool (refroidissement maximum)

La caractéristique Max Cool est utile lors de périodes d'utilisation intense du réfrigérateur, de l'addition d'un grand nombre d'aliments ou de l'élévation temporaire de la température de la pièce.

- Appuyer sur la touche Max Cool pour régler le congélateur et le réfrigérateur aux réglages de température les plus bas. Appuyer à nouveau sur la touche Max Cool pour revenir au point de réglage normal du réfrigérateur.

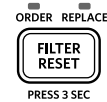
REMARQUE : La caractéristique Max Cool s'éteindra automatiquement au bout de 12 heures environ.



### Filter Reset (réinitialisation du filtre)

La commande Filter Reset permet de réactiver la fonction de suivi du statut du filtre à eau à chaque fois que vous remplacez le filtre à eau. Voir "Système de filtration de l'eau".

- Appuyer sur la touche Filter Reset pendant 3 secondes, jusqu'à ce que le témoin lumineux Order (commander) ou Replace (remplacer) s'éteigne.



## Préférences de l'utilisateur

Le centre de commande vous permet de régler les préférences de l'utilisateur si désiré.

### Affichage de la température (F\_C)

Cette préférence vous permet de modifier l'affichage de la température.

F - Température en degrés Fahrenheit

C - Température en degrés Celsius

### Alarme (AL)

Cette préférence vous permet de désactiver le son de toutes les alarmes.

ON (marche) – Le son de l'alarme sera audible.

OFF (arrêt) – Le son de l'alarme ne sera pas audible.

### Mode Sabbath (SAB)

IMPORTANT : Cette préférence ne désactive pas les lampes internes.

ON (marche) – Toutes les lampes du panneau de commande sont désactivées.

OFF (arrêt) – Toutes les lampes du panneau de commande sont activées.

REMARQUE : Appuyer sur n'importe quelle touche du panneau de commande pour réactiver les lampes du panneau de commande.

Pour accéder au menu des préférences de l'utilisateur :

1. Appuyer sur la touche Door Alarm (alarme de la porte) pendant 3 secondes. Le nom de la préférence apparaît sur l'affichage du congélateur et le statut de la préférence (F/C) ou (ON/OFF) apparaît sur l'affichage du réfrigérateur.
2. Utiliser les touches (+) ou (-) du congélateur pour faire défiler les noms de préférence. Lorsque le nom de la préférence désirée s'affiche, appuyer sur les touches tactiles (+) ou (-) du réfrigérateur pour modifier le statut de la préférence.
3. Enregistrer les préférences en appuyant sur la touche Door Alarm pendant 3 secondes ou en fermant la porte du compartiment de réfrigération.

## Réglage de l'humidité dans le bac à légumes

On peut contrôler le degré d'humidité dans le bac à légumes étanche. Selon le modèle, on peut appliquer les réglages suivants : FRUIT (fruits) et VEGETABLES (légumes) ou LOW (faible) et HIGH (élevé).

FRUIT (fruits)/LOW (bas) [ouvert] pour une meilleure conservation des fruits et légumes à peaux.

VEGETABLES (légumes)/HIGH (élevé) [fermé] pour une meilleure conservation des légumes à feuilles frais.

## Machine à glaçons

(sur certains modèles)

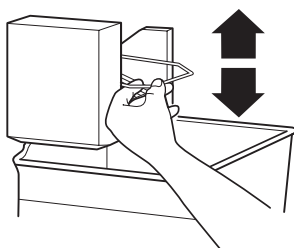
**IMPORTANT :** Vidanger le système d'approvisionnement en eau avant de mettre en marche la machine à glaçons. Voir "Distributeur d'eau".

### Mise en marche/arrêt de la machine à glaçons

Pour mettre la machine à glaçons en MARCHÉ, il suffit d'abaisser le bras de commande en broche.

Pour ARRÊTER manuellement la machine à glaçons, soulever le bras de commande en broche à la position OFF (élevée) et attendre le clic.

**REMARQUE :** Votre machine à glaçons a un arrêt automatique. Au fur et à mesure de la fabrication de la glace, les glaçons remplissent le bac d'entreposage de glaçons. Les glaçons soulèvent le bras de commande en broche à la position OFF (élevée). Ne pas forcer le bras de commande en broche vers le haut ou vers le bas.



**REMARQUE :** Éteindre la machine à glaçons avant de retirer le bac d'entreposage pour servir des glaçons ou pour nettoyer le bac. Ceci empêchera les glaçons de tomber de la machine à glaçons et dans le compartiment de congélation. Après avoir remplacé le bac d'entreposage, mettre en marche la machine à glaçons.

### Taux de production des glaçons

- La machine à glaçons devrait produire une quantité de glaçons complète environ toutes les 3 heures.
- Pour augmenter la production de glaçons, diminuer la température du congélateur et du réfrigérateur. Voir "Utilisation des commandes". Attendre 24 heures entre les ajustements.

### À noter

- Prévoir un délai de 24 heures pour la production du premier lot de glaçons. Prévoir un délai de 3 jours pour le remplissage complet du bac d'entreposage. Jeter les trois premiers lots de glaçons produits.
- La qualité de vos glaçons dépend de la qualité de l'eau fournie à votre machine à glaçons. Éviter de brancher la machine à glaçons à un approvisionnement d'eau adoucie. Les produits chimiques adoucisseurs d'eau (tels que le sel) peuvent endommager des pièces de la machine à glaçons et causer une piètre qualité des glaçons. Si une alimentation d'eau adoucie ne peut pas être évitée, s'assurer que l'adoucisseur d'eau fonctionne bien et qu'il est bien entretenu.
- Ne pas garder quoi que ce soit sur le dessus de la machine à glaçons ou dans le bac à glaçons.

## Distributeur d'eau

(sur certains modèles)

**IMPORTANT :**

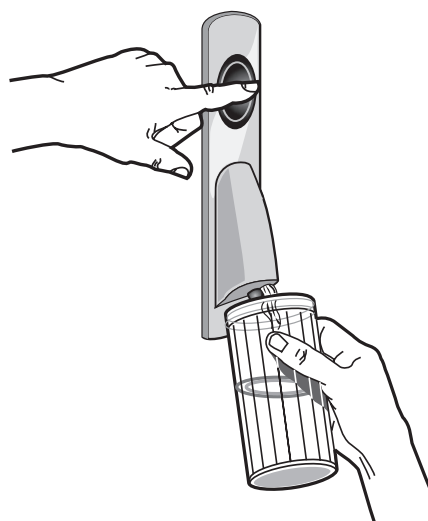
- Après avoir raccordé le réfrigérateur à une source d'alimentation en eau ou remplacé le filtre à eau, vidanger le circuit d'eau. Utiliser un récipient robuste pour appuyer sur le levier du distributeur d'eau pendant 5 secondes, puis relâcher le levier pendant 5 secondes. Répéter l'opération jusqu'à ce que l'eau commence à couler. Une fois que l'eau commence à couler, continuer d'appuyer puis de relâcher le levier du distributeur (appui pendant 5 secondes, relâchement pendant 5 secondes) jusqu'à ce qu'un total de 4 gal. (15 L) soit distribué. Ceci évacue l'air du filtre et du système de distribution d'eau et prépare le filtre à eau pour utilisation. Une vidange supplémentaire peut être nécessaire dans certains domiciles. Pendant l'évacuation de l'air du système, de l'eau peut gicler du distributeur.

**REMARQUE :** Après cinq minutes de distribution d'eau continue, le distributeur cessera la distribution afin d'éviter une inondation. Pour poursuivre la distribution, appuyer de nouveau sur le bouton du distributeur.

- Accorder 24 heures pour que le réfrigérateur se refroidisse et rafraîchisse l'eau. Puiser une quantité suffisante d'eau chaque semaine pour maintenir un approvisionnement frais.

### Distribution d'eau

1. Tenir un récipient sous le distributeur tout en appuyant sur le bouton.
2. Relâcher le bouton pour arrêter la distribution.



## Système de filtration de l'eau

Le filtre à eau se situe dans le coin supérieur droit du compartiment de réfrigération.

Ne pas utiliser pour le filtrage d'une eau microbiologiquement polluée ou de qualité inconnue en l'absence d'un dispositif de désinfection adéquat avant ou après le système. Les systèmes certifiés pour la réduction de kyste peuvent être utilisés pour l'eau désinfectée qui peut contenir des kystes filtrables.

### Témoins lumineux de l'état du filtre à eau

Les témoins lumineux de l'état du filtre à eau vous aideront à savoir quand changer le filtre à eau. Lorsque le témoin Order (commander) est allumé, il est pratiquement temps de changer le filtre à eau. Lorsque le témoin Replace (remplacer) est allumé, un nouveau filtre à eau doit être installé.

Après avoir remplacé le filtre à eau, appuyer pendant trois secondes sur la touche FILTER RESET (réinitialisation du filtre) jusqu'à ce que le témoin lumineux Order (commander) ou Replace (remplacer) s'allume. Voir "Utilisation des commandes".

**IMPORTANT :** Le filtre à eau jetable doit être remplacé au moins tous les 6 mois. Si le débit d'eau au distributeur d'eau ou à la machine à glaçons diminue de façon marquée avant que 6 mois ne se soient écoulés, remplacer le filtre à eau plus souvent.

### Remplacement du filtre à eau

Pour acheter un filtre à eau de rechange, modèle 31104 contactez votre revendeur ou composez le 1-800-223-3900.

**IMPORTANT :** L'air emprisonné dans le circuit d'eau peut provoquer une expulsion de l'eau et du filtre. Toujours faire couler l'eau pendant 2 minutes avant de retirer le filtre ou le bouchon de dérivation bleu.

1. Tourner le filtre dans le sens antihoraire pour le retirer.
2. Retirer l'étiquette de scellement du filtre de rechange et insérer l'extrémité du filtre dans la tête du filtre.
3. Tourner le filtre dans le sens horaire jusqu'à la butée. Emboîter le couvercle du filtre pour fermer.
4. Purger le circuit d'eau. Voir "Distributeur d'eau" ou "Distributeur d'eau et de glaçons".

**REMARQUE :** Le distributeur peut être utilisé sans installer de filtre à eau. L'eau ne sera pas filtrée. Si l'on choisit cette option, remplacer le filtre par un bouchon de dérivation bleu.

## ENTRETIEN DU RÉFRIGÉRATEUR

### Nettoyage

#### AVERTISSEMENT



#### Risque d'explosion

**Utiliser un produit de nettoyage ininflammable.**

**Le non-respect de cette instruction peut causer un décès, une explosion ou un incendie.**

Les sections de réfrigération et de congélation se dégivrent automatiquement. Toutefois, nettoyer les deux sections environ une fois par mois pour éviter une accumulation d'odeurs. Essuyer les renversements immédiatement.

**IMPORTANT :** Comme l'air circule entre les deux sections, toutes les odeurs formées dans une section seront transférées à l'autre. Vous devez nettoyer à fond les deux sections pour éliminer les odeurs. Pour éviter le transfert d'odeurs et l'assèchement des aliments, envelopper ou recouvrir hermétiquement les aliments.

**Nettoyage de votre réfrigérateur :**

**REMARQUE :** Ne pas utiliser des nettoyants abrasifs ou puissants tels que les nettoyants à vitre en atomiseurs, nettoyants à récurer, liquides inflammables, cires nettoyantes, détergents concentrés, agents de blanchiment ou nettoyants contenant du pétrole sur les pièces en plastique, les garnitures intérieures et de portes ou les joints de portes. Ne pas utiliser d'essuie-tout, tampons à récurer ou autres outils de nettoyage abrasifs.

1. Débrancher le réfrigérateur ou déconnecter la source de courant électrique.
2. Laver à la main, rincer et sécher les pièces amovibles et les surfaces internes à fond. Utiliser une éponge propre ou un linge doux et un détergent doux dans de l'eau tiède.
3. Laver les surfaces extérieures en acier inoxydable ou en métal peint avec une éponge propre ou un linge doux et un détergent doux dans de l'eau tiède.
  - Pour que votre réfrigérateur en acier inoxydable conserve son aspect neuf et pour enlever les petites égratignures ou marques, il est suggéré d'utiliser le nettoyant et poli pour acier inoxydable.

**IMPORTANT :** Ce nettoyant doit être utilisé sur les pièces en acier inoxydable uniquement!

Veiller à ce que le nettoyant et poli pour acier inoxydable n'entre pas en contact avec les pièces de plastique telles que garnitures, couvercles de distributeurs ou joints de porte. En cas de contact non intentionnel, nettoyer la pièce de plastique avec une éponge et un détergent doux dans de l'eau tiède. Sécher parfaitement avec un linge doux.

4. Le condenseur n'a pas besoin d'être nettoyé souvent dans des conditions de fonctionnement normales. Si l'environnement est particulièrement gras, poussiéreux, ou s'il y a des animaux domestiques dans la maison, le condenseur devrait être nettoyé tous les deux ou trois mois pour assurer une efficacité maximum.

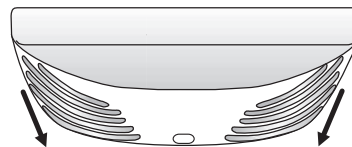
Si vous avez besoin de nettoyer le condenseur :

- Retirer la grille de la base.
  - Utiliser un aspirateur à brosse douce pour nettoyer la grille, les endroits ouverts derrière la grille et la surface à l'avant du condenseur.
  - Replacer la grille de la base lorsqu'on a terminé.
5. Brancher le réfrigérateur ou reconnecter la source de courant électrique.

## Remplacement de l'ampoule d'éclairage

REMARQUE : Toutes les lampes pour appareils ménagers ne sont pas compatibles avec ce réfrigérateur. Veiller à remplacer la lampe par une lampe pour appareil ménager de même taille/forme/puissance (pas plus de 40 W).

1. Débrancher le réfrigérateur ou déconnecter la source de courant électrique.
2. Ôter le protège-ampoule (sur certains modèles).
  - Sommet du compartiment de réfrigération - Faire glisser le protège-ampoule vers l'arrière du compartiment pour le libérer de l'ensemble d'éclairage.



3. Remplacer la ou les ampoule(s) grillée(s) par une ampoule électrique pour appareil ménager n'excédant pas 40 watts.
4. Réinstaller le protège-ampoule.
5. Brancher le réfrigérateur ou reconnecter la source de courant électrique.

# DÉPANNAGE

## Fonctionnement du réfrigérateur

Le réfrigérateur ne fonctionne pas

### ⚠ AVERTISSEMENT



#### Risque de choc électrique

**Brancher sur une prise à 3 alvéoles reliée à la terre.**

**Ne pas enlever la broche de liaison à la terre.**

**Ne pas utiliser un adaptateur.**

**Ne pas utiliser un câble de rallonge.**

**Le non-respect de ces instructions peut causer un décès, un incendie ou un choc électrique.**

- Le cordon d'alimentation électrique est-il débranché? Brancher sur une prise à 3 alvéoles reliée à la terre.
- La prise électrique fonctionne-t-elle? Brancher une lampe pour voir si la prise fonctionne.
- Un fusible est-il grillé ou un disjoncteur s'est-il déclenché? Remplacer le fusible ou réarmer le disjoncteur. Si le problème persiste, appeler un électricien.

- Les commandes sont-elles en marche? S'assurer que les commandes du réfrigérateur sont en marche. Voir "Utilisation de la(des) commande(s)".
- S'agit-il d'une nouvelle installation? Accorder 24 heures après l'installation pour que le réfrigérateur se refroidisse complètement.

REMARQUE : Mettre les commandes de la température sur la position la plus froide ne refroidira aucun des compartiments plus rapidement.

### Le moteur semble trop tourner

Il se peut que votre nouveau réfrigérateur fonctionne plus longtemps que l'ancien grâce à son compresseur à haute efficacité et ses ventilateurs. L'appareil peut fonctionner plus longtemps encore si la température de la pièce est chaude, si une importante quantité de nourriture y est ajoutée, si les portes sont fréquemment ouvertes ou si elles ont été laissées ouvertes.

### Le réfrigérateur semble bruyant

Le bruit des réfrigérateurs a été réduit au cours des années. Du fait de cette réduction, il est possible d'entendre des bruits intermittents venant de votre nouveau réfrigérateur qui n'avaient pas été décelés avec votre ancien modèle. Voici une liste des sons normaux accompagnés d'explications.

- Bourdonnement - entendu lorsque le robinet d'arrivée d'eau s'ouvre pour remplir la machine à glaçons
- Pulsation - les ventilateurs/le compresseur se règlent afin d'optimiser la performance

- Sifflement/cliquetis - écoulement de liquide réfrigérant, mouvement des conduites d'eau ou d'objets posés sur le dessus du réfrigérateur
- Grésillement/gargouillement - de l'eau tombe sur l'élément de chauffage durant le programme de dégivrage
- Bruit d'éclatement - contraction/expansion des parois internes, particulièrement lors du refroidissement initial
- Bruit d'écoulement d'eau - peut être entendu lorsque la glace fond lors du programme de dégivrage et que l'eau s'écoule dans le plateau de dégivrage
- Grincement/craquement - se produit lorsque la glace est éjectée du moule à glaçons.

#### Les portes ne ferment pas complètement

- La porte est-elle bloquée en position ouverte? Déplacer les emballages d'aliments pour libérer la porte.
- Un compartiment ou une tablette bloque-t-il/elle le passage? Replacer le compartiment ou la tablette en position correcte.

#### Les portes sont difficiles à ouvrir

### AVERTISSEMENT



#### Risque d'explosion

**Utiliser un produit de nettoyage ininflammable.**

**Le non-respect de cette instruction peut causer un décès, une explosion ou un incendie.**

- Les joints d'étanchéité sont-ils sales ou collants? Nettoyer les joints et les surfaces de contact au savon doux et à l'eau tiède. Rincer et sécher avec un linge doux.

## Température et humidité

### La température est trop élevée

- S'agit-il d'une nouvelle installation? Accorder 24 heures après l'installation pour que le réfrigérateur se refroidisse complètement.
- La/Les porte(s) est/sont-elle(s) fréquemment ouverte(s) ou laissée(s) ouverte(s)? Ceci permet à l'air chaud de pénétrer dans le réfrigérateur. Minimiser les ouvertures de porte et garder les portes complètement fermées.
- Une importante quantité d'aliments a-t-elle été ajoutée? Accorder quelques heures pour que le réfrigérateur revienne à sa température normale.
- Les commandes sont-elles correctement réglées pour les conditions existantes? Ajuster les commandes un cran plus froid. Vérifier la température au bout de 24 heures. Voir "Utilisation de la(des) commande(s)".

### Il y a une accumulation d'humidité à l'intérieur

REMARQUE : Une certaine accumulation d'humidité est normale.

- La pièce est-elle humide? Ceci contribue à l'accumulation de l'humidité.
- La/Les porte(s) est/sont-elle(s) fréquemment ouverte(s) ou laissée(s) ouverte(s)? Ceci permet à l'air humide de pénétrer dans le réfrigérateur. Minimiser les ouvertures de porte et garder les portes complètement fermées.

## Glaçons et eau

### La machine à glaçons ne produit pas ou pas suffisamment de glaçons

- Le réfrigérateur est-il connecté à l'alimentation en eau et le robinet d'arrêt d'eau est-il ouvert? Brancher le réfrigérateur à l'alimentation en eau et ouvrir le robinet d'arrêt d'eau complètement.
- La canalisation de la source d'eau du domicile comporte-t-elle une déformation? Une déformation dans la canalisation peut réduire l'écoulement d'eau. Redresser la canalisation d'eau.
- La machine à glaçons est-elle allumée? S'assurer que le bras de commande en broche ou l'interrupteur (selon le modèle) est en position ON (marche).
- S'agit-il d'une nouvelle installation? Attendre 24 heures après l'installation pour le commencement de la production de glaçons. Attendre 72 heures pour la production complète de glaçons.
- La porte du congélateur est-elle complètement fermée? Bien fermer la porte du compartiment de congélation. Si la porte du compartiment de congélation ne ferme pas complètement, voir "Les portes ne ferment pas complètement" précédemment dans cette section.

- Une grande quantité de glaçons vient-elle d'être enlevée? Attendre 24 heures pour que la machine à glaçons produise plus de glaçons.
- Un glaçon est-il coincé dans le bras éjecteur? Enlever le glaçon du bras éjecteur avec un ustensile en plastique.
- Un filtre à eau est-il installé sur le réfrigérateur? Enlever le filtre et faire fonctionner la machine à glaçons. Si le volume de glace augmente, le filtre est probablement obstrué ou mal installé. Remplacer le filtre ou le réinstaller correctement.
- Un système de filtration de l'eau à osmose inverse est-il connecté à votre canalisation d'eau froide? Ceci peut diminuer la pression de l'eau. Voir "Spécifications de l'alimentation en eau".

---

### Les glaçons sont creux ou petits

---

REMARQUE : Cela indique une faible pression de l'eau.

- La valve de la canalisation d'eau est-elle complètement ouverte? Ouvrir la valve d'eau complètement.
- La canalisation de la source d'eau du domicile comporte-t-elle une déformation? Une déformation dans la canalisation peut réduire l'écoulement d'eau. Redresser la canalisation d'eau.
- Un filtre à eau est-il installé sur le réfrigérateur? Enlever le filtre et faire fonctionner la machine à glaçons. Si la qualité des glaçons augmente, le filtre est probablement obstrué ou mal installé. Remplacer le filtre ou le réinstaller correctement.
- Un système de filtration de l'eau à osmose inverse est-il connecté à votre canalisation d'eau froide? Ceci peut diminuer la pression de l'eau. Voir "Spécifications de l'alimentation en eau".
- Reste-t-il des questions concernant la pression de l'eau? Appeler un plombier agréé et qualifié.

---

### Mauvais goût, odeur ou couleur grise des glaçons

---

- Les raccords de plomberie sont-ils neufs? Des raccords de plomberie neufs peuvent causer une décoloration et un mauvais goût des glaçons.
- Les glaçons ont-ils été gardés trop longtemps? Jeter les glaçons. Laver le compartiment à glaçons. Accorder 24 heures pour la fabrication de nouveaux glaçons.
- Y a-t-il un transfert d'odeurs de nourriture? Utiliser des emballages étanches à l'air et à l'humidité pour conserver les aliments.
- L'eau contient-elle des minéraux (tels que le soufre)? L'installation d'un filtre peut être requise afin d'enlever les minéraux.
- Un filtre à eau est-il installé sur le réfrigérateur? Une décoloration grise ou foncée de la glace indique que le système de filtration de l'eau a besoin d'un rinçage additionnel. Rincer le système de filtration d'eau avant d'utiliser un nouveau filtre. Remplacer le filtre à eau à la date indiquée. Voir "Système de filtration de l'eau".

---

### Le distributeur d'eau ne fonctionne pas correctement

---

- Le réfrigérateur est-il connecté à l'alimentation en eau et le robinet d'arrêt d'eau est-il ouvert? Brancher le réfrigérateur à l'alimentation en eau et ouvrir le robinet d'arrêt d'eau complètement.
- La canalisation de la source d'eau du domicile comporte-t-elle une déformation? Redresser la canalisation d'eau.
- S'agit-il d'une nouvelle installation? Rincer et remplir le système de distribution d'eau. Voir "Distributeur d'eau".
- La pression de l'eau est-elle d'au moins 35 lb/po<sup>2</sup> (241 kPa)? La pression de l'eau du domicile détermine l'écoulement d'eau du distributeur. Voir "Spécifications de l'alimentation en eau".
- Un filtre à eau est-il installé sur le réfrigérateur? Enlever le filtre et faire fonctionner le distributeur. Si l'écoulement d'eau augmente, le filtre est probablement obstrué ou mal installé. Remplacer le filtre ou le réinstaller correctement.
- La porte du réfrigérateur est-elle bien fermée? Bien fermer la porte. Si elle ne ferme pas complètement, voir "Les portes ne ferment pas complètement" précédemment dans cette section.
- Les portes ont-elles été récemment enlevées? S'assurer que l'assemblage câble/tuyau du distributeur d'eau a été correctement reconnecté. Voir "Porte(s) et tiroir du réfrigérateur".
- Un système de filtration de l'eau à osmose inverse est-il connecté à votre canalisation d'eau froide? Ceci peut diminuer la pression de l'eau. Voir "Spécifications de l'alimentation en eau".

---

### L'eau coule du système de distribution

---

REMARQUE : Il est normal de constater une ou deux gouttes d'eau après la distribution d'eau.

- Le verre n'a pas été maintenu sous le distributeur assez longtemps? Maintenir le verre sous le distributeur 2 à 3 secondes après avoir relâché le levier du distributeur.
- S'agit-il d'une nouvelle installation? Rincer le système de distribution d'eau. Voir "Distributeur d'eau".
- Le filtre à eau a-t-il été récemment changé? Rincer le système de distribution d'eau. Voir "Distributeur d'eau".
- Trouve-t-on de l'eau sur le sol près de la grille de la base? S'assurer que les connexions du tuyau du distributeur d'eau sont complètement serrées. Voir "Porte(s) et tiroir du réfrigérateur".

---

### L'eau du distributeur est tiède

---

REMARQUE : L'eau du distributeur est seulement réfrigérée à 50°F (10°C).

- S'agit-il d'une nouvelle installation? Attendre 24 heures après l'installation pour que l'alimentation d'eau refroidisse complètement.
- Une grande quantité d'eau a-t-elle récemment été distribuée? Attendre 24 heures pour que l'alimentation d'eau refroidisse complètement.
- N'a-t-on pas récemment distribué de l'eau? Le premier verre d'eau peut ne pas être froid. Jeter le premier verre d'eau.
- Le réfrigérateur est-il branché à l'arrivée d'eau froide? S'assurer que le réfrigérateur est branché à l'arrivée d'eau froide. Voir "Spécifications de l'alimentation en eau".

## Système de filtration d'eau intérieur

### Modèle UKF8001AXX-200 /Capacité : 200 gallons (757 litres)



Système testé et certifié par NSF International en vertu de la norme NSF/ANSI 42 (réduction du goût et de l'odeur du chlore, et particules (classe I\*)); et en vertu de la norme NSF/ANSI 53 (réduction de plomb, mercure, atrazine, benzène, p-dichlorobenzène, carbofuran, toxaphène, kystes, turbidité, amiante, O-dichlorobenzène, éthylbenzène, chlorobenzène, endrine, tétrachloroéthylène et lindane).

Ce produit a été testé selon les normes NSF/ANSI 42 et 53 pour la réduction des substances énumérées ci-dessous. La concentration des substances indiquées dans l'eau entrant dans le système a été réduite à une concentration moindre ou égale à la limite permise pour l'eau qui quitte le système, tel que spécifié dans les normes NSF/ANSI 42 et 53.

Réd. de substances Effets esthétiques	Critères de réduction NSF	Affluent moyen	Concentration dans l'eau à traiter	Effluent maximal	Effluent moyen	% de réd. minimale	% de réd. moyenne
Goût/odeur de chlore Particules (classe I*)	réduction de 50 % réduction de 85 %	2,00 mg/L 14 000 000 #/mL	2,0 mg/L ± 10 % Au moins 10 000 particules/mL	0,06 mg/L 370 000 #/mL **	0,050625 mg/L 196 666 #/mL	97,00 % 97,40 %	97,52 % 99,00 %
Réduction de contaminant	Critères de réduction NSF	Affluent moyen	Concentration dans l'eau à traiter	Effluent maximal	Effluent moyen	% de réd. minimale	% de réd. moyenne
Plomb : à pH 6,5 Plomb : à pH 8,5	0,010 mg/L 0,010 mg/L	0,150 mg/L † 0,150 mg/L †	0,15 mg/L ± 10 % 0,15 mg/L ± 10 %	< 0,001 mg/L < 0,001 mg/L	< 0,001 mg/L < 0,001 mg/L	>99,30 % >99,30 %	>99,30 % >99,30 %
Mercure : à pH 6,5 Mercure : à pH 8,5	0,002 mg/L 0,002 mg/L	0,006 mg/L 0,0059 mg/L	0,006 mg/L ± 10 % 0,006 mg/L ± 10 %	0,0005 mg/L 0,0018 mg/L	0,0003 mg/L 0,00073 mg/L	91,70 % 69,20 %	95,00 % 88,10 %
Benzène	0,005 mg/L	0,0133 mg/L	0,015 mg/L ± 10 %	0,0005 mg/L	0,0005 mg/L	96,10 %	96,30 %
p-dichlorobenzène	0,075 mg/L	0,210 mg/L	0,225 mg/L ± 10 %	< 0,0005 mg/L	< 0,0005 mg/L	>99,80 %	>99,80 %
Carbofuran	0,040 mg/L	0,0753 mg/L	0,08 mg/L ± 10 %	0,027 mg/L	0,008 mg/L	64,60 %	73,45 %
Toxaphène	0,003 mg/L	0,015 mg/L	0,015 ± 10 %	< 0,001 mg/L	< 0,001 mg/L	>93,3 %	>93,3 %
Atrazine	0,003 mg/L	0,0102 mg/L	0,009 mg/L ± 10 %	0,0027 mg/L	0,00105 mg/L	76,30 %	89,40 %
Amiante	>99 %	126,5 MF/L	10 <sup>7</sup> à 10 <sup>8</sup> fibres/L ††	< 0,17 MF/L	< 0,17 MF/L	>99,99 %	>99,99 %
Kystes † Turbidité	>99,95 % 0,5 NTU	122 500 #/L 10,5 NTU	50 000/L min. 11 ± 1 NTU	< 1 #/L † 0,30 NTU	< 1 #/L † 0,125 NTU	>99,99 % 97,30 %	>99,99 % 98,80 %
Lindane	0,0002 mg/L	0,0019 mg/L	0,002 ± 10 %	< 0,00016 mg/L	0,000035 mg/L	91,80 %	97,90 %
Tétrachloroéthylène	0,005 mg/L	0,015 mg/L	0,015 mg/L ± 10 %	< 0,0005 mg/L	< 0,0005 mg/L	>96,6 %	>96,6 %
O-dichlorobenzène	0,6 mg/L	1,7 mg/L	1,8 mg/L ± 10 %	< 0,5 mg/L	< 0,5 mg/L	>99,9 %	>99,9 %
Éthylbenzène	0,7 mg/L	2,2 mg/L	2,1 mg/L ± 10 %	0,0048 mg/L	0,11 mg/L	99,80 %	99,90 %
Chlorobenzène	0,1 mg/L	2,0 mg/L	2,0 mg/L ± 10 %	0,0038 mg/L	0,0008 mg/L	99,80 %	99,90 %
Endrine	0,002 mg/L	0,007 mg/L	0,006 mg/L ± 10 %	0,0004 mg/L	0,0002 mg/L	94,30 %	96,80 %

Paramètres de test : pH = 7,5 ± 0,5 à moins d'indications contraires. Débit = 0,55 gpm (2,08 Lpm). Pression = 60 lb/po<sup>2</sup> (413,7 kPa). Température = 68°F ± 5°F (20°C ± 3°C).

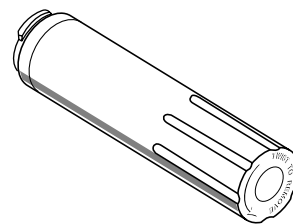
- Il est essentiel que les exigences de fonctionnement, d'entretien et de remplacement de filtre soient respectées pour que ce produit donne le rendement annoncé.
- Le filtre à eau jetable devrait être remplacé au moins tous les 6 mois.
- Le système de contrôle du filtre mesure la quantité d'eau qui passe par le filtre et vous alerte lorsqu'il faut remplacer le filtre. Lorsque 90 % de la vie estimée du filtre sont utilisés, le témoin jaune (Order/commander) s'allume. Lorsque 100 % de la vie estimée du filtre sont utilisés, le témoin rouge (Replace/remplacer) s'allume et il est recommandé de remplacer le filtre. Pour les modèles sans témoin lumineux de l'état du filtre, remplacer le filtre tous les 6 mois.

- Veuillez vous référer à la section "Système de filtration de l'eau" pour le nom et le numéro de téléphone du fabricant.
- Veuillez vous référer à la section "Garantie" pour la garantie limitée du fabricant.

#### Directives d'application/Paramètres d'approvisionnement en eau

Approvisionnement en eau	Collectivité ou puits
Pression de l'eau	35 - 120 lb/po <sup>2</sup> (241 - 827 kPa)
Température de l'eau	33° - 100°F (1° - 38°C)
Débit nominal	0,55 gpm (2,08 Lpm) à 60 lb/po <sup>2</sup>

- Le produit ne doit être utilisé que pour l'eau froide.
- Ne pas utiliser pour le filtrage d'une eau microbiologiquement polluée ou de qualité inconnue en l'absence d'un dispositif de désinfection adéquat avant ou après le système. Les systèmes certifiés pour la réduction de kyste peuvent être utilisés pour l'eau désinfectée qui peut contenir des kystes filtrables.



\*Classe I - taille des particules : > 0,5 à < 1 µm

\*\*Exigence de test : au moins 100 000 particules/mL (poussière de test fine AC).

† Ces contaminants ne sont pas nécessairement présents dans votre approvisionnement d'eau. Le rendement peut varier selon les conditions locales de l'eau.

††Fibres de longueur supérieure à 10 µm

‡Cas de la filtration de kystes de *Cryptosporidium parvum*

® NSF est une marque déposée de NSF International.



## Garantie

### Réfrigérateur - Modèle AMPROFD20

#### **GARANTIE LIMITÉE D'UN AN POUR LE PRODUIT ENTIER**

AGA Marvel garantit, pour une période d'un an à partir de la date d'achat initial, le remplacement ou la réparation (chez vous/dans votre maison) de toutes les pièces de l'appareil qui présentent un vice de matériau ou fabrication, à l'exception des surfaces peintes ou finies en porcelaine émaillée et des surfaces plaquées. Les pièces seront réparées ou remplacées au gré de AGA Marvel, gratuitement, conformément aux conditions ci-dessous. La période de garantie contre les défauts des surfaces en peinture-émail ou plaquées est de 90 jours à partir de la date d'achat initial.

#### **GARANTIE LIMITÉE - Principaux éléments du système de réfrigération**

Deuxième à cinquième année – Après la première année suivant la date de l'achat initial au détail, jusqu'à la cinquième année, le fabricant réparera ou remplacera, à son choix, gratuitement pour les pièces et la main d'oeuvre seulement, toute pièce du système de réfrigération scellé (comprenant le compresseur, l'évaporateur, le condenseur, le déshydrateur et la tubulure) et la doublure de caisse (à l'exclusion de la doublure de porte) qui se révéleraient défectueuses dans des conditions normales d'usage ménager. Le propriétaire devra assumer tous les autres frais, y compris les frais de déplacement, de transport, de

kilométrage et de diagnostic, le cas échéant.

#### **Garantie limitée – Filtre à eau**

30 jours – À compter de la date de l'achat initial au détail, toute pièce de la cartouche du filtre à eau se révélant défectueuse en raison d'un vice de matière ou de fabrication, sera remplacée gratuitement.

#### **Ne sont pas couverts par ces garanties :**

1. Initiation de l'utilisateur à l'emploi de l'appareil.
2. Perte des aliments résultant d'une défaillance de l'appareil. (Le garant n'est responsable d'aucun dommage accessoire ou indirect, y compris une perte d'aliments)
3. Frais engagés pour rendre l'appareil accessible pour le service.
4. Transport, livraison, ou dommages subséquents.
5. Appareils achetés aux fins d'usage commercial ou de location (au lieu d'un usage domestique).
6. Dommages résultant d'une installation défectueuse, mauvaise utilisation, d'un emploi abusif, d'un accident ou d'une modification, mise en service avec un câblage non conforme aux codes électriques, basse tension, défaut d'entretien nécessaire ou tout autre utilisation déraisonnable.
7. Pièces de rechange ou services non fournis ou désignées par l'usine.
8. Accident, feu, inondations, catastrophes naturelles.
9. Modification, mutilation ou enlèvement de la plaque signalétique.
10. Manque de vérification pour la facture du détaillant, date de livraison ou plaque signalétique.
11. Déplacement de l'appareil du lieu d'installation initial et réinstallation sans consultation et consentement préalables du détaillant ou de l'usine.
12. Ampoules
13. Si le produit est installé à l'extérieur des zones normal de service, les couts de transport [admissions, frais de traversier ou frais de millage, etc.] impliqués dans la réparation du produit, ou du remplacement des pièces défectueuses seront a la charge du client [propriétaire]

LES GARANTIES ÉNONCÉES PAR LES PRÉSENTES SONT LES SEULES GARANTIES ACCORDÉES PAR AGA MARVEL TOUTE GARANTIE IMPLICITE, Y COMPRIS CELA DE L'APTITUDE À LA VENTE EST LIMITÉE POUR LA DURÉE DE LA GARANTIE EX-PRESSE. AGA MARVEL NE SERA AUCUNEMENT RESPONSABLE DE DOMMAGES INDIRECTES OU ACCESSOIRES RELATIF AUX DÉPENSES POUR TOUTE MANQUEMENT DE CES GARANTIES, SOIT IMPLICITES OU EXPLICITES. Certains provinces ou états ne permettent pas d'exclusion ni restrictions pour les dommages-intérêts directs ou indirects ou de limiter la durée des garanties; il est donc possible que les limitations et les exclusions ci-dessus ne s'appliquent pas à votre cas. **Les garanties ne s'appliquent que dans les pays où l'appareil a été acheté.**

Aucune personne, entreprise ou personne morale n'est autorisée d'accorder une autre garantie, quel qui soit, ou d'assumer une obligation pour le compte de AGA Marvel. Pour tout service sous garantie, veuillez reporter les défauts : au détaillant ou au représentant de service de AGA Marvel.

ENDROIT D'ACHAT \_\_\_\_\_

DATE D'ACHAT \_\_\_\_\_

NUMÉRO DE SÉRIE \_\_\_\_\_

NOMBRE MODÈLE \_\_\_\_\_

AGA Marvel  
1260 E. VanDeinse St.  
Greenville MI 48838

Fax (616) 754-9690  
Toll Free Telephone 1-800-223-3900