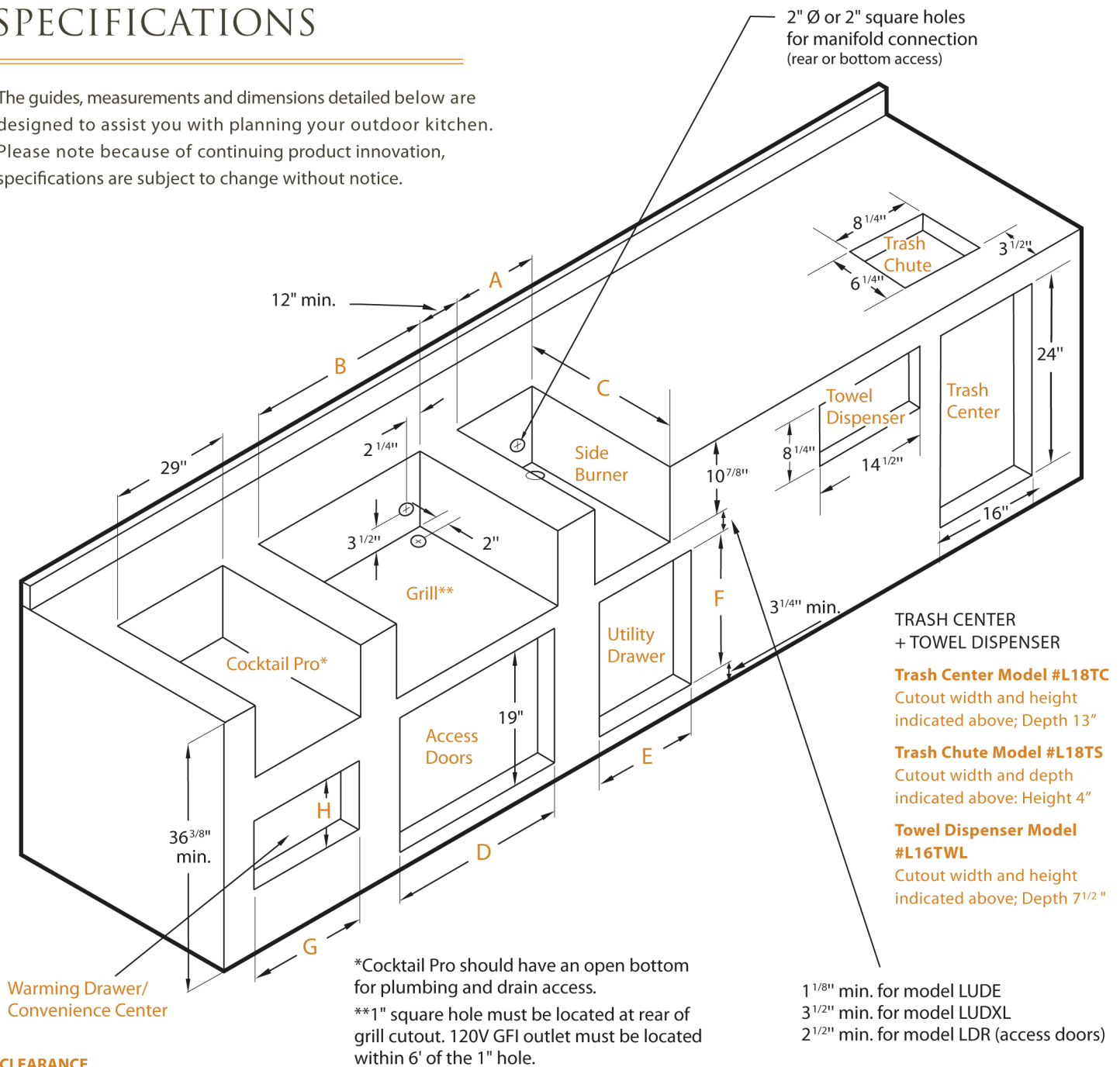
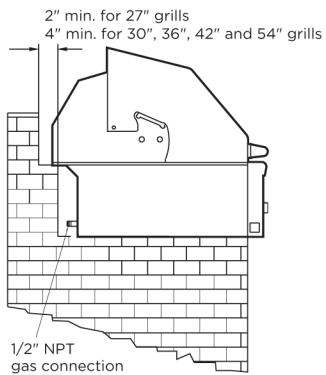


SPECIFICATIONS

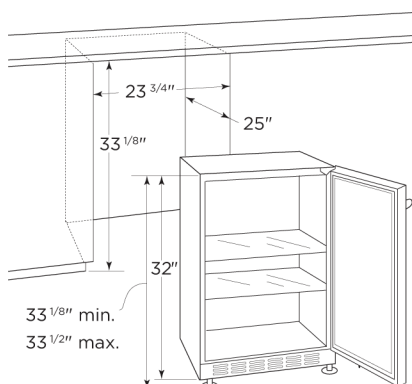
The guides, measurements and dimensions detailed below are designed to assist you with planning your outdoor kitchen. Please note because of continuing product innovation, specifications are subject to change without notice.



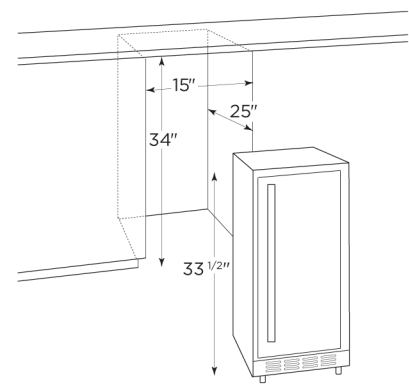
CLEARANCE



OUTDOOR REFRIGERATOR



ICE MACHINE



PROFESSIONAL GRILLS + PROSEAR™ POD

MODEL	A	B	C	D	E	F	G	H
L27	-	26	22	-	-	-	-	-
L30	-	29	24 1/2	-	-	-	-	-
L36	-	35	22	-	-	-	-	-
L42	-	41	24 1/2	-	-	-	-	-
L54	-	53	24 1/2	-	-	-	-	-
L30PSP	-	29	24 1/2	-	-	-	-	-

COMPLEMENTARY PRODUCTS

MODEL	A	B	C	D	E	F	G	H
ACCESS DOORS								
LDR21-1	-	-	-	19 1/4	-	-	-	-
LDR27-1	-	-	-	25 1/4	-	-	-	-
LDR30-1	-	-	-	28 1/4	-	-	-	-
LDR36-2	-	-	-	34 1/4	-	-	-	-
LDR42-1	-	-	-	40 1/4	-	-	-	-

SIDE BURNERS

LSB1	12 1/8	-	22 1/2	-	-	-	-	-
LSB2	12 1/8	-	22 1/2	-	-	-	-	-
LSB2PC	24 1/4	-	22 1/2	-	-	-	-	-
LPSGE	12 1/8	-	22 1/2	-	-	-	-	-

UTILITY DRAWERS

LUDE	-	-	24	-	12 1/8	19 1/4	-	-
LUDXL	-	-	24 1/4	-	17 1/4	18 9/16	-	-

WARMING DRAWERS

L30WD	-	-	20 1/2	-	-	-	28 1/2	10
L42CC	-	-	24 1/2	-	-	-	40 1/4	19 3/8

COCKTAIL PRO

CS30	-	-	22 3/4	-	-	-	-	-
------	---	---	--------	---	---	---	---	---

**NOTE: INSULATED JACKET REQUIRED FOR ALL GRILLS
INSTALLED INTO A COMBUSTIBLE ENCLOSURE. SEE DETAIL.**

WITH INSULATED JACKET INSTALLED

MODEL	A	B	C	D	E	F
LIJ27	33	5	24 1/2	4 1/2	3	11 5/8
LIJ30	36	5	26 1/2	4 1/2	3	11 5/8
LIJ36	42	5	24 1/2	4 1/2	3	11 5/8
LIJ42	48	5	26 1/2	4 1/2	3	11 5/8
LIJ54	60	5	26 1/2	4 1/2	3	11 5/8

Countertop Notch Detail

Only required if island countertop overhangs the face of the island

