

MODULAR 3000 SERIES 120V, 3018CLR MODELS



U-3018CLROL-00

U-3018CLROL-01

U-3018CLROL-40

U-3018CLROL-41

U-3018CLRS-00

U-3018CLRS-01

U-3018CLRS-40

U-3018CLRS-41

Table Of Contents

1 - Safety Precautions	
Safety Alert Definitions.....	1
General Precautions.....	1
2 - Inspect & Plan	
Product Registration.....	2
Product Description.....	2
Tools/Materials Required.....	2
Exterior Cleaning.....	2
3 - Prepare Site	
Electrical Specifications.....	3
Cut-Out Dimensions.....	3
3018CLR Series.....	3
4 - Product Dimensions	
3018 Series.....	4
5 - Door Swing Dimensions	
Other Site Requirements.....	5
Side-By-Side Installation.....	5
Power Supply.....	5
Environmental Requirements.....	5
6 - 3000 Series Doors	
Door Alignment and Adjustment.....	6
7 - 3000 Series Overlays	
Overlay / Frame Overlay Panel.....	7
Panel Preparation.....	7
Panel Installation.....	7
Overlay Grille.....	9
Overlay Grille Dimensions.....	9
8 - 3000 Series Anti-Tip Bracket	
Anti-Tip Brackets Installation.....	10
9 - Level & Install	
Leveling Information.....	11
Installation.....	11
Installation Troubleshooting.....	11
10 - Prepare Plumbing	
Copper Water Supply Connection.....	12
U-Line Water Hookup Kit Connection.....	12
11 - Drain Connection	
Gravity Drain.....	13
Factory Installed Drain Pump.....	13
Drain Connection.....	14
Final Installation.....	14

I Safety Precautions

NOTICE

- **PLEASE READ** all instructions before installing, operating, or servicing the appliance.
- Proper installation procedures must be followed when completing an installation or relocation of a unit. An **INSTALLATION GUIDE** for the unit, providing complete installation information, is available from U-Line Corporation direct. Consult the installation guide before any installation begins. U-Line contact information appears on the rear cover of this guide.
- This unit requires connection to a dedicated 15 Amp grounded (three-prong), polarized receptacle, installed by a qualified electrician, compliant with applicable electrical codes.

Safety Alert Definitions

Throughout this guide are safety items labeled with a Danger, Warning or Caution based on the risk type:

DANGER

Danger means that failure to follow this safety statement will result in severe personal injury or death.

WARNING

Warning means that failure to follow this safety statement could result in serious personal injury or death.

CAUTION

Caution means that failure to follow this safety statement may result in minor or moderate personal injury, property or equipment damage.

General Precautions

Use this appliance for its intended purpose only and follow these general precautions with those listed throughout this guide:

DANGER

RISK OF CHILD ENTRAPMENT. Before you throw away your old refrigerator or freezer, take off the doors and leave shelves in place so children may not easily climb inside.

WARNING

- **SHOCK HAZARD - Electrical Grounding Required.**
- Never attempt to repair or perform maintenance on the unit until the electricity has been disconnected.
- Never remove the round grounding prong from the plug and never use a two-prong grounding adaptor.
- Altering, cutting of power cord, removal of power cord, removal of power plug, or direct wiring can cause serious injury, fire and/or loss of property and/or life, and will void the warranty.
- Never use an extension cord to connect power to the unit.
- Always keep your working area dry.

WARNING

Install provided Anti-Tip kit on all 3000 series units. Serious personal injury could occur.

CAUTION

- Use care when moving and handling the unit. Use gloves to prevent personal injury from sharp edges.
- If your model requires defrosting, **DO NOT** use an ice pick or other sharp instrument to help speed up defrosting. These instruments can puncture the inner lining or damage the cooling unit. **DO NOT** use any type of heater to defrost. Using a heater to speed up defrosting can cause personal injury and damage to the inner lining.

NOTICE

- Do not lift unit by door handle.
- Never install or operate the unit behind closed doors. Be sure front grille is free of obstruction. Obstructing free airflow can cause the unit to malfunction and will void the warranty.
- Failure to clean the condenser every six months can cause the unit to malfunction. This could void the warranty.
- Do not Block any internal Fans.

Use only genuine U-Line replacement parts. Imitation parts can damage the unit, affect its operation or performance and may void the warranty.

2 Inspect & Plan

Product Registration

You have received a carton containing your 3000 series unit with a package inside containing a Quick Start Guide and a Registration Card. Please complete and mail the Product Registration Card. You may also register the unit online at u-line.com. Go to the Customer Service tab and click on Product Registration. Once your unit is installed, keep the Quick Start Guide in a safe place for future reference.

Product Description

This installation guide covers the following models.

- U-3018CLROL-00**
- U-3018CLROL-01**
- U-3018CLROL-40**
- U-3018CLROL-41**
- U-3018CLRS-00**
- U-3018CLRS-01**
- U-3018CLRS-40**
- U-3018CLRS-41**

Inspection

Unwrap and inspect the unit on a flat, level surface capable of supporting its entire weight. If necessary, remove protective film from Stainless Steel models.

Tools/Materials Required

- Screwdrivers — slotted, Phillips, and T-25 Torx head
- Level
- Pliers

Exterior Cleaning

NOTICE

Stainless door panels, handles and frames can discolor when exposed to chlorine gas, pool chemicals, salt water or cleaners with bleach.

- Keep your Stainless unit looking new by cleaning with a good quality all-in-one stainless steel cleaner/polish on a monthly basis. For best results use Claire Stainless Steel Polish and Cleaner, which can be purchased from U-Line Corporation (Part numbers 173348). Frequent cleaning will remove surface contamination that could lead to rust. Some installations may require cleaning on a weekly basis.
- **Do not clean with steel wool or abrasive pads.**
- **Do not use cleaners that are not specifically intended for stainless steel on stainless surfaces (this includes glass, tile and counter cleaners).**
- If any surface discolors or rust appears, clean it quickly with Bon-Ami or Barkeepers Friend Cleanser and a non-abrasive cloth. Always clean in the direction of the grain. Always finish this process with Claire Stainless Steel Polish and Cleaner or comparable product to prevent further problems.
- Glass surfaces may be cleaned with standard household window cleaners.

WARNING

Rust that is allowed to linger can penetrate into the surface of the stainless steel and complete removal of the rust may not be possible.

3 Prepare Site

Your U-Line product has been designed exclusively for a built-in installation. When built-in, your unit does not require additional air space for top, sides, or rear. However, the front grille must NOT be obstructed and clearance is required for an electrical connection in the rear.

NOTICE

- Unit can **NOT** be installed behind a closed cabinet door.

Electrical Specifications

⚠ WARNING

SHOCK HAZARD — Electrical Grounding Required.

- **Never remove the round grounding prong from the plug and never use a two-prong grounding adapter.**
- **Never use an extension cord to connect power to the unit.**

NOTICE

Electrical installation must observe all state and local codes. This unit requires connection to a grounded (three-prong), polarized receptacle that has been placed by a qualified electrician.

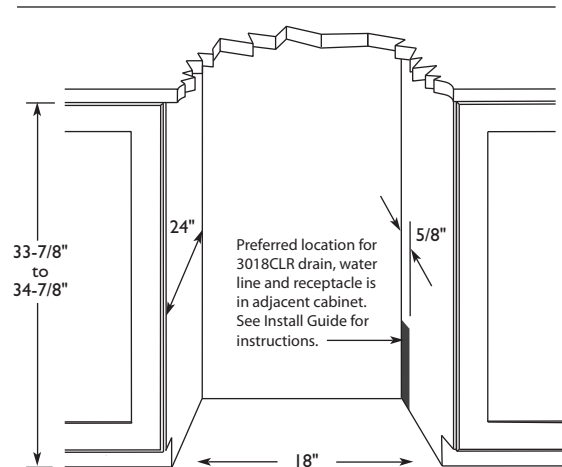
The unit requires a grounded and polarized 115 VAC, 60 Hz, 15A power supply (normal household current). An individual, properly grounded branch circuit or circuit breaker is recommended. GFCI (ground fault circuit interrupter) is usually not required for fixed location appliances and is not recommended for your unit because a GFCI could be prone to nuisance tripping. However, be sure to consult your local codes.

See Cut-Out Dimensions for recommended receptacle location.

Cut-Out Dimensions

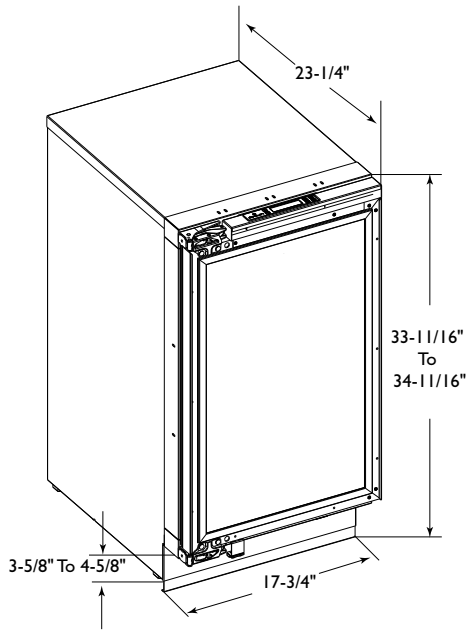
3018CLR Series

Follow the cut-out drawing. The 18" width allows for ease in installation and removal of the unit. 24" is the cabinet depth in most installations.

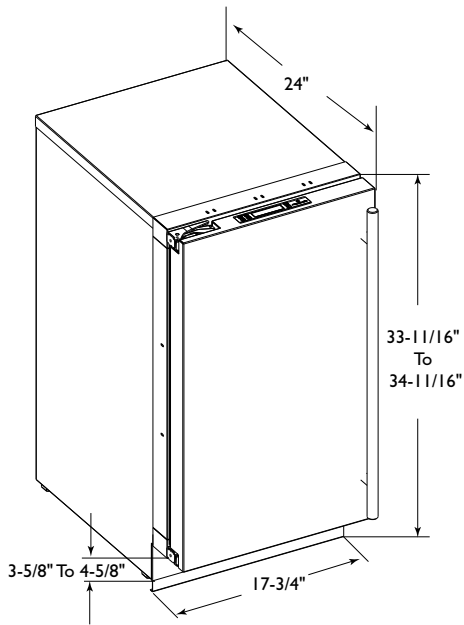


4 Product Dimensions

3018 Series



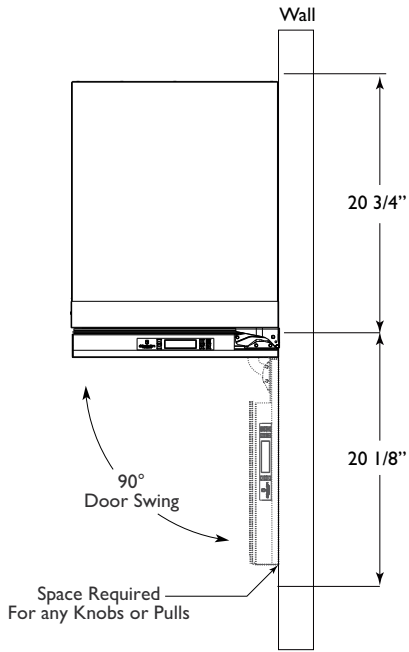
Solid Overlay Door



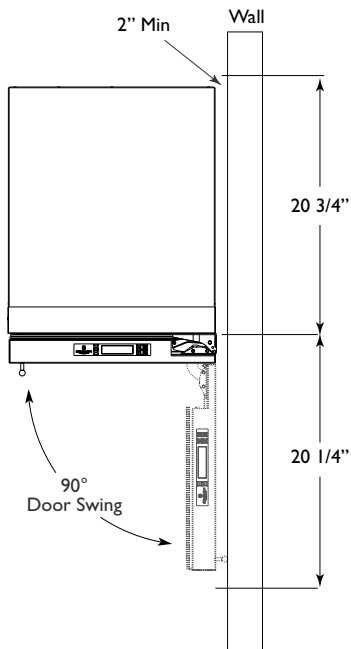
Stainless Steel Solid Door

5 Door Swing Dimensions

Units have a zero clearance when the door to open 90°. Overlay models will need additional space for any knobs or pulls installed on the overlay panel / frame. Stainless Steel models require 2" door clearance to accommodate the handle if installed next to a wall.



Overlay



Stainless

Other Site Requirements

Side-By-Side Installation

Cut-out width for a side-by-side installation is the total of the widths listed under Cut-Out Dimensions in each unit's Installation Guide.

No trim kit is required. However, a 1/4-inch of space needs to be maintained between the units to ensure unobstructed door swing.

Units must operate from separate, properly grounded electrical receptacles placed according to each unit's electrical specifications requirements.

Power Supply

The unit requires a grounded and polarized 115 VAC, 60 Hz, 15A circuit (normal household current). See Electrical Specifications.

Environmental Requirements

The units are designed to operate between 50°F (10°C) and 100°F (37°C). High ambient temperatures (100°F [37°C] or higher) may reduce the unit's ability to reach low temperatures and/or may also reduce the ice production rate for those models with icemakers.

For best performance, keep the unit out of direct sunlight and away from heat generating equipment.

In climates where high humidity and dew points are present, condensation may appear on outside surfaces. This is considered normal. The condensation will evaporate when the humidity drops.

6 3000 Series Doors

Door Alignment and Adjustment

Align and adjust the door if it is not level, or is not sealing properly. If the door is not sealed the unit may not cool properly, or excessive frost or condensation may form in the interior.

NOTICE

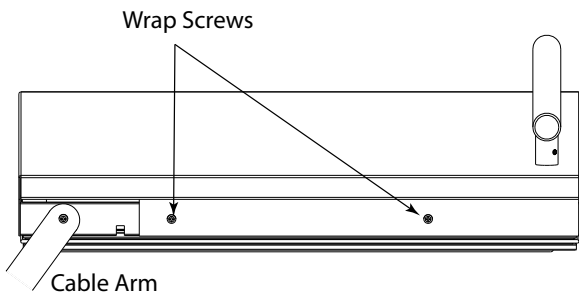
Properly aligned, the door's gasket should be firmly in contact with the cabinet all the way around the door (no gaps). Carefully examine the door's gasket to assure that it is firmly in contact with the cabinet. Also make sure the door gasket is not pinched on the hinge side of the door.

CAUTION

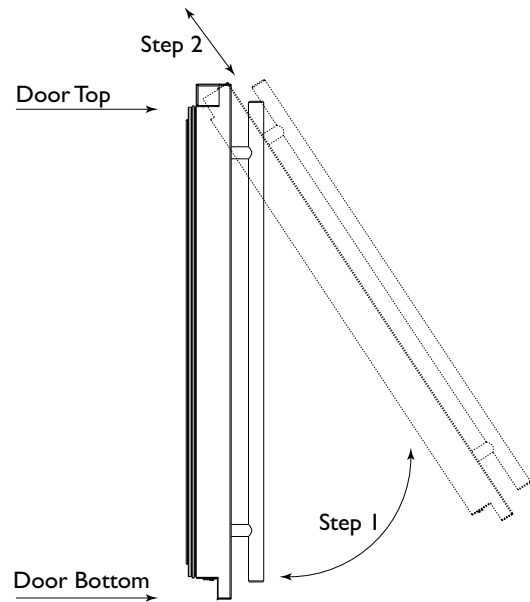
- Do not attempt to use the door to raise or pivot your unit. This would put excessive stress on the hinge system.
- Pay special attention to the Cable Arm. Make sure not to over extend or damage it during door alignment.

Stainless Models (Removing Wrap)

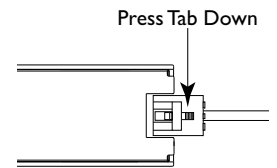
1. Open door completely.
2. Using a Phillips screwdriver, remove the two wrap screws from the bottom of the stainless steel door wrap.



3. Gently pull bottom of wrap away from door.
4. The wrap hinges on top of the door. Carefully pull wrap away and then up. **See below.**

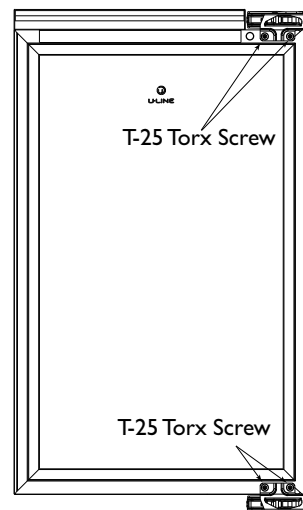


5. Remove cable from display by pressing in the release tab on the cable connector.



Alignment and Adjustment

1. Using a T-25 Torx Bit, loosen each pair of torx head screws on both the upper and lower hinge plate.
2. Square and align door as necessary.
3. Tighten Torx head screws on hinge.
4. Re-connect display and re-install stainless steel wrap.



7 3000 Series Overlays
Overlay / Frame Overlay Panel
NOTICE

Due to differences in surrounding cabinetry the panel may not perfectly align with door. The procedure below is designed to provide a finished overlay panel that seamlessly integrates with surrounding cabinetry.

Panel Preparation

A full overlay door panel completely covers the door frame and provides a built-in appearance.

NOTICE

- The door panel must not weigh more than 20lbs.
- It is important to ensure that all drilled holes are drilled to the correct depth in order to avoid splits in the wood when hardware is installed.
- Appliance will need up to 34 1/2" to the under side of the counter to leave room for leveling adjustments.

1. Cut the panels to the dimensions listed in the diagram below.
2. Optional: Stain or Finish panel to desired stain or color. Be sure to closely follow the instructions provided by the manufacturer.

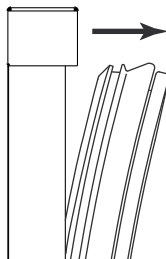
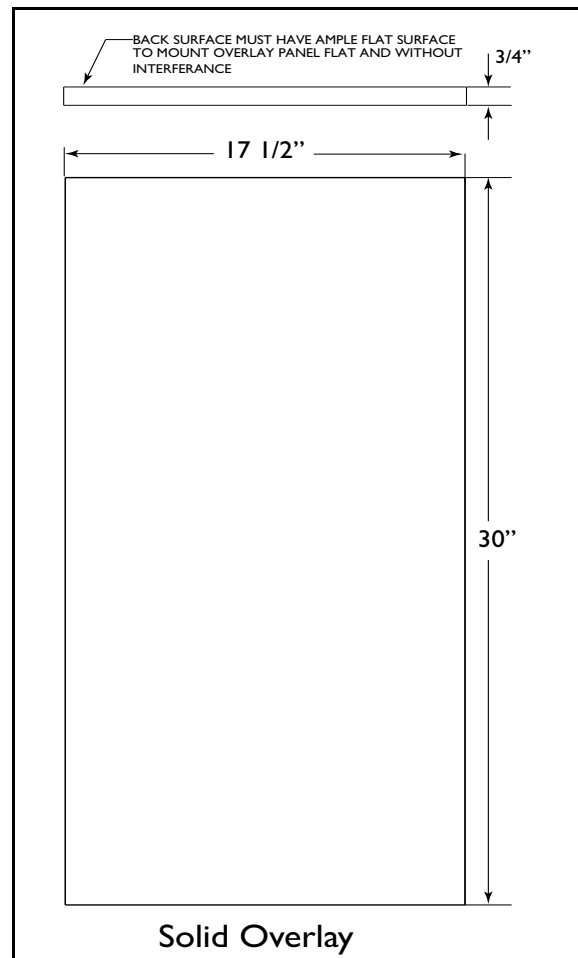
NOTICE

If finishing frame overlay, both sides of overlay must be finished in order to prevent warping.

3. Optional: Install handles and hardware.

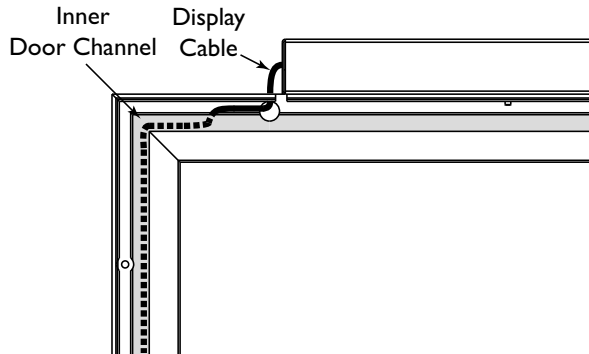
Panel Installation

1. Fully open door,
2. Starting at corner, pull gasket away from door.
3. Continue to pull gasket free from gasket channel.
4. Upon removal, lay gasket down on a flat surface.


Overlay Panel Dimensions


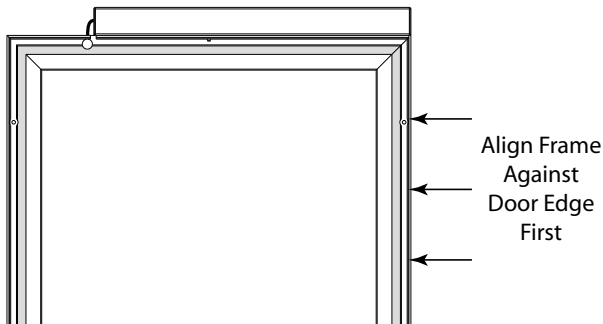
NOTICE

Make certain the display cable remains securely seated in the inner door channel, see below.



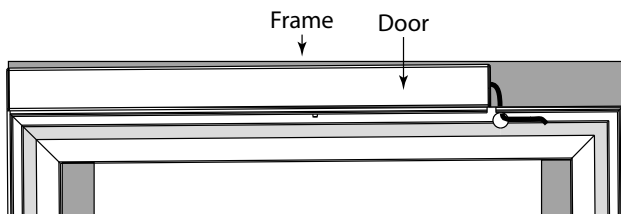
- The frame should be aligned with the outside edge (opposite the hinge) and high enough to align with the highest point in the door.

Align Top Of Panel With Highest Point Of Door

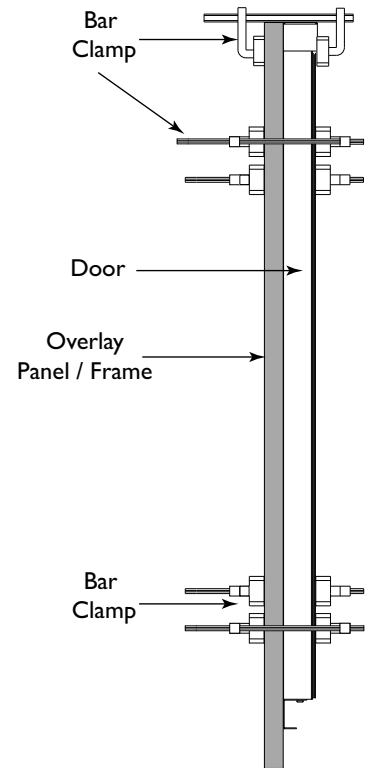


NOTICE

Due to differences in floor construction or surrounding cabinetry the frame may not sit flush with the top of the door.



- Secure overlay to door using clamps. A robust tape may also be used. U-Line recommends the use of bar clamps to securely clamp the overlay to the door. If using tape be certain the tape will not damage overlay finish upon removal.

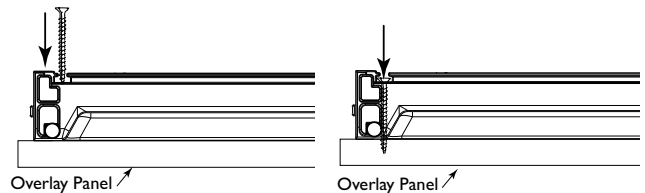


- Using a 7/64" drill bit, drill 6 pilot holes into the wood panel 1/2" deep using the holes in the door frame as a guide.

- Locate 6 of the #6 x 1 1/2" screws provided with your unit

- Using a phillips screwdriver, place one screw into each of the 6 pilot holes and screw down. Do not overtighten screws.

- Be sure the screws force their way past the opening on the gasket channel and sit flush against the bottom of the channel.



- Remove clamps from door.

NOTICE

If frame requires additional adjustment after removing clamps, slightly loosen each screw and adjust frame as necessary. Tighten screws upon completion.

- Starting at the corners, re-install the gasket into the gasket channel in the frame. Make sure the gasket is fully seated, this may take some force.

Overlay Grille

The 3000 series grille is fully adjustable and can be set to match your surrounding cabinetry dimensions. In addition to its adjustability, an overlay may also be installed to truly provide a seamless appearance.

Prepare and Install Overlay

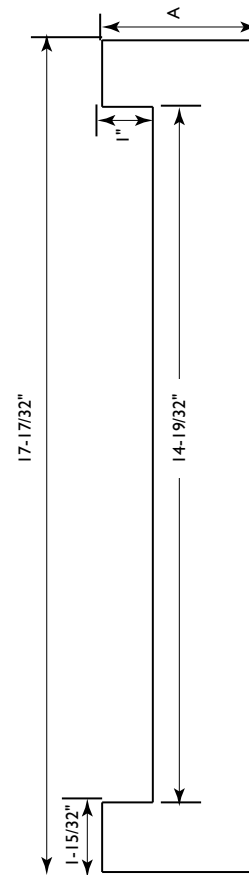
1. Use the dimensions provided in the diagram Overlay Grille Dimensions to cut and shape your grille overlay. Recommended overlay thickness is between 1/4" and 3/8". Dimension A will vary from 3-1/2" to 4-1/2" based on your toe kick height.
2. Finish your grille overlay to match your surrounding cabinetry. Finish front, back and edges to prevent warping. Carefully follow the manufacturer's recommendations for finish application and cure times.
3. Apply double sided tape to the backside of the overlay grill. Use the diagram below for reference. U-Line recommends 3M™ VHB™ tape, a high strength bonding tape.

Apply Tape To Shaded Area



4. Remove backing paper from double sided tape.
5. Carefully align grille over overlay and press into position.

Overlay Grille Dimensions



3018 Models

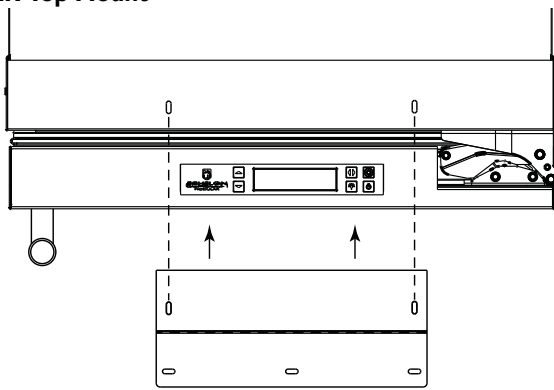
Dimension A may vary from a minimum of 3-1/4" to a maximum 4-1/4" depending on toe kick height. Measure toe kick height and cut overlay to same dimension.

8 3000 Series Anti-Tip Bracket
Anti-Tip Brackets Installation

WARNING

The Anti-tip bracket must be installed to prevent the unit from tipping when doors are fully opened, or excess weight is placed on the front of the unit.

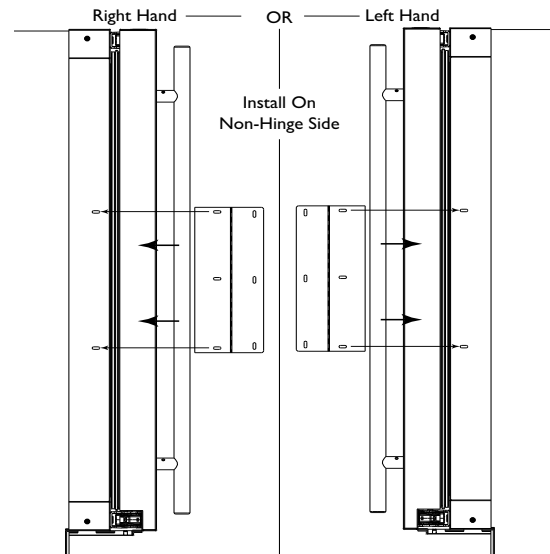
The Anti-tip brackets have multiple mounting choices depending on your particular cabinet arrangement. Using the following instructions, secure the anti-tip plate(s) to the unit and then to your cabinets. Find the anti-tip bracket kit included inside your unit.

3018CLR Top Mount


Top mount configurations work well with fully secured wood or laminate counter tops.

1. Align one bracket on top of your unit as shown above.
2. Align the anti-tip plate with the holes provided on the unit. Using the 2 supplied black #8 x 1/2" screws, install 2 screws through each plate into the unit using a #2 Phillips head screwdriver.
3. Completely slide the unit into its position in the opening. Be certain unit height is properly adjusted. (See LEVEL & INSTALL.)
4. Open both doors completely. Make certain doors clear surrounding cabinetry.
5. Using the anti-tip bracket as a template, use a 3/32" drill bit to drill pilot holes, 5/8" deep into bottom of countertop.

Attach to the cabinet using the 2 supplied screws after leveling.

3018CLR Side Mount


Side mount configurations work well if you have a granite counter top or do not wish to mount the brackets to the underside of your counter top.

1. Align one bracket to the non-hinge side of your unit as shown above.
2. Align the anti-tip plate with the holes provided on the unit. Using the 2 supplied black #8 x 1/2" screws, install 2 screws through each plate into the unit using a #2 Phillips head screwdriver.
3. Completely slide the unit into its position in the opening. Be certain unit height is properly adjusted. (See LEVEL & INSTALL.)
4. Open both doors completely. Make certain doors clear surrounding cabinetry.
5. Using the anti-tip bracket as a template, use a 3/32" drill bit to drill pilot holes, 5/8" deep into cabinetry frame.

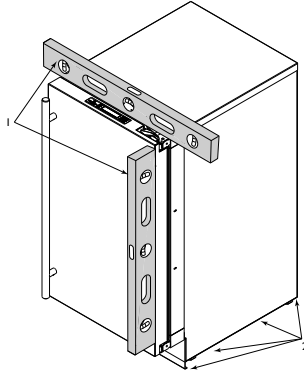
Attach to the cabinet using the 2 supplied screws after leveling.

9 Level & Install

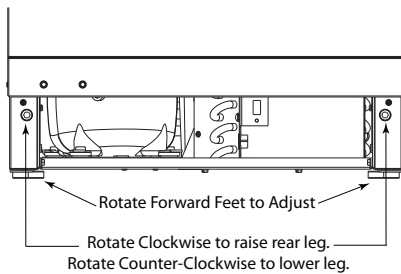
Leveling Information

It is recommended that the unit is level once installed.

- Use a level to check the levelness of the unit from front to back and from side to side. Level should be placed along top edge and side edge as shown.



- If the unit is not level, remove grille and adjust feet as necessary. Use included tool to adjust the height of the rear leveler feet. Turn screw clockwise to raise the rear foot, counter-clockwise to lower.
- Check the levelness after each adjustment and repeat the previous steps until the unit is level.



INSTALLATION TIP

If the room floor is higher than the floor in the cut-out opening, adjust the rear feet to achieve a total unit rear height of 1/8" less than the opening's rear height. Shorten the unit height in the front by adjusting the front feet. This allows the unit to be gently tipped into the opening. Adjust the front feet to level the unit after it is correctly positioned in the opening.

Installation

- Plug in the power cord.
- Gently push the unit into position. Be careful to not entangle the electrical cord, water line and drain line.
- Re-check the leveling, from front to back and side to side. Make any necessary adjustments. The unit's top surface should be approximately 1/8" below the countertop.
- Install the 6 cabinet mounting screws for the Anti-tip bracket.
- Remove the tape from the glass shelves and wipe out the inside of the unit with a clean, water-dampened cloth.

Installation Troubleshooting

Q: Problem

The door remains open unless it is pushed closed.

A: Solution

The hinges should be self-closing when the door is open approximately 8". If this is not the case, make sure nothing is caught in the hinge closing mechanism. Also, re-check leveling from front to back of the unit and readjust if necessary. Make sure that pivot plate is installed correctly.

Q: Problem

The custom overlay door was designed to align with the rest of the cabinet doors, but the unit has crept forward.

A: Solution

Make sure that the electrical cord, water supply line or drain line is not obstructing the installation.

10 Prepare Plumbing

The unit requires a 1/4" O.D. soft copper supply line, or flexible water supply kit from U-Line (Part No. WATERHOOKUP).

WARNING

Prior to attempting installation, determine if this product contains a gravity style drain or factory installed drain pump. Products without a drain pump may only use a gravity style drain. Failure to connect water supply or drain line connections properly may result in water leakage, personal injury, and/or property damage. Disconnect power and turn off water to the unit before attempting to alter these connections. Please consult U-Line or your installation instructions for further details. These connections are the responsibility of the owner and must be connected per local plumbing code. If you are uncertain of how to safely and properly install this product, contact a licensed plumber.

Water Connections:

CAUTION

Review, obey, and understand the local plumbing codes before you install your unit. Connect to the cold water supply. The water pressure should be between 20 and 120 psi. The water line **MUST** have a shut-off valve on the 1/4" supply line.

CAUTION

- U-Line requires the use of copper tubing for installation or the U-Line water hookup kit available at www.u-line.com. This kit includes a flexible water supply connecting hose and brass fitting.
- Do not use any plastic water supply line. The line is under pressure at all times. Plastic may crack or rupture with age and cause damage to your home.
- Do not use Teflon tape or joint compound on the water fitting. The rubber washer provides an adequate seal. Other materials could cause blockage of the valve.
- Failure to follow recommendations and instructions may result in damage and/or harm, flooding or void the product warranty.

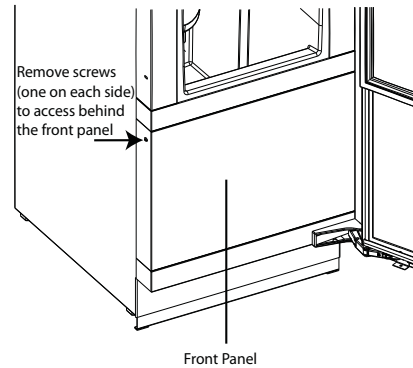
1/4" Copper Water Supply Connection

CAUTION

Turn off water supply and disconnect electrical supply to unit prior to attempting installation.

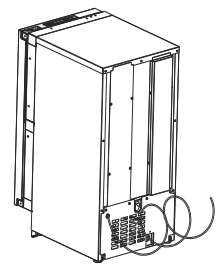
1. Turn off water supply and disconnect electrical supply to product prior to attempting installation.
2. Remove back panel of unit.

3. Remove front panel of unit. See image below for location of front panel screws.

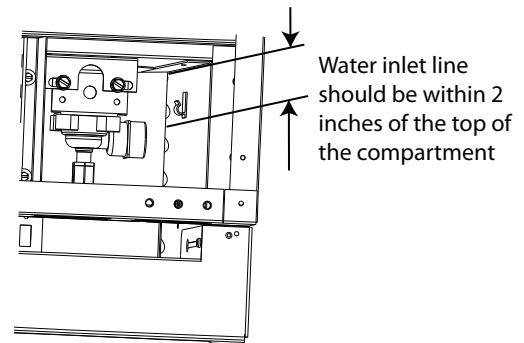


4. Locate the desired cold water supply location.

5. Attach a 1/4" copper line to this location and route the tubing to the appliance. Leave approximately 8' of water line to be coiled behind the appliance. The water line should be looped into 2 coils. This will allow the line to flex when removing the unit for cleaning and service. Do not kink or pinch the coiled line.

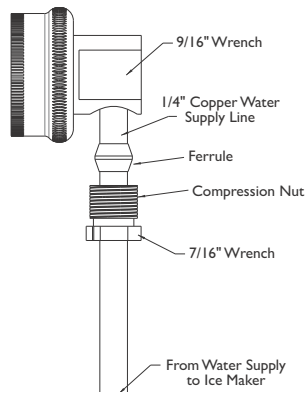


6. Take the end of the copper tubing and put the line through the hole in the back panel.
7. Then take the end of the copper tubing and feed it through the opening between the condenser and the side of the unit. The copper tubing should be within two inches of the top of the compartment.



8. Locate the U-Line supplied hose fitting. Ensure the end on the copper tubing has been cut straight and is free of burrs. Slide the

compression nut and ferrule onto the copper tubing as shown below.



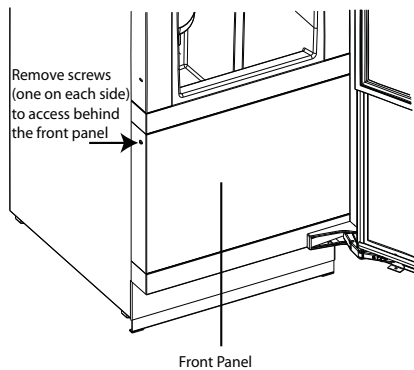
9. Feed the complete assembly into the garden fitting and tighten. Attach to the water valve located in the front of the unit.
10. Gray hooks are located in the front of the condenser and behind the condenser. Use these to secure the copper tubing to be within two inches of the top of the unit.
11. Turn on water and check for leaks.
12. Re-attach back panel and front panel.

U-Line Water Hookup Kit Connection

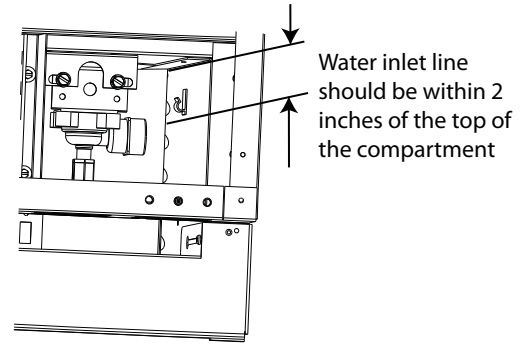


Turn off water supply and disconnect electrical supply to unit prior to attempting installation.

1. Turn off water supply and disconnect electrical supply to unit prior to attempting installation.
2. Remove back panel of unit.
3. Remove front panel of unit. See image below for location of front panel screws.



4. Take one end of the braided line and feed it through the front of the unit between the condenser and the right side of the unit. This tubing should be within two inches of the top of the compartment.



5. Take the end of the braided line and put the line through the hole in the back panel.
6. Locate the desired cold water supply location.
7. Attach the end of the braided line to this cold water supply location. Leave approximately 4' of water line to be coiled behind the appliance.
8. Attach the garden hose connection from the kit to the front of the unit.
9. Attach the front of the braided line to this garden hose connection. Ensure that there is still approximately 4' of water line is coiled behind the appliance. The water line should be looped in 2 coils. This will allow the line to flex when removing the unit for cleaning and servicing. Do not kink or pinch the coiled line.
10. Turn on water supply and check for leaks.
11. Re-attach back panel and front panel.

II Drain Connection

The 3018CLR requires access to either a gravity or pump fed drain.

CAUTION

If your U-Line unit did not come with a factory installed drain pump you must use a gravity style drain connection. For assistance in determining if your unit has a pump please contact U-Line. The floor drain must be large enough to accommodate drainage from all attached drains. Follow these guidelines when installing drain lines to prevent water from flowing back into the ice maker storage bin and/or potentially flowing onto the floor, which may result in personal injury or property damage.

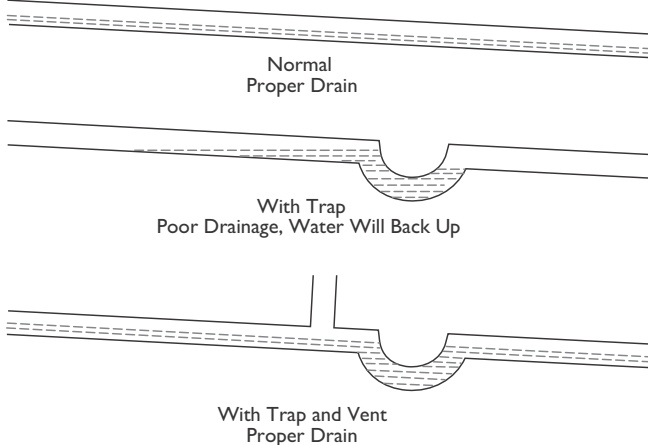
NOTICE

Drain can NOT be located directly below the unit. Unit has a solid base that will not allow the unit to drain below itself.

NOTICE

There is a possibility that hose connections may have loosened during shipment.

Gravity Drain



A gravity drain may be used if:

- Drain line has at least a 1" drop per 48" of run (1/4" per foot).
 - Drain line does not create traps and is vented per local code.
1. Cut the pre-installed drain tube to length.
 2. Connect to your local plumbing per the local code.
 3. If necessary, insulate drain line to prevent condensation.
 4. Test the drain system per the test procedure under Final Installation.

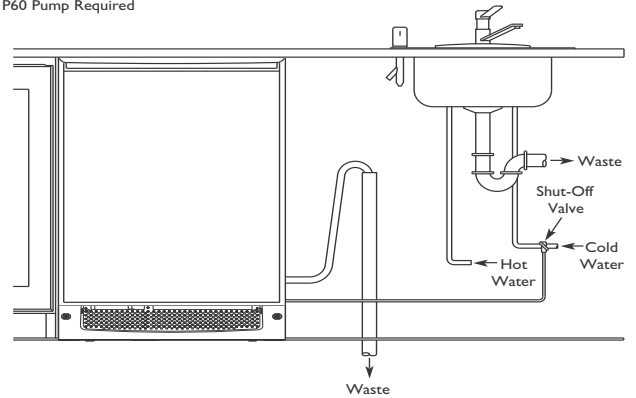
WARNING

Failure to connect water supply or drain line connections properly can result in personal injury and property damage. Gravity drain connections must be routed downward from the rest of the unit at the rate of 1/4" per foot.

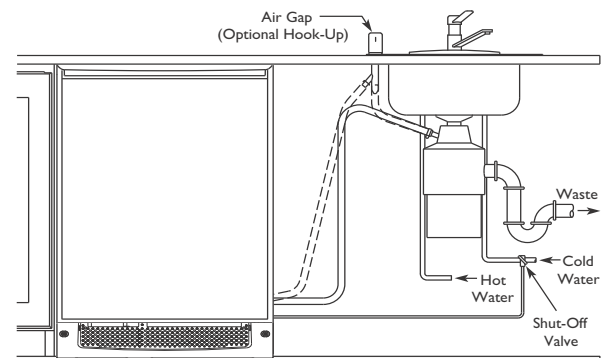
Factory Installed Drain Pump

- If your drain line will run up to a stand pipe, disposal or spigot assembly, or does not otherwise meet the requirements for a gravity drain, you may have ordered the 3018CLR with a pre-installed U-Line P60 drain pump.
- If you need to install a P60 drain pump into your unit, see Locally Installed Drain Pump on page 14.
- See below for typical installations requiring a drain pump.

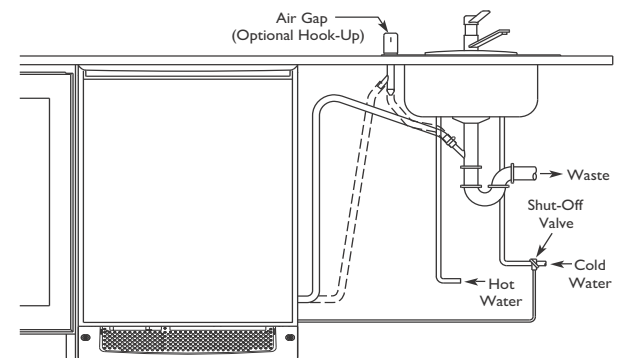
Stand Pipe
P60 Pump Required



Disposal Assembly
P60 Pump Required



Y-Branch Tailpiece
P60 Pump Required



NOTICE

The maximum lift for the P60 drain pump is 10 feet. This must be done as close to the rear of the unit as possible.

NOTICE

Before installing your U-Line 3018CLR with factory-installed U-Line P60 pump, it is extremely important to check and test all hose connections at the drain pump.

NOTICE

There is a possibility that hose connections may have loosened during shipment.

Test Hose Connections:

1. Place a suitable container beneath the pump's discharge tube. The container must be able to hold a minimum of one gallon.
2. Plug the ice maker power cord into a properly grounded, polarized electrical outlet.
3. Place the unit into OFF mode by holding the power key for 5 seconds. Failure to power down the ice maker will cause it to begin a fill cycle which will run for 3 minutes.
4. Verify pump operation by pouring one gallon of water into the ice storage bin of the ice maker. The pump should energize and pump the water into the container.
5. At this time, verify that all tube and clamp connections are tight and leak-free.
6. Unplug unit power cord from electrical outlet.

Drain Connection

WARNING

To prevent accidental electrocution and / or slipping, make certain the floor surfaces surrounding the unit are dry at all times.

1. Route pre-installed drain tube and cut to length. Connect to local plumbing per code. Common fittings and clamps have been included for your convenience. Avoid dips or sags in the drain line and ensure the maximum lift is under 10'.
2. Insulate the drain line, if necessary to prevent condensation.
3. Test the drain system per the test procedure under Final Installation.

Locally Installed Drain Pump:

If a gravity drain connection is not possible, and you have not purchased a 3018CLR without a factory installed pump, we strongly recommend the use of the U-Line P60 drain pump.

The U-Line P60 drain pump is available through your dealer, with complete installation instructions.

Final Installation

NOTICE

In the event of a power outage, restricted drain or pump failure, the failure to use the U-Line P60 drain pump could result in substantial water leakage and pooling with severe and costly water damage and related consequential damages and harm.

1. Plug in unit and put into OFF mode by holding the power key for 5 seconds.
2. Turn on the water supply and ensure the connections are free of leaks.
3. Pour 1 gallon of water into the bin and ensure all the connections and fittings are free from leaks.
4. Begin to push the appliance into the desired cabinet opening. The copper tubing should remain in 2 coils behind the unit.

NOTICE

Normal operation creates some vibration. A water supply line contacting the cabinet may cause excessive noise during operation, or damage the line. Make certain the water line is not in contact with the cabinet and is routed using the pre-installed clips.

5. While pushing the unit into the opening, continuously reroute the drain tube and water line to avoid kinks. The most common installation pulls the slack into an adjacent cabinet or basement area.
6. When installation is complete and unit is secured in the opening, pour 1 gallon of water into the unit and ensure the water drains from the bin and there is no water leakage in and around product.

NOTICE

Failure to properly perform the installation of water supply and drainage connections may result in water leakage, which can damage the unit, damage other property and result in personal injury through electrocution and/or slips and falls. As a result, failure to properly install and connect the water supply and drainage connections shall serve to void U-Line's warranty on the supplied equipment. In no event shall U-Line be responsible for direct, indirect, incidental, consequential or any other damage arising from improper water supply and drain installation and/or connections.

PRODUCT INFORMATION

Complete Installation Guides, Use and Care Guides, Specifications & Features and Benefits, CAD Drawings, Overlay Panel/Frame and Toe-Kick Specifications and Instructions, Compliance Documentation and Applicable Energy Guides are available for reference and download at u-line.com.

SERVICE INFORMATION

Please consult your Use and Care Guide for troubleshooting information. Answers to Customer Frequently Asked Questions are available at u-line.com under Customer Service. You may contact U-Line directly:

GENERAL INQUIRIES:

U-Line Corporation
P.O. Box 245040
Milwaukee, Wisconsin 53224-9540 U.S.A.
Phone 1-414-354-0300
FAX 1-414-354-7905
Email: sales@u-line.com
u-line.com

SERVICE ASSISTANCE:

Phone 1-800-779-2547
FAX 1-414-354-5696
Email: onlineservice@u-line.com
u-lineservice.com

PARTS ASSISTANCE:

E-mail: onlineparts@u-line.com

BUILDING ON THREE GENERATIONS OF INNOVATION

For nearly five decades and three generations, U-Line continues to be the leader in innovation, quality and value in the premium built-in undercounter ice making, refrigeration and wine preservation market. U-Line has captivated those with an appreciation for the finer things with exceptional functionality, style, inspired innovation and attention to even the smallest details. We are known and respected for our unwavering dedication to product design, quality and selection.

In 1962, Henry Uihlein founded U-Line Corporation as an outgrowth of Ben-Hur Freezer Company and was the first to develop and patent an automatic stand-alone undercounter residential ice maker. His foresight and determination to develop new ideas and to succeed when there were no clear guidelines or solutions are evident today. The newest Uihlein generation continues to build upon the family's innovative legacy at the Milwaukee, Wisconsin based business by providing continuity and vision from which new designs and technology continue to be born.

Today the complete U-Line product collection includes Ice Makers, Wine Captain[®] Models, Combo[®] Models, a Refrigerator / Freezer, Refrigerators, Drawers and Beverage Centers. The U-Line brand offers products in the 1000 Series, 2000 Series and the Modular 3000 Series. The 1000 Series offers a more targeted priced product with appropriate features, while the 2000 Series offers upscale features, advanced technology and specialized product families. U-Line's approach to its breadth of products, multiple price points and features allows a choice and product that will fit any lifestyle.

DESIGNED, ENGINEERED AND ASSEMBLED IN WISCONSIN, USA