

Installation  
Operation  
and  
Maintenance  
Instructions

Refrigerator Models

**30ARM (Marvel)**  
**61ARM (Marvel)**  
**3OARM (Outdoor)**  
**6ADAM (Marvel)**  
**6ARM (Marvel)**  
**6ARCM (Marvel)**  
**6AROM (Outdoor)**  
**MPRO6ARM (Professional)**



# CONTENTS

Unpacking your refrigerator.....	3	Full Overlay Panel Installation Instructions.....	17
Removing interior packaging.....	3	Energy Saving Tips .....	20
Warranty Registration.....	3	Care and Cleaning.....	21
Installing your refrigerator.....	4	Troubleshooting Guide.....	22
Selecting the location.....	4	Obtaining Service.....	22
Outdoor Installation.....	4	Household Product Warranty.....	23
Cabinet Clearances.....	4		
Leveling legs.....	4		
Electrical Connection .....	5		
Using Your MicroSentry™ Refrigerator Control.....	6		
Starting Your Refrigerator.....	6		
Turning Your Refrigerator ON or OFF .....	6		
Set Temperature.....	6		
Refrigerator Operation.....	6		
Alarms .....	6		
Alarm Mute.....	6		
Dimensions For Models 30ARM .....	7		
Recommended Rough in Opening Dimensions			
For Models 30ARM .....	7		
Dimensions For Model 30ARM Overlay Door.....	8		
Recommended Rough in Opening Dimensions			
For Model 30ARM Overlay Door.....	8		
Dimensions For Model 3OARM .....	9		
Recommended Rough in Opening Dimensions			
For Model 3OARM .....	9		
Dimensions For Models 61ARM .....	10		
Recommended Rough in Opening Dimensions			
For Models 61ARM .....	10		
Dimensions For Model 61ARM Overlay Door.....	11		
Recommended Rough in Opening Dimensions			
For Model 61ARM Overlay Door.....	11		
Dimensions For Model 6ARM .....	12		
Recommended Rough in Opening Dimensions			
For Model 6ARM .....	12		
Dimensions for Model 6ARCM Overlay Door.....	13		
Recommended Rough in Opening Dimensions			
For Model 6ARCM Overlay Door.....	13		
Dimensions for Models 6AROM and MPRO6ARM .....	14		
Recommended Rough in Opening Dimensions			
For Models 6AROM and MPRO6ARM.....	14		
Dimensions For Model 6ADAM.....	15		
Recommended Rough in Opening Dimensions			
For Model 6ADAM.....	15		
Dimensions For Model 6ADAM Overlay Door.....	16		
Recommended Rough in Opening Dimensions			
For Model 6ADAM Overlay Door.....	16		

## Important Safety Instructions

Warnings and safety instructions appearing in this guide are not meant to cover all possible conditions and situations that may occur. Common sense, caution, and care must be exercised when installing, maintaining, or operating this appliance.

## Recognize Safety Symbols, Words, and Labels.

### **WARNING**

**WARNING**-Hazards or unsafe practices with high probability of personal injury or property / product damage.

### **CAUTION**

**CAUTION**-Hazards or unsafe practices which could result in personal injury or property or product damage.

### **NOTE**

**NOTE**-Important information to help assure a problem free installation and operation.

**AGA MARVEL** is committed to building a quality product in an environmentally friendly manner. Our processes are tightly controlled and closely monitored. We have achieved certifications in ISO 9001 for quality assurance, ISO 14001 for environmental management, and OHSAS 18001 for occupational health and safety from Lloyd's Register Quality Assurance.



# UNPACKING YOUR REFRIGERATOR

## Remove Interior Packaging

Your refrigerator has been packed for shipment with all parts that could be damaged by movement securely fastened. Remove internal packing materials and any tape holding internal components in place. The owners manual is shipped inside the product in a plastic bag along with the warranty registration card, and other accessory items.

## Important

Keep your carton and packaging until your refrigerator has been thoroughly inspected and found to be in good condition. If there is damage, the packaging will be needed as proof of damage in transit. Afterwards please dispose of all items responsibly in particular the plastic bags which can be a suffocation hazard.

## Note to Customer

This merchandise was carefully packed and thoroughly inspected before leaving our plant. Responsibility for its safe delivery was assumed by the retailer upon acceptance of the shipment. Claims for loss or damage sustained in transit must be made to the retailer.

DO NOT RETURN DAMAGED MERCHANDISE TO THE MANUFACTURER - FILE THE CLAIM WITH THE RETAILER.

## CAUTION

If the unit was shipped or has been laying on its back for any period of time allow the refrigerator to sit upright for a period of at least 24 hours before plugging in. This will ensure oil returns to the compressor. Plugging the refrigerator in immediately may cause damage to internal parts.

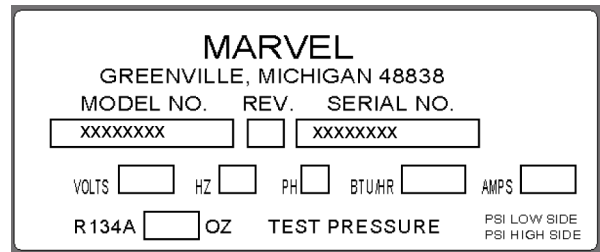
## Warranty Registration

It is important you send in your warranty registration card immediately after taking delivery of your refrigerator.

The following information will be required when registering your unit.

Model Number  
Serial Number  
Date of Purchase  
Dealer's name and address

The model number and serial number can be found on the serial plate which is located inside the cabinet on the left side near the top. See Figure 1.



<b>MARVEL</b>					
GREENVILLE, MICHIGAN 48838					
MODEL NO.	XXXXXXXX	REV.		SERIAL NO.	XXXXXXXX
VOLTS		HZ		PH	
				BTU/HR	
				AMPS	
R134A		OZ		TEST PRESSURE	PSI LOW SIDE PSI HIGH SIDE

Figure 1

## CAUTION

## Help Prevent Tragedies

Child entrapment and suffocation are not problems of the past. Junked or abandoned refrigerators are still dangerous - even if they sit out for "just a few days".

If you are getting rid of your old refrigerator, please follow the instructions below to help prevent accidents.

Before you throw away your old refrigerator or freezer:

- Take off the doors or remove the drawers.
- Leave the shelves in place so children may not easily climb inside.

# INSTALLING YOUR REFRIGERATOR

## Select Location

The proper location will ensure peak performance of your appliance. We recommend a location where the unit will be out of direct sunlight and away from heat sources. To ensure your product performs to specifications the recommended installation location temperature range is from 55 to 100°F (13 to 38°C).

## CAUTION

### Outdoor Installation

Only the 3OARM & 6AROM models are suitable for outdoor installations

Building codes may require a ground fault circuit interrupter electrical receptacle to supply electrical power to the refrigerator for outdoor applications, (see "Electrical Connection" section).

Do not install in a location where the unit will be exposed to direct sun exposure as this may result in unsatisfactory performance.

### Cabinet Clearance

Ventilation is required from the bottom front section of the unit. Keep this area open and clear of any obstructions. Adjacent cabinets and counter top can be installed around the unit as long as the front grille and remains unobstructed.

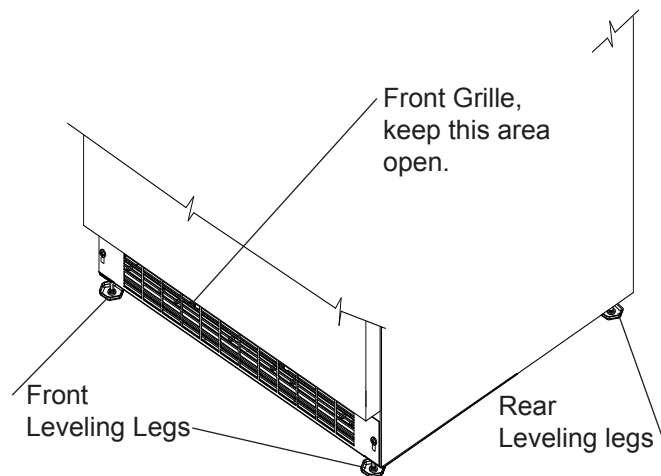


Figure 2

## CAUTION

### Front Grille

Do not obstruct the front grille. The openings within the front grille allow air to flow through the condenser heat exchanger. Restrictions to this air flow will result in increased energy usage and loss of cooling capacity. For this reason it is important this area to not be obstructed and the grille openings kept clean. AGA MARVEL does not recommend the use of custom made grilles as air flow may be restricted because of inadequate openings. (See Figure 2).

### Leveling Legs

Adjustable legs at the front and rear corners of the unit should be set so the unit is firmly positioned on the floor and level from side to side and front to back. The overall height of your Marvel refrigerator may be adjusted between the minimum (by turning the leveling leg in) and the maximum (by turning the leveling leg out) dimensions as shown in Table A.

To adjust the leveling legs, place the refrigerator on a solid surface and protect the floor beneath the legs to avoid scratching the floor. With the assistance of another person, lean the refrigerator back to access the front leveling legs. Raise or lower the legs to the required dimension by turning the legs. Repeat this process for the rear by tilting the refrigerator forward using caution to prevent the door from opening. On a level surface check the refrigerator for levelness and adjust accordingly.

The front grille screws may be loosened and the front grille adjusted to the desired height. When adjustment is complete tighten the front grille screws. (See Figure 3).

Model	Minimum Height	Maximum Height
30ARM,3OARM, 61ARM,6ADAM	33 3/4 (85.7cm)	34 3/4 (88.3cm)
6ARM,6ARCM 6AROM MPRO6ARM	33 7/8 (86.1cm)	34 7/8 (88.7cm)

Table A

## ELECTRICAL CONNECTION

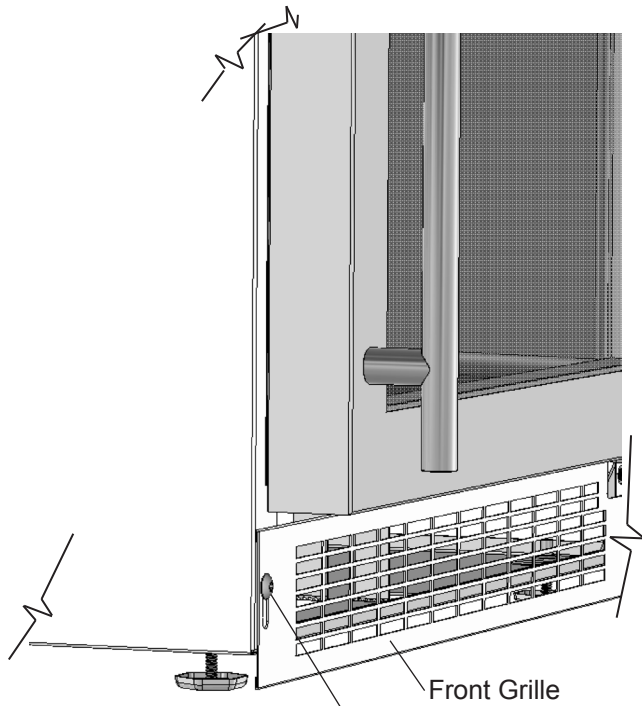


Figure 3

Front Grille

Front grille  
screw

### **⚠ WARNING**

- Do not splash or spray water from a hose on the refrigerator! Doing so may cause an electrical shock, which may result in severe injury or death.
- This unit should not, under any circumstances, be installed to an un-grounded electrical supply.

### Electrical Connection

A grounded 115 volt, 15 amp dedicated circuit is required.

This product is factory equipped with a power supply cord that has a three-pronged, grounded plug. It must be plugged into a mating grounding type receptacle in accordance with the National Electrical Code and applicable local codes and ordinances (see Figure 4). If the circuit does not have a grounding type receptacle, it is the responsibility and obligation of the customer to provide the proper power supply. The third ground prong should not, under any circumstances, be cut or removed.

### **⚠ CAUTION**

**Electrical Extension cords should not be used. They can**

**be hazardous and cause deficient operation. The wall receptacle should be located near the product and be a polarized type with adequate ground protection. The product must be installed to your local building codes and ordinances.**

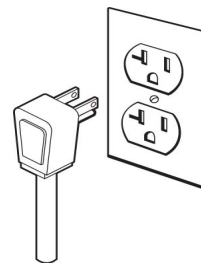
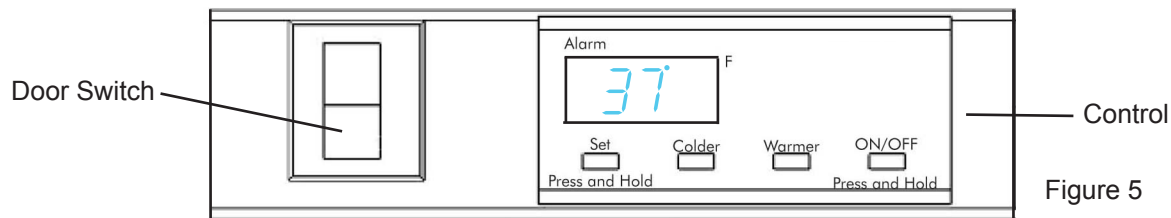


Figure 4

### **NOTE**

Ground Fault Circuit Interrupters (GFCI) are prone to nuisance tripping which will cause the unit to shut down. GFCI's are generally not used on circuits with powered equipment that must run unattended for long periods of time, unless required to meet local building codes and ordinances.

# USING YOUR MICROSENTRY™ REFRIGERATOR CONTROL



## Starting your refrigerator

Plug the refrigerator power cord into a wall outlet. Your refrigerator will begin cooling after power is applied.

If your refrigerator does not start, check that the refrigerator is turned on and the set temperature is cold enough.

## Turning your refrigerator ON or OFF

If the refrigerator is on, the refrigerator temperature will be shown on the display. To turn the refrigerator off, press and hold the "ON/OFF" button for three (3) seconds. "OFF" will appear on the display.

If the refrigerator is off, "OFF" will be shown on the display. To turn the refrigerator on, press and hold the "ON/OFF" button for three (3) seconds. The refrigerator temperature will be shown on the display.

## Set temperature

To set the refrigerator temperature, press and hold the "SET" button. When the "SET" button is pressed, the display will show the set temperature. While holding the "SET" button, press the "WARMER" or "COLDER" buttons to adjust set temperature.

## Refrigerator operation

The available temperature range of the refrigerator is as follows:

30ARM, 3OARM, 61ARM, and 6ADAM; 33° to 45°  
(1° to 7° C)

6ARM, 6ARCM, 6AROM, and MPRO6ARM; 35° to 43°  
(2° to 6° C)

It may take up to 24 hours for your refrigerator to reach desired temperature. This will depend on amount of content loaded and number of door opening and closings.

For best results allow refrigerator to "pull down" to desired set temperature before loading. Once contents are loaded, allow at least 48 hours for temperature to stabilize before making any adjustments to the set temperature.

## Alarms

Your MicroSentry™ refrigerator control will monitor refrigerator function and alert you with a series of audible and visual alarms.



- **Door Ajar Alarm:** If the door has been left open for over five (5) minutes, the alarm will sound in one (1) second intervals. The display panel will flash "do" and the Alarm LED located at the top left of the display below the word "Alarm" will be illuminated. This will stop as soon as the door is closed.

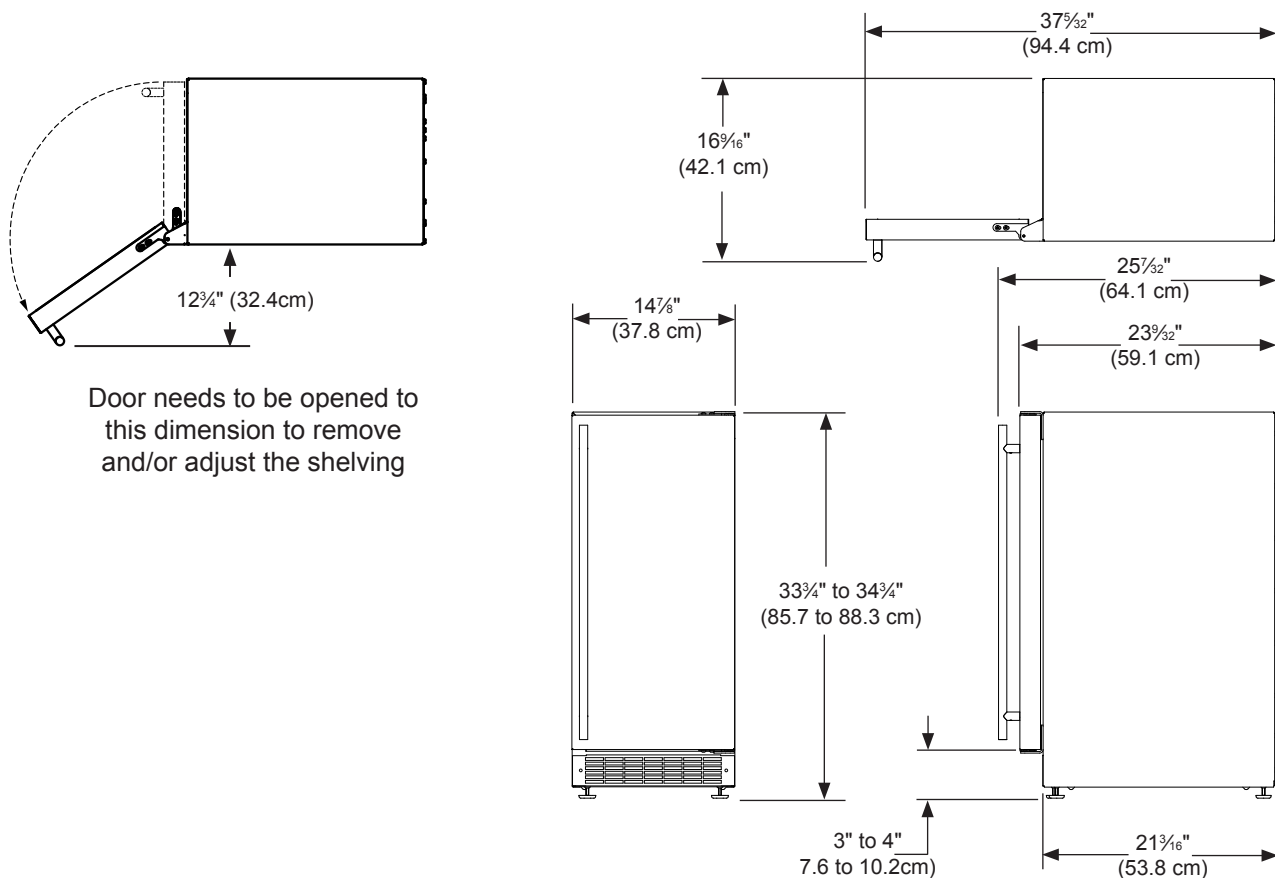


- **Temperature Sensor Fault:** If the controller detects that the temperature sensor is not properly functioning, a temperature sensor alarm will sound in one (1) second intervals. "E1" will flash on the display panel and the Alarm LED located at the top left of the display below the word "Alarm" will be illuminated. Please call AGA MARVEL Customer Service or your dealer if this error code is displayed.

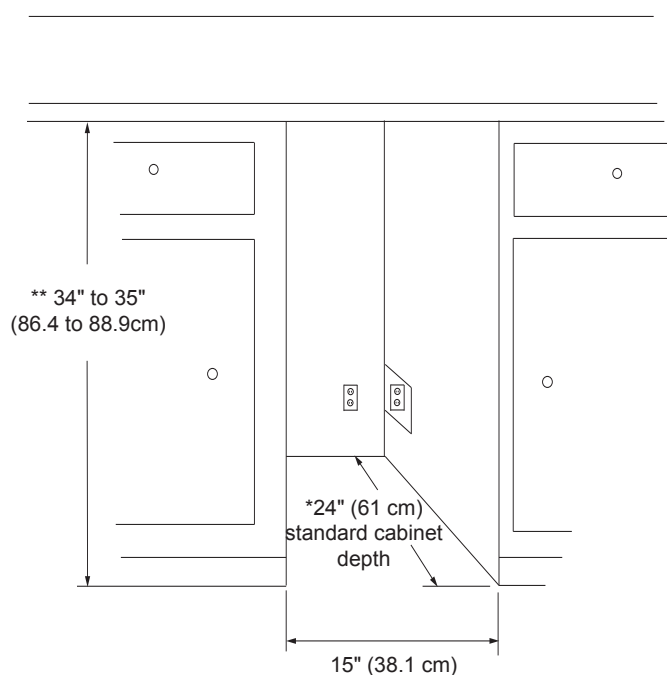
## Alarm Mute

Press any key to mute the audible portion of an alarm. NOTE-This action will only mute the alarm. If the condition that caused the alarm continues, the alarm code will continue to flash and will sound for 20 seconds every 60 minutes.

## DIMENSIONS FOR MODEL 30ARM



## RECOMMENDED ROUGH IN OPENING DIMENSIONS, MODEL 30ARM



### ⚠ CAUTION

Electrical Requirements: A grounded 115 volt, 15 amp dedicated circuit is required. A GFCI receptacle may be required for outdoor models.

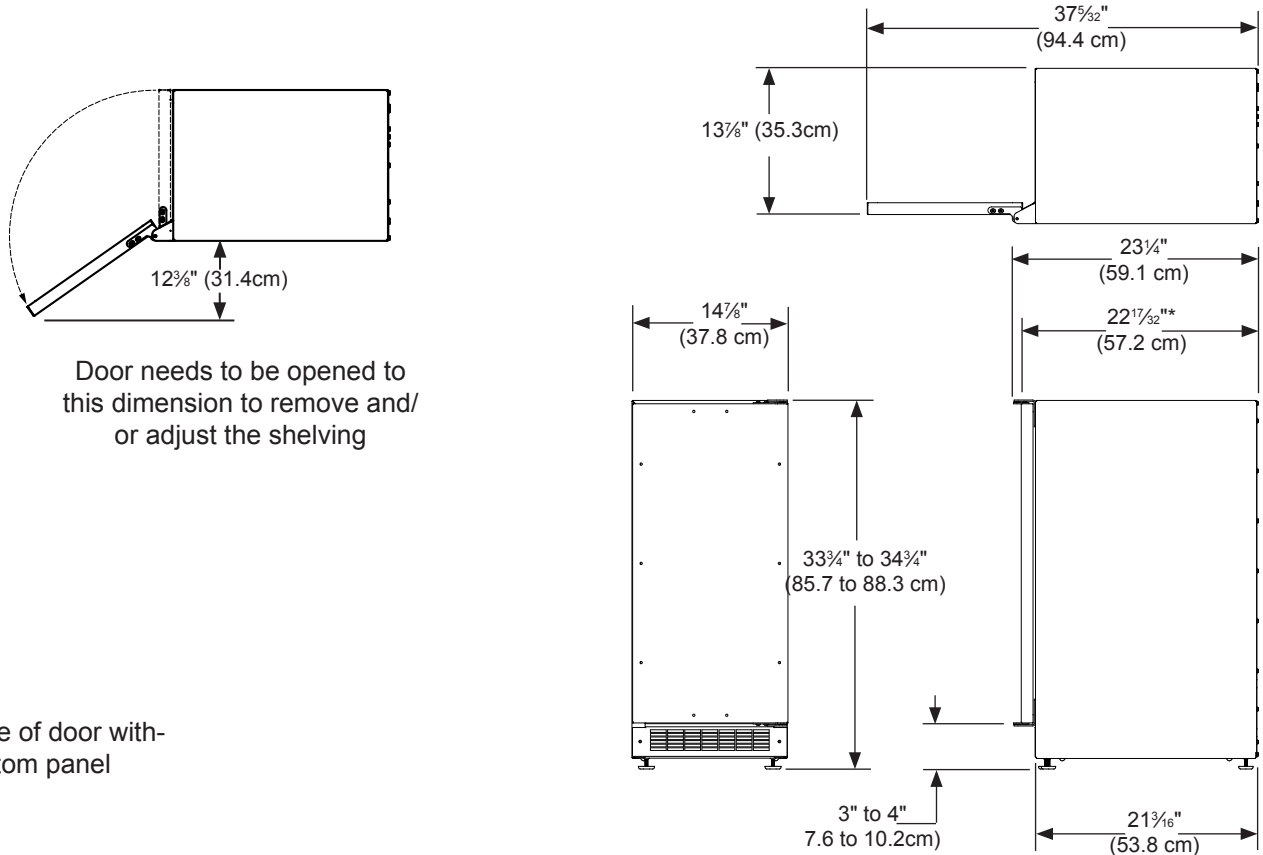
Power outlet can be located in the back wall behind unit. Add 1" to depth for thickness of plug, or recess outlet 1" into the wall. Power outlet can also be installed in adjacent cabinetry with a cutout for routing of power cord. Follow all local building codes when installing electrical and unit.

Product weight = 100 lbs. (45.4 kg.)

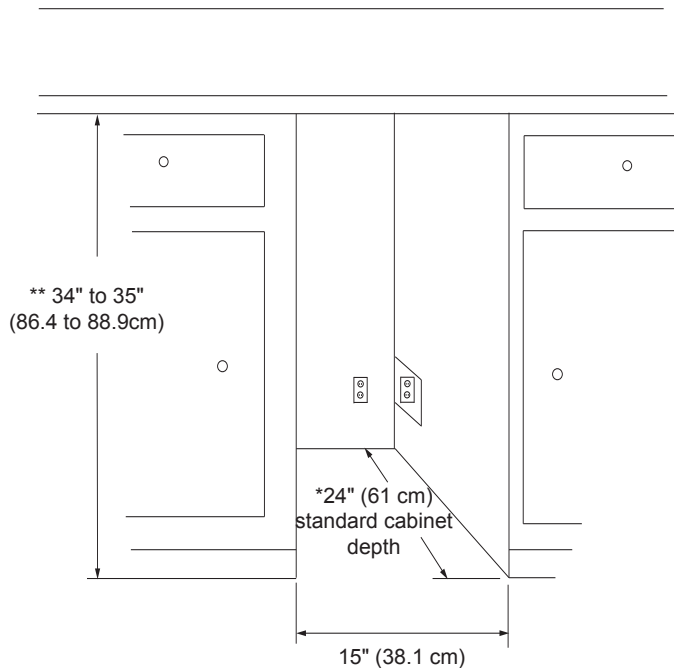
\* Depth dimension may vary depending on each individual installation.

\*\* Minimum rough in opening required is to be larger than the adjusted height of the cabinet.

## DIMENSIONS FOR MODEL 30ARM WITH OVERLAY DOOR



## RECOMMENDED ROUGH IN OPENING DIMENSIONS, MODEL 30ARM OVERLAY DOOR



### ⚠ CAUTION

Electrical Requirements: A grounded 115 volt, 15 amp dedicated circuit is required.

Power outlet can be located in the back wall behind unit. Add 1" to depth for thickness of plug, or recess outlet 1" into the wall. Power outlet can also be installed in adjacent cabinetry with a cutout for routing of power cord. Follow all local building codes when installing electrical and unit.

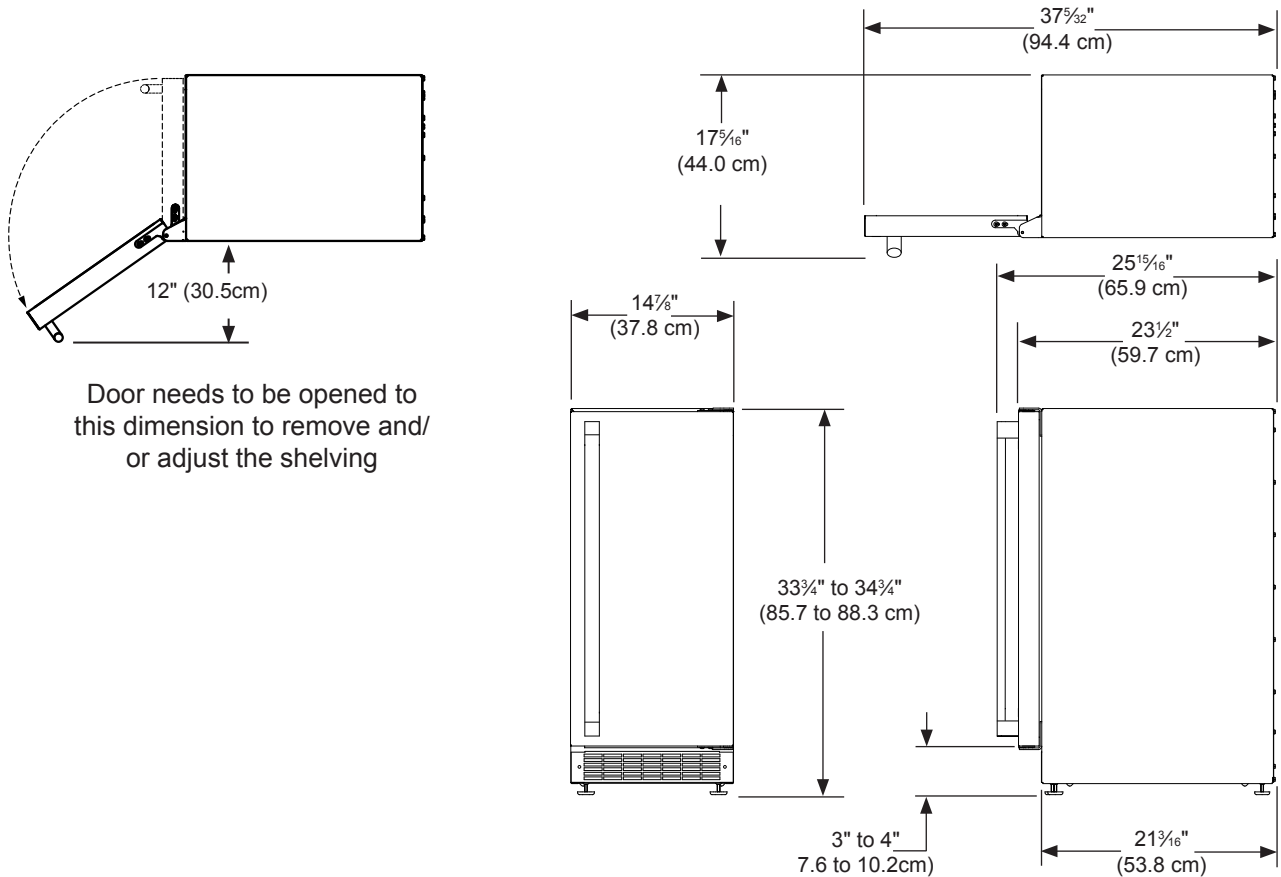
Product weight = 100 lbs. (45.4 kg.)

\* Depth dimension may vary depending on each individual installation.

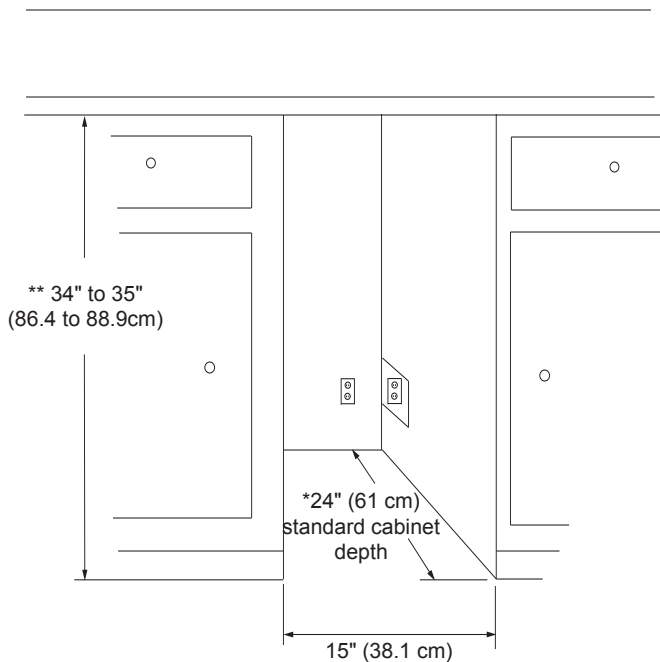
\*\* Minimum rough in opening required is to be larger than the adjusted height of the cabinet.



## DIMENSIONS FOR MODEL 3OARM



## RECOMMENDED ROUGH IN OPENING DIMENSIONS, 3OARM



### ⚠ CAUTION

Electrical Requirements: A grounded 115 volt, 15 amp dedicated circuit is required. A GFCI receptacle may be required for outdoor models.

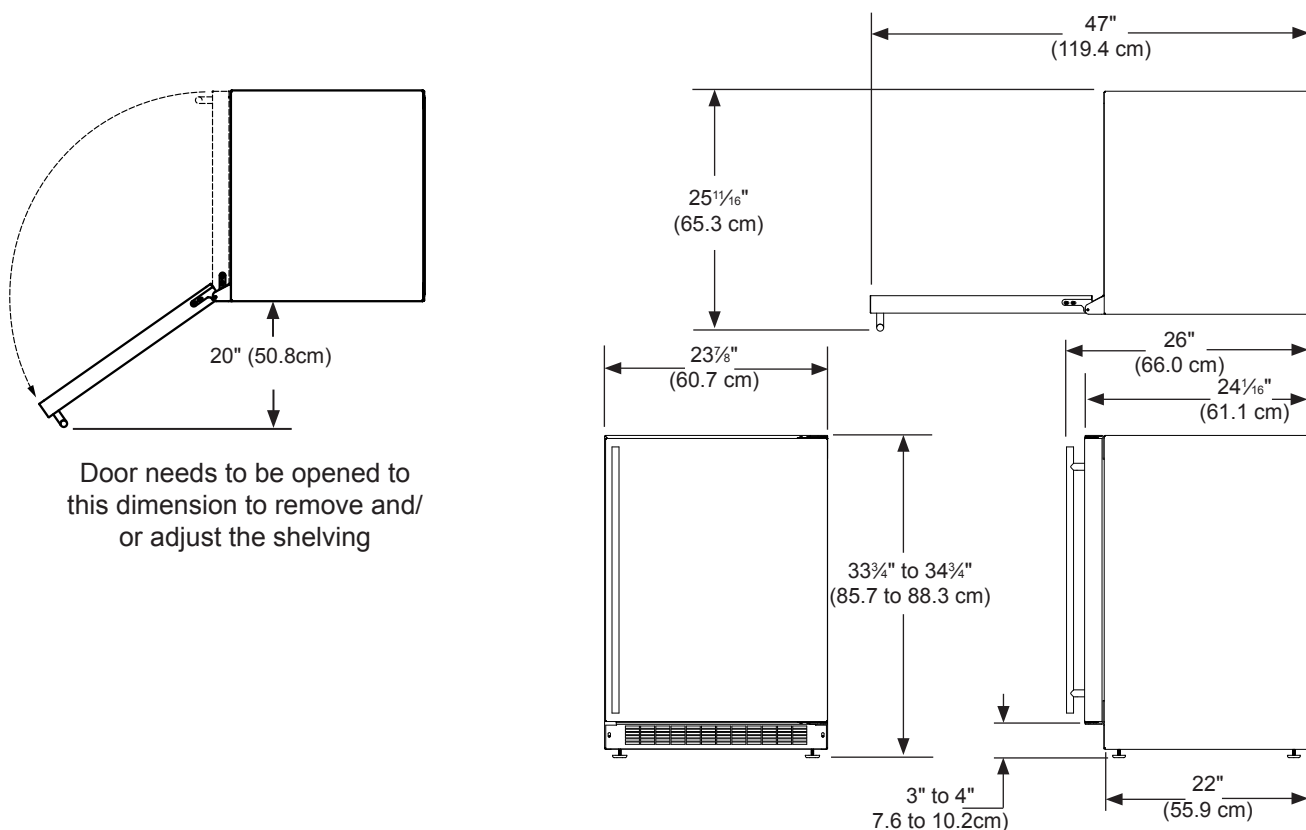
Power outlet can be located in the back wall behind unit. Add 1" to depth for thickness of plug, or recess outlet 1" into the wall. Power outlet can also be installed in adjacent cabinetry with a cutout for routing of power cord. Follow all local building codes when installing electrical and unit.

Product weight = 100 lbs. (45.4 kg.)

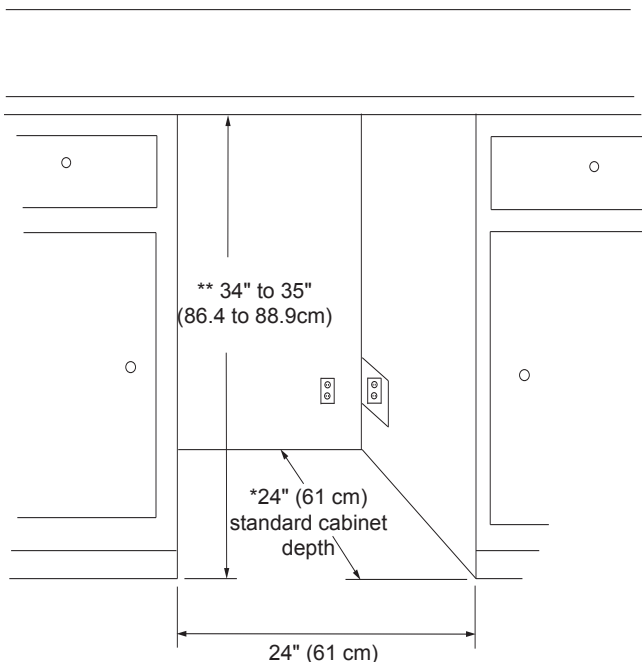
\* Depth dimension may vary depending on each individual installation.

\*\* Minimum rough in opening required is to be larger than the adjusted height of the cabinet.

## DIMENSIONS FOR MODEL 61ARM



## RECOMMENDED ROUGH IN OPENING DIMENSIONS, 61ARM



### ⚠ CAUTION

Electrical Requirements: A grounded 115 volt, 15 amp dedicated circuit is required. A GFCI receptacle may be required for outdoor models.

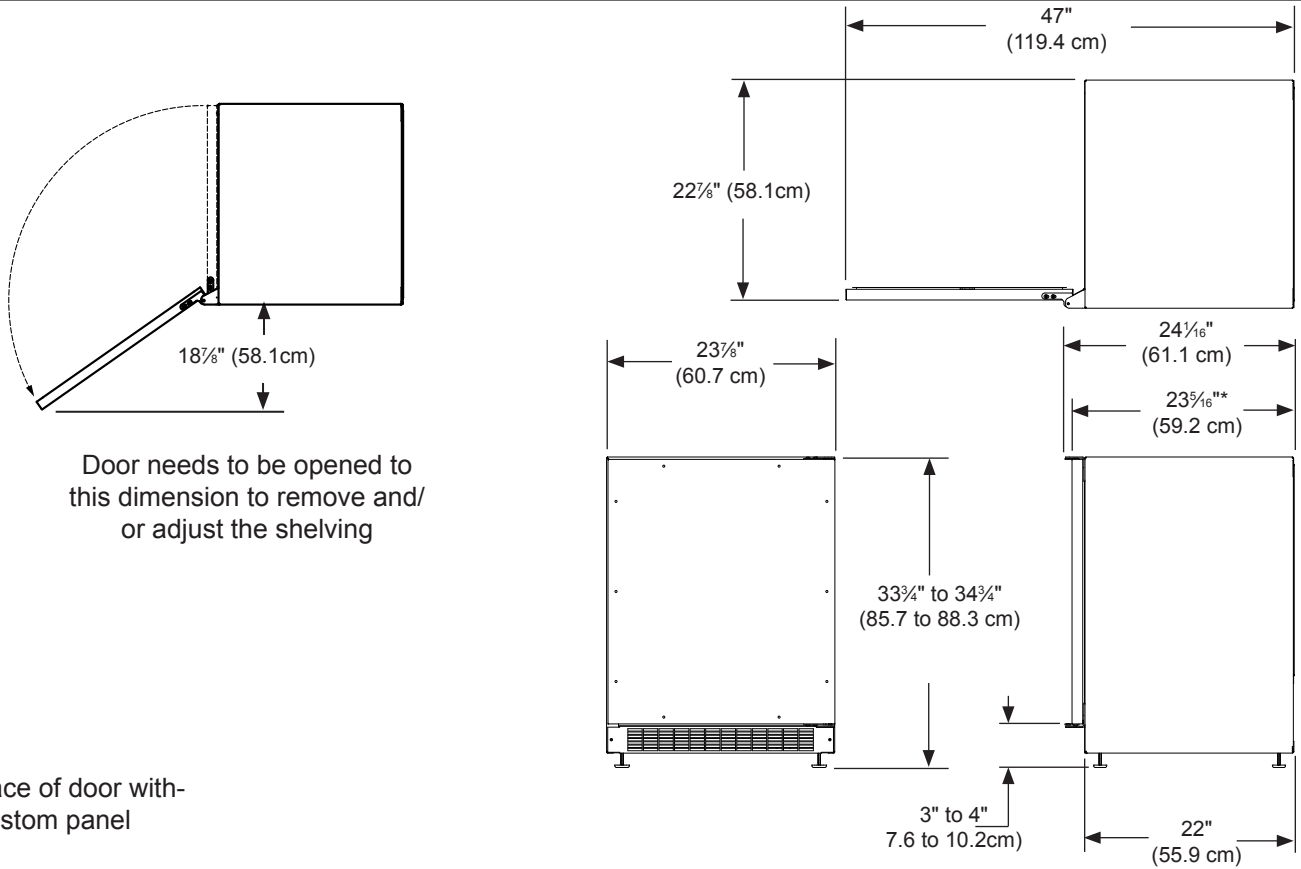
Power outlet can be located in the back wall behind unit. Add 1" to depth for thickness of plug, or recess outlet 1" into the wall. Power outlet can also be installed in adjacent cabinetry with a cutout for routing of power cord. Follow all local building codes when installing electrical and unit.

Product weight = 130 lbs. (59.1 kg.)

\* Depth dimension may vary depending on each individual installation.

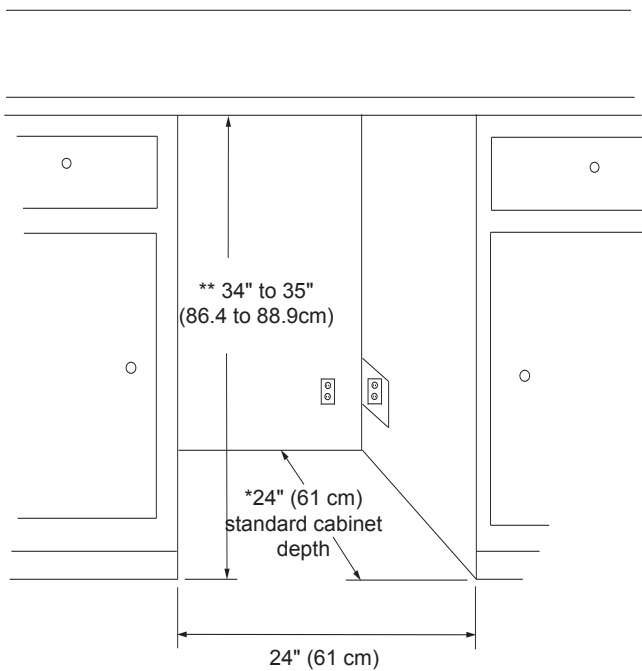
\*\* Minimum rough in opening required is to be larger than the adjusted height of the cabinet.

## DIMENSIONS FOR MODEL 61ARM WITH OVERLAY DOOR



\* To face of door without custom panel

### RECOMMENDED ROUGH IN OPENING DIMENSIONS, MODEL 61ARM OVERLAY DOOR



#### **⚠ CAUTION**

Electrical Requirements: A grounded 115 volt, 15 amp dedicated circuit is required.

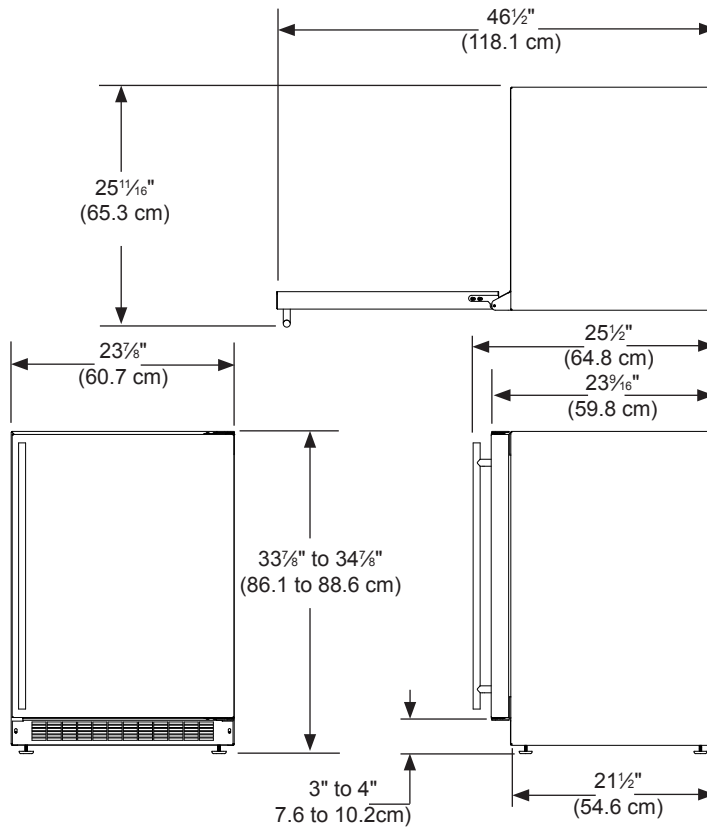
Power outlet can be located in the back wall behind unit. Add 1" to depth for thickness of plug, or recess outlet 1" into the wall. Power outlet can also be installed in adjacent cabinetry with a cutout for routing of power cord. Follow all local building codes when installing electrical and unit.

Product weight = 130 lbs. (59.1 kg.)

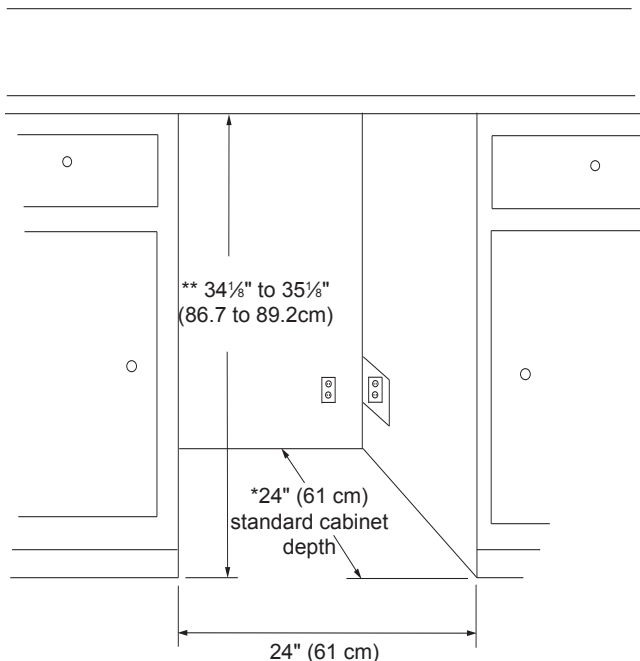
\* Depth dimension may vary depending on each individual installation.

\*\* Minimum rough in opening required is to be larger than the adjusted height of the cabinet.

## DIMENSIONS FOR MODEL 6ARM



## RECOMMENDED ROUGH IN OPENING DIMENSIONS, 6ARM



### ⚠ CAUTION

Electrical Requirements: A grounded 115 volt, 15 amp dedicated circuit is required. A GFCI receptacle may be required for outdoor models.

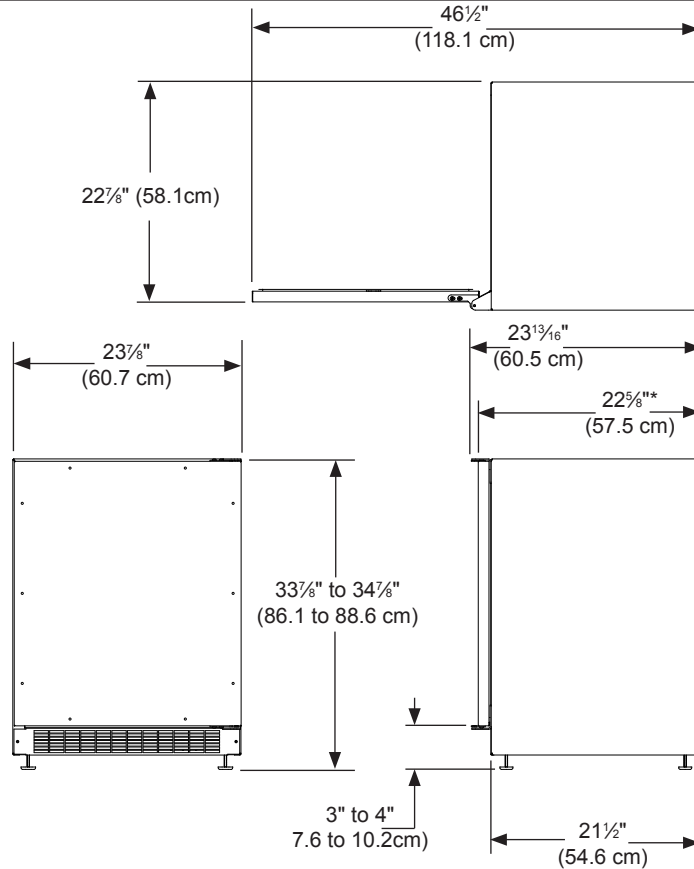
Power outlet can be located in the back wall behind unit. Add 1" to depth for thickness of plug, or recess outlet 1" into the wall. Power outlet can also be installed in adjacent cabinetry with a cutout for routing of power cord. Follow all local building codes when installing electrical and unit.

Product weight = 130 lbs. (59.1 kg.)

\* Depth dimension may vary depending on each individual installation.

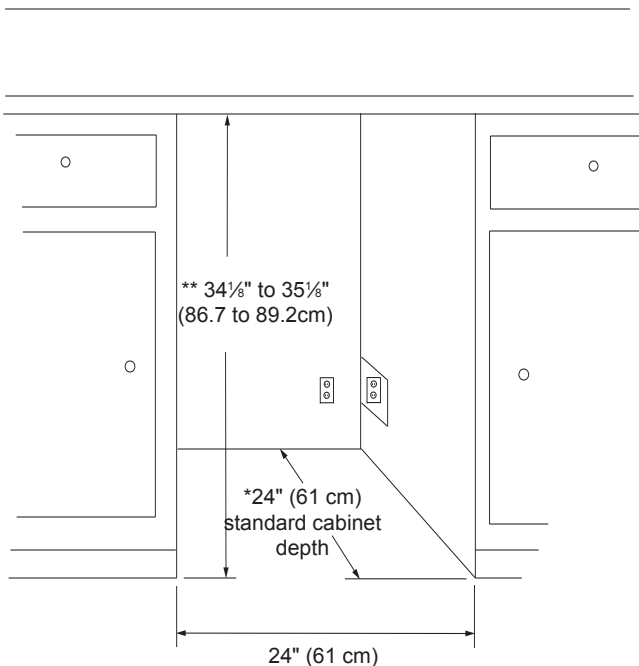
\*\* Minimum rough in opening required is to be larger than the adjusted height of the cabinet.

## DIMENSIONS FOR MODEL 6ARCM WITH OVERLAY DOOR



\* To face of door without custom panel

### RECOMMENDED ROUGH IN OPENING DIMENSIONS, MODEL 6ARCM OVERLAY DOOR



#### **⚠ CAUTION**

Electrical Requirements: A grounded 115 volt, 15 amp dedicated circuit is required.

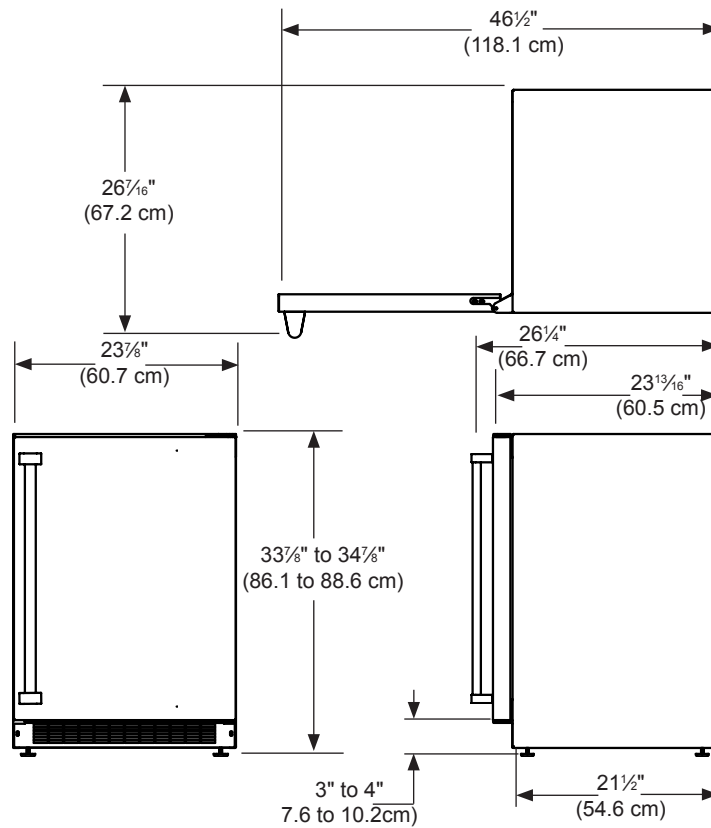
Power outlet can be located in the back wall behind unit. Add 1" to depth for thickness of plug, or recess outlet 1" into the wall. Power outlet can also be installed in adjacent cabinetry with a cutout for routing of power cord. Follow all local building codes when installing electrical and unit.

Product weight = 130 lbs. (59.1 kg.)

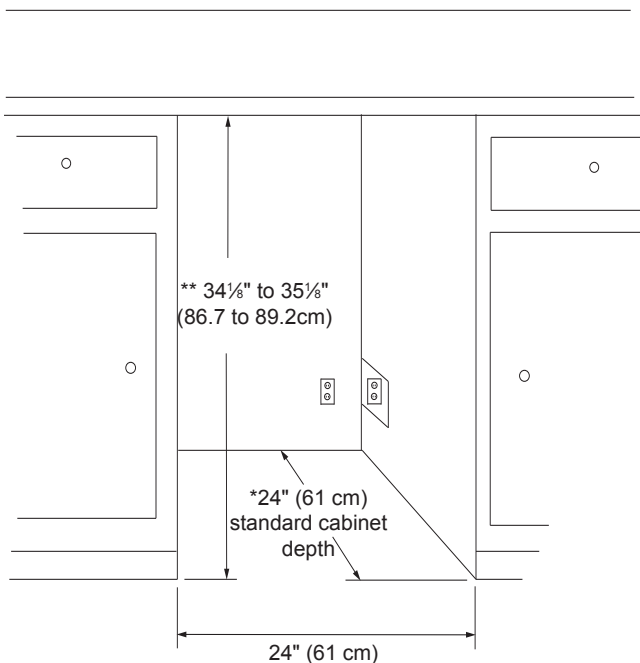
\* Depth dimension may vary depending on each individual installation.

\*\* Minimum rough in opening required is to be larger than the adjusted height of the cabinet.

## DIMENSIONS FOR MODELS 6AROM & MPRO6ARM



## RECOMMENDED ROUGH IN OPENING DIMENSIONS 6AROM & MPRO6ARM



### ⚠ CAUTION

Electrical Requirements: A grounded 115 volt, 15 amp dedicated circuit is required. A GFCI receptacle may be required for outdoor models.

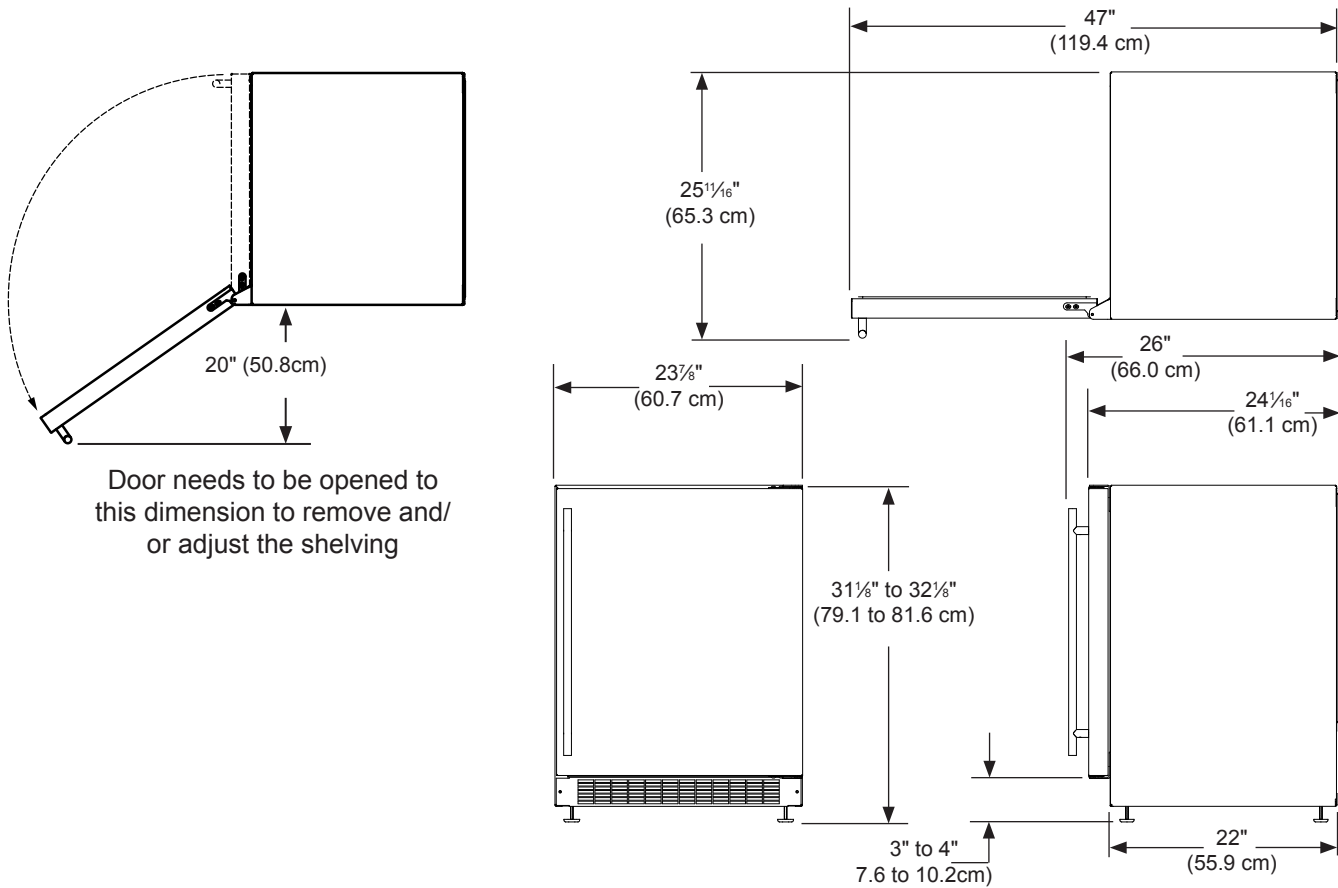
Power outlet can be located in the back wall behind unit. Add 1" to depth for thickness of plug, or recess outlet 1" into the wall. Power outlet can also be installed in adjacent cabinetry with a cutout for routing of power cord. Follow all local building codes when installing electrical and unit.

Product weight = 130 lbs. (59.1 kg.)

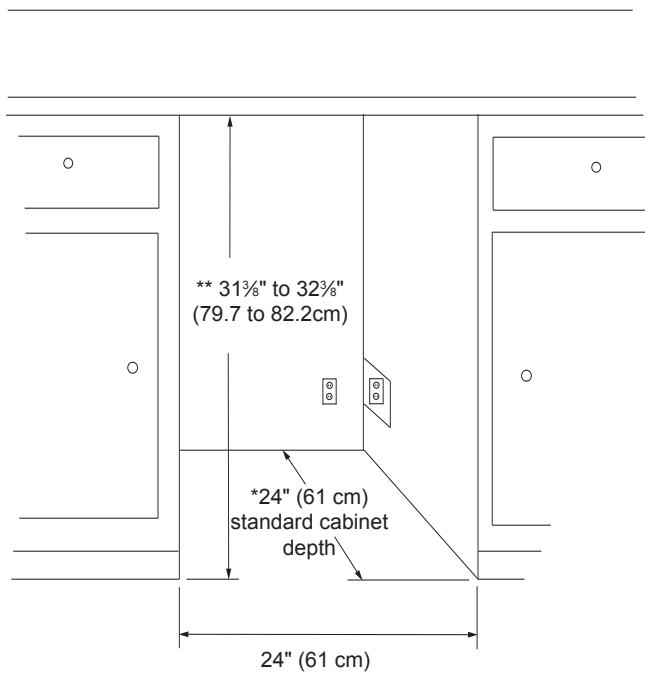
\* Depth dimension may vary depending on each individual installation.

\*\* Minimum rough in opening required is to be larger than the adjusted height of the cabinet.

## DIMENSIONS FOR MODEL 6ADAM



## RECOMMENDED ROUGH IN OPENING DIMENSIONS, MODEL 6ADAM



### ⚠ CAUTION

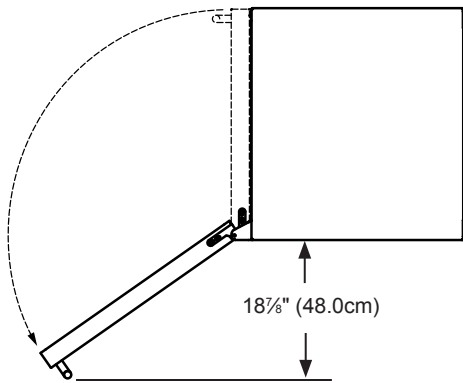
Electrical Requirements: A grounded 115 volt, 15 amp dedicated circuit is required.

Power outlet can be located in the back wall behind unit. Add 1" to depth for thickness of plug, or recess outlet 1" into the wall. Power outlet can also be installed in adjacent cabinetry with a cutout for routing of power cord. Follow all local building codes when installing electrical and unit. Product weight = 130 lbs. (59.1 kg.)

\* Depth dimension may vary depending on each individual installation.

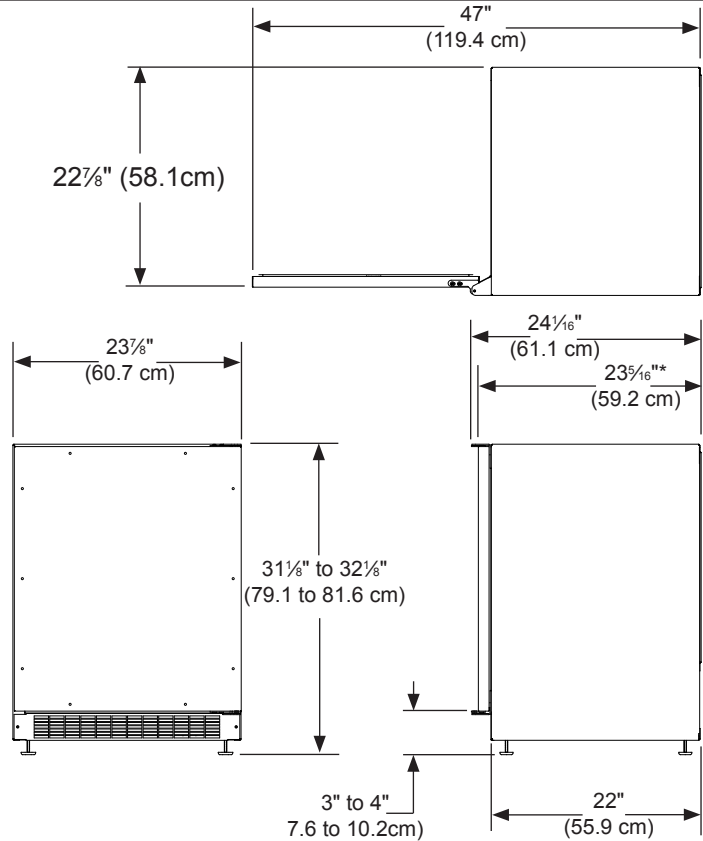
\*\* Minimum rough in opening required is to be larger than the adjusted height of the cabinet.

## DIMENSIONS FOR MODEL 6ADAM WITH OVERLAY DOOR

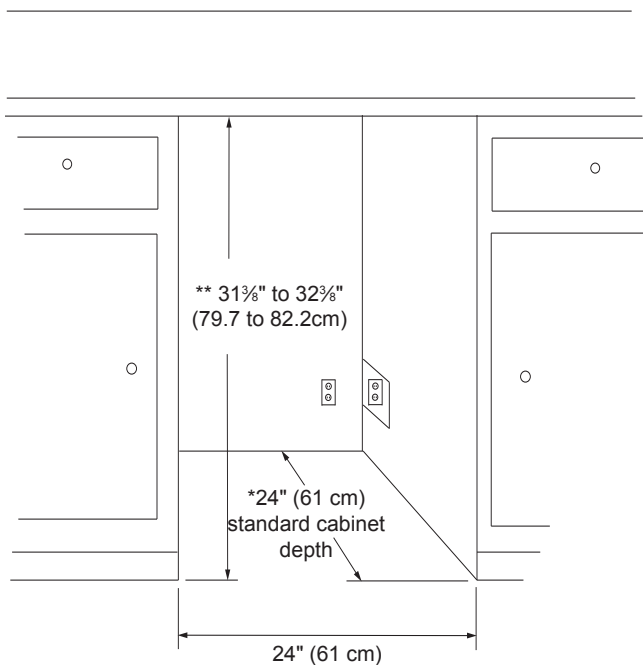


Door needs to be opened to this dimension to remove and/or adjust the shelving

\* To face of door without custom panel



## RECOMMENDED ROUGH IN OPENING DIMENSIONS, MODEL 6ADAM OVERLAY DOOR



### **⚠ CAUTION**

Electrical Requirements: A grounded 115 volt, 15 amp dedicated circuit is required.

Power outlet can be located in the back wall behind unit. Add 1" to depth for thickness of plug, or recess outlet 1" into the wall. Power outlet can also be installed in adjacent cabinetry with a cutout for routing of power cord. Follow all local building codes when installing electrical and unit. Product weight = 130 lbs. (59.1 kg.)

\* Depth dimension may vary depending on each individual installation.

\*\* Minimum rough in opening required is to be larger than the adjusted height of the cabinet.

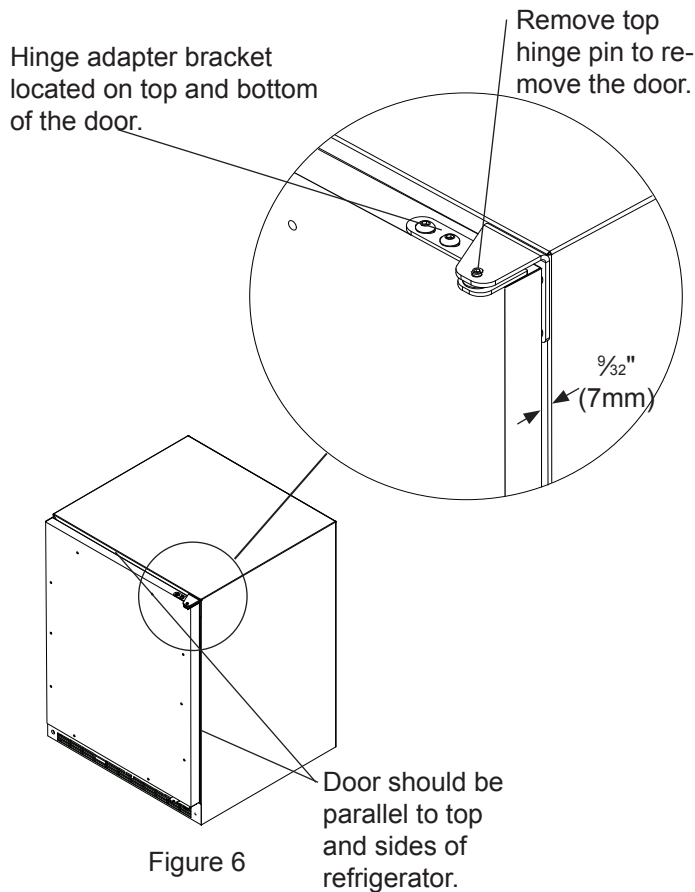


# FULL OVERLAY PANEL INSTALLATION INSTRUCTIONS

## ⚠ CAUTION

### Step 1: Verify door alignment

Verify that the door is aligned correctly with the cabinet prior to fabricating the custom panel. Failure to do so may result in mis-alignment of the custom panel with the hinge bracket. The door should be parallel to the sides and top of the refrigerator. If alignment is necessary the door may be adjusted by loosening the 2 screws which secure the top and/or bottom hinge adapter brackets located on the top and bottom of the door, and adjusting the door side to side. Use a  $\frac{5}{32}$ " allen wrench for this procedure. (See Figure 6 below). When finished aligning the door, tighten the screws securely.



### Step 2: Remove door

Remove the top hinge pin from the hinge with an  $\frac{1}{8}$ " allen wrench. Remove the door by angling the top of the door outward and lifting the door off the bottom hinge. (See detail in Figure 6).

### Step 3: Remove gasket

Lay the door on its front being careful not to scratch it. To gain access to the screw holes remove the door gasket by peeling up and out of the channel.

### Step 4: Cut overlay panel

Depending on the refrigerator model cut the overlay panel to the dimensions shown in Figure 7 and Table B below.

## NOTE

For overlay with lock option panel thickness to be  $\frac{3}{4}$ " (19mm) maximum to  $\frac{5}{8}$ " (16mm) minimum.

## ⚠ CAUTION

Weight of the overlay panel should not exceed 20 pounds (9.1 kilograms).

## NOTE

For the door to close properly, it is necessary to maintain a minimum space of  $\frac{9}{32}$ " (7mm) between the door and cabinet flange (See Figure 6). This space can be adjusted by adjusting the top and bottom hinge adapter brackets.

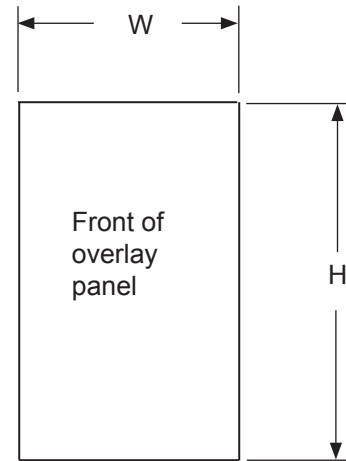


Figure 7

Model	W	H
<b>30ARM</b>	14 $\frac{5}{8}$ " (37.1cm)	30 $\frac{5}{16}$ " (77.0cm)
<b>6ARCM,61ARM</b>	23 $\frac{5}{8}$ " (60.0cm)	30 $\frac{5}{16}$ " (77.0cm)
<b>6ADAM</b>	23 $\frac{3}{8}$ " (60.0cm)	27 $\frac{1}{16}$ " (70.3cm)

Table B

### Step 5: Drill hinge clearance holes in overlay panel

Set the overlay panel on the door front, align the edges, and clamp together. Clamp the panel firmly but be careful not to damage the door or the panel. Mark center of hinge adapter hole on wood panel, top and bottom. (See Figure 8.) Remove wood panel from door and drill  $\frac{5}{16}$ " (8mm) diameter clearance holes into the overlay panels  $\frac{3}{4}$ " (20mm) deep. These will be clearance holes for the top and bottom hinge pins.

This is also a convenient time to locate and drill the holes for your handle. Most often the handle is to match that of

# FULL OVERLAY PANEL INSTALLATION INSTRUCTIONS

the surrounding cabinetry. If your handle attaches from the back-side of the custom panel, locate the mounting holes while the panel is attached to the door and cabinet. After the panel is removed from the door, drill the mounting holes from the front, to the recommended diameter of the handle manufacturer. Counter bore the back-side of the panel so the screw heads do not interfere with the surface of the door.

## Step 6: Drill panel mounting holes

Re-clamp the panel to the door per step 5 and drill the screw pilot holes for attaching the overlay panel to the door. Select the size of the hole from Table C. Be careful not to drill the pilot holes through the overlay panel,  $\frac{1}{2}$ " (12.7mm) deep for  $\frac{3}{4}$ " (19mm) and  $\frac{5}{8}$ " (15.7mm) panels.

Material Type	#8 Wood Screw
Hardwood	$\frac{1}{8}$ " (3.2mm) Diameter. Pilot Hole
Softwood	$\frac{7}{64}$ " (2.8mm) Diameter. Pilot Hole

Table C

### NOTE

If your refrigerator has a door lock proceed to Step 7. If your refrigerator does not have a door lock proceed to Step 9.

## Step 7: Mark and drill lock hole.

Locate and mark with a pencil the location of the lock hole on the overlay panel, this is the hole in the top corner of the handle side of the door. Remove the clamp and remove the overlay panel from the door. On the backside of the panel where you marked the lock location drill a  $\frac{13}{16}$ " (20.5mm) diameter counter bore  $\frac{7}{16}$ " (11.0mm) deep into the overlay panel. Drill a  $\frac{1}{2}$ " (12.0mm) diameter hole through the overlay panel centered on the counter bore being careful not to splinter the wood on the face side of the panel. (See Figure 10).

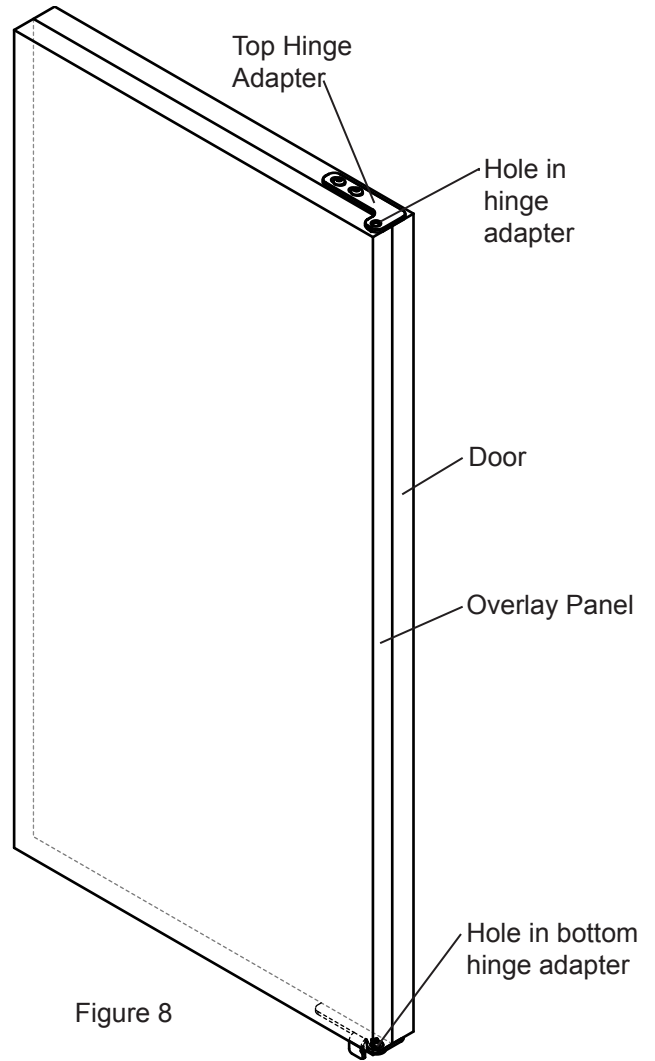


Figure 8

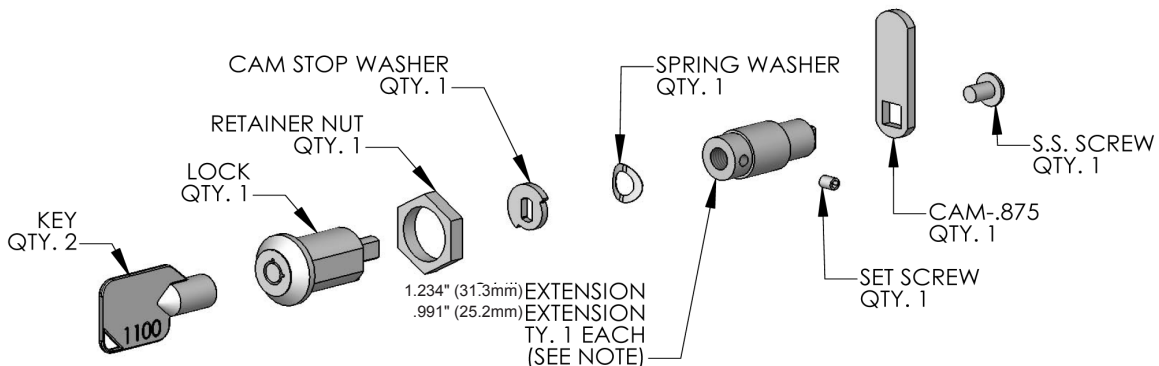


Figure 9

# FULL OVERLAY PANEL INSTALLATION INSTRUCTIONS

## Step 8: Assemble the lock parts

Two (2) lock extensions are supplied with the lock. Use the longer extension for a  $\frac{3}{4}$ " thick overlay panel and the shorter one for a  $\frac{5}{8}$ " thick panel. Assemble the lock extension, cam stop washer, spring washer, and set screw to the lock as shown in Figure 9 and 10.

Install this assembly into the overlay panel and secure with the retaining nut using a 15mm socket. Make sure the key slot in the lock is vertical.

## Step 9: Secure overlay panel to the door.

With the #10 wood screws provided, fasten the overlay panel to the door. (See Figure 12).

## Step 10: Install lock cam (Models with locks only).

Attach the lock cam to the back of the lock assembly with the phillips head machine screw provided. Orient the lock cam vertically when installing on the lock.

## Step 11: Install door gasket

Press the door gasket into the door channel. Make certain the gasket corners are fully inserted. If applicable insert the key into the lock and make certain the lock operates properly.

## Step 12: Install the door

Install the top and bottom hinge adapter bushings back into the hinge adapters that were removed in step 6. Install the door by reversing the procedure from step 2. Install the top hinge pin so the screw head is flush with the top surface of the hinge. If applicable insert key into lock and verify the lock cam works properly with the catch bracket on the front of the refrigerator cabinet.

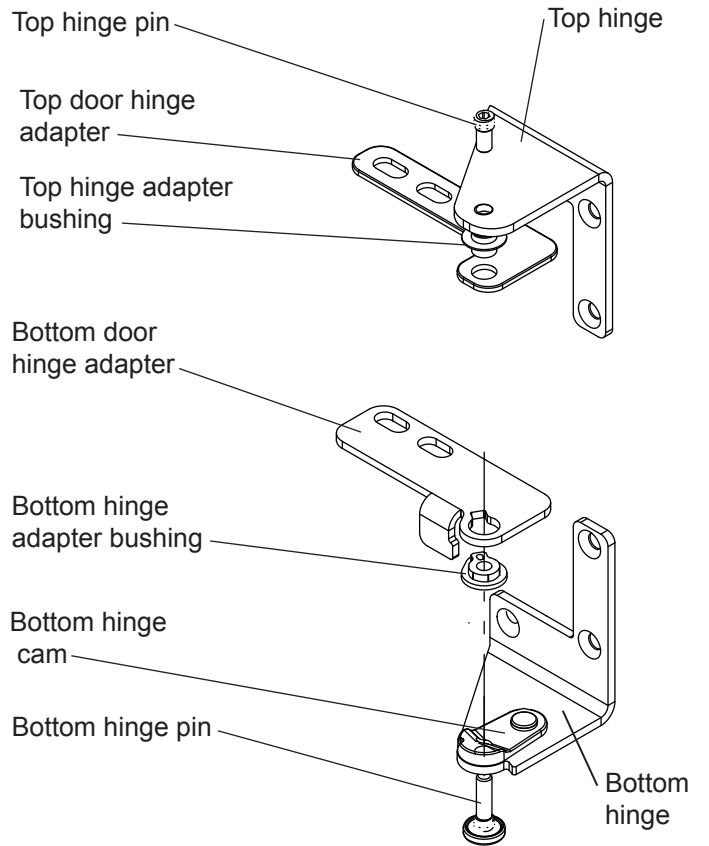


Figure 11  
Right hand  
hinges shown

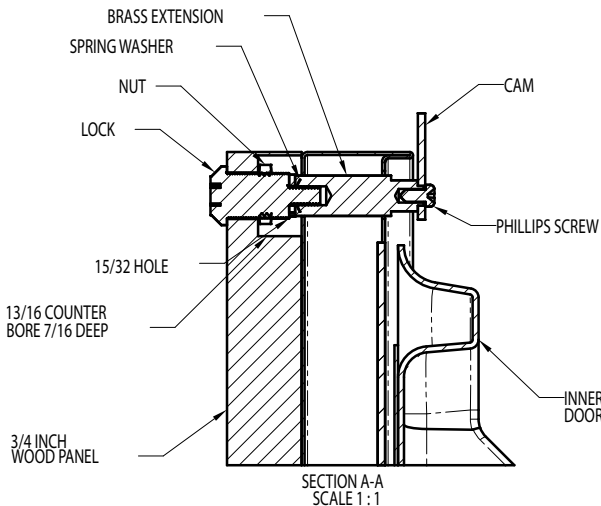


Figure 10

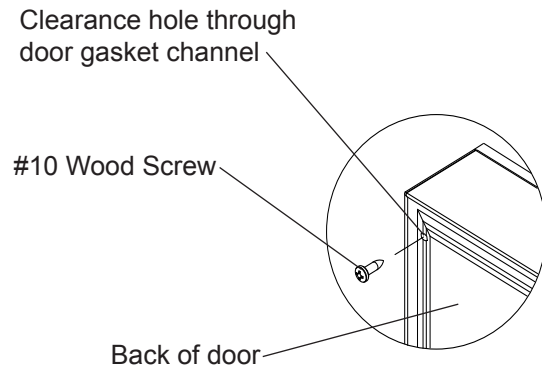


Figure 12

## ENERGY SAVING TIPS

---

### **The following suggestions will minimize the cost of operating your refrigeration appliance.**

1. Do not install your appliance next to a hot appliance (cooker, dishwasher, etc.), heating air duct, or other heat sources.
2. Install product out of direct sunlight.
3. Ensure the front grille vents at front of unit beneath door are not obstructed and kept clean to allow ventilation for the refrigeration system to expel heat.
4. Plug your appliance into a dedicated power circuit. (Not shared with other appliances).
5. When initially loading your new product, or whenever large quantities of warm contents are placed within refrigerated storage compartment, minimize door openings for the next 12 hours to allow contents to pull down to compartment set-point temperature.
6. Maintaining a relatively full storage compartment will require less appliance run time than an empty compartment.
7. Ensure door closing is not obstructed by contents stored in your appliance.
8. Allow hot items to reach room temperature before placing in product.
9. Minimize door openings and duration of door openings.
10. Use the warmest temperature control set-point that meets your personal preference and provides the proper storage for your stored contents.
11. Minimize use of display lighting option on glass door products, (light stays on with door closed).
12. When on vacation or away from home for extended periods, set the appliance to warmest acceptable temperature for the stored contents.
13. Set the control to the "off" position if cleaning the unit requires the door to be open for an extended period of time.

## CARE AND CLEANING

---

### Front Grille

Be sure that nothing obstructs the required air flow openings in front of the cabinet. At least once or twice a year, brush or vacuum lint and dirt from the front grille area (see page 4).

### Cabinet

The painted cabinet can be washed with either a mild soap and water and thoroughly rinsed with clear water. NEVER use abrasive scouring cleaners.

### Interior

Wash interior compartment with mild soap and water. Do NOT use an abrasive cleaner, solvent, polish cleaner or undiluted detergent.

### Care of Unit

1. Avoid leaning on the door, you may bend the door hinges or tip the unit.
2. Exercise caution when sweeping, vacuuming or mopping near the front of the unit. Damage to the grille can occur.
3. Periodically clean the interior of the unit as needed.
4. Periodically check and/or clean the front grille as needed.

### Light Bulb Replacement

#### **WARNING**

DISCONNECT THE POWER CORD BEFORE ATTEMPTING LIGHT BULB REPLACEMENT. Failure to do so may result in an electrical shock that could severely injure you.

The refrigerators use one, 25 watt incandescent light bulb to illuminate the interior. The light bulb is a very reliable electrical component, but should it not function properly, please call the dealer where you purchased your refrigerator for a replacement light bulb. Use only an original equipment light bulb from your dealer or AGA MARVEL.

#### **WARNING**

Do NOT under any circumstance use a light bulb that exceeds 25 watts!

To replace the light bulb, disconnect power to the unit. Unscrew the old light bulb located behind the display housing at the top of the unit. Set the old light bulb aside. Screw the new light bulb into place. Reconnect power to the unit. Check to see if the light bulb operates properly to complete the installation.

The light bulb is not covered by your warranty. A replacement bulb can be obtained from your dealer or from AGA MARVEL.

# TROUBLESHOOTING YOUR REFRIGERATOR

## Before You Call for Service

If the unit appears to be malfunctioning, read through this manual first. If the problem persists, check the troubleshooting guide below. Locate the problem in the guide and refer to the cause and its remedy before calling for service. The problem may be something very simple that can be solved without a service call. However, it may be required to contact your dealer or a qualified service technician.

## If Service is Required:

- If the product is within the first year warranty period please contact your dealer or call AGA MARVEL Customer Service at 800.223.3900 for directions on how to obtain warranty coverage in your area.
- If the product is outside the first year warranty period, AGA MARVEL Customer Service can provide recommendations of service centers in your area. A listing of authorized service centers is also available at [www.agamarvel.com](http://www.agamarvel.com) under the service and support section.

- In all correspondence regarding service, be sure to give the model number, serial number, (see page 3) located on your product's serial plate, and proof of purchase.
- Try to have information or description of nature of the problem, how long the unit has been running, the room temperature, and any additional information that may be helpful in quickly solving the problem.
- Table D is provided for recording pertinent information regarding your product for future reference.

For Your Records	
Date of Purchase	
Dealer's name	
Dealer's Address	
Dealer's City	
Dealer's State	
Dealer's Zip Code	
Appliance Serial Number	
Appliance Model Number	
Date Warranty Card Sent (Must be within 10 days of purchase).	

Table D

**WARNING**

**Electrocution Hazard** - Never attempt to repair or perform maintenance on the unit until the main electrical power has been disconnected. Turning the unit control "OFF" does not remove electrical power from the units wiring.

Problem	Possible Cause	Remedy
Unit not cold enough.  Adjust temperatures (See "Set the desired temperature" on page 6).	<ul style="list-style-type: none"> <li>• Control set too warm.</li> <li>• Content temperature not stabilized.</li> <li>• Excessive usage or prolonged door openings.</li> <li>• Airflow to front grille blocked.</li> <li>• Door gasket not sealing properly.</li> </ul>	<ul style="list-style-type: none"> <li>• Adjust temperature colder. Allow 24 hours for temperature to stabilize.</li> <li>• Allow temperature to stabilize for at least 24 hours.</li> <li>• Airflow must not be obstructed to front grille. See "clearances" on page 4.</li> <li>• Check door alignment and/or adjust or replace door gasket.</li> </ul>
Unit too cold.  Adjust temperatures (See "Set the desired temperature" on page 6).	<ul style="list-style-type: none"> <li>• Control set too cold.</li> <li>• Door gasket not sealing properly.</li> </ul>	<ul style="list-style-type: none"> <li>• Adjust temperature warmer. (See page 6, "set the desired temperature"). Allow 24 hours for temperature to stabilize.</li> <li>• Check door alignment and/or adjust or replace door gasket.</li> </ul>
No interior light in cabinet.	<ul style="list-style-type: none"> <li>• Light bulb burned out.</li> </ul>	<ul style="list-style-type: none"> <li>• Replace light bulb.</li> </ul>
Light will not go out when door is closed.	<ul style="list-style-type: none"> <li>• Door not activating light switch.</li> </ul>	<ul style="list-style-type: none"> <li>• Verify cabinet is level, refer to page 4 for leveling instructions.</li> <li>• Verify the door is aligned properly, refer to page 17 for instructions.</li> </ul>
Noise or Vibration.	<ul style="list-style-type: none"> <li>• Unit not level.</li> </ul>	<ul style="list-style-type: none"> <li>• Level unit, see "Leveling Legs" on page 4.</li> </ul>
Unit will not run.	<ul style="list-style-type: none"> <li>• Unit turned off.</li> <li>• Power cord not plugged in.</li> <li>• No power at outlet.</li> </ul>	<ul style="list-style-type: none"> <li>• Turn unit on. See "Start your Appliance" on page 6.</li> <li>• Plug in power cord.</li> <li>• Check house circuit.</li> </ul>

# HOUSEHOLD PRODUCT WARRANTY

---

## Entire Product

### Limited One Year Parts and Labor Warranty

AGA MARVEL warrants that it will supply all necessary parts and labor to repair or replace in the end user's home or office, any component which proves to be defective in material or workmanship, subject to the condition and exclusions stated below, for a period of one year from the date of purchase by the end user.

### Additional Second Through Fifth Year

#### Limited Parts Only Warranty

During the four years following expiration of the one year limited warranty, AGA MARVEL will supply replacement parts for the hermetically sealed refrigeration system which consists of the compressor, condenser, drier, accumulator, bypass valve, connecting tubing and the evaporator that are proven to be defective due to workmanship or materials subject to the conditions and exclusions below.

The above warranties do not cover:

- Shipping costs of replacement parts or returned defective parts.
- Customer education or instructions on how to use the appliance.
- Any content loss due to product failure.
- Removal or installation of product.

Nor do the above warranties cover failure of this product or its components due to:

- Transportation or subsequent damages.
- Commercial use or use other than normal household or small office.
- Improper installation, misuse, abuse, accident or alteration, use of wiring not conforming to electrical codes, low or high voltages, failure to provide necessary maintenance, or other unreasonable use.

## Parts or Service

### Not Supplied or Designated by AGA MARVEL

The above warranties also do not apply if:

- The original bill of sale, deliver date, or serial number cannot be verified.
- Defective parts are not returned for inspection if so requested by AGA MARVEL.
- The refrigeration equipment is not in the possession of the original end use purchaser.

The warranties set forth herein are the only warranties extended by AGA MARVEL. Any implied warranties, including the implied warranty of merchantability, are limited to the duration of these express warranties. In no event shall AGA MARVEL be liable for any consequential or incidental damages or expenses resulting from breach of these or any other warranties, whether express or implied.

Some states do not allow the exclusion or limitation of consequential damages or a limitation on how long an implied warranty lasts, so the above exclusion or limitation may not apply to you. This warranty gives you specific legal rights and you may have other rights that may vary from state to state.

No person, firm, or corporation is authorized to make any other warranty or assume any other obligation for AGA MARVEL. These warranties apply only to products used in any of the fifty states of the United States and the District of Columbia.

To obtain performance of this warranty, report any defects to:

**AGA MARVEL**  
1260 E. VanDeinse St.  
Greenville MI 48838

Phone: 800.223.3900



[www.agamarvel.com](http://www.agamarvel.com)

**AGA MARVEL**  
1260 E. VanDeinse St.  
Greenville MI 48838

800.223.3900

41012685-EN revE  
6/25/12

All specifications and product designs subject to change without notice. Such revisions do not entitle the buyer to corresponding changes, improvements, additions, replacements or compensation for previously purchased products.



# Instructions d'installation, d'utilisation et d'entretien

Réfrigérateurs

**30ARM (Marvel)**

**61ARM (Marvel)**

**3OARM (Extérieur)**

**6ADAM (Marvel)**

**6ARM (Marvel)**

**6ARCM (Marvel)**

**6AROM (Extérieur)**

**MPRO6ARM (professionnel)**



# CONTENU

Déballage de votre réfrigérateur.....	3
Enlèvement de l'emballage.....	3
Enregistrement de la garantie.....	3
Installation de votre réfrigérateur.....	4
Choix de l'emplacement.....	4
Installation à l'extérieur.....	4
Écartements pour l'armoire.....	4
Pieds de mise à niveau.....	4
Raccordement électrique.....	5
Utilisation de votre contrôle de réfrigération	
MicroSentry™.....	6
Démarrage de votre réfrigérateur.....	6
Mise en marche et à l'arrêt de votre réfrigérateur.....	6
Fixation de consigne de température.....	6
Fonctionnement du réfrigérateur.....	6
Alertes.....	6
Mise en sourdine de l'alarme.....	6
Dimensions des modèles 30ARM.....	7
Dimensions brutes d'ouverture recommandées	
pour modèles 30ARM.....	7
Dimensions pour porte à revêtement de modèle 30ARM.....	8
Dimensions brutes d'ouverture recommandées	
pour porte à revêtement de modèle 30ARM.....	8
Dimensions des modèles 3OARM.....	9
Dimensions brutes d'ouverture recommandées	
pour modèles 3OARM.....	9
Dimensions des modèle 61ARM.....	10
Dimensions brutes d'ouverture recommandées pour	
modèle 61ARM.....	10
Dimensions pour porte à revêtement de modèle 61ARM.....	11
Dimensions brutes d'ouverture recommandées	
pour porte à revêtement de modèle 61ARM.....	11
Dimensions des modèle 6ARM.....	12
Dimensions brutes d'ouverture recommandées pour	
modèle 6ARM.....	12
Dimensions pour porte à revêtement de modèle 6ARCM.....	13
Dimensions brutes d'ouverture recommandées	
pour porte à revêtement de modèle 6ARCM.....	13
Dimensions des modèles 6AROM et MPRO6ARM.....	14
Dimensions brutes d'ouverture recommandées pour	
modèles 6AROM et MPRO6ARM.....	14
Dimensions pour modèle 6ADAM.....	15
Dimensions brutes d'ouverture recommandées	
pour modèle 6ADAM.....	15
Dimensions pour porte à revêtement de modèle 6ADAM.....	16
Dimensions brutes d'ouverture recommandées	
pour porte à revêtement de modèle 6ADAM.....	16

Instructions d'installation de panneau de revêtement complet.....	17
Conseils pour les économies d'énergie.....	20
Entretien et nettoyage.....	21
Guide de dépannage.....	22
Obtention de service.....	22
Garantie de produit à usage domestique.....	23

## Importantes instructions de sécurité

Les avertissements et les instructions de sécurité qui apparaissent dans ce guide n'ont pas la prétention de couvrir toutes les conditions et situations possibles pouvant arriver. Il faut faire preuve de bon sens, de précautions et de soins, pour installer, utiliser ou entretenir cet appareil.

## Reconnaissance des symboles, des mots et des étiquettes concernant la sécurité.

### AVERTISSEMENT

**AVERTISSEMENT** – Dangers ou pratiques dangereuses avec une forte probabilité de blessures corporelles et/ou de dommages pour le produit.

### ATTENTION

**ATTENTION**-Risques ou pratiques dangereuses pouvant entraîner des blessures individuelles, des dégâts matériels ou des dommages au produit.

### REMARQUE

**REMARQUE** - Information importante pour réaliser une installation et une utilisation sans problèmes.



**AGA MARVEL** s'engage à fabriquer un produit de qualité d'une manière ne nuisant pas à l'environnement. Nos procédés sont sévèrement contrôlés et surveillés de près. Nous avons obtenu les certifications ISO 9001 d'assurance qualité, et ISO 14001 de gestion environnementale, et OHSAS 18001 pour hygiène et sécurité du travail de Lloyd's Register Quality Assurance.

# DÉBALLAGE DE VOTRE RÉFRIGÉRATEUR

## Enlèvement de l'emballage intérieur

Votre réfrigérateur a été emballé pour l'expédition avec toutes les pièces pouvant être endommagées par le mouvement solidement attachées. Enlevez les matériaux d'emballage intérieur et toute bande maintenant des composants intérieurs en place. Le manuel de l'utilisateur est envoyé à l'intérieur de l'appareil dans un sac en plastique, accompagné de la carte d'enregistrement de la garantie.

## Important

Conservez votre carton et l'emballage jusqu'à ce que votre réfrigérateur ait été complètement inspectée et trouvée en bon état. S'il présentait des dommages, cet emballage serait nécessaire comme preuve qu'ils sont survenus durant le transit. Ensuite veuillez mettre toutes les parties de l'emballage au rebut de façon responsable, en particulier les sacs en plastique qui constituent un danger d'étouffement.

## Note pour le client

Cette marchandise a été soigneusement et complètement inspectée avant de quitter notre usine. La responsabilité pour sa livraison sûre a été assumée par le revendeur à l'acceptation de cette expédition. Les réclamations pour perte ou dommages survenus durant le transit sont à adresser au revendeur.

NE RENVOYEZ PAS DE MARCHANDISE ENDOMMAGÉE AU FABRICANT – DÉPOSEZ UNE RÉCLAMATION AUPRÈS DU REVENDEUR.

## ⚠ ATTENTION

Si l'appareil a été livré étant sur le dos, ou y est resté pendant une durée quelconque, laissez le réfrigérateur reposer debout pendant au moins 24 heures avant de la brancher électriquement. Cela assurera le retour de l'huile au compresseur. Un branchement immédiat du réfrigérateur pourrait endommager des parties internes.

## Enregistrement de la garantie

Il est important que vous postiez votre carte de garantie immédiatement après avoir pris livraison de votre réfrigérateur.

Les informations suivantes seront nécessaires au moment de l'enregistrement de votre appareil :

Référence de modèle  
Numéro de série  
Date d'achat  
Nom et adresse du revendeur

La référence de modèle et le numéro de série se trouvent sur la plaque signalétique qui est située à l'intérieur de l'armoire, du côté gauche près du haut (Voir la Figure 1).

<b>MARVEL</b>					
GREENVILLE, MICHIGAN 48838					
MODEL NO.		REV.	SERIAL NO.		
XXXXXXXX		□	XXXXXXXX		
VOLTS	□	HZ	□	PH	□
				BTU/HR	□
					AMPS □
R 134A	□	OZ	TEST PRESSURE		PSI LOW SIDE PSI HIGH SIDE

Figure 1

## ⚠ ATTENTION

### Contribuez à éviter des tragédies

L'emprisonnement d'enfants et leur asphyxie ne sont pas des problèmes du passé. Des épaves de réfrigérateurs abandonnés continuent de présenter un danger - même en restant dehors pour "juste quelques jours".

Si vous devez vous débarrasser de votre vieil appareil de refroidissement, veuillez suivre ces instructions pour aider à éviter des accidents possibles.

Avant de jeter votre vieux réfrigérateur ou congélateur :

- Démontez ses portes ou enlevez ses tiroirs.
- Laissez les étagères en place de façon à ce que des enfants ne puissent pas facilement monter dedans.

# INSTALLATION DE VOTRE RÉFRIGÉRATEUR

## Choix de l'emplacement

Un bon emplacement assurera une performance de pointe pour votre appareil. Nous recommandons un endroit où l'unité ne sera pas exposée directement au rayonnement solaire et restera écartée de sources de chauffage. Pour assurer que les performances de votre produit soient au niveau de ses spécifications, la plage de températures recommandée au lieu d'installation sera de 55 à 100°F (13 à 38 °C).

## ⚠ ATTENTION

### Installation à l'extérieur

Seuls les modèles 3OARM et 6AROM conviennent à des installations à l'extérieur.

Les normes de construction peuvent exiger une prise secteur avec disjoncteur sur fuite à la terre pour fournir l'alimentation du réfrigérateur installé à l'extérieur (consultez la section "Raccordement électrique").

Ne faites pas l'installation dans un environnement où l'appareil serait exposé au rayonnement solaire direct, car cela nuirait à sa bonne performance.

### Écartements par rapport à l'armoire

Une ventilation est nécessaire depuis la section frontale du bas de l'appareil. Gardez cette zone libre et exempte de toutes obstructions. Des meubles et comptoirs peuvent être installés autour de l'appareil de façon adjacente dans la mesure où l'accès à sa grille et sa porte restera non obstrué.

## ⚠ ATTENTION

### Grille frontale

N'obstruez pas la grille frontale. Les ouvertures au travers de la grille frontale permettent l'écoulement de l'air par l'échangeur thermique du condenseur. Des restrictions de ce flux d'air vont augmenter la consommation d'énergie et affecter sa capacité de refroidissement. C'est pourquoi il est important que cette zone ne soit pas obstruée et soit maintenue propre. AGA MARVEL recommande de ne pas utiliser de grilles personnalisées, car l'écoulement d'air en serait diminué du fait d'ouvertures insuffisantes (Voir la Figure 2).

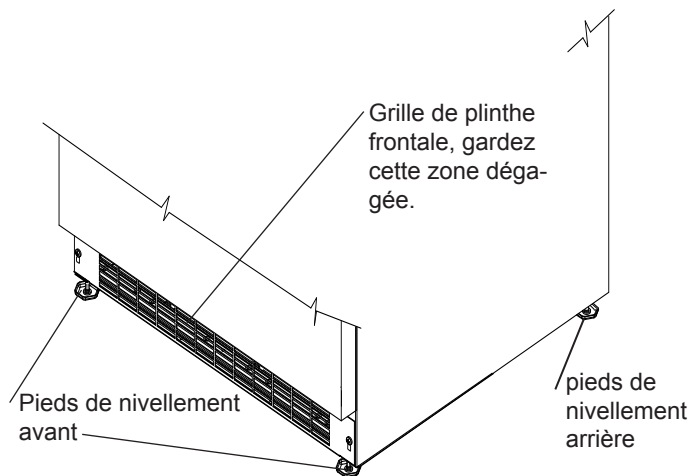


Figure 2

## Pieds de mise à niveau

Des pieds réglables aux angles avant et arrière de l'appareil doivent être ajustés pour qu'il soit fermement positionné au sol et bien d'aplomb, d'un côté à l'autre et d'avant en arrière. La hauteur totale de votre réfrigérateur Marvel peut être ajustée entre le minimum (en tournant le pied de nivellement dans) et le maximum (en tournant le pied de nivellement sur) les dimensions comme indiqué dans le tableau A.

Pour régler ces pieds de mise à niveau, placez l'appareil sur une surface solide, en protégeant le sol en dessous pour ne pas le rayer. Avec l'aide d'une autre personne, inclinez vers l'arrière du réfrigérateur pour accéder aux pieds de mise à niveau de l'avant. Levez ou abaissez ces pieds à la hauteur requise en les tournant. Répétez le processus pour l'arrière en basculant l'appareil vers l'avant en faisant attention à ce que la porte ne s'ouvre pas. Sur une surface plane, vérifiez le niveau de l'appareil et ajustez les pieds en conséquence.

Les vis de la grille frontale (grille de plinthe) peuvent être desserrées et la grille ajustée à la hauteur voulue. Quand le réglage est fait resserrez les vis de la grille de plinthe (Voir la Figure 3).

Modèle	Minimum Hauteur	Maximum Hauteur
3OARM,3OARM, 61ARM,6ADAM	33 ¾ (85.7cm)	34 ¾ (88.3cm)
6ARM,6ARCM 6AROM MPRO6ARM	33 7/8 (86.1cm)	34 7/8 (88.7cm)

Tableau A

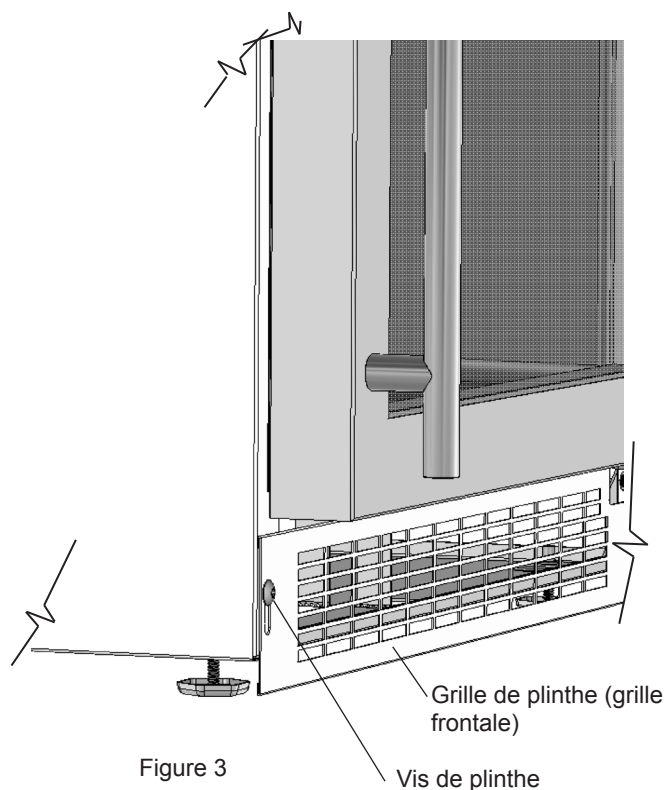


Figure 3

# RACCORDEMENT ÉLECTRIQUE

---

## ⚠ ATTENTION

- N'envoyez pas d'eau par éclaboussure ou par jet d'un tuyau sur le réfrigérateur! Cela pourrait causer une commotion électrique, entraînant potentiellement des blessures graves voire mortelles.
- Cet appareil ne doit sous aucun prétexte être installé sur une alimentation électrique sans liaison de terre.

## Raccordement électrique

Un circuit secteur dédié en 115 V supportant 15 A est nécessaire.

Ce produit est équipé en usine d'un cordon secteur comportant une fiche avec terre à trois broches. Il faut la brancher dans une prise secteur correspondante avec terre, en conformité avec la norme électrique américaine et les normes et réglementations locales applicables (Voir la Figure 4). Si le circuit ne comporte pas une prise avec terre, le client doit en fournir une adéquate, c'est sa responsabilité. La troisième broche de terre ne doit en aucun cas être coupée ou enlevée.

## ⚠ ATTENTION

Des rallonges de cordon électrique ne doivent pas être utilisées. Elles peuvent être dangereuses et causer un mauvais fonctionnement. La prise murale doit être située près de la machine à glaçons et être de type polarisé avec une bonne terre de protection. La machine à glaçons doit être installée en conformité avec vos normes de construction et réglementations locales.

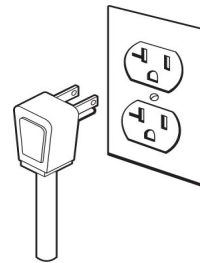


Figure 4

Cet appareil doit être installé en conformité avec vos normes de construction et réglementations locales.

## REMARQUE

Un disjoncteur sur détection de courant de fuite (GFCI) provoque des déclenchements intempestifs qui arrêtent l'appareil. Ce type de protection n'est en général pas utilisé sur de l'équipement électrique qui doit tourner sans surveillance pendant de longues périodes, sauf si c'est imposé par les normes de construction et réglementations locales.

# UTILISATION DE VOTRE CONTRÔLE DE REFROIDISSEMENT MICROSENTRY™

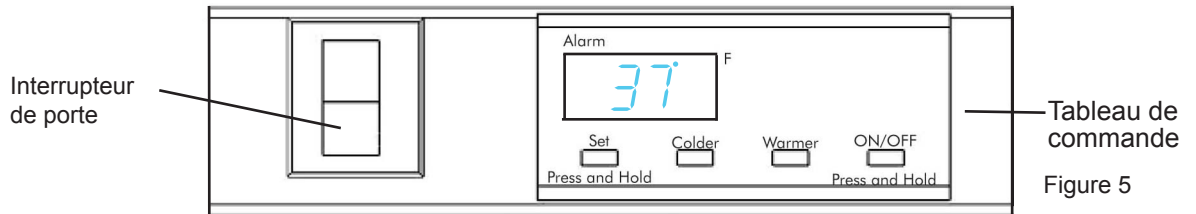


Figure 5

## Démarrage de votre réfrigérateur

Branchez la prise du cordon d'alimentation du réfrigérateur dans une prise murale. Votre réfrigérateur commencera à refroidir une fois qu'il est sous tension.

Si votre réfrigérateur ne démarre pas, vérifiez qu'il est bien en marche (ON) et que la consigne de température est suffisamment basse.

## Mise en marche et à l'arrêt de votre réfrigérateur

Si le réfrigérateur est en marche, sa température sera montrée à l'affichage. Pour arrêter le réfrigérateur, appuyez sur le bouton "ON/OFF" en le maintenant enfoncé pendant trois (3) secondes. "OFF" va apparaître à l'affichage.

Si le réfrigérateur est arrêté, "OFF" sera montré à l'affichage. Pour démarrer le réfrigérateur, appuyez sur le bouton "ON/OFF" en le maintenant enfoncé pendant trois (3) secondes. La température du réfrigérateur sera montrée à l'affichage.

## Fixation de consigne de température

Pour fixer la consigne de température du réfrigérateur, appuyez sur le bouton "SET" en le maintenant enfoncé. Quand ce bouton est enfoncé, c'est la température de consigne qui est affichée. En maintenant le bouton "SET" appuyé, appuyez sur le bouton "WARMER" ou "COLDER" pour ajuster la consigne de température.

## Fonctionnement du réfrigérateur

La plage de température intérieure disponible pour le réfrigérateur va de:

30ARM, 3OARM, 61ARM, and 6ADAM; 33° to 45°  
(1° to 7° C)


6ARM, 6ARCM, 6AROM, and MPRO6ARM; 35° to 43°  
(2° to 6° C)


Il peut falloir jusqu'à 24 heures pour que votre réfrigérateur atteigne la température voulue. Cela dépendra de la quantité chargée dedans, et du nombre d'ouvertures et de fermetures de sa porte.

Pour obtenir les meilleurs résultats, laissez le réfrigérateur descendre à la température de consigne avant de la charger. Une fois le contenu chargé, laissez la température se stabiliser au moins 48 heures avant de procéder à tout ajustement du point de consigne.

## Alertes

Votre contrôle MicroSentry™ de réfrigérateur va surveiller son fonctionnement et vous prévenir éventuellement avec une série d'alertes sonores et visuelles.

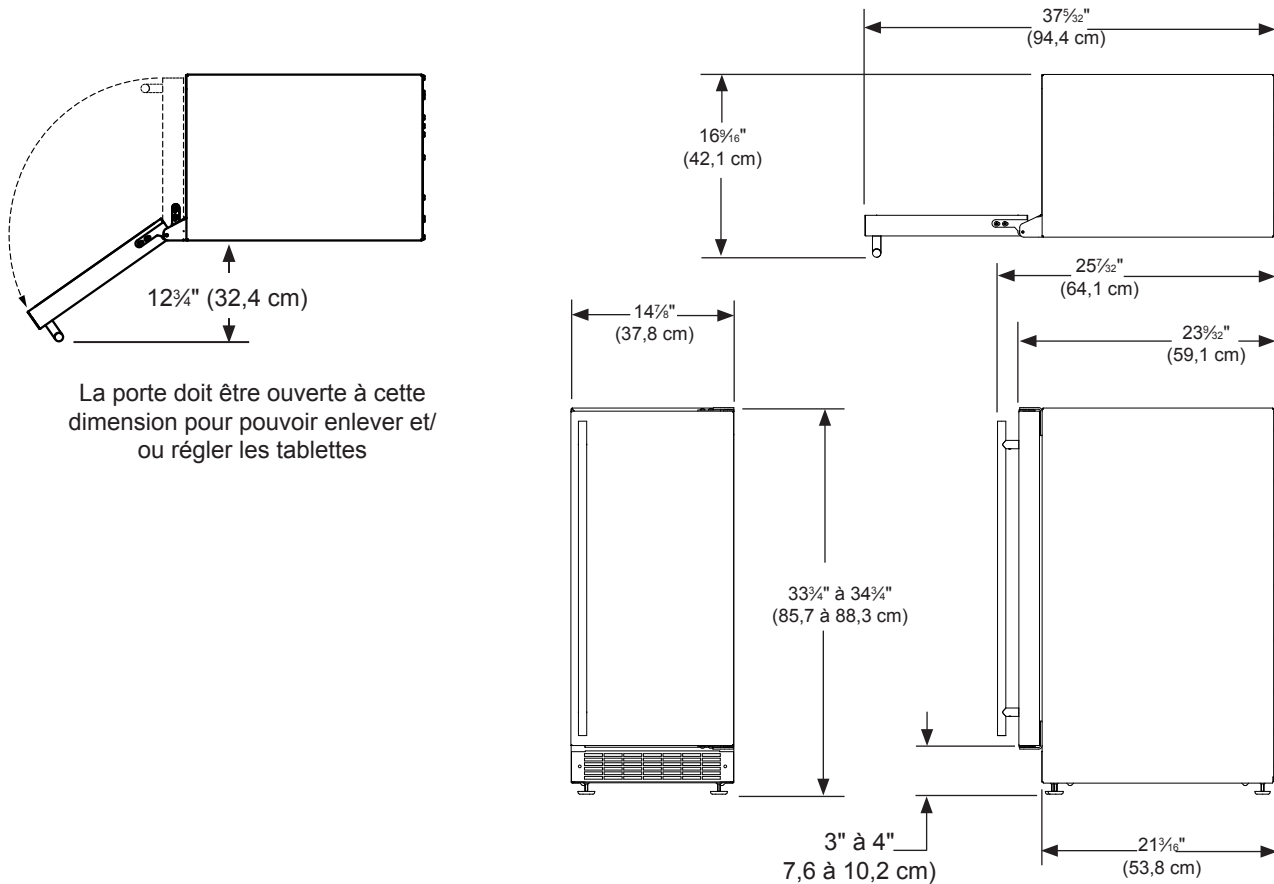
 • **Alerte sur porte restée ouverte:** Si la porte est laissée ouverte pour plus de cinq (5) minutes, cette alerte retentit avec des intervalles d'une (1) seconde. L'indication "do" va clignoter au panneau d'affichage et le voyant d'alerte à DEL situé en haut à gauche de l'affichage, sous le mot "Alarm" sera alluminée. Cela cesse dès que la porte est refermée.

 • **Défaillance du détecteur de température:** Si le contrôleur s'aperçoit que le détecteur de température ne fonctionne pas correctement, une alerte sur détecteur de température retentit avec des intervalles d'une (1) seconde. L'indication "E1" va clignoter au panneau d'affichage et le voyant d'alerte à DEL situé en haut à gauche de l'affichage, sous le mot "Alarm" sera alluminée. Veuillez appeler le service à la clientèle d'AGA MARVEL ou votre revendeur si ce code d'erreur est affiché.

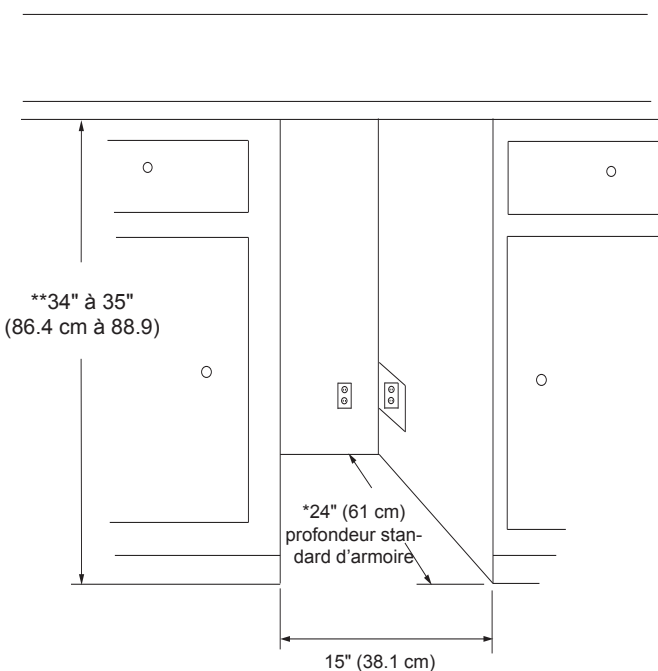
## Mise en sourdine des alertes

Appuyez sur n'importe quel bouton pour rendre silencieuse la partie sonore de l'alerte. REMARQUE – Cette action ne va que rendre muette l'alerte. Si la condition ayant causé l'alerte persiste, le code d'alerte correspondant va continuer de clignoter et il y aura une émission sonore de rappel pendant 20 secondes toutes les 60 minutes.

## DIMENSIONS DES MODÈLE 30ARM



### DIMENSIONS BRUTES D'OUVERTURE RECOMMANDÉES POUR MODÈLE 30ARM



#### ⚠ ATTENTION

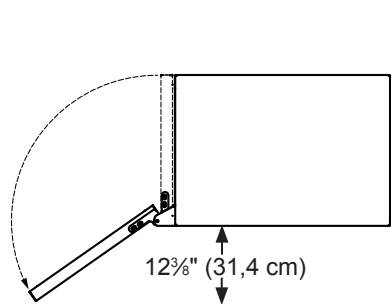
Besoins électriques : Un circuit secteur dédié en 115 V supportant 15 A est nécessaire. Une prise avec protection GFCI peut être nécessaire avec les modèles pour extérieur.

La prise secteur peut être située sur la cloison murale derrière l'unité. Ajoutez 1 pouce (2,5 cm) pour l'épaisseur de la fiche, ou encastrez la prise de cette profondeur dans la cloison. La prise secteur peut aussi être installée dans un meuble adjacent, avec une découpe pour faire passer le cordon secteur. Appliquez toutes les normes de construction locales à l'installation de l'électricité et de l'unité.  
Poids de l'appareil = 100 lbs. (45,4 kg)

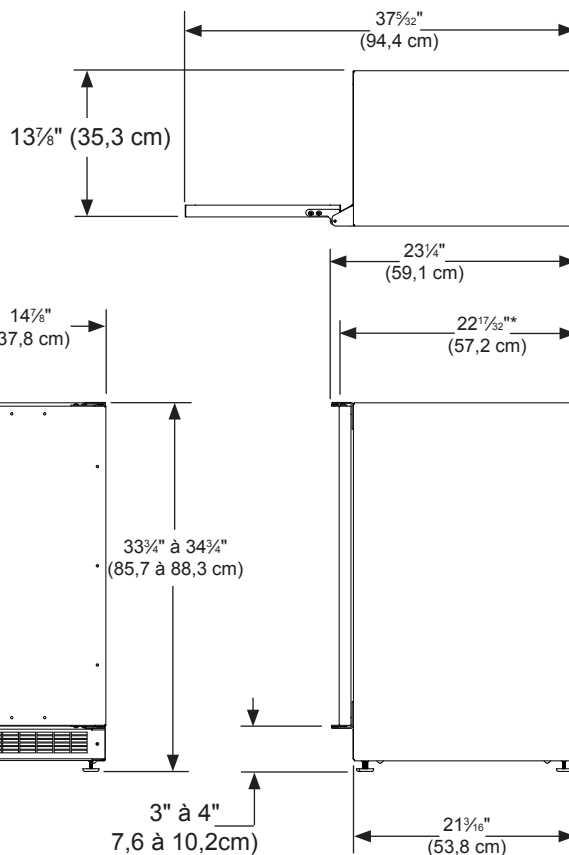
\* La dimension en profondeur peut varier selon chaque installation individuelle.

\*\*Minimum rugueuse à l'ouverture requise est d'être supérieure à la hauteur ajustée de l'armoire.

## DIMENSIONS POUR MODÈLE 30ARM AVEC PORTE À REVÊTEMENT

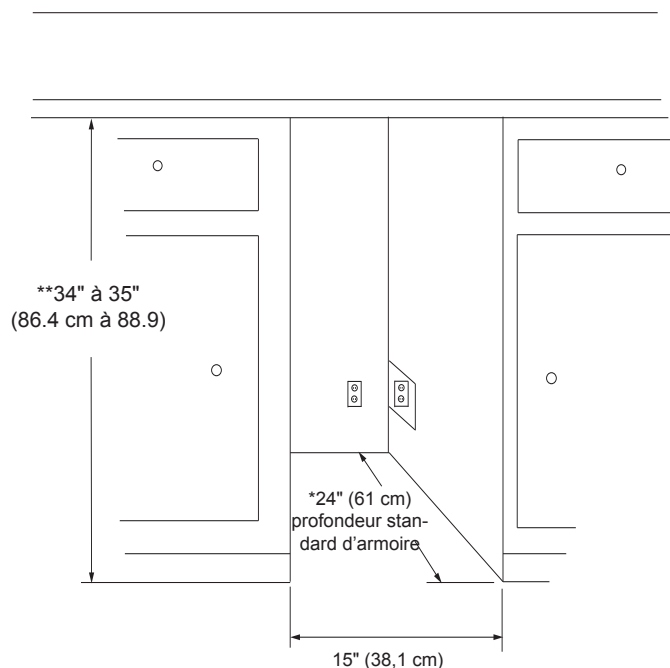


La porte doit être ouverte à cette dimension pour pouvoir enlever et/ou régler les profondeurs standard d'armoires



\* Pour recouvrir une porte sans panneau personnalisé

## DIMENSIONS BRUTES D'OUVERTURE RECOMMANDÉES POUR MODÈLE 30ARM AVEC PORTE À REVÊTEMENT



### ⚠ ATTENTION

Besoins électriques : Un circuit secteur dédié en 115 V supportant 15 A est nécessaire. Une prise avec protection GFCI peut être nécessaire avec les modèles pour extérieur.

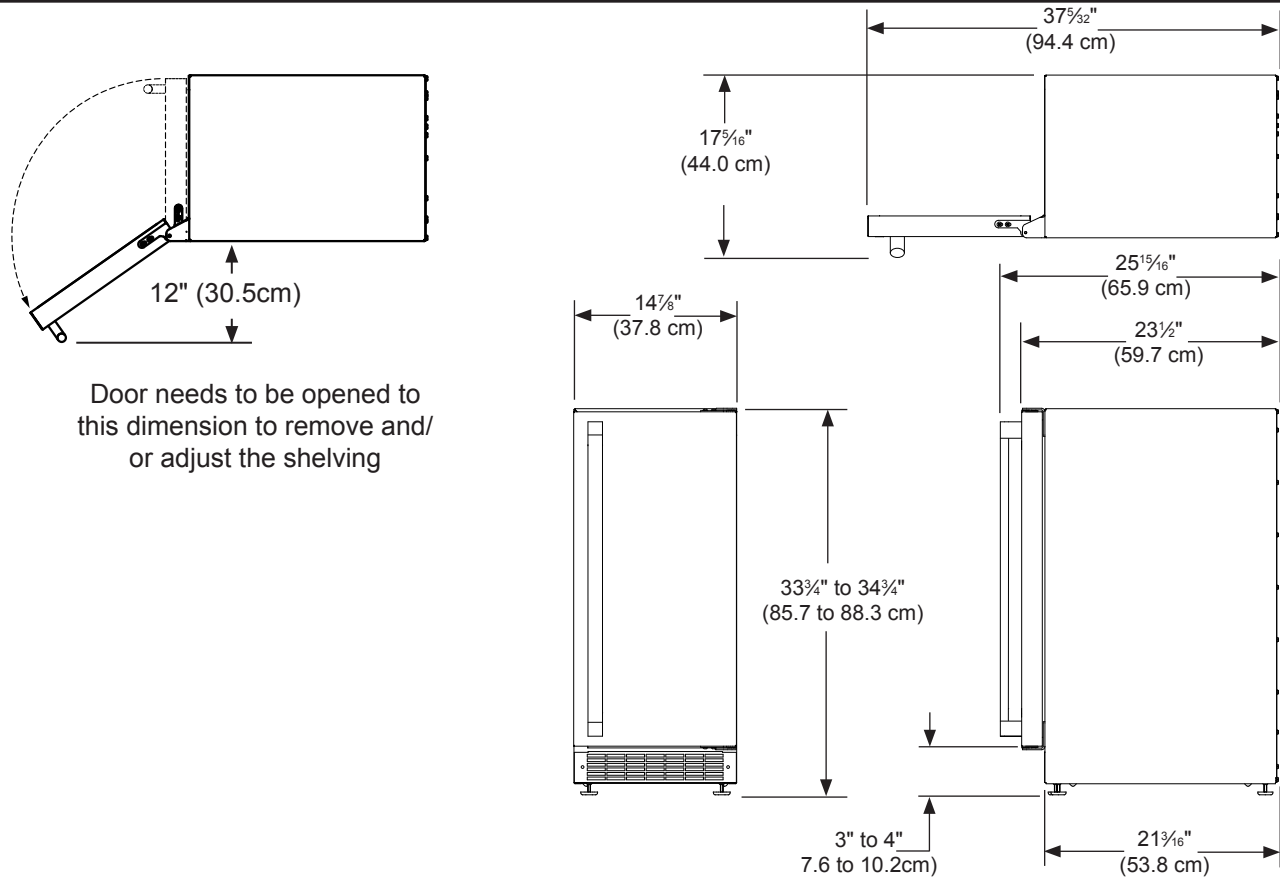
La prise secteur peut être située sur la cloison murale derrière l'unité. Ajoutez 1 pouce (2,5 cm) pour l'épaisseur de la fiche, ou encastrez la prise de cette profondeur dans la cloison. La prise secteur peut aussi être installée dans un meuble adjacent, avec une découpe pour faire passer le cordon secteur. Appliquez toutes les normes de construction locales à l'installation de l'électricité et de l'unité.  
Poids de l'appareil = 100 lbs. (45,4 kg)

\* La dimension en profondeur peut varier selon chaque installation individuelle.

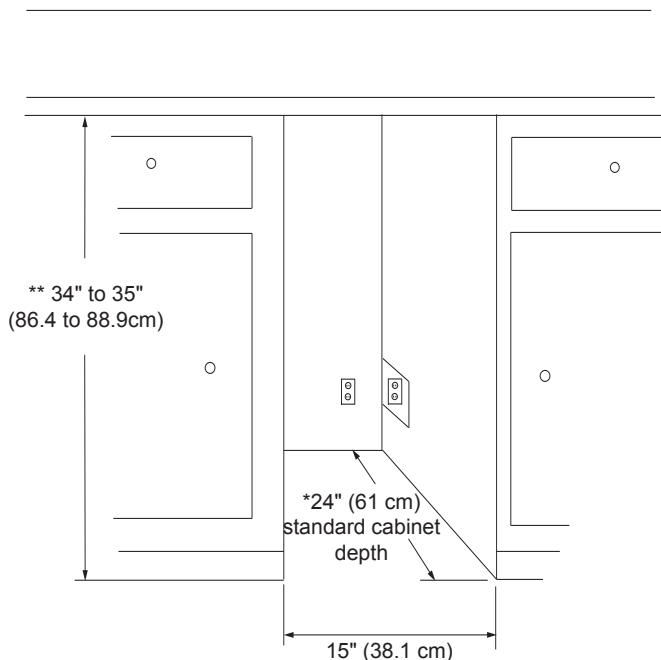
\*\*Minimum rugueuse à l'ouverture requise est d'être supérieure à la hauteur ajustée de l'armoire.



## DIMENSIONS DES MODÈLE 3OARM



## DIMENSIONS BRUTES D'OUVERTURE RECOMMANDÉES POUR MODÈLE 3OARM



### ⚠ ATTENTION

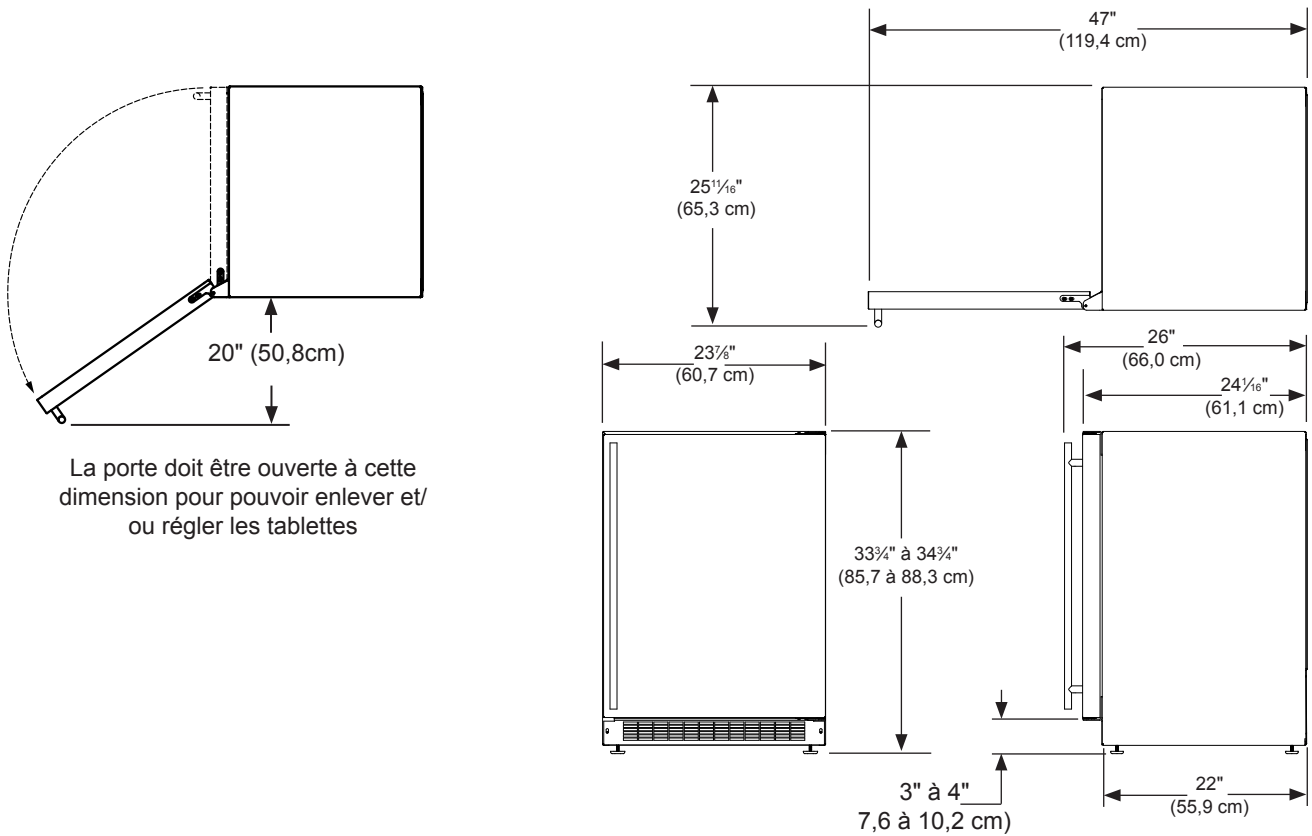
Besoins électriques : Un circuit secteur dédié en 115 V supportant 15 A est nécessaire. Une prise avec protection GFCI peut être nécessaire avec les modèles pour extérieur.

La prise secteur peut être située sur la cloison murale derrière l'unité. Ajoutez 1 pouce (2,5 cm) pour l'épaisseur de la fiche, ou encastrez la prise de cette profondeur dans la cloison. La prise secteur peut aussi être installée dans un meuble adjacent, avec une découpe pour faire passer le cordon secteur. Appliquez toutes les normes de construction locales à l'installation de l'électricité et de l'unité.  
Poids de l'appareil = 100 lbs. (45,4 kg)

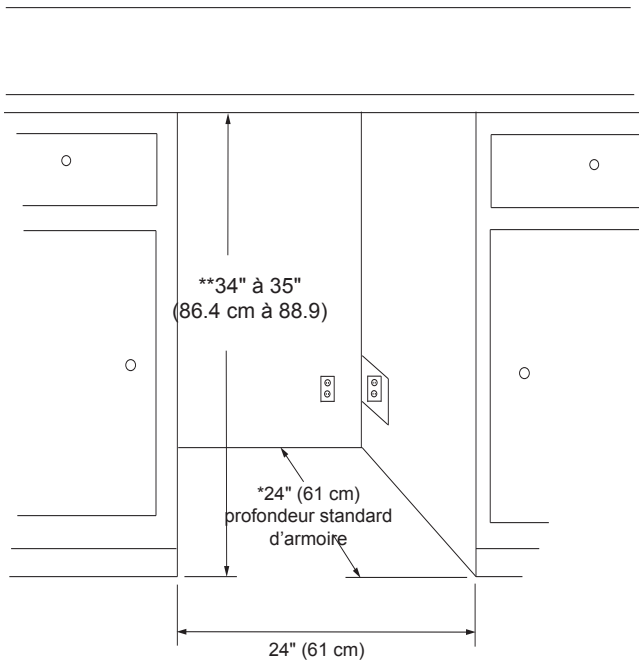
\* La dimension en profondeur peut varier selon chaque installation individuelle.

\*\*Minimum rugueuse à l'ouverture requise est d'être supérieure à la hauteur ajustée de l'armoire.

## DIMENSIONS DES MODÈLE 61ARM



## DIMENSIONS BRUTES D'OUVERTURE RECOMMANDÉES POUR MODÈLE 61ARM



### ⚠ ATTENTION

Besoins électriques : Un circuit secteur dédié en 115 V supportant 15 A est nécessaire. Une prise avec protection GFCI peut être nécessaire avec les modèles pour extérieur.

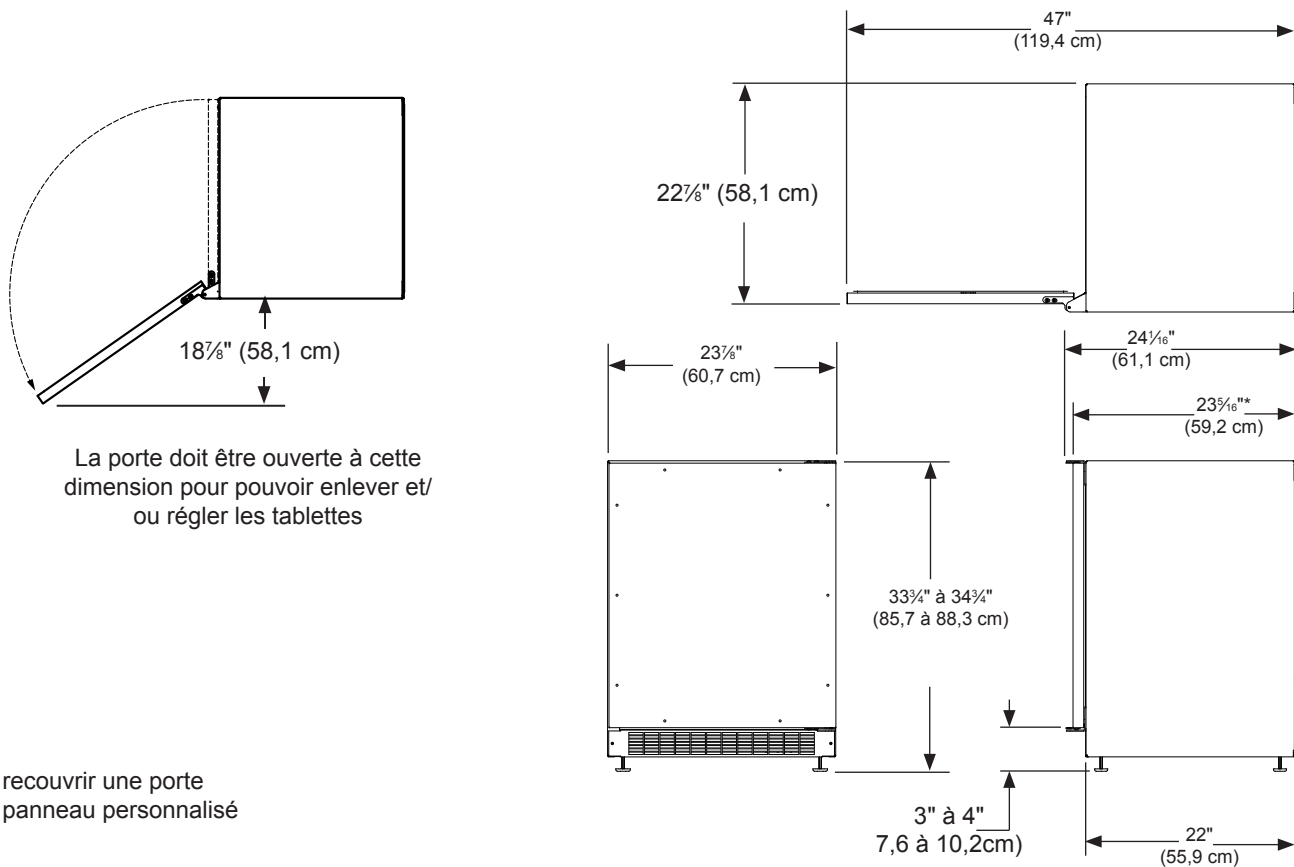
La prise secteur peut être située sur la cloison murale derrière l'unité. Ajoutez 1 pouce (2,5 cm) pour l'épaisseur de la fiche, ou encastrez la prise de cette profondeur dans la cloison. La prise secteur peut aussi être installée dans un meuble adjacent, avec une découpe pour faire passer le cordon secteur. Appliquez toutes les normes de construction locales à l'installation de l'électricité et de l'unité.

Poids de l'appareil = 130 lbs. (59,1 kg)

\* La dimension en profondeur peut varier selon chaque installation individuelle.

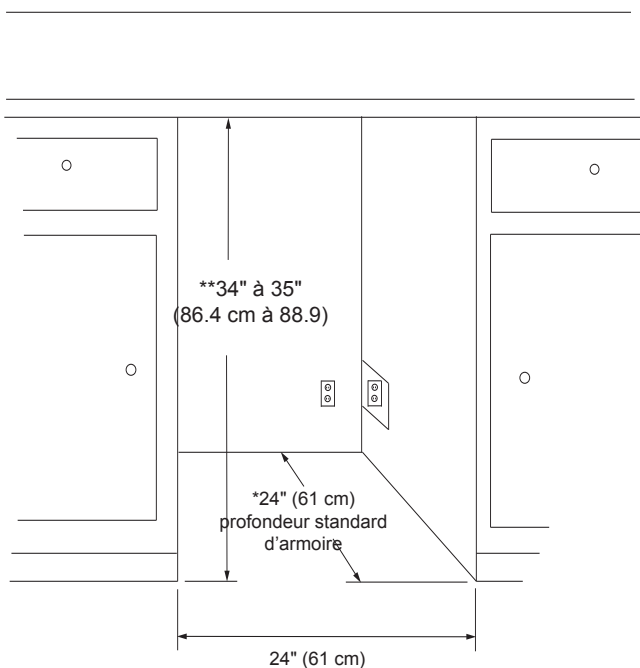
\*\*Minimum rugueuse à l'ouverture requise est d'être supérieure à la hauteur ajustée de l'armoire.

## DIMENSIONS POUR MODÈLE 61ARM AVEC PORTE À REVÊTEMENT



\* Pour recouvrir une porte sans panneau personnalisé

## DIMENSIONS BRUTES D'OUVERTURE RECOMMANDÉES POUR MODÈLE 61ARM AVEC PORTE À REVÊTEMENT



### ⚠ ATTENTION

Besoins électriques : Un circuit secteur dédié en 115 V supportant 15 A est nécessaire. Une prise avec protection GFCI peut être nécessaire avec les modèles pour extérieur.

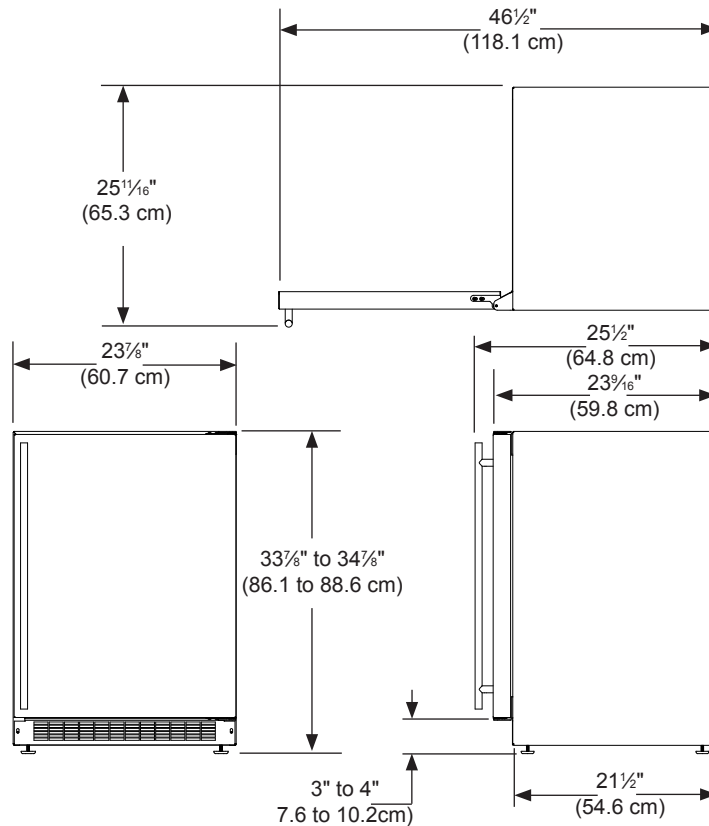
La prise secteur peut être située sur la cloison murale derrière l'unité. Ajoutez 1 pouce (2,5 cm) pour l'épaisseur de la fiche, ou encastrez la prise de cette profondeur dans la cloison. La prise secteur peut aussi être installée dans un meuble adjacent, avec une découpe pour faire passer le cordon secteur. Appliquez toutes les normes de construction locales à l'installation de l'électricité et de l'unité.

Poids de l'appareil = 130 lbs. (59,1 kg)

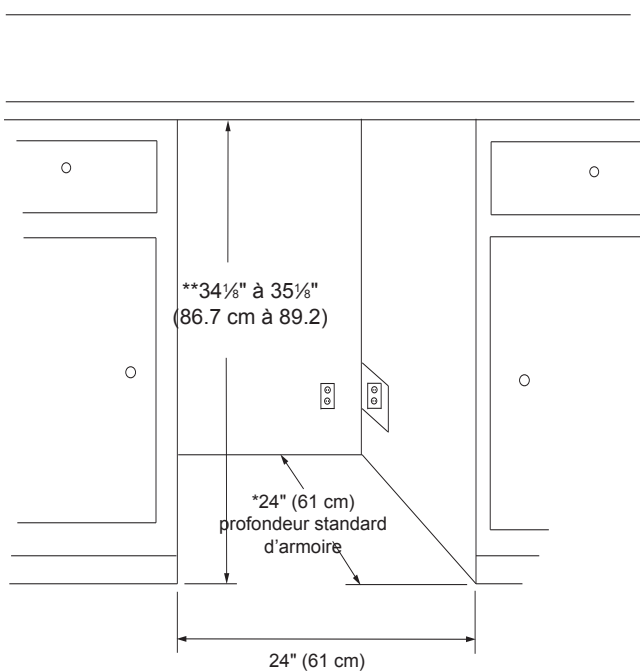
\* La dimension en profondeur peut varier selon chaque installation individuelle.

\*\*Minimum rugueuse à l'ouverture requise est d'être supérieure à la hauteur ajustée de l'armoire.

## DIMENSIONS DES MODÈLE 6ARM



## DIMENSIONS BRUTES D'OUVERTURE RECOMMANDÉES POUR MODÈLE 6ARM



### ⚠ ATTENTION

Besoins électriques : Un circuit secteur dédié en 115 V supportant 15 A est nécessaire. Une prise avec protection GFCI peut être nécessaire avec les modèles pour extérieur.

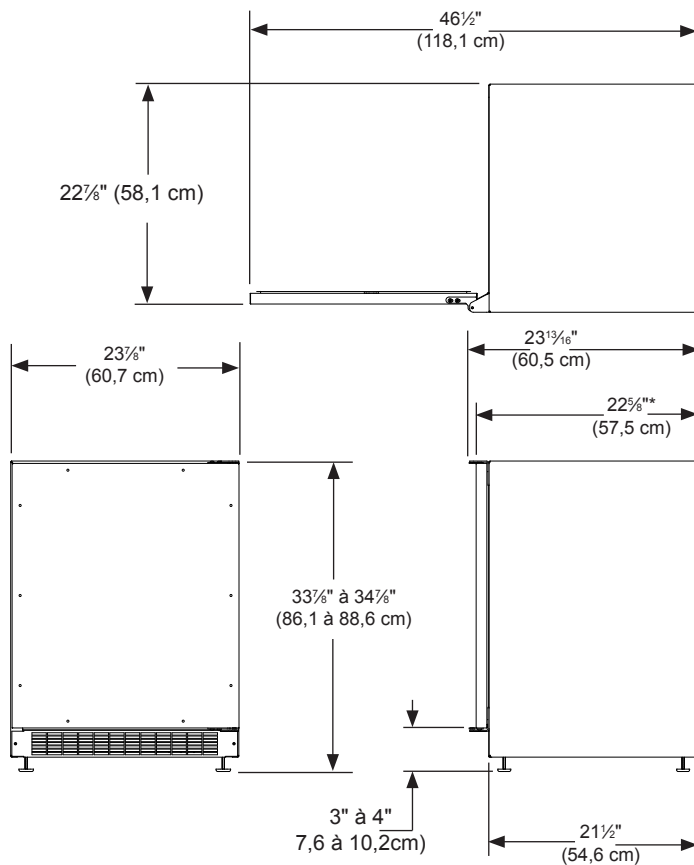
La prise secteur peut être située sur la cloison murale derrière l'unité. Ajoutez 1 pouce (2,5 cm) pour l'épaisseur de la fiche, ou encastrez la prise de cette profondeur dans la cloison. La prise secteur peut aussi être installée dans un meuble adjacent, avec une découpe pour faire passer le cordon secteur. Appliquez toutes les normes de construction locales à l'installation de l'électricité et de l'unité.

Poids de l'appareil = 130 lbs. (59,1 kg)

\* La dimension en profondeur peut varier selon chaque installation individuelle.

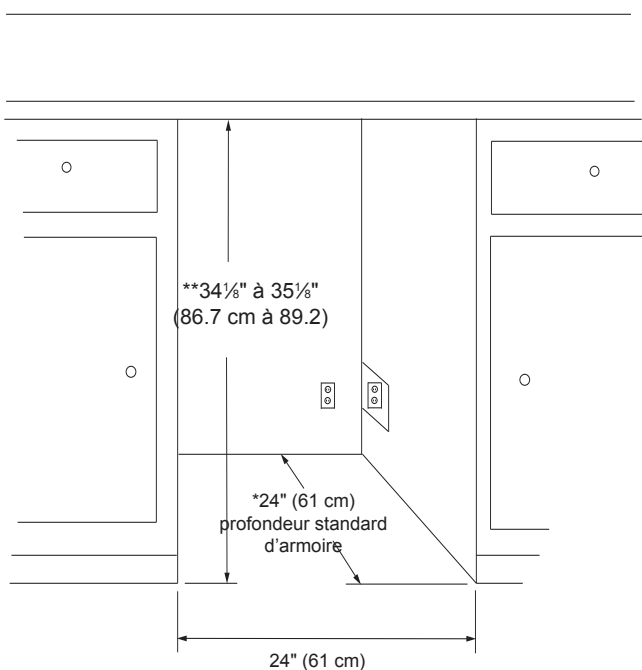
\*\*Minimum rugueuse à l'ouverture requise est d'être supérieure à la hauteur ajustée de l'armoire.

## DIMENSIONS POUR MODÈLE 6ARCM AVEC PORTE À REVÊTEMENT



\* Pour recouvrir une porte sans panneau personnalisé

## DIMENSIONS BRUTES D'OUVERTURE RECOMMANDÉES POUR MODÈLE 6ARCM AVEC PORTE À REVÊTEMENT



### ⚠ ATTENTION

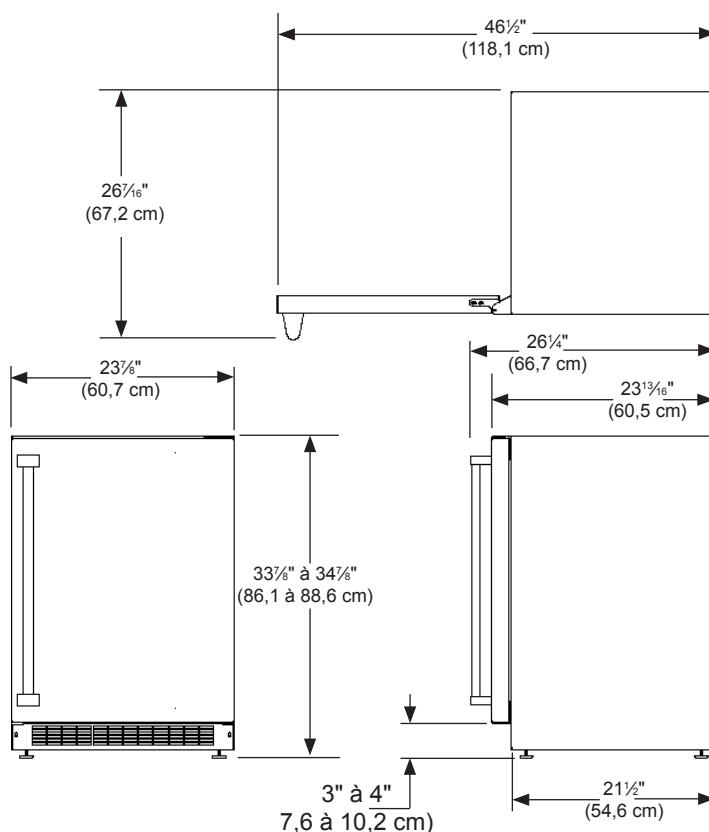
Besoins électriques : Un circuit secteur dédié en 115 V supportant 15 A est nécessaire. Une prise avec protection GFCI peut être nécessaire avec les modèles pour extérieur.

La prise secteur peut être située sur la cloison murale derrière l'unité. Ajoutez 1 pouce (2,5 cm) pour l'épaisseur de la fiche, ou encastrez la prise de cette profondeur dans la cloison. La prise secteur peut aussi être installée dans un meuble adjacent, avec une découpe pour faire passer le cordon secteur. Appliquez toutes les normes de construction locales à l'installation de l'électricité et de l'unité.  
Poids de l'appareil = 130 lbs. (59,1 kg)

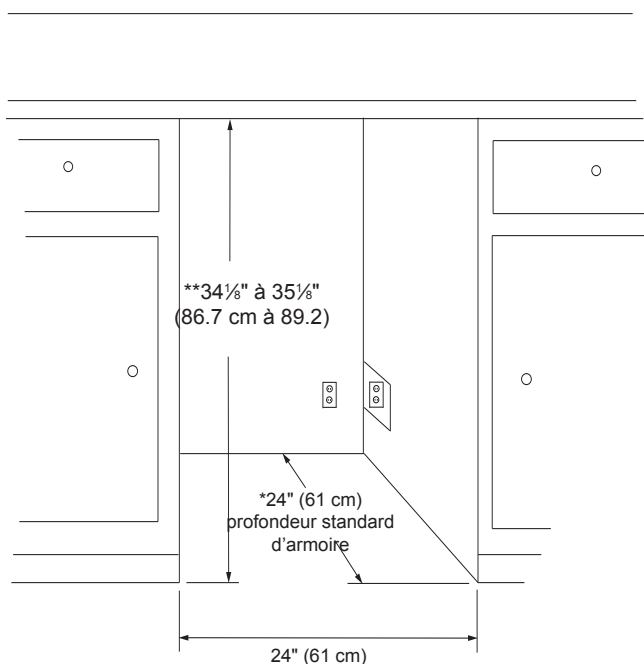
\* La dimension en profondeur peut varier selon chaque installation individuelle.

\*\*Minimum rugueuse à l'ouverture requise est d'être supérieure à la hauteur ajustée de l'armoire.

## DIMENSIONS DES MODÈLES MPRO6ARM ET 6AROM



## DIMENSIONS BRUTES D'OUVERTURE RECOMMANDÉES POUR MODÈLES MPRO6ARM ET 6AROM



### ⚠ ATTENTION

Besoins électriques : Un circuit secteur dédié en 115 V supportant 15 A est nécessaire. Une prise avec protection GFCI peut être nécessaire avec les modèles pour extérieur.

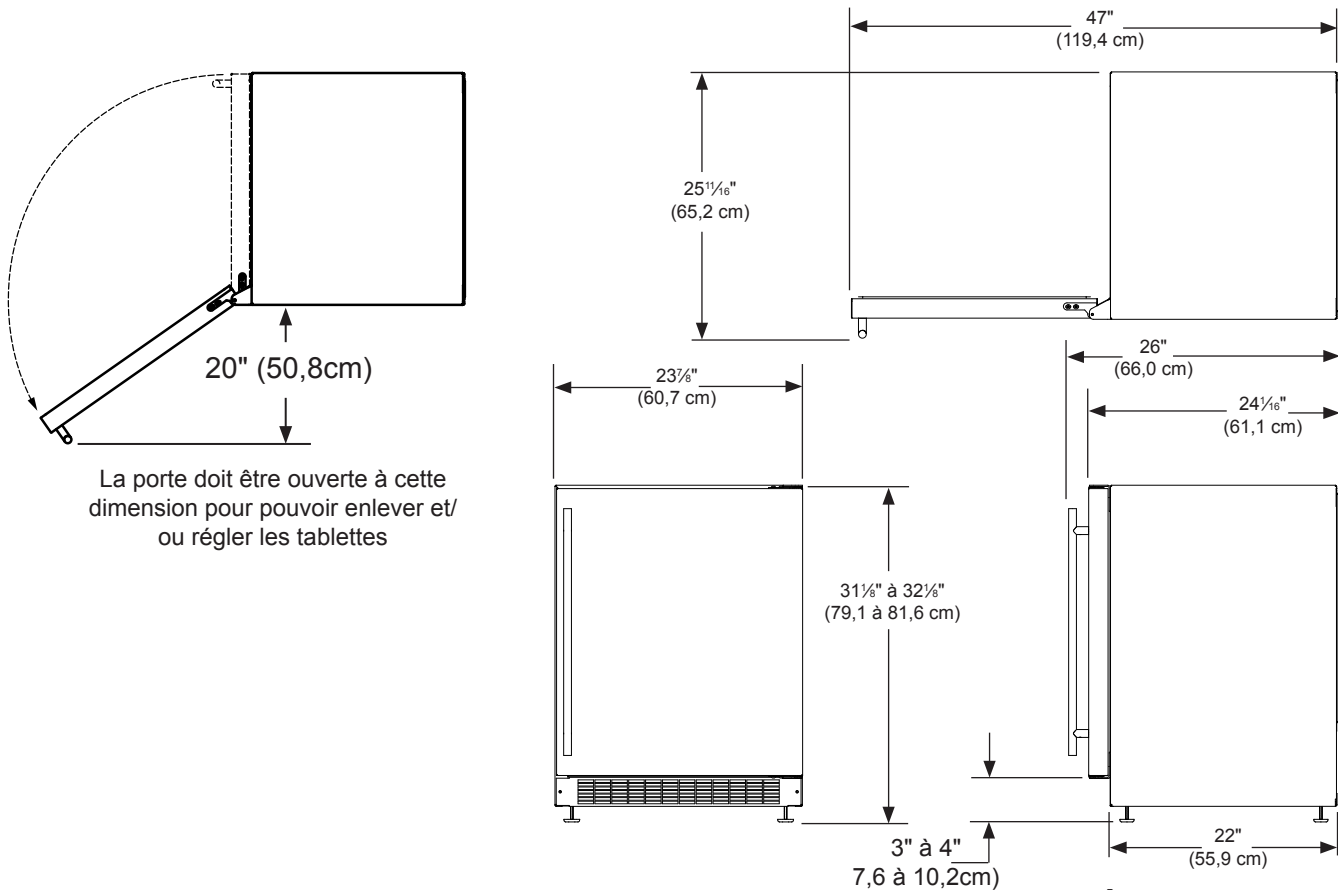
La prise secteur peut être située sur la cloison murale derrière l'unité. Ajoutez 1 pouce (2,5 cm) pour l'épaisseur de la fiche, ou encastrez la prise de cette profondeur dans la cloison. La prise secteur peut aussi être installée dans un meuble adjacent, avec une découpe pour faire passer le cordon secteur. Appliquez toutes les normes de construction locales à l'installation de l'électricité et de l'unité.

Poids de l'appareil = 130 lbs. (59,1 kg)

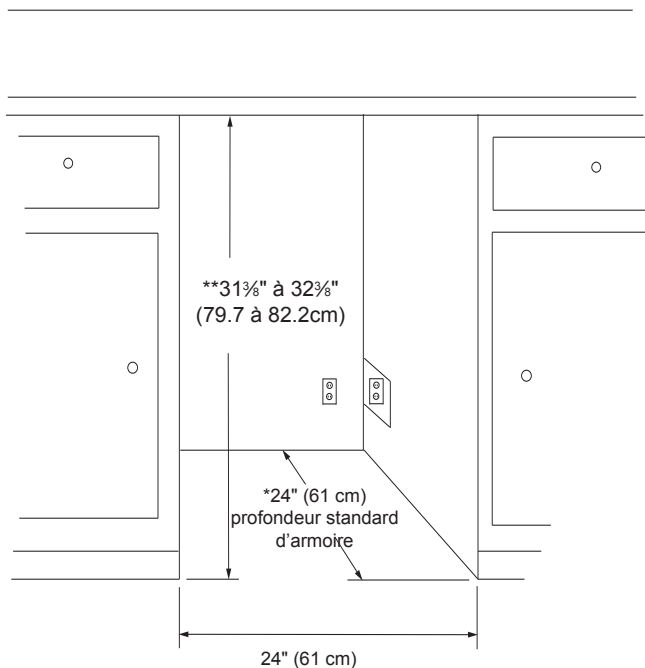
\* La dimension en profondeur peut varier selon chaque installation individuelle.

\*\*Minimum rugueuse à l'ouverture requise est d'être supérieure à la hauteur ajustée de l'armoire.

## DIMENSIONS POUR MODÈLE 6ADAM



## DIMENSIONS BRUTES D'OUVERTURE RECOMMANDÉES POUR MODÈLE 6ADAM



### ⚠ ATTENTION

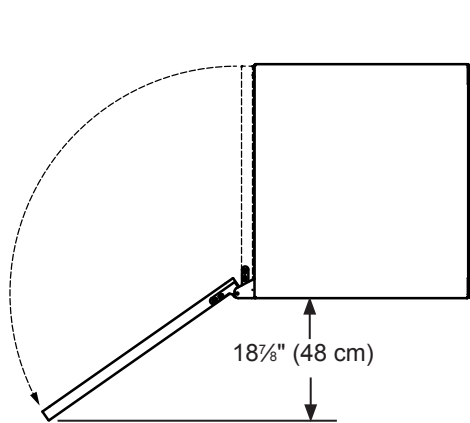
Besoins électriques : Un circuit secteur dédié en 115 V supportant 15 A est nécessaire. Une prise avec protection GFCI peut être nécessaire avec les modèles pour extérieur.

La prise secteur peut être située sur la cloison murale derrière l'unité. Ajoutez 1 pouce (2,5 cm) pour l'épaisseur de la fiche, ou encastrez la prise de cette profondeur dans la cloison. La prise secteur peut aussi être installée dans un meuble adjacent, avec une découpe pour faire passer le cordon secteur. Appliquez toutes les normes de construction locales à l'installation de l'électricité et de l'unité.  
Poids de l'appareil = 130 lbs. (59,1 kg)

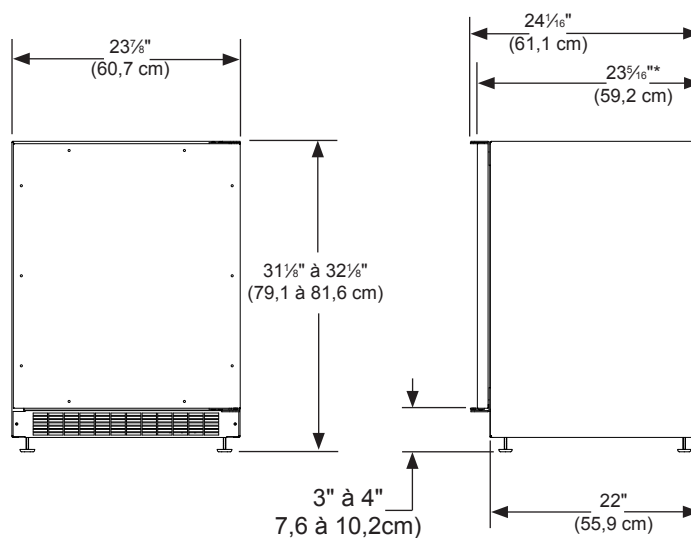
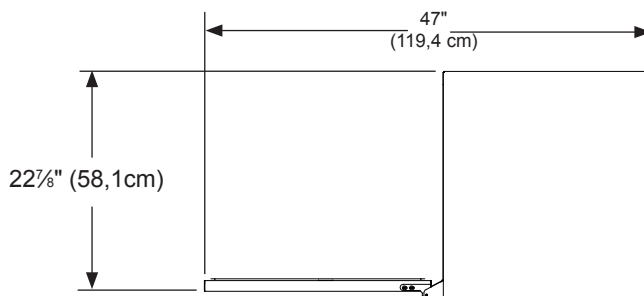
\* La dimension en profondeur peut varier selon chaque installation individuelle.

\*\*Minimum rugueuse à l'ouverture requise est d'être supérieure à la hauteur ajustée de l'armoire.

## DIMENSIONS POUR MODÈLE 6ADAM AVEC PORTE À REVÊTEMENT

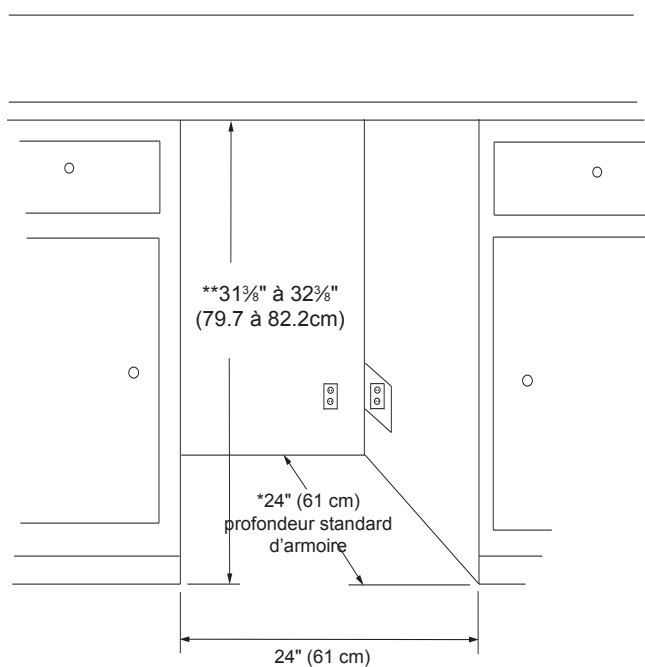


La porte doit être ouverte à cette dimension pour pouvoir enlever et/ou régler les tablettes



\* Pour recouvrir une porte sans panneau personnalisé

## DIMENSIONS BRUTES D'OUVERTURE RECOMMANDÉES POUR MODÈLE 6ADAM AVEC PORTE À REVÊTEMENT



### ⚠ ATTENTION

Besoins électriques : Un circuit secteur dédié en 115 V supportant 15 A est nécessaire. Une prise avec protection GFCI peut être nécessaire avec les modèles pour extérieur.

La prise secteur peut être située sur la cloison murale derrière l'unité. Ajoutez 1 pouce (2,5 cm) pour l'épaisseur de la fiche, ou encastrez la prise de cette profondeur dans la cloison. La prise secteur peut aussi être installée dans un meuble adjacent, avec une découpe pour faire passer le cordon secteur. Appliquez toutes les normes de construction locales à l'installation de l'électricité et de l'unité. Poids de l'appareil = 130 lbs. (59,1 kg)

\* La dimension en profondeur peut varier selon chaque installation individuelle.

\*\*Minimum rugueuse à l'ouverture requise est d'être supérieure à la hauteur ajustée de l'armoire.



# INSTRUCTIONS D'INSTALLATION DE PANNEAU DE REVÊTEMENT COMPLET

## ⚠ ATTENTION

### Étape 1 : Vérification de l'alignement de porte

Vérifiez que la porte est correctement alignée par rapport à l'armoire avant de fabriquer le panneau sur mesures. Sinon cela peut amener un mauvais alignement du panneau sur mesures avec le support de charnière. La porte doit être parallèle avec les côtés et le dessus de l'armoire. Si un alignement est nécessaire, la porte peut être ajustée en desserrant les deux vis qui tiennent les supports d'adaptateur de charnière supérieure et/ou inférieure, situées en haut et en bas de la porte, et en réglant la porte d'un côté par rapport à l'autre. Utilisez une clé Allen de  $\frac{5}{32}$ " pour cette procédure (Voir la Figure 6 ci-dessous). Quand l'alignement de porte est terminé, resserrez bien ces vis.

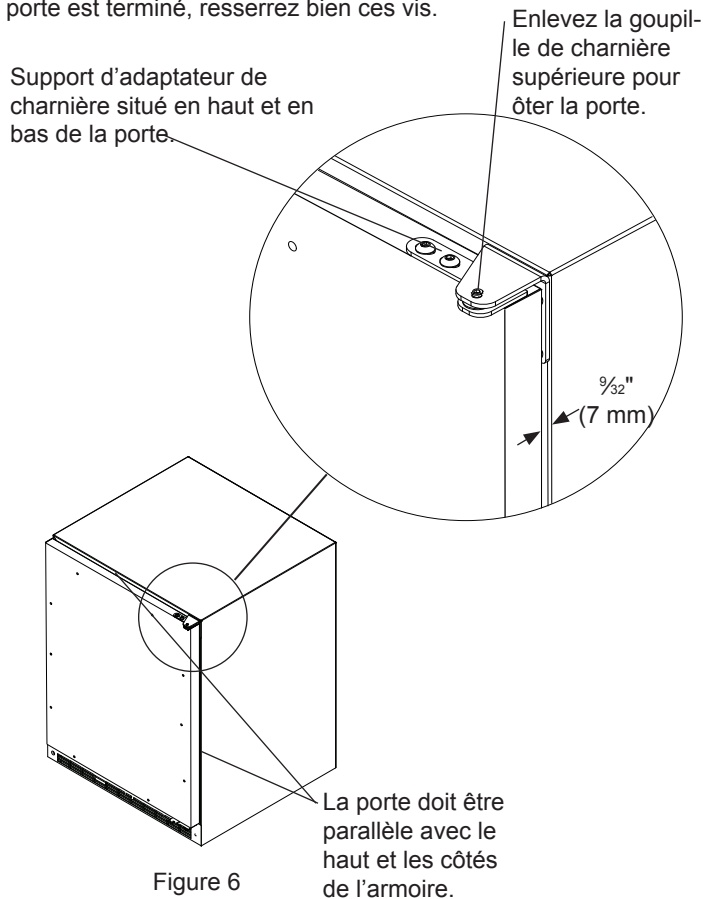


Figure 6

### Étape 2 : Démontage de la porte

Remove the top hinge pin from the hinge with an  $\frac{1}{8}$ " allen wrench. Remove the door by angling the top of the door outward and lifting the door off the bottom hinge. (See detail in Figure 6).

### Étape 3 : Enlèvement de joint

Posez la porte sur sa face avant en faisant attention de ne pas la rayer. Pour avoir accès aux trous de vis de montage, enlevez le joint de porte en le tirant pour le sortir de sa rainure.

### Étape 4 : Découpe du panneau de revêtement

Selon le modèle de réfrigérateur, découpez le panneau de revêtement aux dimensions montrées en Figure 7 et dans le Tableau B qui suit.

## REMARQUE

Pour un revêtement avec option de verrouillage, l'épaisseur de panneau doit faire  $\frac{3}{4}$ " (19 mm) au maximum et  $\frac{5}{8}$ " (16 mm) au minimum.

## ⚠ ATTENTION

Le poids du panneau de revêtement ne doit pas dépasser 20 lbs. (9,1 kg).

## REMARQUE

Pour que la porte se ferme correctement, il est nécessaire de garder un espace de  $\frac{3}{32}$ " (7 mm) au minimum entre la porte et le rebord de l'armoire (Voir la Figure 6). Cet espace peut se régler en ajustant les supports d'adaptateur de charnière en haut et en bas.

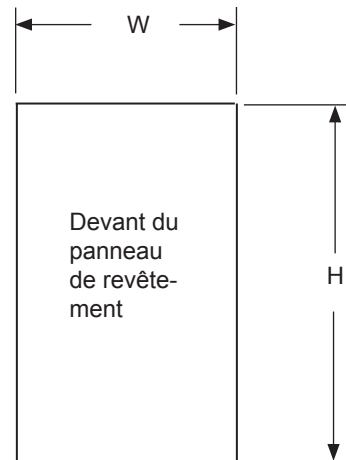


Figure 7

Modèle	W	H
<b>30ARM</b>	14 $\frac{5}{8}$ " (37,1 cm)	30 $\frac{5}{16}$ " (77,0 cm)
<b>61ARCM</b>	23 $\frac{3}{8}$ " (60,0 cm)	30 $\frac{5}{16}$ " (77,0 cm)
<b>6ADAM</b>	23 $\frac{3}{8}$ " (60,0 cm)	27 $\frac{1}{16}$ " (70,3 cm)

Tableau B

### Étape 5 : Percez des trous de passage dans le panneau de revêtement

Posez le panneau de revêtement sur la face avant de la porte, alignez les bords et maintenez les deux ensemble. Maintenez fermement le panneau faites attention de ne pas abîmer la porte ou le panneau. Marquez le centre du trou d'adaptateur de charnière sur le panneau en bois, en haut et en bas (Voir la Figure 8). Enlevez le panneau en bois de la porte et percez des trous de passage de diamètre  $\frac{5}{16}$ " (8 mm) dans le panneau sur une profondeur de  $\frac{3}{4}$ " (20 mm). Ce seront les trous de passage pour les tiges de charnière du haut et du bas.

C'est également le bon moment pour localiser et percer les trous de votre poignée. Le plus souvent cette poignée doit être similaire à celles du mobilier environnant. Si votre poignée se fixe depuis la face arrière du panneau personnalisé, localisez les trous de montage pendant que le panneau est maintenu sur la porte et l'armoire.

# INSTRUCTIONS D'INSTALLATION DE PANNEAU DE REVÊTEMENT COMPLET

Une fois le panneau retiré de la porte, percez les trous de montage depuis la face avant, au diamètre recommandé par le fabricant de poignée. Fraisez sur la face arrière du panneau de façon à ce que les têtes de vis n'interfèrent pas avec la surface de la porte.

## Étape 6 : Percez les trous de montage du panneau

Maintenez à nouveau le panneau sur la porte comme à l'étape précédente et percez les avant-trous de vis, situés dans le canal de joint, afin de fixer le panneau de revêtement à la porte. Choisissez la taille du trou à partir du Tableau C. Veillez à ne pas percer ces avant-trous en traversant le panneau de revêtement,  $\frac{1}{2}$ " (12,7 mm) de profondeur pour des panneaux de  $\frac{3}{4}$ " (19 mm) et  $\frac{5}{8}$ " (15,7 mm).

Type de matériau	Vis à bois #8
Bois dur	Avant trou Ø $\frac{1}{8}$ " (3,2 mm)
Bois tendre	Avant trou Ø $\frac{7}{64}$ " (2,8 mm)

Tableau C

## REMARQUE

Si votre réfrigérateur possède un verrouillage de porte, passez à l'étape 7. Sinon sautez directement à l'étape 9.

## Étape 7 : Marquez et percez le trou pour verrouillage

Localisez et marquez avec un crayon l'emplacement du trou de verrouillage sur le panneau de revêtement, c'est le trou dans l'angle supérieur du côté de la poignée de la porte. Enlevez le dispositif de maintien et enlevez le panneau de revêtement de la porte. Sur la face arrière du panneau où vous avez marqué l'emplacement de verrouillage, percez un contre-alésage de diamètre  $1\frac{3}{16}$ " (20,5 mm) et  $\frac{7}{16}$ " (11,0 mm) de profondeur dans le panneau de revêtement. Percez un trou de diamètre  $1\frac{5}{32}$ " (12,0 mm) dans le panneau de revêtement au milieu de ce contre-alésage en prenant soin de ne pas faire éclater le bois sur la face avant du panneau (Voir la Figure 10).

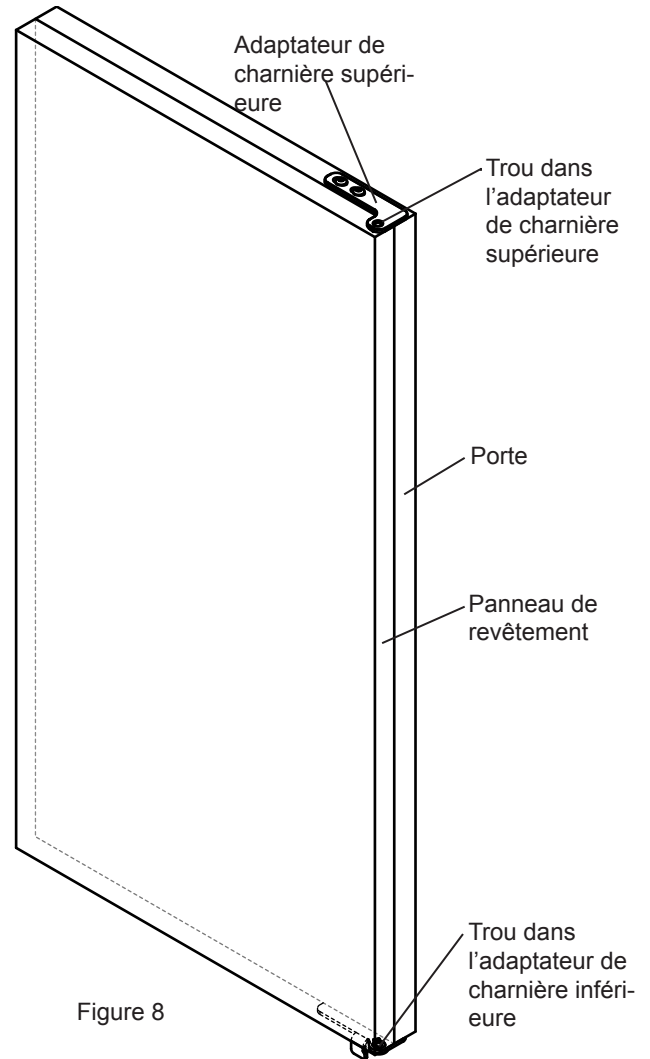


Figure 8

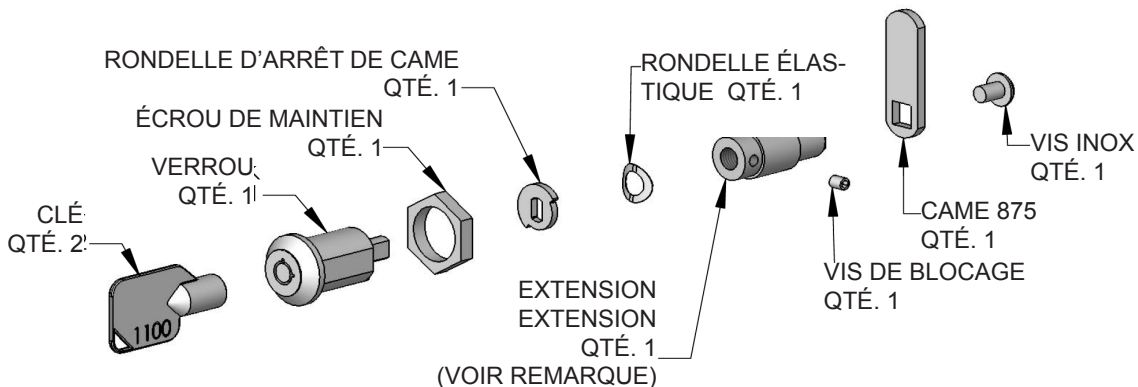


Figure 9

# INSTRUCTIONS D'INSTALLATION DE PANNEAU DE REVÊTEMENT COMPLET

## Étape 8 : Assemblez les pièces de verrouillage

Deux (2) extensions de verrouillage sont fournies avec le verrou. Utilisez l'extension la plus longue pour un panneau de revêtement d'épaisseur  $\frac{3}{4}$ " et la plus courte pour un panneau d'épaisseur  $\frac{5}{8}$ ". Assemblez l'extension de verrouillage, une rondelle d'arrêt de came, une rondelle élastique et une vis de fixation sur le verrou comme montré aux Figures 9 et 10.

Installez cet ensemble sur le panneau de revêtement avec l'écrou de maintien en utilisant une douille de 15 mm. Assurez-vous que la fente en trou de serrure du verrou est verticale.

## Étape 9 : Fixez le panneau de revêtement sur la porte

Avec les vis à bois #10 fournies, fixez le panneau de revêtement sur la porte (Voir la Figure 12).

## Étape 10 : Installez la came de verrouillage (modèles avec verrou uniquement)

Fixez la came de verrouillage à l'arrière de l'ensemble de verrou avec la vis d'assemblage à tête Phillips fournie. Orientez la came de verrouillage verticalement en installant le verrou.

## Étape 11 : Installez le joint de porte

Pressez le joint de porte dans le canal de la porte. Assurez-vous que les coins de joint sont bien insérés. Si c'est applicable, insérez une clé dans le verrou et vérifiez son bon fonctionnement.

## Étape 12 : Installez la porte

Remettez les douilles d'adaptateur de charnière du haut et du bas (ôtées à l'étape 6) en place dans les adaptateurs de charnière. Installez la porte en inversant la procédure de l'étape 2. Remettez la goupille de charnière du haut de façon à ce que la tête de vis soit au niveau de la surface supérieure de la charnière. Si c'est applicable, insérez une clé dans le verrou et vérifiez si la came de verrouillage accroche correctement l'étrier de retenue sur l'avant de l'armoire de réfrigérateur.

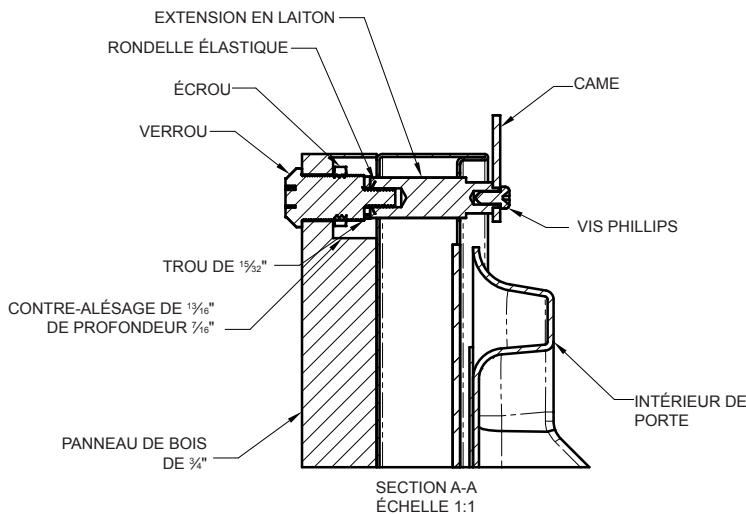


Figure 10

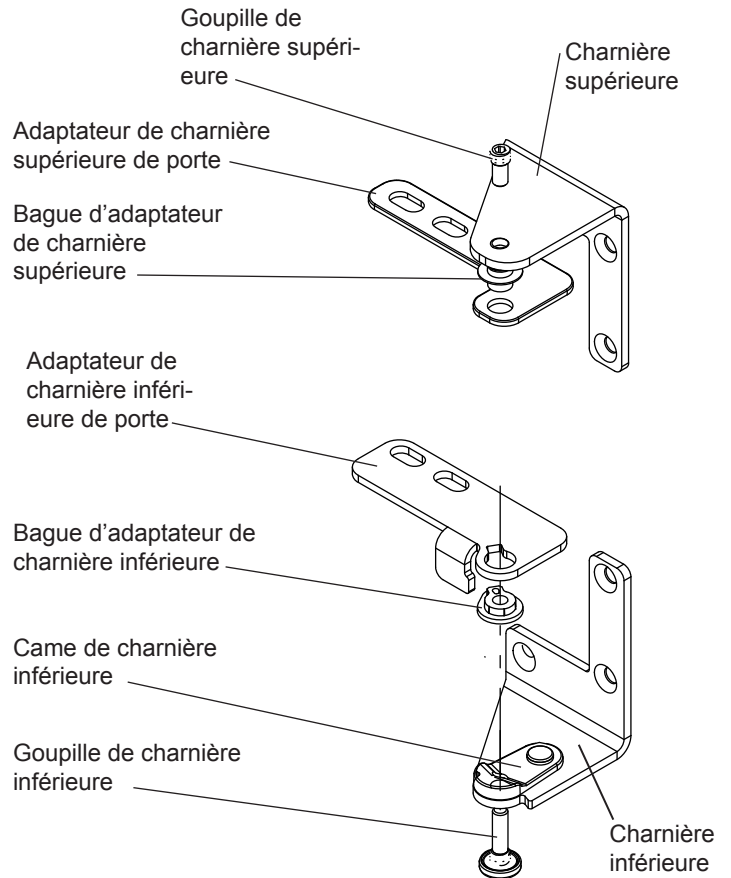


Figure 11  
Charnière  
montrées du côté  
droit

Trou de passage au travers du canal de joint de porte

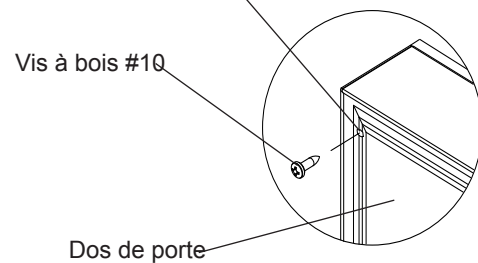


Figure 12

## CONSEILS POUR LES ÉCONOMIES D'ÉNERGIE,

---

### **Les suggestions générales suivantes vont minimiser le coût de fonctionnement de votre appareil de refroidissement.**

1. N'installez pas votre appareil près d'un autre appareil chaud (cuisinière, lave-vaisselle, etc.), d'une conduite d'air chaud, ou d'autres sources de chaleur.
2. Placez l'appareil à l'abri du rayonnement solaire direct.
3. Assurez-vous que les événements de la grille de plinthe devant l'appareil en bas de la porte ne sont pas obstrués et maintenus propres de façon à permettre une ventilation du système de refroidissement et chasser la chaleur.
4. Branchez votre appareil sur un circuit d'alimentation secteur dédié (Sans partage avec d'autres appareils).
5. Quand vous chargez initialement votre produit neuf, ou au cas où de grosses quantités de contenu tiède sont placées dans le compartiment de conservation au froid, minimisez les ouvertures de porte pendant les 12 heures qui suivent pour permettre au contenu de tomber à la température de consigne du compartiment.
6. En maintenant un compartiment d'entreposage relativement plein, il faut moins de périodes de fonctionnement en refroidissement de l'appareil qu'avec un compartiment vide.
7. Assurez-vous que la fermeture de porte n'est pas obstruée par des denrées entreposées dans votre appareil.
8. Permettez aux denrées chaudes de revenir à la température ambiante avant de les placer dans l'appareil.
9. Minimisez la fréquence et la durée des ouvertures de porte.
10. Utilisez le point de consigne de température le plus haut qui respecte votre préférence personnelle, et fournissez l'entreposage qui convient pour vos denrées conservées.
11. Minimisez l'utilisation de l'option d'éclairage pour les appareils à porte vitrée (ne laissez pas l'éclairage allumé avec la porte fermée).
12. Quand vous êtes en vacances ou loin de la maison pour des périodes prolongées, réglez la consigne de l'appareil à la température la plus haute admissible pour la conservation de son contenu.
13. Réglez le contrôle en position d'arrêt (off) si le nettoyage de l'appareil nécessite que sa porte reste ouverte pour une période longue.

## ENTRETIEN ET NETTOYAGE

Assurez-vous que rien n'obstrue les ouvertures pour flux d'air requises à l'avant de l'armoire. Au moins une à deux fois par an, chassez par brossage ou par aspiration les peluches et les saletés dans la zone de la grille avant (Voir en page 4).

### Armoire

L'armoire peinte peut se laver avec une solution savonneuse douce, puis soigneusement se rincer à l'eau potable. N'utilisez JAMAIS de produits nettoyants abrasifs.

### Intérieur

Lavez le compartiment intérieur avec une solution savonneuse douce. N'utilisez pas de nettoyant abrasif, de solvant, de produit nettoyant/polissant ou de détergent non-dilué.

### Entretien de l'appareil

1. Évitez de vous appuyer sur la porte, vous pourriez déformer ses charnières ou faire basculer l'appareil.
2. Faites attention quand vous balayez, aspirez ou passez la vadrouille près de l'avant de l'unité. Vous pourriez endommager sa grille.
3. Nettoyez périodiquement l'intérieur de l'appareil selon le besoin.
4. Vérifiez périodiquement la grille frontale et les serpentins de condenseur, et nettoyez-les si nécessaire.

### Remplacement de l'ampoule d'éclairage

#### AVERTISSEMENT

DÉBRANCHEZ L'ALIMENTATION ÉLECTRIQUE AVANT D'ESSAYER DE REMPLACER L'AMPOULE D'ÉCLAIRAGE. Sinon vous risquez une commotion électrique qui peut vous blesser gravement.

Le réfrigérateur utilise une ampoule à incandescence de 25 watts pour éclairer l'intérieur du réfrigérateur pour boissons. Cette ampoule est un composant électrique très fiable, mais si son fonctionnement était défectueux, veuillez appeler le revendeur chez qui vous avez acheté votre réfrigérateur pour boissons pour obtenir une ampoule de remplacement. N'utilisez qu'une ampoule d'éclairage d'origine via votre revendeur ou AGA MARVEL.

#### AVERTISSEMENT

N'utilisez PAS, en aucun cas, une ampoule qui ferait plus de 15 watts!

Pour remplacer l'ampoule d'éclairage, débranchez l'alimentation électrique de l'appareil. Dévissez la vieille ampoule située derrière le logement d'affichage en haut de l'appareil. Mettez de côté cette vieille ampoule. Vissez l'ampoule neuve en place. Rebranchez l'alimentation électrique de l'appareil. Vérifiez le bon fonctionnement de l'ampoule d'éclairage pour terminer cette installation.

L'ampoule d'éclairage n'est pas couverte par la garantie. Une ampoule de remplacement peut être obtenue depuis votre revendeur ou chez AGA MARVEL.

# DÉPANNAGE DE VOTRE RÉFRIGÉRATEUR

## Avant d'appeler pour du service

Si l'appareil semble présenter un dysfonctionnement, commencez par bien relire son manuel. Si le problème persiste, consultez le guide de dépannage qui suit. Identifiez le problème dans ce guide et consultez les colonnes de causes et de remèdes avant d'appeler pour du service. Le problème peut être quelque chose de très simple qui peut se résoudre sans demander une intervention de service. Cependant il peut être nécessaire de contacter votre revendeur ou un technicien de service qualifié.

## Si du service est nécessaire :

- Si le produit est encore dans sa première année de garantie, veuillez appeler le service à la clientèle d'AGA MARVEL au 800.223.3900 pour avoir des instructions sur la façon d'obtenir une couverture sous garantie dans votre secteur.
- Si le produit est sorti de sa première année de garantie, le service à la clientèle d'AGA MARVEL peut vous fournir des recommandations sur les centres de service de votre secteur. Une liste des centres de service agréés est également disponible sur le site [www.agamarvel.com](http://www.agamarvel.com) sous la section de service et d'assistance.

### AVERTISSEMENT

### Risque d'électrocution

– Ne tentez jamais de réparer ou d'exécuter de la maintenance

sur l'appareil avant que son alimentation électrique n'ait été débranchée en amont. Passer l'unité sur arrêt (OFF) n'enlève pas la présence de tension secteur sur les fils de câblage.

- Dans toute correspondance relative au service, assurez-vous de bien fournir la référence de modèle, le numéro de série et le justificatif de l'achat.
- Essayez de donner des informations ou une description de la nature du problème, sur la durée pendant laquelle l'appareil a fonctionné, sur les températures de la pièce et de l'eau, et toutes les informations pouvant être utiles pour une résolution rapide du problème.
- Le Tableau D est fourni pour enregistrer les informations pertinentes sur votre produit, comme référence ultérieure.

Pour vos archives	
Date d'achat	
Nom du revendeur	
Adresse du revendeur	
Ville du revendeur	
État/province du revendeur	
Code Zip/postal du revendeur	
N° de série de l'appareil	
Référence de modèle de l'appareil	
Date d'envoi de la carte de garantie (à faire dans les 10 jours après l'achat)	

Tableau D

Problème	Cause possible	Remède
L'appareil n'est pas assez froid Ajustez la température (Voir en page 6 le réglage de consigne)	<ul style="list-style-type: none"> <li>• Le contrôle a une consigne trop chaude</li> <li>• La température du contenu n'est pas encore stabilisée.</li> <li>• Utilisation excessive ou ouvertures prolongées de la porte.</li> <li>• Blocage du flux d'air de la grille frontale.</li> <li>• Défaut d'étanchéité du joint de porte.</li> </ul>	<ul style="list-style-type: none"> <li>• Ajustez plus bas la consigne de température. Laissez stabiliser la température 24 heures.</li> <li>• Laissez la température se stabiliser pendant au moins 24 heures.</li> <li>• Le flux d'air ne doit pas être obstrué à la grille frontale. Consultez les valeurs d'écartements en page 4.</li> <li>• Vérifiez l'alignement de porte et/ou changez le joint de porte.</li> </ul>
L'appareil est trop froid Ajustez la température (Voir en page 6 le réglage de consigne)	<ul style="list-style-type: none"> <li>• Le contrôle a une consigne trop froide</li> <li>• Défaut d'étanchéité du joint de porte.</li> </ul>	<ul style="list-style-type: none"> <li>• Ajustez plus haut la consigne de température (Voir la page 6 pour les instructions). Laissez stabiliser la température 24 heures.</li> <li>• Vérifiez l'alignement de porte et/ou changez le joint de porte</li> </ul>
Pas d'éclairage à l'intérieur de l'armoire.	<ul style="list-style-type: none"> <li>• L'ampoule d'éclairage est grillée.</li> </ul>	<ul style="list-style-type: none"> <li>• Remplacez l'ampoule d'éclairage défectueuse</li> </ul>
L'éclairage ne s'éteint pas quand la porte est fermée	<ul style="list-style-type: none"> <li>• La porte n'active pas l'interrupteur d'éclairage.</li> </ul>	<ul style="list-style-type: none"> <li>• Vérifiez que l'armoire est d'aplomb, référez-vous à la page 4 pour les instructions de mise à niveau.</li> <li>• Vérifiez que la porte est bien alignée, référez-vous à la page 13 pour les instructions.</li> </ul>
Bruit ou vibration	<ul style="list-style-type: none"> <li>• L'appareil n'est pas d'aplomb</li> </ul>	<ul style="list-style-type: none"> <li>• Mettez l'appareil d'aplomb, voyez en page 4 le réglage des pieds de mise à niveau.</li> </ul>
L'appareil ne fonctionne pas.	<ul style="list-style-type: none"> <li>• L'appareil est à l'arrêt.</li> <li>• Le cordon secteur n'est pas branché.</li> <li>• La prise secteur n'est pas alimentée.</li> </ul>	<ul style="list-style-type: none"> <li>• Mettez l'appareil en marche. Voyez pour le démarrage de votre appareil en page 6.</li> <li>• Branchez la fiche du cordon.</li> <li>• Vérifiez l'alimentation électrique de votre maison.</li> </ul>

# GARANTIE DE PRODUIT À USAGE DOMESTIQUE

## Appareil complet

### Garantie limitée d'un an sur pièces et main-d'œuvre

AGA MARVEL garantit qu'elle fournira toutes les pièces et la main-d'œuvre nécessaires pour réparer ou remplacer, au domicile ou au bureau de l'utilisateur final, tout composant avéré défectueux du fait des matériaux ou de la main-d'œuvre, en tenant compte des conditions et exclusions décrites plus bas, pendant une période d'une année à compter de la date d'achat par l'utilisateur final.

### Période additionnelle de la deuxième à la cinquième année

#### Garantie limitée sur les pièces uniquement

Durant les quatre ans qui suivent l'expiration de la garantie limitée d'un an, AGA MARVEL va fournir des pièces de remplacement pour le système de refroidissement hermétiquement scellé (constitué de : compresseur, condenseur, déshydrateur, accumulateur, vanne de contournement, tube de raccordement et évaporateur), s'il s'avère défectueux du fait des matériaux ou de la main-d'œuvre, en tenant compte des conditions et exclusions qui suivent.

Les garanties précédentes ne couvrent pas :

- Les coûts d'expédition des pièces de remplacement ou des pièces défectueuses renvoyées.
- L'éducation du client ou des instructions sur la façon d'utiliser l'appareil
- Toute perte de contenu due à une panne de produit.
- Le déplacement ou l'installation du produit.

Les garanties qui précèdent ne couvrent pas non plus une panne de ce produit ou de ses composants due à :

- Transport ou dommages consécutifs au transport.
- Utilisation commerciale, ou autre qu'un usage domestique normal ou un usage dans un petit bureau.
- Une utilisation incorrecte, un mésusage, un abus, un accident ou une altération, un câblage de raccordement non conforme aux normes électriques, une tension secteur trop élevée ou trop faible, un défaut d'entretien notoire, ou toute autre utilisation non raisonnable.

## Pièces ou service non fournis ou conçus par AGA MARVEL

Les garanties qui précèdent ne s'appliquent pas non plus si :

- L'acte de vente d'origine, la date de livraison, ou le numéro de série ne peuvent pas être vérifiés.
- Les pièces défectueuses ne sont pas renvoyées pour inspection si c'est demandé par AGA MARVEL.
- L'équipement de refroidissement n'est plus en la possession de l'acheteur utilisateur final d'origine.

Les garanties décrites ici sont les seules fournies par AGA MARVEL. Toutes les garanties implicites, y compris la garantie implicite de valeur marchande, sont limitées à la durée des garanties explicites. En aucun cas AGA MARVEL ne sera tenue pour responsable de tous dommages ou dépenses consécutifs ou annexes, résultant d'une inobservation de ces garanties ou d'autres garanties, qu'elles soient explicites ou implicites.

Certains États et certaines Provinces ne permettent pas l'exclusion ou la limitation des dommages consécutifs ou une limitation de la durée applicable des garanties implicites, dont la limitation ou exclusion qui précède ne peut pas être applicable à votre cas. Cette garantie vous donne des droits légaux spécifiques, et vous pouvez avoir d'autres droits qui peuvent varier d'un État à un autre.

Aucune personne, firme ou corporation, n'est autorisée à donner une garantie différente, ni à assumer une quelconque autre obligation pour AGA MARVEL. Ces garanties ne s'appliquent qu'à des produits utilisés dans un des cinquante États des États-Unis d'Amérique et dans le District de Columbia.

Pour obtenir une action dans le cadre de cette garantie, signalez tous les défauts constatés à :

### AGA MARVEL

1260 E. VanDeinse St.  
Greenville MI 48838

Téléphone : 800.223.3900



[www.agamarvel.com](http://www.agamarvel.com)

**AGA MARVEL**  
1260 E. VanDeinse St.  
Greenville MI 48838

800.223.3900  
41012685-FR revE  
6/25/12

Toutes les spécifications et les conceptions des produits sont sujettes à des changements sans préavis. De telles révisions ne donnent aucun droit pour l'acheteur de produits antérieurs à bénéficier de ces changements, améliorations, ajouts, remplacements, ni de recevoir une compensation.