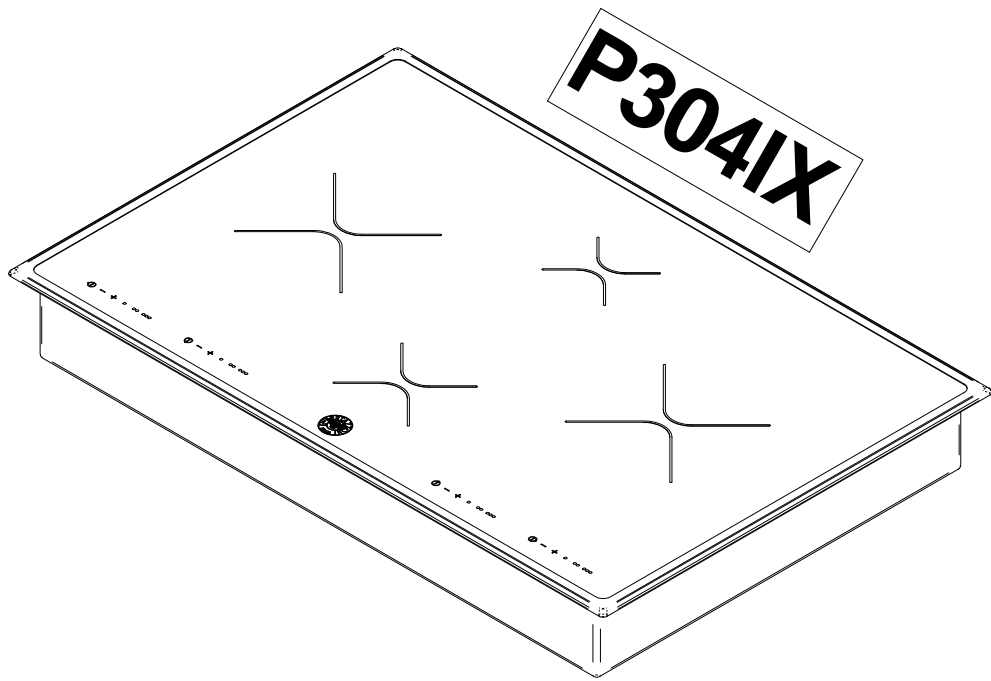
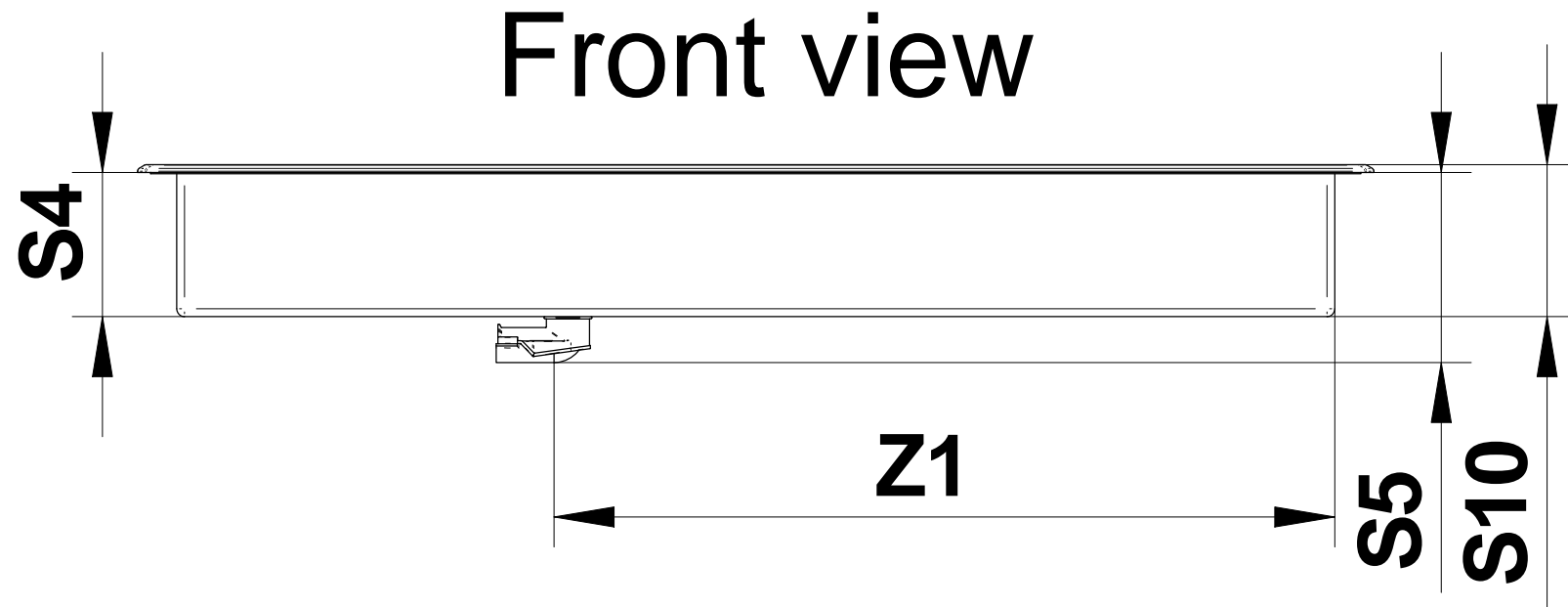
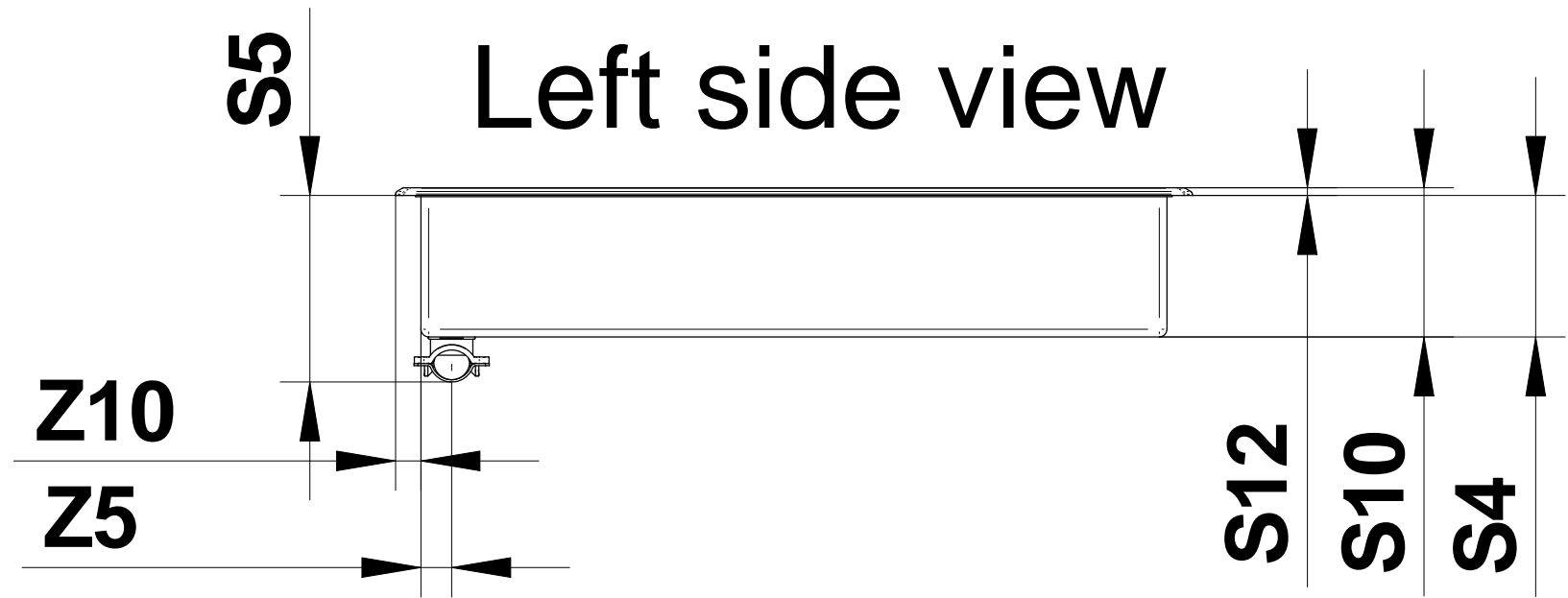
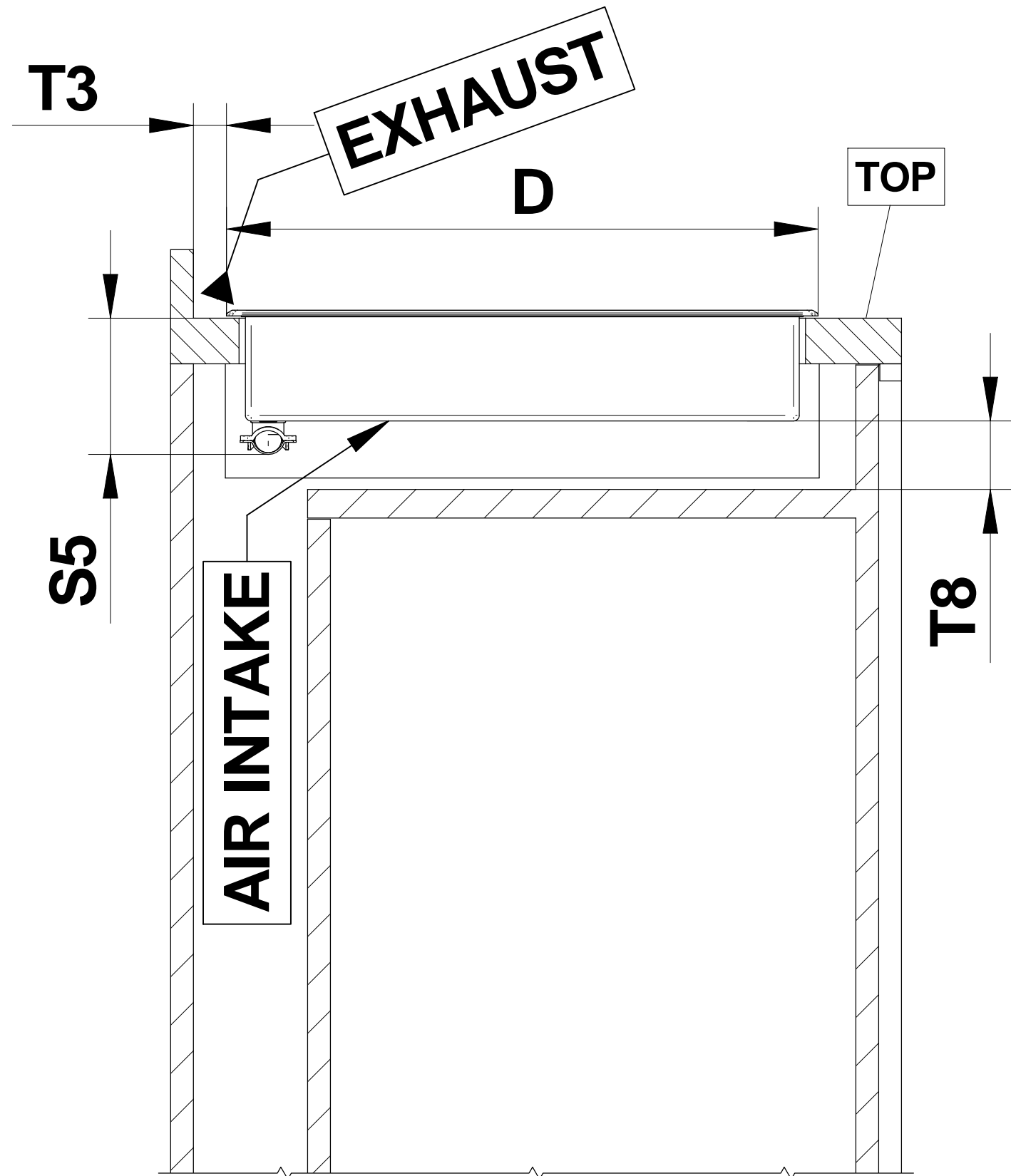
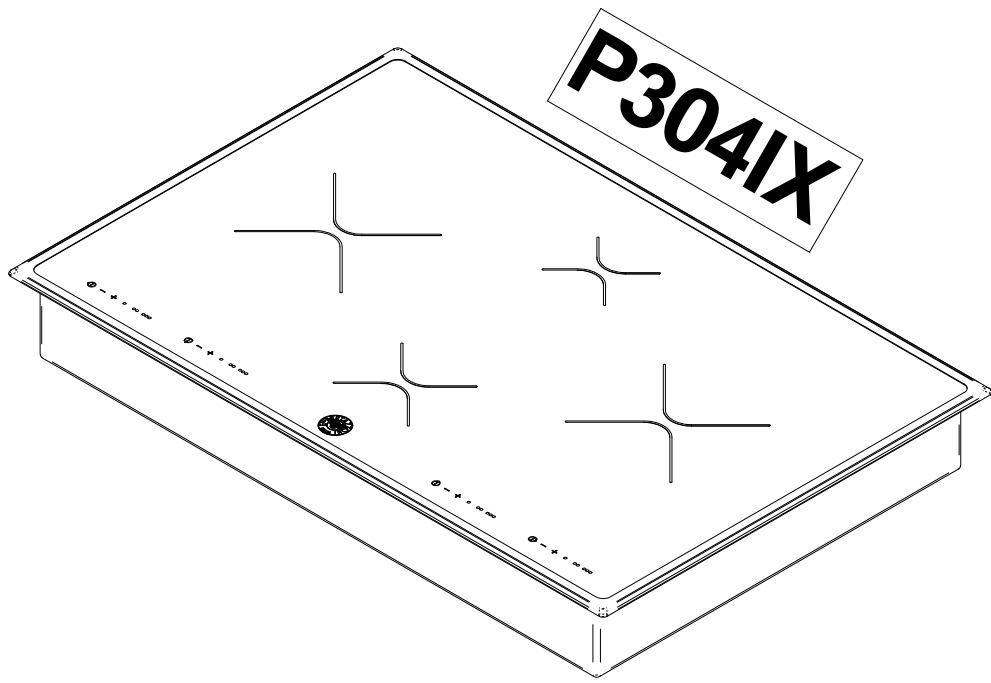


| Rif. | Dim. | |
|----------|--------|-----|
| | Inches | mm |
| L3 (min) | 1 9/16 | 40 |
| D | 20 3/8 | 518 |
| L1 | 19 1/2 | 496 |
| L9 (min) | 6 3/8 | 162 |
| L10 | 29 1/2 | 750 |
| S | 3 5/8 | 92 |
| W | 31 1/8 | 790 |



| Rif. | Dim. | | Rif. | Dim. | |
|------|---------|-----|------|---------|-----|
| | Inches | mm | | Inches | mm |
| S4 | 3 5/8 | 92 | Z1 | 19 9/32 | 490 |
| S5 | 4 3/4 | 120 | Z5 | 25/32 | 20 |
| S10 | 3 13/16 | 97 | Z10 | 3/8 | 15 |
| S12 | 7/32 | 5 | | | |





| Rif. | Dim. | |
|----------|---------|-----|
| | Inches | mm |
| D | 20 3/8 | 518 |
| S5 | 4 3/4 | 120 |
| T3 (min) | 13/32 | 10 |
| T8 (min) | 1 31/32 | 50 |