

SPIRIT®



LP GAS GRILL OWNER'S GUIDE

ESNA GUÍA DEL PROPIETARIO DE LA BARBACOA DE GAS PROPANO LICUADO - PG. 33

FC MODE D'EMPLOI DU GRILL À GAZ PL - PG. 59

E220 · E320 · SP320



Thank you for purchasing a Weber® grill.
You've made a wise investment.
Now take a few minutes and protect it by
registering your product online at
www.weber.com®

**YOU MUST READ THIS OWNER'S GUIDE BEFORE
OPERATING YOUR GAS GRILL.**

⚠ DANGER

If you smell gas:

- 1) Shut off gas to the appliance.
- 2) Extinguish any open flames.
- 3) Open lid.
- 4) If odor continues, keep away from the appliance and immediately call your gas supplier or your fire department.

Leaking gas may cause a fire or explosion which can cause serious bodily injury, death, or damage to property.

⚠ WARNING

- 1) Do not store or use gasoline or other flammable liquids or vapors in the vicinity of this or any other appliance.
- 2) An LP cylinder not connected for use shall not be stored in the vicinity of this or any other appliance.

⚠ WARNING: Carefully follow all leak-check procedures in this Owner's Guide prior to grill operation. Do this even if the grill was dealer-assembled.

⚠ WARNING: Do not ignite this appliance without first reading the BURNER IGNITION sections of this Owner's Guide.

**THIS GAS APPLIANCE IS
DESIGNED FOR OUTDOOR
USE ONLY.**

NOTICE TO INSTALLER:
These instructions must be left with the owner, who should keep them for future use.



57205

US - ENGLISH
07/13/12

WARNINGS

⚠ DANGER

Failure to follow the DANGERS, WARNINGS and CAUTIONS contained in this Owner's Guide may result in serious bodily injury or death, or may result in a fire or an explosion causing damage to property.

WARNINGS:

- ⚠ Improper assembly of grill may be dangerous. Please follow the assembly instructions carefully.
- ⚠ Do not use this grill unless all parts are in place. The grill must be properly assembled according to the assembly instructions.
- ⚠ Your Weber® gas grill should never be used by children. Accessible parts of the grill may be very hot. Keep young children away while grill is in use.
- ⚠ Exercise caution when using your Weber® gas grill. It will be hot during cooking or cleaning, and should never be left unattended, or moved while in operation.
- ⚠ Do not use charcoal or lava rock in your Weber® gas grill.
- ⚠ While igniting the grill or cooking, never lean over open grill.
- ⚠ Never place hands or fingers on the front edge of the cookbox when the grill is hot or the lid is open.
- ⚠ Do not attempt to disconnect the gas regulator and hose assembly or any gas fitting while your grill is in operation.
- ⚠ Use heat-resistant barbecue mitts or gloves when operating grill.
- ⚠ Use the pressure regulator and hose assembly that is supplied with your Weber® gas grill.
- ⚠ Should the burners go out while grill is in operation, turn all gas valves off. Open the lid and wait five minutes before attempting to relight grill, using the igniting instructions.
- ⚠ Do not use the grill within 24 inches of combustible materials. This includes the top, bottom, back or sides of the grill.
- ⚠ Do not build this model of grill in any built-in or slide-in construction. Ignoring this WARNING could cause a fire or an explosion that can damage property and cause serious bodily injury or death.
- ⚠ Do not store an extra (spare) or disconnected liquid propane cylinder under or near this grill.
- ⚠ After a period of storage and/or nonuse, the Weber® gas grill should be checked for gas leaks and burner obstructions before use. See instructions in this Owner's Guide for correct procedures.
- ⚠ Do not operate the Weber® gas grill if there is a gas leak present.
- ⚠ Do not use a flame to check for gas leaks.
- ⚠ Do not put a grill cover or anything flammable on, or in the storage area under, the grill while grill is in operation or is hot.
- ⚠ Liquid propane gas is not natural gas. The conversion or attempted use of natural gas in a liquid propane gas unit or liquid propane gas in a natural gas unit is dangerous and will void your warranty.
- ⚠ Keep any electrical supply cord and the fuel supply hose away from any heated surfaces.
- ⚠ Do not enlarge valve orifices or burner ports when cleaning the valves or burners.
- ⚠ The Weber® gas grill should be thoroughly cleaned on a regular basis.
- ⚠ A dented or rusty liquid propane cylinder may be hazardous and should be checked by your liquid propane supplier. Do not use a liquid propane cylinder with a damaged valve.
- ⚠ Although your liquid propane cylinder may appear to be empty, gas may still be present, and the cylinder should be transported and stored accordingly.
- ⚠ If you see, smell or hear the hiss of gas escaping from the liquid propane cylinder:
 1. Move away from liquid propane cylinder.
 2. Do not attempt to correct the problem yourself.
 3. Call your fire department.
- ⚠ Should a grease fire occur, turn off all burners and leave lid closed until fire is out.

ADDITIONAL WARNINGS FOR STATE OF CALIFORNIA:

- ⚠ Combustion byproducts produced when using this product contain chemicals known to the state of California to cause cancer, birth defects, or other reproductive harm.
- ⚠ Proposition 65 Warning: Handling the brass material on this product exposes you to lead, a chemical known to the state of California to cause cancer, birth defects or other reproductive harm. (Wash hands after handling this product.)

WARRANTY

Weber-Stephen Products LLC (Weber) hereby warrants to the ORIGINAL PURCHASER of this Weber® gas grill that it will be free of defects in material and workmanship from the date of purchase as follows:

Aluminum castings:	25 years (2 years on paint; excludes fading)
Stainless steel shroud:	25 years
Porcelain-enameled shroud:	25 years
Stainless steel burner tubes:	10 years
Stainless steel cooking grates:	5 years no rust through or burn through
Stainless steel Flavorizer® bars:	5 years no rust through or burn through
Porcelain-enameled cast-iron cooking grates:	5 years no rust through or burn through
Porcelain-enameled cooking grates:	3 years no rust through or burn through
Porcelain-enameled Flavorizer® bars:	2 years no rust through or burn through
Infrared rotisserie burner:	2 years
All remaining parts:	2 years

when assembled and operated in accordance with the printed instructions accompanying it. Weber may require reasonable proof of your date of purchase. THEREFORE, YOU SHOULD RETAIN YOUR SALES SLIP OR INVOICE.

This Limited Warranty shall be limited to the repair or replacement of parts that prove defective under normal use and service and which on examination shall indicate, to Weber's satisfaction, they are defective. Before returning any parts, contact the Customer Service Representative in your area using the contact information on our website. If Weber confirms the defect and approves the claim, Weber will elect to replace such parts without charge. If you are required to return defective parts, transportation charges must be prepaid. Weber will return parts to the purchaser, freight or postage prepaid.

This Limited Warranty does not cover any failures or operating difficulties due to accident, abuse, misuse, alteration, misapplication, vandalism, improper installation or improper maintenance or service, or failure to perform normal and routine maintenance, including but not limited to damage caused by insects within the burner tubes, as set out in this Owner's Guide.

Deterioration or damage due to severe weather conditions such as hail, hurricanes, earthquakes or tornadoes, discoloration due to exposure to chemicals either directly or in the atmosphere, is not covered by this Limited Warranty.

There are no other express warranties except as set forth herein and any applicable implied warranties of merchantability and fitness are limited in duration to the period of coverage of this express written Limited Warranty. Some regions do not allow limitation on how long an implied warranty lasts, so this limitation may not apply to you.

Weber is not liable for any special, indirect or consequential damages. Some regions do not allow the exclusion or limitation of incidental or consequential damages, so this limitation or exclusion may not apply to you.

Weber does not authorize any person or company to assume for it any other obligation or liability in connection with the sale, installation, use, removal, return, or replacement of its equipment; and no such representations are binding on Weber.

This Warranty applies only to products sold at retail.

WEBER-STEPHEN PRODUCTS LLC
Customer Service Center
90 West Hillcrest Boulevard, Suite 208
Schaumburg, IL 60195
USA

For replacement parts, call:
1-800-446-1071

Visit www.weber.com®, select your country of origin, and register your grill today.

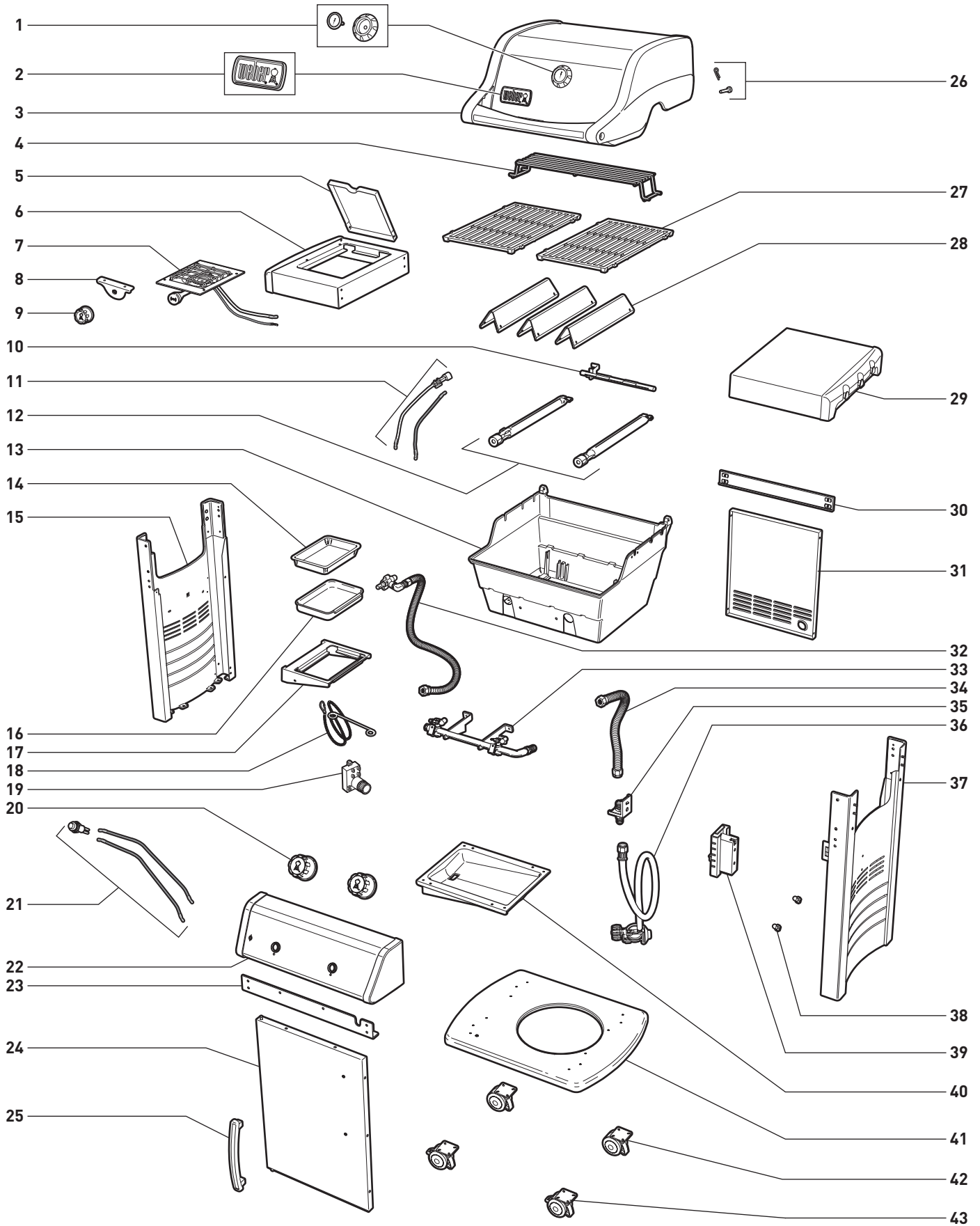
The grills illustrated in this Owner's Guide may have slight differences than the model purchased.

TABLE OF CONTENTS

WARNINGS	2
WARRANTY	3
TABLE OF CONTENTS	3
SPIRIT® E220 LP EXPLODED VIEW	4
SPIRIT® E320 LP EXPLODED VIEW	6
SPIRIT® SP320 LP EXPLODED VIEW	8
IMPORTANT INFORMATION ABOUT LP GAS	10
WHAT IS LIQUID PROPANE GAS?	10
SAFE HANDLING TIPS FOR LIQUID PROPANE GAS CYLINDERS	10
STORAGE AND/OR NONUSE	10
US INSTALLATION CODES	10
CANADIAN INSTALLATION CODES	10
US LP CYLINDER REQUIREMENTS	10
CANADIAN LP CYLINDER REQUIREMENTS	10
IMPORTANT INFORMATION ABOUT LP GAS CONNECTIONS	11
WHAT IS A REGULATOR?	11
REGULATOR CONNECTIONS	11
LP CYLINDER INSTALLATION AND REMOVAL	12
FUELING YOUR GRILL	12
INSTALLING THE LP CYLINDER	12
FUEL LEVEL	13
REMOVING THE LIQUID PROPANE CYLINDER FOR REFILLING OR REPLACEMENT	13
FILLING THE LP GAS CYLINDER	13
PREPARING TO USE YOUR GRILL	14
WHAT IS A LEAK CHECK?	14
PARTIAL DISASSEMBLY OF YOUR GRILL FOR A LEAK CHECK	14
CHECKING FOR GAS LEAKS	15
GRILLING TIPS & HELPFUL HINTS	16
TIPS & HINTS	16
PREHEATING	16
COVERED COOKING	16
FLAVORIZER® SYSTEM	16
DRIPPINGS AND GREASE	16
SAFETY CHECKS BEFORE USING YOUR GRILL	17
SAFETY FIRST	17
SLIDE-OUT GREASE TRAY	17
CATCH PAN AND DISPOSABLE DRIP PAN	17
HOSE INSPECTION	17
MAIN BURNER IGNITION & USAGE	18
METHODS OF BURNER IGNITION	18
MAIN BURNER IGNITION	18
TO EXTINGUISH BURNER	18
SIDE BURNER IGNITION & USAGE	20
ON THE SIDE	20
SIDE BURNER IGNITION	20
TO EXTINGUISH SIDE BURNER	20
TROUBLESHOOTING	22
GENERAL TROUBLESHOOTING	22
SIDE BURNER TROUBLESHOOTING	22
ANNUAL MAINTENANCE	23
BURNER FLAME PATTERN	23
WEBER® SPIDER/INSECT SCREENS	23
BURNER TUBE PORTS	23
KEEPING YOUR WEBER® GAS GRILL IN TIP-TOP SHAPE	23
BURNER TUBE CLEANING OR REPLACEMENT	24
STORAGE AND/OR NONUSE	28
ROUTINE MAINTENANCE	29
CLEANING THE OUTSIDE OF THE GRILL	29
CLEANING THE INSIDE OF THE GRILL	29
HOSE INSPECTION	29
BEAUTIFUL—INSIDE AND OUT	29
MAINTAINING THE ELECTRONIC CROSSOVER® IGNITION SYSTEM	30
CLEANING SIDE BURNER TUBE	31
SIDE BURNER MAINTENANCE	31

SPIRIT® E220 LP EXPLODED VIEW · DIAGRAMA DE DESPIECE · VUE ECLATEE

Spirit_E220_LP_US_042412



**SPIRIT® E220 LP
EXPLODED VIEW LIST**

1. Thermometer and Bezel
2. Logo Plate
3. Shroud Assembly
4. Warming Rack
5. Side Burner Lid
6. Side Burner Table
7. Side Burner Assembly
8. Side Burner Valve Plate
9. Side Burner Control Knob
10. Crossover® Burner Tube
11. Igniter Electrode
12. Burner Tube
13. Cookbox
14. Disposable Drip Pan
15. Left Frame Panel
16. Catch Pan
17. Catch Pan Holder
18. Matchstick Holder
19. Igniter Module
20. Control Knob
21. Igniter Button
22. Control Panel
23. Front Cross Brace
24. Door
25. Door Handle
26. Shroud Hardware
27. Cooking Grate
28. Flavorizer® Bar
29. Side Table
30. Rear Cross Brace
31. Rear Panel
32. Side Burner Gas Line Assembly
33. Manifold
34. Manifold Hose
35. Bulkhead
36. Hose & Regulator
37. Right Frame Panel
38. Cylinder Glide
39. Cylinder Scale
40. Slide-Out Grease Tray
41. Bottom Panel
42. Caster
43. Locking Caster

**SPIRIT® E220 LP
LISTA DEL DIAGRAMA DE DESPIECE**

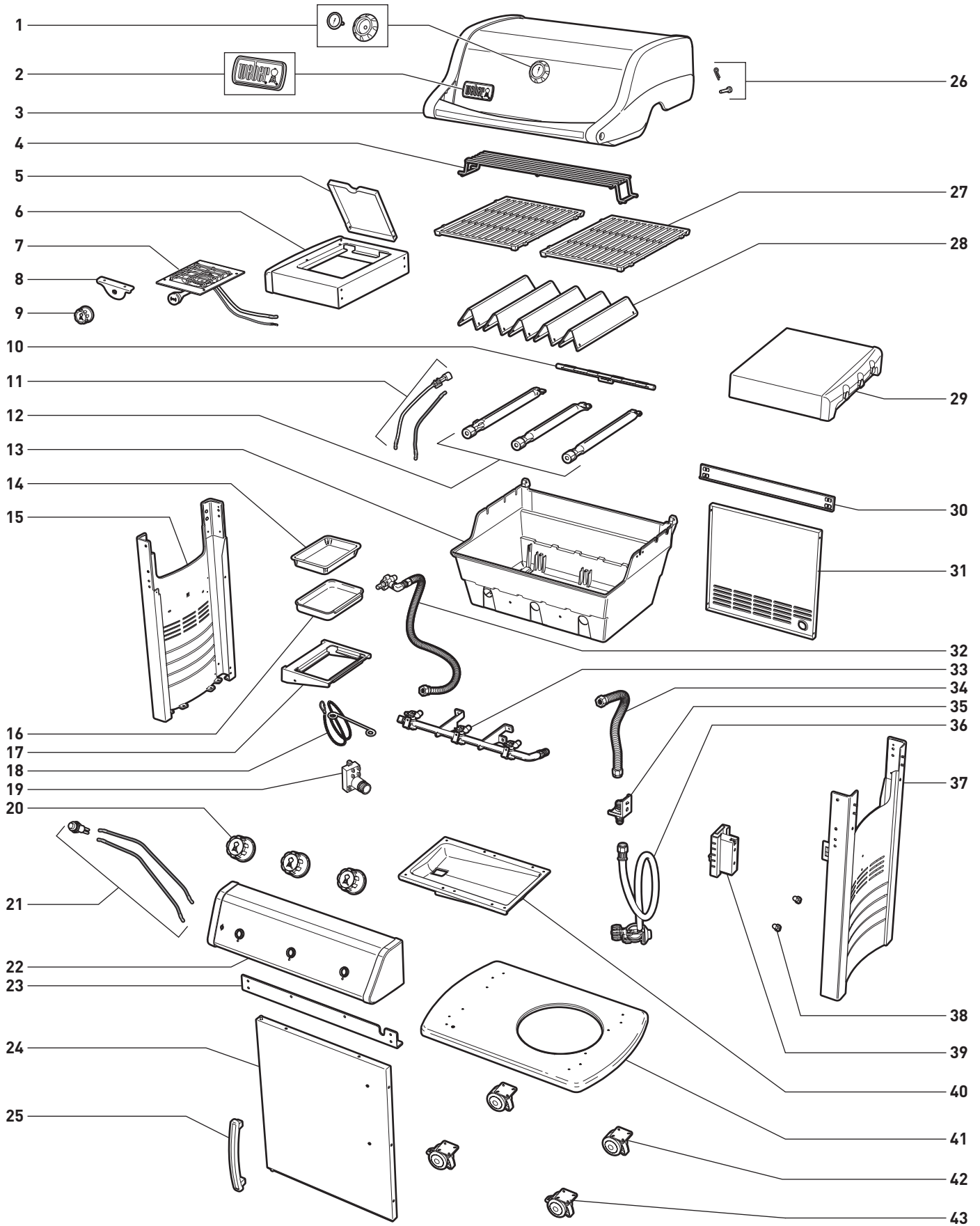
1. Termómetro y bisel
2. Placa del logotipo
3. Ensamblaje de la cubierta
4. Rejilla para calentar
5. Tapa del quemador lateral
6. Mesa del quemador lateral
7. Ensemble del quemador lateral
8. Plato de la válvula del quemador lateral
9. Perilla de control del quemador lateral
10. Tubo del quemador Crossover®
11. Electrodo de encendido
12. Tubo del quemador
13. Caja de cocción
14. Bandeja de goteo desechable
15. Panel izquierdo del bastidor
16. Plato recolector
17. Soporte del plato recolector
18. Portacerillos
19. Módulo de encendido
20. Perilla de control
21. Botón de encendido
22. Tablero de control
23. Refuerzo transversal delantero
24. Puerta
25. Asa de la puerta
26. Accesorios de la cubierta
27. Parrilla de cocción
28. Barra Flavorizer®
29. Mesa lateral
30. Refuerzo transversal posterior
31. Panel posterior
32. Ensemble de la línea de gas al quemador lateral
33. Múltiple
34. Manguera del múltiple
35. Bloque de conexiones
36. Manguera y regulador
37. Panel derecho del bastidor
38. Deslizadora del cilindro
39. Báscula del cilindro
40. Bandeja deslizante de grasa
41. Panel inferior
42. Rueda giratoria
43. Rueda giratoria con bloqueo

**SPIRIT® E220 LP
LISTE DE LA VUE ÉCLATÉE**

1. Thermomètre et plaque
2. Plaque du logo
3. Assemblage du châssis
4. Grille de maintien au chaud
5. Couvercle du brûleur latéral
6. Tablette du brûleur latéral
7. Assemblage du brûleur latéral
8. Plaque de la valve du brûleur latéral
9. Bouton de commande du brûleur latéral
10. Tube du brûleur Crossover®
11. Électrode de l'allumeur
12. Tube du brûleur
13. Boîtier de cuisson
14. Égouttoir jetable
15. Panneau du cadre gauche
16. Égouttoir
17. Support pour égouttoir
18. Porte-allumette
19. Module de l'allumeur
20. Bouton de commande
21. Bouton de l'allumeur
22. Panneau de commande
23. Croisillon avant
24. Porte
25. Poignée de porte
26. Quincaillerie du châssis
27. Grille de cuisson
28. Barre Flavorizer®
29. Tablette latérale
30. Croisillon arrière
31. Panneau arrière
32. Assemblage de la conduite de gaz du brûleur latéral
33. Collecteur
34. Tuyau du collecteur
35. Cloison
36. Tuyau & régulateur
37. Panneau du châssis droit
38. Glissière de la bouteille de gaz
39. Échelle de la bouteille de gaz
40. Plateau de récupération des graisses amovible
41. Panneau inférieur
42. Roulette
43. Roulette à verrouillage

SPIRIT® E320 LP EXPLODED VIEW · DIAGRAMA DE DESPIECE · VUE ECLATEE

Spirit_E320_LP_US_042412



**SPIRIT® E320 LP
EXPLODED VIEW LIST**

1. Thermometer and Bezel
2. Logo Plate
3. Shroud Assembly
4. Warming Rack
5. Side Burner Lid
6. Side Burner Table
7. Side Burner Assembly
8. Side Burner Valve Plate
9. Side Burner Control Knob
10. Crossover® Burner Tube
11. Igniter Electrode
12. Burner Tube
13. Cookbox
14. Disposable Drip Pan
15. Left Frame Panel
16. Catch Pan
17. Catch Pan Holder
18. Matchstick Holder
19. Igniter Module
20. Control Knob
21. Igniter Button
22. Control Panel
23. Front Cross Brace
24. Door
25. Door Handle
26. Shroud Hardware
27. Cooking Grate
28. Flavorizer® Bar
29. Side Table
30. Rear Cross Brace
31. Rear Panel
32. Side Burner Gas Line Assembly
33. Manifold
34. Manifold Hose
35. Bulkhead
36. Hose & Regulator
37. Right Frame Panel
38. Cylinder Glide
39. Cylinder Scale
40. Slide-Out Grease Tray
41. Bottom Panel
42. Caster
43. Locking Caster

**SPIRIT® E320 LP
LISTA DEL DIAGRAMA DE DESPIECE**

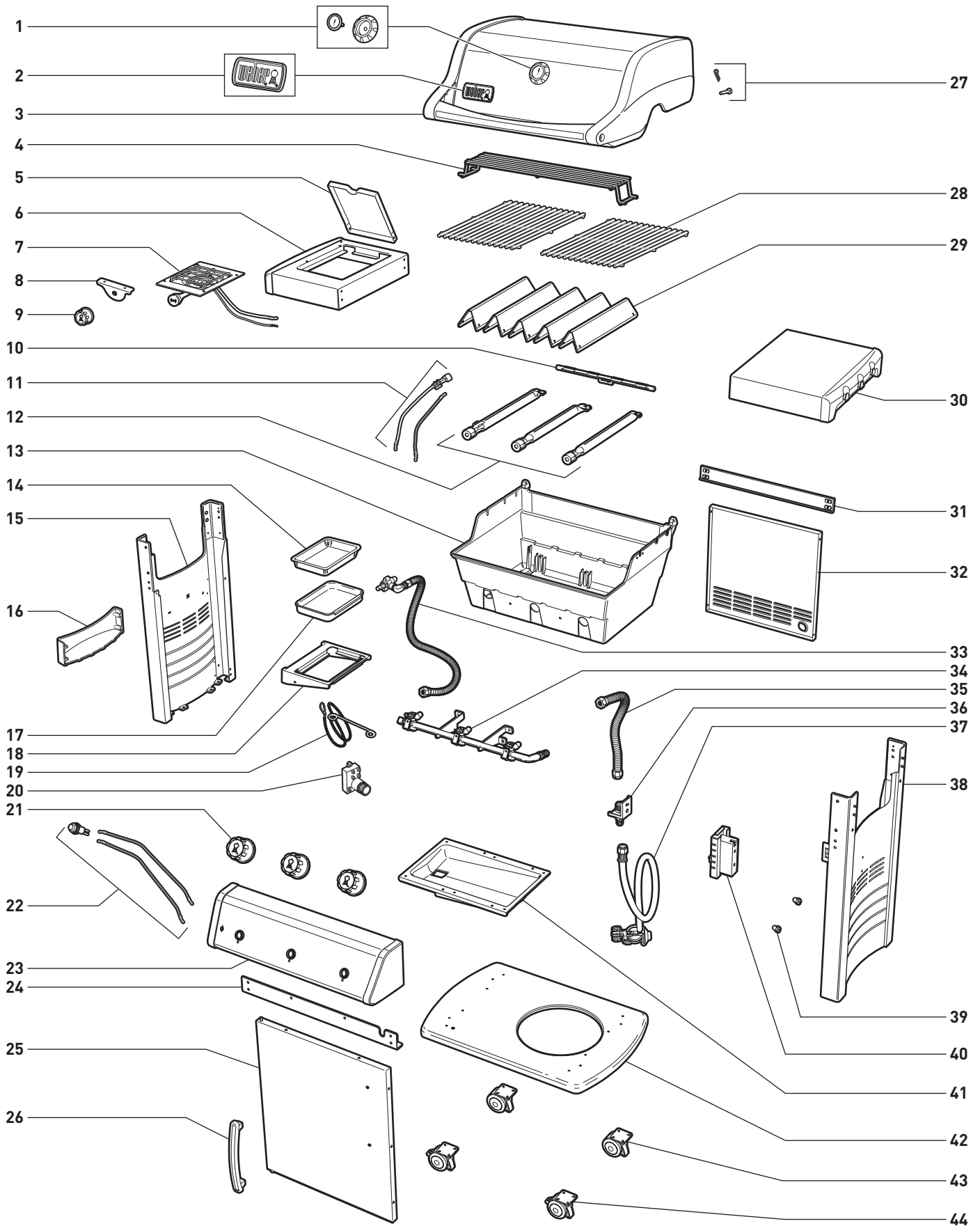
1. Termómetro y bisel
2. Placa del logotipo
3. Ensamblaje de la cubierta
4. Rejilla para calentar
5. Tapa del quemador lateral
6. Mesa del quemador lateral
7. Ensemble del quemador lateral
8. Plato de la válvula del quemador lateral
9. Perilla de control del quemador lateral
10. Tubo del quemador Crossover®
11. Electrodo de encendido
12. Tubo del quemador
13. Caja de cocción
14. Bandeja de goteo desechable
15. Panel izquierdo del bastidor
16. Plato recolector
17. Soporte del plato recolector
18. Portacerillos
19. Módulo de encendido
20. Perilla de control
21. Botón de encendido
22. Tablero de control
23. Refuerzo transversal delantero
24. Puerta
25. Asa de la puerta
26. Accesorios de la cubierta
27. Parrilla de cocción
28. Barra Flavorizer®
29. Mesa lateral
30. Refuerzo transversal posterior
31. Panel posterior
32. Ensemble de la línea de gas al quemador lateral
33. Múltiple
34. Manguera del múltiple
35. Bloque de conexiones
36. Manguera y regulador
37. Panel derecho del bastidor
38. Deslizadora del cilindro
39. Báscula del cilindro
40. Bandeja deslizante de grasa
41. Panel inferior
42. Rueda giratoria
43. Rueda giratoria con bloqueo

**SPIRIT® E320 LP
LISTE DE LA VUE ÉCLATÉE**

1. Thermomètre et bec
2. Plaque du logo
3. Assemblage du châssis
4. Grille de maintien au chaud
5. Couvercle du brûleur latéral
6. Tablette du brûleur latéral
7. Assemblage du brûleur latéral
8. Plaque de la valve du brûleur latéral
9. Bouton de commande du brûleur latéral
10. Tube du brûleur Crossover®
11. Électrode de l'allumeur
12. Tube du brûleur
13. Boîtier de cuisson
14. Égouttoir jetable
15. Panneau du châssis gauche
16. Égouttoir
17. Support pour l'égouttoir
18. Porte-allumette
19. Module de l'allumeur
20. Bouton de commande
21. Bouton de l'allumeur
22. Panneau de commande
23. Croisillon avant
24. Porte
25. Poignée de la porte
26. Quincaillerie du châssis
27. Grille de cuisson
28. Barre Flavorizer®
29. Tablette latérale
30. Croisillon arrière
31. Panneau arrière
32. Assemblage de la conduite de gaz du brûleur latéral
33. Collecteur
34. Tuyau du collecteur
35. Cloison
36. Tuyau & régulateur
37. Panneau du châssis droit
38. Glissière de la bouteille de gaz
39. Échelle de la bouteille de gaz
40. Plateau de récupération des graisses amovible
41. Panneau inférieur
42. Roulette
43. Roulette à verrouillage

SPIRIT® SP320 LP EXPLODED VIEW · DIAGRAMA DE DESPIECE · VUE ECLATEE

Spirit_SP320_LP_US_042412



SPIRIT® SP320 LP EXPLODED VIEW LIST

1. Thermometer and Bezel
2. Logo Plate
3. Shroud Assembly
4. Warming Rack
5. Side Burner Lid
6. Side Burner Table
7. Side Burner Assembly
8. Side Burner Valve Plate
9. Side Burner Control Knob
10. Crossover® Burner Tube
11. Igniter Electrode
12. Burner Tube
13. Cookbox
14. Disposable Drip Pan
15. Left Frame Panel
16. Condiment Basket
17. Catch Pan
18. Catch Pan Holder
19. Matchstick Holder
20. Igniter Module
21. Control Knob
22. Igniter Button
23. Control Panel
24. Front Cross Brace
25. Door
26. Door Handle
27. Shroud Hardware
28. Cooking Grate
29. Flavorizer® Bar
30. Side Table
31. Rear Cross Brace
32. Rear Panel
33. Side Burner Gas Line Assembly
34. Manifold
35. Manifold Hose
36. Bulkhead
37. Hose & Regulator
38. Right Frame Panel
39. Cylinder Glide
40. Cylinder Scale
41. Slide-Out Grease Tray
42. Bottom Panel
43. Caster
44. Locking Caster

SPIRIT® SP320 LP LISTA DEL DIAGRAMA DE DESPIECE

1. Termómetro y bisel
2. Placa del logotipo
3. Ensamblaje de la cubierta
4. Rejilla para calentar
5. Tapa del quemador lateral
6. Mesa del quemador lateral
7. Ensamble del quemador lateral
8. Plato de la válvula del quemador lateral
9. Perilla de control del quemador lateral
10. Tubo del quemador Crossover®
11. Electrodo de encendido
12. Tubo del quemador
13. Caja de cocción
14. Bandeja de goteo desechable
15. Panel izquierdo del bastidor
16. Cesta para los condimentos
17. Plato recolector
18. Soporte del plato recolector
19. Portacerillos
20. Módulo de encendido
21. Perilla de control
22. Botón de encendido
23. Tablero de control
24. Refuerzo transversal delantero
25. Puerta
26. Asa de la puerta
27. Accesorios de la cubierta
28. Parrilla de cocción
29. Barra Flavorizer®
30. Mesa lateral
31. Refuerzo transversal posterior
32. Panel posterior
33. Ensamble de la línea de gas al quemador lateral
34. Múltiple
35. Manguera del múltiple
36. Bloque de conexiones
37. Manguera y regulador
38. Panel derecho del bastidor
39. Deslizadora del cilindro
40. Báscula del cilindro
41. Bandeja deslizante de grasa
42. Panel inferior
43. Rueda giratoria
44. Rueda giratoria con bloqueo

SPIRIT® SP320 LP LISTE DE LA VUE ÉCLATÉE

1. Thermomètre et bec
2. Plaque du logo
3. Assemblage du châssis
4. Grille de maintien au chaud
5. Couvercle du brûleur latéral
6. Tablette du brûleur latéral
7. Assemblage du brûleur latéral
8. Plaque de la valve du brûleur latéral
9. Bouton de commande du brûleur latéral
10. Tube du brûleur Crossover®
11. Électrode de l'allumeur
12. Tube du brûleur
13. Boîtier de cuisson
14. Égouttoir jetable
15. Panneau du châssis gauche
16. Panier à condiments
17. Égouttoir
18. Support de l'égouttoir
19. Porte-allumettes
20. Module de l'allumeur
21. Bouton de commande
22. Bouton de l'allumeur
23. Panneau de commande
24. Croisillon avant
25. Porte
26. Poignée de la porte
27. Quincaillerie du châssis
28. Grille de cuisson
29. Barre Flavorizer®
30. Tablette latérale
31. Croisillon arrière
32. Panneau arrière
33. Assemblage de la conduite de gaz du brûleur latéral
34. Collecteur
35. Tuyau du collecteur
36. Cloison
37. Tuyau & régulateur
38. Panneau du châssis droit
39. Glissière de la bouteille de gaz
40. Échelle de la bouteille de gaz
41. Plateau de récupération des graisses amovible
42. Panneau inférieur
43. Roulette
44. Roulette à verrouillage

IMPORTANT INFORMATION ABOUT LP GAS

WHAT IS LIQUID PROPANE GAS?

Liquid propane (LP) is the flammable, petroleum-based product used to fuel your grill. It is a gas at moderate temperatures and pressure when it is not contained. But at moderate pressure inside a container, such as a cylinder, LP is a liquid. As pressure is released from the cylinder, the liquid readily vaporizes and becomes LP gas.

- LP has an odor similar to natural gas. You should be aware of this odor.
- LP is heavier than air. Leaking LP gas may collect in low areas and resist dispersion.

SAFE HANDLING TIPS FOR LIQUID PROPANE GAS CYLINDERS

There are various guidelines and safety factors that you need to keep in mind when using liquid propane (LP) gas. Carefully follow these instructions before using your Weber® gas grill.

- Always close the cylinder valve before disconnecting regulator.
- Do not use a damaged LP cylinder. A dented or rusty LP cylinder or an LP cylinder with a damaged valve may be hazardous and should be replaced with a new cylinder immediately.
- Treat "empty" LP cylinders with the same care as you treat full cylinders. Even when an LP cylinder is empty of liquid, there may still be gas pressure inside the cylinder.
- The LP cylinder must be installed, transported, and stored in an upright position. LP cylinders should not be dropped or handled roughly.
- Never store or transport the LP cylinder where temperatures can reach 125° F (the cylinder will become too hot to hold by hand). For example: do not leave the LP cylinder in a car on a hot day.
- Leak test the fitting where the regulator connects to the LP cylinder each time a reconnection occurs. For example: test each time the LP cylinder is refilled and reinstalled.
- LP cylinders must be kept out of reach of children.

STORAGE AND/OR NONUSE

For grills that have been stored or left unused for a while, it is important to follow these guidelines:

- The gas must be turned off at the LP cylinder when the Weber® gas grill is not in use.
- ⚠ **WARNING: Make sure that the LP cylinder valve is closed when the grill is not in use. Close by turning valve clockwise.**
- If storing the Weber® gas grill indoors, first DISCONNECT the gas supply and store the LP cylinder outdoors in a well-ventilated space.
- ⚠ **CAUTION: Place dust cap on cylinder valve outlet whenever the cylinder is not in use. Only install the type of dust cap on the cylinder valve outlet that is provided with the cylinder valve. Other types of caps or plugs may result in leakage of propane.**
- Do not store a disconnected LP cylinder in a building, garage, or any other enclosed area.
 - If you do not disconnect the LP cylinder from the Weber® gas grill, be sure to keep both the grill and the cylinder outdoors in a well-ventilated area.
 - The Weber® gas grill should be checked for gas leaks and any obstructions in the burner tubes before it is used. (Refer to "ANNUAL MAINTENANCE.")
 - Check that the areas under the control panel and the slide-out grease tray are free from debris that might obstruct the flow of combustion or ventilation air.
 - The spider/insect screens should also be checked for any obstructions. (Refer to "ANNUAL MAINTENANCE.")

US INSTALLATION CODES

Installation must conform with local codes or, in the absence of local codes, with either the National Fuel Gas Code, ANSI Z223.1/NFPA 54, Natural Gas and Propane Installation Code, CSA B149.1; or Propane Storage and Handling Code, B149.2; or the Standard for Recreational Vehicles, ANSI A 119.2/NFPA 1192, and CSA Z240 RV Series, Recreational Vehicle Code, as applicable.

CANADIAN INSTALLATION CODES

These instructions, while generally acceptable, do not necessarily comply with the Canadian installation codes, particularly with piping above and below ground. In Canada, the installation of this appliance must comply with local codes and/or Standard CSA-B149.2 (Propane Storage and Handling Code).

US LP CYLINDER REQUIREMENTS

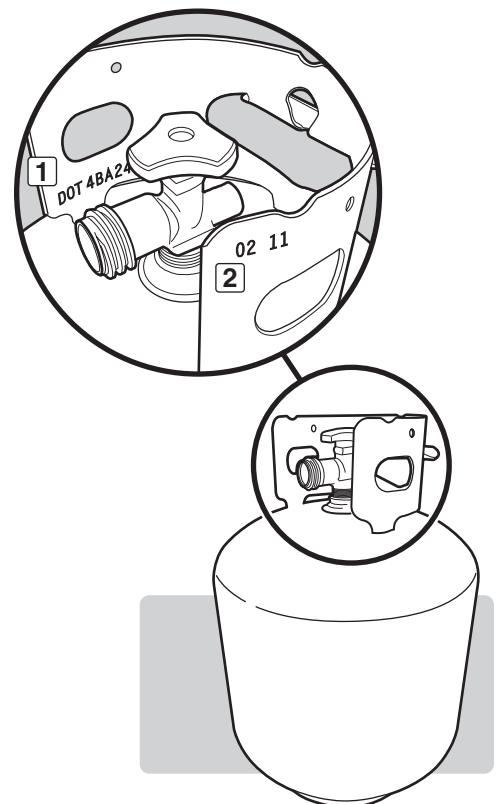
- Check to be sure that cylinders have a D.O.T. certification (1), and that the testing date (2) is within five years of current use. Your LP gas supplier can do this for you.
- All LP cylinder supply systems must include a collar to protect the cylinder valve.
- The LP cylinder must be a 20-lb. size, approximately 18¼ inches high and 12¼ inches in diameter.
- The cylinder must be constructed and marked in accordance with Specifications for LP - Gas Cylinders of the U.S. Department of Transportation (D.O.T.) or the National Standard of Canada, CAN/CSA-B339, Cylinders, Spheres and Tubes or Transportation of Dangerous Goods; and Commission, as applicable.

⚠ **WARNING: The liquid propane cylinder used with your grill must have a listed OPD (Overfilling Prevention Device) and a QCC1 or Type 1 (CGA810) cylinder connection. The cylinder connection must be compatible with the grill connection.**

CANADIAN LP CYLINDER REQUIREMENTS

- The LP cylinder must be constructed and marked in accordance with the specifications for LP gas cylinders, T.C.

NOTE: Your retailer can help you match a replacement cylinder to your grill.



IMPORTANT INFORMATION ABOUT LP GAS CONNECTIONS

WHAT IS A REGULATOR?

Your Weber® gas grill is equipped with a pressure regulator, which is a device to control and maintain uniform gas pressure as gas is released from the LP cylinder.

REGULATOR CONNECTIONS

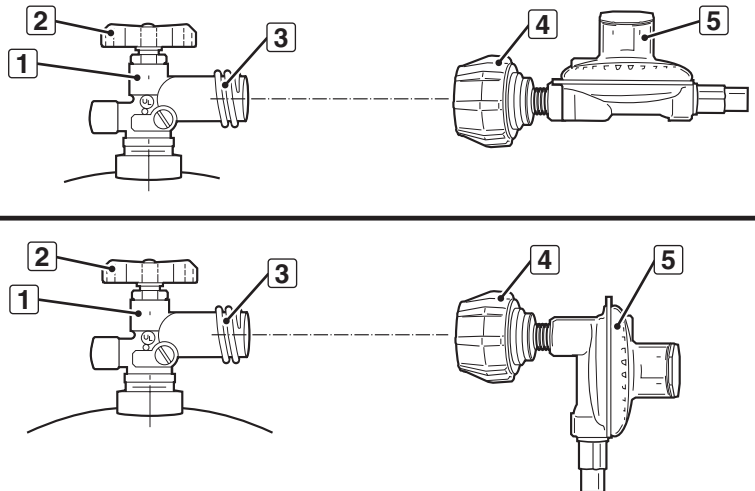
Each Weber® LP regulator is designed for vapor withdrawal and is equipped with a UL-listed Type 1 cylinder connection as described in the latest edition of ANSI Z21.58. THE LP CYLINDER THAT YOU CONNECT TO THE REGULATOR MUST BE EQUIPPED WITH A COMPATIBLE TYPE 1 CONNECTION IN THE CYLINDER VALVE. This Type 1 connection allows you to make a fast and safe hookup between your Weber® gas grill and the LP cylinder.

NOTE: Gas will not flow from the cylinder unless the Type 1 coupling is fully engaged.

- The pressure regulator supplied with the Weber® gas grill must be used. This regulator is set for 11 inches of water column pressure.
- Replacement pressure regulator and hose assemblies must be those specified by Weber-Stephen Products LLC.
- Be sure the regulator is mounted with the small vent hole pointed downward so that it will not collect water. This vent should be free of dirt, grease, bugs, etc.
- The gas connections supplied with your Weber® gas appliance have been designed and tested to meet 100% of CSA and ANSI requirements.

⚠ WARNING: Replacement LP cylinders must match the regulator connection supplied with this Weber® gas appliance.

TYPE 1 CONNECTIVE COUPLING



1	Type 1 Valve	4	Thermally Sensitive Nut
2	Hand Wheel	5	Propane Regulator
3	External Thread		

FUELING YOUR GRILL

Before using your grill for the first time, you need to obtain an LP cylinder. New cylinders can be purchased full; empty cylinders can be refilled or exchanged. You may choose to purchase a spare LP cylinder so that you don't run out of fuel in the middle of cooking a meal.

⚠ WARNING: Never store an extra (spare) LP cylinder under or near the Weber® gas grill.

INSTALLING THE LP CYLINDER

LP cylinders can vary based on the shape of the top collar assembly (the metal protective ring around the cylinder valve). Its shape determines how a cylinder will hang on the cylinder scale. One type of cylinder mounts with the valve facing forward (1). The other type mounts with the valve facing away from the fuel scale (2). To properly install your LP cylinder, first identify what type of cylinder you purchased. Weber recommends LP cylinders with a 47.6 lb water capacity. Other cylinders may be acceptable for use provided they are compatible with the appliance retention means (cylinder scale).

The LP cylinder is installed inside the base cabinet, on the cylinder scale (right side).

Prepare Grill for Cylinder Installation

- Check that all burner control knobs are in the off (O) position. Your grill was shipped with control knobs in the off (O) position, but you should check to be sure that they are turned off. Check by pushing in and turning knobs clockwise. If they do not turn, they are off. If they do turn, continue turning them clockwise until they stop; then they are off. If your grill has a side burner, make sure the side burner control knob is turned off.

- Open base cabinet door.

Install the LP Cylinder

- Loosen cylinder lock wing nut. Swing cylinder lock up (3).
- Turn the LP cylinder so the opening of the valve is either to the front or side of the Weber® gas grill.

⚠ WARNING: Make sure that the LP cylinder valve is closed. Close by turning valve clockwise.

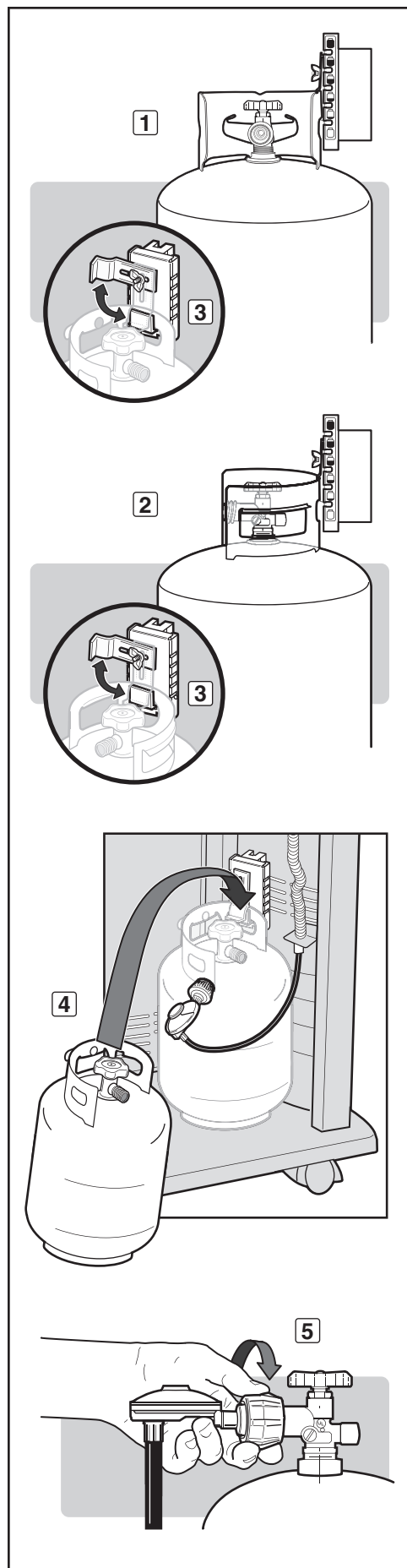
- Lift cylinder up into position on the cylinder scale (4).
- Swing the cylinder lock down. Tighten the wing nut.

Connect the Regulator / Hose to the Cylinder

- Remove the plastic dust cover from the cylinder valve.
- Screw the regulator coupling onto the cylinder valve, turning clockwise, or to the right (5). **Hand-tighten only.**

NOTE: This connection tightens clockwise and will not allow gas to flow unless the connection is tight.

⚠ WARNING: Do not use a wrench to tighten the connection. Using a wrench could damage the regulator coupling and could cause a leak.



LP CYLINDER INSTALLATION AND REMOVAL

FUEL LEVEL

The cylinder scale, a feature on some of our grills, will indicate the propane supply so you can refill the cylinder before running out of fuel. Check the fuel level by viewing the orange level indicator line, located on the side of the cylinder scale. When the indicator line is at the bottom, the cylinder is empty (1). When it is in the middle, the cylinder is half full (2). When it is at the top, the cylinder is full (3).

REMOVING THE LIQUID PROPANE CYLINDER FOR REFILLING OR REPLACEMENT

A full LP cylinder will last about 18–20 hours of cooking time at normal use. You do not have to run out of fuel before you can refill the cylinder. In fact, we recommend that you refill the LP cylinder before it is completely empty.

Removal of the LP Cylinder

- Close cylinder valve (turn clockwise) (4).
- Unscrew regulator coupling by turning counterclockwise, by hand only (5).
- Loosen cylinder lock wing nut and turn cylinder lock up out of the way (6).
- Lift cylinder off cylinder scale.

FILLING THE LP GAS CYLINDER

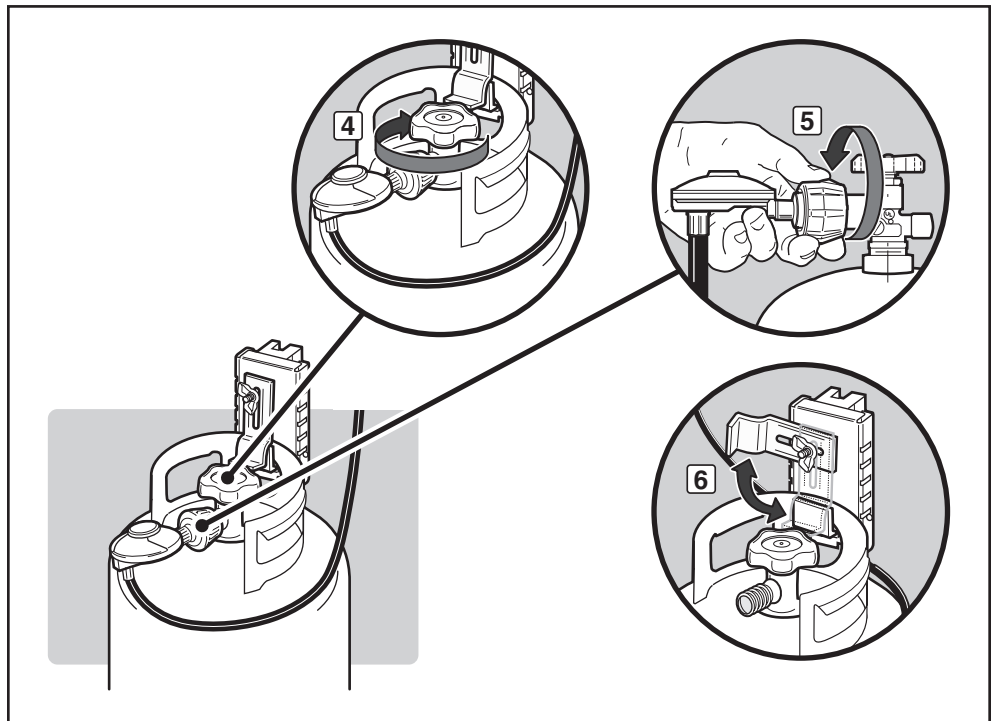
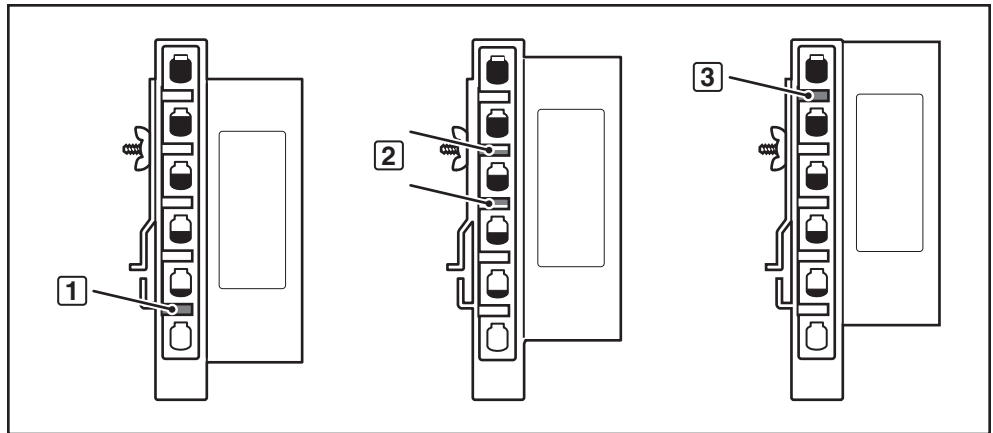
Proper filling of your cylinder is done by weight or volume, as described in NFPA 58. Please make sure your filling station uses one of these two methods, and ask your filling station to read the purging and filling instructions on the LP cylinder before attempting to fill it.

⚠ DANGER

NEVER store a spare LP cylinder under or near Weber® gas appliances. **NEVER** fill the cylinder beyond 80% full. Failure to follow these statements exactly may result in a fire causing death or serious injury.

⚠ WARNING: We recommend that your LP cylinder be filled at an authorized LP gas dealer, by a qualified attendant, who fills the cylinder by weight. **IMPROPER FILLING IS DANGEROUS.**

NOTE: Be certain cylinder is purged of trapped air prior to first filling. Your LP dealer is equipped to do this.



WHAT IS A LEAK CHECK?

The fuel system in your grill features many connections and fittings. A leak check is a reliable way to make sure that no gas is escaping from any of the connections or fittings.

Although all factory-made connections have been thoroughly checked for gas leaks, it's important to perform a leak check before using your grill for the first time, as well as anytime you disconnect and reconnect a fitting and each time you perform routine maintenance.

Safety must be considered when you are deciding where to place and operate your grill. Be sure to read the following warnings before installing or using your grill.

WARNINGS:

- ⚠ Only use this grill outdoors in a well-ventilated area. Do not use in a garage, building, breezeway or any other enclosed area.
- ⚠ Your Weber® gas grill shall not be used beneath overhead combustible construction.
- ⚠ Your Weber® gas grill is not intended to be installed in or on recreational vehicles and/or boats.
- ⚠ Do not use the grill within 24 inches of combustible materials. This includes the top, bottom, back or sides of the grill.
- ⚠ Keep the cooking area clear of flammable vapors and liquids such as gasoline, alcohol, etc., and combustible materials.
- ⚠ Keep ventilation openings for cylinder enclosure free and clear from debris.
- ⚠ The entire cookbox gets hot when in use. Do not touch.
- ⚠ Do not move the Weber® gas grill when operating or while grill is hot.

PARTIAL DISASSEMBLY OF YOUR GRILL FOR A LEAK CHECK

In order to do the leak check, you need to have access to the gas valves, which will require some simple grill disassembly.

Confirm that Grill Is Off

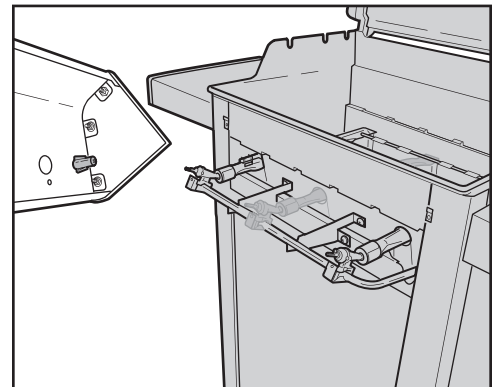
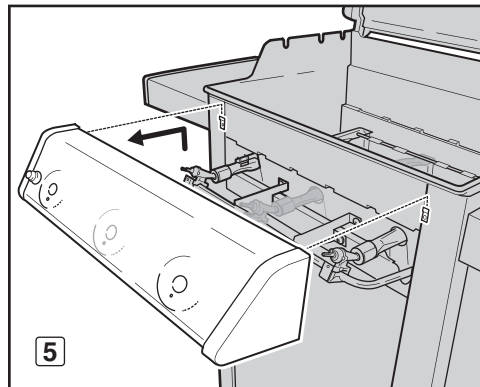
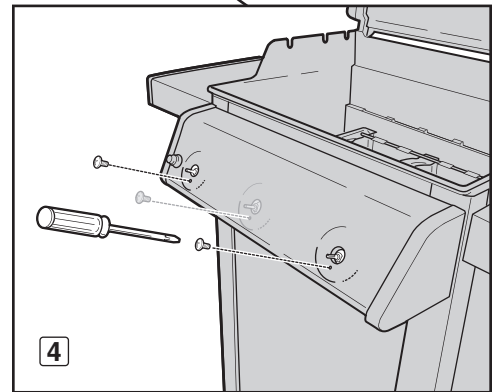
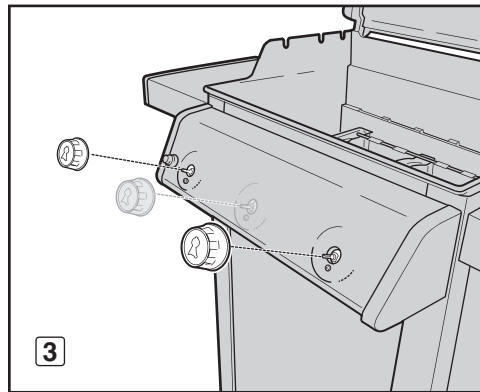
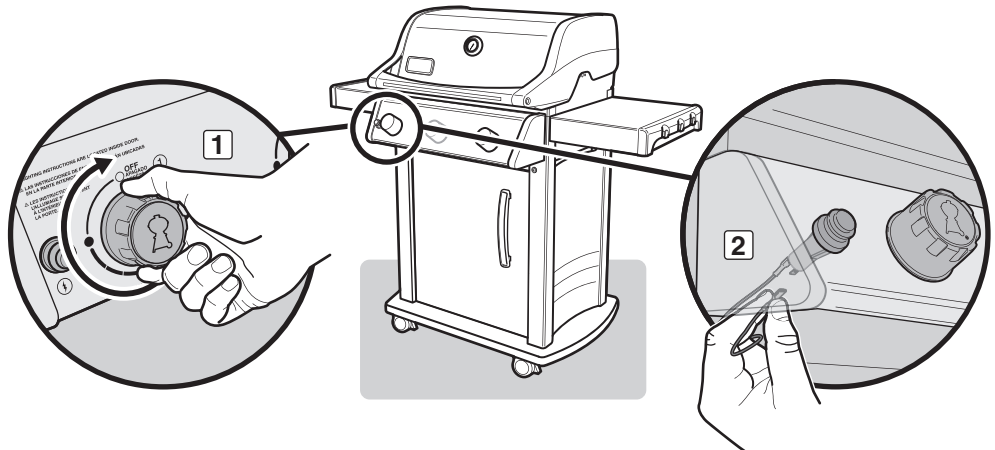
- A) Turn gas supply off at source.
- B) Check that **ALL** burner control knobs are in the off (○) position (1). Control knobs are shipped in the off (○) position, but you should check to be sure that they are turned off. Check by pushing control knobs in and turning them clockwise. If they do not turn, they are off. If they do turn, continue turning them clockwise until they stop; then they are off. If your grill has a side burner, make sure the side burner control knob is turned off.

Remove Control Panel

You will need: A Phillips screwdriver.

- A) Disconnect the two wires from the igniter button located on the underside of the control panel (2). *NOTE: Pull from terminals at ends of wires.*
- B) Remove control knobs (3).
- C) Remove the screws from the front of the control panel with a Phillips screwdriver (4).
- D) Carefully lift control panel up and then pull forward away from frame (5).

Your grill is now ready for a leak check. Proceed to "CHECKING FOR GAS LEAKS."



PREPARING TO USE YOUR GRILL

⚠ DANGER

Do not use an open flame to check for gas leaks. Be sure there are no sparks or open flames in the area while you check for leaks. Sparks or open flames will result in a fire or explosion, which can cause serious bodily injury or death and damage to property.

⚠ **WARNING:** The gas connections of your gas grill have been factory tested. We do, however, recommend that you leak check all gas connections before operating your gas grill.

⚠ **WARNING:** Perform these leak checks even if your grill was dealer or store assembled.

⚠ **WARNING:** You should check for gas leaks every time you disconnect and reconnect a gas fitting.

NOTE: All factory-made connections have been thoroughly checked for gas leaks and the burners have been flame-tested. As a safety precaution, however, you should check all fittings for leaks before using your Weber® gas grill. Shipping and handling may loosen or damage a gas fitting.

CHECKING FOR GAS LEAKS

You will need: A spray bottle or brush or rag and a soap and water solution. (You can make your own soap and water solution by mixing 20% liquid soap with 80% water; or, you can purchase leak check solution in the plumbing section of any hardware store.)

A) Turn gas supply on at source (1).

⚠ **WARNING:** Do not ignite burners when leak checking.

B) To check for leaks, wet fittings with the soap and water solution, using a spray bottle, brush or rag. If bubbles form, or if a bubble grows, there is a leak. Apply the soap and water solution to the following connections:

- Regulator hose-to-bulkhead connection (2).
- Corrugated manifold hose-to-bulkhead connection (3).
- Corrugated manifold hose-to-manifold connection (4).
- Side burner hose-to-manifold connection (5).
- Side burner hose-to-valve connection (6).

⚠ **WARNING:** If there is a leak at connections (2, 3, 4, 5 or 6), turn off the gas, tighten the fitting with a wrench, and recheck for leaks with soap and water solution. If a leak persists after tightening the fitting, turn off the gas. **DO NOT OPERATE THE GRILL.** Contact the Customer Service Representative in your area using the contact information on our web site. Log onto www.weber.com®.

- Regulator-to-cylinder connection (7).
- Regulator hose-to-regulator connection (8).
- Valves-to-manifold connections (9).

⚠ **WARNING:** If there is a leak at connections (7, 8, or 9), turn off the gas. **DO NOT OPERATE THE GRILL.** Contact the Customer Service Representative in your area using the contact information on our web site. Log onto www.weber.com®.

C) When leak checking is complete, turn gas supply off at the source and rinse connections with water.

NOTE: Since some leak test solutions, including soap and water, may be slightly corrosive, all connections should be rinsed with water after checking for leaks.

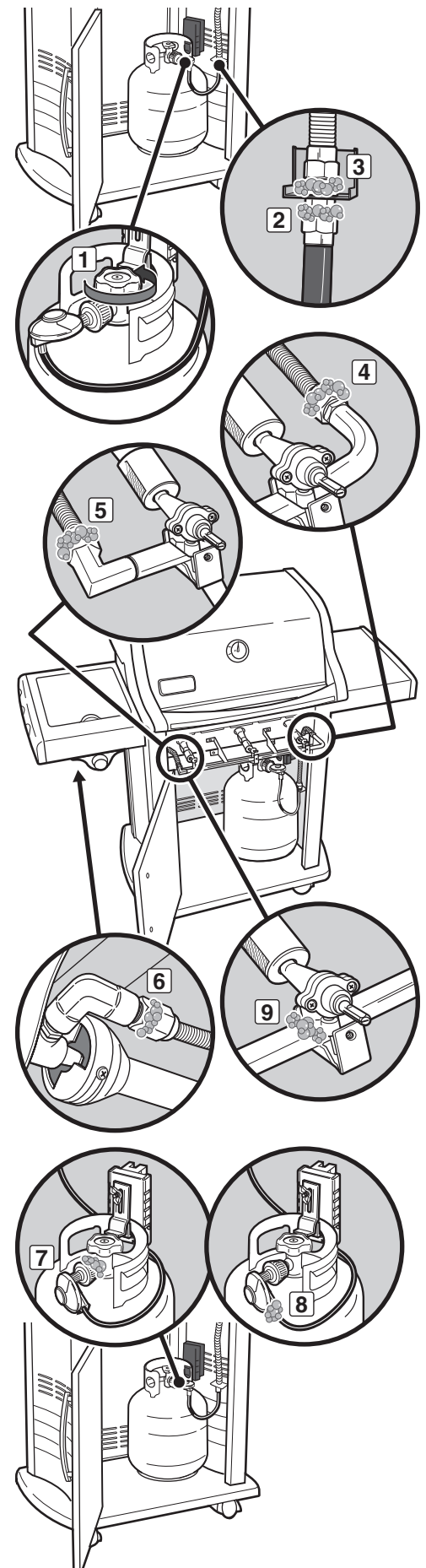
Reinstall Control Panel

You will need: A Phillips screwdriver.

- Align valve stems with holes in control panel. Position top edge of control panel on tabs of frame assembly. Push control panel down into position.
- Fasten control panel with screws.
- Place control knobs onto valve stems.
- Connect the wires to the igniter button.

⚠ **WARNING:** Make sure that all parts are assembled and hardware is fully tightened before operating the grill. Your actions, if you fail to follow this product warning, may cause a fire, an explosion, or structural failure resulting in serious personal injury or death as well as damage to property.

Now you are ready to use your grill.



TIPS & HINTS

- Always preheat the grill before cooking. Set all burners on high heat and close lid; preheat for 10 minutes, or until thermometer registers 500° – 550°F (260° – 290°C).
- The temperature of your gas grill may run hotter than normal for the first few uses.
- Recipe grilling times are based on outside temperatures of 70°F (20°C) and little or no wind. Allow for more cooking time on cold or windy days, or at higher altitudes. Allow for less cooking time in extremely hot weather.
- Grilling conditions may require adjustment of the burner controls to attain the correct cooking temperatures.
- Sear meats and cook with the lid down for perfectly grilled food every time.
- Crowding food onto a cooking grate means more time will be required to cook the food.
- Trim excess fat from steaks, chops, and roasts, leaving no more than a scant ¼ inch (6.4 mm) of fat. Less fat makes cleanup easier, and is a virtual guarantee against unwanted flare-ups.
- In general, large pieces of meat will require more cooking time per pound than small pieces of meat.
- Some foods, such as a casserole or thin fish fillets, will require a container for grilling. Disposable foil pans are very convenient, but any metal pan with ovenproof handles can also be used.
- Foods in containers, such as baked beans, will require more time if grilled in a deep casserole than in a shallow baking pan.
- Foods placed on the cooking grate directly above burners may require turning or moving to a less hot area.
- Use tongs rather than a fork for turning and handling meats to avoid losing natural juices. Use two spatulas for handling large whole fish.
- Always be sure the slide-out grease tray and catch pan are clean and free from debris.
- Do not line the slide-out grease tray with foil. This could prevent the grease from flowing into the catch pan.
- If an unwanted flare-up should occur, turn all burners off and move food to another area of the cooking grate. Any flames will quickly subside. After flames subside, relight the grill. **NEVER USE WATER TO EXTINGUISH FLAMES ON A GAS GRILL.**
- Using a timer will help to alert you when “well done” is about to become “overdone.”

PREHEATING

Preheating the grill before grilling is important. To preheat: Light your grill according to the instructions in the Owner's Guide; then turn all burners to start/high (†) position, close the lid, and preheat until the temperature reaches between 500° and 550°F (260° and 290°C), the recommended broiling temperature. This will take 10 to 15 minutes depending on conditions such as air temperature and wind. After preheating, you can adjust the individual burners as desired.

⚠ WARNING: Should the burners go out while grill is in operation, turn all gas valves off. Open the lid and wait five minutes before attempting to relight grill, using the igniting instructions.

COVERED COOKING

All grilling is done with the lid down to provide uniform, evenly circulated heat. With the lid closed, the gas grill cooks much like a convection oven. The thermometer in the lid indicates the cooking temperature inside the grill. All preheating and grilling is done with the lid down. No peeking — heat is lost every time you lift the lid.

FLAVORIZER® SYSTEM

The closed lid and Flavorizer® bars produce that “outdoor” flavor in the food. When meat juices drip from the food onto the specially angled Flavorizer® bars, they create smoke that gives foods an irresistible barbecued flavor. Thanks to the unique design of the burners, the Flavorizer® bars, and the flexible temperature controls, uncontrolled flare-ups are virtually eliminated, because YOU control the flames.

DRIPPINGS AND GREASE

Because of the special design of the Flavorizer® bars and burners, excess fats are directed down the slide-out grease tray and into the catch pan. Disposable drip pans that fit the catch pan are available.

SAFETY CHECKS BEFORE USING YOUR GRILL

SAFETY FIRST

It's sensible and smart to get in the habit of performing a few safety checks before grilling.

When you are getting ready to grill, your first thought should always be safety. Following are a few safety checks that you should perform each time you grill.

SLIDE-OUT GREASE TRAY

Your grill was built with a grease collection system, which funnels grease away from food and into removable containers.

Check the slide-out grease tray for grease build-up each time you use your grill. Remove excess grease with a plastic scraper (1). Wash the grease tray with a soap and water solution and rinse with water.

⚠ CAUTION: Do not line the slide-out grease tray with aluminum foil.

CATCH PAN AND DISPOSABLE DRIP PAN

Grease from the slide-out grease tray funnels into a catch pan. Cleaning the catch pan is just as important as cleaning the slide-out grease tray.

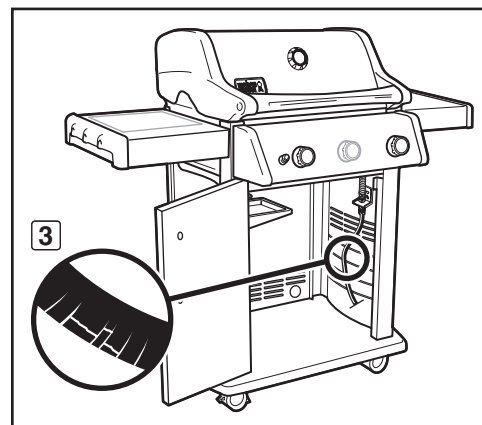
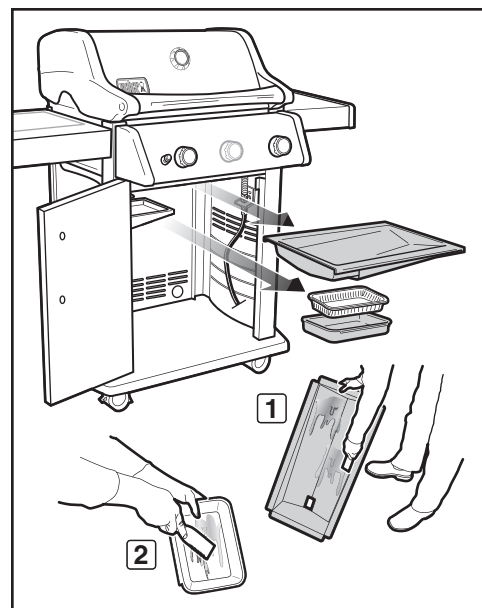
Check the catch pan for grease build-up each time you use your grill. Remove excess grease with a plastic scraper (2). Wash the catch pan with warm, soapy water and rinse with water. To keep the catch pan cleaner longer, you can line the catch pan with a Weber® disposable drip pan or with aluminum foil.

⚠ WARNING: Check the slide-out grease tray and catch pan for grease build-up before each use. Remove excess grease to avoid a grease fire. A grease fire can cause serious bodily injury or damage to property.

HOSE INSPECTION

The hose should be inspected routinely for any signs of cracking (3).

⚠ WARNING: Check hose before each use of grill for nicks, cracking, abrasions or cuts. If the hose is found to be damaged in any way, do not use the grill. Replace using only Weber® authorized replacement hose. Contact the Customer Service Representative in your area using the contact information on our web site. Log onto www.weber.com®.



METHODS OF BURNER IGNITION

There are two ways to ignite burner 1. The first is by using the electronic Crossover® ignition system built into your grill. The second is with a match.

Next are the steps for igniting your grill using the electronic Crossover® ignition system. On the following page are steps for igniting your grill with a match.

Summary lighting instructions are inside the cabinet door.

MAIN BURNER IGNITION

Electronic Crossover® Ignition System

The electronic Crossover® ignition system ignites burner 1 with a spark from the igniter electrode inside the Gas Catcher™ ignition chamber. You generate the energy for the spark by pushing the igniter button. You will hear the igniter clicking. Burner(s) 2 (and 3) can be lit after burner 1 is lit.

A) Open the grill lid (1).

⚠ DANGER

Failure to open the lid before igniting the grill's burners, or not waiting five minutes to allow the gas to clear if the grill does not light, may result in an explosive flare-up which can cause serious bodily injury or death.

B) Make sure ALL burner control knobs are turned off (2). Check by pushing control knobs in and turning them clockwise until they stop.

⚠ **WARNING:** The burner control knobs must be in the off (○) position before you turn on the LP cylinder valve. If they are not in the off (○) position when you turn on the LP cylinder valve, the “excess gas flow control” feature will activate, limiting the flow of gas from the LP cylinder. If this should occur, turn off the LP cylinder valve and burner control knobs. Start over.

⚠ DANGER

When the “excess gas flow control” feature is activated, a small amount of gas is still flowing to the burners. After turning off the LP cylinder valve and burner control knobs, wait at least five minutes for the gas to clear before attempting to light the grill. Failure to do so may result in an explosive flare-up, which can cause serious bodily injury or death.

C) Turn the LP cylinder on by **SLOWLY** turning the cylinder valve counterclockwise (3).
 D) Push burner 1 control knob in and turn it counterclockwise to start/high (⚡) position (4).
IMPORTANT: Always ignite burner 1 first. The other burner(s) ignite from burner 1.
 E) Push and hold in the igniter button (5). You will hear the igniter clicking.
 F) Check that burner 1 is lit by looking through the cooking grates. You should see a flame.

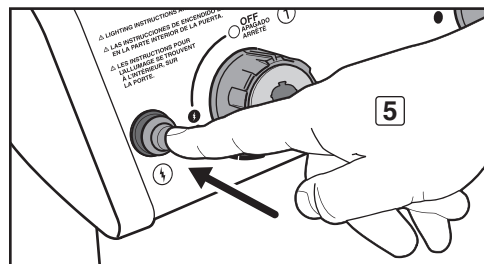
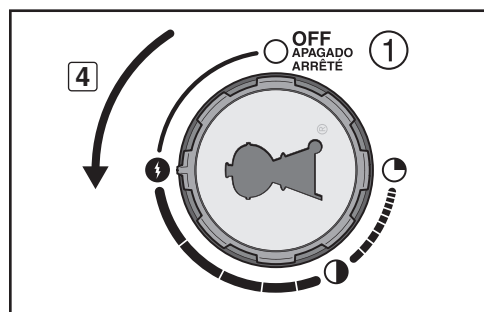
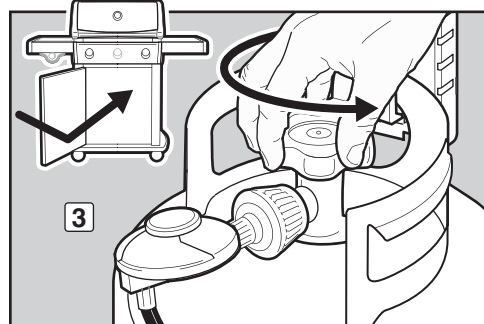
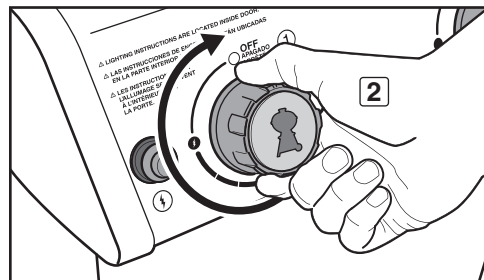
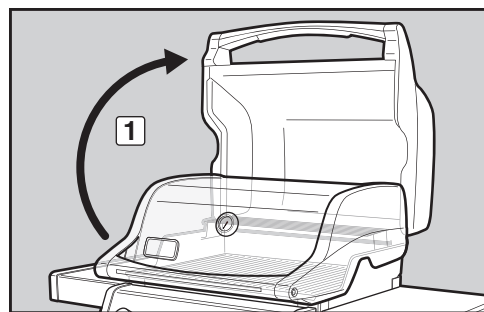
⚠ **WARNING:** Do not lean over the open grill.

⚠ **WARNING:** If burner 1 fails to ignite within five seconds, stop, turn the burner control knob to off and wait five minutes to allow the gas to clear before you try again or light with a match.

G) After burner 1 is lit, you can turn on burner 2 (and burner 3).

TO EXTINGUISH BURNER

Push each burner control knob in and turn it clockwise to the off (○) position. Turn gas supply off at the source.



Some batteries have a plastic protective wrap around them. This plastic must be removed before you attempt to ignite your grill with the electronic Crossover® ignition system. Do not confuse this plastic with the battery label.

MAIN BURNER IGNITION & USAGE

MAIN BURNER IGNITION

Lighting with a Match

A) Open the grill lid (1).

⚠ DANGER

Failure to open the lid before igniting the grill's burners, or not waiting five minutes to allow the gas to clear if the grill does not light, may result in an explosive flare-up which can cause serious bodily injury or death.

B) Make sure ALL burner control knobs are turned off (2). Check by pushing control knobs in and turning them clockwise until they stop.

⚠ WARNING: The burner control knobs must be in the off (○) position before you turn on the LP cylinder valve. If they are not in the off (○) position when you turn on the LP cylinder valve, the “excess gas flow control” feature will activate, limiting the flow of gas from the LP cylinder. If this should occur, turn off the LP cylinder valve and burner control knobs. Start over.

⚠ DANGER

When the “excess gas flow control” feature is activated, a small amount of gas is still flowing to the burners. After turning off the LP cylinder valve and burner control knobs, wait at least five minutes for the gas to clear before attempting to light the grill. Failure to do so may result in an explosive flare-up, which can cause serious bodily injury or death.

- C) Turn the LP cylinder on by **SLOWLY** turning the cylinder valve counterclockwise (3).
- D) Put match in the matchstick holder and strike match. Insert matchstick holder with lit match down through the cooking grates, past the Flavorizer® bars and next to burner 1 (4).
- E) Push burner 1 control knob in and turn it counterclockwise to start/high (⚡) position (5).
- IMPORTANT:** Always ignite burner 1 first. The other burner(s) ignite from burner 1.
- F) Check that burner 1 is lit by looking through the cooking grates. You should see a flame.

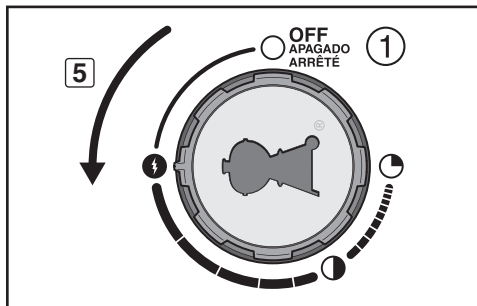
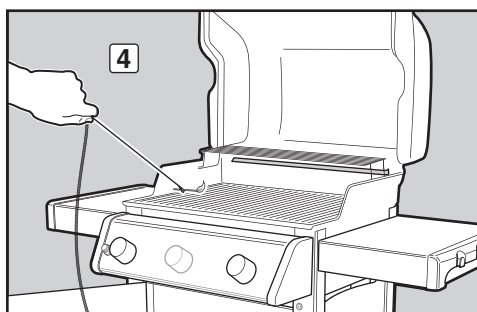
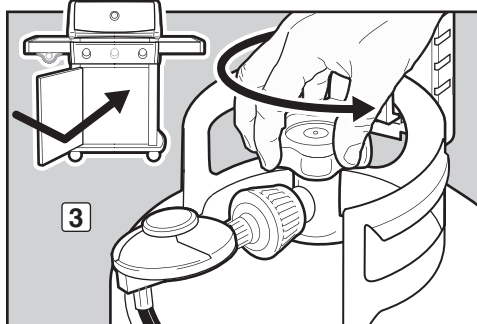
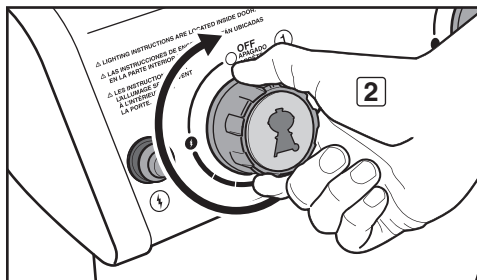
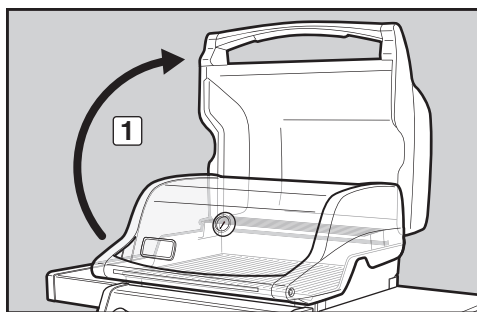
⚠ WARNING: Do not lean over the open grill.

⚠ WARNING: If burner 1 fails to ignite within five seconds, stop, turn the burner control knob to off and wait five minutes to allow the gas to clear before you try again.

G) After burner 1 is lit, you can turn on burner 2 (and burner 3).

TO EXTINGUISH BURNER

Push each burner control knob in and turn it clockwise to the off (○) position. Turn gas supply off at the source.



SIDE BURNER IGNITION & USAGE

ON THE SIDE...

To maximize your cooking space and to help you multitask, your grill was designed with a side burner. Igniting the side burner is easy. It uses the same igniter button as the main burners, but it ignites independently.

Summary lighting instructions are inside the cabinet door.

SIDE BURNER IGNITION

Lighting with the Igniter Button

Unlike the main burners, the side burner does not ignite from burner 1. Below are the steps that apply to igniting the side burner using the igniter button.

A) Open the side burner lid (1).

⚠ DANGER

Failure to open the lid before igniting the side burner, or not waiting five minutes to allow the gas to clear if the side burner does not light, may result in an explosive flare-up which can cause serious bodily injury or death.

- B) Check that the side burner valve is turned off by pushing side burner control knob in and turning it clockwise until it stops (2). Turn all burners not being used to the off (O) position by pushing all control knobs in and turning them clockwise until they stop.
- C) If it is not on already, turn the LP cylinder on by **SLOWLY** turning the cylinder valve counterclockwise (3).
- D) Push in and turn side burner control knob counterclockwise to start/high (H) position (4).
- E) Push and hold in the igniter button (5). You will hear the igniter clicking. You should see a flame.

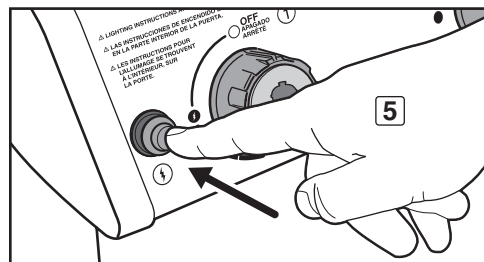
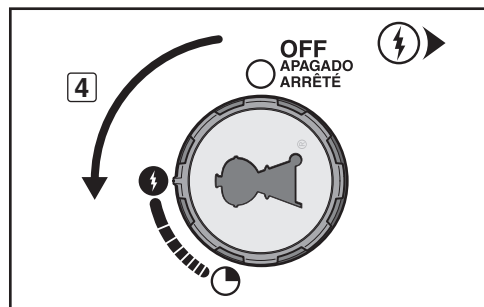
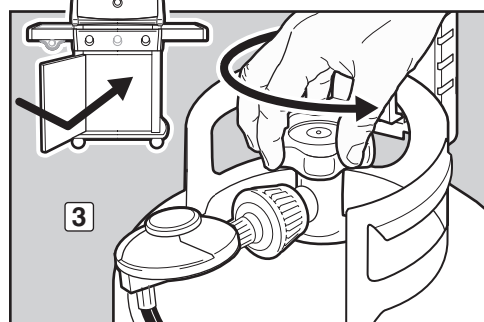
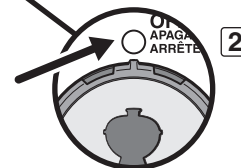
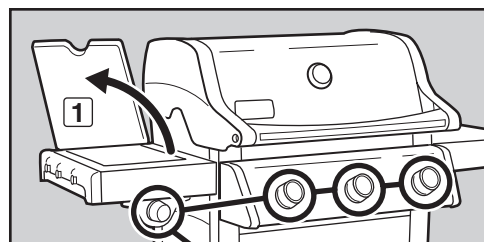
⚠ CAUTION: Side burner flame may be difficult to see on a bright sunny day.

⚠ WARNING: If the side burner does not light in five seconds:

- a) Turn off the side burner and main burner control knobs and gas supply at source.
- b) Wait five minutes to let the gas clear before you try again or try lighting with a match (refer to "Lighting with a Match").

TO EXTINGUISH SIDE BURNER

Push side burner control knob in and turn it clockwise to the off (O) position. Be sure the side burner is off and cool before closing the side burner lid.



SIDE BURNER IGNITION & USAGE

SIDE BURNER IGNITION

Lighting with a Match

A) Open the side burner lid (1).

⚠ DANGER

Failure to open the lid before igniting the side burner, or not waiting five minutes to allow the gas to clear if the side burner does not light, may result in an explosive flare-up which can cause serious bodily injury or death.

B) Check that the side burner valve is turned off by pushing side burner control knob in and turning it clockwise until it stops (2). Turn all burners not being used to the off (○) position by pushing all control knobs in and turning them clockwise until they stop.

C) If it is not on already, turn the LP cylinder on by **SLOWLY** turning the cylinder valve counterclockwise (3).

D) Put match in the matchstick holder and strike match. Place matchstick holder with lit match close to side burner (4).

E) Push in and turn side burner control knob counterclockwise to start/high (†) position (5). You should see a flame.

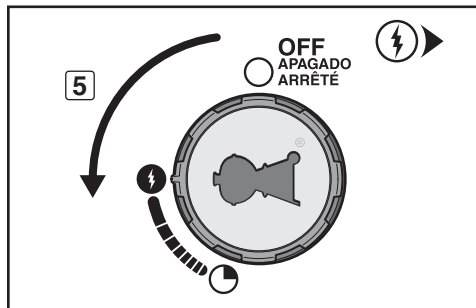
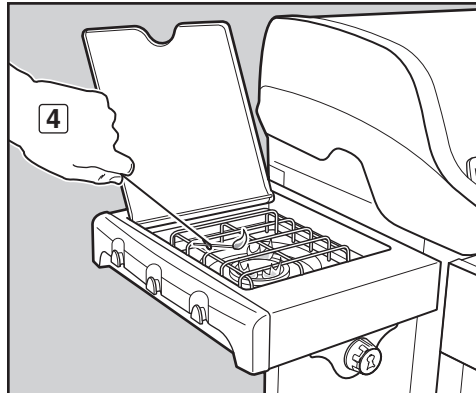
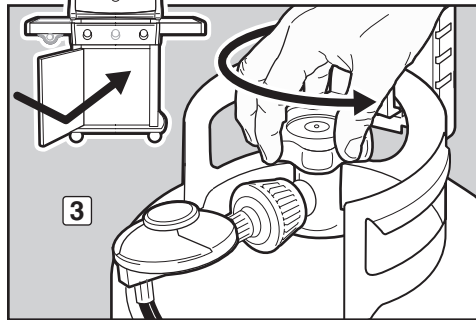
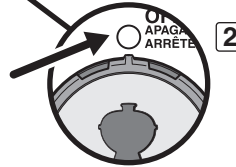
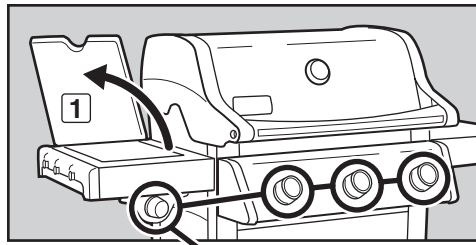
⚠ CAUTION: Side burner flame may be difficult to see on a bright sunny day.

⚠ WARNING: If the side burner does not light in five seconds:

- a) Turn off the side burner and main burner control knobs and gas supply at source.
- b) Wait five minutes to let the gas clear before you try again.

TO EXTINGUISH SIDE BURNER

Push side burner control knob in and turn it clockwise to the off (○) position. Be sure the side burner is off and cool before closing the side burner lid.



TROUBLESHOOTING

GENERAL TROUBLESHOOTING

PROBLEMS	SOLUTIONS
Burner does not ignite when you push the igniter button.	<p>Be sure that there is gas flow to the burners by attempting to match light your burners. Refer to “MAIN BURNER IGNITION—Lighting with a Match.” If match lighting is successful, the problem lies in the ignition system. Refer to “MAINTAINING THE ELECTRONIC CROSSOVER® IGNITION SYSTEM.”</p> <p>Be sure that wires are correctly inserted into terminals on igniter module. Check that the wires are connected to terminals on igniter button under the control panel. Refer to “IGNITER MODULE WIRE GUIDE.”</p> <p>If a new battery is installed, confirm that battery’s plastic wrapping has been removed. Verify that the battery is in good condition and has been installed correctly. Refer to “MAINTAINING THE ELECTRONIC CROSSOVER® IGNITION SYSTEM.”</p>
<p>Burners do not ignite.</p> <p>Burners have a small flickering flame when burner control knobs are in the high (†) position.</p> <p>Grill temperature only reaches 250° to 300° F in the high (†) position.</p>	<p>The excess flow safety device, which is part of the grill-to-cylinder connection, may have been activated. To reset the excess flow safety device, refer to “MAIN BURNER IGNITION.”</p> <p>⚠ DANGER: When the “excess gas flow control” feature is activated, a small amount of gas is still flowing to the burners. After turning off the LP cylinder valve and burner control knobs, wait at least five minutes for the gas to clear before attempting to light the grill. Failure to do so may result in an explosive flare-up, which can cause serious bodily injury or death.</p>
Burner does not ignite, or flame is low in high (†) position.	<p>LP fuel could be low or empty. Refill LP cylinder.</p> <p>Fuel hose could be bent or kinked. Straighten fuel hose.</p>
<p>Burner flame pattern is erratic.</p> <p>Flame is low when burner is on high (†) position.</p> <p>Flames do not run the whole length of the burner tube.</p>	<p>Clean burner ports that run down the entire length of burner tube. Refer to “ANNUAL MAINTENANCE.”</p>
Burners burn with a yellow or orange flame, in conjunction with the smell of gas.	<p>Inspect spider/insect screens for possible obstructions. (Blockage of holes.) Clean spider/insect screens. Refer to “ANNUAL MAINTENANCE.”</p>
Experiencing flare-ups.	<p>Grill must be preheated with all burners on high for 10 to 15 minutes.</p>
⚠ CAUTION: Do not line the slide-out grease tray with aluminum foil.	<p>Clean the cooking grates and Flavorizer® bars thoroughly to remove grease. Refer to “CLEANING THE INSIDE OF THE GRILL.”</p> <p>The slide-out grease tray may be dirty and is not allowing grease to flow into catch pan. Clean slide-out grease tray.</p>
Inside of lid appears to be “peeling.” (Resembles paint peeling.)	<p>The inside of the lid is porcelain enamel or stainless steel. It is not painted. It cannot “peel.” What you are seeing is baked-on grease that has turned to carbon and is flaking off. THIS IS NOT A DEFECT. Clean thoroughly. Refer to “CLEANING THE INSIDE OF THE GRILL.”</p>

If problems cannot be corrected by using these methods, please contact the Customer Service Representative in your area using the contact information on our web site. Log onto www.weber.com®.

SIDE BURNER TROUBLESHOOTING

PROBLEMS	SOLUTIONS
Side burner does not ignite when you push the igniter button.	<p>Be sure that there is gas flow to the burner by attempting to match light your side burner. Refer to “SIDE BURNER IGNITION—Lighting with a Match.” If match lighting is successful, the problem lies in the ignition system. Refer to “MAINTAINING THE ELECTRONIC CROSSOVER® IGNITION SYSTEM.”</p> <p>Be sure that wires are correctly inserted into terminals on igniter module. Check that the wires are connected to terminals on igniter button under the control panel. Refer to “IGNITER MODULE WIRE GUIDE.”</p> <p>If a new battery is installed, confirm that battery’s plastic wrapping has been removed. Verify that the battery is in good condition and has been installed correctly. Refer to “MAINTAINING THE ELECTRONIC CROSSOVER® IGNITION SYSTEM.”</p>
Side burner does not ignite.	<p>Be sure that gas supply is on.</p> <p>The excess flow safety device, which is part of the grill-to-cylinder connection, may have been activated. To reset the excess flow safety device, refer to “MAIN BURNER IGNITION.”</p> <p>⚠ DANGER: When the “excess gas flow control” feature is activated, a small amount of gas is still flowing to the burners. After turning off the LP cylinder valve and burner control knobs, wait at least five minutes for the gas to clear before attempting to light the grill. Failure to do so may result in an explosive flare-up, which can cause serious bodily injury or death.</p>
Side burner does not ignite, or flame is low when burner is on high (†) position.	<p>LP fuel could be low or empty. Refill LP cylinder.</p> <p>Fuel hose could be bent or kinked. Straighten fuel hose.</p>

If problems cannot be corrected by using these methods, please contact the Customer Service Representative in your area using the contact information on our web site. Log onto www.weber.com®.

ANNUAL MAINTENANCE

KEEPING YOUR WEBER® GAS GRILL IN TIP-TOP SHAPE

⚠ DANGER

Failure to correct any problems described on this page may result in a fire, which can cause serious bodily injury or death, and cause damage to property.

To keep your Weber® gas grill performing as safely and efficiently as on day one, we strongly recommend that you inspect and clean the spider/insect screens and burner tubes at least once a year. Below is important information about these two areas of the grill that should undergo annual maintenance.

If you observe an incorrect flame pattern or blocked burner ports, proceed to the “BURNER TUBE CLEANING OR REPLACEMENT” instructions on the following pages.

BURNER FLAME PATTERN

The burner tubes in your Weber® gas grill were factory set for the correct air and gas mixture. The correct flame pattern is shown in illustration and described below:

- Burner tube (1)
- Tips occasionally flicker yellow (2)
- Light blue (3)
- Dark blue (4)

Check burner flame pattern. If the flames do not match the above description, it could be an indication that the spider/insect screens have become dirty or blocked.

WEBER® SPIDER/INSECT SCREENS

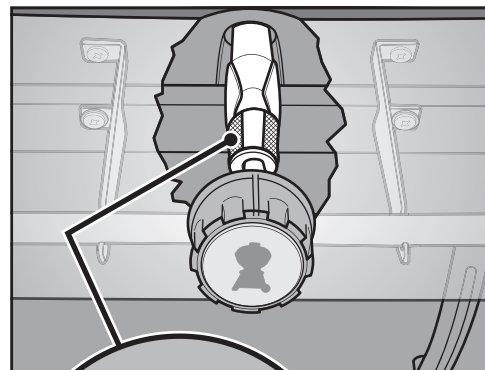
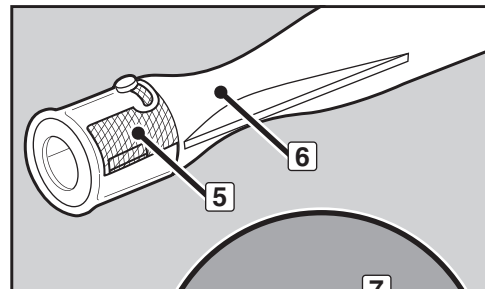
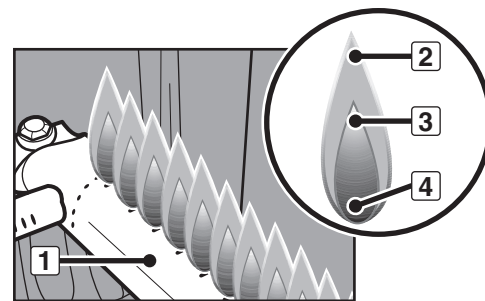
The combustion air openings of the burner tubes (5) are fitted with stainless steel screens to help prevent spiders and other insects from spinning webs and building nests inside the venturi section (6) of the burner tubes. These nests can obstruct the normal gas flow, and can cause gas to flow back out of the combustion air openings (7). This could result in a fire in and around the burner valves, under the control panel, causing serious damage to your grill.

NOTE: If a spider/insect screen becomes damaged or cannot be cleaned, please contact the Customer Service Representative in your area using the contact information on our web site. Log onto www.weber.com®.

BURNER TUBE PORTS

Over time, from repeated use of the grill, the burner tube ports will become dirty. Blocked and dirty ports can restrict full gas flow. Following are ways to determine whether burner tubes are dirty or blocked.

- Gas is smelled in conjunction with burner flames that appear yellow and lazy
- Grill does not reach desired temperature
- Grill heats unevenly
- One or more of the burners do not ignite

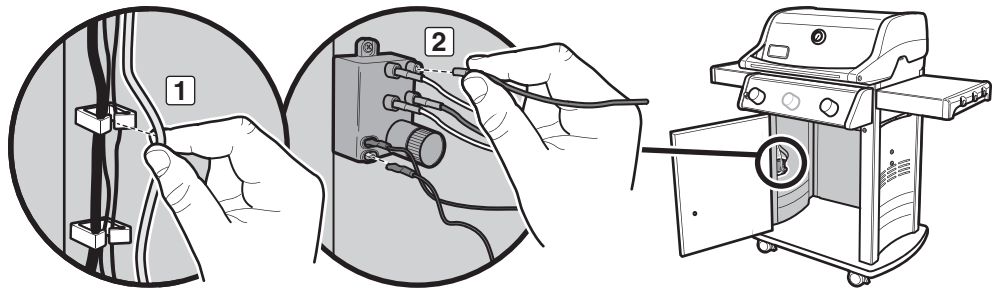


ANNUAL MAINTENANCE

BURNER TUBE CLEANING OR REPLACEMENT

Confirm that Grill Is Off

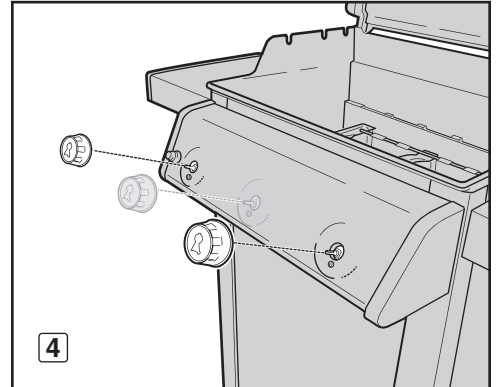
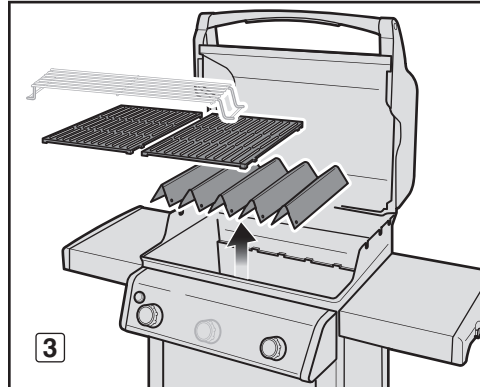
- A) Turn gas supply off at source and disconnect gas fitting.
- B) Check that all burner control knobs are in the off (O) position. Check by pushing control knobs in and turning them clockwise until they stop. If they do not turn, they are already off. If they do turn, continue turning them clockwise until they stop; then they are off. If your grill has a side burner, make sure the side burner control knob is turned off.



Remove Control Panel

You will need: A Phillips screwdriver.

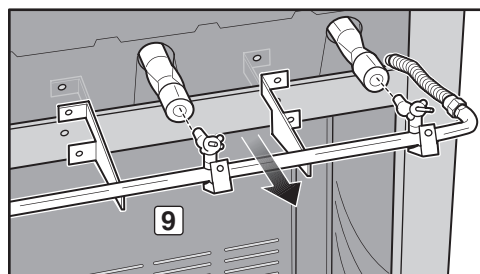
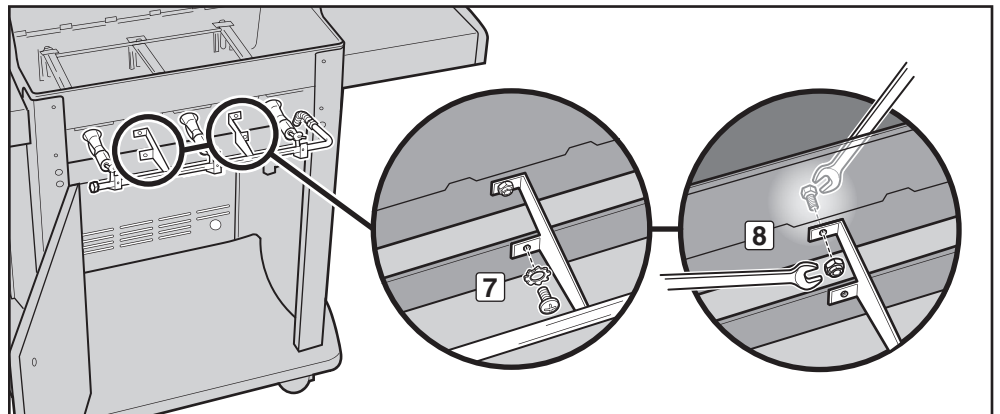
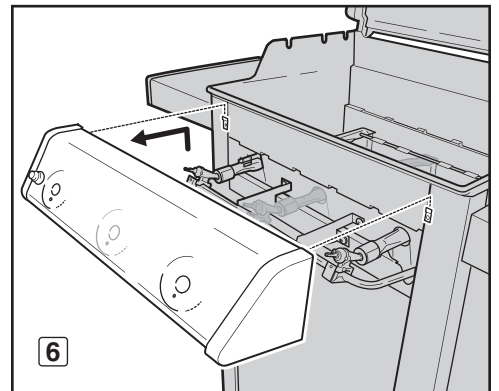
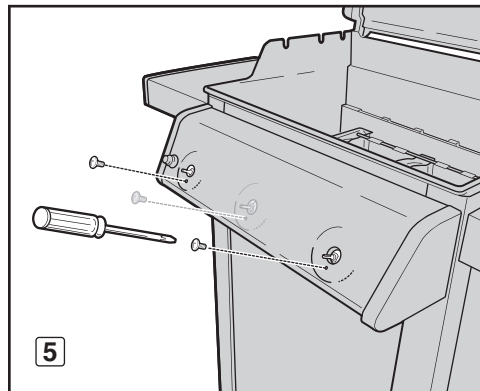
- A) Open cabinet door. Remove igniter wires from wire clips on the inside left panel (1). Disconnect wires from igniter module inside the cabinet (2). *NOTE: Do not disconnect by pulling on wires; pull from terminals at ends of wires.*
- B) Remove cookbox components (3).
- C) Remove control knobs (4).
- D) Remove screws from the front of the control panel with a Phillips screwdriver (5).
- E) Carefully lift control panel up and then pull forward and away from cookbox (6).



Remove Manifold

You will need: A Phillips screwdriver, two 7/16" wrenches.

- A) With the Phillips screwdriver, remove two screws and two washers attaching manifold to front cross brace (7).
- B) Using two 7/16" wrenches, remove two bolts and two nuts attaching manifold to cookbox (8). Pull manifold forward and away from burner tubes (9). Manifold will remain attached to corrugated gas line(s). Be careful not to let manifold scratch frame or door or kink the attached corrugated gas line(s).



ANNUAL MAINTENANCE

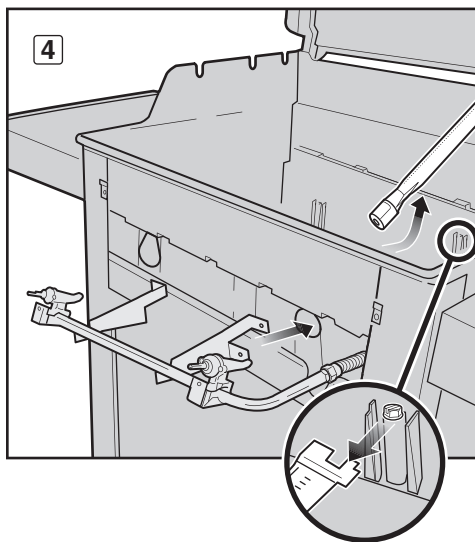
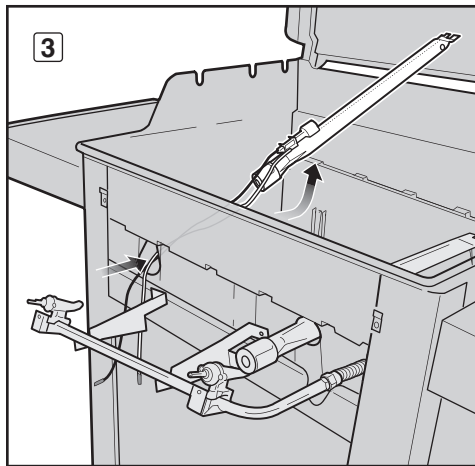
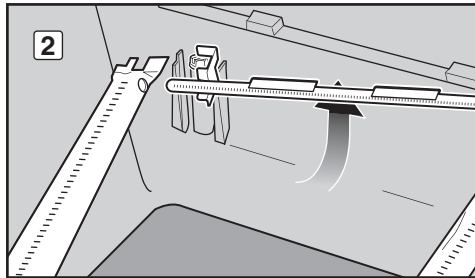
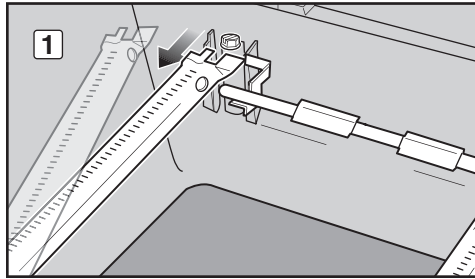
BURNER TUBE CLEANING OR REPLACEMENT (continued)

Remove Burner Tubes

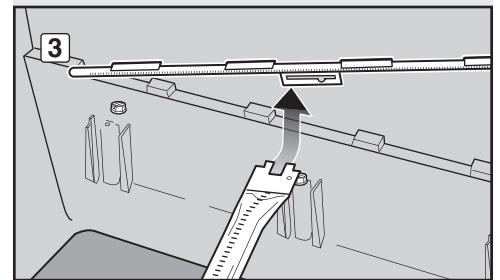
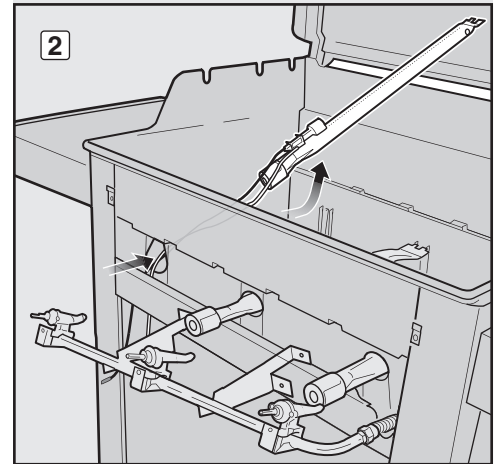
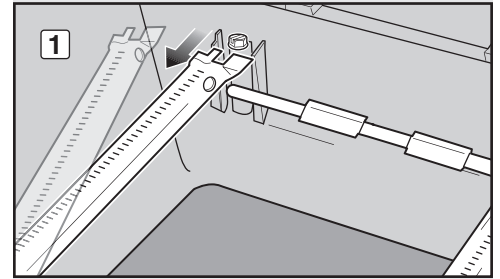
For Spirit® grills with 2 burners (210 and 220 models):

- A) Slide burner tube 1 out from under the guide screw and washer. Move burner tube 1 slightly to the left to detach it from Crossover® tube (1).
- B) Remove Crossover® tube (2).
- C) Lift burner tube 1 up and out of cookbox while guiding the wires through the hole in the cookbox (3).
- D) Slide burner tube 2 out from under the guide screw and washer. Lift burner tube 2 up and out of the cookbox (4).

210/220



310/320



BURNER TUBE CLEANING OR REPLACEMENT (continued)

Clean Burner Tubes

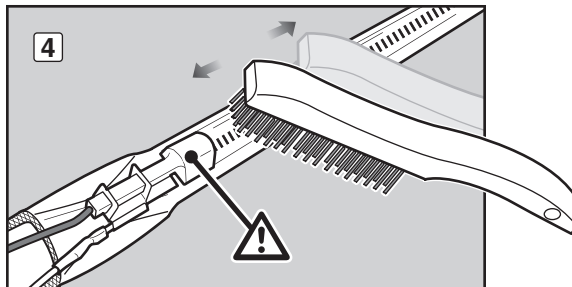
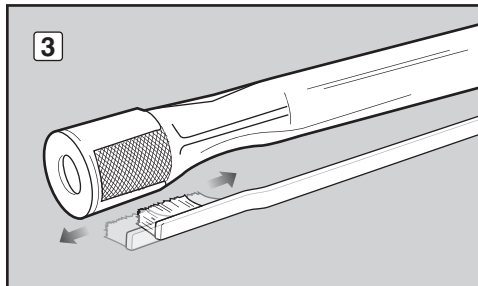
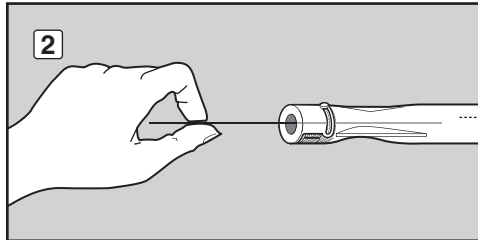
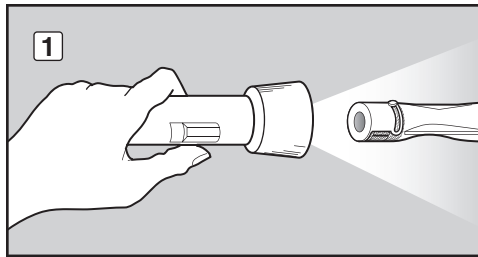
You will need: A flashlight, a wire (a straightened-out coat hanger), a suitable stainless steel bristle brush, and a soft bristle brush (toothbrush).

- A) Look inside each burner tube and Crossover® tube with a flashlight (1).
- B) Clean any debris or blockage from the inside of the tubes with the wire (2).
- C) Check spider/insect screens at the ends of the burner tubes and clean them using the soft bristle brush (3).

⚠ **CAUTION: Do not clean the spider/insect screens with hard or sharp tools. Do not dislodge the spider/insect screens or enlarge the screen openings.**

- D) Use the steel bristle brush to clean the outside of the burner tubes and the Crossover® tube. This is done to make sure all burner ports (openings) running along the length of the tubes are fully open. When cleaning burner tube 1, avoid damaging the igniter electrode by carefully brushing around it (4).

⚠ **CAUTION: Do not enlarge the burner ports when cleaning.**



ANNUAL MAINTENANCE

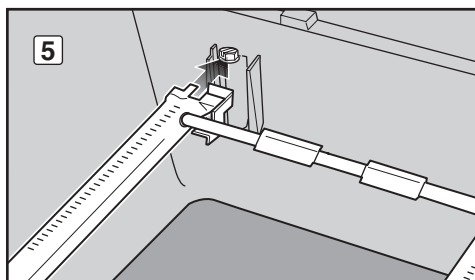
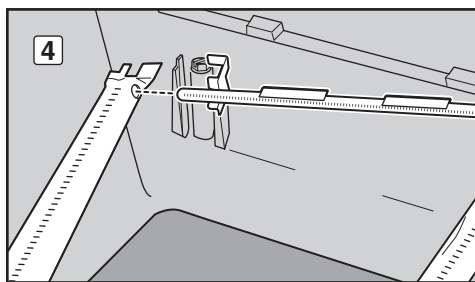
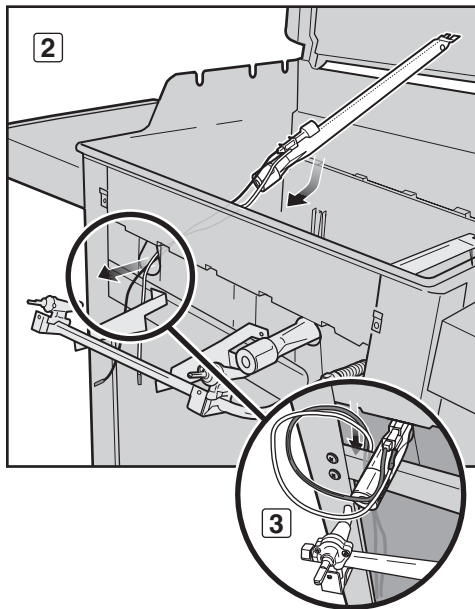
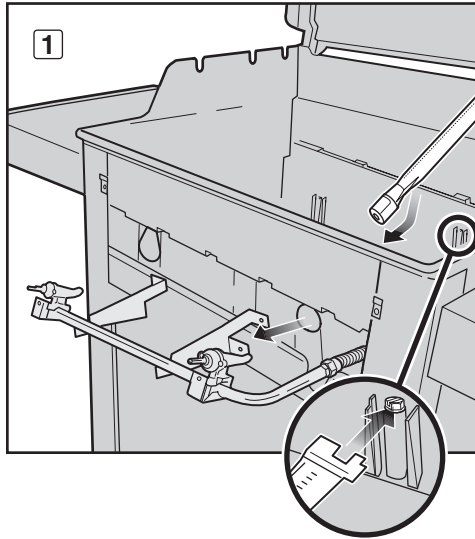
BURNER TUBE CLEANING OR REPLACEMENT (continued)

Reinstall Burner Tubes

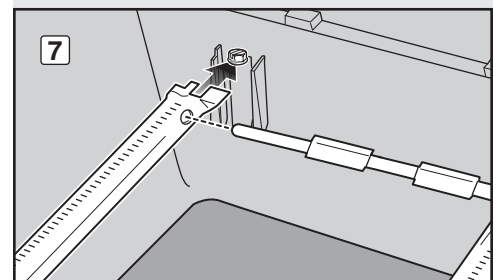
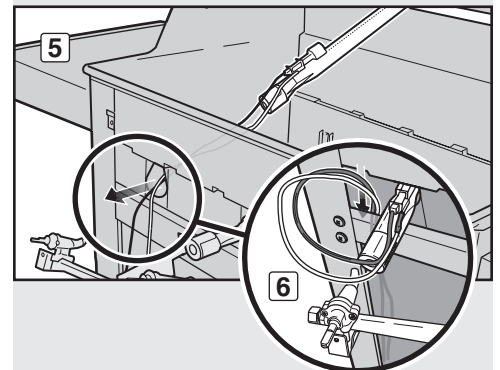
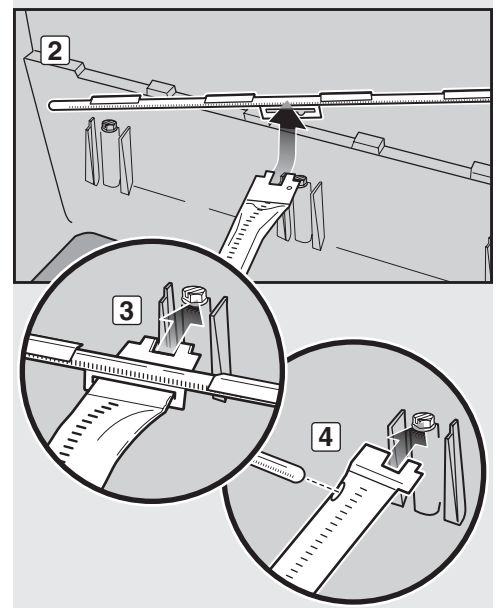
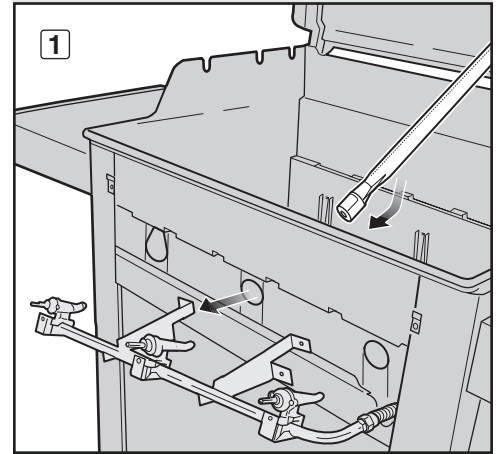
For Spirit® grills with 2 burners (210 and 220 models):

- Put burner tube 2 inside cookbox and pass the front end of tube out through burner tube 2 opening. *Note: Single row of burner ports should be facing up.* Slide burner tube 2 under the guide screw and washer (1).
- Put burner tube 1 inside cookbox and pass igniter wires and the front end of tube out through burner tube 1 opening (2). Guide wires from burner tube 1 between front cross brace and cookbox and down into cabinet (3).
- While holding burner tube 1, insert left side of Crossover® tube into Crossover® burner hole (4). Guide right side of Crossover® tube into Crossover® burner hole in burner tube 2 (not pictured). *Note: The Crossover® tube burner ports should face the front of the cookbox.*
- Slide burner tube 1 under the guide screw and washer (5).

210/220



310/320



For Spirit® grills with 3 burners (310 and 320 models):

- Put burner tube 2 inside cookbox and pass the front end of tube out through burner tube 2 opening (1). *Note: Single row of burner ports should be facing up.*
- Slide Crossover® tube alignment guide over the end of burner tube 2 (2). *Note: The Crossover® tube burner ports should face the front of the cookbox.* With Crossover® tube attached, slide burner tube 2 under the guide screw and washer (3).
- Put burner tube 3 inside cookbox and pass the front end of tube out through burner tube 3 opening (not pictured). Insert right side of Crossover® tube into Crossover® burner hole in burner tube 3. Slide burner tube 3 under the guide screw and washer (4).
- Put burner tube 1 inside cookbox and pass igniter wires and the front end of tube out through burner tube 1 opening (5). Guide wires from burner tube 1 between front cross brace and cookbox and down into cabinet (6).
- While holding burner tube 1, insert left side of Crossover® tube into Crossover® burner hole. Slide burner tube 1 under the guide screw and washer (7).

ANNUAL MAINTENANCE

BURNER TUBE CLEANING OR REPLACEMENT (continued)

Reinstall Manifold

You will need: A Phillips screwdriver, two 7/16" wrenches.

- A) Align valves with burner tubes. Using two 7/16" wrenches, install bolts and nuts that secure manifold to cookbox (1).
- B) With a Phillips screwdriver, install screws and washers that secure manifold to front cross brace (2). If manifold was properly reinstalled, valves will now be fully seated inside burner tubes.

⚠ **CAUTION:** The burner tube openings (3) must be positioned properly over the valve orifices (4).

⚠ **WARNING:** You should check for gas leaks every time you disconnect and reconnect a gas fitting. Refer to CHECKING FOR GAS LEAKS.

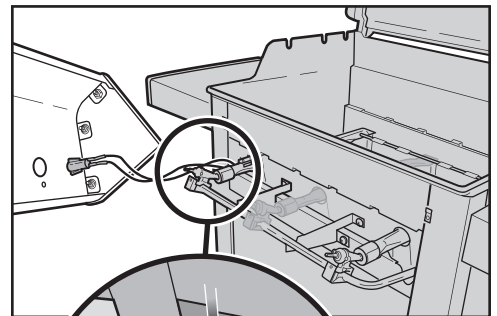
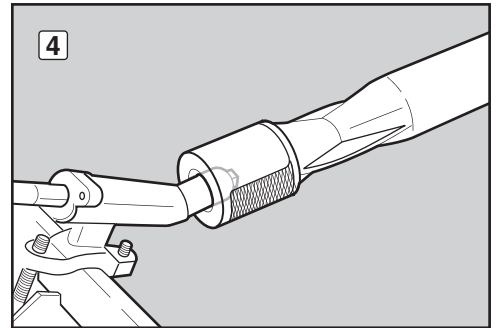
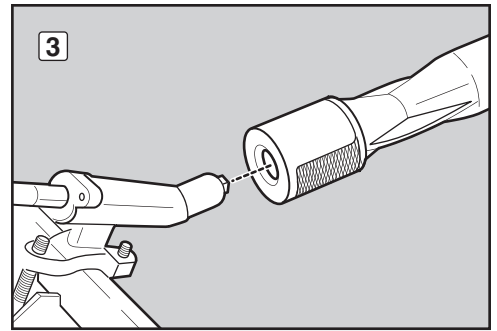
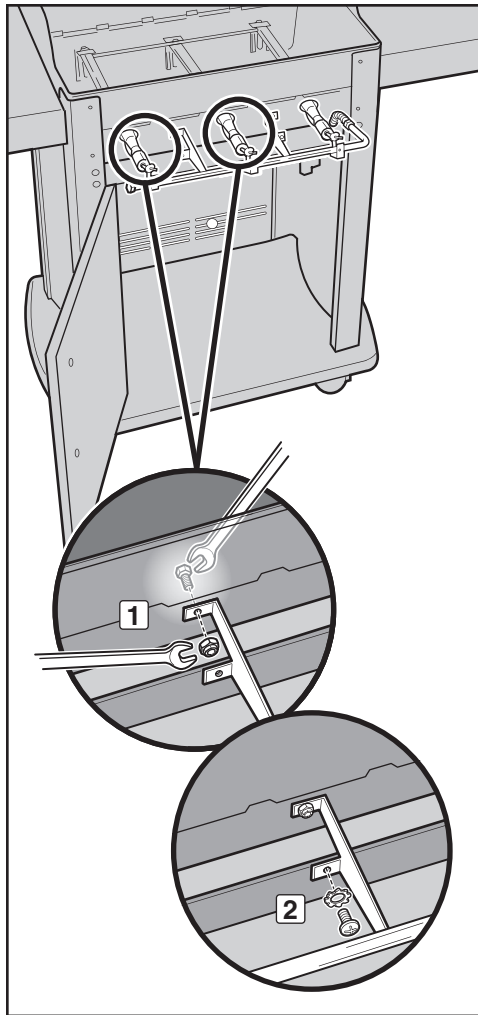
- C) Replace cookbox components (not pictured).

Reinstall Control Panel

You will need: A Phillips screwdriver.

- A) Guide the two wires on back of control panel over front cross brace and down into cabinet (5).
- B) Align valve stems with holes in control panel. Position top edge of control panel on tabs of frame assembly. Push control panel down into position.
- C) Fasten control panel with screws.
- D) Place control knobs onto valve stems.
- E) Connect the wires to the igniter module. Snap wires back into wire clips on inside left panel. Refer to "MAINTAINING THE ELECTRONIC CROSSOVER® IGNITION SYSTEM" for proper positioning.

⚠ **WARNING:** Make sure that all parts are assembled and hardware is fully tightened before operating the grill. Your actions, if you fail to follow this product warning, may cause a fire, an explosion, or structural failure resulting in serious personal injury or death as well as damage to property.



STORAGE AND/OR NONUSE

For grills that have been stored or left unused for a while, it is important to follow these guidelines:

- The gas must be turned off at the LP cylinder when the Weber® gas grill is not in use.
- If storing the Weber® gas grill indoors, first DISCONNECT the gas supply and store the LP cylinder outdoors in a well-ventilated space.
- Do not store a disconnected LP cylinder in a building, garage, or any other enclosed area.
- If you do not disconnect the LP cylinder from the Weber® gas grill, be sure to keep both the grill and the cylinder outdoors in a well-ventilated area.
- The Weber® gas grill should be checked for gas leaks and any obstructions in the burner tubes before it is used. (Refer to "ANNUAL MAINTENANCE.")
- Check that the areas under the control panel and the slide-out grease tray are free from debris that might obstruct the flow of combustion or ventilation air.
- The spider/insect screens should also be checked for any obstructions. (Refer to "ANNUAL MAINTENANCE.")

ROUTINE MAINTENANCE

BEAUTIFUL— INSIDE AND OUT

Weber® grill owners take a lot of pride in their grills, and with good reason: our grills are marvels of engineering and design. Flaunt your pride and joy. Keep your grill clean and beautiful—inside and out—by following these routine maintenance steps.

CLEANING THE OUTSIDE OF THE GRILL

To keep the outside of your grill looking its best, use the following guidelines for safe cleaning.

⚠ WARNING: Turn your Weber® gas grill off and wait for it to cool before cleaning it.

Painted, Enameled and Plastic Surfaces

Use a warm, soapy water solution to clean outside surfaces; then rinse with water.

IMPORTANT: Do not use oven cleaner, abrasive cleansers (kitchen cleansers), cleaners that contain citrus products, or abrasive cleaning pads on grill or cart surfaces.

Stainless Steel Surfaces

Your grill or its cabinet, lid, and control panel may be made of stainless steel. Wash outside surfaces with a soft cloth and a soap and water solution, rinse with water, and wipe dry.

For stubborn particles, a non-metallic brush can be used. Scrub stainless steel surfaces in the direction of the grain.

IMPORTANT: Do not clean stainless steel with anything containing acid, mineral spirits, or xylene. Rinse surfaces well after cleaning. Do not use a wire brush or abrasive cleaners on the stainless steel surfaces of your grill as this will cause scratches. When cleaning stainless steel, be sure to rub/wipe in the direction of the grain.

CLEANING THE INSIDE OF THE GRILL

To keep your grill performing safely and efficiently, it is important to remove any debris and excess grease that may have accumulated on the inside of the grill. Use the following guidelines for safe cleaning.

Inside Lid

Flaking, built-up grease resembles paint flakes. Wipe inside of lid with paper towel to prevent grease build-up. Wash inside lid with warm, soapy water; then rinse with water.

Cookbox

Wash inside of cookbox with warm, soapy water; then rinse with water.

Cookbox Components

You will need: A stainless steel bristle brush, stiff plastic scraper.

- Scrape and brush the cooking grates with the scraper and brush. Remove the cooking grates and set aside.
- Scrape and brush the Flavorizer® bars with the scraper and brush. As needed, wash them with warm, soapy water; then rinse with water. Remove Flavorizer® bars and set aside.

⚠ CAUTION: Do not clean Flavorizer® bars or cooking grates in a self-cleaning oven.

- Brush any debris off of burner tubes and Crossover® tube. Do not enlarge burner ports (openings) running along length of burner and Crossover® tubes (1).
NOTE: When cleaning burner tube 1, avoid damaging the igniter electrode by carefully brushing around it.
- When cleaning is complete, replace the Flavorizer® bars and cooking grates.

Slide-Out Grease Tray

Your grill was built with a grease collection system, which funnels grease away from food and into removable containers.

Check the slide-out grease tray for grease build-up each time you use your grill. Remove excess grease with a plastic scraper (2). Wash the grease tray with a soap and water solution and rinse with water.

⚠ CAUTION: Do not line the slide-out grease tray with aluminum foil.

Catch Pan and Disposable Drip Pan

Grease from the slide-out grease tray funnels into a catch pan. Cleaning the catch pan is just as important as cleaning the slide-out grease tray.

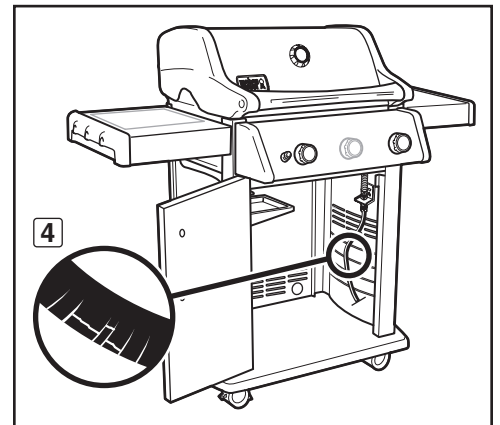
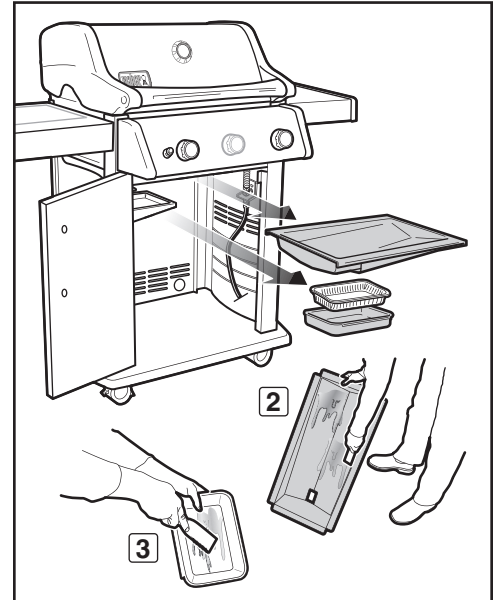
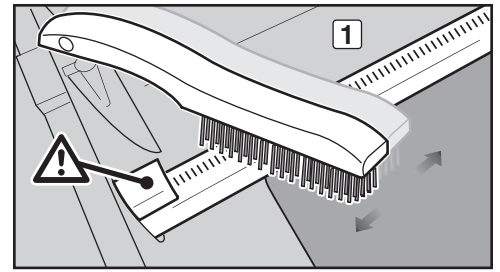
Check the catch pan for grease build-up each time you use your grill. Remove excess grease with a plastic scraper (3). Wash the catch pan with warm, soapy water and rinse with water. To keep the catch pan cleaner longer, you can line the catch pan with a Weber® disposable drip pan or with aluminum foil.

⚠ WARNING: Check the slide-out grease tray and catch pan for grease build-up before each use. Remove excess grease to avoid a grease fire. A grease fire can cause serious bodily injury or damage to property.

HOSE INSPECTION

The hose should be inspected routinely for any signs of cracking (4).

⚠ WARNING: Check hose before each use of grill for nicks, cracking, abrasions or cuts. If the hose is found to be damaged in any way, do not use the grill. Replace using only Weber® authorized replacement hose. Contact the Customer Service Representative in your area using the contact information on our web site. Log onto www.weber.com®.



To obtain replacement disposable drip pans, cooking grates and Flavorizer® bars, contact the Customer Service Representative in your area using the contact information on our website. Log onto www.weber.com®.

ROUTINE MAINTENANCE

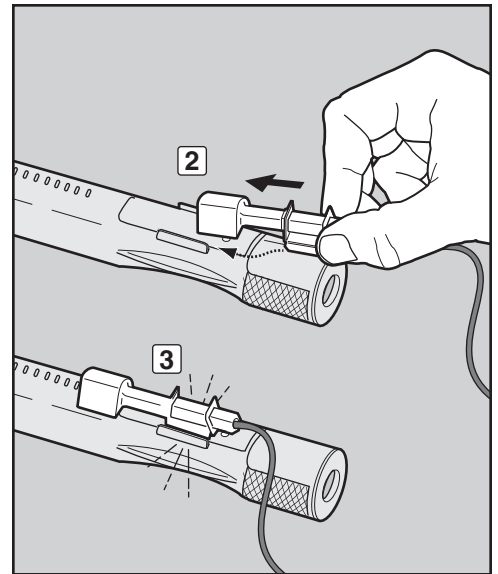
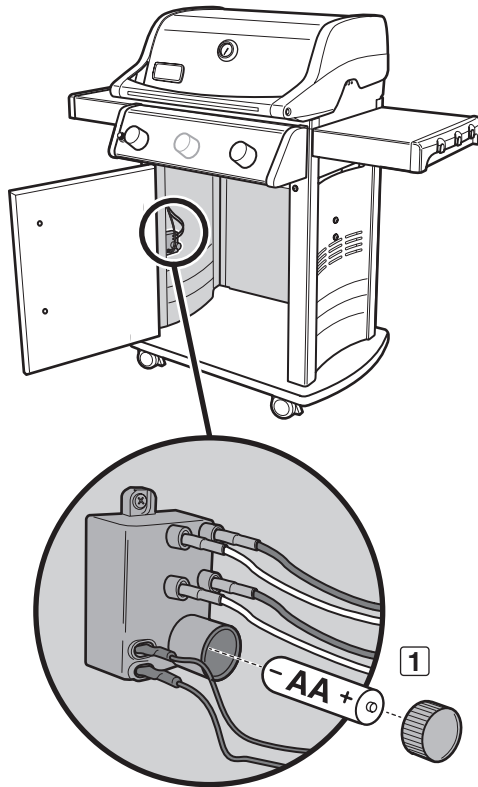
MAINTAINING THE ELECTRONIC CROSSOVER® IGNITION SYSTEM

The igniter module supplies power to the electronic Crossover® ignition system and the side burner with one igniter button. Whether you are performing routine maintenance or a troubleshooting check on the ignition system, read the following to keep your ignition system working properly.

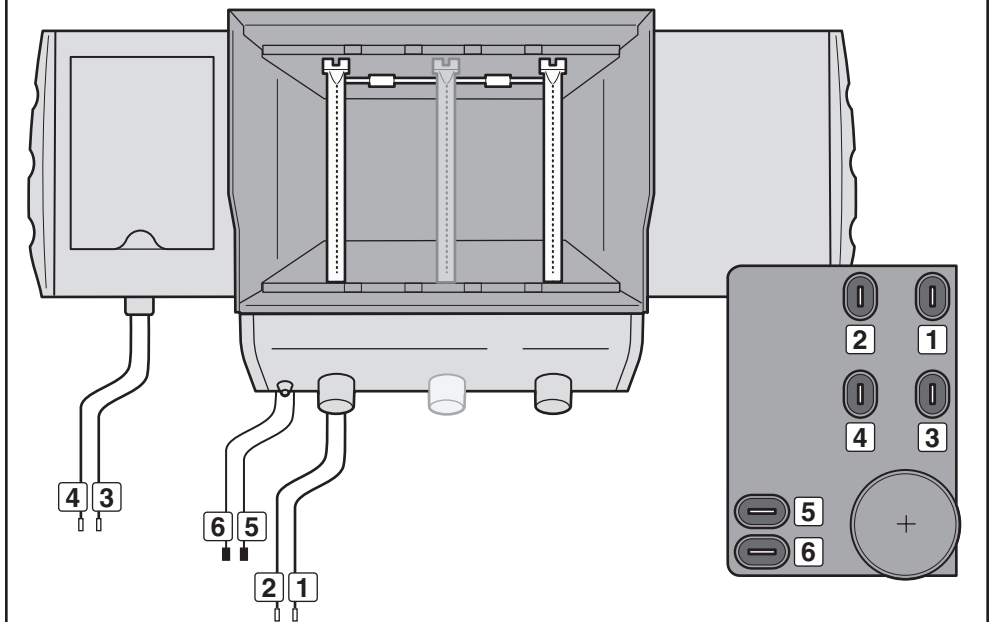
If the electronic Crossover® ignition system fails to ignite, you'll need to pinpoint where the problem is occurring: with the gas flow or with the electronic ignition system. Begin by attempting to match light your burners. Refer to "MAIN BURNER IGNITION - Lighting with a Match." If match lighting is successful, the problem lies in the ignition system.

- Verify that the AA battery (alkaline only) is in good condition and is installed correctly (1). Some batteries have a plastic protective wrap around them. This plastic must be removed before installing battery. Do not confuse this plastic with the battery label.
- Make sure the igniter wires are properly attached to the igniter module. Refer to the "IGNITER MODULE WIRE GUIDE" chart on this page.
- Make sure the ceramic igniter assembly is fully inserted into burner tube igniter channel (2). If properly positioned, you will hear a snap (3).
- Make sure the electronic igniter button is working by listening for clicking and looking for sparks at burner.

If the electronic Crossover® ignition system still fails to ignite, contact the Customer Service Representative in your area using the contact information on our web site. Log onto www.weber.com.



IGNITER MODULE WIRE CHART (E220 / E320 / SP320)



BURNER 1	SIDE BURNER	IGNITER BUTTON
Black Terminal (1)	Blue Terminal (3)	Black Terminal (5)
Yellow Terminal (2)	Green Terminal (4)	Black Terminal (6)

ROUTINE MAINTENANCE

CLEANING SIDE BURNER TUBE

Remove Side Burner Valve

You will need: A Phillips screwdriver.

- A) Remove the two screws that secure the side burner valve plate to the side burner table (1).
- B) Release the side burner valve from burner tube by gently pulling the assembly forward (2). Use care not to kink the corrugated gas line (3).

Clean the Burner Tube

You will need: A flashlight, a wire (a straightened-out coat hanger), a suitable stainless steel bristle brush.

- A) Look inside the burner tube with a flashlight (4).
- B) Clean any debris or blockage from the inside of the tube with the wire (5).

Reinstall Side Burner Valve

You will need: A Phillips screwdriver.

- A) Align side burner valve with side burner tube opening.

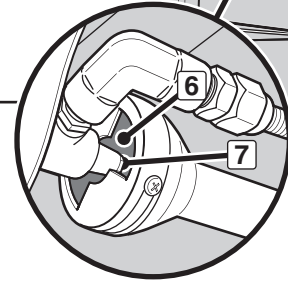
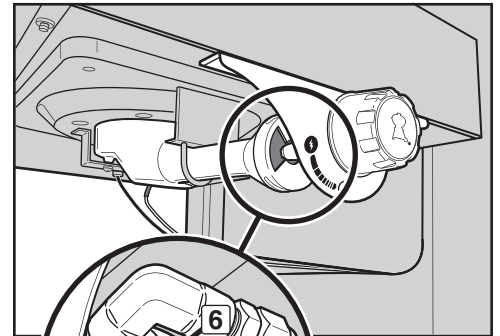
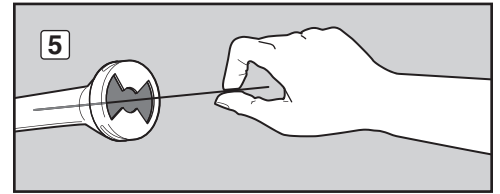
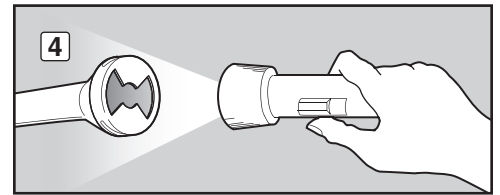
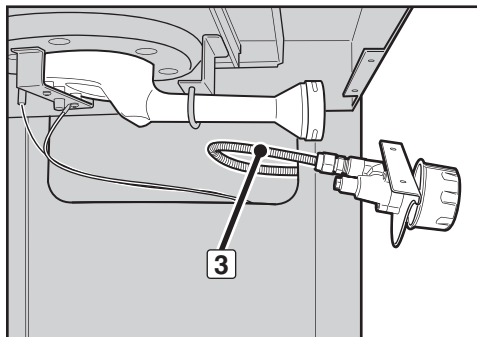
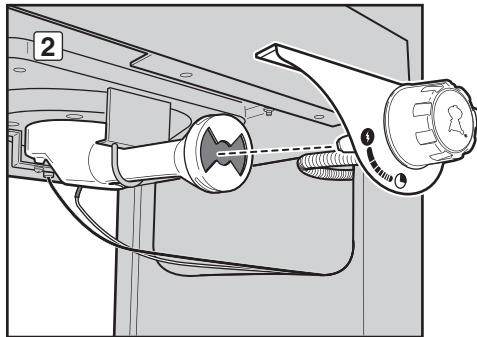
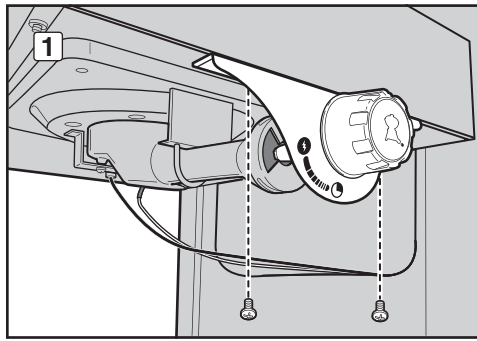
⚠ CAUTION: The side burner tube opening (6) must be positioned properly over the side burner valve orifice (7).

- B) Secure the side burner valve plate to the side burner table using two screws.

SIDE BURNER MAINTENANCE

⚠ WARNING: All gas controls and supply valves should be in the off (O) position.

- Make sure black igniter wire and white ground wire are attached to the igniter module inside the base cabinet. Refer to the "IGNITER MODULE WIRE GUIDE."
- Check that the wires are not kinked.
- Make sure the electronic igniter button is working by listening for clicking and looking for sparks at burner.
- The sparks should be a white/blue color, not yellow.



SIDE BURNER EXPLODED VIEW

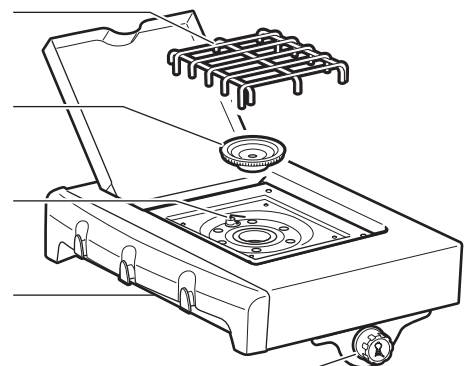
Side Burner Grate

Side Burner Head

Side Burner Tray

Side Burner Table

Side Burner Control Knob



⚠ ATTENTION: This product has been safety tested and is only certified for use in a specific country. Refer to country designation located on outer carton.

These parts may be gas carrying or gas burning components. Please contact Weber-Stephen Products LLC, Customer Service Department for genuine Weber-Stephen Products LLC replacement part(s) information.

⚠ WARNING: Do not attempt to make any repair to gas carrying, gas burning, igniter components or structural components without contacting Weber-Stephen Products LLC, Customer Service Department. Your actions, if you fail to follow this Product Warning, may cause a fire, an explosion, or structural failure resulting in serious personal injury or death as well as damage to property.



WEBER-STEPHEN PRODUCTS LLC

www.weber.com[®]

SPIRIT®



GUÍA DEL PROPIETARIO DE LA BARBACOA DE GAS PROPANO LICUADO

E220 · E320 · SP320



Gracias por la compra de una barbacoa Weber.®
Usted ha hecho una sabia inversión.
Ahora tómese unos minutos y protéjala
registrando su producto en línea en
www.weber.com.®

DEBE LEER ESTA GUÍA DEL PROPIETARIO ANTES DE
PONER A FUNCIONAR LA BARBACOA DE GAS.

⚠ PELIGRO

Si huele a gas:

- 1) Cierre el suministro de gas al artefacto.
- 2) Apague todas las flamas cerrando la valvula general de paso.
- 3) Abra la tapa.
- 4) Llame inmediatamente a la central de fugas o a su proveedor de gas.

Una fuga de gas puede provocar un incendio o explosión que puede resultar en lesiones corporales serias o la muerte, o daños a la propiedad.

⚠ ADVERTENCIA

- 1) No almacene gasolina u otros fluidos flamables en la cercanía de su aparato.
- 2) Ningún cilindro de propano licuado que no esté conectado para su uso deberá almacenarse cerca de éste o cualquier otro artefacto doméstico.

⚠ ADVERTENCIA: Antes de poner a funcionar la asador, siga cuidadosamente todos los procedimientos en este manual para verificar que no existan fugas. Haga esto aun y cuando la asador haya sido ensamblada por el distribuidor.

⚠ ADVERTENCIA: No encienda este artefacto sin primero leer las secciones de ENCENDIDO DEL QUEMADOR de este manual.

ESTE ARTEFACTO A GAS ESTÁ DISEÑADO PARA USARSE SOLAMENTE AL AIRE LIBRE.

AVISO AL INSTALADOR: Estas instrucciones deben permanecer con el propietario, quien las deberá guardar para un futuro uso.



57205

ESNA - SPANISH

⚠ PELIGRO

El hacer caso omiso de los avisos de PELIGROS, ADVERTENCIAS y PRECAUCIONES contenidos en esta Guía del Propietario podría resultar en lesiones corporales serias o la muerte, o en un fuego o explosión que causase daños materiales.

ADVERTENCIAS:

- ⚠ El ensamblaje incorrecto de la barbacoa puede ser peligroso. Siga cuidadosamente las instrucciones de ensamblaje.
- ⚠ No use esta barbacoa a menos que todas sus partes estén instaladas en su debido lugar. La barbacoa debe ensamblarse correctamente de acuerdo a las instrucciones de ensamblaje.
- ⚠ La barbacoa de gas Weber® no debe ser nunca usada por niños. Partes accesibles de la barbacoa podrían estar muy calientes. Mantenga alejados a los niños pequeños mientras se esté usando.
- ⚠ Tenga cuidado al usar la barbacoa de gas Weber®. Estará caliente mientras se cocina en ella o se limpia, y nunca deberá dejarse desatendida ni moverse mientras esté funcionando.
- ⚠ No use carbón o piedra pómez en su barbacoa de gas Weber®.
- ⚠ Mientras enciende la barbacoa o cocina, nunca se incline sobre la barbacoa abierta.
- ⚠ Nunca coloque las manos o los dedos sobre el borde delantero de la caja de cocción cuando la barbacoa esté caliente o en la tapa esté abierta.
- ⚠ No trate de desconectar el regulador de gas ni cualquier otra conexión de gas mientras la barbacoa esté funcionando.
- ⚠ Mientras opere la barbacoa, utilice guantes resistentes al calor.
- ⚠ Use el conjunto del regulador de presión y manguera que se suministra con la barbacoa de gas Weber®.
- ⚠ Si llegasen a apagarse los quemadores mientras esté operando la barbacoa, cierre todas las válvulas de gas. Abra la tapa y espere cinco minutos antes de tratar de volver a encender la barbacoa, siguiendo las instrucciones de encendido.
- ⚠ No utilice la barbacoa a menos de 24 pulgadas (610 mm) de distancia de materiales combustibles. Esto incluye las partes superiores, inferiores, posteriores y laterales de la barbacoa.
- ⚠ No incorpore este modelo de barbacoa como parte integral o deslizante de una construcción. El ignorar esta ADVERTENCIA podría ocasionar un fuego o una explosión que podría causar daños materiales y lesiones corporales graves o la muerte.
- ⚠ No almacene un cilindro de propano licuado desconectado o de repuesto debajo o cerca de esta barbacoa.
- ⚠ Tras haber estado guardada o sin uso por algún tiempo, antes de usar la barbacoa de gas Weber® verifique que no existan fugas de gas o obstrucciones en el quemador. Consulte las instrucciones en esta Guía del Propietario para los procedimientos correctos.
- ⚠ No opere la barbacoa de gas Weber® si hay presente una fuga de gas.
- ⚠ No utilice una llama abierta para comprobar la existencia de fugas de gas.
- ⚠ No ponga una cubierta de barbacoa o cualquier cosa inflamable sobre la barbacoa, o en el área de almacenamiento debajo de la barbacoa, mientras la misma esté en funcionamiento o caliente.
- ⚠ El propano licuado no es gas natural. El uso de gas natural en una unidad de propano licuado o viceversa, propano licuado en una de gas natural, es peligroso y anulará la garantía.
- ⚠ Mantenga a cualquier cordón eléctrico y a la manguera de suministro de gas alejados de toda superficie caliente.
- ⚠ Al limpiar las válvulas o los quemadores, no ensanche los orificios de las válvulas o las aberturas de los quemadores.
- ⚠ La barbacoa de gas Weber® deberá limpiarse a fondo con regularidad.
- ⚠ Un cilindro de propano licuado abollado u oxidado pudiera ser peligroso y deberá ser revisado por su proveedor de propano licuado. No utilice ningún cilindro de propano licuado con una válvula dañada.
- ⚠ Aunque su cilindro de propano licuado pudiera aparentar estar vacío, algo de gas pudiera aún estar presente, por lo que el cilindro deberá transportarse y almacenarse tomando esta posibilidad en consideración.
- ⚠ Si usted ve, huele o escucha el silbido de un escape de gas del cilindro de propano licuado:
 1. Apártese del cilindro de propano licuado.
 2. No intente corregir el problema usted mismo.
 3. Llame al cuerpo de bomberos local.
- ⚠ Si la grasa llegase a agarrar fuego, apague todos los quemadores y mantenga la tapa cerrada hasta que se haya apagado el fuego.

ADVERTENCIAS ADICIONALES PARA EL ESTADO DE CALIFORNIA:

 - ⚠ Los subproductos de la combustión producidos al usar este producto contienen sustancias químicas que son conocidas por el Estado de California como causantes de cáncer, defectos de nacimiento u otros daños reproductivos.
 - ⚠ Advertencia respecto a la Propuesta 65: El manipular el material de latón en este producto lo expone al plomo, una sustancia química conocida por el estado de California como causante de cáncer, defectos de nacimiento u otros daños reproductivos. (Lávese las manos después de manipular este producto).

Weber-Stephen Products LLC (Weber) mediante la presente garantiza al COMPRADOR ORIGINAL de esta barbacoa de gas Weber® que la misma estará libre de defectos tanto en lo que respecta a los materiales como a su fabricación desde su fecha de compra y según lo siguiente:

Piezas coladas de aluminio:	25 años (2 años en la pintura; excluyendo la decoloración)
Cubierta de acero inoxidable:	25 años
Cubierta esmaltada en porcelana:	25 años
Tubos de quemadores de acero inoxidable:	10 años
Parrillas de cocción de acero inoxidable:	5 años sin que la herrumbre/ quemadura atraviese la lámina
Barras Flavorizer® de acero inoxidable:	2 años sin que la herrumbre/ quemadura atraviese la lámina
Parrillas de cocción de hierro colado esmaltadas en porcelana:	5 años sin que la herrumbre/ quemadura atraviese la lámina
Parrillas de cocción esmaltadas en porcelana:	3 años sin que la herrumbre/ quemadura atraviese la lámina
Barras Flavorizer® esmaltadas en porcelana:	2 años sin que la herrumbre/ quemadura atraviese la lámina
Quegador del asador giratorio infrarrojo:	2 años
Todas las demás partes:	2 años

cuando se ensamblan y operan de acuerdo a las instrucciones impresas que las acompañan. Weber podría requerir prueba razonable de la fecha de compra. POR LO TANTO, DEBERÁ GUARDAR SU RECIBO O FACTURA DE VENTA.

Esta garantía limitada está limitada a la reparación o reemplazo de piezas que resultasen defectuosas bajo uso y servicio normal y las cuales al examinarse indiquen, a la plena satisfacción de Weber, que efectivamente son defectuosas. Antes de devolver cualquier parte, contacte al Representante de Atención al Cliente en su área, cuya información de contacto la encontrará en nuestro sitio web. Si Weber confirma el defecto y aprueba el reclamo, ésta elegirá reemplazar tales piezas sin cargo alguno. Si tiene que retornarnos las piezas defectuosas, los gastos de transporte deben ser prepagados. Weber retornará las piezas al comprador con transporte o franqueo prepagado.

Esta Garantía Limitada no cubre ninguna falla o problema de operación a causa de accidentes, abuso, mal uso, alteración, uso en aplicaciones indebidas, vandalismo, instalación inapropiada o mantenimiento o servicio inapropiados, o por no llevar a cabo el mantenimiento normal y rutinario, entre los que se incluyen, pero sin limitación, los daños causados por insectos dentro de los tubos quemadores, según se detalla en esta Guía del Propietario.

Esta Garantía Limitada no cubre el deterioro o daños a causa de condiciones de tiempo inclementes tales como granizo, huracanes, terremotos o tornados ni tampoco la decoloración por exposición a sustancias químicas bien sea por contacto directo o por las mismas contenidas en la atmósfera.

No existe ninguna otra garantía expresa que no sean las acá indicadas y cualesquier garantías implícitas de comerciabilidad y aptitud de uso están limitadas en duración al tiempo de cobertura de esta expresa Garantía Limitada por escrito. Algunas regiones no permiten limitación alguna en el tiempo que una garantía implícita pueda durar, por lo que esta limitación podría no aplicar para usted.

Weber no se hace responsable de ningún daño especial, indirecto o emergente. Algunas regiones no permiten la exclusión o limitación de daños incidentales o emergentes, por lo que esta limitación o exclusión podría no aplicar para usted.

Weber no autoriza a persona o empresa alguna a asumir en su nombre ninguna obligación o responsabilidad en relación con la venta, instalación, uso, retiro, devolución o reemplazo de sus equipos; y ninguna tal representación será vinculante para Weber.

Esta Garantía aplica solo a aquellos productos vendidos al por menor.

WEBER-STEPHEN PRODUCTS LLC
Customer Service Center
90 West Hillcrest Boulevard, Suite 308
Schaumburg, IL 60195
EE.UU.

Para piezas de repuesto, llame al:
1-800-446-1071

Para compras hechas en México:
WEBER-STEPHEN PRODUCTS S.A. de C.V.
Marcella No. 338,
Colonia Americana
Guadalajara, Jalisco
44160 México,
C.P. México

Para partes de repuesto llame a:
(52) (33) 3615-0736

Visite www.weber.com®, seleccione su país de origen y registre su barbacoa hoy mismo.

Las barbacoas que se ilustran en este Manual del Propietario pueden tener ligeras diferencias con respecto al modelo comprado.

SPIRIT® E220 LP DIAGRAMA DE DESPIECE	4
SPIRIT® E320 LP DIAGRAMA DE DESPIECE	6
SPIRIT® SP320 LP DIAGRAMA DE DESPIECE	8
ADVERTENCIAS	34
GARANTÍA	35
ÍNDICE	35
INFORMACIÓN IMPORTANTE ACERCA DEL GAS PROPANO LICUADO	36
¿QUÉ ES EL GAS PROPANO LICUADO?.....	36
CONSEJOS PARA LA MANIPULACIÓN SEGURA DE LOS CILINDROS DE PROPANO LICUADO.....	36
ALMACENAJE Y/O FALTA DE USO.....	36
CÓDIGOS DE INSTALACIÓN DE LOS EE.UU.....	36
CÓDIGOS DE INSTALACIÓN CANADIENSES.....	36
REQUISITOS RESPECTO A LOS CILINDROS DE PROPANO LICUADO EN LOS EE.UU.....	36
REQUISITOS CANADIENSES PARA LOS CILINDROS DE PROPANO LICUADO.....	36
INFORMACIÓN IMPORTANTE ACERCA DE LAS CONEXIONES DE GAS PROPANO LICUADO	37
¿QUÉ ES UN REGULADOR?.....	37
CONEXIONES DEL REGULADOR.....	37
INSTALACIÓN Y RETIRO DEL CILINDRO DE GAS PROPANO LICUADO	38
COMBUSTIBLE PARA LA BARBACOA.....	38
INSTALACIÓN DEL CILINDRO DE PROPANO LICUADO.....	38
NIVEL DE COMBUSTIBLE.....	39
RETIRO DEL CILINDRO DE GAS PROPANO LICUADO PARA RECARGARLO O SUSTITUIRLO.....	39
LLENADO DEL CILINDRO DE GAS PROPANO LICUADO.....	39
PREPARACIÓN PARA USAR LA BARBACOA	40
¿QUÉ ES UNA PRUEBA DE DETECCIÓN DE FUGAS?.....	40
DESMONTAJE PARCIAL DE LA BARBACOA PARA UNA PRUEBA DE DETECCIÓN DE FUGAS.....	40
PRUEBAS DE DETECCIÓN DE FUGAS DE GAS.....	41
CONSEJOS PRÁCTICOS PARA ASAR A LA PARRILLA	42
CONSEJOS Y RECOMENDACIONES.....	42
PRECALENTAMIENTO.....	42
COCCIÓN CUBIERTA.....	42
SISTEMA FLAVORIZER®.....	42
PRINGUES Y GRASA.....	42
CHEQUEOS DE SEGURIDAD ANTES DE USAR LA BARBACOA	43
LA SEGURIDAD PRIMERO.....	43
BANDEJA DESLIZANTE DE GRASA.....	43
PLATO RECOLECTOR Y BANDEJA DE GOTEO DESECHABLE.....	43
INSPECCIÓN DE LA MANGUERA.....	43
ENCENDIDO Y USO DEL QUEMADOR PRINCIPAL	44
MÉTODOS DE ENCENDIDO DEL QUEMADOR.....	44
ENCENDIDO DE LOS QUEMADORES PRINCIPALES.....	44
PARA APAGAR EL QUEMADOR.....	44
ENCENDIDO Y USO DEL QUEMADOR LATERAL	46
EN EL LADO.....	46
ENCENDIDO DEL QUEMADOR LATERAL.....	46
PARA APAGAR EL QUEMADOR LATERAL.....	46
RESOLUCIÓN DE PROBLEMAS	48
SOLUCIÓN DE PROBLEMAS GENERALES.....	48
RESOLUCIÓN DE PROBLEMAS CON EL QUEMADOR LATERAL.....	48
MANTENIMIENTO ANUAL	49
CÓMO MANTENER LA BARBACOA DE GAS WEBER® EN EXCELENTES CONDICIONES.....	49
PATRÓN DE LA LLAMA DEL QUEMADOR.....	49
MALLAS WEBER® CONTRA ARAÑAS Y DEMÁS INSECTOS.....	49
ORIFICIOS DE LOS TUBOS QUEMADORES.....	49
LIMPIEZA O REEMPLAZO DE LOS TUBOS DE LOS QUEMADORES.....	50
ALMACENAJE Y/O FALTA DE USO.....	54
MANTENIMIENTO DE RUTINA	55
HERMOSA—POR DENTRO Y POR FUERA.....	55
LIMPIEZA DEL EXTERIOR DE LA BARBACOA.....	55
LIMPIEZA DEL INTERIOR DE LA BARBACOA.....	55
INSPECCIÓN DE LA MANGUERA.....	55
MANTENIMIENTO DEL SISTEMA DE ENCENDIDO ELECTRÓNICO CROSSOVER®.....	56
LIMPIEZA DEL TUBO DEL QUEMADOR LATERAL.....	57
MANTENIMIENTO DEL QUEMADOR LATERAL.....	57

¿QUÉ ES EL GAS PROPANO LICUADO?

El propano licuado es el producto inflamable derivado del petróleo utilizado como combustible para su barbacoa. Es un gas a temperaturas y presiones moderadas cuando no está contenido. Pero a una presión moderada dentro de un recipiente, tal como un cilindro, el propano es un líquido. Al liberarse la presión del cilindro, el líquido se evapora fácilmente y se convierte en gas propano.

- El gas propano tiene un olor similar al gas natural. Usted deberá estar al tanto de este olor.
- El propano es más pesado que el aire. El gas propano proveniente de una fuga puede acumularse en áreas bajas y resistir su dispersión.

CONSEJOS PARA LA MANIPULACIÓN SEGURA DE LOS CILINDROS DE PROPANO LICUADO

Hay varias pautas y factores de seguridad que usted necesita tener en cuenta al utilizar gas propano licuado. Siga cuidadosamente estas instrucciones antes de usar la barbacoa de gas Weber®.

- Siempre cierre la válvula del cilindro antes de desconectar.
- No use ningún cilindro de propano licuado dañado. Cilindros de propano licuado abollados u oxidados o con la válvula dañada son peligrosos y deberán reemplazarse por uno nuevo inmediatamente.
- Trate a los cilindros de propano licuado “vacíos” con el mismo cuidado que cuando están llenos. Incluso cuando un cilindro de propano licuado está vacío de líquido, todavía puede haber presión del gas dentro del cilindro.
- El cilindro de propano licuado debe instalarse, transportarse y almacenarse en posición parada. Los cilindros de propano licuado no deben dejarse caer o manipularse de manera brusca.
- Nunca guarde o transporte el cilindro de propano licuado donde las temperaturas puedan alcanzar 125°F (52°C) (el cilindro estará demasiado caliente para sostenerlo con la mano). Por ejemplo: no deje un cilindro de propano licuado dentro de un auto en un día caluroso.

- Cada vez que se reconecte al cilindro, realice una prueba de detección de fugas donde el regulador se conecta al cilindro de propano licuado. Por ejemplo: realice la prueba cada vez que se llena el cilindro de propano licuado y se vuelve a instalar.
- Los cilindros de propano licuado debe mantenerse fuera del alcance de los niños.

ALMACENAJE Y/O FALTA DE USO

Para las barbacoas que hayan estado almacenadas o hayan estado sin utilizarse durante un tiempo, es importante seguir estas pautas:

- La válvula de gas en el cilindro de propano licuado debe mantenerse cerrada mientras la barbacoa de gas Weber® esté sin usarse.
- ⚠ **ADVERTENCIA: Asegúrese de que la válvula del cilindro de propano licuado esté cerrada cuando la barbacoa no esté en uso. Círrrela girándola en la dirección horaria.**
- Si va a guardar la barbacoa de gas Weber® en un lugar cerrado, primero desconecte el suministro de gas y almacene el cilindro de propano licuado al aire libre en un espacio bien ventilado.
- ⚠ **PRECAUCIÓN: Coloque una tapa antipolvo a la salida de la válvula del cilindro cuando este no se encuentre en uso. En la salida de la válvula del cilindro, solamente instale el tipo de tapa antipolvo que viene provisto con la válvula del cilindro. Otros tipos de tapas o tapones podrían resultar en fugas de propano.**
- No almacene un cilindro de propano licuado desconectado en una edificación, garaje o cualquier otra área cerrada.
- Si no desconecta el cilindro de propano licuado de la barbacoa de gas Weber®, asegúrese de mantener tanto la barbacoa como el cilindro al aire libre en un área bien ventilada.
- Antes de usarla, se deberá verificar que la barbacoa de gas Weber® no tenga fugas de gas ni obstrucciones en los tubos de los quemadores. (Consulte la sección de “MANTENIMIENTO ANUAL”).
- Asegúrese de que el área debajo del panel de control y la bandeja deslizante de grasa no tengan desechos que pudiesen obstruir el flujo de aire de combustión o de ventilación.
- También deberá revisarse que la malla contra arañas e insectos no esté obstruida. (Consulte la sección de “MANTENIMIENTO ANUAL”).

CÓDIGOS DE INSTALACIÓN DE LOS EE.UU.

La instalación debe acatar los códigos locales o, en la ausencia de estos, bien sea el código nacional de gases combustibles “National Fuel Gas Code, ANSI Z223.1/NFPA 54”; código para las instalaciones de gas natural y propano “Natural Gas and Propane Installation Code”, CSA B149.1; o el código de manejo y almacenaje de propano “Propane Storage and Handling Code, B149.2”; o la Norma de Vehículos Recreativos, ANSI A 119.2/NFPA 1192 y CSA Z240 RV Series, “Recreational Vehicle Code”, según proceda.

CÓDIGOS DE INSTALACIÓN CANADIENSES

Estas instrucciones, aunque de manera general son aceptables, no necesariamente cumplen con los códigos de instalación canadienses, en particular en lo que respecta a tuberías bajo y sobre tierra. En Canadá, la instalación de este artefacto debe cumplir con los códigos locales y/o la Norma CSA-B149.2 (“Propane Storage and Handling Code”).

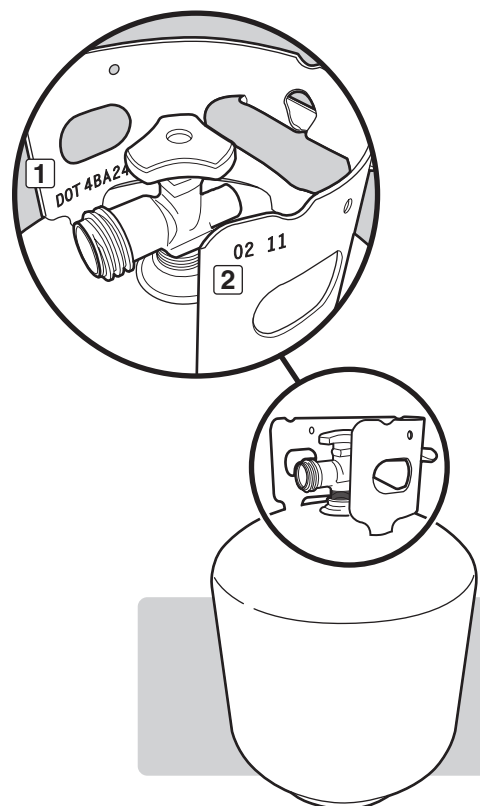
REQUISITOS RESPECTO A LOS CILINDROS DE PROPANO LICUADO EN LOS EE.UU.

- Asegúrese de que los cilindros tengan una certificación del Dept. de Transporte (DOT) (1), y que la fecha de la prueba del mismo (2) no tenga más de cinco años de realizada. Su proveedor de propano licuado puede hacerlo por usted.
- Todos los sistemas de cilindros de suministro de propano licuado deben incluir un collar que proteja la válvula del cilindro.
- Los cilindros de propano licuado deben ser de 20 lbs, con un tamaño aproximado 18¼ pulgadas (46,3 cm) de alto y 12¼ pulgadas (31,1 cm) de diámetro.
- Los cilindros deben construirse y marcarse de acuerdo con las “Especificaciones para cilindros de gas propano licuado” (“Specifications for LP - Gas Cylinders”) del Departamento de Transporte (D.O.T.) de los EE.UU. o la Norma Nacional Canadiense CAN/CSA-B339, “Cilindros, esferas y tubos o transporte de productos peligrosos” (“Cylinders, Spheres and Tubes or Transportation of Dangerous Goods”); y Comisión, según aplique.
- ⚠ **ADVERTENCIA: El cilindro de propano licuado usado con la barbacoa debe contar con un “Dispositivo de prevención de sobrellenado” (OPD, por sus siglas en inglés) y una conexión QCC1 o tipo 1 (CGA810). La conexión del cilindro debe ser compatible con la conexión de la barbacoa.**

REQUISITOS CANADIENSES PARA LOS CILINDROS DE PROPANO LICUADO

- El cilindro de propano licuado debe estar construido y marcado de acuerdo con las especificaciones para cilindros de propano licuado, T.C.

NOTA: Su proveedor de venta al por menor puede ayudarle a ubicar el tanque de reemplazo que necesita para su barbacoa.



¿QUÉ ES UN REGULADOR?

La barbacoa de gas Weber® está equipada con un regulador de presión, que es un dispositivo para controlar y mantener uniforme la presión del gas al este salir del cilindro de propano licuado.

CONEXIONES DEL REGULADOR

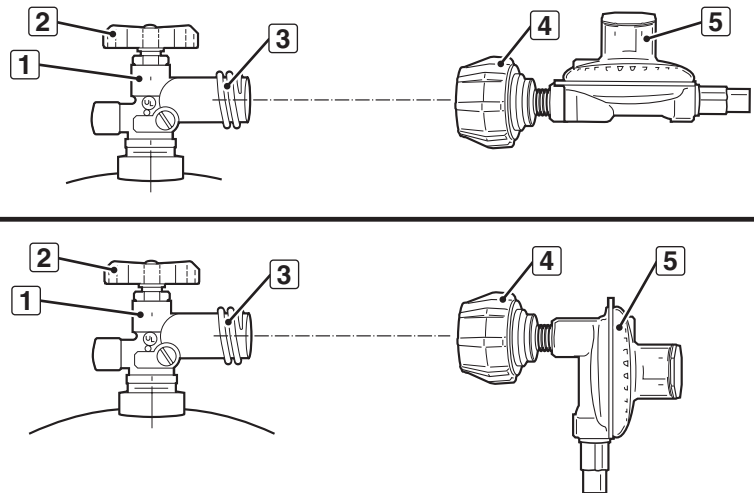
Cada regulador Weber® de gas propano licuado está diseñado para extraer el vapor y está equipado con una conexión al cilindro Tipo 1 homologada por UL tal como se describe en la última edición de ANSI Z21.58. EL CILINDRO DE GAS PROPANO LICUADO QUE USTED CONECTE AL REGULADOR DEBE ESTAR EQUIPADO CON UNA CONEXIÓN TIPO 1 COMPATIBLE EN LA VÁLVULA DE CILINDRO. Esta conexión Tipo 1 le permite hacer una conexión rápida y segura entre su barbacoa de gas Weber® y el cilindro de gas propano licuado.

NOTA: El gas no fluirá del tanque a menos que el acoplamiento Tipo 1 esté completamente conectado.

- Debe utilizarse el regulador de presión suministrado con la barbacoa de gas Weber®. Este regulador está ajustado para una presión de 11 pulgadas de columna de agua.
- Los conjuntos de regulador de presión y manguera de reemplazo deben ser los especificados por Weber-Stephen Products LLC.
- Asegúrese de que el regulador esté montado con el pequeño agujero respiradero viendo hacia abajo de manera que no se acumule agua en él. Este respiradero debe mantenerse libre de suciedad, grasa, insectos, etc.
- Las conexiones de gas suministradas con su barbacoa de gas Weber® han sido diseñadas y probadas para que cumplan en un 100% con los requisitos de CSA y ANSI.

⚠ ADVERTENCIA: Los tanques de propano licuado de reemplazo deben tener conexiones compatibles con la del regulador suministrado con esta aparato de gas Weber®.

ACOPLAMIENTO CONECTOR TIPO 1



1	Válvula tipo 1	4	Tuerca con sensibilidad térmica
2	Manubrio	5	Regulador del propano
3	Rosca externa		

COMBUSTIBLE PARA LA BARBACOA

Antes de usar la barbacoa por primera vez, necesitará conseguir un cilindro de gas propano licuado. Los cilindros nuevos se puede comprar ya llenos; los cilindros vacíos pueden ser rellenos o intercambiados. Puede optar por comprar un tanque de gas propano licuado de repuesto para que no se quede sin combustible en medio de la preparación de una comida.

⚠ ADVERTENCIA: Nunca almacene cilindros de gas propano licuado extra (de repuesto) debajo o cerca de la barbacoa de gas Weber®.

INSTALACIÓN DEL CILINDRO DE PROPANO LICUADO

Las cilindros de gas propano licuado pueden variar según la forma del conjunto del aro superior (el anillo de metal protector alrededor de la válvula del cilindro). Su forma determina cómo el cilindro se colgará en la báscula del cilindro. Un tipo de cilindro se monta con la válvula hacia el frente (1). El otro tipo se monta con la válvula viendo en dirección contraria a la báscula de combustible (2). Para instalar correctamente el cilindro de gas propano licuado, en primer lugar identifique qué tipo de cilindro ha adquirido. Weber recomienda cilindros de gas propano licuado con una capacidad de 47,6 libras de agua. El uso de otros cilindros podría ser aceptable siempre que sean compatibles con los medios de sujeción del aparato (báscula del cilindro).

El cilindro de gas propano licuado va instalado dentro del gabinete de la base, sobre la báscula del cilindro (lado derecho).

Prepare la barbacoa para la instalación del cilindro

- A) Revise de que todas las perillas de control de los quemadores estén en la posición (O) apagada. La barbacoa fue despachada con las perillas de control en la posición (O) apagada, pero usted debe comprobarlo para asegurarse de que estén apagadas. Verifiquelo presionándolas y girando en sentido horario. Si no giran, están cerradas. Si sí giran, siga girándolas en sentido horario hasta que se detengan; entonces estarán apagadas. Si la barbacoa cuenta con un quemador lateral, asegúrese de que la perilla de control del mismo esté en la posición apagada.
- B) Abra la puerta del gabinete de la base.

Instale el cilindro de gas propano licuado

- A) Afloje la tuerca de seguridad de orejas. Gire el seguro del cilindro (3).
- B) Gire el cilindro de gas propano licuado de manera que la abertura de la válvula esté viendo hacia la parte frontal o lateral de la barbacoa de gas Weber®.

⚠ ADVERTENCIA: Asegúrese de que la válvula del cilindro de gas propano licuado esté cerrada. Círrrela girándola en dirección horaria.

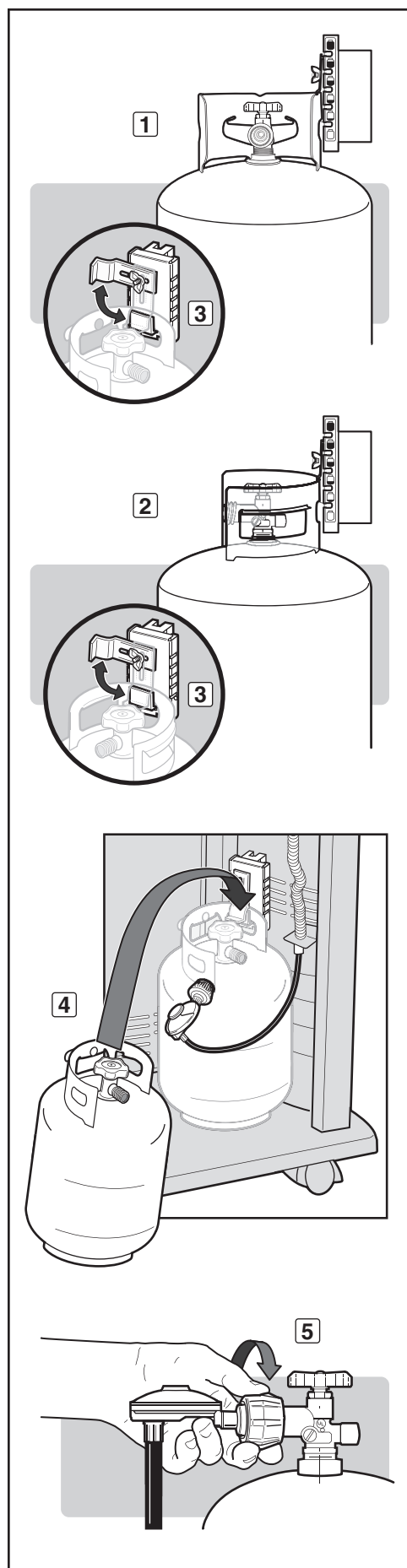
- C) Levante el cilindro a su posición en la báscula del cilindro (4).
- D) Gire el seguro del cilindro hacia abajo. Apriete la tuerca de orejas.

Conecte el regulador/manguera al cilindro

- A) Retire la cubierta de plástico contra polvo de la válvula del cilindro.
- B) Enrosque el acoplamiento del regulador a la válvula del cilindro, en el sentido horario o hacia la derecha (5). **Sólo apriete a mano.**

NOTA: Esta conexión se aprieta hacia la derecha y no permitirá que el gas fluya a menos que la conexión esté apretada.

⚠ ADVERTENCIA: No use una llave para apretar la conexión. Si usa una llave, podría dañar el acoplamiento del regulador y causar una fuga.



INSTALACIÓN Y RETIRO DEL CILINDRO DE GAS PROPANO LICUADO

NIVEL DE COMBUSTIBLE

La báscula del cilindro, un aditamento en algunas de nuestras barbacoas, indica el suministro de gas propano para que pueda volver a llenar el cilindro antes de quedarse sin combustible. Controle el nivel de combustible observando la línea de color naranja indicadora de nivel, situada al lado de la báscula del cilindro. Cuando la línea indicadora está en el fondo, el cilindro está vacío (1). Cuando está en el medio, el cilindro se encuentra mitad lleno (2). Cuando está en la parte superior, el cilindro está lleno (3).

RETIRO DEL CILINDRO DE GAS PROPANO LICUADO PARA RECARGARLO O SUSTITUIRLO

Un cilindro de gas propano licuado lleno durará alrededor de 18-20 horas de tiempo de cocción bajo uso normal. No necesita quedarse sin combustible antes de poder rellenar el cilindro. De hecho, le recomendamos que llene su cilindro de gas propano licuado antes de que éste se vacíe por completo.

Retiro del cilindro de gas propano licuado

- Cierre la válvula del cilindro (gire en sentido horario) (4).
- Desenrosque el acoplamiento del regulador girándolo, solamente a mano, en sentido contrario a las agujas del reloj (5).
- Afloje la tuerca de seguridad de orejas del cilindro y gire el seguro del cilindro a una posición que no estorbe (6).
- Levante el cilindro fuera de la báscula del mismo.

LLENADO DEL CILINDRO DE GAS PROPANO LICUADO

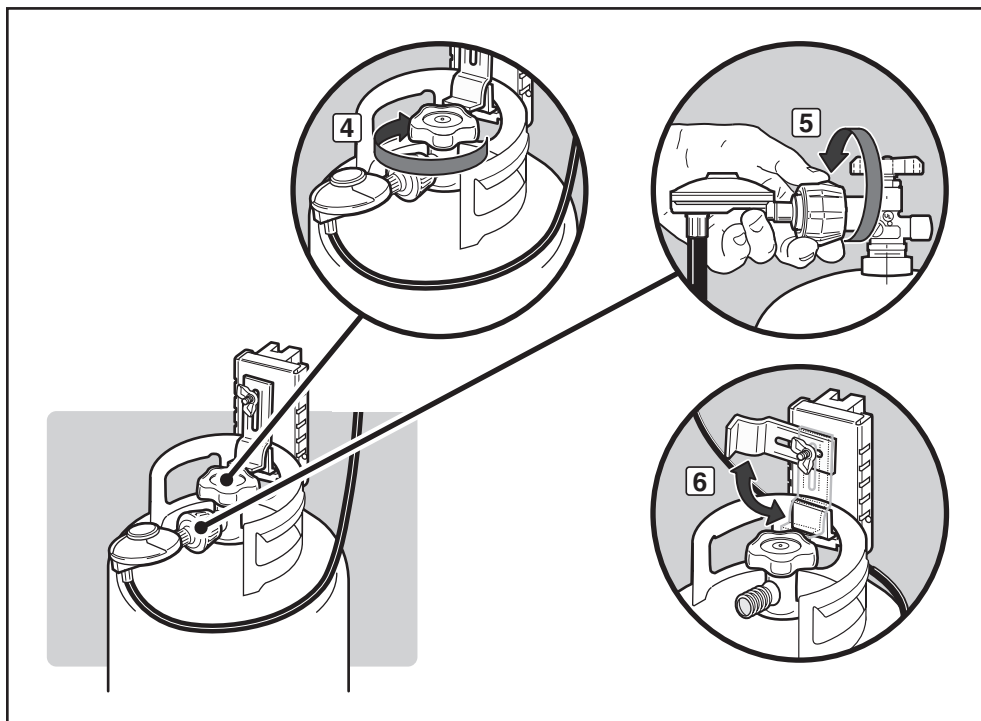
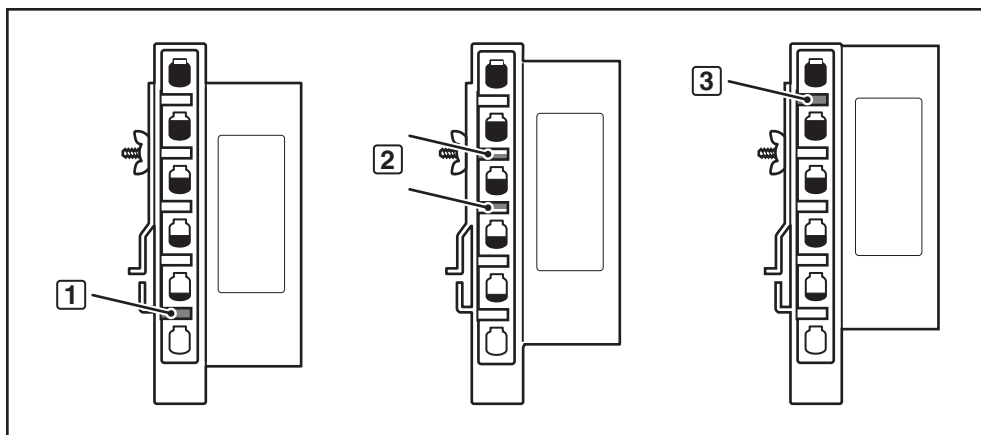
El llenado correcto del cilindro se realiza por peso o por volumen, como se describe en la norma NFPA 58. Asegúrese de que su estación de servicio utiliza uno de estos dos métodos, y pídale a la misma que lea las instrucciones para la purga y llenado del cilindro de gas antes de intentar llenarlo.

⚠ PELIGRO

NUNCA almacene un tanque de gas propano licuado de repuesto debajo o cerca de los aparatos de gas Weber®. **NUNCA** llene el cilindro más allá de un 80% de su capacidad plena. El no acatar estas advertencias al pie de la letra pudiera resultar en un fuego letal o causar lesiones serias.

⚠ **ADVERTENCIA:** Recomendamos llenar su cilindro de gas propano licuado en una distribuidora de gas propano autorizada que tenga un encargado debidamente calificado y que llene el tanque en base a peso. **EL LLENADO INCORRECTO ES PELIGROSO.**

NOTA: Antes de llenarlo por primera vez, asegúrese de que al cilindro se le haya purgado el aire atrapado. Los distribuidores de gas propano licuado están equipados para hacerlo.



PREPARACIÓN PARA USAR LA BARBACOA

¿QUÉ ES UNA PRUEBA DE DETECCIÓN DE FUGAS?

El sistema de combustible de la barbacoa cuenta con muchas conexiones y accesorios. Una prueba de detección de fugas es una manera confiable de asegurarse de que no se esté escapando gas de alguna de las conexiones o accesorios.

Aunque todas las conexiones realizadas en fábrica han sido revisadas a fondo para detectar fugas de gas, es importante realizar una prueba de detección de fugas antes de utilizar la barbacoa por primera vez, así como cada vez que conecte o desconecte una conexión y cada vez que realice el mantenimiento de rutina.

La seguridad debe ser considerada cuando se está decidiendo dónde colocar y operar la barbacoa. Asegúrese de leer las siguientes advertencias antes de instalar o de usar la barbacoa.

ADVERTENCIAS:

- ⚠ Utilice esta barbacoa solamente en un área bien ventilada al aire libre. No la utilice en un garaje, edificio, pasadizo techado o en cualquier otra área cerrada.
- ⚠ La barbacoa de gas Weber® no debe utilizarse debajo de un techo combustible.
- ⚠ La barbacoa de gas Weber® no ha sido diseñada para instalarse en o sobre vehículos o botes recreativos.
- ⚠ No utilice la barbacoa a menos de 24 pulgadas (61 cm) de distancia de materiales combustibles. Esto incluye las partes superiores, inferiores, posteriores y laterales de la barbacoa.
- ⚠ Mantenga el área de cocinar libre de vapores y líquidos inflamables tales como gasolina, alcohol, etc. y materiales combustibles.
- ⚠ Mantenga las aperturas de ventilación de la cabina del cilindro libres de cualquier obstrucción o basura.
- ⚠ La caja de cocción entera se calienta al usarse. No la toque.
- ⚠ No mueva la barbacoa de gas Weber® mientras esté en operación o esté caliente.

DESMONTAJE PARCIAL DE LA BARBACOA PARA UNA PRUEBA DE DETECCIÓN DE FUGAS

Con el fin de llevar a cabo la prueba de detección de fugas, es necesario tener acceso a las válvulas de gas, lo que requerirá algo de desmontaje sencillo de la barbacoa.

Asegúrese de que la barbacoa esté apagada

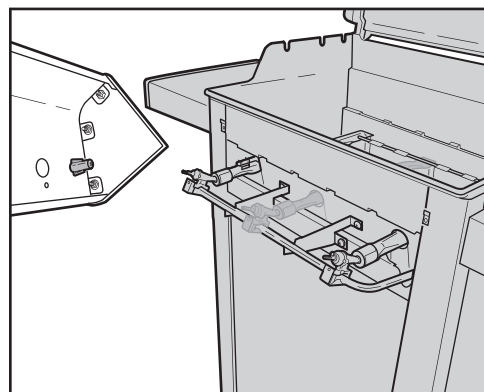
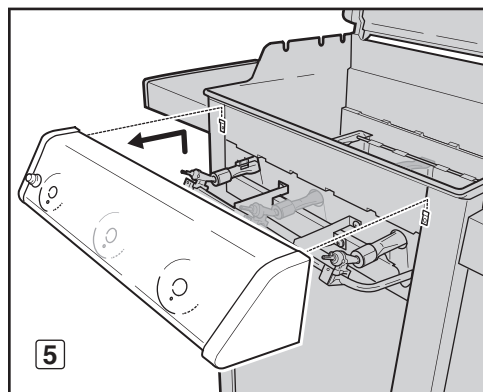
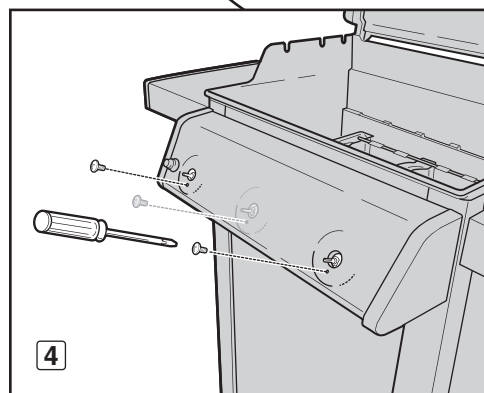
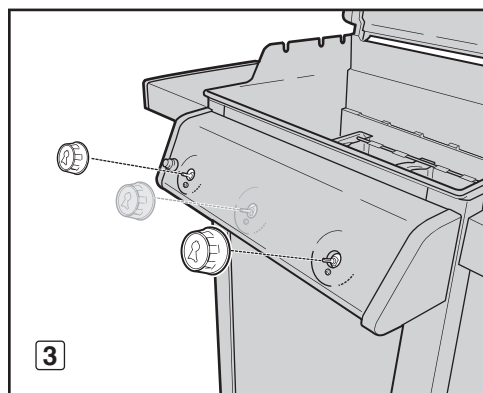
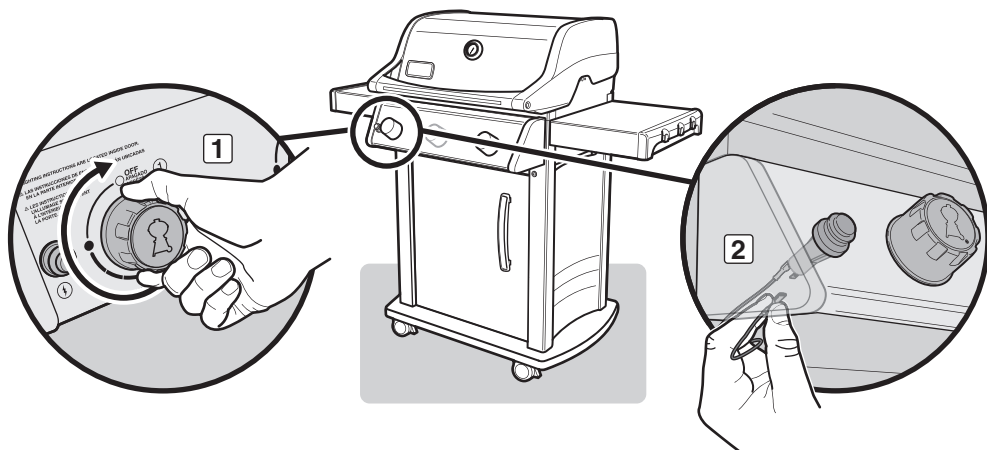
- A) Cierre el suministro de gas en la fuente.
- B) Revise que **TODAS** las perillas de control de los quemadores estén en la posición (O) apagada (1). Las perillas de control se despachan en la posición (O) apagada, pero usted debe comprobarlo para asegurarse de que estén apagadas. Verifíquelo presionando las perillas de control y girándolas en sentido horario. Si no giran, están cerradas. Si sí giran, siga girándolas en sentido horario hasta que se detengan; entonces estarán apagadas. Si la barbacoa cuenta con un quemador lateral, asegúrese de que la perilla de control del mismo esté en la posición apagada.

Retire el panel de control

Usted necesitará: Un destornillador Phillips.

- A) Desconecte los dos cables del botón de encendido situados en la parte inferior del panel de control (2).
NOTA: Hale de los terminales en los extremos de los cables.
- B) Retire las perillas de control (3).
- C) Retire los tornillos de la parte delantera del panel de control con un destornillador Phillips (4).
- D) Levante con cuidado el panel de control y luego hágelo hacia adelante y en dirección contraria al bastidor (5).

La barbacoa ahora está lista para la prueba de detección de fugas. Consulte la sección "PRUEBAS DE DETECCIÓN DE FUGAS DE GAS."



PREPARACIÓN PARA USAR LA BARBACOA

⚠ PELIGRO

No utilice una llama abierta para comprobar si existen fugas de gas. Asegúrese de que no haya chispas o llamas abiertas en el área mientras comprueba si existen fugas. Chispas o llamas causarían un fuego o explosión, las cuales pueden causar graves lesiones corporales o la muerte, y daños a la propiedad.

⚠ **ADVERTENCIA:** Las conexiones de gas de la barbacoa de gas han sido probadas en la fábrica. Le recomendamos inspeccione todas las conexiones de gas antes de operar la barbacoa de gas.

⚠ **ADVERTENCIA:** Lleve a cabo estos chequeos de fugas incluso si la barbacoa ha sido ensamblada por el distribuidor o en la tienda.

⚠ **ADVERTENCIA:** Cada vez que conecte o desconecte una conexión de gas, deberá verificar que no haya fugas de gas.

NOTA: Todas las conexiones hechas en la fábrica han sido revisadas a fondo para detectar fugas de gas y los quemadores han sido probados con la llama encendida. Como medida de precaución, sin embargo, usted debería comprobar todas las conexiones para detectar fugas antes de utilizar la barbacoa de gas Weber®. Durante el manejo y transporte puede haberse aflojado o dañado alguna conexión de gas.

PRUEBAS DE DETECCIÓN DE FUGAS DE GAS

Usted necesitará: Una botella de spray o una brocha o un trapo y una solución de agua y jabón. (Puede preparar su propia solución de jabón y agua mezclando 20% de jabón líquido con 80% de agua; o, puede comprar una solución de detección de fugas en la sección de plomería de cualquier ferretería).

A) Abra el suministro de gas en la fuente (1).

⚠ **ADVERTENCIA:** No encienda los quemadores mientras esté verificando la existencia de fugas.

B) Para comprobar si hay fugas, moje las conexiones con la solución de jabón y agua, utilizando una botella de spray, una brocha o un trapo. Si se forman burbujas, o si una burbuja crece, es que hay una fuga. Aplique la solución de jabón y agua a las siguientes conexiones:

- Conexión de la manguera reguladora a la mampara (2).
- Conexión de la manguera corrugada del múltiple a la mampara (3).
- Conexión de la manguera corrugada del múltiple al múltiple (4).
- Conexión de la manguera del quemador lateral al múltiple (5).
- Conexión de la manguera del quemador lateral a la válvula (6).

⚠ **ADVERTENCIA:** Si hubiese una fuga en una conexión (2, 3, 4, 5 o 6), vuelva a apretar la conexión con una llave y con la solución de agua y jabón vuelva a verificar que no haya fugas de gas. Si una fuga persiste aún después de volver a apretar la conexión, cierre el gas. **NO OPERE LA BARBACOA.** Contacte al Representante de Servicios al Cliente en su área utilizando la información de contacto en nuestro sitio web.

Conéctese a www.weber.com®.

- Conexión del regulador al cilindro (7).
- Conexión de la manguera reguladora al regulador (8).
- Conexiones de las válvulas al múltiple (9).

⚠ **ADVERTENCIA:** Si hubiese una fuga en las conexiones (7, 8 o 9), cierre el gas. **NO OPERE LA BARBACOA.** Contacte al Representante de Servicios al Cliente en su área utilizando la información de contacto en nuestro sitio web.

Conéctese a www.weber.com®.

C) Cuando se haya completado la comprobación de las fugas de gas, cierre el suministro de gas en la fuente y enjuague las conexiones con agua.

NOTA: Dado que algunas soluciones para la detección de fugas de gas, incluyendo el agua y jabón, pueden ser ligeramente corrosivas, todas las conexiones deberán enjuagarse con agua después de realizar las pruebas de detección de fugas.

Vuelva a instalar el panel de control

Usted necesitará: Un destornillador Phillips.

A) Alinee los vástagos de las válvulas con los agujeros en el panel control. Coloque el borde superior del panel de control sobre las pestañas del ensamble del bastidor. Empuje hacia abajo el panel de control para que encaje en su lugar.

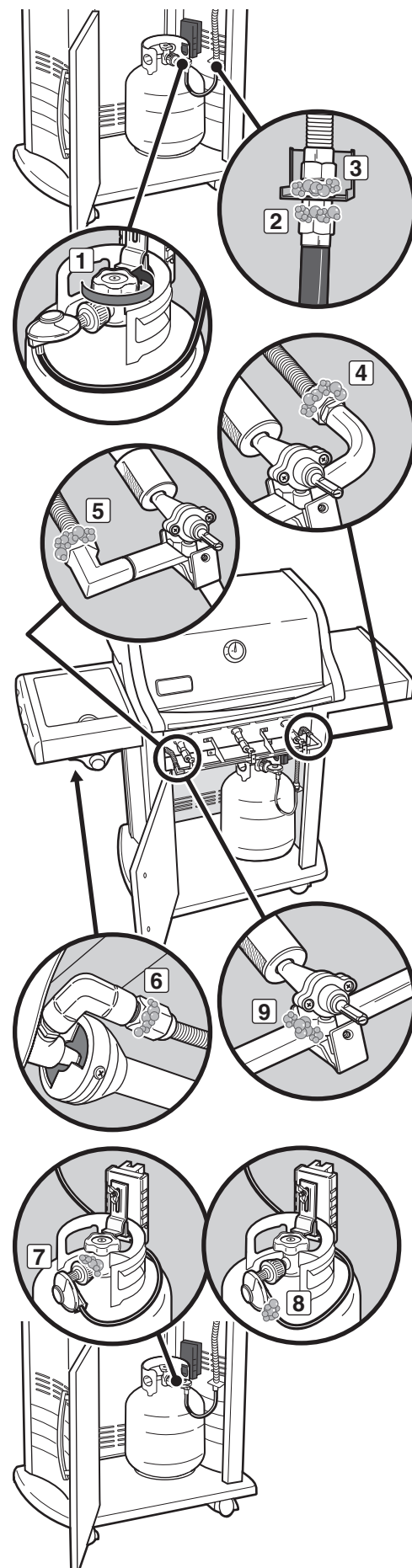
B) Fije el panel de control con los tornillos.

C) Coloque las perillas de control en los vástagos de las válvulas.

D) Conecte los cables al botón de encendido.

⚠ **ADVERTENCIA:** Asegúrese de que todas las piezas estén ensambladas y que todos los herrajes estén completamente apretados antes de operar la barbacoa. Si no llegase a acatar esta advertencia, sus acciones podrían causar un fuego, una explosión o una falla estructural que podrían resultar en lesiones corporales graves o la muerte o daños materiales.

Ahora ya está listo para usar la barbacoa.



CONSEJOS Y RECOMENDACIONES

- Siempre precaliente la barbacoa antes de cocinar en la misma. Ajuste todos los quemadores a fuego alto y cierre la tapa; precaliente durante 10 minutos, o hasta que el termómetro registre 500° - 550°F (260° - 290°C).
- La temperatura de la barbacoa de gas puede alcanzar temperaturas más calientes de lo normal durante los primeros usos.
- Los tiempos de las recetas de asado a la parrilla se basan en una temperatura exterior de 70°F (20°C) y con escaso o ningún viento. Permita un mayor tiempo de cocción en días fríos o de viento, o a mayores altitudes. Permita menos tiempo de cocción en climas extremadamente calurosos.
- Las condiciones de asado a la parrilla pueden requerir el ajuste de los controles de los quemadores para obtener las temperaturas de cocción correctas.
- Para alimentos siempre perfectamente asados, dore la carnes y cocine con la tapa cerrada.
- El aglomerar alimentos sobre una parrilla de cocción trae consigo que más tiempo será necesario para cocinar los alimentos.
- Recorte el exceso de grasa de los bistecs, chuletas y asados, dejando apenas ¼ de pulgada (6,4 mm) de grasa. Menos grasa facilita la limpieza, y es una garantía casi absoluta contra las indeseadas llamaradas.
- Por lo general, las piezas de carne más grandes requerirán mayor tiempo de cocción por libra que las piezas más chicas.

- Algunos alimentos, tales como un guiso o un filete delgado de pescado, requerirán de un recipiente para asarlos. Las ollas desechables de lámina son muy convenientes, pero puede usarse cualquier olla de metal con asas resistentes al calor.
- Los alimentos asados dentro de recipientes, tales como judías en salsa de tomate, tomarán más tiempo si se cocinan en una cacerola profunda que en un molde de hornear poco profundo.
- Los alimentos colocados en la parrilla de cocción directamente encima de los quemadores pudieran requerir que se les dé la vuelta o que se les mueva a un área menos caliente.
- Use tenacillas en vez de un tenedor para dar la vuelta y manipular las carnes a fin de evitar perder los jugos naturales. Use dos espátulas para manipular un pescado grande entero.
- Asegúrese siempre de que la bandeja deslizante de grasa y el plato recolector de grasa estén limpios y libres de desechos.
- No forre la bandeja deslizante de grasa con papel de aluminio. Ello pudiera prevenir que la grasa fluya al plato recolector de grasa.
- Si llegase a presentarse una llamarada indeseada, apague todos los quemadores y mueva los alimentos a otra zona de la parrilla de cocción. Cualquier llama se apagará rápidamente. Una vez que las llamas se apaguen, vuelva a encender la parrilla. **JAMÁS USE AGUA PARA EXTINGUIR LAS LLAMAS EN UNA BARBACOA DE GAS.**
- El usar un temporizador le ayudará a alertarle cuando “bien cocido” esté a punto de convertirse en “sobre cocido”.

PRECALENTAMIENTO

Es importante precalentar la barbacoa antes de asar. Para precalentar: Encienda la barbacoa de gas de acuerdo con las instrucciones en la Guía del Propietario; luego gire todos los quemadores a la posición (†) de encendido/fuego alto, cierre la tapa y precaliente hasta que la temperatura alcance entre 500° y 550° F (260° y 290° C), la temperatura recomendada para asar. Esto tomará unos 10 a 15 minutos según tales condiciones como la temperatura del aire y el viento. Tras precalentar, puede ajustar los quemadores individuales según sus preferencias.

⚠ ADVERTENCIA: Si llegasen a apagarse los quemadores mientras esté operando la barbacoa, cierre todas las válvulas de gas. Abra la tapa y espere cinco minutos antes de tratar de volver a encender la barbacoa, siguiendo las instrucciones de encendido.

COCCIÓN CUBIERTA

Todo asado a la parrilla deberá realizarse con la tapa cerrada para proporcionar un calor uniforme y con una circulación pareja. Con la tapa cerrada, la barbacoa de gas cocinará de manera muy parecida a un horno de convección. El termómetro en la tapa indica la temperatura de cocción dentro del asador. Todo el precalentamiento y asado a la parrilla se realiza con la tapa cerrada. Nada de miraditas - se pierde calor cada vez que usted abre la tapa.

SISTEMA FLAVORIZER®

La tapa cerrada y las barras Flavorizer® le dan a la comida ese sabor a “aire libre.” Cuando los jugos de carne chorrean de la comida a las barras Flavorizer® colocadas a un ángulo especial, éstas crean un humo que le da a la comida una irresistible sazón a barbacoa. Gracias al diseño único de los quemadores, las barras Flavorizer® y los flexibles controles de temperatura, los fogonazos descontrolados han sido virtualmente eliminados, pues USTED controla las llamas.

PRINGUES Y GRASA

Debido al especial diseño de las barras Flavorizer® y de los quemadores, las grasas en exceso bajan por la bandeja deslizante de grasa al plato captador. Hay disponibles bandejas de goteo desechables que encajan dentro del plato captador.

LA SEGURIDAD PRIMERO

Es sensato e inteligente entrar en el hábito de realizar unos cuantos chequeos de seguridad antes de empezar a asar a la parrilla.

Cuando se esté aprestando para empezar a asar a la parrilla, su primer pensamiento debe ser siempre la seguridad. Los siguientes son algunos controles de seguridad que debe realizar cada vez que ase a la parrilla.

BANDEJA DESLIZANTE DE GRASA

La barbacoa fue construida con un sistema de captación de grasa, que conduce la grasa lejos de alimentos y a recipientes desmontables.

Cada vez que vaya a usar la barbacoa, compruebe que no se haya acumulado grasa en la bandeja deslizable de grasa. Elimine el exceso de grasa con una espátula de plástico (1). Lave la bandeja de grasa con una solución de agua y jabón y enjuague con agua.

⚠ PRECAUCIÓN: No forre la bandeja deslizable de grasa con papel de aluminio.

PLATO RECOLECTOR Y BANDEJA DE GOTEO DESECHABLE

La grasa proveniente de la bandeja de grasa deslizable pasa a un plato recolector. La limpieza del plato recolector es tan importante como la limpieza de la bandeja de grasa deslizable.

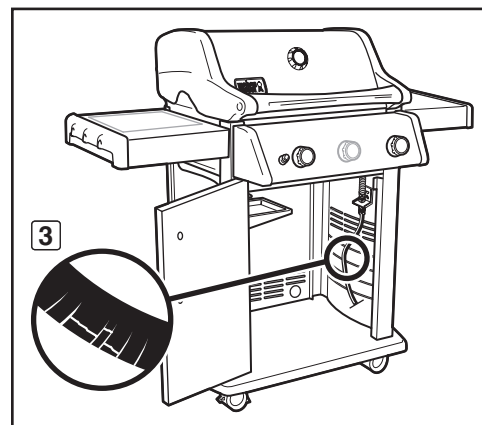
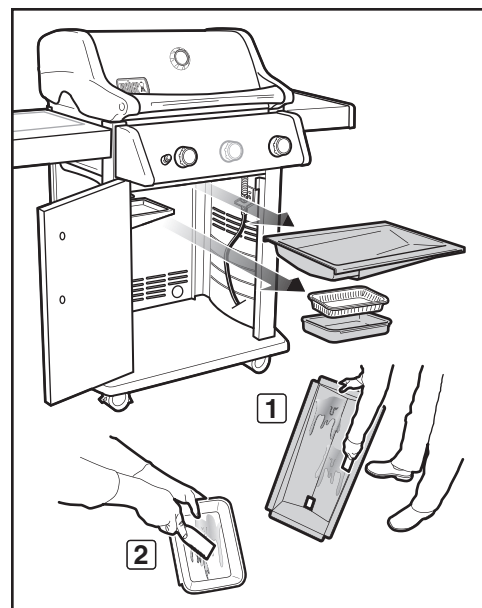
Cada vez que vaya a usar la barbacoa, compruebe que no se haya acumulado grasa en el plato recolector. Elimine el exceso de grasa con una espátula de plástico (2). Lave el plato recolector con agua jabonosa y enjuague con agua limpia. Para mantener el plato recolector limpio durante más tiempo, se puede cubrir el mismo con una bandeja de goteo Weber® desechable o con papel de aluminio.

⚠ ADVERTENCIA: Cada vez que vaya a usar la barbacoa, compruebe que no se haya acumulado grasa ni en la bandeja de grasa deslizable ni el plato recolector. Elimine cualquier exceso de grasa para evitar un incendio. Un incendio de grasa puede causar lesiones corporales graves o daños materiales.

INSPECCIÓN DE LA MANGUERA

Se debe inspeccionar la manguera para detectar cualquier señal de agrietamiento (3).

⚠ ADVERTENCIA: Cada vez que vaya a usar la barbacoa, inspeccione la manguera y asegúrese de que no tenga muescas, grietas, abrasiones o cortes. Si se encontrase que la manguera estuviese dañada de cualquier manera, no utilice la barbacoa. Reemplácela utilizando solamente una manguera de repuesto autorizada por Weber®. Contacte al Representante de Servicios al Cliente en su área utilizando la información de contacto en nuestro sitio web. Conéctese a www.weber.com.



MÉTODOS DE ENCENDIDO DEL QUEMADOR

Hay dos formas de encender el quemador 1. La primera es mediante el uso del sistema de encendido electrónico Crossover® incorporado en su barbacoa. La segunda es con un cerillo.

A continuación se indican los pasos para encender la barbacoa con el sistema de encendido electrónico Crossover®. En la página siguiente se encuentran los pasos para encender la barbacoa con un cerillo.

Instrucciones resumidas para el encendido se encuentran dentro de la puerta del gabinete.

ENCENDIDO DE LOS QUEMADORES PRINCIPALES

Sistema de encendido electrónico Crossover®

El sistema de encendido electrónico Crossover® enciende el quemador 1 mediante una chispa proveniente del electrodo del encendedor ubicado dentro de la cámara de encendido Gas Catcher™. Usted genera la energía de la chispa al pulsar el botón del encendedor. Oirá al encendedor chisporrotear. El (los) quemador(es) 2 (y 3) puede(n) encenderse después de que el quemador 1 se haya encendido.

A) Abra la tapa de la barbacoa (1).

⚠ PELIGRO

El no abrir la tapa mientras se estén encendiendo los quemadores de la barbacoa, o no esperar cinco minutos para que el gas se disipe si la barbacoa no se enciende, puede resultar en una llamarada explosiva, la cual puede causar lesiones corporales graves o la muerte.

B) Asegúrese de que **TODAS** las perillas de control de los quemadores estén apagadas (2). Verifíquelo presionando las perillas de control y girando en sentido horario hasta el tope.

⚠ **ADVERTENCIA:** Las perillas de control de los quemadores deberán estar en la posición (O) apagada antes de abrir la válvula del cilindro de propano licuado. Si no están en la posición (O) apagada cuando abra la válvula del cilindro de propano licuado, se activará el “control de exceso de flujo” y limitará el flujo de gas desde el cilindro de propano licuado. Si esto llegase a ocurrir, cierre la válvula del cilindro de propano y las perillas de control del quemador. Comience de nuevo.

⚠ PELIGRO

Quando se activa el “control de exceso de flujo”, una pequeña cantidad de gas sigue fluyendo a los quemadores. Después de cerrar la válvula del cilindro de propano licuado y las perillas de control de los quemadores, espere por lo menos cinco minutos para que el gas se disipe antes de tratar de encender la barbacoa. El no hacer esto podría resultar en una llamarada explosiva que puede causar lesiones corporales graves o la muerte.

C) Abra el cilindro de gas propano licuado girando **LENTAMENTE** la válvula del cilindro hacia la izquierda (3).

D) Presione la perilla de control del quemador 1 y gírela hacia la izquierda a la posición (⚡) de encendido/fuego alto (4). **IMPORTANTE:** Siempre encienda el quemador 1 primero. Los demás quemadores se encienden a partir del quemador 1.

E) Pulse y sostenga presionado el botón de encendedor (5). Oirá al encendedor chisporrotear.

F) Verifique que el quemador 1 esté encendido viendo a través de las parrillas de cocción. Deberá ver una llama.

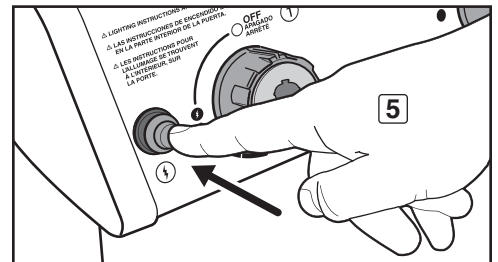
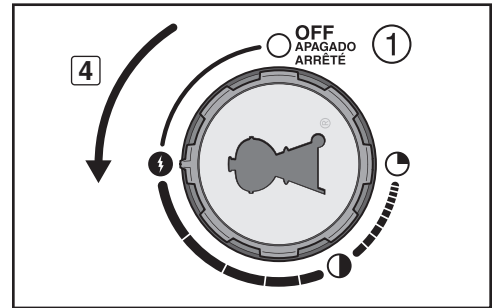
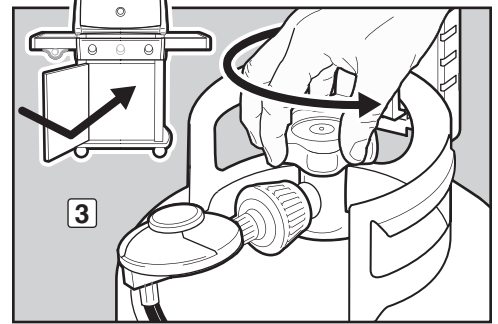
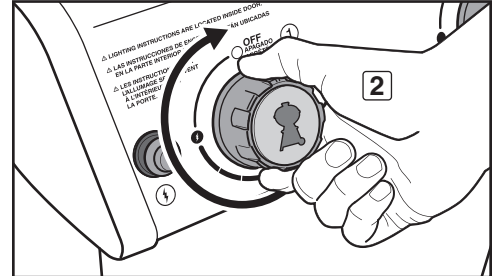
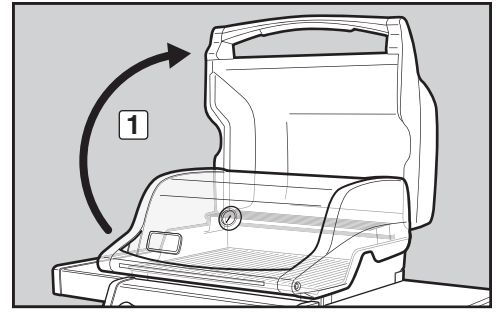
⚠ **ADVERTENCIA:** No se incline sobre la parrilla abierta.

⚠ **ADVERTENCIA:** Si el quemador 1 no llegase a encenderse en el lapso de cinco segundos, pare, cierre la perilla de control del quemador y espere cinco minutos para permitir que el gas se disipe antes de volver a intentarlo o encender la barbacoa con un cerillo.

G) Una vez que el quemador 1 se haya encendido, puede encender el quemador 2 (y el quemador 3).

PARA APAGAR EL QUEMADOR

Presione cada perilla de control del quemador y gire en sentido horario a la posición (O) apagada. Cierre el suministro de gas en la fuente del mismo.



ENCENDIDO Y USO DEL QUEMADOR PRINCIPAL

ENCENDIDO DE LOS QUEMADORES PRINCIPALES

Encendido con un cerillo

A) Abra la tapa de la barbacoa (1).

⚠ PELIGRO

El no abrir la tapa mientras se estén encendiendo los quemadores de la barbacoa, o no esperar cinco minutos para que el gas se disipe si la barbacoa no se enciende, puede resultar en una llamarada explosiva, la cual puede causar lesiones corporales graves o la muerte.

B) Asegúrese de que **TODAS** las perillas de control de los quemadores estén apagadas (2). Verifíquelo presionando las perillas de control y girando en sentido horario hasta el tope.

⚠ ADVERTENCIA: Las perillas de control de los quemadores deberán estar en la posición (○) apagada antes de abrir la válvula del cilindro de propano licuado. Si no están en la posición (○) apagada, cuando abra la válvula del cilindro de propano licuado se activará el “control de exceso de flujo” y limitará el flujo de gas desde el cilindro de propano licuado. Si esto llegase a ocurrir, cierre la válvula del cilindro de propano licuado y las perillas de control del quemador. Comience de nuevo.

⚠ PELIGRO

Cuando se activa el “control de exceso de flujo”, una pequeña cantidad de gas sigue fluyendo a los quemadores. Después de cerrar la válvula del cilindro de propano licuado y las perillas de control de los quemadores, espere por lo menos cinco minutos para que el gas se disipe antes de tratar de encender la barbacoa. El no hacer esto podría resultar en una llamarada explosiva que puede causar lesiones corporales graves o la muerte.

C) Abra el cilindro de gas propano licuado girando **LENTAMENTE** la válvula del cilindro hacia la izquierda (3).

D) Coloque un cerillo en el portacerillos y enciéndalo. Inserte el portacerillos a través de las parrillas de cocción, pasando las barras Flavorizer®, hasta quedar al lado del quemador 1 (4).

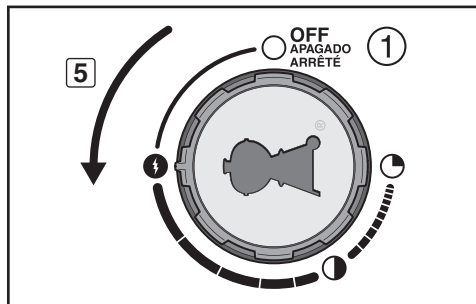
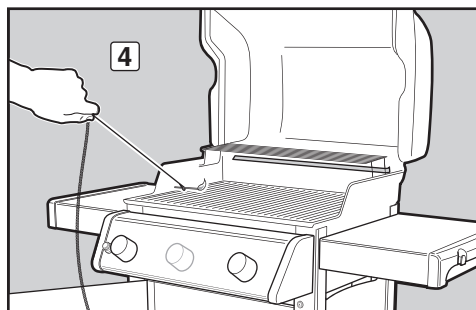
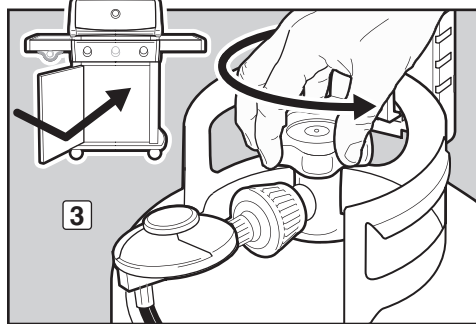
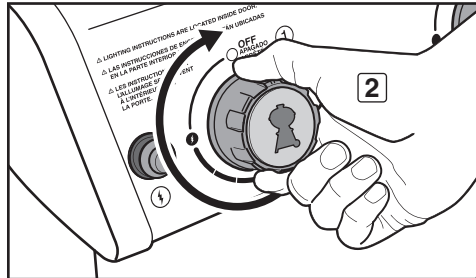
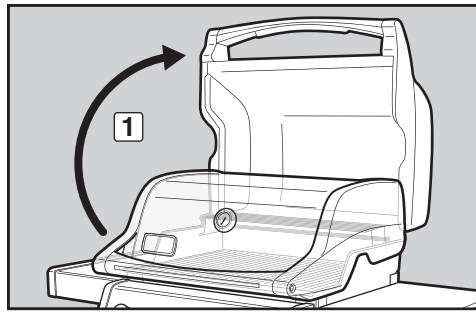
E) Presione la perilla de control del quemador 1 y gírela hacia la izquierda a la posición (⚡) de encendido/ fuego alto (5). **IMPORTANTE:** Siempre encienda el quemador 1 primero. Los demás quemadores se encienden a partir del quemador 1.

F) Verifique que el quemador 1 esté encendido viendo a través de las parrillas de cocción. Deberá ver una llama.

⚠ ADVERTENCIA: No se incline sobre la parrilla abierta.

⚠ ADVERTENCIA: Si el quemador 1 no llegase a encenderse en el lapso de cinco segundos, pare, cierre la perilla de control del quemador y espere cinco minutos para permitir que el gas se disipe antes de volver a intentarlo.

G) Una vez que el quemador 1 se haya encendido, puede encender el quemador 2 (y el quemador 3).



PARA APAGAR EL QUEMADOR

Presione cada perilla de control del quemador y gire en sentido horario a la posición (○) apagada. Cierre el suministro de gas en la fuente del mismo.

Algunas baterías cuentan con un envoltorio protector de plástico alrededor de ellas. Este plástico debe ser retirado antes de intentar encender la barbacoa con el sistema de encendido electrónico Crossover®. No confunda este plástico con la etiqueta de la batería.

EN EL LADO...

Para maximizar el espacio para cocinar y para ayudarle a realizar múltiples tareas, la barbacoa fue diseñada con un quemador lateral. Es fácil encender el quemador lateral. Se utiliza el mismo botón de encendido que para los quemadores principales, pero se enciende de forma independiente.

Instrucciones resumidas para el encendido se encuentran dentro de la puerta del gabinete.

ENCENDIDO DEL QUEMADOR LATERAL

Encendido con el botón de encendido

A diferencia de los quemadores principales, el quemador lateral no se enciende desde el quemador 1. A continuación se muestran los pasos que aplican para encender el quemador lateral utilizando el botón de encendido.

A) Abra la tapa del quemador lateral (1).

⚠ PELIGRO

El no abrir la tapa mientras se esté encendiendo el quemador lateral, o no esperar cinco minutos para que el gas se disipe si el quemador lateral no se enciende, puede resultar en una llamarada explosiva, la cual puede causar lesiones corporales serias o la muerte.

- B) Compruebe que la válvula del quemador lateral está cerrada presionando la perilla de control del quemador lateral y girándola en sentido horario hasta que se detenga (2). Gire todos los quemadores que no se están utilizando a la posición (O) apagada presionando todas las perillas de control y girándolas en sentido horario hasta el tope.
- C) Si aún no está abierto, abra el cilindro de gas propano licuado girando **LENTAMENTE** la válvula del cilindro hacia la izquierda (3).
- D) Presione y gire la perilla de control del quemador a la izquierda a la posición (⚡) de encendido/fuego alto (4).
- E) Pulse y sostenga presionado el botón de encendedor (5). Oirá al encendedor chisporrotear. Deberá ver una llama.

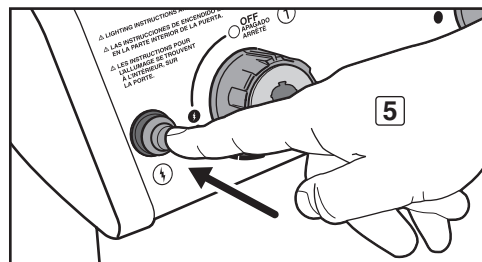
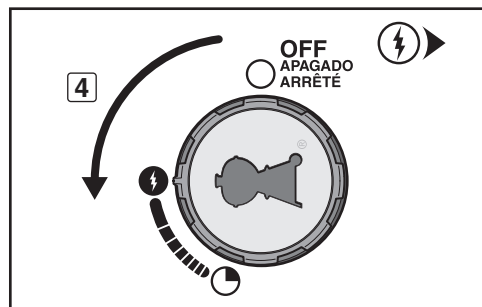
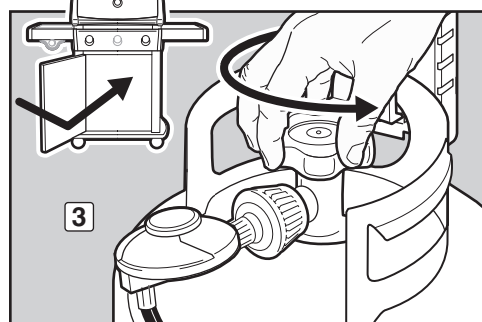
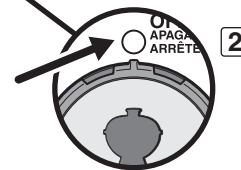
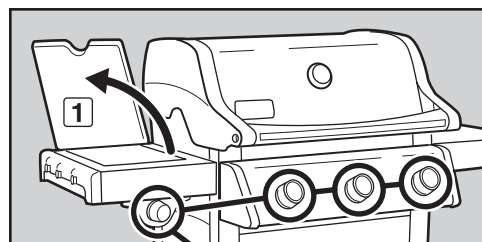
⚠ **PRECAUCIÓN:** En días soleados, la llama del quemador lateral puede ser difícil de ver.

⚠ **ADVERTENCIA:** Si el quemador lateral no se enciende en cinco segundos:

- a) Apague el quemador lateral y las perillas de control de los quemadores principales y el suministro de gas en la fuente.
- b) Espere cinco minutos para permitir que el gas se disipe antes de intentarlo de nuevo, o pruebe encenderlo con un cerillo (consulte la sección "Encendido con un cerillo").

PARA APAGAR EL QUEMADOR LATERAL

Presione cada perilla de control del quemador y gire en sentido horario a la posición (O) apagada. Asegúrese de que el quemador esté apagado y frío antes de cerrar la tapa del quemador lateral.



ENCENDIDO Y USO DEL QUEMADOR LATERAL

ENCENDIDO DEL QUEMADOR LATERAL

Encendido con un cerillo

A) Abra la tapa del quemador lateral (1).

⚠ PELIGRO

El no abrir la tapa mientras se esté encendiendo el quemador lateral, o no esperar cinco minutos para que el gas se disipe si el quemador lateral no se enciende, puede resultar en una llamarada explosiva, la cual puede causar lesiones corporales serias o la muerte.

B) Compruebe que la válvula del quemador lateral está cerrada presionando la perilla de control del quemador lateral y girándola en sentido horario hasta que se detenga (2). Gire todos los quemadores que no se están utilizando a la posición (○) apagada presionando todas las perillas de control y girándolas en sentido horario hasta el tope.

C) Si aún no está abierto, abra el cilindro de gas propano licuado girando **LENTAMENTE** la válvula del cilindro hacia la izquierda (3).

D) Coloque un cerillo en el portacerillos y enciéndalo. Coloque el portacerillos con un cerillo encendido cerca del quemador lateral (4).

E) Presione y gire la perilla de control del quemador a la izquierda a la posición (⚡) de encendido/fuego alto (5). Deberá ver una llama.

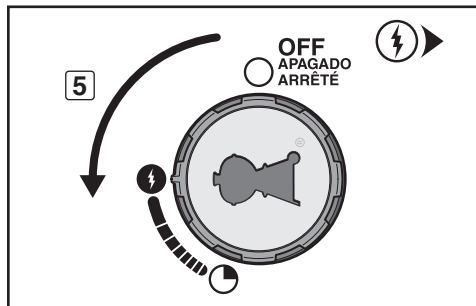
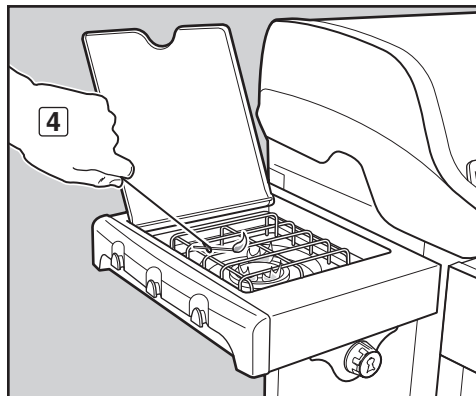
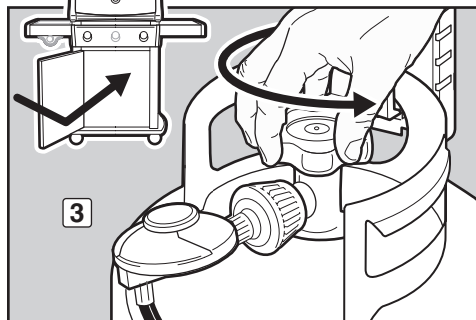
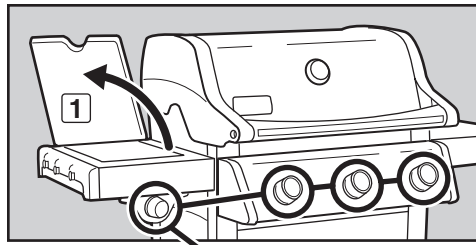
⚠ PRECAUCIÓN: En días soleados, la llama del quemador lateral puede ser difícil de ver.

⚠ ADVERTENCIA: Si el quemador lateral no se enciende en cinco segundos:

- a) Apague el quemador lateral y las perillas de control de los quemadores principales y el suministro de gas en la fuente.
- b) Espere cinco minutos para permitir que el gas se disipe antes de intentarlo de nuevo.

PARA APAGAR EL QUEMADOR LATERAL

Presione cada perilla de control del quemador y gire en sentido horario a la posición (○) apagada. Asegúrese de que el quemador esté apagado y frío antes de cerrar la tapa del quemador lateral.



RESOLUCIÓN DE PROBLEMAS

SOLUCIÓN DE PROBLEMAS GENERALES

PROBLEMAS	SOLUCIONES
El quemador no se enciende al pulsar el botón de encendido.	<p>Asegúrese de que el gas fluya a los quemadores intentando encenderlos con un cerillo. Consulte la sección "ENCENDIDO DEL QUEMADOR PRINCIPAL - Encender con un cerillo." Si el encendido con un cerillo es exitoso, el problema está en el sistema de encendido. Consulte la sección "MANTENIMIENTO DEL SISTEMA ELECTRÓNICO DE ENCENDIDO CROSSOVER®"</p> <p>Asegúrese de que los cables estén debidamente insertados dentro de los terminales en el módulo de encendido. Verifique que los cables están conectados a los terminales en el botón de encendido debajo del panel de control. Consulte la gráfica del "GUÍA DE CABLEADO DEL MÓDULO DEL ENCENDEDOR."</p> <p>Si se instala una batería nueva, confirmar que se ha retirado la envoltura de plástico de la batería. Verifique que la batería esté en buen estado e instalada correctamente. Consulte la sección "MANTENIMIENTO DEL SISTEMA ELECTRÓNICO DE ENCENDIDO CROSSOVER®"</p>
Los quemadores no se encienden.	Puede haberse activado el dispositivo de seguridad de caudal excesivo, el cual es parte de la conexión de la barbacoa al cilindro. Para restablecer el dispositivo de seguridad de caudal excesivo consulte la sección "ENCENDIDO DEL QUEMADOR PRINCIPAL."
Los quemadores presentan una llama pequeña y parpadeante cuando las perillas de control están en la posición (†) de fuego alto.	<p>△ PELIGRO: Cuando se activa el "control de exceso de caudal de gas", una pequeña cantidad de gas sigue fluyendo a los quemadores. Después de cerrar la válvula del cilindro de gas propano licuado y las perillas de control de los quemadores, espere por lo menos cinco minutos para que el gas se disipe antes de tratar de encender la barbacoa. El no hacer esto podría resultar en una llamarada explosiva que puede causar lesiones corporales graves o la muerte.</p>
La temperatura de la barbacoa sólo alcanza 250 ° a 300 ° F en la posición (†) de fuego alto.	El nivel de gas propano licuado en el tanque podría estar bajo o el mismo está vacío. Rellene el tanque de gas propano licuado.
El quemador no enciende, o la llama está baja en la posición (†) de fuego alto.	La manguera de combustible puede estar doblada o torcida. Enderece la manguera de combustible.
El quemador produce llamas con un patrón errático.	Limpie los orificios de los quemadores que corren a todo lo largo del tubo del quemador. Consulte la sección "MANTENIMIENTO ANUAL."
La llama se mantiene baja cuando el quemador está en la posición (†) de fuego alto.	
Las llamas no corren a lo largo de todo el tubo del quemador.	
Los quemadores queman con una llama amarilla o anaranjada, conjuntamente con un olor a gas.	Revise que no haya obstrucciones en la malla contra arañas e insectos. (Taponamiento de orificios.) Limpie las mallas contra arañas e insectos. Consulte la sección "MANTENIMIENTO ANUAL."
Se producen llamaradas.	La barbacoa debe precalentarse con todos los quemadores a fuego alto durante 10 a 15 minutos.
△ PRECAUCIÓN: No forre la bandeja de grasa deslizante con papel de aluminio.	<p>Limpie a fondo las parrillas de cocción y las barras Flavorizer® para eliminar la grasa. Consulte la sección "LIMPIEZA DEL INTERIOR DE LA BARBACOA."</p> <p>La bandeja deslizante de grasa puede estar sucia y no permite que la grasa fluya al plato recolector. Limpie la bandeja deslizante de grasa.</p>
La parte interna de la tapa pareciera estar "pelándose." (Se parece al desprendimiento de pintura).	La parte interna de la tapa es de esmalte de porcelana o de acero inoxidable. No está pintada. No puede "pelarse." Lo que está viendo es grasa asada que se ha convertido en carbón y se está descascarando. ESTO NO ES UN DEFECTO. Limpie a fondo. Consulte la sección "LIMPIEZA DEL INTERIOR DE LA BARBACOA."

Si los problemas no pueden corregirse usando cualquiera de estos métodos, por favor contacte al Representante de Atención al Cliente en su área usando la información de contacto en nuestro sitio web. Conéctese a www.weber.com.

RESOLUCIÓN DE PROBLEMAS CON EL QUEMADOR LATERAL

PROBLEMAS	SOLUCIONES
El quemador lateral no se enciende al pulsar el botón de encendido.	<p>Asegúrese de que el gas fluya al quemador intentando encenderlo con un cerillo. Consulte la sección "ENCENDIDO DEL QUEMADOR LATERAL - Encendido con un cerillo." Si el encendido con un cerillo es exitoso, el problema está en el sistema de encendido. Consulte la sección "MANTENIMIENTO DEL SISTEMA ELECTRÓNICO DE ENCENDIDO CROSSOVER®"</p> <p>Asegúrese de que los cables estén debidamente insertados dentro de los terminales en el módulo de encendido. Verifique que los cables están conectados a los terminales en el botón de encendido debajo del panel de control. Consulte la "GUÍA DE CABLEADO DEL MÓDULO DEL ENCENDEDOR."</p> <p>Si se instala una batería nueva, confirmar que se ha retirado la envoltura de plástico de la batería. Verifique que la batería esté en buen estado e instalada correctamente. Consulte la sección "MANTENIMIENTO DEL SISTEMA ELECTRÓNICO DE ENCENDIDO CROSSOVER®"</p>
El quemador lateral no se enciende.	<p>Asegúrese de que el suministro de gas está abierto.</p> <p>Puede haberse activado el dispositivo de seguridad de caudal excesivo, el cual es parte de la conexión de la barbacoa al cilindro. Para restablecer el dispositivo de seguridad de caudal excesivo, consulte la sección "ENCENDIDO DEL QUEMADOR PRINCIPAL."</p> <p>△ PELIGRO: Cuando se activa el "control de exceso de flujo", una pequeña cantidad de gas sigue fluyendo a los quemadores. Después de cerrar la válvula de la bombona de propano y las perillas de control de los quemadores, espere por lo menos cinco minutos para que el gas se disipe antes de tratar de encender la barbacoa. El no hacer esto podría resultar en una llamarada explosiva que puede causar lesiones corporales graves o la muerte.</p>
El quemador lateral no se enciende, o la llama está baja cuando el quemador está en la posición (†) de fuego alto.	El nivel de gas propano licuado en el tanque podría estar bajo o el mismo está vacío. Rellene el tanque de propano licuado.
	La manguera de combustible puede estar doblada o torcida. Enderece la manguera de combustible.

Si los problemas no pueden corregirse usando cualquiera de estos métodos, por favor contacte al Representante de Atención al Cliente en su área usando la información de contacto en nuestro sitio web. Conéctese a www.weber.com.

CÓMO MANTENER LA BARBACOA DE GAS WEBER® EN EXCELENTES CONDICIONES

⚠ PELIGRO

El no corregir cualquier problema descrito en esta página podría resultar en un incendio, que podría causar lesiones corporales serias o la muerte y daños materiales.

Para mantener la barbacoa de gas Weber® funcionando de forma segura y eficiente como el primer día, le recomendamos que inspeccione y limpie las mallas contra arañas y demás insectos y los tubos de los quemadores al menos una vez al año. A continuación se muestra información importante acerca de estas dos áreas de la barbacoa que deben someterse a mantenimiento anual.

Si usted observa un patrón incorrecto de la llama o se bloquean los orificios de los quemadores o los orificios de las válvulas, proceda a las instrucciones de "LIMPIEZA O REEMPLAZO DE LOS TUBOS DE LOS QUEMADORES" en las páginas siguientes.

PATRÓN DE LA LLAMA DEL QUEMADOR

Los tubos de los quemadores de la barbacoa de gas Weber® fueron ajustados en la fábrica para obtener la mezcla correcta de aire y gas. El patrón correcto de la llama se muestra en la ilustración y se describe a continuación:

- Tubo quemador (1)
- Las puntas ocasionalmente titilarán con un color amarillo (2)
- Azul claro (3)
- Azul oscuro (4)

Revise el patrón de la llama del quemador. Si las llamas no se corresponden con la descripción anterior, ello podría ser una indicación de que las mallas contra arañas y demás insectos se han ensuciado o obstruido.

MALLAS WEBER® CONTRA ARAÑAS Y DEMÁS INSECTOS

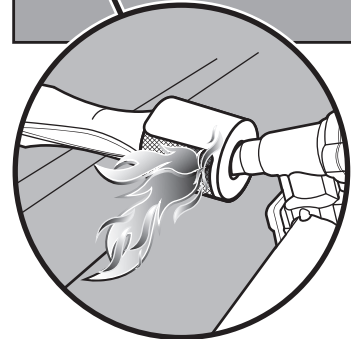
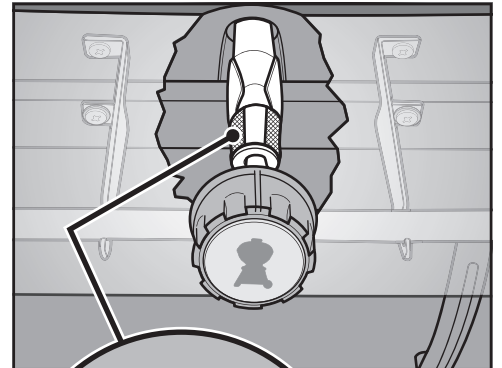
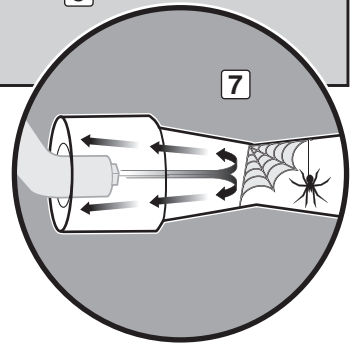
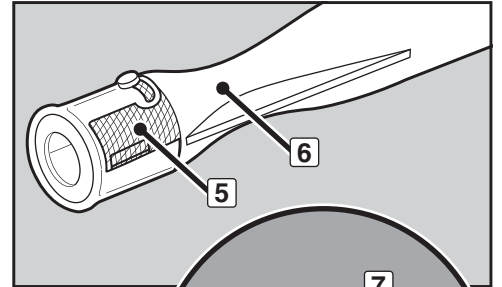
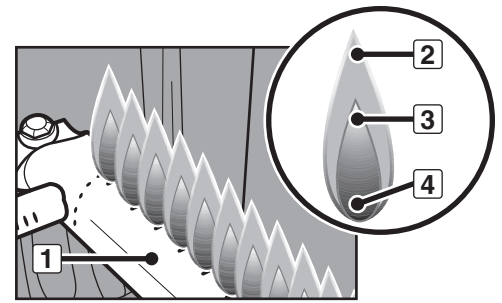
Las entradas de aire de combustión de los tubos de los quemadores (5) están equipadas con mallas de acero inoxidable para ayudar a evitar que las arañas y otros insectos tejan telarañas y construyan nidos dentro de la sección del venturi (6) de los tubos de los quemadores. Estos nidos pueden obstruir el flujo normal de gas, y puede causar que el gas fluya de vuelta hacia afuera de las aberturas de aire de combustión (7). Esto podría resultar en un incendio en y alrededor de las válvulas del quemador, debajo del panel de control, causando serios daños a la barbacoa.

NOTA: Si la malla contra arañas y demás insectos se dañase o no pudiese limpiarse, por favor póngase en contacto con el Representante de Servicios al Cliente de su zona, cuya datos de contacto encontrará en nuestro sitio en la Internet. Conéctese a www.weber.com.

ORIFICIOS DE LOS TUBOS QUEMADORES

Con el tiempo, por el uso repetido de la barbacoa, los orificios de los tubos de los quemadores se ensucian. Los orificios bloqueados y sucios pueden restringir el flujo pleno del gas. Las siguientes son maneras de determinar si los tubos de los quemadores están sucios o bloqueados.

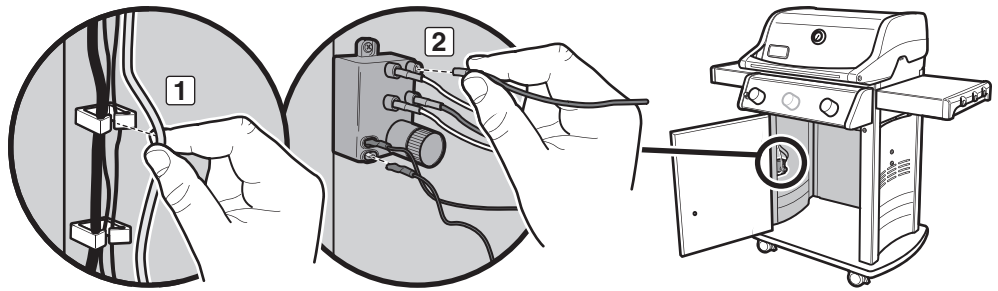
- Se huele gas conjuntamente con llamas del quemador que tienen un semblante perezoso de color amarillo
- La barbacoa no alcanza la temperatura deseada
- La barbacoa se calienta de manera irregular
- Uno o más de los quemadores no se encienden



LIMPIEZA O REEMPLAZO DE LOS TUBOS DE LOS QUEMADORES

Asegúrese de que la barbacoa esté apagada

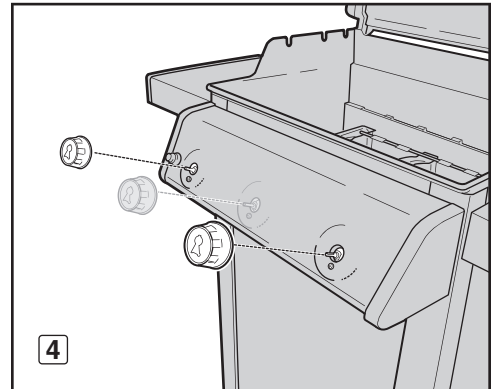
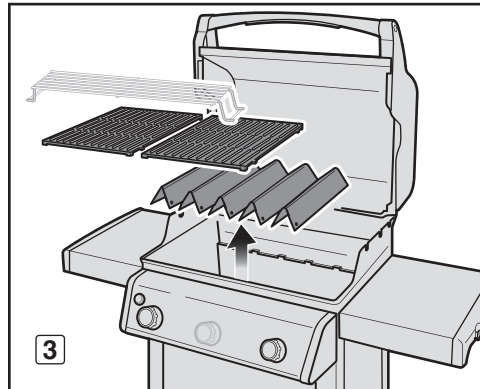
- A) Cierre el suministro de gas en la fuente y desconecte la conexión de gas.
- B) Asegúrese de que todas las perillas de control de los quemadores estén en la posición (O) apagada. Verifíquelo presionando las perillas de control y girando en sentido horario hasta el tope. Si no giran, ya están cerradas. Si sí giran, siga girándolas en sentido horario hasta que se detengan; entonces estarán apagadas. Si la barbacoa cuenta con un quemador lateral, asegúrese de que la perilla de control del mismo esté en la posición apagada.



Retire el panel de control

Usted necesitará: Un destornillador Phillips.

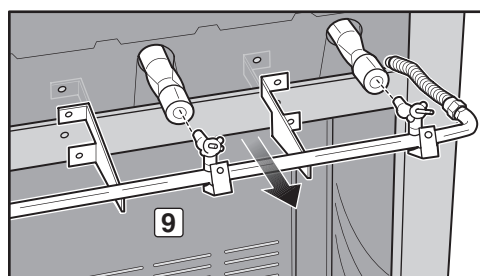
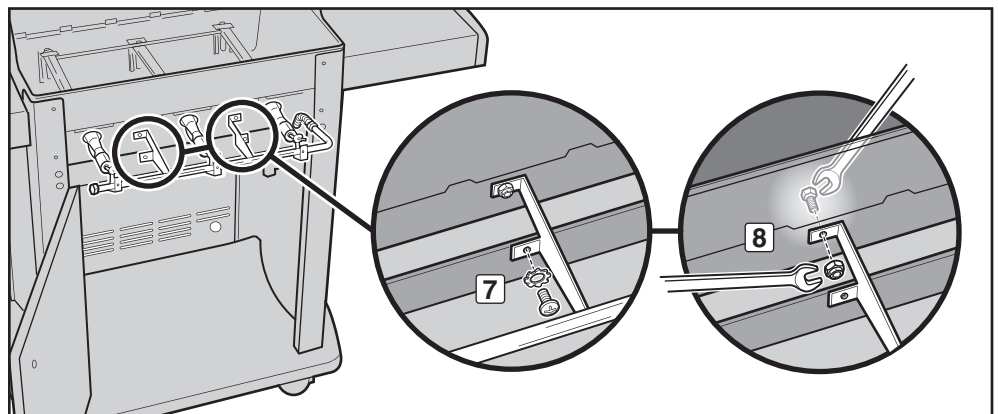
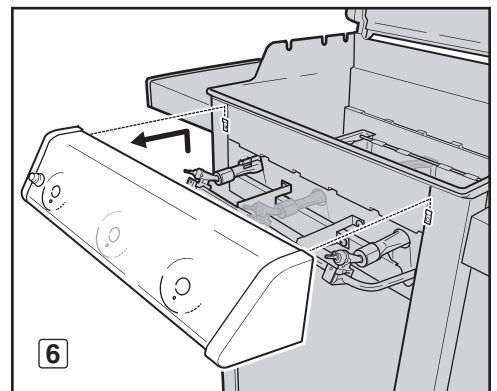
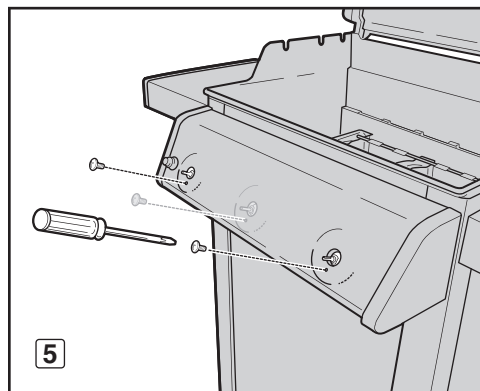
- A) Abra la puerta del gabinete. Retire los cables del encendedor de los clips de cables en el panel interior izquierdo (1). Desconecte los cables del módulo de encendido en el interior del gabinete (2).
- NOTA: No los desconecte tirando de los cables; hale de los terminales en los extremos de los cables.*
- B) Retire los componentes de la caja de cocción (3).
- C) Retire las perillas de control (4).
- D) Retire los tornillos de la parte de abajo del panel de control con un destornillador Phillips (5).
- E) Levante con cuidado el panel de control hacia arriba y luego hacia adelante y en dirección contraria a la caja de cocción (6).



Retire el múltiple

Usted necesitará: Un destornillador Phillips, dos llaves de 7/16 de pulgada.

- A) Con el destornillador Phillips, quite los dos tornillos y las dos arandelas que fijan el múltiple al refuerzo transversal delantero (7).
- B) Con dos llaves de 7/16 de pulgada, retire los dos pernos y las dos tuercas que fijan el múltiple a la caja de cocción (8). Tire del colector hacia adelante y en dirección contraria a los tubos de los quemadores (9). El múltiple permanecerá unido a la(s) línea(s) de gas corrugada(s). Tenga cuidado de no permitir que el múltiple raye el bastidor o una puerta o tuerza la(s) línea(s) corrugada(s) de gas conectada(s).



LIMPIEZA O REEMPLAZO DE LOS TUBOS DE LOS QUEMADORES DE LOS QUEMADORES (continuación)

Retire los tubos de los quemadores

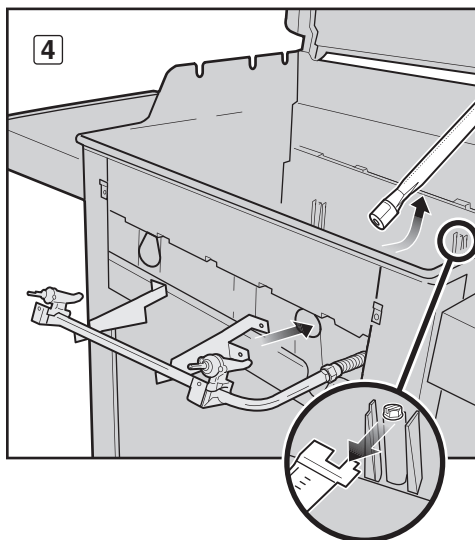
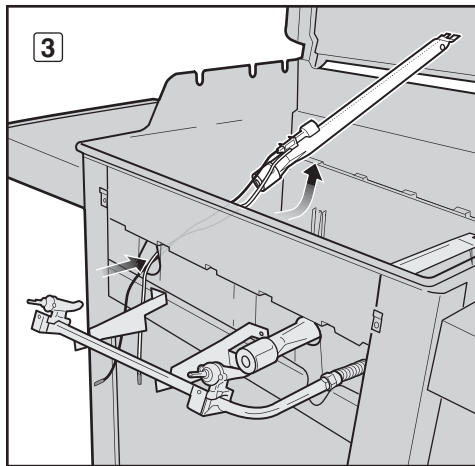
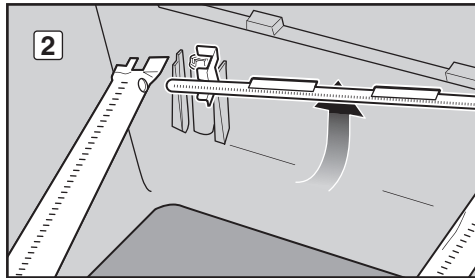
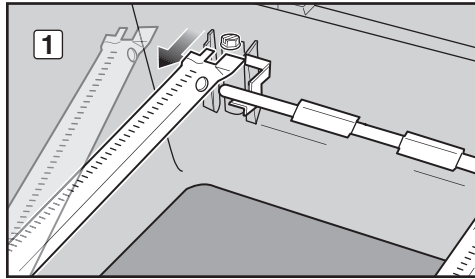
Para las barbacoas Spirit® con 2 quemadores (modelos 210 y 220):

- A) Deslice el tubo del quemador 1 hacia afuera por debajo del tornillo y arandela guías. Mueva el tubo del quemador 1 ligeramente a la izquierda para separarlo del tubo del Crossover® (1).
- B) Retire el tubo del Crossover® (2).
- C) Levante el tubo del quemador 1 hacia arriba y fuera de la caja de cocción al tiempo que guía los cables por el agujero en la caja de cocción (3).
- D) Deslice el tubo del quemador 2 hacia afuera por debajo del tornillo y arandela guías. Levante el tubo del quemador 2 hacia arriba y fuera de la caja de cocción (4).

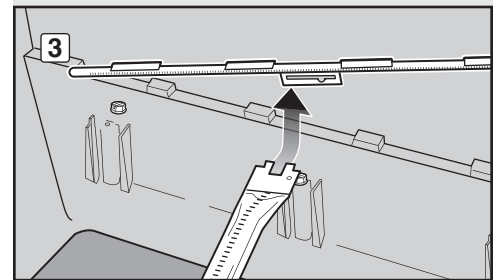
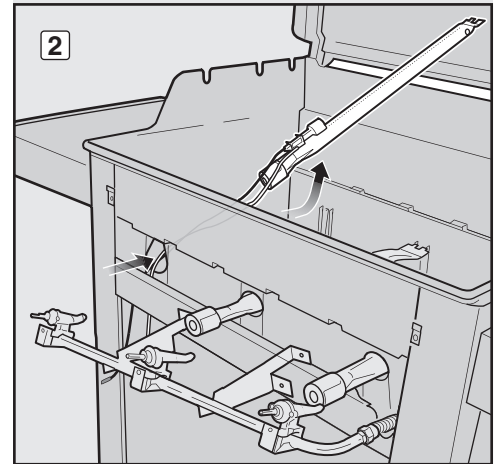
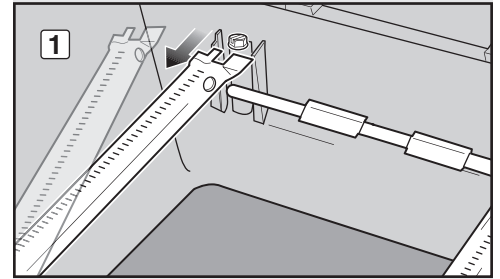
Para las barbacoas Spirit® con 3 quemadores (modelos 310 y 320):

- A) Deslice el tubo del quemador 1 hacia afuera por debajo del tornillo y arandela guías. Mueva el tubo del quemador 1 ligeramente a la izquierda para separarlo del tubo del Crossover® (1).
- B) Levante el tubo del quemador 1 hacia arriba y fuera de la caja de cocción al tiempo que guía los cables por el agujero en la caja de cocción (2).
- C) Deslice el tubo del quemador 3 hacia afuera por debajo del tornillo y arandela guías. Mueva el tubo del quemador 3 ligeramente a la derecha para separarlo del tubo del Crossover®. Levante el tubo del quemador 3 hacia arriba y fuera de la caja de cocción.
- D) Deslice el tubo del quemador 2 hacia afuera por debajo del tornillo y arandela guías. Retire el tubo del Crossover® moviéndolo hacia la parte trasera de la caja de cocción (3). Levante el tubo del quemador 2 hacia arriba y fuera de la caja de cocción.

210/220



310/320



LIMPIEZA O REEMPLAZO DE LOS TUBOS DE LOS QUEMADORES (continuación)

Limpie los tubos del quemador

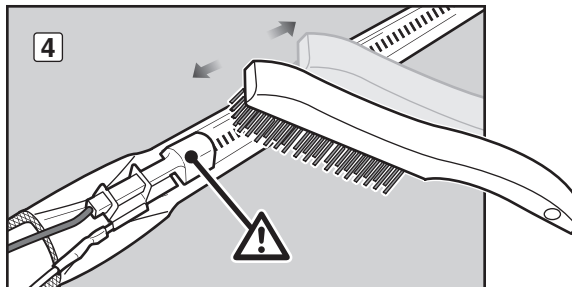
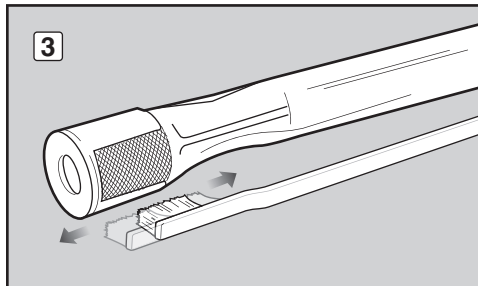
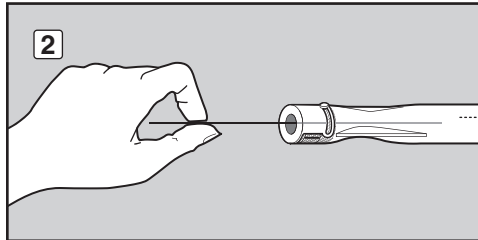
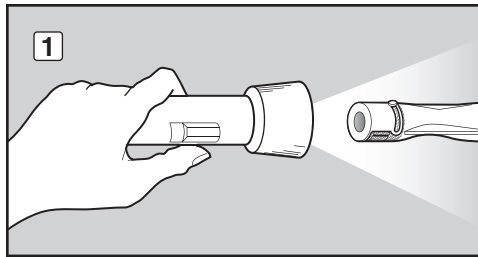
Usted necesitará: Una linterna, un alambre (un gancho de ropa enderezado), un cepillo de cerdas de acero inoxidable adecuado y un cepillo de cerdas suaves (cepillo de dientes).

- A) Revise el interior de cada tubo de quemador y cada tubo del Crossover® con una linterna (1).
- B) Limpie cualquier residuo o bloqueo desde el interior de los tubos con el alambre (2).
- C) Revise las mallas contra arañas y demás insectos en los extremos de los tubos de los quemadores y límpielas con el cepillo de cerdas suaves (3).

⚠ PRECAUCIÓN: No limpie las mallas contra arañas y demás insectos con herramientas duras o afiladas. No las desmonte ni agrande los orificios de las mismas.

- D) Utilice el cepillo de cerdas de acero para limpiar el exterior de los tubos de los quemadores y el tubo del Crossover®. Esto se hace para asegurarse de que todas las aberturas del quemador que corren a lo largo de la longitud de los tubos estén completamente abiertas. Al limpiar el tubo del quemador 1, evite causar daños al electrodo de encendido cepillándolo con cuidado a su alrededor (4).

⚠ PRECAUCIÓN: Al limpiar, no agrande las aberturas del quemador.



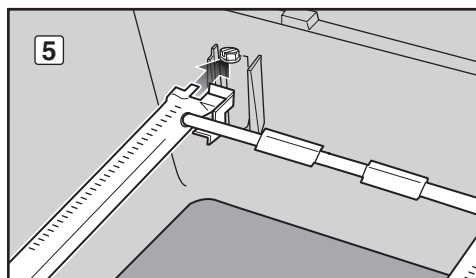
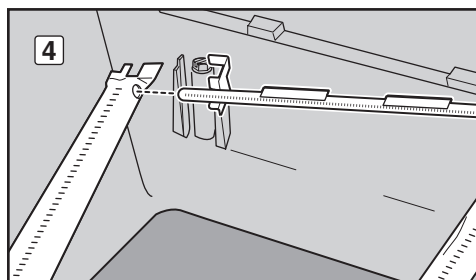
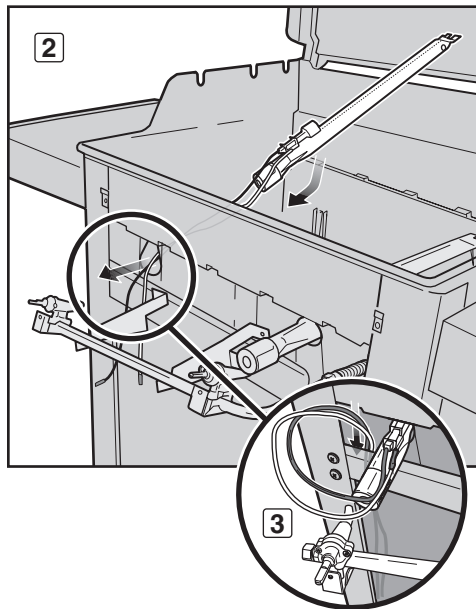
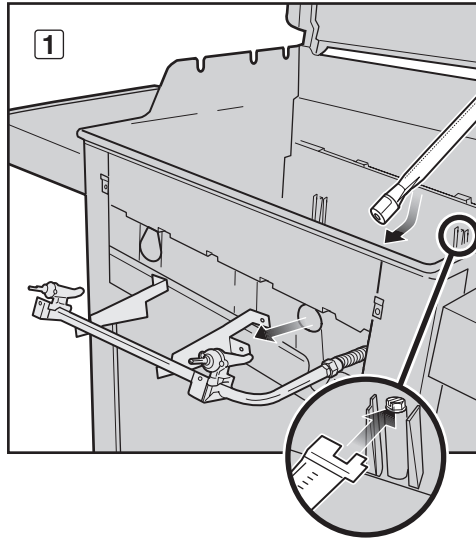
LIMPIEZA O REEMPLAZO DE LOS TUBOS DE LOS QUEMADORES DE LOS QUEMADORES (continuación)

Vuelva a instalar los tubos de los quemadores

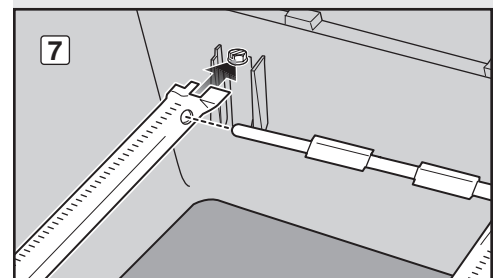
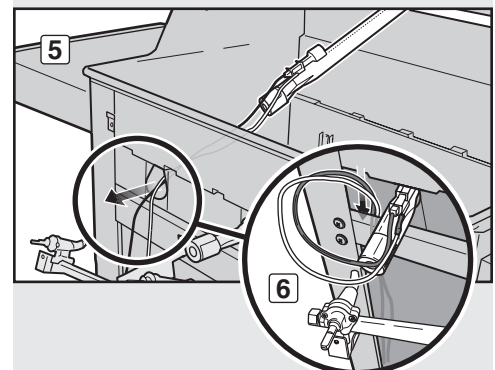
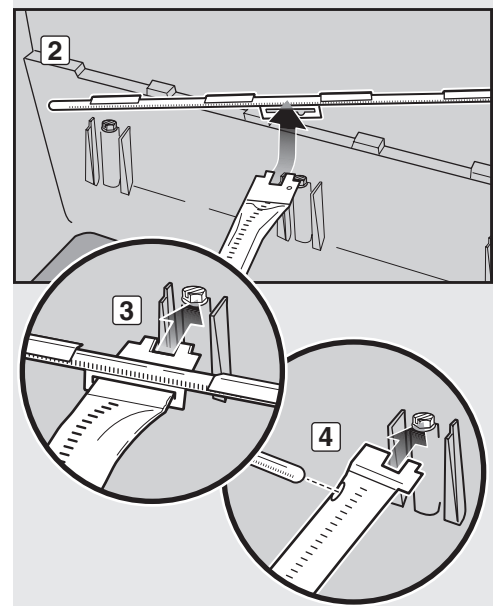
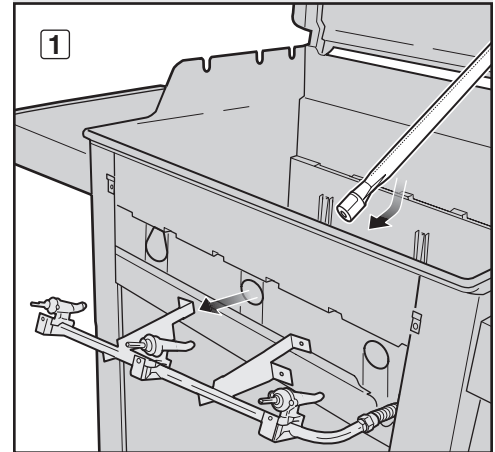
Para las barbacoas Spirit® con 2 quemadores (modelos 210 y 220):

- Coloque el tubo del quemador 2 en el interior de la caja de cocción y pase la parte delantera del tubo a través de la abertura del tubo del quemador 2. *Nota: La hilera única de orificios del quemador debe quedar cara hacia arriba.* Deslice el tubo del quemador 2 por debajo del tornillo y arandela guías (1).
- Coloque el tubo del quemador 1 en el interior de la caja de cocción y pase la parte delantera del tubo a través de la abertura del tubo del quemador 1 (2). Guíe los cables del tubo del quemador 1 entre el refuerzo transversal delantero y la caja de cocción y hacia abajo dentro del gabinete (3).
- Mientras sostiene el tubo del quemador 1, inserte el lado izquierdo del tubo del Crossover® dentro del agujero del quemador del Crossover® (4). Guíe el lado derecho del tubo del Crossover® en el agujero del quemador del Crossover® en el tubo del quemador 2 (no ilustrado). *Nota: Las aberturas del quemador del tubo del Crossover® deben dar cara hacia la parte delantera de la caja de cocción.*
- Deslice el tubo del quemador 1 por debajo del tornillo y arandela guías (5).

210/220



310/320



Para las barbacoas Spirit® con 3 quemadores (modelos 310 y 320):

- Coloque el tubo del quemador 2 en el interior de la caja de cocción y pase la parte delantera del tubo a través de la abertura del tubo del quemador 2 (1). *Nota: La hilera única de orificios del quemador debe quedar cara hacia arriba.*
- Deslice la guía de alineación del tubo del Crossover® sobre el extremo del tubo del quemador 2 (2). *Nota: Las aberturas del quemador del tubo del Crossover® deben dar cara hacia la parte delantera de la caja de cocción.* Con el tubo del Crossover® ya conectado, deslice el tubo del quemador 2 debajo del tornillo y la arandela guías (3).
- Coloque el tubo del quemador 3 en el interior de la caja de cocción y pase la parte delantera del tubo a través de la abertura del tubo del quemador 3 (no ilustrado). Inserte el lado derecho del tubo del Crossover® en el agujero del quemador del Crossover® en el tubo del quemador 3. Deslice el tubo del quemador 3 por debajo del tornillo y arandela guías (4).
- Coloque el tubo del quemador 1 en el interior de la caja de cocción y pase la parte delantera del tubo a través de la abertura del tubo del quemador 1 (5). Guíe los cables del tubo del quemador 1 entre el refuerzo transversal delantero y la caja de cocción y hacia abajo dentro del gabinete (6).
- Mientras sostiene el tubo del quemador 1, inserte el lado izquierdo del tubo del Crossover® dentro del agujero del quemador del Crossover®. Deslice el tubo del quemador 1 por debajo del tornillo y arandela guías (7).

LIMPIEZA O REEMPLAZO DE LOS TUBOS DE LOS QUEMADORES (continuación)

Vuelva a instalar el múltiple

Usted necesitará: Un destornillador Phillips, dos llaves de 7/16 de pulgada.

- A) Alinee las válvulas con los tubos de los quemadores. Con dos llaves de 7/16 de pulgada, instale los pernos y las tuercas que fijan el múltiple a la caja de cocción (1).
- B) Con un destornillador Phillips, instale los tornillos y arandelas que fijan el múltiple al refuerzo transversal delantero (2). Si el múltiple se volvió a instalar correctamente, las válvulas estarán ahora completamente asentadas dentro de los tubos de los quemadores.

⚠ PRECAUCIÓN: Las aberturas de los tubos de los quemadores (3) deberán posicionarse correctamente sobre los orificios de las válvulas (4).

⚠ ADVERTENCIA: Cada vez que conecte o desconecte una conexión de gas, deberá verificar que no hayan fugas de gas. Consulte "REVISIONES PARA DETECTAR FUGAS DE GAS".

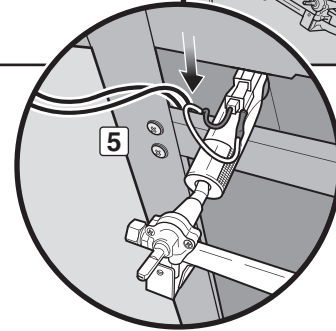
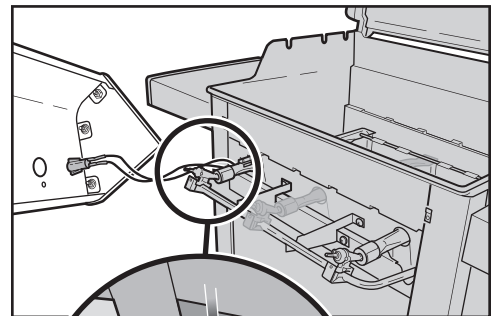
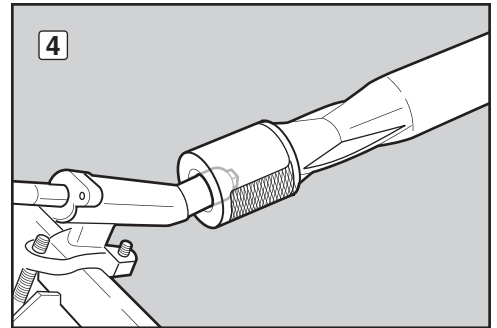
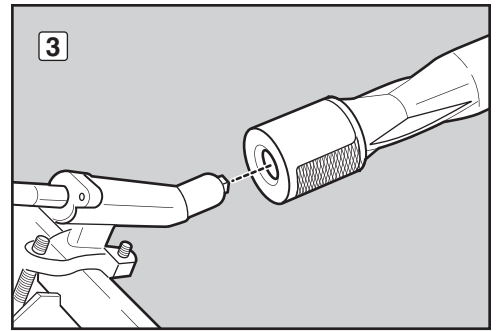
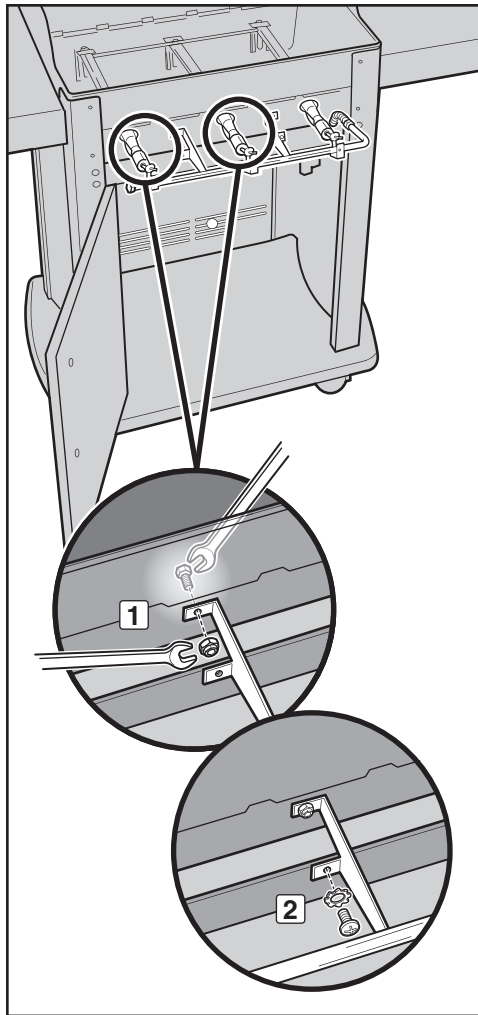
- C) Reemplace los componentes de la caja de cocción (no ilustrados).

Vuelva a instalar el panel de control

Usted necesitará: Un destornillador Phillips.

- A) Guíe los dos cables en la parte posterior del panel de control sobre el refuerzo transversal delantero y hacia abajo dentro del gabinete (5).
- B) Alinee los vástagos de las válvulas con los agujeros en el panel de control. Coloque el borde superior del panel de control sobre las pestañas del ensamble del bastidor. Empuje hacia abajo el panel de control para que encaje en su lugar.
- C) Fije el panel de control con los tornillos.
- D) Coloque las perillas de control en los vástagos de las válvulas.
- E) Conecte los cables al módulo de encendido. Coloque los cables dentro de los clips de alambre en el panel interior izquierdo. Para su colocación correcta, consulte la sección "MANTENIMIENTO DEL SISTEMA ELECTRÓNICO DE ENCENDIDO CROSSOVER®".

⚠ ADVERTENCIA: Asegúrese de que todas las piezas estén ensambladas y que todos los herrajes estén completamente apretados antes de operar la barbacoa. Si no llegase a acatar esta advertencia, sus acciones podrían causar un fuego, una explosión o una falla estructural que podrían resultar en lesiones corporales graves o la muerte o daños materiales.



ALMACENAJE Y/O FALTA DE USO

Para las barbacoas que hayan estado almacenadas o hayan estado sin utilizarse durante un tiempo, es importante seguir estas pautas:

- La válvula de gas en el cilindro de propano licuado debe mantenerse cerrada mientras la barbacoa de gas Weber® esté sin usarse.
- Si va a guardar la barbacoa de gas Weber® en un lugar cerrado, primero desconecte el suministro de gas y almacene el cilindro de gas propano licuado al aire libre en un espacio bien ventilado.
- No almacene un cilindro de gas propano licuado desconectado en una edificación, garaje o cualquier otra área cerrada.
- Si no desconecta el cilindro de gas propano licuado de la barbacoa de gas Weber®, asegúrese de mantener tanto la barbacoa y el cilindro al aire libre en un área bien ventilada.
- Antes de usar, se deberá verificar que la barbacoa de gas Weber® no tenga fugas de gas ni obstrucciones en los tubos de los quemadores. (Consulte la sección de "MANTENIMIENTO ANUAL").
- Asegúrese de que el área debajo del panel de control y la bandeja inferior no tengan desechos que pudiesen obstruir el flujo de aire de combustión o de ventilación.
- También deberá revisarse que la malla contra arañas e insectos no esté obstruida. (Consulte la sección de "MANTENIMIENTO ANUAL").

HERMOSA—POR DENTRO Y POR FUERA

Los propietarios de las barbacoas Weber® están muy orgullosos de sus barbacoas y con buena razón: nuestras barbacoas son maravillas de la ingeniería y del diseño. Haga alarde de su orgullo y alegría. Mantenga su barbacoa limpia y hermosa por dentro y por fuera siguiendo estos pasos de mantenimiento de rutina.

LIMPIEZA DEL EXTERIOR DE LA BARBACOA

Para mantener el exterior de su barbacoa en el mejor aspecto posible, siga las siguientes pautas para limpiar la misma de manera segura.

⚠ ADVERTENCIA: Apague la barbacoa de gas Weber® y espere a que se enfríe antes de limpiarla.

Las superficies pintadas, esmaltadas y de plástico

Use una solución de agua jabonosa tibia para limpiar las superficies externas; luego enjuague con agua.

IMPORTANTE: Sobre la superficie de la barbacoa o del carro, no utilice limpiadores de horno, limpiadores abrasivos (limpiadores de cocinas), limpiadores que contengan productos cítricos, o almohadillas de limpieza abrasivas.

Superficies de acero inoxidable

La barbacoa o el gabinete, la tapa y el panel de control de ésta podrían estar hechos de acero inoxidable. Lave las superficies externas con un paño suave y una solución de agua y jabón, enjuáguelas con agua y séquelas.

Para las partículas persistentes, puede utilizarse un cepillo no metálico. Friegue las superficies de acero inoxidable en la dirección del grano.

IMPORTANTE: No limpie el acero inoxidable con ningún producto que contenga ácido, espíritus minerales o xileno. Enjuague las superficies bien después de lavarlas. No utilice cepillos de alambre o limpiadores abrasivos sobre las superficies de acero inoxidable ya que las rayarán. Al limpiar acero inoxidable asegúrese de fregar o pasar el trapo en la dirección del grano.

LIMPIEZA DEL INTERIOR DE LA BARBACOA

Para mantener a la barbacoa funcionando de forma segura y eficiente, es importante eliminar la suciedad y el exceso de grasa que pueda haberse acumulado en el interior de la misma. Siga las siguientes pautas para la limpieza segura.

Dentro de la tapa

La grasa acumulada escamada se asemeja a las escamas de pintura. Limpie el interior de la tapa con una toalla de papel para evitar la acumulación de grasa. Lave el interior de la tapa con agua tibia y jabón; luego enjuague con agua.

Caja de cocción

Lave el interior de la caja de cocción con agua tibia y jabón; luego enjuague con agua.

Componentes de la caja de cocción

Usted necesitará: Un cepillo de cerdas de acero inoxidable, espátula de plástico rígido.

- Raspe y cepille las parrillas de cocción con la espátula y el cepillo. Retire las parrillas de cocción y colóquelas al lado.
- Raspe y cepille las barras Flavorizer® con el raspador y el cepillo. Cuando sea necesario, lávelas con agua tibia y jabón; luego enjuague con agua. Retire las barras Flavorizer® y colóquelas al lado.

⚠ PRECAUCIÓN: No limpie las barras Flavorizer® o las rejillas de cocción en un horno autolimpiante.

- Cepille cualquier suciedad en los tubos de los quemadores y en el tubo Crossover®. No agrande los orificios del quemador que se encuentran a lo largo de la longitud de los tubos del quemador y del Crossover® (1). *NOTA: Al limpiar el tubo del quemador 1, evite causar daños al electrodo de encendido cepillándolo con cuidado a su alrededor.*
- Cuando termine la limpieza, vuelva a colocar las barras Flavorizer® y las parrillas de cocción en su lugar.

Bandeja deslizante de grasa

La barbacoa fue construida con un sistema de captación de grasa, que conduce la grasa en dirección contraria a los alimentos y hacia recipientes desmontables.

Cada vez que vaya a usar la barbacoa, compruebe que no se haya acumulado grasa en la bandeja deslizante de grasa. Elimine el exceso de grasa con una espátula de plástico (2). Lave la bandeja de grasa con una solución de agua y jabón y enjuáguela con agua.

⚠ PRECAUCIÓN: No forre la bandeja de grasa deslizante con papel de aluminio.

Plato recolector y bandeja de goteo desechable

La grasa proveniente de la bandeja de grasa deslizante pasa a un plato recolector. La limpieza del plato recolector es tan importante como la limpieza de la bandeja de grasa deslizante.

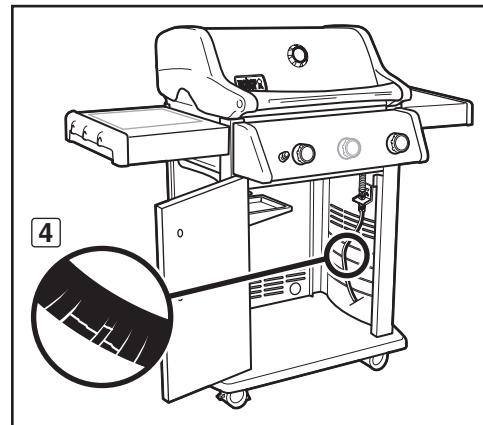
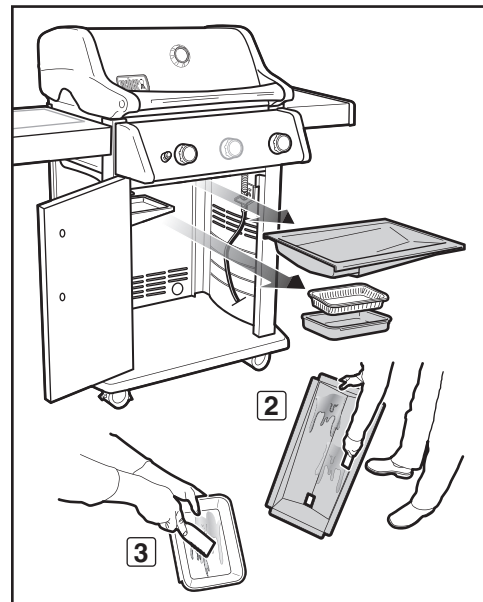
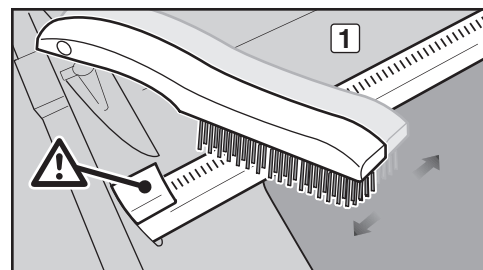
Cada vez que vaya a usar la barbacoa, compruebe que no se haya acumulado grasa en el plato recolector. Elimine el exceso de grasa con una espátula de plástico (3). Lave el plato recolector con agua jabonosa y enjuague con agua limpia. Para mantener el plato recolector limpio durante más tiempo, se puede cubrir el mismo con una bandeja de goteo Weber® desechable o con papel de aluminio.

⚠ ADVERTENCIA: Cada vez que vaya a usar la barbacoa, compruebe que no se haya acumulado grasa ni en la bandeja de grasa deslizante ni el plato recolector. Elimine cualquier exceso de grasa para evitar un incendio. Un incendio de grasa puede causar lesiones corporales graves o daños materiales.

INSPECCIÓN DE LA MANGUERA

Se debe inspeccionar la manguera para detectar cualquier señal de agrietamiento (4).

⚠ ADVERTENCIA: Cada vez que vaya a usar la barbacoa, inspeccione la manguera y asegúrese de que no tenga muescas, grietas, abrasiones o cortes. Si se encontrase que la manguera estuviese dañada de cualquier manera, no utilice la barbacoa. Reemplácela utilizando solamente una manguera de repuesto autorizada por Weber®. Contacte al Representante de Servicios al Cliente en su área utilizando la información de contacto en nuestro sitio web. Conéctese a www.weber.com®.



Para obtener bandejas de goteo desechables, parrillas de cocción y barras Flavorizer®, póngase en contacto con el Representante de Servicio al Cliente en su área usando la información de contacto en nuestra página web. Conéctese a www.weber.com®.

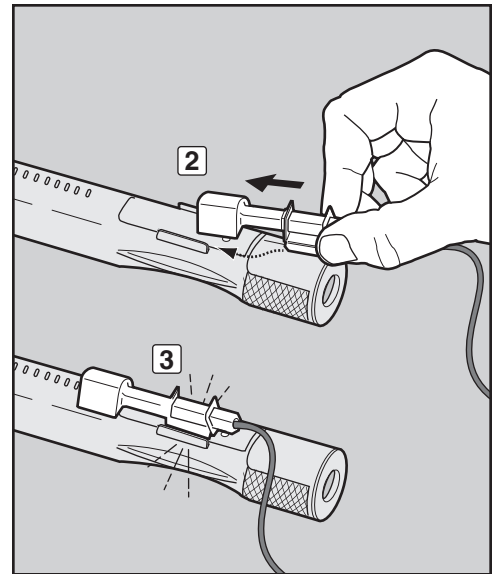
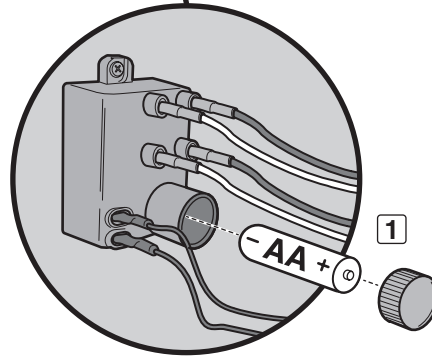
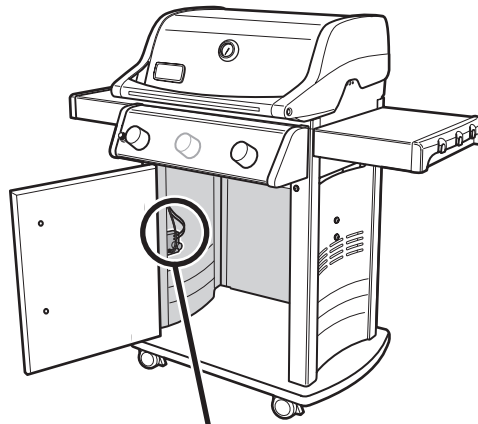
MANTENIMIENTO DEL SISTEMA DE ENCENDIDO ELECTRÓNICO CROSSOVER®

El módulo de encendido suministra energía eléctrica al sistema de encendido electrónico Crossover® y al quemador lateral con un botón de encendido. Ya sea que usted está realizando un mantenimiento de rutina o llevando a cabo un chequeo para la resolución de un problema en el sistema de encendido, lea lo siguiente para mantener el sistema de encendido funcionando correctamente.

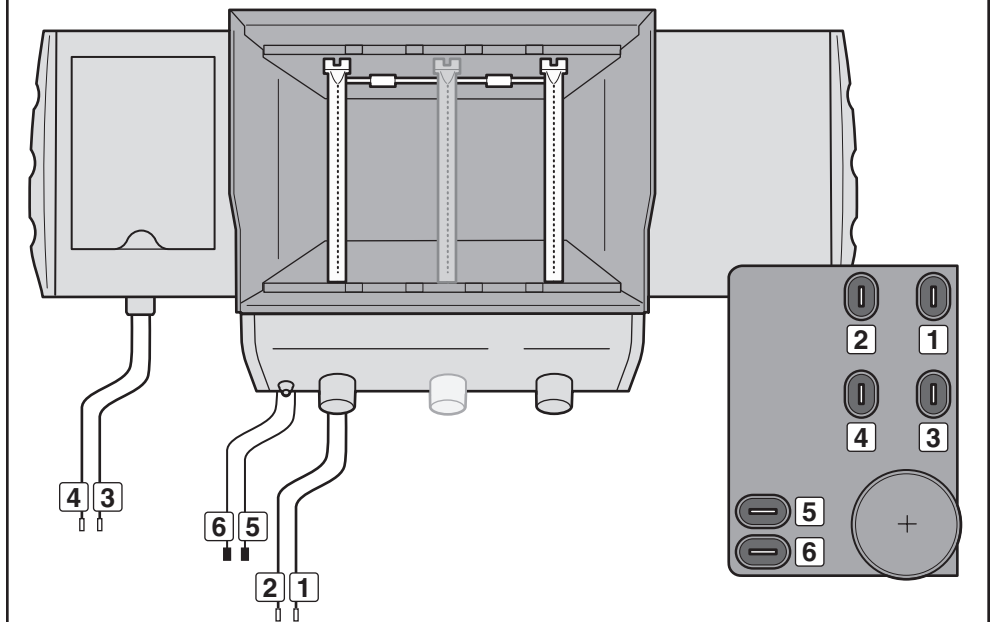
Si el sistema de encendido electrónico Crossover® no llegase a encender, tendrá que determinar dónde se origina el problema: con el flujo de gas o con el sistema de encendido electrónico. Comience tratando de encender los quemadores con un cerillo. Consulte la sección "ENCENDIDO DEL QUEMADOR PRINCIPAL - Encender con un cerillo". Si el encendido con un cerillo es exitoso, el problema está en el sistema de encendido.

- Verifique que la batería AA (sólo alcalinas) esté en buen estado e instalada correctamente (1). Algunas baterías cuentan con un envoltorio protector de plástico alrededor de ellas. Este plástico debe ser quitado antes de instalar la batería. No confunda este plástico con la etiqueta de la batería.
- Asegúrese de que los cables de encendido estén correctamente conectados al módulo de encendido. Consulte la gráfica del "GUÍA DE CABLEADO DEL MÓDULO DEL ENCENDEDOR" en esta página.
- Asegúrese de que el conjunto de cerámica del encendedor esté completamente insertado en el canal de encendido del tubo del quemador (2). Si se introduce correctamente, oirá un chasquido (3).
- Asegúrese de que el botón del encendido electrónico esté funcionando prestando atención de si hace "clíc" y viendo si se están produciendo chispas en el quemador.

Si el sistema de encendido electrónico Crossover® no logra aún encender el quemador, contacte al Representante de Servicio a los Clientes en su región usando la información de contacto en nuestro sitio web. Conéctese a www.weber.com.



GUÍA DE CABLEADO DEL MÓDULO DEL ENCENDEDOR (E220 / E320 / SP320)



QUEMADOR 1	QUEMADOR LATERAL	BOTÓN DE ENCENDIDO
Terminal negro (1)	Terminal azul (3)	Terminal negro (5)
Terminal amarillo (2)	Terminal verde (4)	Terminal negro (6)

LIMPIEZA DEL TUBO DEL QUEMADOR LATERAL

Retire la válvula del quemador lateral

Usted necesitará: Un destornillador Phillips.

- A) Retire los dos tornillos que sujetan la placa de la válvula del quemador lateral a la mesa del quemador lateral (1).
- B) Saque la válvula del quemador lateral del tubo del quemador, tirando el conjunto suavemente hacia adelante (2). Tenga cuidado de no doblar la línea corrugada de gas (3).

Limpie el tubo del quemador

Usted necesitará: Una linterna, un alambre (un gancho de ropa enderezado) y un cepillo de cerdas de acero inoxidable adecuado.

- A) Revise el interior del tubo del quemador con una linterna (4).
- B) Limpie cualquier residuo o bloqueo desde el interior de los tubos con el alambre (5).

Vuelva a instalar la válvula del quemador lateral

Usted necesitará: Un destornillador Phillips.

- A) Alinee la válvula del quemador lateral con la abertura del tubo del quemador lateral.

⚠ PRECAUCIÓN: La abertura del tubo del quemador lateral (6) deberá posicionarse correctamente sobre el orificio de la válvula del quemador lateral (7).

- B) Fije la placa de la válvula del quemador lateral a la mesa del quemador lateral con dos tornillos.

MANTENIMIENTO DEL QUEMADOR LATERAL

⚠ ADVERTENCIA: Todos los controles de gas y las válvulas de suministro deberán estar cerrados en la posición cerrada (O).

- Asegúrese de que el cable negro del encendedor y el cable blanco de conexión a tierra estén conectados al módulo de encendido en el interior del gabinete de la base. Consulte la "GUÍA DE CABLEADO DEL MÓDULO DEL ENCENDEDOR".
- Verifique que los cables no estén doblados.
- Asegúrese de que el botón del encendido electrónico esté funcionando prestando atención de si hace "clíc" y viendo si se están produciendo chispas en el quemador.
- Las chispas deberán ser de color blanco/azul, no amarillas.

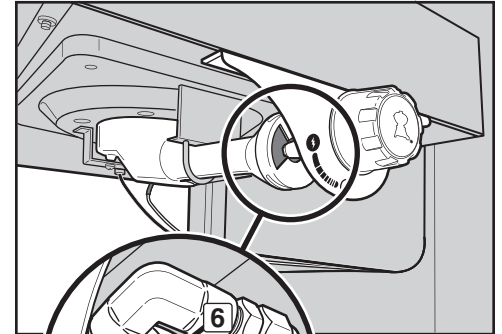
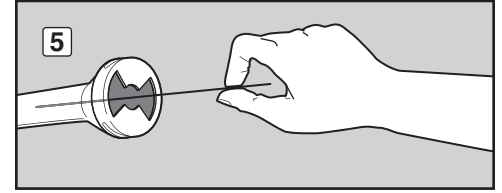
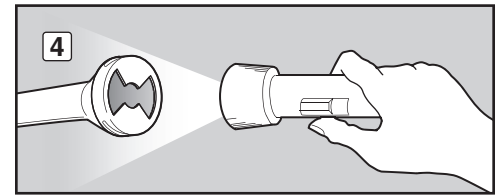
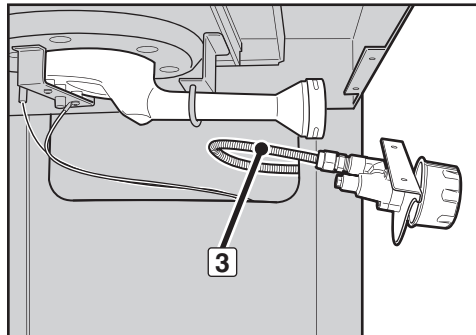
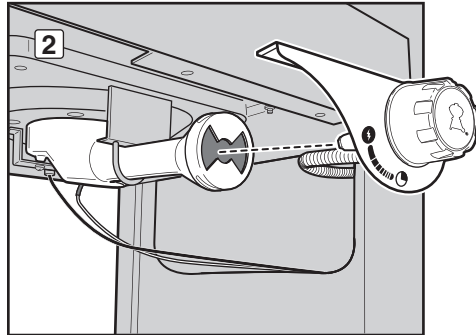
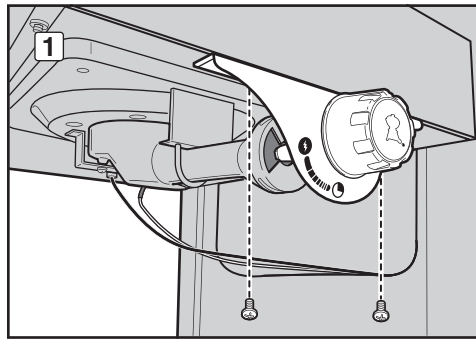


DIAGRAMA DE DESPIECE DEL QUEMADOR LATERAL

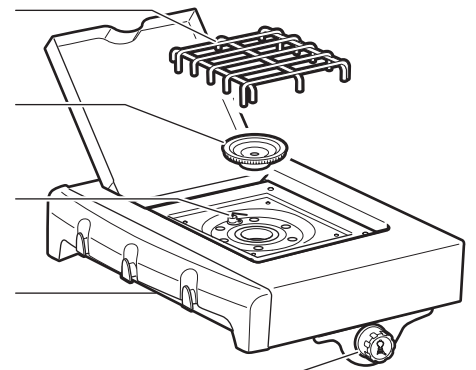
Rejilla del quemador lateral

Cabezal del quemador lateral

Bandeja del quemador lateral

Mesa del quemador lateral

Perilla de control del quemador lateral



⚠ ATENCIÓN: A este producto se le han realizado pruebas de seguridad y ha sido certificado para usarse en un país específico. Refiérase al país indicado en la parte externa del cartón de empaque.

Estas partes pueden ser componentes que transporten gas o lo quemem. Por favor póngase en contacto con el Departamento de Atención al Cliente de Weber-Stephen Products LLC para obtener información sobre las partes de repuesto Weber-Stephen Products LLC genuinas.

⚠ ADVERTENCIA: No trate de realizar reparación alguna a los componentes que transporten o quemem gas sin antes ponerse en contacto con el Departamento de Atención al Cliente de Weber-Stephen Products LLC. Si no llegase a acatar esta advertencia, sus acciones podrían causar un fuego o una explosión que resulte en lesiones personales serias o la muerte o daños a la propiedad.



WEBER-STEPHEN PRODUCTS LLC
www.weber.com[®]

SPIRIT®



MODE D'EMPLOI DU GRILL À GAZ PL

E220 - E320 - SP320



Merci d'avoir acheté un grill Weber®. Vous venez de faire un investissement sage. Maintenant prenez quelques minutes pour le protéger en enregistrant votre produit en ligne sur www.weber.com®.

VOUS DEVEZ LIRE CE MODE D'EMPLOI AVANT D'UTILISER VOTRE GRILL A GAZ.

⚠ DANGER

S'il y a une odeur de gaz :

- 1) Coupez l'admission de gaz de l'appareil.
- 2) Éteindre toute flamme nue.
- 3) Ouvrir le couvercle.
- 4) Si l'odeur persiste, éloignez-vous de l'appareil et appelez immédiatement le fournisseur de gaz ou le service d'incendie.

Une fuite de gaz risque de provoquer un incendie ou une explosion susceptible d'occasionner des blessures graves, voire mortelles, ou des dégâts matériels.

⚠ AVERTISSEMENT

- 1) Ne pas entreposer ni utiliser de l'essence ni d'autres vapeurs ou liquides inflammables dans le voisinage de l'appareil, ni de tout autre appareil.
- 2) Une bouteille de propane qui n'est pas raccordée en vue de son utilisation, ne doit pas être entreposée dans le voisinage de cet appareil ou de tout autre appareil.

- ⚠ **MISE EN GARDE** : Suivez toutes les procédures de détection des fuites de ce manuel avec soin avant d'utiliser le barbecue. Faites-le même si le barbecue a été assemblé par le revendeur.
- ⚠ **MISE EN GARDE** : N'allumez pas cet appareil sans lire d'abord les sections traitant de **L'ALLUMAGE DU BRULEUR** de ce manuel.

CET APPAREIL A GAZ EST CONÇU POUR UNE UTILISATION EN EXTERIEUR UNIQUEMENT.

NOTE A L'INTENTION DE L'INSTALLATEUR : Les présentes instructions doivent être remises au propriétaire et le propriétaire devrait les conserver pour les utiliser plus tard.



57205

FC - FRENCH CANADIAN

⚠ DANGER

Le fait de ne pas respecter les consignes intitulées DANGER, MISE EN GARDE et ATTENTION contenues dans ce Mode d'emploi risque d'entraîner des blessures graves voire un décès, ou risque de provoquer un incendie ou une explosion à l'origine de dégâts matériels.

WARNINGS:

- ⚠ Un assemblage incorrect du grill peut s'avérer dangereux. Veuillez suivre attentivement les instructions pour l'assemblage.
- ⚠ N'utilisez pas ce grill tant que toutes les pièces ne sont pas en place. Le grill doit être correctement assemblé conformément aux instructions d'assemblage.
- ⚠ Votre grill à gaz Weber® ne devrait jamais être utilisé par des enfants. Les pièces accessibles du grill peuvent atteindre une température très élevée. Maintenez les jeunes enfants éloignés lorsque ce grill est utilisé.
- ⚠ Faites preuve de prudence lorsque vous utilisez votre grill à gaz Weber®. Il sera chaud pendant la cuisson ou le nettoyage, et il ne devrait jamais être laissé sans surveillance, ni déplacé pendant son fonctionnement.
- ⚠ N'utilisez pas de charbon de bois ou de pierres de lave dans votre grill à gaz Weber®.
- ⚠ Lorsque vous allumez le grill ou que vous cuisinez, ne vous penchez jamais au-dessus d'un grill ouvert.
- ⚠ Ne placez jamais les mains ou les doigts sur l'extrémité avant du boîtier de cuisson lorsque le grill est chaud ou que le couvercle du grill est ouvert.
- ⚠ Ne tentez pas de débrancher l'assemblage régulateur de gaz et tuyau ou tout autre raccord de gaz pendant que votre grill est en fonctionnement.
- ⚠ Utilisez des maniques ou des gants pour barbecue résistants à la chaleur lorsque vous utilisez le grill.
- ⚠ Utilisez l'assemblage régulateur de pression et tuyau qui est fourni avec votre grill à gaz Weber®.
- ⚠ Si les brûleurs s'éteignent alors que le grill est en marche, tournez toutes les valves de gaz pour les fermer. Ouvrez le couvercle puis patientez cinq minutes avant de tenter de rallumer le grill, en utilisant les instructions pour l'allumage.
- ⚠ N'utilisez pas le grill dans un rayon de 24 pouces de tous matériaux inflammables. Ceci inclut le haut, le bas, l'arrière ou les côtés du grill.

- ⚠ N'encastrez pas ce type de grill dans toute structure encastrée ou à glissière. Le fait d'ignorer cette MISE EN GARDE risquerait de provoquer un incendie ou une explosion susceptible d'entraîner des dégâts matériels et d'être à l'origine de blessures graves voire d'un décès.
- ⚠ Ne stockez pas une bouteille de propane liquide supplémentaire (de rechange) ou une bouteille de propane liquide débranchée sous ou à proximité de ce grill.
- ⚠ Après une période de stockage et/ou d'inutilisation, le grill à gaz Weber® devrait faire l'objet d'une vérification des fuites de gaz et des obstructions des brûleurs avant utilisation. Voir les instructions du présent Mode d'emploi pour les procédures correctes.
- ⚠ N'utilisez pas le grill à gaz Weber® en cas de fuite de gaz.
- ⚠ N'utilisez pas une flamme pour détecter les fuites de gaz.
- ⚠ Ne placez pas une bâche sur le grill ni aucune matière inflammable dessus, ou à l'intérieur de la zone de stockage située sous le grill, lorsque le grill est en fonctionnement ou à haute température.
- ⚠ Le gaz propane liquide n'est pas du gaz naturel. La conversion ou la tentative d'utilisation de gaz naturel dans un appareil à gaz propane liquide ou de gaz propane liquide dans un appareil à gaz naturel est dangereuse et elle annulera votre garantie.
- ⚠ Maintenez tout cordon d'alimentation électrique ainsi que le tuyau d'alimentation en combustible éloignés de toutes surfaces à haute température.
- ⚠ N'élargissez pas les orifices de la valve ou les ports du brûleur lorsque vous nettoyez les valves ou les brûleurs.
- ⚠ Le grill à gaz Weber® devrait être régulièrement nettoyé de manière approfondie.
- ⚠ Une bouteille de propane liquide bosselée ou rouillée peut être dangereuse et elle devrait être vérifiée par votre fournisseur de propane liquide. N'utilisez pas une bouteille de propane liquide avec une valve détériorée.
- ⚠ Bien que votre bouteille de propane liquide puisse sembler vide, il est possible qu'elle contienne toujours du gaz, et la bouteille de PL devrait être transportée et stockée en conséquence.

- ⚠ Si vous voyez, sentez ou entendez le sifflement du gaz qui s'échappe de la bouteille de propane liquide :
 1. Écartez-vous de la bouteille de propane liquide.
 2. Ne tentez pas de corriger le problème vous-même.
 3. Appelez les pompiers.
- ⚠ En cas de feu de graisse, fermez tous les brûleurs et laissez le couvercle fermé jusqu'à ce que le feu s'éteigne.

MISES EN GARDE SUPPLÉMENTAIRES POUR L'ÉTAT DE CALIFORNIE :

- ⚠ Les sous-produits de combustion issus de l'utilisation de ce produit contiennent des agents chimiques reconnus par l'état de Californie comme étant à l'origine de cancer, de malformations congénitales ou d'autres troubles de la reproduction.
- ⚠ Mise en garde la Proposition 65 : La manipulation du cuivre présent dans ce produit vous expose au plomb, un agent chimique reconnu par l'état de Californie comme étant à l'origine de cancers, de malformations congénitales et d'autres troubles de la reproduction. (Lavez-vous les mains après avoir manipulé ce produit.)

Weber-Stephen Products LLC (Weber) garantit par le présent document à l'ACHETEUR D'ORIGINE de ce grill à gaz Weber® qu'il ne comportera aucun défaut de pièce ni de main d'œuvre à compter de la date d'achat comme suit :

Roulettes en aluminium :	25 ans (2 ans pour la peinture ; sauf la décoloration)
Châssis en acier inoxydable :	25 ans
Châssis émaillé de porcelaine :	25 ans
Tubes du brûleur en acier inoxydable :	10 ans
Grilles de cuisson en acier inoxydable :	5 ans sans rouille ni brûlure
Barres Flavorizer® en acier inoxydable :	5 ans sans rouille ni brûlure
Grilles de cuisson en fonte d'acier émaillée de porcelaine :	5 ans sans brûlure ni porcelaine
Grilles de cuisson émaillées :	3 ans sans rouille ni brûlure
Barres Flavorizer® émaillées :	2 ans sans rouille ni brûlure
Brûleur de la rôtissoire à infrarouge :	2 ans
Toutes les autres pièces :	2 ans

lorsque celui-ci est assemblé et utilisé conformément aux instructions imprimées qui l'accompagnent. Il est possible que Weber exige une preuve raisonnable de votre date d'achat. PAR CONSÉQUENT, VOUS DEVRIEZ CONSERVER VOTRE TICKET DE CAISSE OU VOTRE FACTURE.

La présente Garantie limitée est limitée à la réparation ou au remplacement des pièces qui s'avèrent défectueuses dans le cadre d'une utilisation normale et d'un entretien normal et qui à l'examen indiquent, à la satisfaction de Weber, qu'elles sont défectueuses. Avant de retourner toute pièce, veuillez contacter le représentant du Service clientèle de votre région à l'aide des coordonnées à votre disposition sur notre site Internet. Si Weber confirme le défaut et approuve la demande, Weber décidera de remplacer ces pièces sans frais. S'il vous est demandé de retourner des pièces défectueuses, les frais de transport devront être prépayés. Weber retournera les pièces à l'acheteur, franco de port.

La présente Garantie limitée ne couvre aucun défaut ni aucune difficulté de fonctionnement en raison d'un accident, d'un abus, d'une mauvaise utilisation, d'une altération, d'une mauvaise application, d'un vandalisme, d'une installation incorrecte ou d'une maintenance ou d'un entretien incorrects, ou du fait de ne pas avoir effectué la maintenance normale et de routine, notamment mais pas uniquement les dommages provoqués par des insectes à l'intérieur des tubes du brûleur, tel que décrit dans ce Mode d'emploi.

Toute détérioration ou tout dommage dus à des conditions météorologiques graves telles que de la grêle, des ouragans, des séismes ou des tornades, toute décoloration due à une exposition à des agents chimiques que ce soit directement ou dans l'atmosphère, n'est pas couvert par la présente Garantie limitée.

Il n'existe aucune autre garantie expresse à l'exception de ce qui est exposé ici et dans toutes garanties induites applicables de commercialisation et d'adaptation à un usage particulier sont limitées en durée à la période de couverture de la présente Garantie limitée expresse écrite. Certaines régions n'autorisent pas la limitation de la durée d'une garantie induite, il est donc possible que la présente limitation de garantie ne s'applique pas dans votre cas.

Weber n'est pas responsable pour tous dommages particuliers, indirects ou secondaires. Certaines régions n'autorisent pas l'exclusion ou la limitation des dommages induits ou secondaires, de sorte qu'il est possible que la présente limitation ou exclusion ne s'applique pas dans votre cas.

Weber n'autorise aucune personne ni société à assumer pour elle toute autre obligation ou responsabilité en relation avec la vente, l'installation, l'utilisation, le retrait, le retour ou le remplacement de ses équipements ; et aucune représentation de ce type ne lie Weber.

La garantie s'applique uniquement aux produits vendus au détail.

WEBER-STEPHEN PRODUCTS LLC
Product Registration
P.O. Box 40530
Burlington, ON L7P 4W1

Pour des pièces de rechange, appelez le :
1-800-265-2150
www.weber.com®

Connectez-vous sur www.weber.com®, sélectionnez votre pays d'origine, et enregistrez votre grill aujourd'hui.

Il est possible que les grills illustrés dans le présent Mode d'emploi présentent de légères différences par rapport au modèle acheté.

SPIRIT® E220 LP VUE ECLATEE	4
SPIRIT® E320 LP VUE ECLATEE	6
SPIRIT® SP320 LP VUE ECLATEE	8
MISES EN GARDES	60
GARANTIE	61
TABLE DES MATIÈRES	61
INFORMATIONS IMPORTANTES SUR LE GAZ PL	62
QU'EST-CE QUE LE GAZ PROPANE LIQUIDE ?	62
ASTUCES POUR UNE MANIPULATION SANS DANGER DES BOUTEILLES DE GAZ PROPANE LIQUIDE	62
STOCKAGE ET/OU INUTILISATION	62
CODES D'INSTALLATION POUR LES USA	62
CODES D'INSTALLATION POUR LE CANADA	62
EXIGENCES RELATIVES AUX BOUTEILLES DE PL AUX USA	62
EXIGENCES RELATIVES AUX BOUTEILLES DE PL AU CANADA	62
INFORMATIONS IMPORTANTES SUR LES RACCORDS DE GAZ PL	63
QU'EST-CE QU'UN RÉGULATEUR ?	63
RACCORDEMENTS DU RÉGULATEUR	63
INSTALLATION ET RETRAIT DE LA BOUTEILLE DE PL	64
ALIMENTER VOTRE GRILL	64
INSTALLATION DE LA BOUTEILLE DE PL	64
NIVEAU DE COMBUSTIBLE	65
RETIRER LA BOUTEILLE DE PROPANE LIQUIDE POUR LA RECHARGER OU LA REMPLACER	65
REMPLEIR LA BOUTEILLE DE GAZ PL	65
SE PRÉPARER À UTILISER LE GRILL	66
QU'EST-CE QU'UNE DÉTECTION DES FUITES ?	66
DÉMONTAGE PARTIEL DE VOTRE GRILL POUR UNE DÉTECTION DES FUITES	66
DÉTECTION DES FUITES DE GAZ	67
TRUCS & ASTUCES POUR LA GRILLADE	68
TRUCS & ASTUCES	68
PRÉCHAUFFAGE	68
CUISSON COUVERTE	68
SYSTEME FLAVORIZER®	68
JUS DE VIANDE ET GRAISSE	68
CONTRÔLES DE SÉCURITÉ AVANT D'UTILISER VOTRE GRILL	69
LA SÉCURITÉ D'ABORD	69
PLATEAU DE RÉCUPÉRATION DES GRAISSES AMOVIBLE	69
ÉGOUTTOIR ET ÉGOUTTOIR JETABLE	69
INSPECTION DU TUYAU	69
ALLUMAGE & UTILISATION DU BRÛLEUR PRINCIPAL	70
MÉTHODES POUR L'ALLUMAGE DU BRÛLEUR	70
ALLUMAGE DU BRÛLEUR PRINCIPAL	70
POUR ÉTEINDRE LE BRÛLEUR	70
ALLUMAGE & UTILISATION DU BRÛLEUR LATÉRAL	72
SUR LE CÔTÉ	72
ALLUMAGE DU BRÛLEUR LATÉRAL	72
POUR ÉTEINDRE LE BRÛLEUR LATÉRAL	72
DÉPANNAGE	74
DÉPANNAGE GÉNÉRAL	74
DÉPANNAGE DU BRÛLEUR LATÉRAL	74
MAINTENANCE ANNUELLE	75
CONSERVER VOTRE GRILL À GAZ WEBER® EN PARFAIT ÉTAT	75
ASPECT DE LA FLAMME DU BRÛLEUR	75
GRILLES ANTI-ARAIGNÉES/INSECTES WEBER®	75
PORTS DU TUBE DU BRÛLEUR	75
NETTOYAGE DU TUBE DU BRÛLEUR OU REMPLACEMENT	76
STOCKAGE ET/OU INUTILISATION	80
MAINTENANCE DE ROUTINE	81
MAGNIFIQUE—DEDANS COMME DEHORS	81
NETTOYAGE DE L'EXTÉRIEUR DU GRILL	81
NETTOYAGE DE L'INTÉRIEUR DU GRILL	81
INSPECTION DU TUYAU	81
MAINTENANCE DU SYSTÈME D'ALLUMAGE ÉLECTRONIQUE CROSSOVER®	82
NETTOYAGE DU TUBE DU BRÛLEUR LATÉRAL	83
MAINTENANCE DU BRÛLEUR LATÉRAL	83

QU'EST-CE QUE LE GAZ PROPANE LIQUIDE ?

Le propane liquide (PL) est un produit inflammable à base de pétrole utilisé pour alimenter votre grill. Il est à l'état gazeux à des températures et à des pressions modérées lorsqu'il n'est pas contenu. Mais sous l'effet d'une pression modérée à l'intérieur d'un récipient, comme une bouteille de gaz, le PL est liquide. Lorsque la pression diminue dans la bouteille de gaz, le liquide se vaporise et devient du PL à l'état gazeux.

- Le PL a une odeur semblable à celle du gaz naturel. Vous devriez être sensibilisé à cette odeur.
- Le PL est plus lourd que l'air. Il est possible qu'une fuite PL s'accumule dans des zones basses et résiste à la dispersion.

ASTUCES POUR UNE MANIPULATION SANS DANGER DES BOUTEILLES DE GAZ PROPANE LIQUIDE

Il existe diverses consignes et facteurs de sécurité que vous devez garder à l'esprit lorsque vous utilisez du gaz propane liquide (PL). Suivez attentivement ces consignes avant d'utiliser votre grill à gaz Weber®.

- Fermez toujours la valve de la bouteille de PL avant de débrancher le régulateur.
- N'utilisez pas une bouteille de PL détériorée. Une bouteille de PL bosselée ou rouillée ou une bouteille de PL avec une valve détériorée risque d'être dangereuse et devrait être remplacée par une bouteille neuve immédiatement.
- Traitez les bouteilles de PL "vides" avec le même soin que celui que vous apporteriez à des bouteilles pleines. Même lorsqu'une bouteille de PL ne contient aucun liquide, il peut encore y avoir de la pression de gaz à l'intérieur de la bouteille.
- La bouteille de PL doit être installée, transportée, et rangée en position verticale. Les bouteilles de PL ne devraient pas être lâchées ou manipulées sans ménagement.
- Ne stockez ou ne transportez jamais la bouteille de PL dans des lieux où les températures peuvent atteindre 125° F (la bouteille de gaz deviendrait trop chaude pour être tenue à la main). Par exemple : ne laissez pas la bouteille de PL dans une voiture par une journée chaude.

- Détectez les fuites au niveau du raccord où le régulateur se connecte à la bouteille de PL à chaque nouveau branchement. Par exemple : testez à chaque fois que la bouteille de PL est rechargée puis remise en place.
- Les bouteilles de PL doivent être maintenues hors de portée des enfants.

STOCKAGE ET/OU INUTILISATION

Pour les grills qui ont été stockés ou qui sont restés inutilisés pendant un certain temps, il est important de suivre ces conseils :

- Le gaz doit être fermé au niveau de la bouteille de PL lorsque le grill à gaz Weber® n'est pas utilisé.
- ⚠ **MISE EN GARDE : Assurez-vous que la valve de la bouteille de PL est fermée lorsque le grill est inutilisé. Fermez la valve en la tournant dans le sens des aiguilles d'une montre.**
- Si vous stockez le grill à gaz Weber® à l'intérieur, commencez par DÉBRANCHER l'arrivée de gaz puis rangez la bouteille de PL à l'extérieur dans un espace bien ventilé.
- ⚠ **ATTENTION : Placez un cache anti-poussière sur la sortie de la valve à chaque fois que la bouteille de gaz est inutilisée. Installez uniquement le type de cache anti-poussière pour sortie de valve qui est fourni avec la valve de la bouteille de gaz. D'autres types de caches ou de bouchons risquent d'entraîner une fuite de propane.**
- Ne rangez pas une bouteille de PL débranchée dans un bâtiment, un garage ou toute autre zone confinée.
- Si vous ne débranchez pas la bouteille de PL du grill à gaz Weber®, assurez-vous de maintenir le grill et la bouteille de gaz à l'extérieur dans une zone bien ventilée.
- Le grill à gaz Weber® devrait faire l'objet d'un contrôle afin de détecter toute fuite de gaz et obstruction éventuelle à l'intérieur des tubes du brûleur avant que celui-ci soit utilisé. (Voir "MAINTENANCE ANNUELLE".)
- Vérifiez que les zones sous le panneau de commande et le plateau amovible de récupération des graisses ne contiennent aucun débris susceptible de faire obstruction au passage de l'air nécessaire à la combustion ou à la ventilation.
- Les grilles anti-araignées/insectes devraient également être vérifiées afin de détecter toute obstruction. (Voir "MAINTENANCE ANNUELLE".)

CODES D'INSTALLATION POUR LES USA

L'installation doit être conforme aux codes locaux ou, en l'absence de codes locaux, avec le Code national des gaz combustibles, ANSI Z223.1/NFPA 54, Code des installations de gaz naturel et propane, CSA B149.1 ; ou le Code de stockage et de manipulation du propane, B149.2 ; ou la Norme relative aux véhicules de loisirs, ANSI A 119.2/NFPA 1192, et CSA Z240 Série RV, Code relative aux véhicules de loisirs, le cas échéant.

CODES D'INSTALLATION POUR LE CANADA

Ces instructions, bien que généralement acceptables, ne respectent pas nécessairement les codes pour les installations au Canada, en particulier en ce qui concerne les canalisations au-dessus du sol et souterraines. Au Canada, l'installation de cet appareil doit respecter les codes locaux et/ou la Norme CSA-B149.2 (Code pour la manipulation et le stockage du gaz propane liquide).

EXIGENCES RELATIVES AUX BOUTEILLES DE PL AUX USA

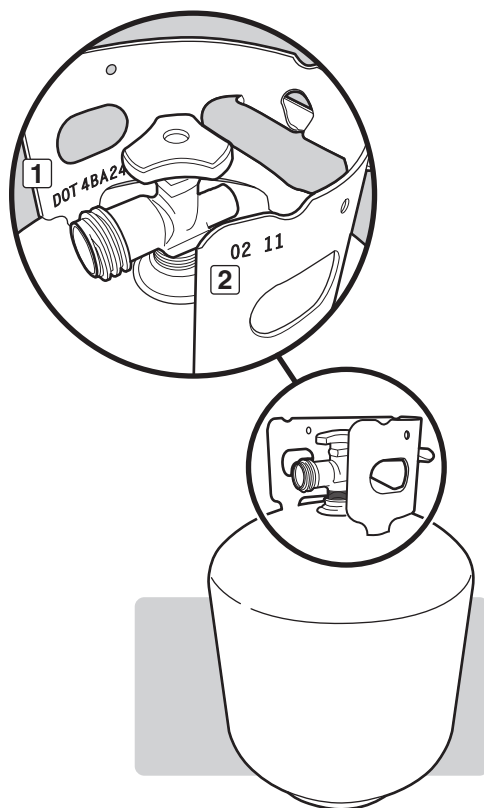
- Assurez-vous que les bouteilles de gaz ont une certification D.O.T. (1), et que la date de test (2) est de moins de cinq ans par rapport à la période d'utilisation actuelle. Votre fournisseur de gaz PL peut faire cela pour vous.
- Tous les systèmes d'approvisionnement de bouteilles de PL doivent inclure un collier afin de protéger la valve de la bouteille de gaz.
- La bouteille de PL doit être de 20 livres, environ 18¼ pouces de haut et 12¼ pouces de diamètre.
- La bouteille de gaz doit être fabriquée et marquée conformément aux spécifications pour le PL - Bouteilles de gaz du ministère du Transport des USA (D.O.T.) ou Norme nationale du Canada, CAN/CSA-B339, Bouteilles de gaz, sphères et tubes ou Transport de matières dangereuses ; et Commission, le cas échéant.

⚠ **MISE EN GARDE : La bouteille de propane liquide utilisée avec votre grill doit être pourvue d'un dispositif de prévention du sur-remplissage homologué et d'un raccord de bouteille de gaz QCC1 ou de Type 1 (CGA810). Le raccord de la bouteille de gaz doit être compatible avec le raccord du grill.**

EXIGENCES RELATIVES AUX BOUTEILLES DE PL AU CANADA

- La bouteille de PL doit être fabriquée et marquée conformément aux spécifications pour les bouteilles de gaz PL, T.C.

REMARQUE : Votre revendeur peut vous aider à trouver une bouteille de gaz de remplacement adaptée à votre grill.



QU'EST-CE QU'UN RÉGULATEUR ?

Votre grill à gaz Weber® est équipé d'un régulateur de pression, qui est un dispositif qui permet de contrôler et de maintenir une pression de gaz uniforme pendant que le gaz est relâché par la bouteille de gaz PL.

RACCORDEMENTS DU RÉGULATEUR

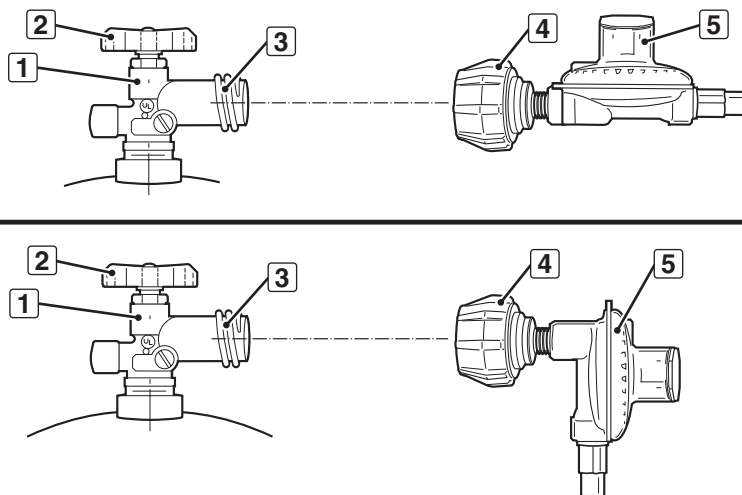
Chaque régulateur de PL Weber® est conçu pour éliminer la vapeur et est équipé d'un raccord de bouteille de Type 1 homologué UL tel que décrit dans la dernière édition de l'ANSI Z21.58. LA BOUTEILLE DE PL QUE VOUS RACCORDEZ AU RÉGULATEUR DOIT ÊTRE ÉQUIPÉE D'UN RACCORD DE TYPE 1 COMPATIBLE DANS LA VALVE DE LA BOUTEILLE. Ce raccord de Type 1 vous permet de réaliser une fixation rapide et sûre entre votre grill à gaz Weber® et la bouteille de PL.

REMARQUE : Le gaz ne s'écoulera pas de la bouteille tant que le couplage de Type 1 ne sera pas complètement engagé.

- Le régulateur de pression fourni avec le grill à gaz Weber® doit être utilisé. Ce régulateur est paramétré pour 11 pouces de pression de colonne d'eau.
- Les assemblages régulateur de pression et tuyau de recharge doivent être ceux spécifiés par Weber-Stephen Products LLC.
- Assurez-vous que le régulateur est monté avec le petit trou d'aération orienté vers le bas de sorte qu'il n'accumule pas d'eau. Cette aération ne devrait pas comporter de saleté, de graisse, d'insectes, etc.
- Les raccords de gaz fournis avec votre appareil à gaz Weber® ont été conçus et testés pour être conformes à 100% par rapport aux exigences du CSA et de l'ANSI.

⚠ MISE EN GARDE : Les bouteilles de PL de recharge doivent s'adapter au raccord du régulateur fourni avec cet appareil à gaz Weber®.

COUPLAGE DE CONNEXION DE TYPE 1



1	Valve de Type 1	4	Écrou thermosensible
2	Molette manuelle	5	Régulateur de propane
3	Filetage externe		

ALIMENTER VOTRE GRILL

Avant d'utiliser votre grill pour la première fois, vous devez vous procurer une bouteille de PL. Les bouteilles neuves s'achètent pleines ; les bouteilles vides peuvent être rechargées ou échangées. Vous pouvez choisir d'acheter une bouteille de PL de rechange afin de ne pas manquer de combustible au milieu de la cuisson d'un repas.

⚠ MISE EN GARDE : Ne stockez jamais une bouteille de PL supplémentaire (de rechange) sous ou à proximité du grill à gaz Weber®.

INSTALLATION DE LA BOUTEILLE DE PL

Les bouteilles de PL peuvent varier en fonction de la forme de l'assemblage du collier supérieur (la bague métallique de protection autour de la valve de la bouteille de gaz). Sa forme détermine comment une bouteille de gaz va être suspendue sur l'échelle de la bouteille de gaz. Un type de bouteille de gaz se monte avec la valve orientée vers l'avant (1). L'autre type se monte avec la valve éloignée de l'échelle de la bouteille de gaz (2). Pour installer correctement votre bouteille de PL, identifiez d'abord quel type de bouteille de PL vous avez acheté. Weber recommande des bouteilles de PL avec une capacité de 47.6 lb d'eau. D'autres bouteilles de gaz peuvent être acceptables pour une utilisation à condition qu'elles soient compatibles avec le moyen de rétention de la bouteille de gaz (échelle de la bouteille de gaz).

La bouteille de PL est installée à l'intérieur du meuble de base, sur l'échelle de la bouteille de gaz (du côté droit).

Préparez le grill pour l'installation de la bouteille de gaz

- A) Vérifiez que tous les boutons de commande des brûleurs sont en position d'arrêt (O). Votre grill a été expédié avec des boutons de commande en position d'arrêt (O), mais vous devriez vérifier pour vous assurer qu'ils sont fermés. Vérifiez en enfonçant puis en tournant les boutons dans le sens des aiguilles d'une montre. S'ils ne tournent pas, ils sont fermés. S'ils tournent, continuez à les fermer dans le sens des aiguilles d'une montre jusqu'à ce qu'ils s'arrêtent. Si votre grill est pourvu d'un brûleur latéral, assurez-vous que le bouton de commande du brûleur latéral est fermé.
- B) Ouvrez la porte du meuble de base.

Installez la bouteille de PL

- A) Desserrez l'écrou à ailettes qui verrouille la bouteille. Faites passer le verrou de la bouteille vers le haut (3).
- B) Tournez la bouteille de PL de sorte que l'ouverture de la valve se trouve à l'avant ou sur le côté du grill à gaz Weber®.

⚠ MISE EN GARDE : Assurez-vous que la valve de la bouteille de PL est fermée. Fermez-la en tournant la valve dans le sens des aiguilles d'une montre.

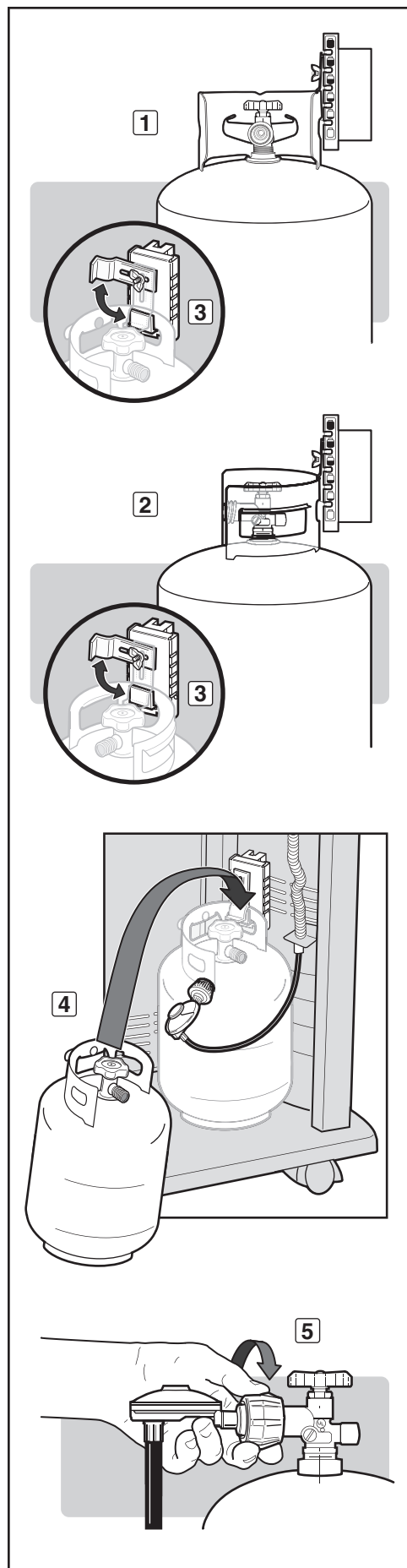
- C) Soulevez la bouteille de gaz pour la mettre en position sur l'échelle de la bouteille de gaz (4).
- D) Faites basculer le verrou de la bouteille de gaz vers le bas. Serrez l'écrou à ailettes.

Raccordez le régulateur/tuyau à la bouteille de gaz

- A) Retirez le cache anti-poussière en plastique de la valve de la bouteille de gaz.
- B) Vissez le couplage du régulateur sur la valve de la bouteille de gaz, en tournant dans le sens des aiguilles d'une montre, ou vers la droite (5). Serrez à la main uniquement.

REMARQUE : Ce raccord se serre dans le sens des aiguilles d'une montre et il ne laissera pas le gaz circuler si le raccord n'est pas hermétique.

⚠ MISE EN GARDE : N'utilisez pas de clé pour serrer le raccord. L'utilisation d'une clé risquerait de détériorer le couplage du régulateur et pourrait provoquer une fuite.



INSTALLATION ET RETRAIT DE LA BOUTEILLE DE PL

NIVEAU DE COMBUSTIBLE

L'échelle graduée de la bouteille de gaz, une fonction de certains de nos grills, indiquera le niveau de l'arrivée de gaz afin que vous puissiez recharger la bouteille avant d'être à court de combustible. Vérifiez le niveau de combustible en regardant la ligne orange d'indication du niveau, située sur le côté de l'échelle de la bouteille de gaz. Lorsque la ligne indicatrice est en bas, la bouteille de gaz est vide (1). Lorsqu'elle est au milieu, la bouteille de gaz est à moitié pleine (2). Lorsqu'elle est en haut, la bouteille de gaz est pleine (3).

RETIRER LA BOUTEILLE DE PROPANE LIQUIDE POUR LA RECHARGER OU LA REMPLACER

Une bouteille de PL pleine dure environ 18–20 heures de temps de cuisson avec une utilisation normale. Vous n'avez pas besoin d'être à cours de combustible pour recharger la bouteille de gaz. En fait, nous vous recommandons de recharger la bouteille de PL avant qu'elle soit complètement vide.

Retrait de la bouteille de PL

- Fermez la valve de la bouteille de gaz (tournez dans le sens des aiguilles d'une montre) (4).
- Dévissez le couplage du régulateur en tournant dans le sens inverse des aiguilles d'une montre, à la main uniquement (5).
- Desserrez l'écrou à ailettes qui verrouille la bouteille de gaz puis tournez le verrou de la bouteille de gaz vers le haut pour l'éloigner (6).
- Soulevez la bouteille de gaz pour la retirer de l'échelle.

REPLIR LA BOUTEILLE DE GAZ PL

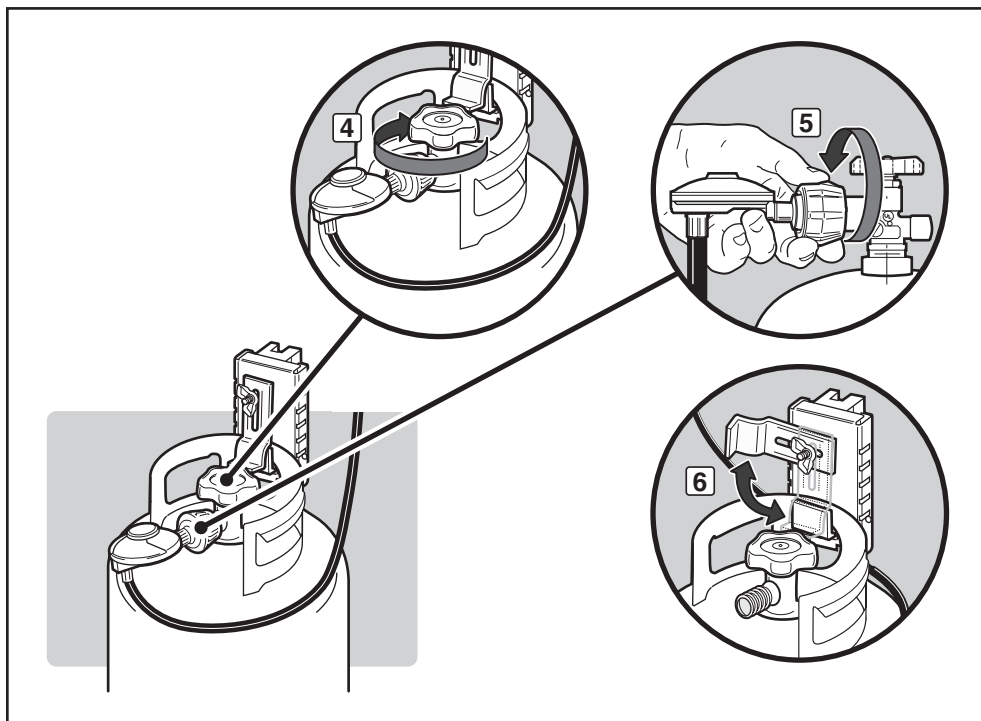
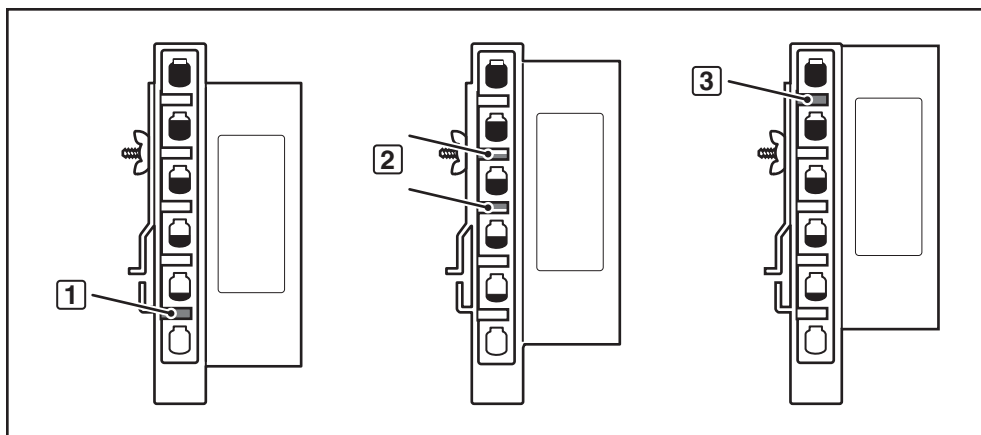
Le remplissage correct de votre bouteille de gaz s'effectue au poids ou au volume, tel que décrit dans la norme NFPA 58. Veuillez vous assurer que votre station de remplissage utilise l'une de ces deux méthodes, et demandez à votre station de remplissage de lire les instructions pour la purge et le remplissage de la bouteille de PL avant de tenter de la remplir.

⚠ DANGER

Ne stockez JAMAIS une bouteille de PL sous ou à proximité d'appareils à gaz Weber®. Ne remplissez JAMAIS la bouteille à plus de 80%. Le non respect de ces consignes exactement risque d'entraîner un incendie susceptible de provoquer un décès ou des blessures graves.

⚠ MISE EN GARDE : Nous recommandons que nos bouteilles de PL soit remplies chez un revendeur de gaz PL agréé, par un agent qualifié, qui remplit la bouteille de gaz au poids. UN REMPLISSAGE INCORRECT EST DANGEREUX.

REMARQUE : Soyez certains que la bouteille de gaz a été purgée de l'air emprisonné avant le premier remplissage. Votre revendeur de PL est équipé pour le faire.



QU'EST-CE QU'UNE DÉTECTION DES FUITES ?

Le système d'alimentation de votre grill est composé de nombreuses connexions et de nombreux raccords. Une détection des fuites est une méthode fiable pour vous assurer qu'il n'y a pas de gaz qui s'échappe de l'une des connexions ou de l'un des raccords.

Bien que tous les raccords réalisés en usine aient fait l'objet d'une détection approfondie des fuites de gaz, il est important d'effectuer une détection des fuites de gaz avant d'utiliser votre grill pour la première fois, ainsi qu'à chaque fois que vous débranchez puis rebranchez un raccord et à chaque fois que vous effectuez une maintenance de routine.

La sécurité doit être prise en compte lorsque vous décidez où placer et utiliser votre grill. Assurez-vous de lire les mises en garde suivantes avant d'installer ou d'utiliser votre grill.

MISES EN GARDE :

- ⚠ Utilisez ce grill uniquement en extérieur dans une zone bien ventilée. Ne l'utilisez pas dans un garage, dans un bâtiment, dans un passage couvert ou dans toute autre zone confinée.
- ⚠ Votre grill à gaz Weber® ne doit pas être utilisé sous une structure suspendue inflammable.
- ⚠ Votre grill à gaz Weber® n'est pas conçu pour être installé dans ou sur des véhicules de loisirs et/ou dans des bateaux.
- ⚠ N'utilisez pas le grill dans un rayon de 24 pouces par rapport à tout matériau inflammable. Ceci inclut le haut, le bas, l'arrière ou les côtés du grill.
- ⚠ Maintenez la zone de cuisson dégagée de toute vapeur inflammable et de tout liquide tel que de l'essence, de l'alcool, etc., et tout matériau inflammable.
- ⚠ Maintenez les ouvertures de ventilation du coffrage de la bouteille de gaz dégagées et dépourvues de tout débris.
- ⚠ La totalité du boîtier de cuisson atteint une température élevée pendant l'utilisation. Ne pas toucher.
- ⚠ Ne déplacez pas le barbecue à gaz Weber® en cours d'utilisation ou lorsque celui-ci est très chaud.

DÉMONTAGE PARTIEL DE VOTRE GRILL POUR UNE DÉTECTION DES FUITES

Afin d'effectuer une détection des fuites, vous devez avoir accès aux valves de gaz, ce qui va nécessiter un démontage simple du grill.

Confirmez que le grill est éteint

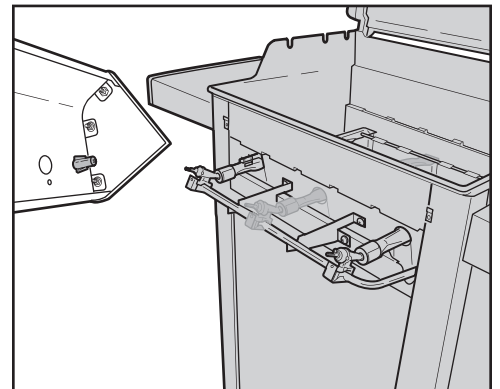
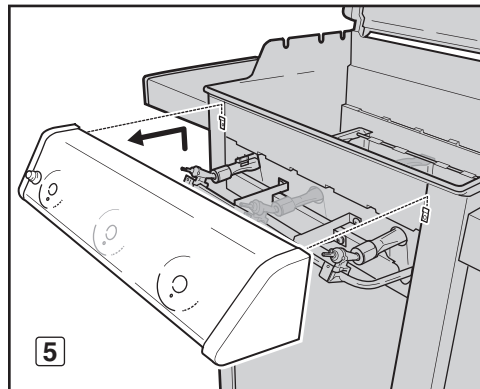
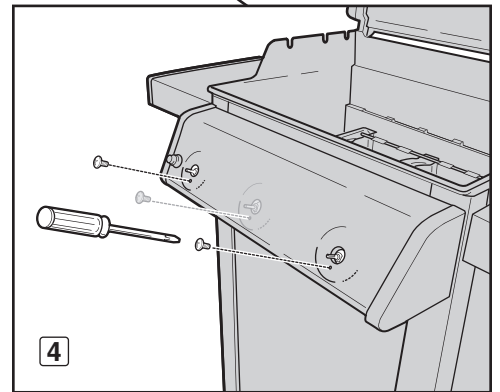
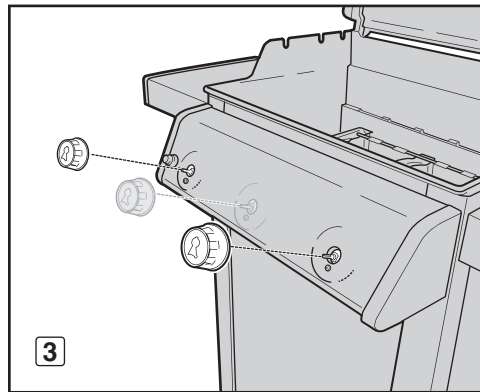
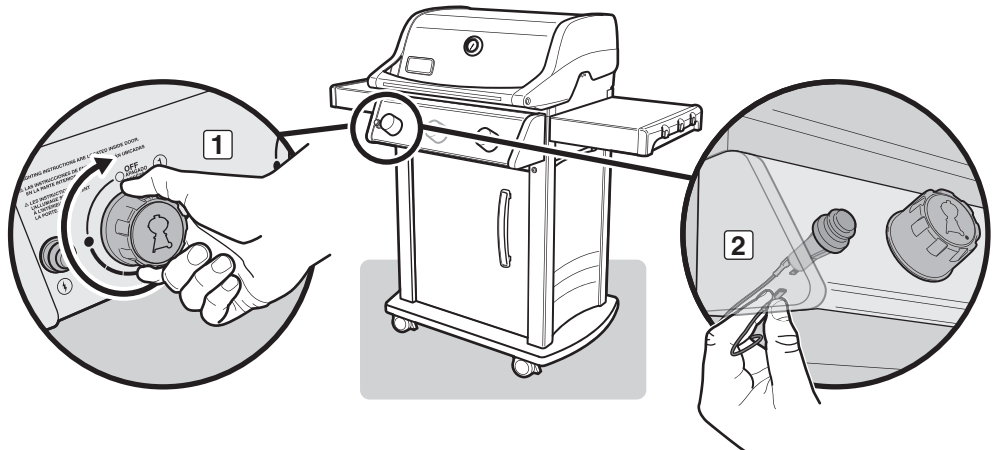
- A) Fermez l'arrivée de gaz à la source.
- B) Vérifiez que TOUS les boutons de commande du brûleur sont positionnés à l'arrêt (O) (1). Les boutons de commande sont expédiés en position d'arrêt (O), mais vous devriez vérifier pour vous assurer qu'ils sont éteints. Vérifiez en enfonçant les boutons de commande et en les tournant dans le sens des aiguilles d'une montre. S'ils ne tournent pas, ils sont fermés. S'ils tournent, continuez à les tourner dans le sens des aiguilles d'une montre jusqu'à ce qu'ils s'arrêtent ; ensuite, ils sont à l'arrêt. Si votre grill est pourvu d'un brûleur latéral, assurez-vous que le bouton de commande du brûleur latéral est en position d'arrêt.

Retirez le panneau de commande

Il vous faudra : Un tournevis cruciforme.

- A) Débranchez les deux câbles du bouton d'allumage situé sur le dessous du panneau de commande (2).
REMARQUE : Tirez depuis les bornes aux extrémités des câbles.
- B) Retirez les boutons de commande (3).
- C) Retirez les vis de l'avant du panneau de commande à l'aide d'un tournevis à tête cruciforme (4).
- D) Soulevez avec soin le panneau de commande puis tirez vers l'avant et vers l'extérieur par rapport au châssis (5).

Votre grill est désormais prêt pour une détection des fuites. Passez à la DÉTECTION DES FUITES DE GAZ.



SE PRÉPARER À UTILISER LE GRILL

⚠ DANGER

N'utilisez pas une flamme nue pour détecter les fuites. Assurez-vous qu'il n'y a pas d'étincelle ni de flamme nue dans la zone lorsque vous détectez les fuites. Des étincelles ou des flammes nues provoqueraient un incendie ou une explosion, susceptible de provoquer des blessures graves voire un décès ainsi que des dégâts matériels.

⚠ **MISE EN GARDE** : Les raccords de gaz de votre grill à gaz ont été testés en usine. Nous vous recommandons néanmoins d'effectuer une détection des fuites sur tous les raccords de gaz avant d'utiliser votre grill à gaz.

⚠ **MISE EN GARDE** : Effectuez ces détections des fuites même si votre grill a été assemblé par un revendeur ou s'il a été assemblé en boutique.

⚠ **MISE EN GARDE** : Vous devriez détecter les fuites de gaz à chaque fois que vous débranchez puis rebranchez un raccord de gaz.

REMARQUE : Tous les raccords réalisés en usine ont fait l'objet d'une détection approfondie des fuites de gaz et les brûleurs ont été testés à la flamme. Par mesure de sécurité, néanmoins, vous devriez détecter les fuites sur tous les raccords de gaz avant d'utiliser votre grill à gaz Weber®. L'expédition et la manipulation peuvent desserrer ou détériorer un raccord de gaz.

DÉTECTION DES FUITES DE GAZ

Il vous faudra : Une bouteille d'aérosol ou une brosse ou un chiffon ainsi qu'une solution d'eau savonneuse. (Vous pouvez préparer votre propre solution d'eau savonneuse en mélangeant 20% de savon liquide avec 80% d'eau ; ou, vous pouvez acheter une solution de détection des fuites au rayon plomberie de n'importe quel magasin de bricolage.)

A) Ouvrez l'arrivée de gaz à la source (1).

⚠ **MISE EN GARDE** : N'allumez pas les brûleurs lorsque vous détectez les fuites.

B) Pour détecter les fuites, humidifiez les raccords à l'aide de la solution d'eau savonneuse, en utilisant une bouteille d'aérosol, une brosse ou un chiffon. Si des bulles se forment, ou si une bulle grossit, il y a une fuite. Appliquez la solution d'eau savonneuse aux raccords suivants :

- Raccord tuyau du régulateur-vers-cloison (2).
- Raccord tuyau ondulé du collecteur-vers-cloison (3).
- Raccord tuyau ondulé du collecteur-vers-collecteur (4).
- Raccord tuyau du brûleur latéral-vers-collecteur (5).
- Raccord tuyau du brûleur latéral-vers-valve (6).

⚠ **MISE EN GARDE** : En cas de fuite au niveau des raccords (2, 3, 4, 5 ou 6), fermez le gaz, serrez le raccord à l'aide d'une clé, puis détectez à nouveau les fuites à l'aide d'une solution d'eau savonneuse. Si une fuite persiste une fois que vous avez serré le raccord, fermez le gaz. **N'UTILISEZ PAS LE GRILL.** Contactez le représentant du Service clientèle de votre région à l'aide des coordonnées à votre disposition sur notre site Internet. Connectez-vous sur www.weber.com®.

- Raccord régulateur-vers-bouteille de gaz (7).
- Raccord tuyau du régulateur-vers-régulateur (8).
- Raccords valves-vers-collecteur (9).

⚠ **MISE EN GARDE** : S'il y a une fuite au niveau des raccords (7, 8, ou 9), fermez le gaz. **N'UTILISEZ PAS LE GRILL.** Contactez le représentant du Service clientèle de votre région à l'aide des coordonnées à votre disposition sur notre site Internet. Connectez-vous sur www.weber.com®.

C) Une fois la détection des fuites terminée, fermez l'arrivée de gaz à la source puis rincez les raccords à l'eau.

REMARQUE : Dans la mesure où certaines solutions de détection des fuites, y compris l'eau savonneuse, peuvent être légèrement corrosives, la totalité des raccords devrait être rincée à l'eau avant de détecter les fuites.

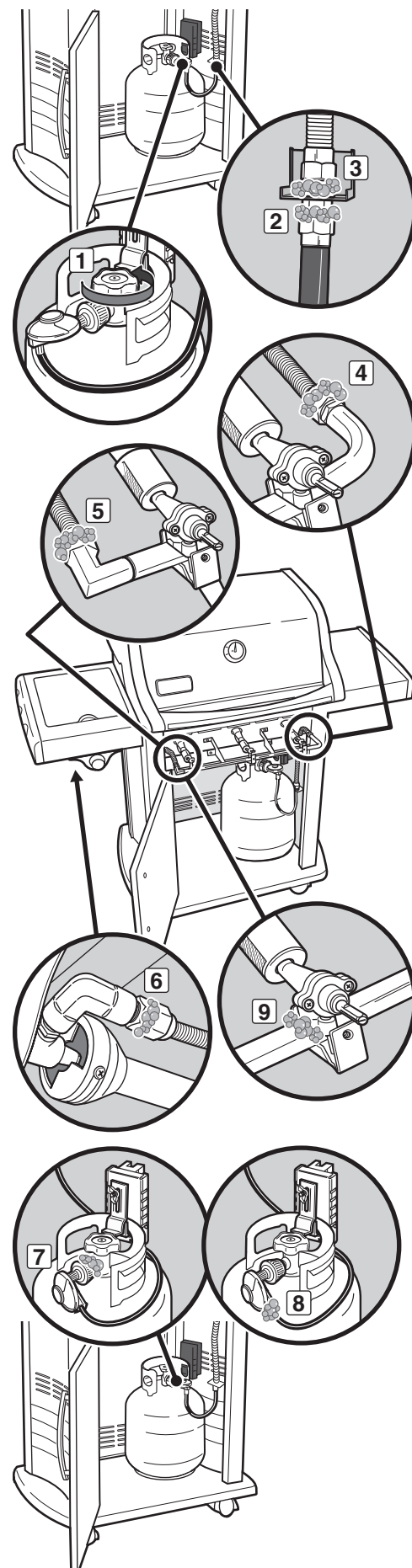
Remettez en place le panneau de commande

Il vous faudra : Un tournevis cruciforme.

- Alignez les tiges des valves avec les trous dans le panneau de commande. Positionnez l'extrémité supérieure du panneau de commande sur les languettes de l'assemblage du châssis. Enfoncez le panneau de commande pour le positionner.
- Fixez le panneau de commande à l'aide des vis.
- Placez les boutons de commande sur les tiges des valves.
- Connectez les fils au bouton de l'allumeur.

⚠ **MISE EN GARDE** : Assurez-vous que toutes les pièces sont assemblées et que la quincaillerie est complètement serrée avant d'utiliser le grill. Vos actions, si vous ne respectez pas la mise en garde concernant ce produit, risquent de provoquer un incendie, une explosion voire une défaillance structurelle avec pour conséquence des blessures graves voire un décès ainsi que des dégâts matériels.

Maintenant vous êtes prêt à utiliser votre grill.



TRUCS & ASTUCES

- Préchauffez toujours le grill avant la cuisson. Réglez tous les brûleurs sur chaleur élevée (high) puis fermez le couvercle ; préchauffez pendant 10 minutes, ou jusqu'à ce que le thermomètre enregistre 500° – 550°F (260° – 290°C).
- La température de votre grill à gaz peut être plus élevée que la normale pendant les premières utilisations.
- Les durées de cuisson au grill des recettes sont basées sur une température extérieure de 70°F (20°C) avec peu voire pas de vent. Accordez davantage de temps de cuisson lorsque les journées sont froides ou ventées, ou à des altitudes plus élevées. Accordez un temps de cuisson plus court lorsque le temps est extrêmement chaud.
- Les conditions de la grillade peuvent nécessiter un ajustement des commandes du brûleur afin d'atteindre les températures de cuisson correctes.
- Saisissez les viandes puis cuisez avec le couvercle fermé pour des aliments parfaitement grillés à chaque fois.
- Le fait de placer trop d'aliments sur une grille de cuisson signifie que davantage de temps sera nécessaire pour cuire ces aliments.
- Retirez l'excès de matière grasse des steaks, des côtes et des rôtis, en ne laissant pas plus de ¼ pouce (6,4 mm) de matière grasse. Moins de matière grasse facilite le nettoyage, et constitue presque une garantie contre les embrasements intempestifs.
- En général, les gros morceaux de viande nécessiteront davantage de temps de cuisson par livre que les petits morceaux de viande.
- Certains aliments, comme les plats mijotés ou les filets de poissons fins, auront besoin d'un récipient pour la cuisson. Les plats en aluminium jetables sont très pratiques, mais n'importe quel plat métallique pourvu de poignées résistantes au four peut également être utilisé.
- Les aliments dans des récipients, comme les haricots à la sauce tomate, auront besoin de plus de temps s'ils sont cuits dans un plat profond que s'ils sont cuits dans un récipient de cuisson peu profond.
- Les aliments placés sur la grille de cuisson directement au-dessus des brûleurs peuvent avoir besoin d'être retournés ou déplacés vers une zone moins chaude.
- Utilisez des pinces plutôt qu'une fourchette pour tourner et manipuler les viandes afin d'éviter de perdre les jus naturels. Utilisez deux spatules pour manipuler les gros poissons entiers.
- Assurez-vous que le plateau de récupération des graisses amovible et l'égouttoir sont propres et ne comportent aucun débris.
- Ne recouvrez pas le plateau de récupération des graisses avec du papier aluminium. Ceci risquerait d'empêcher la graisse de s'écouler vers l'égouttoir.
- En cas d'embrasement intempestif, fermez tous les brûleurs puis déplacez les aliments vers une autre zone de la grille de cuisson. Toute flamme éventuelle va s'éteindre rapidement. Une fois les flammes éteintes, rallumez le grill. **N'UTILISEZ JAMAIS D'EAU POUR ÉTEINDRE DES FLAMMES SUR UN GRILL A GAZ.**
- L'utilisation d'un minuteur contribuera à vous alerter lorsque "bien cuit" est sur le point de devenir "trop cuit."

PRÉCHAUFFAGE

Il est important de préchauffer le grill avant de procéder à la grillade. Pour préchauffer : Allumez votre grill conformément aux instructions contenues dans le Mode d'emploi ; ensuite positionnez tous les brûleurs sur démarrage/élevé (start/high) (†), fermez le couvercle, et préchauffez jusqu'à ce que la température atteigne entre 500° et 550°F (260° et 290°C), la température de cuisson recommandée. Cela prendra 10 à 15 minutes en fonction de conditions telles que la température ambiante et le vent. Une fois le préchauffage terminé, vous pouvez ajuster les brûleurs individuellement à votre convenance.

⚠ MISE EN GARDE : Si les brûleurs s'éteignent pendant que le grill est en fonctionnement, fermez toutes les valves de gaz. Ouvrez le couvercle puis patientez cinq minutes avant de tenter de rallumer le grill, en utilisant les instructions pour l'allumage.

CUISSON COUVERTE

La totalité de la cuisson au grill est effectuée avec le couvercle fermé afin de fournir une chaleur uniforme, qui circule de façon homogène. Avec le couvercle fermé, le grill à gaz cuit d'une manière très semblable à un four à convection. Le thermomètre dans le couvercle indique la température de cuisson à l'intérieur du grill. La totalité du préchauffage et de la cuisson au grill s'effectue avec le couvercle fermé. Ne regardez pas trop — il y a une perte de chaleur à chaque fois que vous soulevez le couvercle.

SYSTEME FLAVORIZER®

Le couvercle fermé et les barres Flavorizer® produisent cette saveur unique de "cuisson en extérieur" dans les aliments. Lorsque les jus de viandes s'écoulent des aliments vers les barres Flavorizer® dont l'angle est particulier, ils créent une fumée qui donne aux aliments une irrésistible saveur de cuisson au barbecue. Grâce à la conception unique des brûleurs, les barres Flavorizer®, et les commandes de température souples, les embrasements intempestifs sont presque éliminés, parce que c'est VOUS qui contrôlez les flammes.

JUS DE VIANDE ET GRAISSE

En raison du design particulier des barres Flavorizer® et des brûleurs, les matières grasses en excès sont orientées vers le plateau de récupération des graisses amovible puis dans l'égouttoir. Des égouttoirs jetables qui s'adaptent dans l'égouttoir sont disponibles.

LA SÉCURITÉ D'ABORD

Il est raisonnable et intelligent de prendre l'habitude d'effectuer quelques contrôles de sécurité avant la grillade.

Lorsque vous vous préparez à faire des grillades, vos premières pensées devraient toujours être pour la sécurité. Vous trouverez ci-dessous quelques vérifications de sécurité que vous devriez effectuer à chaque fois que vous faites des grillades.

PLATEAU DE RÉCUPÉRATION DES GRAISSES AMOVIBLE

Votre grill a été conçu avec un système de récupération des graisses, qui conduit la graisse à l'écart des aliments puis vers des récipients amovibles.

Vérifiez le plateau amovible de récupération des graisses afin de détecter toute accumulation de graisse à chaque fois que vous utilisez votre grill. Retirez l'excès de graisse à l'aide d'une râpe en plastique (1). Lavez le plateau de récupération des graisses à l'aide d'une solution d'eau savonneuse chaude puis rincez à l'eau.

⚠ ATTENTION : Ne couvrez pas le plateau de récupération des graisses amovible avec du papier aluminium.

ÉGOUTTOIR ET ÉGOUTTOIR JETABLE

La graisse en provenance du plateau de récupération des graisses amovible s'écoule vers un égouttoir. Le nettoyage de l'égouttoir est tout aussi important que le nettoyage du plateau amovible de récupération des graisses.

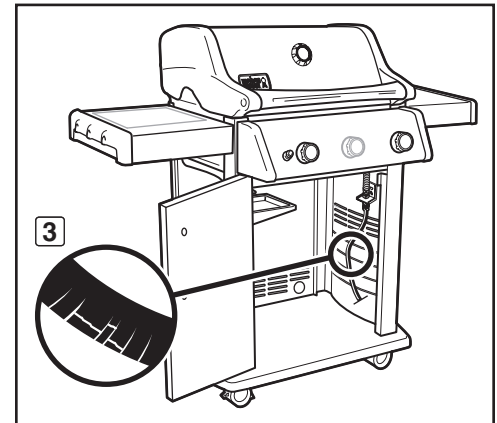
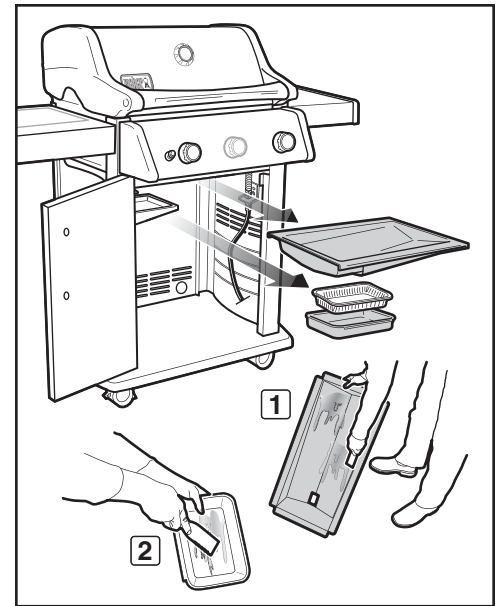
Vérifiez l'égouttoir afin de détecter toute accumulation de graisse à chaque fois que vous utilisez le grill. Retirez tout excès de graisse à l'aide d'une râpe en plastique (2). Lavez l'égouttoir à l'eau savonneuse chaude puis rincez à l'eau. Pour maintenir la propreté de l'égouttoir plus longtemps, vous pouvez couvrir l'égouttoir à l'aide d'un égouttoir jetable Weber® ou avec du papier aluminium.

⚠ MISE EN GARDE : Vérifiez le plateau de récupération des graisses amovible et l'égouttoir afin de détecter toute accumulation de graisse avant chaque utilisation. Retirez tout excès de graisse afin d'éviter un feu de graisse. Un feu de graisse risque de provoquer des blessures graves ainsi que des dégâts matériels.

INSPECTION DU TUYAU

Le tuyau devrait être inspecté régulièrement afin de détecter tout signe de fissure (3).

⚠ MISE EN GARDE : Vérifiez le tuyau avant chaque utilisation du grill afin de détecter les entailles, les fissures, les abrasions ou les coupures. Si le tuyau s'avère détérioré de quelque manière que ce soit, n'utilisez pas le grill. Utilisez uniquement un tuyau homologué par Weber® pour le remplacement. Contactez le représentant du Service clientèle le plus proche à l'aide des coordonnées à votre disposition sur notre site Internet. Connectez-vous sur www.weber.com®.



MÉTHODES POUR L'ALLUMAGE DU BRÛLEUR

Il y a deux manières d'allumer le brûleur 1. La première consiste à utiliser le système d'allumage électronique Crossover® intégré à votre grill. La seconde consiste à l'allumer à l'aide d'une allumette.

Vous trouverez plus tard les étapes pour l'allumage de votre grill à l'aide du système d'allumage électronique Crossover®. Dans les pages qui suivent, vous trouverez les étapes pour l'allumage de votre grill à l'aide d'une allumette.

Vous trouverez des instructions brèves pour l'allumage à l'intérieur de la porte du meuble.

ALLUMAGE DU BRÛLEUR PRINCIPAL

Système d'allumage électronique Crossover®

Le système d'allumage électronique Crossover® allume le brûleur 1 à l'aide d'une étincelle en provenance de l'électrode de l'allumeur à l'intérieur du compartiment d'allumage Gas Catcher™. Vous générez l'énergie nécessaire à l'étincelle en enfonçant le bouton de l'allumeur. Vous entendrez un déclic produit par l'allumeur. Le(s) brûleur(s) 2 (et 3) peut/peuvent être allumé(s) une fois que le brûleur 1 est allumé.

A) Ouvrez le couvercle du grill (1).

⚠ DANGER

Le fait de ne pas ouvrir le couvercle avant d'allumer les brûleurs du grill, ou de ne pas patienter cinq minutes afin de laisser le gaz se dissiper si le grill ne s'allumait pas, risque de provoquer un embrasement explosif susceptible d'entraîner des blessures graves voire un décès.

B) Assurez-vous que TOUS les boutons des brûleurs sont en position d'arrêt (off) (○). Vérifiez en enfonçant les boutons de commande et en les tournant dans le sens des aiguilles d'une montre jusqu'à ce qu'ils s'arrêtent.

⚠ **MISE EN GARDE** : Les boutons de commande du brûleur doivent être positionnés sur arrêt (off) (○) avant que vous ouvriez la valve de la bouteille de PL. S'ils ne sont pas en position d'arrêt (off) (○) lorsque vous ouvrez la valve de la bouteille de PL, la fonction de "contrôle du débit de gaz en excès" va s'activer, limitant ainsi le débit de gaz en provenance de la bouteille de PL. Si cela se produisait, fermez la valve de la bouteille de PL ainsi que les boutons de commande du brûleur. Recommencez.

⚠ DANGER

Lorsque la fonction de "contrôle du débit de gaz en excès" est activée, une petite quantité de gaz s'écoule toujours en direction des brûleurs. Après avoir fermé la valve de la bouteille de PL et les boutons de commande des brûleurs, patientez au moins cinq minutes pour laisser le gaz se dissiper avant de tenter d'allumer le grill. Le non respect de cette consigne risque de provoquer un embrasement explosif susceptible de provoquer des blessures graves voire un décès.

- C) Ouvrez la bouteille de PL en tournant LENTEMENT la valve de la bouteille de gaz dans le sens inverse des aiguilles d'une montre (3).
- D) Enfoncez le bouton de commande du brûleur 1 et tournez-le dans le sens inverse des aiguilles d'une montre vers démarrage/élevé (start/high) (†) (4). **IMPORTANT** : Allumez toujours le brûleur 1 en premier. Le(s) autre(s) brûleur(s) s'allume(nt) à partir du brûleur 1.
- E) Enfoncez et maintenez enfoncé le bouton de l'allumeur (5). Vous entendrez un déclic au niveau de l'allumeur.
- F) Vérifiez que le brûleur 1 est allumé en regardant à travers les grilles de cuisson. Vous devriez voir une flamme.

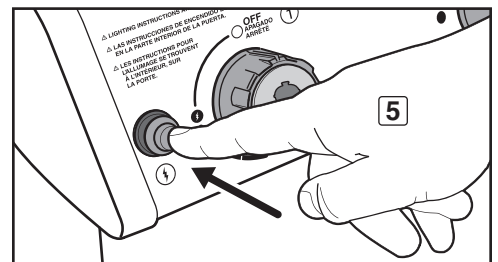
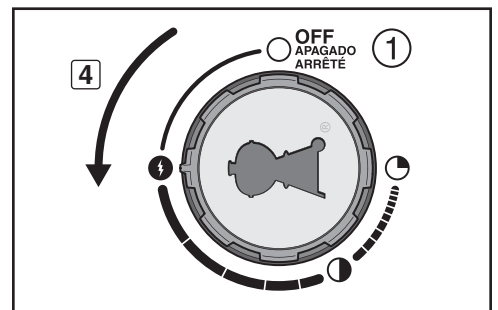
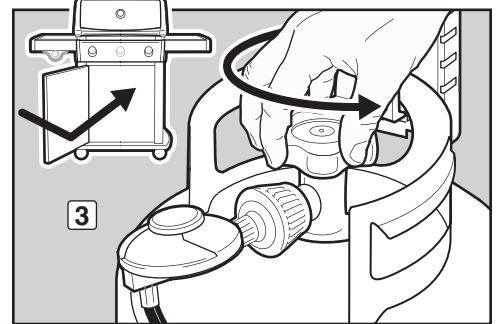
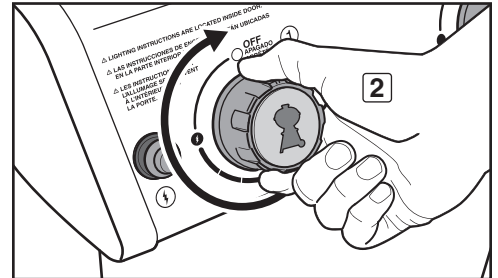
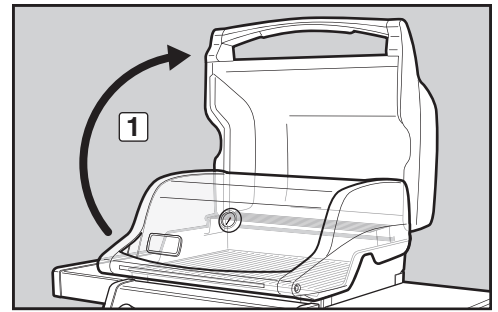
⚠ **MISE EN GARDE** : Ne vous penchez pas au-dessus du grill ouvert.

⚠ **MISE EN GARDE** : Si le brûleur 1 ne s'allume pas dans les cinq secondes, arrêtez, positionnez le bouton de commande vers la position d'arrêt (off) puis patientez cinq minutes pour laisser le gaz se dissiper avant d'essayer à nouveau ou d'allumer à l'aide d'une allumette.

G) Une fois que le brûleur 1 est allumé, vous pouvez allumer le brûleur 2 (et le brûleur 3).

POUR ÉTEINDRE LE BRÛLEUR

Enfoncez chacun des boutons de commande des brûleurs et tournez-les dans le sens des aiguilles d'une montre vers la position d'arrêt (off) (○). Fermez l'arrivée de gaz à la source.



ALLUMAGE & UTILISATION DU BRÛLEUR PRINCIPAL

ALLUMAGE DU BRÛLEUR PRINCIPAL

Allumage à l'aide d'une allumette

A) Ouvrez le couvercle du grill (1).

⚠ DANGER

Le fait de ne pas ouvrir le couvercle avant d'allumer les brûleurs du grill, ou de ne pas patienter cinq minutes pour laisser le gaz se dissiper si le grill ne s'allumait pas, risque de provoquer un embrasement explosif susceptible d'entraîner des blessures graves voire un décès.

B) Assurez-vous que TOUS les boutons de commande des brûleurs sont en position d'arrêt (off) (2). Vérifiez en enfonçant les boutons de commande puis en les tournant dans le sens des aiguilles d'une montre jusqu'à ce qu'ils s'arrêtent.

⚠ MISE EN GARDE : Les boutons de commande du brûleur doivent être en position d'arrêt (off) (○) avant d'ouvrir la valve de la bouteille de PL. Si vous n'êtes pas en position d'arrêt (off) (○) lorsque vous ouvrez la valve de bouteille de PL, la fonction de "contrôle du débit de gaz en excès" s'active, limitant ainsi le débit du gaz en provenance de la bouteille de PL. Si cela se produisait, fermez la valve de la bouteille de PL ainsi que les boutons de commande des brûleurs. Recommencez.

⚠ DANGER

Lorsque la fonction de "contrôle du débit de gaz en excès" est activée, une petite quantité de gaz circule toujours en direction des brûleurs. Après avoir fermé la valve de la bouteille de PL ainsi que les boutons de commande des brûleurs, patientez au moins cinq minutes avant de tenter d'allumer le grill. Le non respect de cette consigne risque de provoquer un embrasement explosif, susceptible de provoquer des blessures graves voire un décès.

C) Ouvrez la bouteille de PL en tournant DOUCEMENT la valve e la bouteille de PL dans le sens inverse des aiguilles d'une montre (3).

D) Placez une allumette dans le porte-allumette puis frottez l'allumette. Insérez le porte-allumette avec l'allumette allumée à travers les grilles de cuisson, au-delà des barres Flavorizer® et à côté du brûleur 1 (4).

E) Enfoncez le bouton de commande du brûleur 1 et tournez-le dans le sens inverse des aiguilles d'une montre vers la position démarrage/élevé (start/high) (⚡) (5). **IMPORTANT : Allumez toujours le brûleur 1 en premier. Le(s) autre(s) brûleur(s) s'allume(nt) à partir du brûleur 1.**

F) Vérifiez que le brûleur 1 est allumé en regardant à travers les grilles de cuisson. Vous devriez voir une flamme.

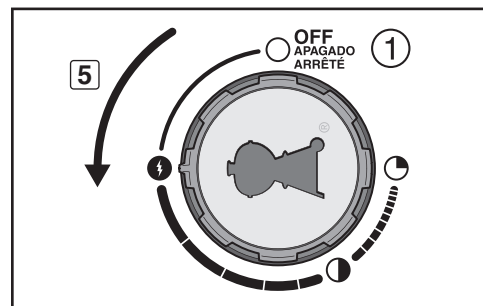
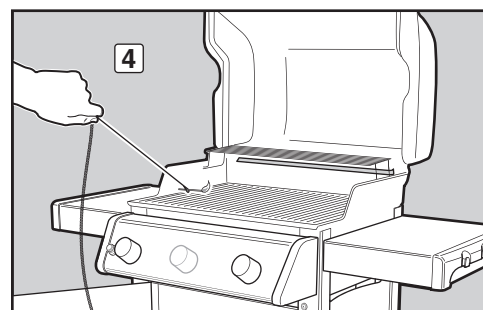
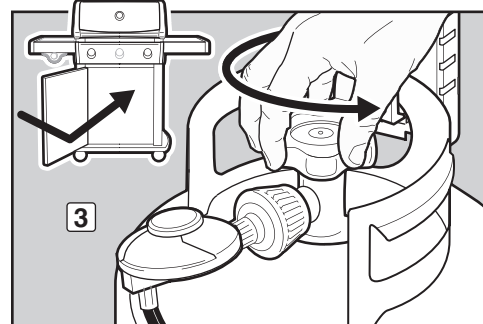
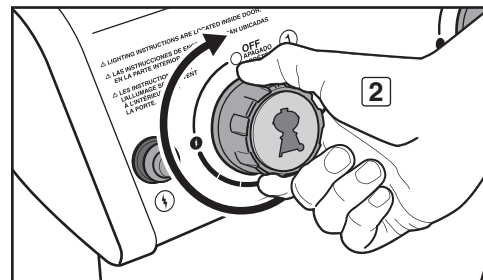
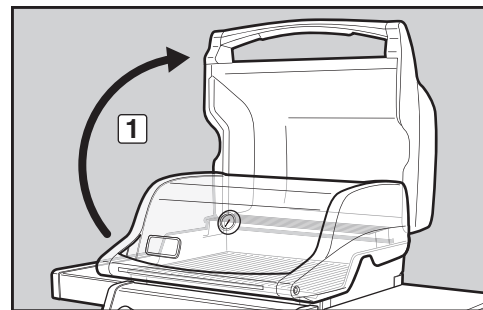
⚠ MISE EN GARDE : Ne vous penchez pas au-dessus du grill ouvert.

⚠ MISE EN GARDE : Si le brûleur 1 ne s'allume pas en cinq secondes, arrêtez, fermez le bouton de commande du brûleur puis patientez cinq minutes pour laisser le gaz se dissiper avant d'essayer à nouveau.

G) Une fois que le brûleur 1 est allumé, vous pouvez allumer le brûleur 2 (et le brûleur 3).

POUR ÉTEINDRE LE BRÛLEUR

Enfoncez chacun des boutons de commandes des brûleurs puis tournez-les dans le sens des aiguilles d'une montre vers la position d'arrêt (off) (○). Fermez l'arrivée de gaz à la source.



Certaines piles sont protégées par un emballage plastique. Ce plastique doit être retiré avant de tenter d'allumer votre grill à l'aide du système d'allumage électronique Crossover®. Ne confondez pas ce plastique avec l'étiquette de la pile.

SUR LE CÔTÉ...

Afin d'optimiser votre espace de cuisson et de vous aider à effectuer plusieurs tâches en même temps, votre grill a été conçu avec un brûleur latéral. Il est facile d'allumer le brûleur latéral. Ce brûleur utilise le même bouton d'allumage que les brûleurs principaux, mais il s'allume de manière indépendante.

Vous trouverez des instructions brèves pour l'allumage à l'intérieur de la porte du meuble.

ALLUMAGE DU BRÛLEUR LATÉRAL

Allumage à l'aide du bouton de l'allumeur

Contrairement aux brûleurs principaux, le brûleur latéral ne s'allume pas à partir du brûleur 1. Vous trouverez ci-dessous les étapes qui s'appliquent pour l'allumage du brûleur latéral à l'aide du bouton de l'allumeur.

A) Ouvrez le couvercle du brûleur latéral (1).

⚠ DANGER

Le fait de ne pas ouvrir le couvercle avant d'allumer le brûleur latéral, ou de ne pas patienter cinq minutes afin de laisser le gaz se dissiper si le brûleur latéral ne s'allumait pas, risque de provoquer un embrasement explosif susceptible d'entraîner des blessures voire un décès.

- B) Vérifiez que la valve du brûleur latéral est fermée en enfonçant le bouton de commande du brûleur latéral et en le tournant dans le sens des aiguilles d'une montre jusqu'à ce qu'il s'arrête (2). Positionnez tous les brûleurs qui ne sont pas utilisés sur arrêt (○) en enfonçant tous les boutons de commande et en les tournant dans le sens des aiguilles d'une montre jusqu'à ce qu'ils s'arrêtent.
- C) Si elle n'est pas déjà ouverte, ouvrez la bouteille de PL en tournant LENTEMENT la valve de la bouteille de gaz dans le sens inverse des aiguilles d'une montre (3).
- D) Enfoncez puis tournez le bouton de commande du brûleur latéral vers la position départ/élevé (start/high) (⚡) (4).
- E) Enfoncez le bouton de l'allumeur puis maintenez-le enfoncé (5). Vous allez entendre un dé clic au niveau de l'allumeur. Vous devriez voir une flamme.

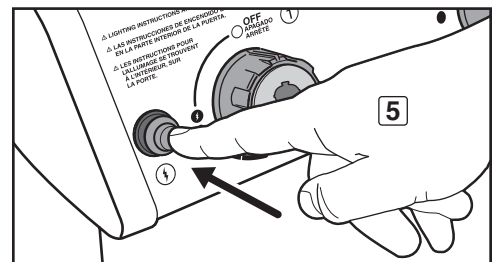
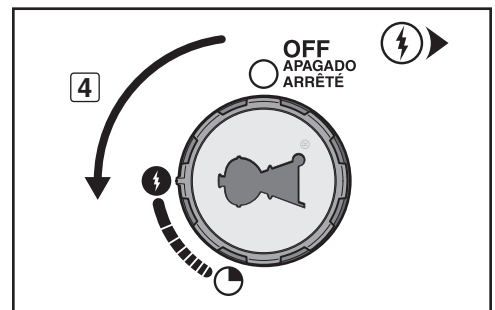
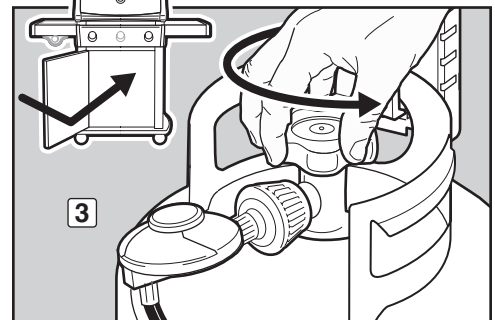
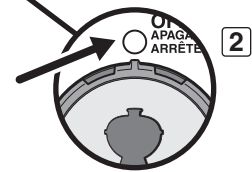
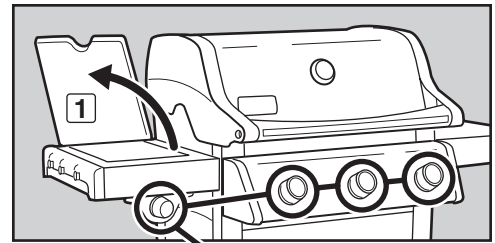
⚠ **ATTENTION : Il peut être difficile de voir la flamme du brûleur latéral par une journée claire et ensoleillée.**

⚠ **MISE EN GARDE : Si le brûleur latéral ne s'allume pas en cinq secondes :**

- Fermez les boutons de commande du brûleur latéral et du brûleur principal ainsi que l'arrivée de gaz à la source.
- Patiencez cinq minutes pour laisser le gaz se dissiper avant d'essayer à nouveau ou d'essayer d'allumer le brûleur à l'aide d'une allumette (voir "Allumage à l'aide d'une allumette").

POUR ÉTEINDRE LE BRÛLEUR LATÉRAL

Enfoncez le bouton de commande du brûleur latéral puis tournez-le dans le sens des aiguilles d'une montre vers la position d'arrêt (○). Assurez-vous que le brûleur latéral est éteint et qu'il a refroidi avant de fermer le couvercle du brûleur latéral.



ALLUMAGE & UTILISATION DU BRÛLEUR LATÉRAL

ALLUMAGE DU BRÛLEUR LATÉRAL

Allumage à l'aide d'une allumette

A) Ouvrez le couvercle du brûleur latéral (1).

⚠ DANGER

Le fait de ne pas ouvrir le couvercle avant d'allumer le brûleur latéral, ou de ne pas patienter cinq minutes pour laisser le gaz se dissiper si le brûleur latéral ne s'allumait pas, risque de provoquer un embrasement explosif susceptible d'entraîner des blessures graves voire un décès.

B) Vérifiez que la valve du brûleur latéral est en position d'arrêt en enfonçant le bouton de commande du brûleur latéral et en le tournant dans le sens des aiguilles d'une montre jusqu'à ce qu'il s'arrête (2).

Tournez tous les brûleurs qui ne sont pas utilisés vers la position d'arrêt (O) en enfonçant tous les boutons de commande et en les tournant dans le sens des aiguilles d'une montre jusqu'à ce qu'ils s'arrêtent.

C) Si elle n'est pas déjà ouverte, ouvrez la bouteille de PL en tournant DOUCEMENT la valve de la bouteille de PL dans le sens inverse des aiguilles d'une montre (3).

D) Placez une allumette dans le porte-allumette puis frottez l'allumette. Placez le porte-allumette avec l'allumette allumée près du brûleur latéral (4).

E) Enfoncez et tournez le bouton de commande du brûleur latéral dans le sens inverse des aiguilles d'une montre vers la position démarrage/élevé (start/high) (†) (5). Vous devriez voir une flamme.

⚠ ATTENTION : Il est possible que la flamme du brûleur latéral soit difficile à voir par une journée claire et ensoleillée.

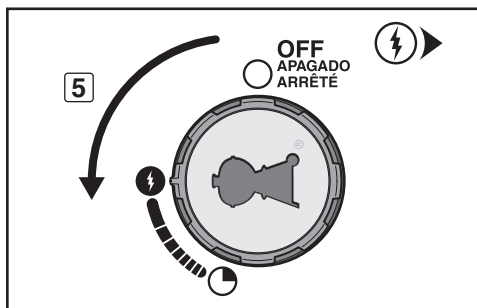
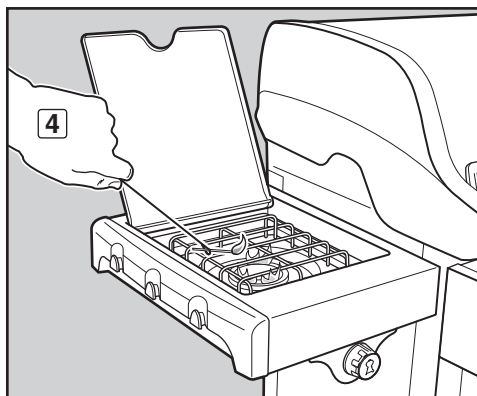
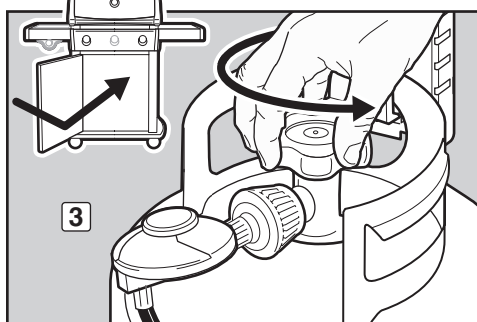
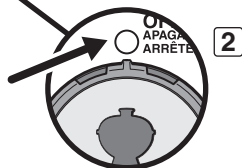
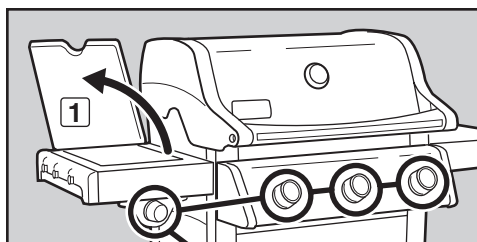
⚠ MISE EN GARDE : Si le brûleur latéral ne s'allume pas en cinq secondes :

a) Fermez les boutons de commandes du brûleur latéral et du brûleur principal ainsi que l'arrivée de gaz à la source.

b) Patientez cinq minutes pour laisser le gaz se dissiper avant d'essayer à nouveau.

POUR ÉTEINDRE LE BRÛLEUR LATÉRAL

Enfoncez le bouton de commande du brûleur latéral puis tournez-le dans le sens des aiguilles d'une montre vers la position d'arrêt (off) (O). Assurez-vous que le brûleur latéral est en position d'arrêt et qu'il a refroidi avant de fermer le couvercle du brûleur latéral.



DÉPANNAGE

DÉPANNAGE GÉNÉRAL

PROBLÈMES	SOLUTIONS
Le brûleur ne s'allume pas lorsque vous enfoncez le bouton de l'allumeur.	Assurez-vous que du gaz circule en direction des brûleurs en tentant des les allumer à l'aide d'une allumette. Voir "ALLUMAGE DU BRÛLEUR PRINCIPAL—Allumage à l'aide d'une allumette". Si l'allumage à l'aide d'une allumette réussit, le problème provient du système d'allumage. Voir "MAINTENANCE DU SYSTÈME D'ALLUMAGE ÉLECTRONIQUE CROSSOVER®". Assurez-vous que les fils sont correctement insérés dans les bornes sur le module de l'allumeur. Vérifiez que les câbles sont connectés aux bornes sur le bouton de l'allumeur dans le panneau de commande. Voir le "GUIDE DE CÂBLAGE DU MODULE DE L'ALLUMEUR." Si une pile neuve a été mise en place, confirmez que l'entourage en plastique de la pile a été retiré. Vérifiez que la pile est en bon état et qu'elle a été installée correctement. Voir "MAINTENANCE DU SYSTÈME D'ALLUMAGE ÉLECTRONIQUE CROSSOVER®".
Les brûleurs ne s'allument pas. Les brûleurs ont une petite flamme vacillante lorsque les boutons de commande des brûleurs sont en position élevée (†). La température du grill n'atteint que 250° à 300° F en position élevée (†).	Le dispositif de sécurité permettant le contrôle du débit de gaz en excès, qui fait partie du raccord entre le grill et la bouteille de gaz, a peut-être été activé. Pour réinitialiser le dispositif de sécurité contrôlant le débit en excès, voir "ALLUMAGE DU BRÛLEUR PRINCIPAL." ⚠ DANGER : Lorsque la fonction de "contrôle du débit de gaz en excès" est activée, une petite quantité de gaz circule toujours en direction des brûleurs. Après avoir fermé la valve de la bouteille de PL et les boutons de commande des brûleurs, patientez au moins cinq minutes pour laisser le gaz se dissiper avant de tenter d'allumer le grill. Le non respect de cette consigne risque de provoquer un embrasement explosif, susceptible d'entraîner des blessures graves voire un décès.
Le brûleur ne s'allume pas, ou la flamme est basse en position élevée (†).	La bouteille de PL pourrait avoir un niveau faible ou être vide. Rechargez la bouteille de PL. Le tuyau de combustible pourrait être plié ou pincé. Redressez le tuyau de combustible.
La forme de la flamme du brûleur est irrégulière. La flamme est basse lorsque le brûleur est en position élevée (†). Les flammes ne courent pas sur toute la longueur du tube du brûleur.	Nettoyez les ports du brûleur qui se trouvent tout le long du tube du brûleur. Voir "MAINTENANCE ANNUELLE."
Les brûleurs brûlent avec une flamme jaune ou orange, en association avec une odeur de gaz.	Inspectez les grilles anti-araignées/insectes afin de détecter des obstructions potentielles. (Blocage de trous.) Nettoyez les grilles anti-araignées/insectes. Voir "MAINTENANCE ANNUELLE."
Des embrasements se produisent. ⚠ ATTENTION : Ne couvrez pas le plateau amovible de récupération des graisses de papier aluminium.	Le grill doit être préchauffé avec tous les brûleurs en position élevée pendant 10 à 15 minutes. Nettoyez de façon approfondie les grilles de cuisson et les barres Flavorizer® afin d'éliminer la graisse. Voir "NETTOYAGE DE L'INTÉRIEUR DU GRILL." Peut-être que le plateau de récupération des graisses amovible est sale et qu'il ne laisse pas la graisse s'écouler vers l'égouttoir. Nettoyez le plateau de récupération des graisses amovible.
L'intérieur du couvercle semble "s'écailler." (Ressemble à de la peinture écaillée.)	L'intérieur du couvercle est en porcelaine émaillée ou en acier inoxydable. Il n'est pas peint. Il ne peut pas "s'écailler." Ce que vous voyez, c'est une accumulation de graisse carbonisée et qui se détache en formant des flocons. CE N'EST PAS UN DÉFAUT. Nettoyez de façon approfondie. Voir "NETTOYAGE DE L'INTÉRIEUR DU GRILL."

Si les problèmes ne peuvent pas être corrigés en utilisant ces méthodes, veuillez contacter le représentant du Service clientèle le plus proche à l'aide des coordonnées à votre disposition sur notre site Internet. Connectez-vous sur www.weber.com®.

DÉPANNAGE DU BRÛLEUR LATÉRAL

PROBLÈMES	SOLUTIONS
Le brûleur latéral ne s'allume pas lorsque vous enfoncez le bouton de l'allumeur.	Assurez-vous de la présence d'un débit de gaz en direction du brûleur en tenant d'allumer votre brûleur latéral à l'aide d'une allumette. Voir "ALLUMAGE DU BRÛLEUR LATÉRAL — Allumage à l'aide d'une allumette". Si l'allumage à l'aide d'une allumette réussit, le problème provient du système d'allumage. Voir "MAINTENANCE DU SYSTÈME D'ALLUMAGE ÉLECTRONIQUE CROSSOVER®". Assurez-vous que les fils sont correctement insérés dans les bornes du module de l'allumeur. Vérifiez que les fils sont raccordés aux bornes sur le bouton de l'allumeur sous le panneau de commande. Voir "GUIDE POUR LE CÂBLAGE DU MODULE DE L'ALLUMEUR." Si une nouvelle pile a été installée, confirmez que l'entourage en plastique de la pile a été retiré. Vérifiez que la pile est en bon état et qu'elle a été installée correctement. Voir "MAINTENANCE DU SYSTÈME D'ALLUMAGE ÉLECTRONIQUE CROSSOVER®".
Le brûleur latéral ne s'allume pas.	Assurez-vous que l'arrivée de gaz est ouverte. Le dispositif de sécurité contrôlant les excès de débit, qui fait partie du raccord entre le grill et la bouteille de gaz, a peut-être été activé. Pour réinitialiser le dispositif de sécurité contrôlant les excès de débit, voir "ALLUMAGE DU BRÛLEUR PRINCIPAL." ⚠ DANGER : Lorsque la fonction de "contrôle du débit de gaz en excès" est activée, une petite quantité de gaz s'écoule toujours en direction des brûleurs. Après avoir fermé la valve de la bouteille de PL et les boutons de commande du brûleur, patientez au moins cinq minutes pour laisser le gaz se dissiper avant de tenter d'allumer le grill. Le non respect de cette consigne risque de provoquer un embrasement explosif susceptible d'entraîner des blessures graves voire un décès.
Le brûleur latéral ne s'allume pas, ou la flamme est basse lorsque le brûleur est positionné sur élevé (high) (†).	La bouteille de PL pourrait avoir un niveau faible ou être vide. Remplissez la bouteille de PL. Le tuyau de combustible pourrait être plié ou pincé. Redressez le tuyau à combustible.

Si les problèmes ne peuvent pas être corrigés en utilisant ces méthodes, veuillez contacter le représentant du Service clientèle le plus proche à l'aide des coordonnées à votre disposition sur notre site Internet. Connectez-vous sur www.weber.com®.

CONSERVER VOTRE GRILL À GAZ WEBER® EN PARFAIT ÉTAT

⚠ DANGER

Le fait de ne pas corriger un ou des problèmes décrit(s) sur cette page risque de provoquer un incendie, susceptible d'entraîner des blessures graves voire un décès ainsi que des dégâts matériels.

Pour maintenir votre grill à gaz Weber® dans un état de fonctionnement aussi sûr et efficace qu'au premier jour, nous vous recommandons fortement d'inspecter et de nettoyer les grilles anti-araignées/insectes et les tubes de brûleur au moins une fois par an. Vous trouverez ci-dessous des informations importantes sur ces deux zones du grill qui devraient faire l'objet d'une maintenance annuelle.

Si vous observez un aspect de flamme incorrect ou des ports de brûleurs obstrués, suivez les consignes "NETTOYAGE OU REMPLACEMENT DU TUBE DU BRÛLEUR" des pages suivantes.

ASPECT DE LA FLAMME DU BRÛLEUR

Les tubes du brûleur de votre grill à gaz Weber® ont été définis en usine pour laisser passer le mélange correct d'air et de gaz. L'aspect correct de la flamme est présenté dans l'illustration et décrit ci-dessous :

- Tube du brûleur (1)
- Les extrémités vacillent en jaune de temps en temps (2)
- Bleu clair (3)
- Bleu foncé (4)

Vérifiez l'aspect de la flamme du brûleur. Si les flammes ne correspondent pas à la description ci-dessus, cela pourrait être une indication que les grilles anti-araignées/insectes sont sales ou obstruées.

GRILLES ANTI-ARAIGNÉES/INSECTES WEBER®

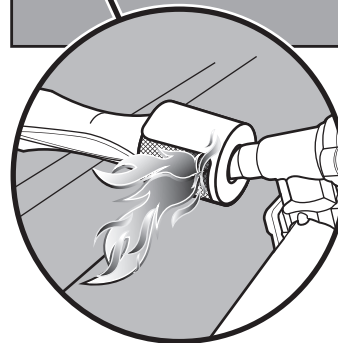
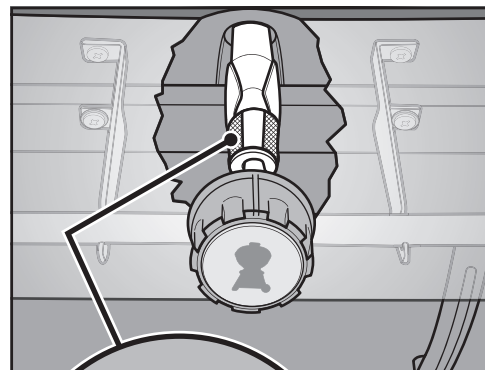
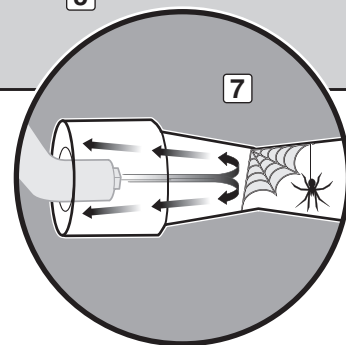
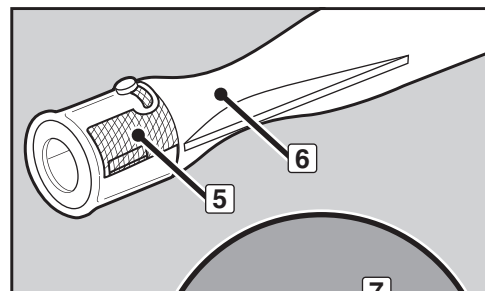
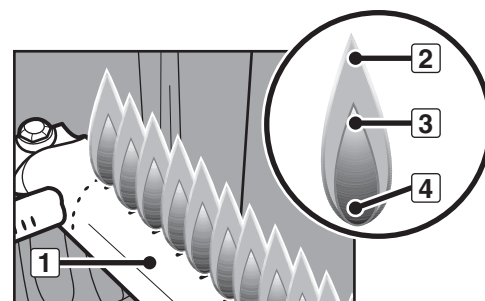
Les ouvertures permettant le passage de l'air nécessaire à la combustion des tubes du brûleur (5) sont équipées de grilles en acier inoxydable pour contribuer à empêcher les araignées et les autres insectes de tisser des toiles et de construire des nids à l'intérieur de la section à venturi (6) des tubes du brûleur. Ces nids peuvent faire obstacle à la circulation normale du gaz, et ils peuvent provoquer un reflux du gaz vers l'extérieur des ouvertures permettant le passage de l'air nécessaire à la combustion (7). Ceci pourrait provoquer un incendie dans et autour des valves du brûleur, sous le panneau de commandes, ce qui entraînerait une détérioration grave de votre grill.

REMARQUE : Si une grille anti-araignées/insectes se détériore ou ne peut pas être nettoyée, veuillez contacter le représentant du Service clientèle le plus proche à l'aide des coordonnées à votre disposition sur notre site Internet. Connectez-vous sur www.weber.com.

PORTS DU TUBE DU BRÛLEUR

Au fil du temps, avec les utilisations répétées du grill, les ports du tube du brûleur vont s'encrasser. Des ports obstrués et sales peuvent restreindre le débit complet du gaz. Vous trouverez ci-dessous des manières de déterminer si les tubes du brûleur sont sales ou obstrués.

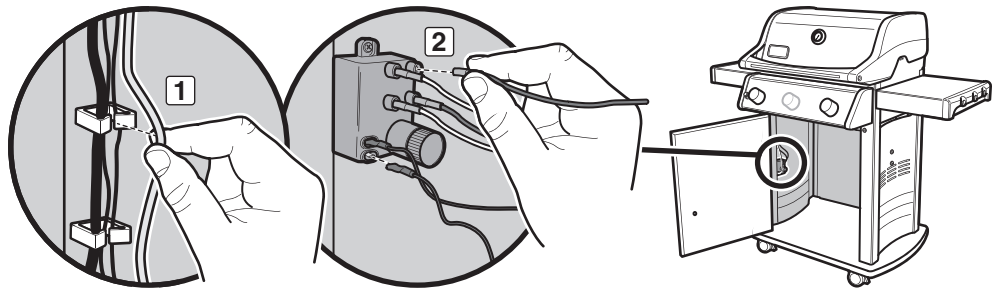
- On sent une odeur de gaz en association avec le fait que les flammes du brûleur semblent jaunes et paresseuses
- Le grill n'atteint pas la température souhaitée
- Le grill chauffe de manière non uniforme
- Un ou plusieurs des brûleurs ne s'allument pas



NETTOYAGE DU TUBE DU BRÛLEUR OU REMPLACEMENT

Confirmez que le grill est éteint

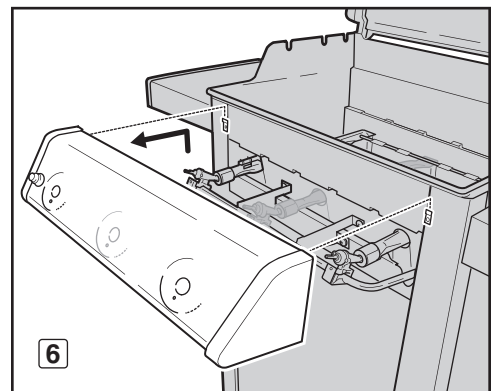
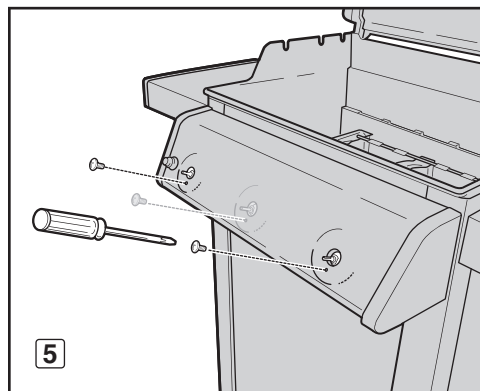
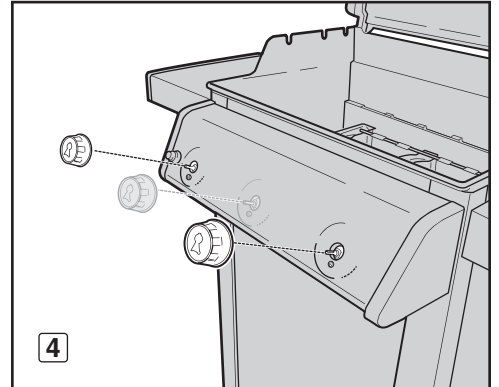
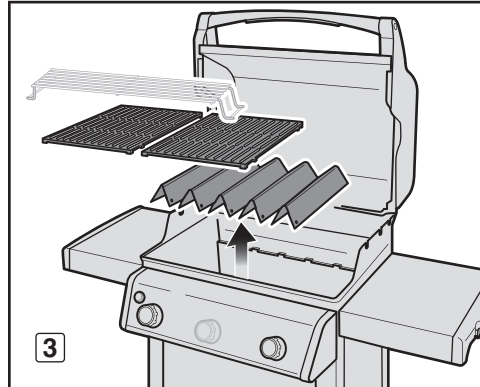
- A) Fermez l'arrivée de gaz à la source et déconnectez le raccord de gaz.
- B) Vérifiez que tous les boutons de commande des brûleurs sont en position d'arrêt (○). Vérifiez en enfonçant les boutons de commande et en les tournant dans le sens des aiguilles d'une montre jusqu'à ce qu'ils s'arrêtent. S'ils ne tournent pas, ils sont déjà en position d'arrêt. S'ils tournent, continuez à les tourner dans le sens des aiguilles d'une montre jusqu'à ce qu'ils s'arrêtent ; alors, ils sont à l'arrêt. Si votre grill est pourvu d'un brûleur latéral, assurez-vous que le bouton de commande du brûleur latéral est en position d'arrêt.



Retirez le panneau de commande

Il vous faudra : un tournevis cruciforme.

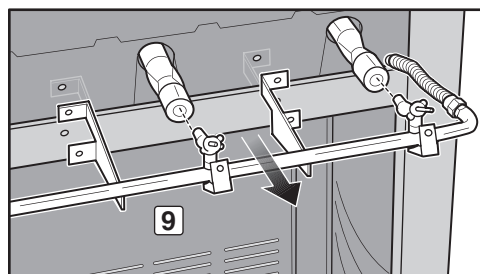
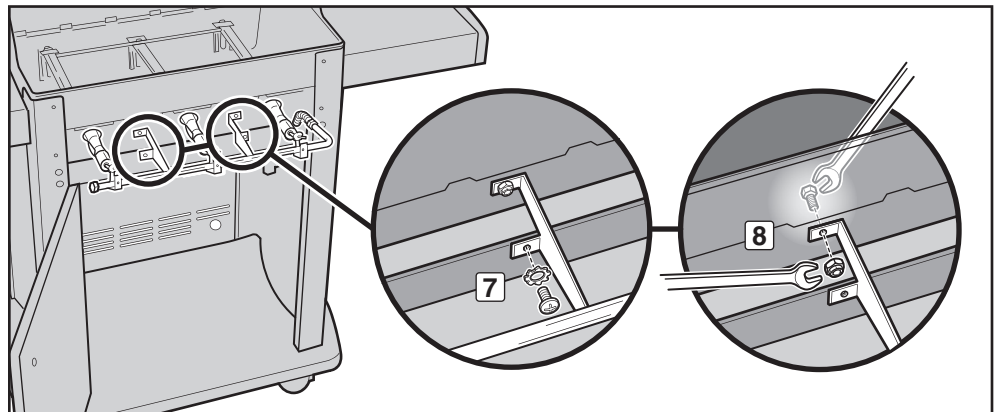
- A) Ouvrez la porte du meuble. Retirez les câbles de l'allumeur des serre-fils à l'intérieur du panneau de gauche (1). Déconnectez les fils du module de l'allumeur à l'intérieur du meuble (2).
- Remarque : Ne débranchez pas les fils en tirant dessus ; tirez à partir des bornes aux extrémités des fils.*
- B) Retirez les composants du boîtier de cuisson (3).
- C) Retirez les boutons de commande (4).
- D) Retirez les vis de l'avant du panneau de commande à l'aide d'un tournevis cruciforme (5).
- E) Soulevez avec soin le panneau de commande puis tirez vers l'avant pour l'écarter du boîtier de cuisson (6).



Retirez le collecteur

Il vous faudra : Un tournevis cruciforme, deux clés de 7/16".

- A) Avec le tournevis cruciforme, retirez les deux vis et les deux rondelles qui relient le collecteur au croisillon avant (7).
- B) Avec les deux clés de 7/16", retirez les deux boulons et les deux écrous qui fixent le collecteur sur le boîtier de cuisson (8). Tirez le collecteur vers l'avant pour l'éloigner des tubes de brûleur (9). Le collecteur demeurera fixé à la/aux conduite(s) de gaz ondulée(s). Faites attention à ne pas laisser le collecteur rayer le châssis ou la porte ou pincer la/les conduite(s) de gaz ondulée(s) qui y sont fixées.



NETTOYAGE DU TUBE DU BRÛLEUR OU REMPLACEMENT (suite)

Retirez les tubes du brûleur

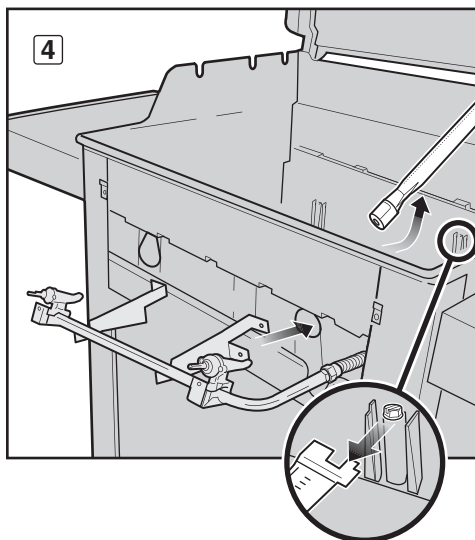
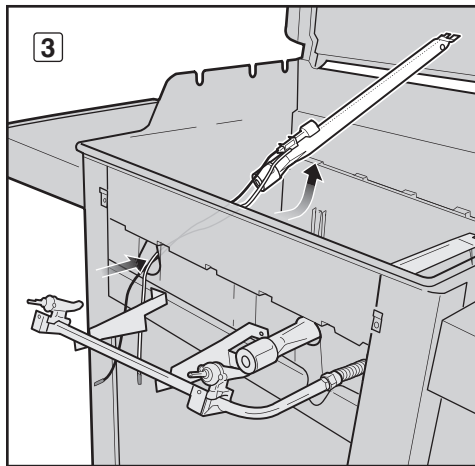
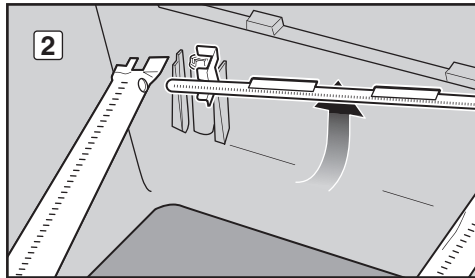
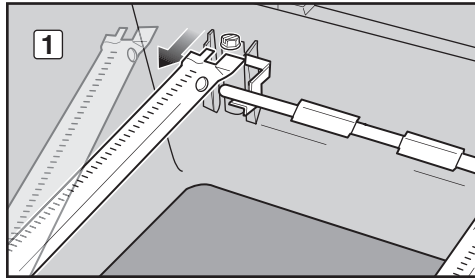
Pour les grills Spirit® avec 2 brûleurs (Modèles 210 et 220) :

- A) Glissez le tube du brûleur 1 pour le sortir de dessous la vis et la rondelle de guidage. Déplacez le tube du brûleur 1 légèrement vers la gauche pour le détacher du tube Crossover® (1).
- B) Retirez le tube Crossover® (2).
- C) Soulevez le tube du brûleur 1 pour le sortir du boîtier de cuisson tout en guidant les fils à travers le trou dans le boîtier de cuisson (3).
- D) Faites glisser le tube du brûleur 2 pour le sortir de dessous la vis et la rondelle de guidage. Soulevez le tube du brûleur 2 pour le sortir du boîtier de cuisson (4).

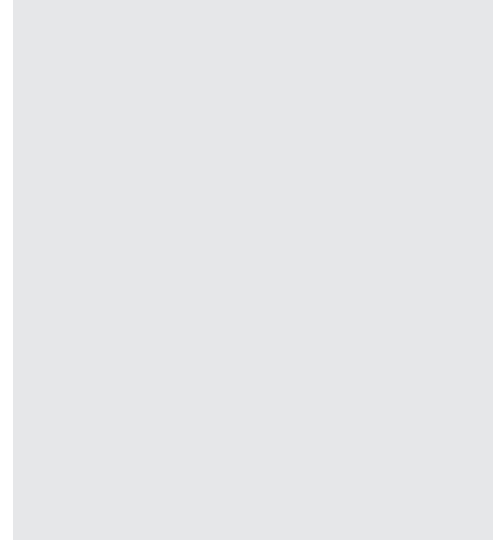
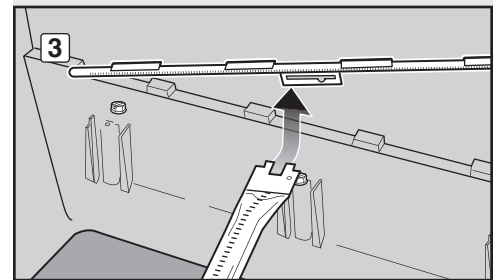
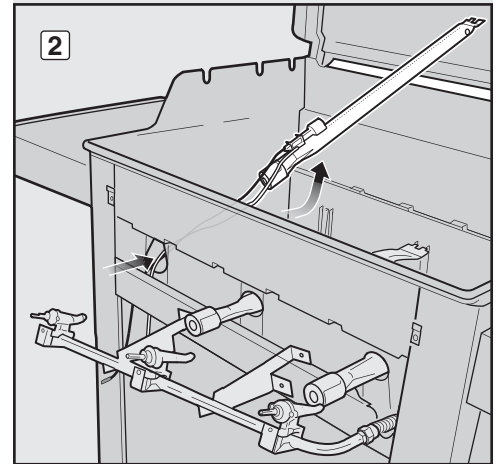
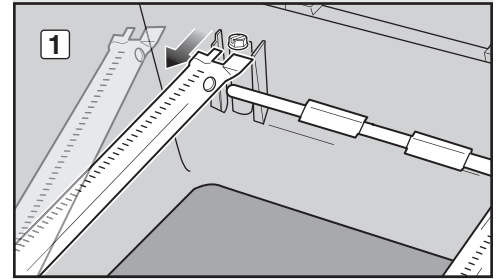
Pour les grills Spirit® avec 3 brûleurs (Modèles 310 et 320) :

- A) Faites glisser le tube du brûleur 1 pour le sortir de dessous la vis et la rondelle de guidage. Déplacez le tube du brûleur 1 légèrement vers la gauche pour le détacher du tube Crossover® (1).
- B) Soulevez le tube du brûleur 1 pour le sortir du boîtier de cuisson tout en guidant les fils à travers le trou dans le boîtier de cuisson (2).
- C) Faites glisser le tube du brûleur 3 de dessous la vis et la rondelle de guidage. Déplacez le tube du brûleur 3 légèrement vers la droite pour le détacher du tube Crossover®. Soulevez le tube du brûleur 3 pour le sortir du boîtier de cuisson.
- D) Faites glisser le tube du brûleur 2 de dessous la vis et la rondelle de guidage. Retirez le tube Crossover® en le déplaçant vers l'arrière du boîtier de cuisson (3). Soulevez le tube du brûleur 2 pour le sortir du boîtier de cuisson.

210/220



310/320



NETTOYAGE DU TUBE DU BRÛLEUR OU REMPLACEMENT (suite)

Nettoyez les tubes du brûleur

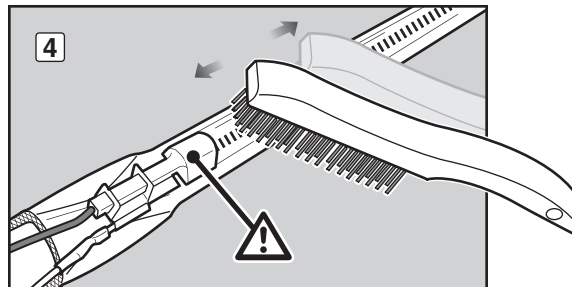
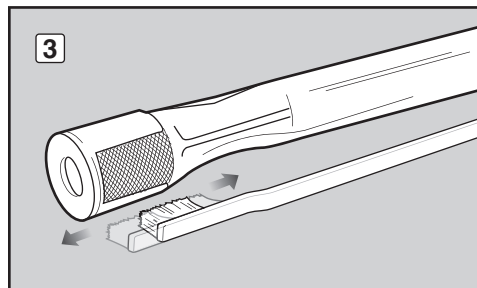
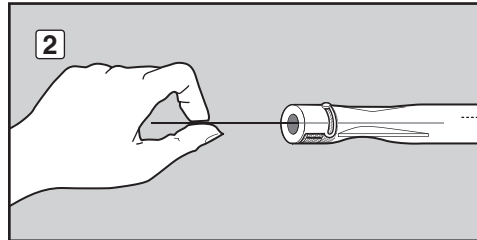
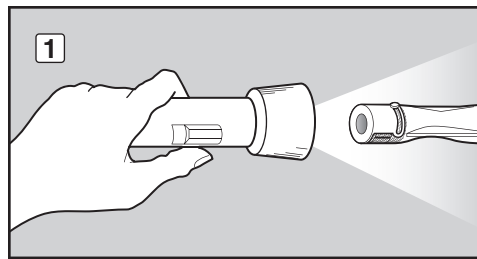
Il vous faudra : Une lampe torche, un fil de fer (un cintre déplié), une brosse métallique adaptée à l'acier inoxydable, et une brosse souple (brosse à dents).

- A) Regardez à l'intérieur de chacun des tubes du brûleur et dans le tube Crossover® à l'aide d'une lampe torche (1).
- B) Nettoyez tout débris ou blocage éventuels pour les retirer de l'intérieur des tubes avec le fil de fer (2).
- C) Vérifiez les grilles anti-araignées/insectes aux extrémités des tubes du brûleur et nettoyez-les à l'aide de la brosse souple (3).

⚠ ATTENTION : Ne nettoyez pas les grilles anti-araignées/insectes à l'aide d'ustensiles durs ou aiguisés. Ne délogez pas les grilles anti-araignées/insectes ou n'élargissez pas les ouvertures des grilles.

- D) Utilisez la brosse métallique pour nettoyer l'extérieur des tubes du brûleur et le tube Crossover®. Cette opération est réalisée afin de s'assurer que tous les ports du brûleur (ouvertures) tout le long des tubes sont complètement ouverts. Pendant le nettoyage du tube du brûleur 1, évitez de détériorer l'électrode de l'allumeur en brossant autour avec soin (4).

⚠ ATTENTION : N'élargissez pas les ports du brûleur lorsque vous les nettoyez.



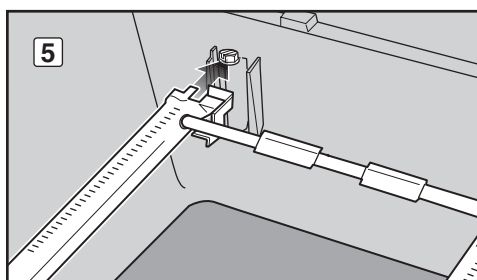
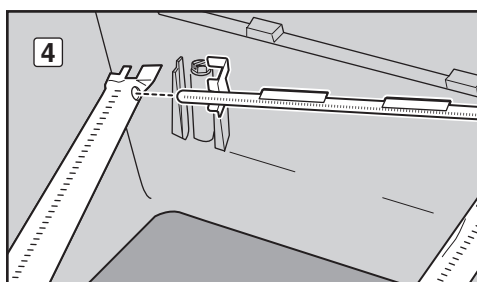
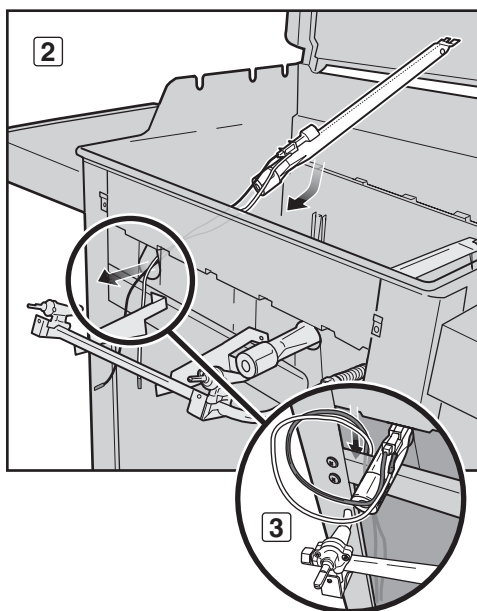
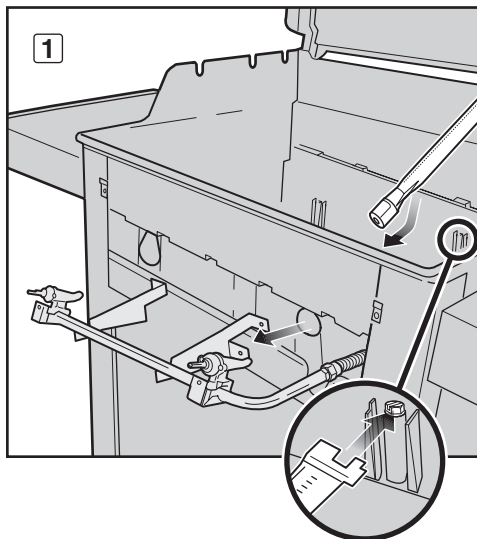
NETTOYAGE DU TUBE DU BRÛLEUR OU REMPLACEMENT (suite)

Remettez en place les tubes du brûleur

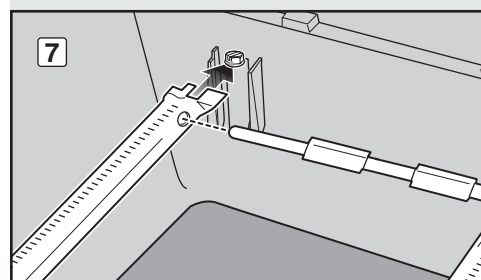
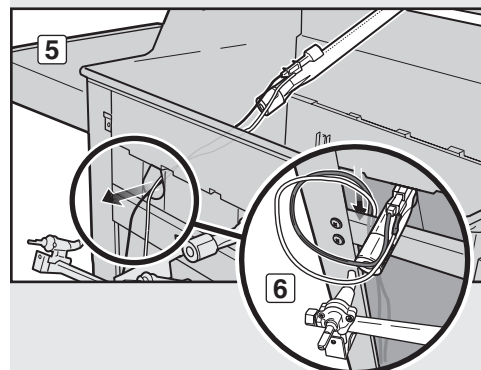
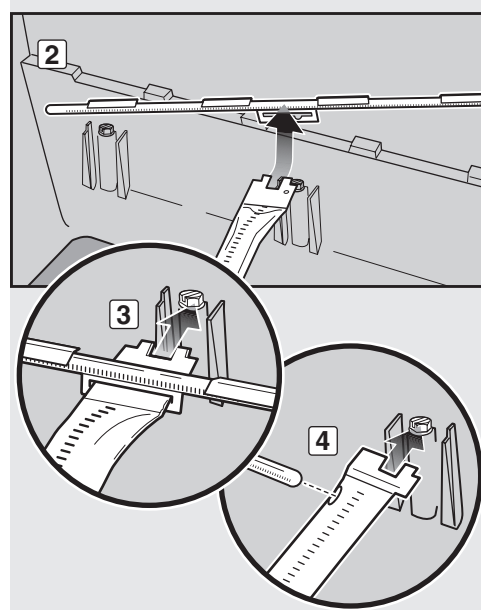
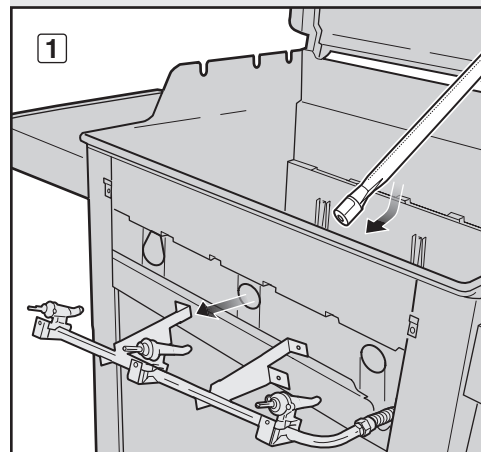
Pour les grills Spirit® avec 2 brûleurs (Modèles 210 et 220) :

- Placez le tube du brûleur 2 à l'intérieur du boîtier de cuisson puis passez l'extrémité avant du tube à travers l'ouverture du tube du brûleur 2. *Remarque : La rangée unique des portes du brûleur devrait être orientée vers le haut. Faites glisser le tube du brûleur 2 sous la vis et la rondelle de guidage (1).*
- Placez le tube du brûleur 1 à l'intérieur du boîtier de cuisson puis faites passer les fils de l'allumeur et l'extrémité avant du tube à travers l'ouverture du tube du brûleur 1 (2). Guidez les fils depuis le tube du brûleur 1 entre le croisillon avant et le boîtier de cuisson vers l'intérieur du meuble (3).
- Tout en maintenant le tube du brûleur 1, insérez le côté gauche du tube Crossover® à l'intérieur du tube du brûleur Crossover® (4). Guidez le côté droit du tube Crossover® à l'intérieur du trou du brûleur Crossover® 2 (non décrit sur l'image). *Remarque : Les ports du brûleur du tube Crossover® devraient être orientés en face de l'avant du boîtier de cuisson.*
- Faites glisser le tube du brûleur 1 sous la vis et la rondelle de guidage (5).

210/220



310/320



Pour les grills Spirit® avec 3 brûleurs (Modèles 310 et 320) :

- Placez le tube du brûleur 2 à l'intérieur du boîtier de cuisson puis passez l'extrémité avant du tube à travers l'ouverture du tube du brûleur 2 (1). *Remarque : La rangée unique des ports du brûleur devrait être orientée vers le haut.*
- Glissez le guide d'alignement du tube Crossover® sur l'extrémité du tube du brûleur 2 (2). *Remarque : Les ports du brûleur du tube Crossover® devraient être orientés face à l'avant du boîtier de cuisson. Avec le tube Crossover® en place, glissez le tube du brûleur 2 sous la rondelle et la vis de guidage (3).*
- Placez le tube du brûleur 3 à l'intérieur du boîtier de cuisson puis passez l'extrémité avant du tube à travers l'ouverture du tube du brûleur 3 (non décrit sur l'image). Insérez le côté droit du tube Crossover® à l'intérieur du tube du brûleur Crossover® dans le tube du brûleur 3. Glissez le tube du brûleur 3 sous la vis et la rondelle de guidage (4).
- Placez le tube du brûleur 1 à l'intérieur du boîtier de cuisson puis faites passer les câbles de l'allumeur et l'extrémité avant du tube à travers l'ouverture du tube du brûleur 1 (5). Guidez les fils depuis le tube du brûleur 1 entre le croisillon avant et le boîtier de cuisson puis à l'intérieur du meuble (6).
- Tout en tenant le tube du brûleur 1, insérez le côté gauche du tube Crossover® à l'intérieur du trou du brûleur Crossover®. Faites glisser le tube du brûleur 1 sous la vis et la rondelle de guidage (7).

NETTOYAGE DU TUBE DU BRÛLEUR OU REMPLACEMENT (suite)

Remettez en place le collecteur

Il vous faudra : Un tournevis cruciforme, deux clés de 7/16".

- A) Alignez les valves avec les tubes du brûleur. Avec deux clés de 7/16", installez les boulons et les écrous qui fixent le collecteur au boîtier de cuisson (1).
- B) Avec un tournevis cruciforme, installez les vis et les rondelles qui fixent le collecteur au croisillon avant (2). Si le collecteur a été installé correctement, les valves vont maintenant être complètement insérées à l'intérieur des tubes du brûleur.

⚠ ATTENTION : Les ouvertures des tubes du brûleur (3) doivent être correctement positionnées au-dessus des orifices des valves (4).

⚠ MISE EN GARDE : Vous devriez détecter les fuites de gaz à chaque fois que vous débranchez puis rebranchez un raccord de gaz. Voir DÉTECTION DES FUITES DE GAZ.

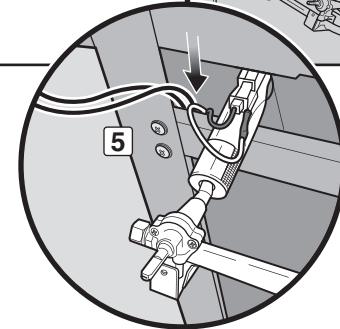
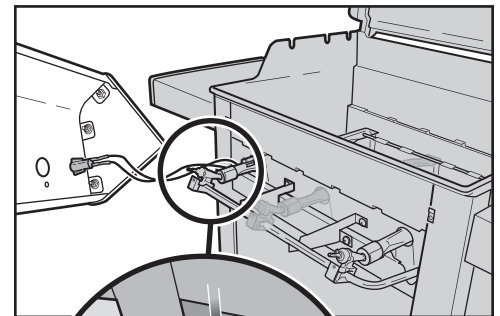
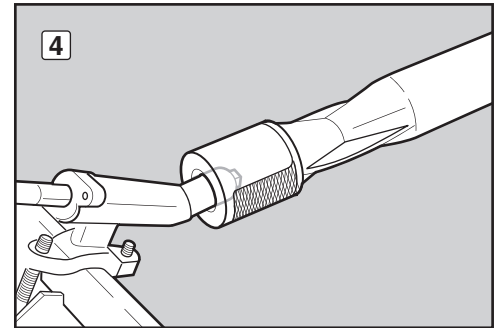
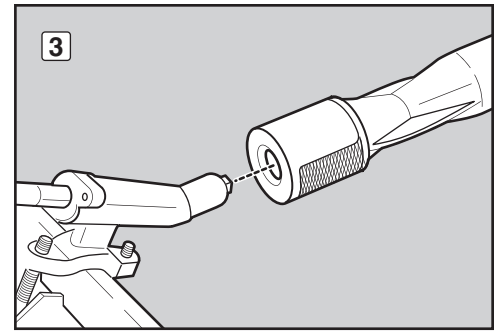
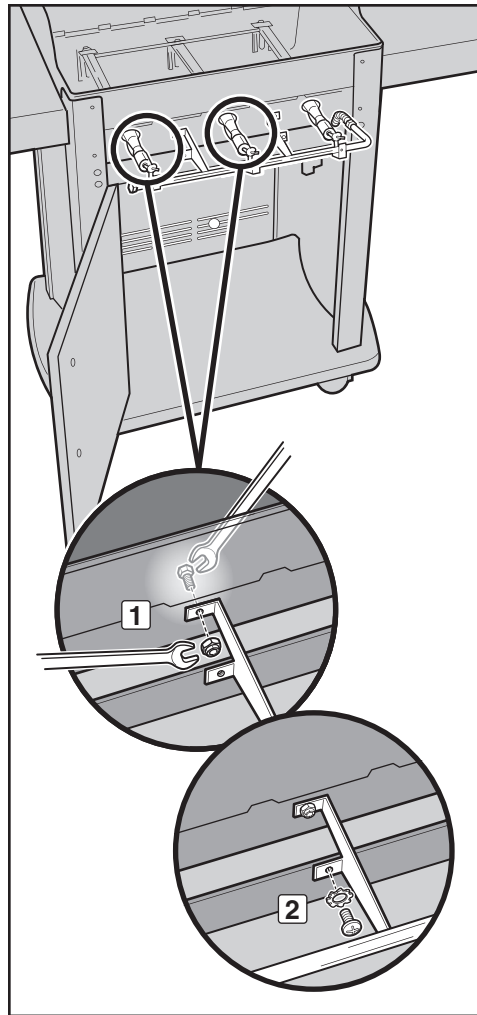
- C) Remettez en place les composants du boîtier de cuisson (non présenté sur l'image).

Remettez en place le panneau de commande

Il vous faudra : Un tournevis cruciforme.

- A) Guidez les deux fils à l'arrière du panneau de commande au-dessus du croisillon avant et à l'intérieur du meuble (5).
- B) Alignez les tiges des valves avec les trous dans le panneau de commande. Positionnez l'extrémité supérieure du panneau de commande sur les languettes de l'assemblage du châssis. Enfoncez le panneau de commande pour le positionner.
- C) Fixez le panneau de commande à l'aide des vis.
- D) Placez les boutons de commandes sur les tiges des valves.
- E) Connectez les câbles au module de l'allumeur. Clipsez les fils à l'intérieur des serre-fils sur le panneau intérieur gauche. Voir "MAINTENANCE DU SYSTÈME D'ALLUMAGE ÉLECTRONIQUE CROSSOVER®" pour un positionnement correct.

⚠ MISE EN GARDE : Assurez-vous que toutes les pièces sont assemblées et que la quincaillerie est complètement serrée avant d'utiliser le grill. Vos actions, si vous ne suivez pas la mise en garde concernant ce produit, risquent de provoquer un incendie à l'origine de blessures graves voire d'un décès ainsi que de dégâts matériels.



STOCKAGE ET/OU INUTILISATION

Pour les grills qui ont été stockés ou qui ont été inutilisés pendant un certain temps, il est important de suivre ces recommandations :

- Le gaz doit être fermé au niveau de la bouteille de PL lorsque le grill à gaz Weber® est inutilisé.
- Si vous stockez le grill à gaz Weber® à l'intérieur, commencez par DEBRANCHER l'arrivée de gaz puis stockez la bouteille de PL en extérieur dans un espace bien ventilé.
- Ne stockez pas une bouteille de PL débranchée dans un bâtiment, un garage ou toute autre zone confinée.
- Si vous ne débranchez pas la bouteille de PL du grill à gaz Weber®, assurez-vous de conserver le grill et la bouteille de gaz à l'extérieur dans une zone bien ventilée.
- Le grill à gaz Weber® devrait faire l'objet d'un contrôle afin de détecter les fuites de gaz et les obstructions éventuelles à l'intérieur des tubes du brûleur avant d'être utilisé. (Voir "MAINTENANCE ANNUELLE")
- Vérifiez que les zones situées sous le panneau de commande et le plateau de récupération des graisses amovible ne comportent aucun débris susceptible de faire obstruction au passage de l'air nécessaire à la combustion ou à la ventilation.
- La grille anti-araignées/insectes devrait également faire l'objet d'un contrôle afin de vérifier si elle est obstruée. (Voir "MAINTENANCE ANNUELLE")

MAGNIFIQUE—DEDANS COMME DEHORS

Les propriétaires de grills Weber® sont très fiers de leurs grills, et ils ont une bonne raison : nos grills sont des merveilles de technologie et de design. Entretenez votre fierté et votre joie. Maintenez votre grill propre et magnifique — à l'intérieur comme à l'extérieur - en suivant ces étapes de maintenance de routine.

NETTOYAGE DE L'EXTÉRIEUR DU GRILL

Pour maintenir un aspect extérieur optimal pour votre grill, utilisez les conseils de nettoyage en toute sécurité qui suivent.

⚠ MISE EN GARDE : Éteignez le grill à gaz Weber® puis patientez pour qu'il se refroidisse avant de la nettoyer.

Surfaces peintes, surfaces émaillées et surfaces en plastique

Utilisez une solution d'eau savonneuse chaude pour nettoyer les surfaces extérieures ; ensuite rincez à l'eau.

IMPORTANT : N'utilisez pas un nettoyant pour four, des détergents abrasifs (détergents pour cuisine), des détergents contenant des produits à base d'agrumes, ou des tampons à récurer abrasifs sur les surfaces du grill ou du chariot.

Surfaces en acier inoxydable

Votre grill ou son meuble, son couvercle et son panneau de commande peuvent être en acier inoxydable. Lavez les surfaces externes à l'aide d'un chiffon doux et d'une solution d'eau savonneuse, rincez à l'eau puis essuyez pour sécher.

Pour les particules tenaces, vous pouvez utiliser une brosse non-métallique. Frottez les surfaces en acier inoxydable dans le sens du grain.

IMPORTANT : Ne nettoyez pas les surfaces en acier inoxydable avec une substance contenant de l'acide des alcools minéraux ou du xylène. Rincez bien les surfaces après le nettoyage. N'utilisez pas une brosse métallique ou des détergents abrasifs sur les surfaces en acier inoxydable de votre grill car cela provoquerait des rayures. Lorsque vous nettoyez de l'acier inoxydable, assurez-vous de frotter/essuyer dans le sens du grain.

NETTOYAGE DE L'INTÉRIEUR DU GRILL

Pour maintenir le fonctionnement de votre grill en toute sécurité et efficacité, il est important de retirer tout débris et tout excès de graisse qui pourraient s'être accumulés sur l'intérieur du grill. Utilisez les consignes suivantes pour un nettoyage en toute sécurité.

Intérieur du couvercle

Un écaillage de la graisse accumulée en flocons ressemble à de la peinture qui s'écaille. Essuyez l'intérieur du couvercle avec une serviette en papier pour empêcher toute accumulation de graisse. Lavez l'intérieur du couvercle à l'eau chaude savonneuse ; ensuite, rincez à l'eau.

Boîtier de cuisson

Lavez l'intérieur du boîtier de cuisson à l'eau savonneuse chaude ; ensuite, rincez à l'eau.

Composants du boîtier de cuisson

Il vous faudra : Une brosse métallique pour acier inoxydable, une râpe en plastique rigide.

- Râpez et brossez les grilles de cuisson à l'aide de la râpe et de la brosse. Retirez les grilles de cuisson et réservez.
- Râpez et brossez les barres Flavorizer® à l'aide de la râpe et de la brosse. Selon les besoins, lavez-les à l'eau savonneuse chaude, puis rincez à l'eau. Retirez les barres Flavorizer® puis réservez.

⚠ ATTENTION : Ne nettoyez pas les barres Flavorizer® ou les grilles de cuisson dans un four auto-nettoyant.

- Brossez les débris éventuels des tubes du brûleur et du tube Crossover®. N'élargissez pas les ports (ouvertures) du brûleur le long du brûleur et des tubes Crossover® (1). **REMARQUE : Lorsque vous nettoyez le tube du brûleur 1, évitez de détériorer l'électrode de l'allumeur en brossant soigneusement autour de celle-ci.**
- Une fois le nettoyage terminé, remettez en place les barres Flavorizer® et les grilles de cuisson.

Plateau de récupération des graisses amovible

Votre grill a été conçu avec un système de récupération des graisses, qui dirige la graisse à l'écart des aliments vers des récipients amovibles.

Vérifiez le plateau de récupération des graisses amovible pour détecter toute accumulation de graisse à chaque fois que vous utilisez votre grill. Retirez l'excès de graisse à l'aide d'une râpe en plastique (2). Lavez le plateau de récupération des graisses à l'aide d'une solution d'eau savonneuse puis rincez à l'eau.

⚠ ATTENTION : Ne recouvrez pas le plateau de récupération des graisses avec du papier aluminium.

Égouttoir et égouttoir jetable

La graisse en provenance du plateau de récupération des graisses est envoyée vers un égouttoir. Le nettoyage de l'égouttoir est tout aussi important que le nettoyage du plateau de récupération des graisses amovible.

Vérifiez l'égouttoir afin de détecter toute accumulation de graisse à chaque fois que vous utilisez votre grill. Retirez l'excès de graisse à l'aide d'une râpe en plastique (3). Lavez l'égouttoir à l'eau chaude savonneuse puis rincez à l'eau. Pour maintenir l'égouttoir plus propre pendant plus longtemps, vous pouvez recouvrir l'égouttoir d'un égouttoir jetable Weber® ou avec du papier aluminium.

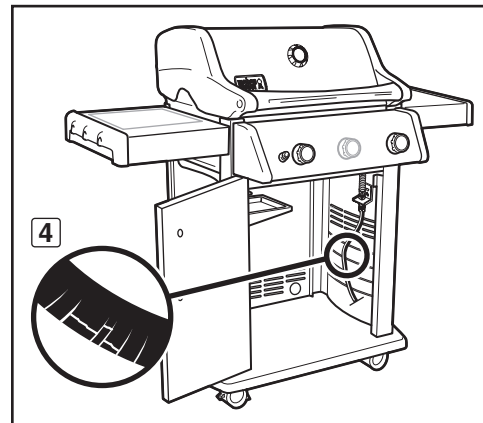
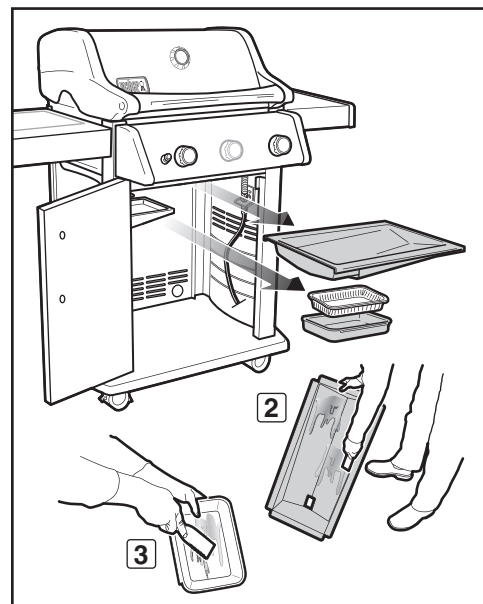
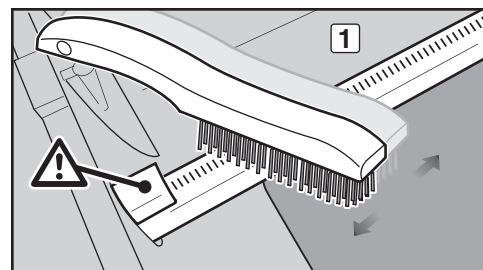
⚠ MISE EN GARDE : Vérifiez le plateau de récupération des graisses amovible ainsi que l'égouttoir afin de détecter toute accumulation de graisse avant chaque utilisation. Retirez tout excès de graisse afin d'éviter un feu de graisse. Un feu de graisse risquerait de provoquer des blessures graves ou des dégâts matériels.

INSPECTION DU TUYAU

Le tuyau devrait être régulièrement inspecté afin d'éviter tout signe de fissure (4).

⚠ MISE EN GARDE : Vérifiez le tuyau avant chaque utilisation du grill afin de détecter les entailles, les fissures, les abrasions ou les coupures. Si le tuyau s'avère détérioré de quelque manière que ce soit, n'utilisez pas le grill. Remplacez le tuyau en utilisant uniquement un tuyau de rechange agréé par Weber®. Contactez le représentant du Service clientèle de votre région à l'aide des informations à votre disposition sur notre site Internet.

Connectez-vous sur www.weber.com®.



Pour obtenir des égouttoirs jetables de rechange, des grilles de cuisson et des barres Flavorizer®, contactez le représentant du Service clientèle le plus proche à l'aide des coordonnées à votre disposition sur notre site Internet. Connectez-vous sur www.weber.com®.

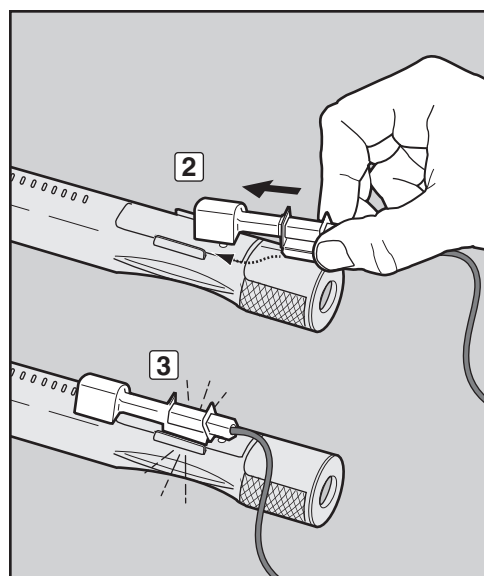
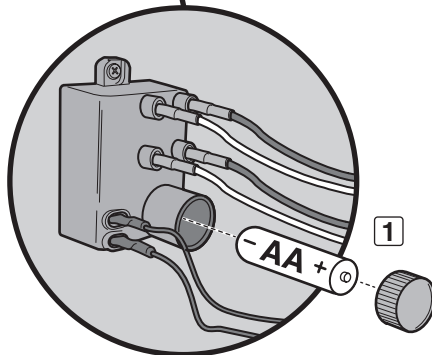
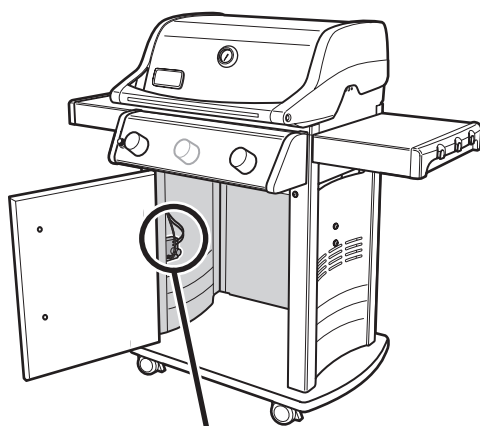
MAINTENANCE DU SYSTÈME D'ALLUMAGE ÉLECTRONIQUE CROSSOVER®

Le module d'allumage fournit de l'électricité au système d'allumage électronique Crossover® et au brûleur latéral à l'aide d'un bouton unique pour l'allumeur. Que vous soyez en train d'effectuer une maintenance de routine ou un contrôle de détection des fuites sur le système d'allumage, veuillez lire les informations suivantes afin de maintenir le fonctionnement correct de votre système d'allumage.

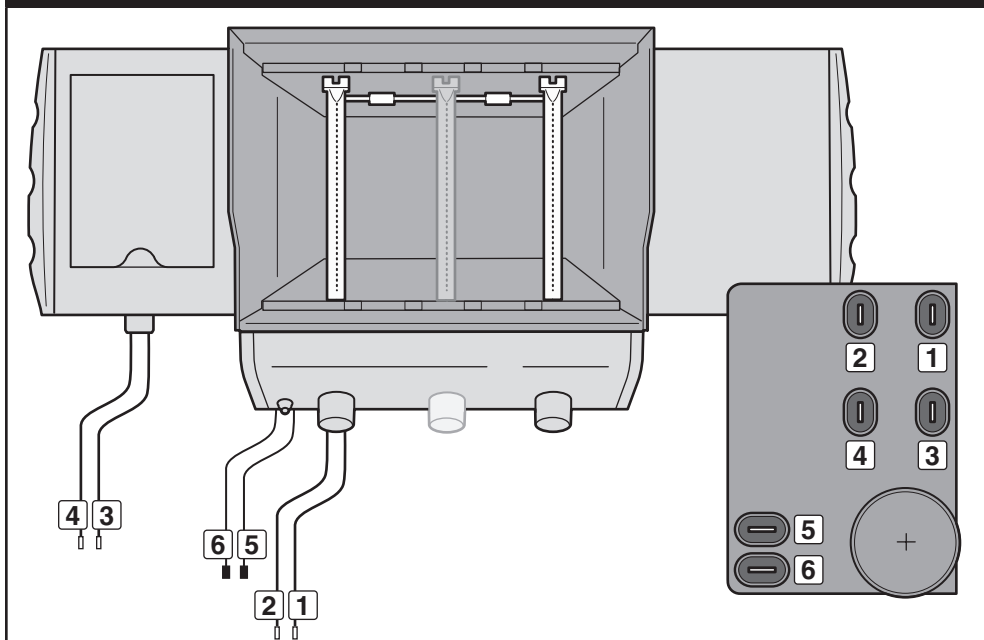
Si le système d'allumage électronique Crossover® ne s'allume pas, vous aurez besoin de définir précisément où le problème se produit : au niveau du débit de gaz ou au niveau du système d'allumage électronique. Commencez par tenter d'allumer vos brûleurs à l'aide d'une allumette. Voir "ALLUMAGE DU BRÛLEUR PRINCIPAL - Allumage à l'aide d'une allumette." Si l'allumage avec une allumette fonctionne, le problème provient au système d'allumage.

- Vérifiez que la pile AA (alcaline uniquement) est en bon état et qu'elle est installée correctement (1). Certaines piles sont protégées par un plastique. Ce plastique doit être retiré avant d'installer la pile. Ne confondez pas ce plastique avec l'étiquette de la pile.
- Assurez-vous que les câbles de l'allumeur sont correctement fixés au module d'allumage. Voir le tableau "GUIDE DE CÂBLAGE DU MODULE D'ALLUMAGE" sur cette page.
- Assurez-vous que l'assemblage de l'allumeur en céramique est complètement inséré dans le canal de l'allumeur du tube du brûleur (2). S'il est correctement positionné, vous entendrez un déclic (3).
- Assurez-vous que le bouton de l'allumeur électronique fonctionne en écoutant les déclics et en regardant les étincelles au niveau du brûleur.

Si le système d'allumage électronique Crossover® ne parvient toujours pas à allumer le brûleur, veuillez contacter le représentant du Service clientèle le plus proche à l'aide des coordonnées à votre disposition sur notre site Internet. Connectez-vous sur www.weber.com.



GUIDE DE CÂBLAGE DU MODULE D'ALLUMAGE (E220 / E320 / SP320)



BRÛLEUR 1	BRÛLEUR LATÉRAL	BOUTON D'ALLUMAGE
Borne noire (1)	Borne bleue (3)	Borne noire (5)
Borne jaune (2)	Borne verte (4)	Borne noire (6)

NETTOYAGE DU TUBE DU BRÛLEUR LATÉRAL

Retirez la valve du brûleur latéral

Il vous faudra : Un tournevis cruciforme.

- A) Retirez les deux vis qui fixent la plaque de la valve du brûleur latéral sur la tablette du brûleur latéral (1).
- B) Dégagez la valve du brûleur latéral en tirant doucement l'ensemble vers l'avant (2). Faites preuve de prudence afin de ne pas pincer la conduite de gaz ondulée (3).

Nettoyez le tube du brûleur

Il vous faudra : Une lampe de poche, un fil de fer (un cintre déplié), une brosse métallique en acier inoxydable adaptée.

- A) Regardez à l'intérieur du tube du brûleur avec une lampe de poche (4).
- B) Nettoyez tout débris ou blocage en les sortant de l'intérieur du tube à l'aide du fil de fer (5).

Remettez en place la valve du brûleur latéral

Il vous faudra : Un tournevis cruciforme.

- A) Alignez la valve du brûleur latéral avec l'ouverture du tube du brûleur latéral.

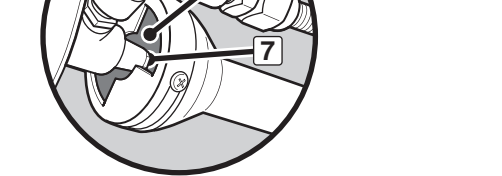
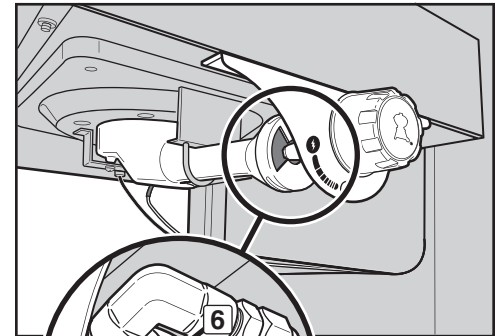
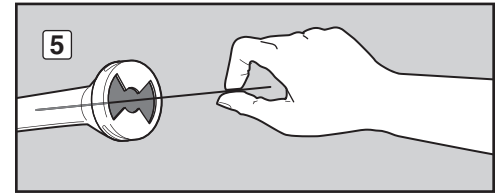
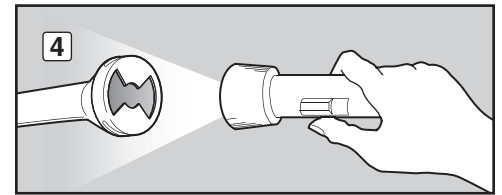
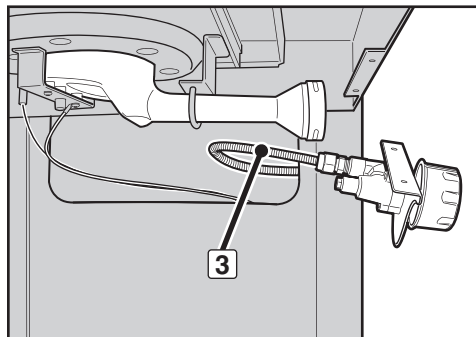
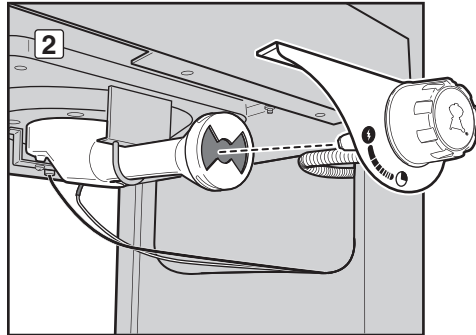
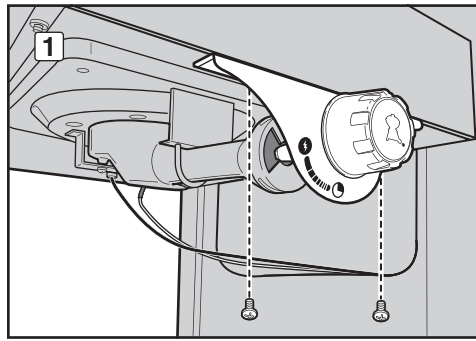
⚠ ATTENTION : L'ouverture du tube du brûleur latéral (6) doit être positionnée correctement au-dessus de l'orifice de la valve du brûleur latéral (7).

- B) Fixez la plaque de la valve du brûleur latéral sur la tablette du brûleur latéral à l'aide de deux vis.

MAINTENANCE DU BRÛLEUR LATÉRAL

⚠ MISE EN GARDE : La totalité des commandes de gaz et des valves d'alimentation devrait être positionnée sur arrêt (○).

- Assurez-vous que le fil noir et le fil de raccordement à la terre blanc de l'allumeur sont fixés au module de l'allumeur à l'intérieur du meuble de base. Voir le "GUIDE DE CÂBLAGE DU MODULE DE L'ALLUMEUR."
- Vérifiez que les fils ne sont pas pincés.
- Assurez-vous que le bouton de l'allumeur électronique fonctionne en écoutant le déclic et en recherchant la présence d'étincelles au niveau du brûleur.
- Les étincelles devraient être de couleur blanche/bleue, pas jaune.



VISION ÉCLATÉE DU BRÛLEUR LATÉRAL

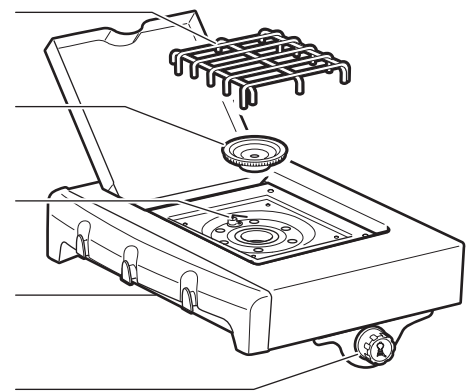
Grille du brûleur latéral

Tête du brûleur latéral

Plateau du brûleur latéral

Tablette du brûleur latéral

Bouton de commande du brûleur latéral



⚠ ATTENTION : Ce produit a fait l'objet de tests de sécurité et est certifié pour une utilisation dans un pays particulier uniquement. Vérifiez la désignation de pays située sur le carton d'emballage.

Ces pièces peuvent contenir du gaz ou être des éléments dont la combustion produit du gaz. Veuillez consulter le Service clientèle de Weber-Stephen Products LLC pour des renseignements sur les pièces de rechange originales de Weber-Stephen Products LLC.

⚠ MISE EN GARDE : Ne tentez pas d'effectuer des réparations sur des éléments contenant du gaz ou sur des éléments dont la combustion produit du gaz sans contacter le service clientèle de Weber-Stephen Products LLC. Si vous ne suivez pas la présente Mise en garde relative au produit, vos actions risquent de provoquer un incendie ou une explosion entraînant des blessures physiques graves voire un décès ainsi que des dégâts matériels.



WEBER-STEPHEN PRODUCTS LLC

www.weber.com[®]