

Premium Undercounter Refrigeration



YOU CAN HAVE IT ALL







Style. Performance. Value. You *can* have it all.

The best of everything comes together in Marvel undercounter refrigeration. Elegant styling that complements any kitchen or entertainment room décor. Smart shelving designs that maximize storage capacity and flexibility. Superior performance from products proudly built in the U.S.A. to the same stringent standards as our scientific, medical, and industrial products. And we offer all this at pricing that may pleasantly surprise you.

We invite you to look closely. We think you'll agree that Marvel is the best choice in premium undercounter refrigeration.

CONTENTS

Exclusive Features	4
Wine Cellars	6
Beverage Centers	8
Refrigerators	10
Refrigerated Drawers	12
Refrigerator / Freezers	14
Ice Machines	16
Beer Dispensers	18
Stacking Combination Units	20
Product Specifications	22
Installation Specifications	24
Overlay Panel Specifications	26
Optional Accessories	27
Additional Products	28
AGA Marvel Heritage	30



EXCLUSIVE FEATURES

Stylish, convenient, and built to last



01 Dual Pane UV-Resistant Glass Doors

Ultraviolet rays can cause wine to age prematurely and damage quality and flavor. Marvel's wine cellar doors are constructed of argon-filled, dual-pane, tinted UV-resistant glass to ensure that your collection is both protected and properly displayed.

02 Close Door Assist

The "Close Door Assist" System is designed into our hinge system, and draws the door closed when it is accidentally left slightly ajar.

03 Interior Lighting

Glass door models feature subtle interior accent lighting for a beautiful presentation of your wine and beverages.

04 Maximum Storage Capacity

Our 6GARM and 6ARM refrigerators are equipped with full width, adjustable cantilever shelves that are easily adjusted to accommodate your unique storage needs. Wine cellars feature large capacity slide-out racks that allow bottles to be positioned for serving or longer term storage.

Maple Rack Facings

Drawer fronts are natural maple that can be stained or painted to match adjoining cabinetry.

05 Easy Access

Marvel doors open and close within the width of the refrigerator body and allow a flush fit with adjoining cabinetry. Our specially designed door closer hinge incorporates a physical "stop", preventing the door from swinging back to a parallel position.

06 Designer Details

The full-length stainless steel handle, blue LED temperature control display and black interiors bring a warm elegance to any room.

07 Doors to Match Your Décor

Stainless steel, black, and wood overlay frames and solid doors available. All products are available with left or right hand door swing. Please specify when ordering.



WINE CELLARS



24" Dual Zone Wine Cellar

Marvel pioneered the premium undercounter wine category, and our decades of experience are on display in the Marvel Series. The Dual Zone model is equipped with our Dynamic Cooling™ Technology for precise temperature control, fast temperature recovery, and ultra-efficient air circulation to keep temperatures even throughout the cabinet. Two independent compartments, each with their own temperature control, set-point, and display allow you to provide either the perfect long-term storage temperature or the ideal serving temperature for both red and white wine in either compartment. The temperature range for each zone is 40° F through 65° F.

24" Dual Zone Wine Cellar

Model No: 6SDZE-BS-G

- True dual zone, with two zones independently controlled and monitored for perfect wine storage
- Audible and visual alarms for door ajar and high/low temperature for each compartment
- 44 bottle capacity; upper zone 24 bottles; lower zone 20 bottles
- Door available in stainless steel framed glass, black framed glass, or overlay framed glass
- Full length designer handle
- White LED interior display lighting
- "Close Door Assist" hinging system
- Dual-pane tinted and UV-resistant door glass protects wine
- Cool blue LED temperature control display
- 6 glide-out wine racks with 1 1/4" maple fronts
- 33 7/8" minimum H x 23 7/8" W x 23 5/8" D
- Height adjustment up to 1" with leveling legs
- Specify right or left hand door swing when ordering





15" Wine Cellar

Model No: 30WCM-BS-G-R

- 23 bottle capacity
- Five slide-out wine racks with 1 1/4" maple shelf front
- One 3-bottle wine cradle
- Incandescent interior display lighting
- Cool blue LED temperature control display
- Audible and visual alarms for door ajar and high/low temperature
- Door available in stainless steel framed glass, black framed glass, overlay framed glass, or solid overlay
- "Close Door Assist" hinging system
- Full length designer handle
- Temperature range from 40° to 65° F
- 33 3/4" minimum H x 14 7/8" W x 23 9/32" D
- Height adjustment up to 1" with leveling legs
- Filler kit available for 18" wide opening
- Specify right or left hand door swing when ordering



24" Wine Cellar

Model No: 61WCM-BS-G-R

- 45 bottle capacity
- Accommodates magnum bottle storage
- Four slide-out wine racks with 1 1/4" maple shelf fronts
- One inclined display shelf
- One 6-bottle wine cradle
- Incandescent interior display lighting
- Cool blue LED temperature control display
- Audible and visual alarms for door ajar and high/low temperature
- Door available in stainless steel framed glass, black framed glass, overlay framed glass, or solid overlay
- "Close Door Assist" hinging system
- Full length designer handle
- Temperature from 40° to 65° F
- 33 3/4" minimum H x 23 7/8" W x 24 1/16" D
- Height adjustment up to 1" with leveling legs
- Specify right or left hand door swing when ordering



30" Wine Cellar

Model No: 8SWCE-BS-G-R

- 68 bottle capacity
- Six glide-out wine racks with 1 1/4" maple shelf fronts
- One 8-bottle wine cradle
- Incandescent interior display lighting
- Cool blue LED temperature control display
- Audible and visual alarms for door ajar and high/low temperature
- Door available in stainless steel framed glass, black framed glass, or overlay framed glass
- "Close Door Assist" hinging system
- Full length designer handle
- Temperature from 40° to 65° F
- 33 3/4" minimum H x 29 7/8" W x 24 1/16" D
- Height adjustment up to 1" with leveling legs
- Specify right or left hand door swing when ordering

BEVERAGE CENTERS

Marvel offers the perfect storage centers for your beverages and wine. Large capacities, adjustable shelving, and a 40° to 65° F temperature range give you the flexibility you need to entertain in style. Our 30" beverage center delivers all our convenience features with even greater capacity. Marvel wine racks extend smoothly with built-in safety stops, and our glass door models feature elegant interior lighting to showcase your contents.

Our 6BARM model has a split top shelf design that allows storage of canned beverages on the left side and large bottles on the right.

With full length designer handles, door frames available in stainless steel, black, or wood overlay, maple shelf fronts, and black interiors, Marvel beverage centers are the definition of elegance.





15" Beverage Center

Model No: 3BARM-BS-G-R

- Stores 60 12 oz. cans; wine section holds four bottles
- One slide-out wine rack plus two black wire shelves
- 1 1/4" maple shelf fronts
- One 3-bottle wine cradle
- Incandescent interior display lighting
- Door available in stainless steel framed glass, black framed glass, overlay framed glass, or solid overlay
- "Close Door Assist" hinging system
- Full length designer handle
- Temperature range from 40° to 65° F
- Audible and visual alarms for door ajar and high/low temperature
- Cool blue LED temperature control display
- 33 3/4" minimum H x 14 7/8" W x 23 9/32" D
- Height adjustment up to 1" with leveling legs
- Specify right or left hand door swing when ordering



24" Beverage Center

Model No: 6BARM-BS-G-R

- Stores 103 12 oz. cans; wine section holds 14 bottles
- One metal shelf, one glass shelf, one slide-out wine rack, one wire half-shelf
- 1 1/4" maple shelf fronts
- One 6-bottle wine cradle
- Incandescent interior display lighting
- Door available in stainless steel framed glass, black framed glass, overlay framed glass, or solid overlay
- "Close Door Assist" hinging system
- Full length designer handle
- Temperature range from 39° to 65° F
- Audible and visual alarms for door ajar and high/low temperature
- Cool blue LED temperature control display
- 33 3/4" minimum H x 23 7/8" W x 24 1/16" D
- Height adjustment up to 1" with leveling legs
- Specify right or left hand door swing when ordering



30" Beverage Center

Model No: 8SBARE-BS-G-R

- Stores 144 12 oz. cans; wine section holds 18 bottles
- One slide-out wine rack, two glide out glass shelves, one wire half-shelf
- 1 1/4" maple shelf fronts
- One 6-bottle wine cradle
- Incandescent interior display lighting
- Door available in stainless steel framed glass, black framed glass, or overlay framed glass
- "Close Door Assist" hinging system
- Full length designer handle
- Temperature range from 40° to 65° F
- Audible and visual alarms for door ajar and high/low temperature
- Cool blue LED temperature control display
- 33 3/4" minimum H x 29 7/8" W x 24 1/16" D
- Height adjustment up to 1" with leveling legs
- Specify right or left hand door swing when ordering

REFRIGERATORS



24" Glass Door Refrigerator/Beverage Center

Marvel refrigerators are a marriage of performance and style. Our advanced Dynamic Cooling™ technology provides superior temperature control. Even with frequent usage, temperature recovery times are fast and temperatures are consistent from top to bottom. We've designed a shelving configuration that provides unmatched storage capacity and flexibility.

Our 24" Glass Door Refrigerator is our most popular model. A refrigerator, beverage center, and wine cellar in one elegant package, it's a great addition to any kitchen, wet bar, or home office. The half-width shelf allows vertical storage of tall items, and the two full-width shelves convert to wine storage, each holding seven bottles. All shelves are cantilevered and adjustable so you can configure your storage space to suit your needs.

24" Glass Door Refrigerator/Beverage Center

Model No: 6GARM-BS-G-R

- Stores 95 12 oz. cans or up to 20 wine bottles
- Dynamic Cooling™ Technology for accurate temperature control between 35°F and 43°F
- Two full-width adjustable cantilever glass shelves
- 1 1/4" maple shelf fronts
- One half-width adjustable cantilever glass shelf allows for tall and/or open bottle storage
- Fixed position wine cradle at bottom of cabinet holds six bottles
- Dual-pane tinted and UV resistant door glass protects wine
- Full length designer handle
- Audible and visual alarms for door ajar and high/low temperature
- Door available in stainless steel framed glass, black framed glass, overlay framed glass, or solid overlay
- Designer door colors available- See page 27
- "Close Door Assist" hinging system
- Cool blue LED temperature control display
- 33 7/8" minimum H x 23 7/8" W x 23 5/8" D
- Height adjustment up to 1" with leveling legs
- Specify right or left hand door swing when ordering





15" Refrigerator

Model No: 30ARM-BS-F-R

- Stores 100 12 oz. cans
- Accurate temperature control between 33° and 45° F
- Audible and visual alarms for door ajar and high/low temperature
- Three slide-out chrome-plated wire shelves and three door shelves
- Door available in solid stainless steel, black, white, or overlay panel
- Cool blue LED temperature control display
- Bright white daylight incandescent interior lighting
- Solid stainless steel door
- Full length designer handle
- "Close Door Assist" hinging system
- 33 3/4" minimum H x 14 7/8" W x 23 9/32" D
- Height adjustment up to 1" with leveling legs
- Specify right or left hand door swing when ordering



24" Refrigerator

Model No: 61ARM-BS-F-R

- Stores 190 12 oz. cans
- Accurate temperature control between 33° and 45° F
- Audible and visual alarms for door ajar and high/low temperature
- Two adjustable wire shelves
- Three door shelves for storage of tall 2-liter bottles
- Full length designer handle
- Door available in solid stainless steel, black or white
- Bright white daylight incandescent interior lighting
- "Close Door Assist" hinging system
- Cool blue LED temperature control display
- Bright white daylight incandescent interior lighting
- 33 3/4" minimum H x 23 7/8" W x 24 1/16" D
- Height adjustment up to 1" with leveling legs
- Specify right or left hand door swing when ordering
- Energy Star rated



24" Refrigerator

Model No: 6ARM-BS-F-R

- Stores 103 12 oz. cans
- Dynamic Cooling™ Technology for accurate temperature control between 35° and 43° F
- Audible and visual alarms for door ajar and high/low temperature
- Two cantilever spill safe adjustable glass shelves and one half-width flat glass shelf
- Three door shelves for storage of tall 2-liter bottles
- Full length designer handle
- Door available in solid stainless steel, solid white, white overlay, solid black, and black overlay
- "Close Door Assist" hinging system
- Cool blue LED temperature control display
- Bright white daylight incandescent interior lighting
- 33 3/4" minimum H x 23 7/8" W x 23 9/16" D
- Height adjustment up to 1" with leveling legs
- Specify right or left hand door swing when ordering
- Energy Star rated



REFRIGERATED DRAWERS

Capacity and convenience – our refrigerated drawer units provide the perfect environment for fresh food storage. Full extension, self-closing drawer glides give you easy access from above, with everything in view and within reach. Bright white LED interior lighting and white interiors make contents easy to see, and our Dynamic Cooling™ Technology gives you quick temperature recovery even with frequent usage.



24" Refrigerated Drawer

Model No: 60RDE-BS-F

- Dynamic Cooling™ technology for accurate temperature control between 33° and 47° F
- Stores 144 12 oz. cans
- Drawer fronts available in solid stainless steel, overlay panel, or designer colors. See page 27
- “E-Z” Storage system and adjustable - drawer dividers also available
- Full-width designer handles
- Audible and visual alarms for door ajar and high/low temperature
- Self-closing drawer glides prevent drawer bounce back
- Bright white daylight LED interior lighting
- Cool blue LED temperature control display
- 33 ¾" minimum height x 23 7/8" W x 24 ¼" D
- Height adjustment up to 1" with leveling legs



30" Refrigerated Drawer

Model No: 80RDE-F-WI

- Temperature range between 33° and 47° F
- Stores 198 12 oz. cans
- Solid stainless-steel drawer fronts
- “E-Z” Storage system and adjustable drawer dividers also available
- Full-width designer handles
- Audible and visual alarms for door ajar and high/low temperature
- Self-closing drawer glides prevent drawer bounce back
- Bright white daylight LED interior lighting
- Cool blue LED temperature control display
- 33 ¾" minimum height x 29 7/8" W x 24 ¼" D
- Height adjustment up to 1" with leveling legs



REFRIGERATOR/FREEZERS



24" Refrigerator Freezer

Available in both 24" and 30" wide models, Marvel Refrigerator/Freezers are the answer for undercounter convenience. They feature top-mounted freezer compartments with self-closing doors. Door storage bins easily hold larger and taller items. Exterior doors are available in solid stainless steel, wood overlay, or black to match any décor.



24" Refrigerator Freezer

Model No: 61RF-BS-F-R

- Refrigerator section – 4.4 cu. ft., stores 175 12 oz. cans; freezer section is 1.4 cu. ft.
- Top-mounted freezer compartment with self-closing door
- Two ice cube trays
- Refrigerator section temperature range between 33° and 45° F
- Freezer section temperature range between 10° and 29° F
- Bright white daylight incandescent interior lighting
- Two removable glass shelves and three door shelves for maximum capacity and flexibility
- Door available in solid stainless steel, black, white, or solid overlay
- Full length designer handle
- "Close Door Assist" hinging system
- Audible and visual alarms for door ajar and high/low temperature
- 33 3/4" minimum H x 23 7/8" W x 24 1/16" D
- Height adjustment up to 1" with leveling legs
- Specify right or left hand door swing when ordering



30" Refrigerator Freezer

Model No: 80RF-BS-F-R

- Refrigerator section stores 205 12 oz. cans
- Top-mounted freezer compartment with self-closing door
- Two ice cube trays
- Refrigerator section temperature range between 33° and 45° F
- Freezer section temperature range between 10° and 29° F
- Bright white daylight incandescent interior lighting
- Two wide chrome plated wire shelves and three door shelves
- Door available in solid stainless steel, black or white
- Full length designer handle
- "Close Door Assist" hinging system
- Audible and visual alarms for door ajar and high/low temperature
- 33 3/4" minimum H x 29 7/8" W x 24 1/16" D
- Height adjustment up to 1" with leveling legs
- Specify right or left hand door swing when ordering



ICE MACHINES

Simply freezing water will also freeze impurities, altering the taste of any beverage it touches. That's why Marvel ice machines utilize a specialized process that removes impurities during the freezing process. The result is crystal clear, gourmet ice that chills beverages perfectly and preserves their flavor. Marvel's ice machines produce 34 lbs. of ice cubes in 24 hours, and store up to 30 lbs. The stainless steel ice cutter sizes and shapes cubes that cool your beverage quicker while taking less room in your glass.

We've also engineered our Clear Ice Machines to be extremely quiet and dependable. Our newly designed drain pump reduces startup and operational noise, and our sound buffering ice deflector makes Marvel the quietest ice maker on the market.



15" Indoor Clear Ice Machine

Model No: 30iMT-BS-F-R

- Stainless steel ice cutter for best-in-class clear ice with consistent cube size and shape
- High efficiency, low maintenance condenser design for built-in (zero clearance) installations
- Produces up to 34 lbs. and stores 30 lbs. of clear ice cubes in 24 hours (ice scoop included)
- Equipped with cleaning mode
- Low noise ice deflector reduces cube impact noise
- Full length designer handle
- Door available in solid stainless steel, black, white, or solid overlay
- "Close Door Assist" hinging system
- Available with factory-installed drain pump at additional cost - Model No: 30iMT-BS-F-R-P
- 33 3/4" minimum H x 14 7/8" W x 23 5/8" D
- Height adjustment up to 1" with leveling legs
- Specify right or left hand door swing when ordering



Marvel Clear Ice Machines remove impurities for crystal clear gourmet cubes. your beverages will taste the way they were intended to taste.



15" Indoor Counter Top Crescent Ice Machine

Model No: 15iM-BS-F-R

- Produces up to 12 lbs. and stores up to 15 lbs. of crescent cubes
- Removable ice bucket
- Manual defrost
- No drain required
- 24 1/8" H x 14 7/8" W x 21 25/32" D
- Door available in solid stainless steel, black, and white
- Specify right or left hand door swing when ordering



15" Indoor Undercounter Crescent Ice Machine

Model No: 25iM-BS-F-R

- Produces up to 12 lbs. and stores up to 15 lbs. of crescent cubes
- Removable ice bucket
- Manual defrost
- No drain required
- 33 3/4" minimum H x 14 7/8" W x 21 25/32" D
- Door available in solid stainless steel, black, white and solid overlay
- Height adjustment up to 1" with leveling legs
- Specify right or left hand door swing when ordering



Entertain in style with a ready supply of sparkling crescent ice

BEER DISPENSERS

Keep your kegs frosty cold with our flexible and durable beer dispensers. The exclusive Marvel shelf design holds half, quarter, or two 1/6 barrel kegs, and converts to a full refrigerator when you aren't storing kegs or frosted mugs.

Marvel Beer Dispensers include all necessary tapping equipment – draft tower, hoses, 5 lb. CO₂ tank and regulator, drip tray, and interior floor shield to protect the inside liner. Choose between solid stainless steel, black, or wood overlay doors to unify your kitchen or entertainment room décor.



24" Indoor Draft Beer Dispenser

Model No: 61HK-BS-Single Tap

Model No: 61HKT-BS-Twin Tap

- Temperature range between 33° and 52° F
- Two removable stow-on-board metal shelves
- Stores half, quarter, or 1/6 barrel kegs
- Exclusive shelf design converts to full refrigerator
- "Close Door Assist" hinging system for efficiency and temperature control
- Automatic defrost
- Stainless steel tower can be mounted on any countertop
- 33 3/4" minimum H x 23 7/8" W x 24 1/16" D
- Height adjustment up to 1" with leveling legs
- Door available in solid stainless steel, black, and solid overlay (Twin tap model doors available in stainless steel or overlay, right hand hinge only)
- Specify right or left hand door swing when ordering
- Optional accessory items include:
 - o Twin tap kit for use with two 1/6 barrel kegs - Part No. 42249027. Kit includes twin tap tower, two air lines with couplers, and one dual-gauge regulator.
 - o 5 lb. CO₂ tank – Part No. 42249028
 - o Built in drain system – Part No. 42242374
 - o Tap cleaning kit – Part No. 42242373
 - o Casters for free-standing use, set of four – Part No. 42244014



ADA SERIES UNDERCOUNTER REFRIGERATION



ADA Refrigerator

Model No: 6ADAM-BS-F-R

- Temperature range between 33° and 45° F
- 24" wide and 32" high
- 5.4 cubic ft.
- Holds 120 12 oz. canned beverages (150 stacked)
- Split top shelf design allows easy access to canned beverages on the left and large or opened bottle storage on the right
- Two pull-out white wire shelves with safety stops
- Full auto defrost
- 31 1/8" minimum H x 23 7/8" W x 24 1/16" D
- Height adjustment up to 1" with leveling legs
- Specify right or left hand door swing when ordering
- Door available in solid stainless steel, black, white and solid overlay



ADA Ice Machine

Model No: 30iMAT-BS-F-R

- 15" wide and 32" high
- Stainless steel ice cutter for best-in-class clear ice with consistent cube size and shape
- High efficiency, low maintenance condenser design for built-in (zero clearance) installation
- Produces and stores up to 30 lbs. of clear ice cubes in 24 hours (ice scoop included)
- Automatic defrost
- Equipped with cleaning mode
- Low noise ice deflector reduces cube impact noise
- Full length designer handle
- Solid stainless steel door front
- "Close Door Assist" hinging system
- Available with factory-installed drain pump
- 33 1/8" minimum H x 14 7/8" W x 23 5/8" D
- Height adjustment up to 1" with leveling legs
- Specify right or left hand door swing when ordering
- Door available in solid stainless steel, black, white and solid overlay

Marvel provides refrigerators and ice machines sized to easily mount into undercounter openings only 32 inches high, perfect for ADA-compliant installations (Americans with Disabilities Act), universal design applications, and areas with limited space.



Marvel ADA Refrigerator controls are positioned for easy horizontal and vertical reach access.

ADA Series Designer Door Options:

- Black cabinet, stainless steel solid door
- Black cabinet, black solid door
- Black cabinet, overlay solid door
- White cabinet, white solid door
- White cabinet, overlay solid door

STACKING COMBINATION UNITS

Combine wine cellars and refrigerated drawer units to make the most of your entertainment space. By combining two wine cellars you can store up to 90 bottles between 40° and 65° F – use one cellar for whites, and the other for reds to keep your collection at the perfect temperature. Or stack a wine cellar above a refrigerated drawer for convenient access to wine, beverages, and fresh food items. It's the ultimate in convenience and style.





66WCM

Model No: 66WCM-BS-G-R

Specifications apply to both top and bottom units

- 90 bottle capacity (45 each)
- Accommodates Magnum bottle storage
- Four slide-out wine racks with 1 1/4" maple shelf fronts
- One inclined display
- One 6- bottle wine cradle
- Incandescent interior display lighting
- Cool blue LED temperature control display
- Audible and visual alarms for door ajar and high/low temperature
- Door available in stainless steel framed glass, black framed glass, overlay framed glass, or solid overlay
- "Close Door Assist" hinging system
- Full length designer handle
- Temperature from 40° to 65° F
- Specify right or left hand door swing when ordering

Total unit height is 67 1/2" maximum; 23 7/8" W x 24 1/16" D



66WDM

Model No: 66WDM-BS-G-R

Top Unit – Wine Cellar

- 45 bottle capacity
- Accommodates Magnum bottle storage
- Four slide-out wine racks with 1 1/4" maple shelf fronts
- One inclined display
- One 6- bottle wine cradle
- Incandescent interior display lighting
- Cool blue LED temperature control display
- Audible and visual alarms for door ajar and high/low temperature
- Door available in stainless steel framed glass, black framed glass, overlay framed glass, or solid overlay
- "Close Door Assist" hinging system
- Full length designer handle
- Temperature from 40° to 65° F
- Height adjustment up to 1" with leveling legs
- Specify right or left hand door swing when ordering

Bottom Unit – Refrigerated Drawer

- Stores 144 12 oz. cans
- Temperature range between 34° and 42° F
- Drawer fronts available in solid stainless steel, overlay panel, or designer colors See page 27
- "E-Z" Storage system and adjustable drawer dividers also available
- Full-width designer handles
- Audible and visual alarms for door ajar and high/low temperature
- Self-closing drawer glides prevent drawer bounce back
- Bright white daylight LED interior lighting
- Cool blue LED temperature control display
- Specify right or left hand door swing when ordering

Total unit height is 67 1/2" maximum; 23 7/8" W x 24 1/16" D



SPECIFICATIONS

	WINE CELLARS				BEVERAGE CENTERS				REFRIGERATED DRAWERS	
	15" 30WCM	24" 61WCM	24" Dual Zone 6SDZE	30" 8SWCE	Refrigerator/ Bev Center 6GARM	15" 3BARM	24" 6BARM	30" 8SBARE	24" 60RDE	30" 80RDE
CABINET DIMENSIONS										
Height †	33 3/4"	33 3/4"	33 7/8"	33 3/4"	33 7/8"	33 3/4"	33 3/4"	33 3/4"	33 3/4"	33 3/4"
Width	14 7/8"	23 7/8"	23 7/8"	29 7/8"	23 7/8"	14 7/8"	23 7/8"	29 7/8"	23 7/8"	29 7/8"
Depth +	23 9/32"	24 1/16"	23 5/8"	24 1/16"	23 5/8"	23 9/32"	24 1/16"	23 5/8"	24 1/4"	24 1/4"
TEMP. RANGE										
Refrigerator	–	–	–	–	35°- 43° F	–	–	–	34°- 42° F	33°- 47° F
Freezer	–	–	–	–	–	–	–	–	–	–
Beverage Section	–	–	–	–	–	40°- 65° F	39°- 65° F	40°- 65° F	–	–
Wine Section	40°- 65° F	40°- 65° F	40°- 65° F	40°- 65° F	–	–	–	–	–	–
Ice Compartment	–	–	–	–	–	–	–	–	–	–
STORAGE CAPACITY										
Refrigerator (cu. ft.)	–	–	–	–	5.64	–	–	–	6.08	7.74
Freezer (cu. ft.)	–	–	–	–	–	–	–	–	–	–
Ice Storage (lbs)	–	–	–	–	–	–	–	–	–	–
Ice Production/Day (lbs)	–	–	–	–	–	–	–	–	–	–
Wine Bottles	23	45	44	68	6	3	14	18	–	–
Beverage (12 oz.)	–	–	–	–	95	60	103	144	144	198
FEATURES/OPTIONS										
Accepts Door Overlay	•	•	•	•	•	•	•	•	Solid Only	Solid Only
Door Lock	Optional	Optional	Optional	–	Optional	–	–	–	–	–
Leveling Legs	•	•	•	•	•	•	•	•	•	•
Removable Glass Inserts	–	–	–	–	•	–	•	–	–	–
Shelf Style	Slide Out	Slide Out	Slide Out	Slide Out	Cantilever	Slide Out	Fixed	Slide Out	–	–
Interior Lighting	White Inc.	White Inc.	White LED	White Inc.	White Inc.	White Inc.	White Inc.	White Inc.	White LED	White LED
Cooling Technology	Convection	Convection	Dynamic	Convection	Dynamic	Convection	Convection	Convection	Dynamic	Convection
Door Shelves	–	–	–	–	–	–	–	–	–	–
Door Swing Options	L or R	L or R	L or R	L or R	L or R	L or R	L or R	L or R	–	–
Electronic Controls	•	•	•	•	•	•	•	•	•	•
Sabbath Mode	–	–	–	•	–	–	–	•	•	•

- Standard
- Not Available
- † Adjustable height up to 1" with leveling legs.
- + Depth to face of door. Add 1 5/16" for handle. Depth does not apply to overlay doors.

† Pounds of ice will vary depending on usage.

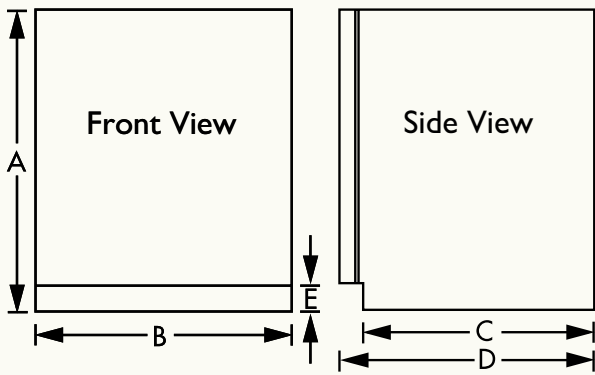
REFRIGERATORS			REFRIGERATOR/ FREEZER		BEER DISPENSERS	STACKING COMBINATION UNITS		ICE MACHINES		
15" 30ARM	24" 6ARM	24" 61ARM	24" 61RF	30" 80RF	61HK/ 61HKT	WINE CELLAR/ WINE CELLAR 66WCM	WINE CELLAR/ DRAWER 66WDM	15" 15iM	15" 25iM	30iMT
33 3/4"	33 7/8"	33 7/8"	33 3/4"	33 3/4"	33 3/4"	67 1/2"	67 1/2"	24 1/8"	33 3/4"	33 3/4"
14 7/8"	23 7/8"	23 7/8"	23 7/8"	29 7/8"	23 7/8"	23 7/8"	23 7/8"	14 7/8"	14 7/8"	14 7/8"
23 9/32"	23 9/16"	24 1/16"	24 1/16"	24 1/16"	24 1/16"	24 1/16"	24 1/16"	21 25/32"	21 25/32"	23 5/8"
33°- 45° F	35°- 43° F	33°- 45° F	33°- 52° F	33°- 45° F	33°- 52° F	–	34°- 42° F	–	–	–
–	–	–	6°- 25° F	8°- 24° F	–	–	–	–	–	–
–	–	–	–	–	–	–	–	–	–	–
–	–	–	–	–	–	40°- 65° F	40°- 65° F	–	–	–
–	–	–	–	–	–	–	–	33°- 35° F	33°- 35° F	33°- 35° F
2.90	5.29	5.93	4.43	5.69	6.54	–	–	–	–	–
–	–	–	1.42	1.47	–	–	–	–	–	–
–	–	–	–	–	–	–	–	15	15	30
–	–	–	–	–	–	–	–	12	12	Up to 34
–	–	–	–	–	–	90	45	–	–	–
–	–	–	–	–	–	–	–	–	–	–
Solid Only	–	Solid Only	Solid Only	–	Solid Only	•	•	–	Solid Only	Solid Only
–	Optional	–	–	–	Optional	–	–	–	–	–
•	•	•	•	•	•	•	•	•	•	•
•	•	–	–	–	–	–	–	–	–	–
Slide Out	Cantilever	Wire Fixed	Wire Fixed	Sliding Glass	Fixed	Slide Out	Slide Out	–	–	–
White Inc.	White Inc.	White Inc.	White Inc.	White Inc.	–	White Inc.	White Inc./ White LED	–	–	–
Convection	Dynamic	Convection	Convection	Convection	Convection	Convection	Convection	Convection	Convection	Convection
3	3	3	3	3						
L or R	L or R	L or R	L or R	L or R	L or R	L or R	L or R	L or R	L or R	L or R
•	•	•	–	–	–	•	•	–	–	–
–	–	–	–	–	–	–	–	–	–	–

* Ice Machine available with factory installed pump.

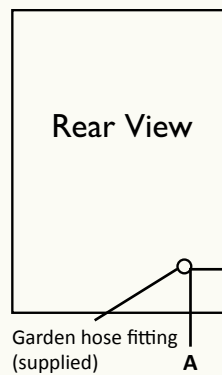
INSTALLATION SPECIFICATIONS

Model	EXTERIOR CABINET DIMENSIONS					FINISHED ROUGH OPENING DIMENSIONS			HEIGHT WITH LEVELING LEGS INSTALLED	MIN DOOR CLEARANCE REQUIRED
	A Height	B Width	C Depth without door	D* Depth with door less handle	E Toe kick	F Height	G Width	H† Minimum depth	I	J
Wine Cellars										
30WCM	33 3/4"	14 7/8"	21 3/16"	23 9/32"	3"	34 1/2"	15"	24"	33 3/4" – 34 3/4"	16 3/8" ‡
61WCM	33 3/4"	23 7/8"	22"	24 1/16"	3"	34 1/2"	24"	24"	33 3/4" – 34 3/4"	25 1/2" ‡
6SDZE	33 7/8"	23 7/8"	22"	23 5/8"	3"	34 1/2"	24"	24"	33 7/8" – 34 3/4"	25 1/2" ‡
8SWCE	33 3/4"	29 7/8"	22"	24 1/16"	3"	34 1/2"	30"	24"	33 3/4" – 34 3/4"	31 1/4" ‡
Beverage Centers										
3BARM	33 3/4"	14 7/8"	21 3/16"	23 9/32"	3"	34 1/2"	15"	24"	33 3/4" – 34 3/4"	16 3/8" °
6GARM	33 7/8"	23 7/8"	22"	23 5/8"	3"	34 5/8"	24"	24"	33 7/8" – 34 3/4"	25 1/2"
6BARM	33 3/4"	23 7/8"	22"	24 1/16"	3"	34 1/2"	24"	24"	33 3/4" – 34 3/4"	25 1/2" ‡
8SBARE	33 3/4"	29 7/8"	22"	24 1/16"	3"	34 1/2"	30"	24"	33 3/4" – 34 3/4"	31 1/4" ‡
Refrigerated Drawers										
60RDE	33 3/4"	23 7/8"	22"	24 1/4"	3"	34 1/2"	24"	24"	33 3/4" – 34 3/4"	28"
80RDE	33 3/4"	29 7/8"	22"	24 1/4"	3"	34 1/2"	30"	24"	33 3/4" – 34 3/4"	28"
Refrigerators										
30ARM	33 3/4"	14 7/8"	21 3/16"	23 9/32"	3"	34 1/2"	15"	24"	33 3/4" – 34 3/4"	16 3/8"
6ARM	33 7/8"	23 7/8"	21 1/2"	23 9/16"	3"	34 1/2"	24"	24"	33 7/8" – 34 3/4"	25 1/2"
61ARM	33 3/4"	23 7/8"	22"	24 1/16"	3"	34 1/2"	24"	24"	33 3/4" – 34 3/4"	25 1/2"
Refrigerator/Freezer										
61RF	33 3/4"	23 7/8"	22"	24 1/16"	3"	34 1/2"	24"	24"	33 3/4" – 34 3/4"	25 1/2"
80RF	33 3/4"	29 7/8"	22"	24 1/16"	3"	34 1/2"	30"	24"	33 3/4" – 34 3/4"	31 1/4"
Beer Dispensers										
61HK	33 3/4" °	23 7/8"	22"	24 1/16"	3"	34 1/2"	24"	24"	33 3/4" – 34 3/4"	25 1/2"
Stacking Combination Units										
66WCM	67 1/2"	23 7/8"	22"	24 1/16"	3"	68"	24 1/2"	24"	68" – 68 1/2"	25 1/2"
66WDM	67 1/2"	23 7/8"	22"	24 1/16"	3"	68"	24 1/2"	24"	68" – 68 1/2"	25 1/2"
Stacking Combination Units										
15iM	24 1/8"	14 7/8"	19 3/4"	21 25/32"	3 3/4"	24 5/8"	15"	24"*	24 1/8" – 25"	16 3/8"
25iM	33 3/4"	14 7/8"	19 23/32"	21 25/32"	3"	34 1/2"	15"	24"*	33 3/4" – 34 3/4"	16 3/8"
30iMT	33 3/4"	14 7/8"	21 1/2"	23 5/8"	3"	34 1/2"	15"	24"*	33 3/4" – 34 3/4"	16 3/8"
* To determine depth including handle, add: 2 1/8" for bar handle ° Add clearance of 18" above countertop for beer tower † Depth does not allow for electrical plug. See electrical requirements at right for location of plug ‡ Wine racks may be extended at 90° door opening ° Wine rack may be extended at 135° door opening						Electrical Requirements - All undercounter models: 115 volts, 3 amps running max. 15 amp circuit required. All 68 1/8" models: 115 volts, 7 amps running max, 20 amp circute required For above models, locate a three-prong grounded receptacle in one of three locations: 1 On the wall int he adjacent cabinet opening, 2 Flush on the back wall of the refrigerator opening (add 1" to the overall depth of the unit to accomodate the thickness of the plug, or 3 recessed 1" into the back wall of the refrigerator opening.				

EXTERIOR CABINET DIMENSIONS



EXTERIOR CABINET DIMENSIONS

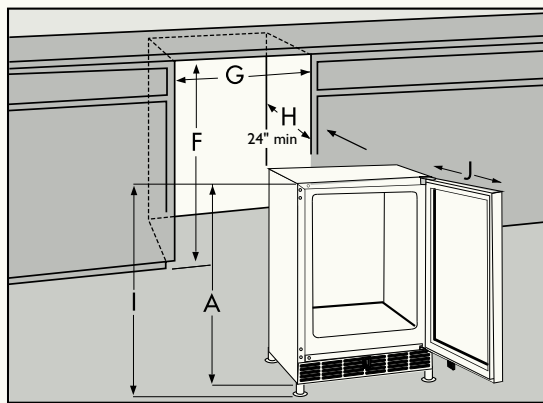


If water line is connected directly behind the ice machine, allow an additional 2" clearance for models 15iM, 25iM, 30iM, 30iMA and 30iM-SS-F.

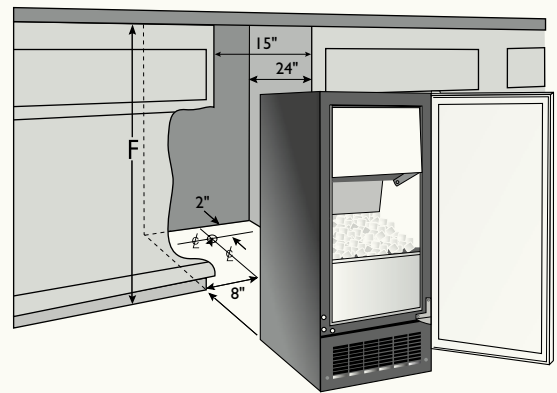
Model	A	B
15iM, 25iM	3 3/4"	3 15/16"
30iMT, 30iMAT, 30iMT-SS-F	5 7/16"	2 3/16"

Water Pressure required: 20-100 PSI

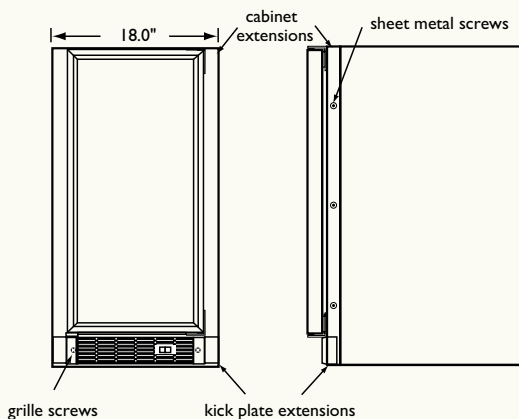
FINISHED ROUGH OPENING DIMENSIONS



FINISHED ROUGH OPENING DIMENSIONS



FILLER KIT FOR 15" WIDE MODELS 30WCM, 3BARM, 30iMT, 30iMT-SS-F, 25iM, 30AR & 30AR-SS-F



For installation of 15" wide models into 18" openings. Kit includes two fabricated steel filler panels for installation on each side of refrigerator or ice machine cabinet to adapt to 18" wide opening.

Colors:

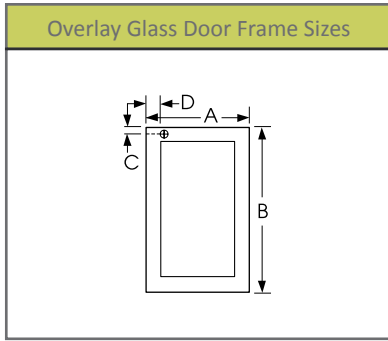
- White, Order Part #42242831
- Black, Order Part #42242832
- Stainless Steel, Order Part #42242833

The information presented herein is based on the best data available and is believed to be correct. However, nothing stated herein is to be taken as warranty, expressed or implied, regarding the accuracy of the information or the use of our product or products. Specifications are subject to change without notice.

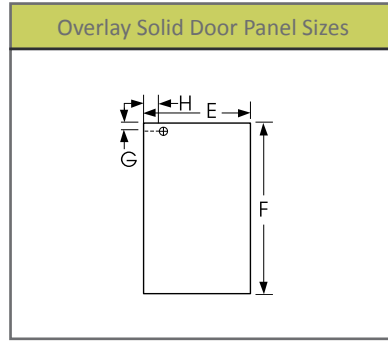


/ CSA Listed

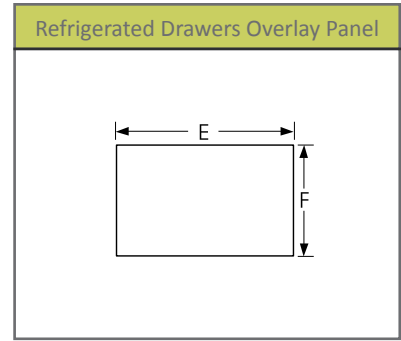
OVERLAY PANEL SPECIFICATIONS



Minimum width of rails/stiles is 1 3/4".
 Minimum thickness of rails/stiles is 5/8".
 Maximum thickness of rails/stiles is 3/4".
 Dimensions C and D are for doors with locks installed. It will be necessary to drill a hole in the overlay door frame, corresponding to the lock location, prior to assembly.
 Hole diameter through overlay frame should be 15/32" with a 13/16" counterbore from back side of panel, 7/16" deep.



Doors accept flat or raised panels.
 Maximum weight is 20 lbs.
 Minimum thickness is 5/8".
 Maximum thickness is 3/4".
 Dimensions G and H are for doors with locks installed. It will be necessary to drill a hole in the overlay panel, corresponding to the lock location, prior to assembly. Hole diameter through overlay frame should be 15/32" with a 13/16" counterbore from back side of panel, 7/16" deep.



Two panels required, one for each drawer.
 Drawers accept flat or raised panels.
 Maximum weight is 20 lbs.
 Minimum thickness is 5/8".
 Maximum thickness is 3/4".

Model	Overlay Glass Frame		Overlay Glass Frame with Lock		Overlay Solid Door		Overlay Solid Door with Lock	
	A	B	C	D	E	F	G	H
Wine Cellars								
30WCM	14 15/16"	30 5/16"	15/32"	3 7/16"	14 3/4"	30 5/16"	7/16"	3 7/16"
61WCM	23 7/16"	30 5/16"	15/32"	3 7/16"	23 3/4"	30 5/16"	7/16"	3 7/16"
6SDZE	23 7/16"	30 5/16"	15/32"	3 7/16"	—	—	—	—
8SWCE	29 7/16"	30 5/16"	—	—	—	—	—	—
Beverage Centers								
3BARM	14 15/16"	30 5/16"	15/32"	3 7/16"	14 3/4"	30 5/16"	7/16"	3 7/16"
6GARM	23 5/8"	30"	15/32"	3 7/16"	23 5/8"	30 3/8"	—	—
6BARM	23 7/16"	30 5/16"	15/32"	3 7/16"	23 3/4"*	30 5/16"	7/16"	3 7/16"
8SBARE	29 7/16"	30 5/16"	—	—	—	—	—	—
Refrigerated Drawers								
60RDE	—	—	—	—	23 5/8"	15 3/16"	—	—
80RDE	—	—	—	—	29 5/8"	15 3/16"	—	—
Refrigerators								
30ARM	—	—	—	—	14 3/4"	30 5/16"	7/16"	3 7/16"
6ARM	—	—	—	—	23 3/4"	30 5/16"	7/16"	3 7/16"
61ARM	—	—	—	—	23 3/4"	30 5/16"	7/16"	3 7/16"
Refrigerator/Freezer								
61RF	—	—	—	—	23 3/4"	30 5/16"	7/16"	3 7/16"
80RF	—	—	—	—	—	—	—	—
Beer Dispensers								
61HK	—	—	—	—	23 3/4"	30 5/16"	7/16"	3 7/16"
Ice Machines								
15iM	—	—	—	—	—	—	—	—
25iM	—	—	—	—	14 3/4"	30 5/16"	—	—
30iMT	—	—	—	—	14 3/4"	30 5/16"	—	—

OPTIONAL ACCESSORIES

Humidrawer™ Cigar Compartment

Marvel's HumiDrawer™ is handcrafted of rich walnut and lined with aromatic, untreated Spanish cedar, recommended for fine cigar storage. Smooth Spanish cedar dividers are adjustable into four compartments to accommodate cigars from five to eight inches in length. Humidification system is discreetly located. Built-in closure solidly seals the chamber. Designed exclusively to fit Marvel's models 61WCM and 66WCM



Drawer Divider

Stainless steel drawer dividers neatly hold food and beverages in place, including vertical 2-liter bottles, gallon containers and wine bottles. Drawer dividers are fully adjustable for optimum storage and organization. 80RDE lower divider has an additional sliding cross-piece to maximize use of the supersized lower drawer. Note: Requires removal of factory installed divider. Available for models 60RDE and 60RDE-SS-F.



EZ Stor Storage System

Marvel's E-Z Stor System is a European style organization system keeping food fresh while separating odors and flavors. The containers and lids are fully dishwasher safe and the stainless steel bins are easily removed to accompany the chef to prep, cooking and serving areas. Clear plastic lids allow you to see contents easily. System includes four small containers, one large container, lids, and two bins. Requires removal of factory installed divider. Available for models 60RDE and 60RDE-SS-F.



Shown with three small containers. Shown with one large and one small container.

CUSTOMIZE WITH COLOR



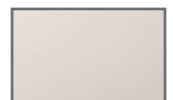
Marvel undercounter refrigerator 6GARM models and refrigerated drawer 60RDE models can be ordered in designer colors to match our selected AGA ranges, refrigerators, and dishwashers. Visit www.aga-ranges.com for more information about AGA appliance suites.



Black



Cranberry



Ivory



White



Stainless Steel

MORE PREMIUM PRODUCTS FROM THE EXPERTS IN UNDERCOUNTER REFRIGERATION

The perfect choice for professional-style kitchens.

Marvel Professional Series

Our new line of premium, professional –style undercounter products is the result of 120 years of leadership in the refrigeration market. Striking stainless steel shelf fronts, toe kicks, and full length pro-style handles match perfectly with today’s professional-style ranges and dishwashers. Glass door models feature a soft blue interior accent light for a subtle and unique presentation of your wines and beverages. When you see our flawless fit and finish, and feel our smooth, solid mechanics, you’ll agree that the Marvel Professional Series is “engineered for enjoyment.”

- Wine Cellars
- Beverage Centers
- All Refrigerators
- Refrigerated Drawers
- Ice Machines
- Stacked Combination Units





Enjoy the elements.

Marvel Outdoor Series

Make the great outdoors even better with our new line of outdoor refrigeration products. Professional-style handles and stainless steel toe kicks add elegant yet rugged distinction perfect for outdoor living. Flexible shelving options give you total adjustability, and advanced cooling systems keep your beverages and food at the perfect temperatures. All are UL rated for outdoor use.

- Beer Dispensers
- All Refrigerators
- Refrigerated Drawers
- Ice Machines

A 300 YEAR HERITAGE OF EXCELLENCE AND INNOVATION

Marvel was founded in 1932, when the company began creating undercounter iceboxes. But as part of AGA Rangemaster, our history of creating premium appliances for the home dates back to 1709 and the start of the Industrial Revolution in our Coalbrookdale UK foundry. From the development of cast iron cookware, to the creation of the original AGA Cooker, to today's full line of premium refrigeration and cooking products, ours is a story of innovation and manufacturing excellence.

The timeline below highlights some important milestones in our history. Today, AGA Marvel continues to stay at the forefront of refrigeration technology, providing products for the home as well as for life sciences, the military, and sports arenas. In fact, the Marvel undercounter product you put in your kitchen is designed and tested to the same stringent specifications as the refrigerators we supply to leading hospitals and laboratories.

Marvel products are built in the USA in facilities that have earned ISO Quality Management, Environmental Management, and Occupational Health and Safety Management certifications. Trust Marvel for the finest in premium appliances.

1709

Innovative smelting process patented by Abraham Darby makes Coalbrookdale the birthplace of the Industrial Revolution



1830

The "Kitchener" range cooker is developed in Lemington Spa

1890's

Ranney ice box production begins in Greenville, MI



1922

First AGA cooker is developed by Swedish Nobel Prize Winner Gustaf Dalen

1932

Marvel was founded when the company began making undercounter ice boxes



1938

First Ranney combination ice and electric refrigerator is produced

1952

Marvel Introduces premium undercounter wine storage and beverage center



1965

Marvel's first foamed in place refrigerator is developed

2002

Northland unveils 72-inch wide built-in refrigerator/freezer combination, the world's largest capacity home use system



2008

A new 250,000 sq. ft. manufacturing facility is built in Greenville, MI

1991

Northland introduces the first stainless steel interior and glass door built-in refrigerator for residential use



2001

Marvel introduces industry first black interior for wine cellars and beverage centers

AGA MARVEL

2010

AGA Northland changes the company name to AGA Marvel



2012

AGA Marvel introduces the new AGA Total Control range cooker in North America

AGA MARVEL

Our Family of Premium Brands



United States

AGA MARVEL
1260 E Van Deinse Street
Greenville, MI 48838
800-223-3900

Canada

AGA MARVEL - SOFA Galleries
6900 Airport Road, Suite 205
Mississauga ON, L4V 1E8
855-213-2785

AGA MARVEL

www.agamarvel.com

© AGA MARVEL 2012, all rights reserved.
Printed 6/12 41012863 Rev. A

The information presented herein is based on the best data available at time of printing and is believed to be correct. However, nothing stated herein is to be taken as warranty, expressed or implied, regarding the accuracy of the information or the use of our product or products. Products might not appear exactly as shown in images. Specifications and product esthetics are subject to change without notice.