

2012 PRODUCT & DESIGN GUIDE



TABLE OF CONTENTS

DISHWASHERS

Key Selling Features.....	1
D5894XXLHS / D5894XXLFI.....	2
(Towel Bar Handle Configuration and Fully Integrated Configuration)	
D5654XXLHS / D5554XXLFI.....	3
(Towel Bar Handle Configuration and Fully Integrated Configuration)	
D5634XXLHS / D5534XXLFI.....	4
(Towel Bar Handle Configuration and Fully Integrated Configuration)	
D5434XXLS / D5434XXLW / D5434XXLB.....	5
(Award Winning Front Panel Configuration)	
D5624XXL.....	6
(Front Panel Configuration)	
D5524XXLFI.....	6
(Fully Integrated Configuration)	
D5634XLHS / D5534XLFI.....	7
(Towel Bar Handle Configuration and Fully Integrated Configuration)	
D5424XL.....	8
(Front Panel Configuration)	
D5954 Outdoor.....	9
Panel Ready Door Options.....	10
Dishwasher Accessories.....	11
EasyInstall Dishwashers.....	12

LAUNDRY: WASHERS

Key Selling Features.....	13
W6984FI.....	14
W6884 ECO.....	15
W6424.....	15

LAUNDRY: DRYERS

Key Selling Features.....	16
T794CFI / T794FI.....	17
T784.....	18
T754C / T754.....	18
DC7583 Drying Cabinet.....	19
Laundry Accessories.....	20

LAUNDRY: HIDDENHELPERS™

Ironing Board.....	21
Double Shelf.....	21
Laundry Care Basket.....	21

LAUNDRY: INDIVIDUAL DOORS

T-Bar Handles & Doors.....	22
----------------------------	----

PLANNING & DESIGN

DISHWASHERS

D5524XXLFI.....	23
D5534XXLFI.....	23
D5554XXLFI.....	23
D5894XXLFI.....	23
D5434XXL.....	24
D5624XXL.....	24
D5634XXLHS.....	24
D5654XXLHS.....	24
D5894XXLHS.....	24
D5424XL.....	25
D5534XLFI.....	25
D5634XLHS.....	25
D5954 Outdoor.....	26
Fitting the Custom Door Panel (4" Reveal).....	27
Fitting the Custom Door Panel (6" Reveal).....	28
XL / ADA Height Compliant Installations.....	29

LAUNDRY: WASHERS

W6984FI.....	30
W6884 ECO.....	31
W6424.....	32

LAUNDRY: DRYERS

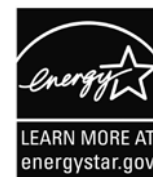
T794FI.....	33
T784.....	33
T754.....	33
T794CFI / T754C.....	34

STACKED PAIR/ DRYING CABINET INSTALLATIONS

W6984FI / T794FI, T794CFI, W6884 ECO / T784.....	35
W6424 / T754 / T754C.....	36
DC7583.....	37

CABINET/CLOSET INSTALLATIONS

Drying Cabinet with Stacked Cabinet Installations.....	37
Stacked Installations.....	38
Single Unit Installations.....	39
Side-by-Side Installations.....	40
FI Panels Installations.....	41
HiddenHelpers™ Installations....	42-43



DISHWASHERS

Key Selling Features | ■ Exclusive ASKO Features

- **Exclusive** – 2 Plus 1 Warranty provides up to 3 years parts and labor protection
- Environmental Certification - ASKO manufacturing practices are certified in accordance with ISO14001 Environmental Quality, which confirms the manufacturing of ASKO products world-wide are produced in the most environmentally sound manner. An example of this is all manufacturing components that weigh more than 50 grams are labeled for recycling
- The QuietSystem™ ensures our dishwashers operate as low as 44 dB(A) and never exceed 50 dB(A)
- EasyInstall™ system makes installations quicker and easier. Now with a rear foot that's adjustable from the front (select XXL models.)
- Middle rack with dedicated spray (select models)
- Anti-jam, auto-reversing drain pump reduces service calls
- 8Steel™ system – more 18:9 surgical quality stainless steel components than any other dishwasher (tank filters, spray arms, entire tank, inner door and guide rails)
- One-piece, sealed, galvanized-steel base pan
- AquaSafe™ containment system helps to prevent water damage
- Patented SuperCleaningSystem™ with self-cleaning triple filtration system produces sparkling results without pre-rinsing
- 7Spray™, 9Spray™, or 10Spray™ wash systems ensure that water reaches everywhere in the tank, corner to corner and top to bottom
- PowerZone™ Pots and Pans ensures that the toughest soil gets removed better than if done by hand
- PowerZone™ Cutlery thoroughly cleans everything in the cutlery basket
- PowerZone™ Plate concentrates directly on plates for clean, sparkling results with no pre-washing or rinsing
- AquaLevel™ sensor adds water automatically if a bowl or glass turns over and collects water
- SensiDry™ automatically controls drying using sophisticated sensors (D5894)
- Mix wash – Wash pots & pans in the lower rack and delicates in the upper rack at the same time (D5894)
- CoolTouch™ system cools dishes after the dry cycle (D5894)
- All models are Energy Star® rated using as little as 276 kWh annually
- Time Saver option reduces wash time for fast cleaning results (select models)
- Turbo Drying™ & Turbo Drying Express™ (D5654)
- Status light (select models)
- TouchProof™ Stainless Steel with a thin, clear coating that keeps fingerprints and smudges off the surface
- D5424XL, D5634XLHS and D5534XLFI are height adjustable from *32 ¼" – 34", and are ADA (Americans with Disabilities Act) height-compliant
- Every unit 100% factory tested
- In-line, hidden heating element. No risk of melting plastic items.
- Check valve prevents drain flowback
- Adjustable rinse agent dispenser with indicator
- Balanced door remains in whatever position is most convenient
- Adjustable toe kick to line up with cabinets (XXL models)
- Upper / Lower wash option allows you to wash either the upper or lower rack separately; ideal for small loads (select XXL models)
- End-of-program signal
- FlexiRacks™ hold up to 17 place settings
- Viscant™ coated racks with double-coated tine ends
- Deep upper rack holds salad plates and tall ice tea glasses as well as stemware (7 ½" – 9")
- Low water consumption, as low as 2.6 gallons in Quick wash
- FI model accepts a selection of Towel Bar TouchProof™ Stainless Steel or Curved handle design choices of TouchProof™ Stainless Steel, Black or White, Black glass with Stainless Steel or customer supplied wood panel
- XXLFI models accommodates a variety of toe kick reveals up to 6". Maximum reveal varies by available installation and door panel height.
- Lower rack holds up to 15 ¼" plates (select XXL models)
- Removable cutlery basket with cover on small items compartment
- Cutlery Plus basket can be placed in the upper rack or in another part of the lower rack for smaller cutlery items (D5894)
- Lower rack rolls completely out on to inner door for easy access
- Separate drain and circulation pumps and motors reduce noise and energy and water consumption
- KidSafe™ enables the ability to lock the control panel to restrict operation of the product
- cUL^{us} approved for safety



D5894XXLHS / D5894XXLFI

TOUCHPROOF™ STAINLESS STEEL / PANEL READY (FI)

	TOWEL BAR HANDLE CONFIGURATION	PANEL READY (FI) CONFIGURATION
COLORS	TouchProof™ Stainless Steel	Optional Panel*
SKUs	D5894XXLHS	D5894XXLFI

CAPACITY

Extra Tall Tub XXL: Industry's most usable space, **Exclusive** 17 place-setting with industry leading 15 ¼" clearance in lower rack, 7 ½" – 9" clearance in upper rack

PROGRAMS

Time, Daily, Heavy, Plastic, Normal, ECO, Mix, Upper wash, Lower wash, Delicate, Quick, Super Quick, Rinse & Dry, Rinse & Hold, Crockery / Plate warmer

PROGRAMMING OPTIONS

Tab option bypasses rinse aid dispenser, Time set, Time saver, ½ load function, SuperRinse™, CoolTouch™, 9 wash / rinse temperatures up to 160°, Delay start – 24 hr, End of program signal (adjustable), 11 languages

FLEXIRACKS™

Exclusive CutleryPlus™ basket, **Exclusive** – 4 racks & 7 basket storage system, Knife rack with dedicated wash system, **Exclusive** – Industry's Tallest Loading Height of 15 ¼", **Exclusive** height-adjustable upper rack, Middle rack with dedicated wash system, Fold-down stemware shelves (4), 5 row of glasses capacity, **Exclusive** lower rack with fold-down tines, Industry's most support rails in lower rack; built to last, Easy grip handles

CLEANING SYSTEM

DoublePowerZone™ Pots & Plates, PowerZone™ Cutlery, 10Spray™ Wash System, AquaLevel™ Sensor, SuperCleaningSystem™ (SCS), Self-cleaning Stainless Steel filters for 100% water filtration, Low water consumption – as low as 2.6 gallons in Quick wash

DRYING SYSTEM

Exclusive SensiDry™ Sensor, Turbo Drying Express™, 3 level drying

SIMPLICITY & COMFORT

CoolTouch™, LCD display, Status lights, EasyInstall™ Installation System with front-adjusting rear leg (water, electrical & drain lines connected), Quiet operation at 44 dB(A), Panel ready (FI) model accommodates a variety of toe kick reveals up to 7 ¾" (with owner supplied toe kick panel), Front-adjustable door springs (FI), Halogen interior light

SAFETY

AquaSafe™ water safety system with AquaDetect™ sensor, KidSafe™, SteamSafe™

HANDLE CHOICES

Towel Bar (HS - Stainless Steel), Panel ready (FI) model accommodates a selection of accessory door panel selections or customer supplied custom wood door panel, FI models offers option for 3 panel mounting

QUALITY

Exclusive 8Steel™ quality construction – more steel, less plastic, ISO9001 Quality Standard certified, ISO14001 Environmental Quality certified, 18:9 grade Stainless Steel wash tank, Spray arms & filters, Flow-thru heater system, One-piece base pan, Auto-reversing pump

WARRANTY

Exclusive 2 plus 1 Warranty provides three years parts & labor coverage, Toll free customer support



EXCLUSIVE - 4 Level Rack Design - 17 place setting



Middle rack removed



Right Basket Removed - 15 ¼" Height

**Panel installation instructions on pages 27-28.

D5654XXLHS / D5554XXLFI

TOUCHPROOF™ STAINLESS STEEL / PANEL READY (FI)

	TOWEL BAR HANDLE CONFIGURATION	PANEL READY (FI) CONFIGURATION
COLORS	TouchProof™ Stainless Steel	Optional Panel*
SKUs	D5654XXLHS	D5554XXLFI

CAPACITY

Extra Tall Tub XXL: Industry's most usable space, **Exclusive** 17 place-setting with industry leading 15 ¼" clearance in lower rack, 7 ½" – 9" clearance in upper rack

PROGRAMS

Daily, Time, ECO, Heavy, Normal, Delicate, Quick, Super Quick, Rinse & Hold, Mixed, Upper wash, Lower wash, Rinse & Dry

PROGRAMMING OPTIONS

Time saver, 7 wash / rinse temperatures up to 160°, Upper / Lower Wash, Delay start – 24 hr, End of program signal

FLEXIRACKS™

Exclusive 3 rack & 5 basket storage system, **Exclusive** Industry's Tallest Loading Height of 15 ¼", **Exclusive** height-adjustable upper rack, Middle rack with dedicated wash system, Fold-down stemware shelves (3), 5 row of glasses capacity, **Exclusive** lower rack with fold-down tines, Industry's most support rails in lower rack; built to last, Easy grip handles

CLEANING SYSTEM

DoublePowerZone™ Pots & Plates, PowerZone™ Cutlery, 10Spray™ Wash System, AquaLevel™ Sensor, SuperCleaningSystem™ (SCS), Self-cleaning Stainless Steel filters for 100% water filtration, Low water consumption – as low as 2.6 gallons in Quick wash

DRYING SYSTEM

Turbo Drying™

SIMPLICITY & COMFORT

EasyInstall™ Installation System with front-adjustable rear leg (water, electrical & drain lines connected), Front LED display (HS), Status light (FI), Quiet operation at 46 dB(A), Panel ready (FI) model accommodates a variety of toe kick reveals up to 7 ¾" (with owner supplied toe kick panel), Front-adjustable door springs (FI), Halogen interior light

SAFETY

AquaSafe™ water safety system with AquaDetect™ sensor, KidSafe™, SteamSafe™

HANDLE CHOICES

Towel Bar (HS - Stainless Steel), Panel ready (FI) model accommodates a selection of accessory door panel selections or customer supplied custom wood door panel, FI models offers option for 3 panel mounting

QUALITY

Exclusive 8Steel™ quality construction – more steel, less plastic, ISO9001 Quality Standard certified, ISO14001 Environmental Quality certified, 18:9 grade Stainless Steel wash tank, Spray arms & filters, Flow-thru heater system, One-piece base pan, Auto-reversing pump – anti-jam technology



D5654XXLHS



D5554XXLFI

*Panel installation instructions on pages 27-28.

D5634XXLHS / D5534XXLFI

TOUCHPROOF™ STAINLESS STEEL / PANEL READY (FI)

TOWEL BAR HANDLE CONFIGURATION	PANEL READY (FI) CONFIGURATION
COLORS TouchProof™ Stainless Steel	Optional Panel*
SKUs D5634XXLHS	D5534XXLFI

CAPACITY

Extra Tall Tub XXL: 14 place-setting with industry leading 13 ¾" clearance in lower rack, 9" clearance in upper rack

PROGRAMS

Daily, Heavy, Normal, Delicate, ECO, Quick, Super Quick, Rinse & Hold, Rinse & Dry

PROGRAMMING OPTIONS

7 wash / rinse temperatures up to 160°, Delay start – 24 hr, End of program signal

FLEXIRACKS™

Premium upper, Fold-down stemware shelves (3), Exclusive lower rack with fold-down tines to accommodate various dishes, Industry's most support rails in lower rack; built to last, Easy grip handles

CLEANING SYSTEM

PowerZone™ Pots & Pans, PowerZone™ Cutlery, 7Spray™ Wash System, SuperCleaningSystem™ (SCS), Self-cleaning Stainless Steel filters for 100% water filtration, Dual pump & motor system, Low water consumption – as low as 2.6 gallons in Quick wash

DRYING SYSTEM

Turbo Drying™

SIMPLICITY & COMFORT

Hidden control, Front LED display, EasyInstall™ Installation System (water, electrical & drain lines connected), Quiet operation at 48 dB(A), Panel ready (FI) model accommodates a variety of toe kick reveals up to 7 ¾" (with owner supplied toe kick panel)

SAFETY

AquaSafe™ water safety system with AquaDetect™ sensor, KidSafe™, SteamSafe™

HANDLE CHOICES

Towel Bar (HS - Stainless Steel), Panel ready (FI) model accommodates a selection of accessory door panel selections or customer supplied custom wood door panel, FI models offers option for 3 panel mounting

QUALITY

Exclusive 8Steel™ quality construction – more steel, less plastic, ISO9001 Quality Standard certified, ISO14001 Environmental Quality certified, 18:9 grade Stainless Steel wash tank, Spray arms & filters, Flow-thru heater system, One-piece base pan, Auto-reversing pump – anti-jam technology

WARRANTY

Exclusive 2 plus 1 Warranty provides three years parts & labor coverage, Toll free customer support



D5634XXLHS



D5534XXLFI

**Panel installation instructions on pages 27-28.

D5434XXLS / D5434XXLW / D5434XXLB

AWARD WINNING FRONT PANEL CONFIGURATION

COLORS TouchProof™ Stainless Steel	White	Black
SKU s	D5434XXLS	D5434XXLB

CAPACITY

Extra Tall Tub XXL: 14 place-setting with 13 ¾" clearance in lower rack, 9" clearance in upper rack

PROGRAMS

Daily, Heavy, Normal, ECO / Delicate, Quick, Rinse & Hold

PROGRAMMING OPTIONS

6 wash / rinse temperatures up to 160°, Delay start – 24 hr, End of Program signal

FLEXIRACKS™

Premium upper rack, Fold-down stemware shelves (2), Fixed glass support rail, Exclusive lower rack with fold-down tines to accommodate various dishes, plates, bowls, pots and cooking utensils, Industry's most support rails in lower rack; built to last, Easy grip handles

CLEANING SYSTEM

PowerZone™ Pots & Pans, PowerZone™ Cutlery, 7Spray™ Wash System, SuperCleaningSystem™ (SCS), Self-cleaning Stainless Steel filters for 100% water filtration, dual pump & motor system, Low water consumption – as low as 2.6 gallons in Quick wash

DRYING SYSTEM

Turbo Drying™

SIMPLICITY & COMFORT

Award winning LCD front control, LED display, EasyInstall™ Installation System (water, electrical & drain lines connected), Quiet operation at 48 dB(A)

SAFETY

AquaSafe™ water safety system with AquaDetect™ sensor, KidSafe™, SteamSafe™

QUALITY

Exclusive 8Steel™ quality construction – more steel, less plastic, ISO9001 Quality Standard certified, ISO14001 Environmental Quality certified, 18:9 grade Stainless Steel wash tank, spray arms & filters, Flow-thru heater system, One-piece base pan, Auto-reversing pump – anti-jam technology

WARRANTY

Exclusive 2 plus 1 Warranty provides three years parts & labor coverage, Toll free customer support



D5434XXLW



D5434XXLB



D5434XXLS

D5624XXL

HIDDEN CONTROL CONFIGURATION

COLOR TouchProof™ Stainless Steel

SKU D5624XXLS



D5624XXLS



D5624XXLS Control

CAPACITY

Extra Tall Tub XXL: 14 place-setting with industry leading 13 ¾" clearance in lower rack, 9" clearance in upper rack

PROGRAMS

Heavy, Normal, Daily, ECO, Quick, Super Quick, Delicate Rinse & Hold, Rinse & Dry

PROGRAMMING OPTIONS

7 wash / rinse temperatures up to 160°

FLEXIRACKS™

Standard upper & premium lower racks, High-side design to protect dishware stemware shelf

CLEANING SYSTEM

PowerZone™ Pots & Pans, PowerZone™ Cutlery, 7Spray™ Wash System, SuperCleaningSystem™ (SCS), self-cleaning Stainless Steel filters for 100% water filtration, Low water consumption – as low as 2.6 gallons in Quick wash

DRYING SYSTEM

Condensation dry

SIMPLICITY & COMFORT

Hidden LCD control, Cycle countdown, Time set, EasyInstall™ Installation System (water, electrical & drain lines connected), Quiet operation at 50 dB(A)

SAFETY

AquaSafe™ water safety system with AquaDetect™ sensor, KidSafe™, SteamSafe™

HANDLE CHOICES

Integrated

QUALITY

Exclusive 8Steel™ quality construction – more steel, less plastic, ISO9001 Quality Standard certified, ISO14001 Environmental Quality certified, 18:9 grade Stainless Steel wash tank, Spray arms & filters, Flow-thru heater system, One-piece base pan, Auto-reversing pump – anti-jam technology

WARRANTY

Exclusive 2 plus 1 Warranty provides three years parts & labor coverage, Toll free customer support

D5524XXLFI

HIDDEN CONTROL CONFIGURATION

COLOR TouchProof™ Stainless Steel

SKU D5524XXLFI



D5524XXLFI



D5524XXLFI Control

CAPACITY

Extra Tall Tub XXL: 14 place-setting with industry leading 13 ¾" clearance in lower rack, 9" clearance in upper rack

PROGRAMS

Heavy, Normal, Daily, ECO, Quick, Super Quick, Delicate, Rinse & Hold, Rinse & Dry

PROGRAMMING OPTIONS

7 wash / rinse temperatures up to 160°

FLEXIRACKS™

Standard upper & premium lower racks, High-side design to protect dishware stemware shelf

CLEANING SYSTEM

PowerZone™ Pots & Pans, PowerZone™ Cutlery, 7Spray™ Wash System, SuperCleaningSystem™ (SCS), Self-cleaning Stainless Steel filters for 100% water filtration, Low water consumption – as low as 2.6 gallons in Quick wash

DRYING SYSTEM

Condensation dry

SIMPLICITY & COMFORT

Hidden LCD control, EasyInstall™ Installation System (water, electrical & drain lines connected), Quiet operation at 50 dB(A), Panel ready (FI) model accommodates a variety of toe kick reveals up to 4" (with owner supplied toe kick panel)

SAFETY

AquaSafe™ water safety system with AquaDetect™ sensor, KidSafe™, SteamSafe™

HANDLE CHOICES

Integrated

QUALITY

Exclusive 8Steel™ quality construction – more steel, less plastic, ISO9001 Quality Standard certified, ISO14001 Environmental Quality certified, 18:9 grade Stainless Steel wash tank, Spray arms & filters, Flow-thru heater system, One-piece base pan, Auto-reversing pump – anti-jam technology

WARRANTY

Exclusive 2 plus 1 Warranty provides three years parts & labor coverage, Toll free customer support

XL TALL TUB

ASKO D5000XL Tall Tub series dishwashers provide the installation solutions to adapt to American Disability Act height compliance requirements and remodeler's raised sub floor installations. This series provides the capacity and convenience of an industry standard tall tub dishwasher with the flexibility of a reduced height installation as low as 32 1/4".

D5634XLHS / D5534XLFI TOUCHPROOF™ STAINLESS STEEL / PANEL READY (FI)

	TOWEL BAR HANDLE CONFIGURATION	PANEL READY (FI) CONFIGURATION
COLORS	TouchProof™ Stainless Steel	Optional Panel**
SKUs	D5634XLHS (Tall Tub Design)	D5534XLFI (Tall Tub Design)

CAPACITY

Tall Tub XL: 14 place-setting with industry leading 12" clearance in lower rack, 9" clearance in upper rack

PROGRAMS

Daily, Heavy, Normal, ECO, Delicate, Quick, Super Quick, Rinse & Hold, Rinse & Dry

PROGRAMMING OPTIONS

7 wash / rinse temperatures up to 160°, Delay start – 24 hr, End of program signal

FLEXIRACKS™

Premium upper rack, Fold-down stemware shelves (2), Fixed glass support rail, Exclusive lower rack with fold-down tines to accommodate various dishes, Easy grip handles

CLEANING SYSTEM

PowerZone™ Pots & Pans, PowerZone™ Cutlery, 7Spray™ Wash System, SuperCleaningSystem™ (SCS), Self-cleaning Stainless Steel filters for 100% water filtration, Dual pump & motor system, Low water consumption – as low as 2.6 gallons in Quick wash

DRYING SYSTEM

Turbo Drying™

SIMPLICITY & COMFORT

Hidden LCD control, Front LED display, EasyInstall™ Installation System (water, electrical & drain lines connected), Quiet operation at 48 dB(A), Panel ready (FI) model accommodates a variety of toe kick reveals up to 4" (with owner supplied toe kick panel), Provides installation height as low as 32 1/4" for raised floor applications

SAFETY

AquaSafe™ water safety system with AquaDetect™ sensor, KidSafe™, SteamSafe™

HANDLE CHOICES

Towel Bar (HS - Stainless Steel), Panel ready (FI) model accommodates a selection of accessory door panel selections or customer supplied custom wood door panel. FI models offers option for 3 panel mounting.

QUALITY

Exclusive 8Steel™ quality construction – more steel, less plastic, ISO9001 Quality Standard certified, ISO14001 Environmental Quality certified, 18:9 grade Stainless Steel wash tank, Spray arms & filters, Flow-thru heater system, One-piece base pan, Auto-reversing pump – anti-jam technology

WARRANTY

Exclusive 2 plus 1 Warranty provides three years parts & labor coverage, Toll free customer support



D5634XLHS (Tall Tub XL)



D5534XLFI (Tall Tub XL)

**Panel installation instructions on pages 27-28.

D5424XL

FRONT PANEL CONFIGURATION

COLORS	Black	White	TouchProof™ Stainless Steel
SKUs	D5424XLB (Tall Tub Design)	D5424XLW (Tall Tub Design)	D5424XLS (Tall Tub Design)

CAPACITY

Tall Tub XL: 12 place-setting with industry leading 12" clearance in lower rack, 9" clearance in upper rack

PROGRAMS

Daily, Heavy, Normal, ECO / Delicate, Quick, Rinse & Hold

PROGRAMMING OPTIONS

6 wash / rinse temperatures up to 160°

FLEXIRACKS™

Standard upper rack, premium lower rack designed to accommodate various size plates & bowls

CLEANING SYSTEM

PowerZone™ Pots & Pans, PowerZone™ Cutlery, 7Spray™ Wash System, SuperCleaningSystem™ (SCS), Self-cleaning Stainless Steel filters for 100% water filtration, Low water consumption – as low as 2.6 gallons in Quick wash

DRYING SYSTEM

Condensation Dry

SIMPLICITY & COMFORT

Award winning LCD front control, Front LED display, EasyInstall™ Installation System (water, electrical & drain lines connected), Quiet operation at 50 dB(A), Provides installation height as low as 32 ¼" for raised floor applications

SAFETY

AquaSafe™ water safety system with AquaDetect™ sensor, KidSafe™, SteamSafe™

HANDLE CHOICES

Integrated

QUALITY

Exclusive 8Steel™ quality construction – more steel, less plastic, ISO9001 Quality Standard certified, ISO14001 Environmental Quality certified, 18:9 grade Stainless Steel wash tank, Spray arms & filters, Flow-thru heater system, One-piece base pan, Auto-reversing pump – anti-jam technology

WARRANTY

Exclusive 2 plus 1 Warranty provides three years parts & labor coverage, Toll free customer support



D5424XLS (Tall Tub XL)



D5424XLW (Tall Tub XL)



D5424XLB (Tall Tub XL)



D5424XL Control

* 32 ¼" / 819 mm height requires removal of top trim*, lower side trim (2)

D5954 Outdoor

FREESTANDING WITH HIDDEN CONTROL



COLOR TouchProof™ Stainless Steel

SKU D5954 Outdoor

CAPACITY

Extra Tall Tub XXL: 14 place settings with industry leading 15 ¼" clearance in lower rack, 7 ½"- 9" clearance in upper rack

PROGRAMS

Daily, Heavy, Normal, Time, Delicate, Quick, Super Quick, ECO, Rinse & Hold, Rinse & Dry

PROGRAMMING OPTIONS

7 wash / rinse temperatures up to 160°, Delayed start – 24 hr, Time set, Time saver

FLEXIRACKS™

Exclusive height-adjustable upper rack, fold-down stemware shelves (3), 5 row of glasses capacity. **Exclusive** lower rack with fold-down tines to accommodate various dishes, Industry's most support rails in lower rack; built to last, Easy grip handles

CLEANING SYSTEM

PowerZone™ Pots & Pans, PowerZone™ Cutlery, 7Spray™ Wash System, Self-cleaning Stainless Steel filters for 100% water filtration, Low water consumption – as low as 2.6 gallons in Quick wash

DRYING SYSTEM

Condensation Dry

SIMPLICITY & COMFORT

Hidden LCD control with UV protected cover, EasyInstall™ Installation System (water, electrical & drain lines connected), Quiet operation at 48 dB(A)

SAFETY

AquaSafe™ water safety system with AquaDetect™ sensor, KidSafe™

HANDLE CHOICES

Towel Bar

QUALITY

Freestanding design wrapped Stainless Steel outer encasement, ISO14001 Environmental Quality certified, 18:9 grade Stainless Steel wash tank, Weather-tight seal and protection for all electronics, Treated for corrosion protection, Flow-thru heater system, Stainless Steel triple filtration

WARRANTY

Exclusive 2 plus 1 Warranty provides three years parts & labor coverage, Toll free customer support



D5954 Outdoor



D5954 Outdoor Control

The ASKO Outdoor dishwasher is a freestanding product specifically designed to withstand the harsh conditions of the outdoors. It is packed with the quality features that have made ASKO the dishwasher of choice for designers, architects and consumers in North America for over 24 years. The ASKO D5954 Outdoor dishwasher is freestanding and the perfect complement for any outdoor entertainer's kitchen.

PANEL READY DISHWASHER DOOR OPTIONS

We are all individuals, so it is important that your kitchen matches your personality, tastes, and way of living. Therefore, on our panel ready (FI) models, you can customize the front panel to match anything from custom cabinetry to the latest trends. With a wide range of handles and finish options, anything is possible.



T-Bar Handle – TouchProof™ Stainless
PANEL SIZE

D5000XXL 8082970-90	1
D5000 XL 8082973-90	3



Curved Handle – TouchProof™ Stainless
PANEL SIZE

D5000XXL 8082971-90	1
D5000 XL 8082974-90	3



Curved Handle – White / Black
PANEL SIZE

D5000XXL 8089293-0 White	1
D5000XXL 8089293-29 Black	1



TouchProof™ Stainless Steel/Black Glass
PANEL SIZE

D5000 XL 8082964-29	3
D5000XXL 8089294-29	2



S Handle – TouchProof™ Stainless Steel
PANEL SIZE

D5000XXL 8082969-90	1
---------------------	---

PANEL SIZES
 Panel 1: 30 1/8" H x 23 7/8" W
 Panel 2: 29 7/8" H x 23 5/8" W
 Panel 3: 28 1/8" H x 23 5/8" W

XXL Dishwashers (except D5894 / D5554FI)

The machine is delivered from the factory with two blue door springs that are designed to accommodate a door panel that weighs up to 15 lbs. For panels that weigh between 15 and 19 lbs, remove one blue spring that came with the unit and replace it with a green (8079660) spring. For panels that weigh between 19 and 23 lbs, remove both springs that came with the unit and replace them with two green (8079660) springs.



Front-adjustable Door Springs

The models D5894XXLFI & D5554XXLFI are delivered from the factory with front adjustable door springs for door panels that weigh between 3 and 19 lbs. Accessory springs are not available.

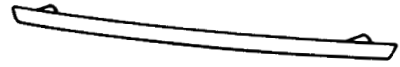
XL Dishwashers

The machine is delivered from the factory with one red, and one blue door spring that are designed to accommodate a panel that weighs up to 17 lbs. For panels that weigh between 18 and 22 lbs, remove the red spring that came with the unit and replace it with a blue (8088593) spring. For panels that weigh between 22 and 27 lbs, remove both springs that came with the unit and replace them with two green (8079660) springs.

OPTIONAL DISHWASHER ACCESSORIES

Curved Handle for Panel Ready Dishwashers

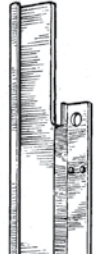
8073718-0 White 8073718-29 Black 8073718-82 Gold
8073718-84 Bisque 8073718-95 Stainless Steel



XL/XXLFI Top & Side Fill Strips, Stainless Steel

23 5/8" Width Door Panels (8077317-95)
23 1/8" Width Door Panels (8078982-95)

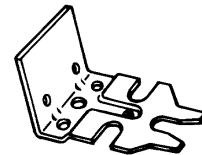
Attaches to top and sides of XL/XXLFI models to allow installations in 24" wide openings. Includes counter-saving top trim strip. See page 31 for installation instructions.



Dishwasher Tip Guard

8070851

Secures dishwasher when it's not possible to attach it to cabinetry or counter top. Sold individually.



Cutlery Basket

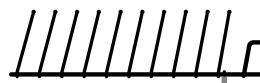
8801396-77

Cutlery basket for all models.



Lower Rack Tines Kit

880TINEKIT Wide and Narrow Tines Kit
(left and right sides)



Narrow Tines



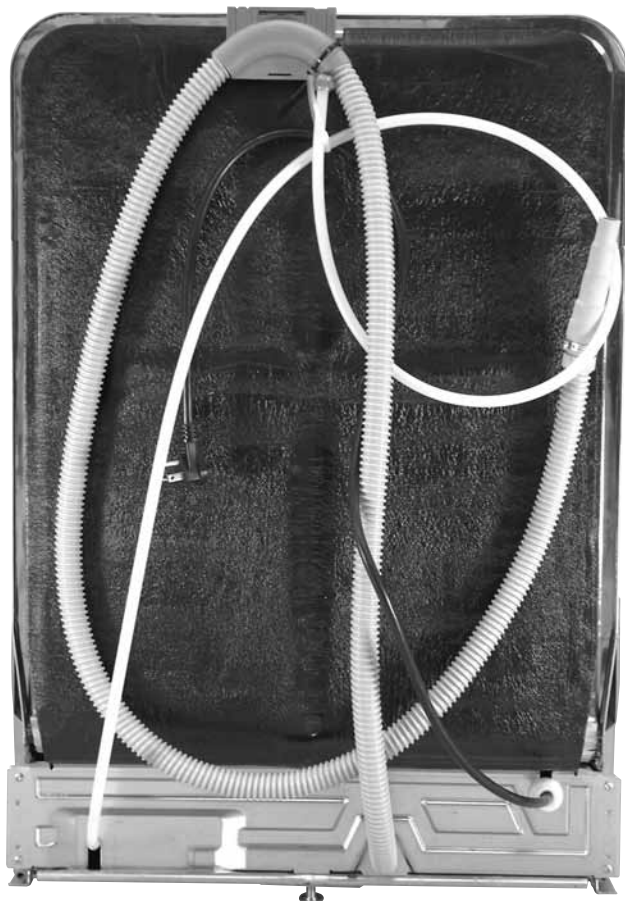
Wide Tines

EASYINSTALL™ DISHWASHERS

ASKO's dishwashers come with all the connections you need. We've eliminated the need to get into the electrical and mechanical area, which makes installation simple and quick. If a dishwasher is being installed in an area for the first time, most of the cabinetwork, plumbing, and electrical has to be done before you move the machine into place. If you are replacing an old dishwasher, you must check the plumbing connection and wiring before you install the new dishwasher.

This system has these components which have been approved by regulatory authorities (cULus):

- Over 5' of Pex hose that replaces the water-inlet copper tubing. It has a $\frac{3}{8}$ " compression fitting that mates with a $\frac{3}{8}$ " shut-off valve. Length: 5'2" from back of unit.
- Over 6' of drain hose with an adaptable drain connection. The high loop is built into this hose on the back of the unit. Length: 53" past fixed high loop from back of unit.
- An electrical cord (approximately 42") with standard, 3-pronged, 120V plug. This eliminates the need to wire anything under the unit.
- Front-adjustable rear leg (select XXL models). You can raise or lower the rear leg from the front of the unit.



Back of ASKO dishwasher with EasyInstall™ system.



Pex hose with $\frac{3}{8}$ " brass fitting.



Front-adjustable rear leg
(select XXL models).



Already wired with a standard
three-pronged plug.



Drain hose with multiple size adaptor

ULTRACARE™ CLOTHES WASHERS

Key Selling Features Of Every ASKO Family-Size Washer | ■ Exclusive ASKO Features

Family-Size Washer Features:

- 2 Plus 1 Warranty provides up to 3 years parts and labor protection
- Environmental Certification - ASKO manufacturing practices are certified in accordance with ISO14001 Environmental Quality, which confirms the manufacturing of ASKO products world-wide are produced in the most environmentally sound manner. An example of this is all manufacturing components that weigh more than 50 grams are labeled for recycling
- World's first and only fully integrated washer (W6984)
- Active Drum™ provides optimum care and maximum gentleness for your laundry. The hourglass-shaped lifters guide the load to the gentler central area of the drum and also effectively removes large objects such as dirt and gravel.
- Large, easy-access door opening
- Quattro™ four-shock suspension system
- Automatic Load Balancing System, cast-iron counterweights and heavy-duty bearings control load balancing and provide virtually vibration-free spin cycles for quiet operation
- SmartSeal™ construction allows for effective door seal with washer drum versus cabinet; unlike any other front load manufacturer. This eliminates any concern with odor, bacteria or mess.
- Quick Wash program washes smaller or lightly-soiled loads in only 40 minutes, yet uses as little as 6.6 gallons of water and 0.4kWh of electricity
- Industry leader – High spin speeds (up to 1,800 rpm) remove up to 96% of water that can be extracted by centrifugal force (spinning) – reducing time and energy consumed by dryer and extending life and beauty of clothing
- Up to seven rinses remove virtually every trace of detergent and soil

- The Line Series™ control makes programming a snap – its intuitive design makes operating this product a pleasure, not a puzzle
- EasyControl™ system allows for easy operation and programming
- Family-size washer provides 18 lbs. of dry laundry capacity
- TouchProof™ Stainless Steel with a thin, clear coating that keeps fingerprints and smudges off the surface
- Additional plug or wiring is unnecessary because ASKO dryer has 220V receptacle for ASKO washer. This eliminates the need to purchase an expensive dual-outlet splitter box or to have an additional 220V line run for the washer
- Smaller exterior size and quiet operation allow for installation in more convenient locations, e.g., in closets or under counters in bathrooms, utility rooms and kitchens
- AquaBlock™ system offers 6 safety components to protect against water leaks
- Stainless steel, electro-polished interior drum is snag-free, more gentle to clothes and more durable than porcelain or plastic
- Built-in water heater provides optimal temperatures (Cold, 85° – 205° F) for better cleaning and energy savings by eliminating need to use home's less-efficient water heater
- Washers and dryers can operate on 30 amp circuit. A washer can operate on a 15 amp circuit with a 20 amp receptacle (excluding W6884 ECO)
- Anti-jam, auto-reversing drain pump reduces service calls
- Automatic detergent and fabric softener dispenser
- Removable, easy-to-clean detergent dispenser
- Stackable when paired with ASKO dryer (kit included with dryer)

- Tumble action, precise temperature controls, optimal wash time, less detergent and elimination of bleach produce significantly cleaner, fresher-smelling laundry and extend the life and beauty of clothing
- Sensor Level Control System automatically determines the correct amount of water for every load
- Cold-water fill helps remove protein stains, such as blood, as well as wine and grape juice
- Every unit 100% factory tested
- An ASKO washer can save over \$200 annually in water, electricity, detergent and bleach costs
- KidSafe™ enables the ability to lock the control panel to restrict operation of the product
- Can save up to 15,000 gallons of water annually. Quick Wash uses 6.6 gallons per load on average; White / Colors programs use 15 gallons. Typical old-style agitators use an average of 44 and domestic front loaders use 28



W6984FI Washer



W6424 Washer

W6984FI

FAMILY-SIZE WASHER – PANEL READY – LINE SERIES™ STYLE

COLOR Optional Panel*

SKU W6984FI

PROGRAMS

Auto wash, Stain care, Time choice, Sani, White, Color, Quick, Everyday wear, PermaPress, Wool, Delicate, Rinse, Spin & Drain

OPTIONS

Prewash – 2hr, Anti-crease – 2hr, High water level, Super rinse (up to 7 rinses), Delay Start – 24 hr, Spin speeds 400-1800 RPM speed, No spin / no drain, Temperatures from cold to 205°F

CAPACITY

UltraCare™ family-size – 2.12 cu. ft. D.O.E., 18 lbs of dry laundry capacity

ENVIRONMENTAL

Energy Star® rated, Majority of manufacturing components labeled for recycling, ISO14001 Environmental Quality certified

TECHNOLOGY

Line Series™ Style control with LCD full graphic display, Internal heater produces optimal temperatures during main wash, Automatic load balancing, Electronic automatic door latch, Thermistor electronic thermostat ensures accurate wash temperatures within 1/2°F

CONSTRUCTION

New ActiveDrum™, Quattro™ suspension system, SmartSeal™ solid rubber door gasket, Stainless Steel inner/outer drum, Heavy duty induction motor, Galvanized steel base, Cast iron rear flywheel, ISO9001 Quality Standard certified, Noise level 41 dB(A) wash / 70 dB(A) spin

SIMPLICITY/COMFORT

LCD full graphic display, Complies with ADA (American Disability Act) accessibility guidelines, Countdown time display, Program memory, End of program signal, Auto door opening, Remaining time indicator, 24" width exterior cabinet for more convenient & flexible installations, 12 languages, Swing-out detergent dispenser

SAFETY

6 fold Aqua Block System, KidSafe™

WARRANTY

Exclusive Industry leading 2 plus 1 Warranty provides three years parts & labor coverage, Toll free customer support



W6984FI / T794CFI shown with customer supplied wood door panels.



W6984FI w/ Stainless Steel accessory panel

IMPORTANT: Refer to product line drawing on page 38-40 for design suggestions.

*FI Panel installation instructions are located on page 41 and Accessory Door Panel selections on page 22.

W6884 ECO

FAMILY-SIZE WASHER – LINE SERIES™ LOGIC



SAVES UP TO 60% ENERGY!

COLOR White with reversible side-swing exterior door **SKU** W6884 ECO

PROGRAMS

Auto, Time Choice, Sani, White, Color, Quick, Everyday Wear, PermaPress, Wool / Hand wash, Rinse, Spin & Drain

OPTIONS

Super wash, Prewash – 2hr, Anti-crease – 2hr, High water level, 400-1800 RPM speed speeds, Temperatures from cold to 205°F, Super rinse (up to 7 rinses), Delay Start – 24 hrs, No spin / no drain

CAPACITY

UltraCare™ family-size – 2.12 cu. ft. D.O.E., 18 lbs of dry laundry capacity

ENVIRONMENTAL

Energy Star® rated, Majority of manufacturing components labeled for recycling, ISO14001 Environmental Quality certified,

TECHNOLOGY

Line Series™ Logic control with LCD full graphic display, 3 ECO products-in-one with *alternative heating source installation saving up to 60% energy consumption, Internal heater produces optimal temperatures during main wash, Automatic load balancing, Electronic door latch, Thermistor electronic thermostat ensures accurate wash temperatures within 1 ½°F

CONSTRUCTION

New ActiveDrum™, Quattro™ suspension system, SmartSeal™ solid rubber door gasket, Stainless Steel inner/outer drum, Heavy duty induction motor, Galvanized steel base, Cast iron rear flywheel, ISO9001 Quality Standard certified, Noise level 45 dB(A) wash / 72 dB(A) spin

SIMPLICITY/COMFORT

Line Series™ Logic control with LCD full graphic display, Complies with ADA (American Disability Act) accessibility guidelines, Remaining time display, Program memory, End of program signal, Reversible side-swing exterior door, Auto door opening, 24" width exterior cabinet for more convenient & flexible installations, 12 languages and Swing-out detergent dispenser

SAFETY

6 fold Aqua Block System, KidSafe™

WARRANTY

Exclusive Industry leading 2 plus 1 Warranty provides three years parts & labor coverage, Toll free customer support

* Requires eco friendly hot water source such as geothermal, district heating, solar panels or heat pump.

W6424

FAMILY-SIZE WASHER – LINE SERIES™ CLASSIC

COLORS White Titanium

SKUs W6424W W6424T



PROGRAMS

Auto, Sani, White, Color, Quick, Everyday Wear, PermaPress, Wool / Handwash, Rinse, Spin & Drain

OPTIONS

Up to 1200 RPM speed, Temperatures from cold to 194°F, Super rinse (up to 7 rinses), Delay Start – 24 hr, No spin

CAPACITY

UltraCare™ family-size – 2.12 cu. ft. D.O.E., 18 lbs of dry laundry capacity

ENVIRONMENTAL

Energy Star® rated, Majority of manufacturing components labelled for recycling and Certified ISO14001 for environmental quality

TECHNOLOGY

Line Series™ Classic LCD display with SmoothDial™ technology, Internal heater produces optimal temperatures during main wash, Automatic load balancing, Electronic automatic door latch, Thermistor electronic thermostat ensures accurate wash temperatures within 1 ½°F

CONSTRUCTION

New ActiveDrum™, Quattro™ suspension system, SmartSeal™ solid rubber door gasket, Stainless Steel inner / outer drum, Heavy duty life-tested motor, Galvanized steel base, Cast iron rear flywheel, ISO9001 Quality Standard certified, ISO14001 Environmental Quality certified, Noise level 54 dB(A) wash / 75 dB(A) spin

SIMPLICITY/COMFORT

Line Series™ Classic LCD display with SmoothDial™ technology, Complies with ADA (American Disability Act) accessibility guidelines, Program memory, Remaining time indicator, 24" width exterior cabinet for more convenient & flexible installations

SAFETY

6 fold Aqua Block System

WARRANTY

Exclusive Industry leading 2 plus 1 Warranty provides three years parts & labor coverage, Toll free customer support

ULTRACARE™ CLOTHES DRYERS

Key Selling Features Of Every ASKO Family-Size Dryer | ■ Exclusive ASKO Features

Family-size Dryers Features:

- **Exclusive 2 Plus 1 Warranty** provides up to 3 years parts and labor protection
- **Environmental Certification** - ASKO manufacturing practices are certified in accordance with ISO14001 Environmental Quality, which confirms the manufacturing of ASKO products world-wide are produced in the most environmentally sound manner. An example of this is all manufacturing components that weigh more than 50 grams are labeled for recycling.
- **World's first and only panel ready (FI) dryer** (T794FI and T794CFI)
- **Cleanable air-flow fan** reduces service expense
- **Butterfly Drying™ System's** offset paddles help move clothing front-to-back and back-to-front in drum to prevent wrinkles. One-direction rotation extends motor life
- **Adjustable cool down** for every heated cycle
- **EasyControl™ panel** has Line Series™ programming. Its intuitive design makes operating this product a pleasure, not a puzzle
- **SensiDry™ drying system**
- **Additional plug or wiring is not necessary** – ASKO dryer has 220V receptacle for ASKO washer. This eliminates the need to purchase an expensive dual-outlet splitter box or to have an additional 220V line run for the washer. (Dryer power cord not supplied.)
- **Stainless steel, electro-polished interior drum** is snag-free, more gentle to clothes, and more durable than porcelain or plastic
- **Can be stacked** when paired with ASKO washer – stacking kit included*

- **Three-way venting** increases installation options
- **Easy-access, double lint filter**
- **Anti-wrinkle program** reduces wrinkles
- **Large capacity drum** reduces wrinkles
- **Up to 90 minute, time-controlled drying program**
- **Air, low and normal temperature programs**
- **End-of-program signal**
- **Air (fluff) drying program**
- **Every unit 100% factory tested**
- **KidSafe™** enables the ability to lock the control panel to restrict operation of the product
- **cULus approved**
- **Easy-to-reach, out-front controls**
- **Dryers use less energy and time** to dry clothes partially because our washer's final spin speed is the highest in the industry, up to 1800 RPM's
- **Our most sophisticated machine** not only gives you the most technological advances but also sophisticated styling with noise reducing outer doors (FI models)
- **A 60' venting capability** allows this dryer to be installed in areas of the home that most products can't



T793FI Dryer



DC717I Drying Cabinet

* Do not pair an ASKO dryer with a top-loading washer; those washers spin too slowly to remove enough moisture to allow for efficient drying.

T794FI/T794CFI

FAMILY-SIZE DRYER – PANEL READY (FI) – LINE SERIES™ STYLE

	VENTED	VENTELESS (CONDENSER)
COLORS	Optional Panel*	Optional Panel*
SKUs	T794FI	T794CFI

PROGRAMS

Auto heavy, Auto normal, Auto delicate, Auto iron dry
Jeans, Synthetic, Auto terry, Auto down, Timed dry

OPTIONS

Anti-Crease, Low temperature, Delay Start – 24 hr,
TimeSaver™ cool down, End of program signal

CAPACITY

UltraCare™ – family-size capacity

ENVIRONMENTAL

Majority of manufacturing components labelled for recycling,
ISO14001 Environmental Quality certified

TECHNOLOGY

Line Series™ Style control with LCD full graphic display,
SensiDry™ sensor, Butterfly™ drying system, Double lint filter,
Cleanable fan

CONSTRUCTION

Stainless Steel drum, Ball bearing suspension, Heavy duty
life-tested motor, ISO9001 Quality Standard certified, 66 dB(A)
noise level, Galvanized steel base, Rear panel

SIMPLICITY/COMFORT

Line Series™ Style control with LCD full graphic display,
Program memory, Countdown time display, Drum light,
Stacking kit included, Reversible door, Vents up to 60',
3-way venting (T794FI), easy-clean condenser (T794CFI),
12 languages

SAFETY

KidSafe™

WARRANTY

Exclusive Industry leading 2 plus 1 Warranty provides three
years parts & labor coverage, Toll free customer support



W6984FI / T794CFI shown with customer supplied wood door panels.

*IMPORTANT: Refer to product line drawing on page 38-40 for design suggestions.
FI Panel installation instructions are located on page 41 and Accessory Door Panel selections on page 22.

T784

FAMILY-SIZE DRYER – LINE SERIES™ LOGIC

COLOR White with reversible side-swing exterior door **SKU** T784W



PROGRAMS

Auto heavy, Auto normal, Auto delicate, Auto iron dry, Timed dry, Air fluff, Auto terry, Auto down, Jeans, Synthetic

OPTIONS

Anti-Crease, Low temperature, Delay start – 24 hr, TimeSaver™ cool down

CAPACITY

UltraCare™ – family-size capacity

ENVIRONMENTAL

Majority of manufacturing components labeled for recycling, ISO14001 Environmental Quality certified

TECHNOLOGY

Line Series™ Logic control with LCD display, SensiDry™ sensor, Butterfly™ drying system, Double lint filter, Cleanable fan

CONSTRUCTION

Stainless Steel drum, Ball bearing suspension, Heavy duty life-tested motor, ISO9001 Quality Standard certified, 66 dB(A) noise level, Galvanized steel base, Rear panel

SIMPLICITY/COMFORT

Line Series™ Logic control with LCD display, Drum light, Program memory, Display with program information and remaining time indication, Vents to 60' & 3-way venting, Stacking kit included, Reversible door, 12 languages

SAFETY

KidSafe™

WARRANTY

Exclusive Industry leading 2 plus 1 Warranty provides three years parts & labor coverage, Toll free customer support

T754 / T754C

FAMILY-SIZE DRYER – LINE SERIES™ CLASSIC

	VENTED		VENTELESS (CONDENSER)	
COLORS	White	Titanium	White	Titanium
SKUs	T754W	T754T	T754CW	T754CT



PROGRAMS

Auto heavy, Auto normal, Auto delicate, Auto iron dry, Timed dry, Air fluff

OPTIONS

Anti-Crease, Low temperature, Delay Start – 24 hr, TimeSaver™ cool down

CAPACITY

UltraCare™ – family-size capacity

ENVIRONMENTAL

Majority of manufacturing components labeled for recycling, ISO14001 Environmental Quality certified

TECHNOLOGY

Line Series™ Classic control with LCD display, SensiDry™ sensor, Butterfly™ drying system, Double lint filter, Cleanable fan

CONSTRUCTION

Stainless Steel drum, Ball bearing suspension, Heavy duty life-tested motor, ISO9001 Quality Standard certified, Galvanized steel base, Rear panel

SIMPLICITY/COMFORT

Line Series™ Classic control with LCD display, Program memory, Stacking kit included, Reversible door, Easy clean condenser (T754C), Vents up to 60' & 3-way venting (T794), 66 dB(A) noise level

WARRANTY

Exclusive Industry leading 2 plus 1 Warranty provides three years parts & labor coverage, Toll free customer support

DC7583

DRYING CABINET – LINE SERIES™ CLASSIC

COLORS™ White with reversible side-swing exterior door

Titanium with reversible side-swing exterior door

SKU DC7583W

DC7583T

PROGRAMS

Auto dry, Auto normal dry, Auto extra dry, Towel warmer, Time dry (up to 12 hrs), Air fluff

CONTROL

Line Series™ Classic control, LCD-display with remaining time indication, Jog dial for program selection

CAPACITY

8 lbs. (3.5 kg), Equivalent to over 52' cloth line, 3 rows of pull-out, foldable hanging bars, Top vent exhaust

COMFORT

Quiet Operation 56 dB(A), Delay start – 12 hr

ENVIRONMENT

Energy Efficient, Manufacturing components marked for recycle, 120V / 60HZ Electrical

OPTIONS

Shoe rack accessory (#67000621)

Door hanger (#67000623)

Glove hanger (#67000624)

Wire hanger bar (#67000620)

WARRANTY

Exclusive Industry leading 2 plus 1 Warranty provides three years parts & labor coverage, Toll free customer support



Shoe Rack #67000621 (optional)

ASKO Drying Cabinets are designed to dry items that are not made to dry in a conventional tumble dryer, such as those that you hang dry or lay flat to dry. The Drying Cabinets can also dry wet and damp clothes, shoes, boots, gloves and hats that get wet even though they weren't washed. They are very quiet, very efficient and match our washers and dryers perfectly. ASKO Drying Cabinets vent from the top.

See page 37 for installation drawings.

LAUNDRY ACCESSORIES

Stacked Space Trim Kit

HL205W

HL205T

Installs between stacked pair to provide a single unit appearance

Shoe Rack

6700062I

Stainless steel shoe rack to be placed on the drying cabinet floor.



ecoVantage Ultra™ Laundry Detergent

I8001110

- New improved formula
- Enhanced solubility in cold or warm water
- Biodegradable – safe for septic systems
- Phosphate-free
- Oxygenated cleaning agent for superior stain removal
- Excellent removal of oil-stains with no pre-treatment required
- Sensitive formula – Low pH – Natural vegetable-based dye
- Natural citrus fragrance – no residual scent after wash cycle
- Recyclable storage container – compact & durable – ensures extended shelf life!
- Suitable for any front-load washer
- High Efficiency (HE) formula
- I10 load capacity
- All temperature performance
- Environmentally friendly
- Low suds formula
- No animal based surfactants
- Powerful cleaning & stain removal, yet gentle to fabrics

Satisfaction guarantee
(800) 898-1879 Option 2

Family-Size Steel Laundry Platform

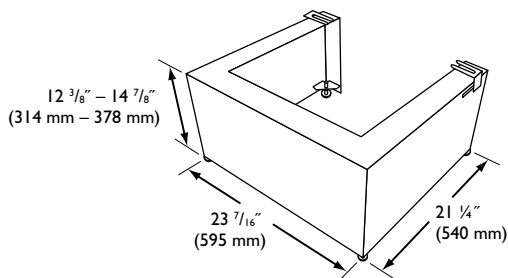
8052000-1 White, 8052000-3 Titanium

Platform increases the height of a single unit by 12 3/8" – 14 7/8". Has four adjustable feet.

Dimensions

	US	METRIC
HEIGHT:	12 3/8" – 14 7/8"	314 – 378 mm
WIDTH:	23 7/16"	595 mm
DEPTH:	21 1/4"	540 mm
WEIGHT:	36 LBS	16 kg

When using platforms, do not stack washer/dryer.



HIDDENHELPERS™ LINE SERIES™



Ironing Board



Double Shelf



Laundry Care Basket

All of our family-size washers and dryers can be supplemented with a range of practical accessories to make life easier in the laundry room. One simple solution is the HiddenHelpers™ Ironing Board. It is always readily available, yet easy to hide away when not in use. An optional side-mounting ironing board arm is available (HA15W) – the perfect accessory for ironing shirt sleeves.

The Laundry Care Double Shelf has a removable wire basket and pull-out shelf that can be used as a general purpose surface or additional folding space.

The Laundry Care Basket has a push-to-open front door with a large removable basket. It is useful for removing clean laundry to transport to your wardrobe cabinet.

HiddenHelpers™ Warranty:
90 day – parts & labor

See pages 42 – 43 for full specifications.

LAUNDRY CARE BASKET

MODEL NO.	HBI15 W, T
COLORS	White, Titanium

IRONING BOARD

MODEL NO.	HII15 W, T
COLORS	White, Titanium

Ironing Board Accessory Arm (All) HA15W

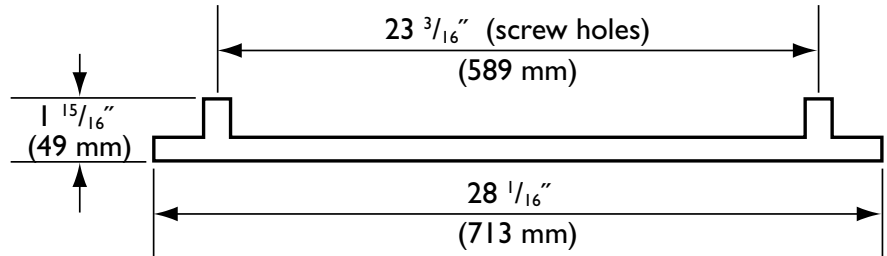
In order for the ironing board to fully extend, either a flush mount with the front edge of counter top or a 1 ½" (38 mm) height clearance between the ironing board chassis and the bottom of the counter top is required.

DOUBLE SHELF

MODEL NO.	HDBI15 W, T
COLORS	White, Titanium

INDIVIDUAL DOORS FAMILY-SIZE LAUNDRY

How would you like to have the world's best looking couple – in your laundry room? With ASKO panel ready (FI) washers and dryers, you can customize the front panel to match any setting. White, Black, TouchProof™ Stainless Steel, even custom wood panels will transform an ordinary laundry room into a pleasant and stylish environment. All individual doors are available with a T-bar handle.



T-Bar Handles
8801318-95



Standard Door: T-Bar 8080695-86
Black
Long Door: T-Bar 8081936-86
Black



Standard Door: T-Bar 8080695-0
White
Long Door: T-Bar 8081936-0
White



Standard Door: T-Bar 8080695-91
TouchProof™ Stainless Steel
Long Door: T-Bar 8081936-91
TouchProof™ Stainless Steel

Door Dimensions

	STANDARD DOOR		LONG DOOR	
	US	METRIC	US	METRIC
HEIGHT	30 1/8"	765 mm	32 9/16"	827 mm
WIDTH	23 1/2"	597 mm	23 1/2"	597 mm
DEPTH	5/8"	16 mm	5/8"	16 mm
WEIGHT	14 lbs	6 kg	15 lbs	7 kg

IMPORTANT NOTE: the Standard Door must be used for all Condenser dryer installations



Top View - T Bar handle

XXL TALL TANK MODELS

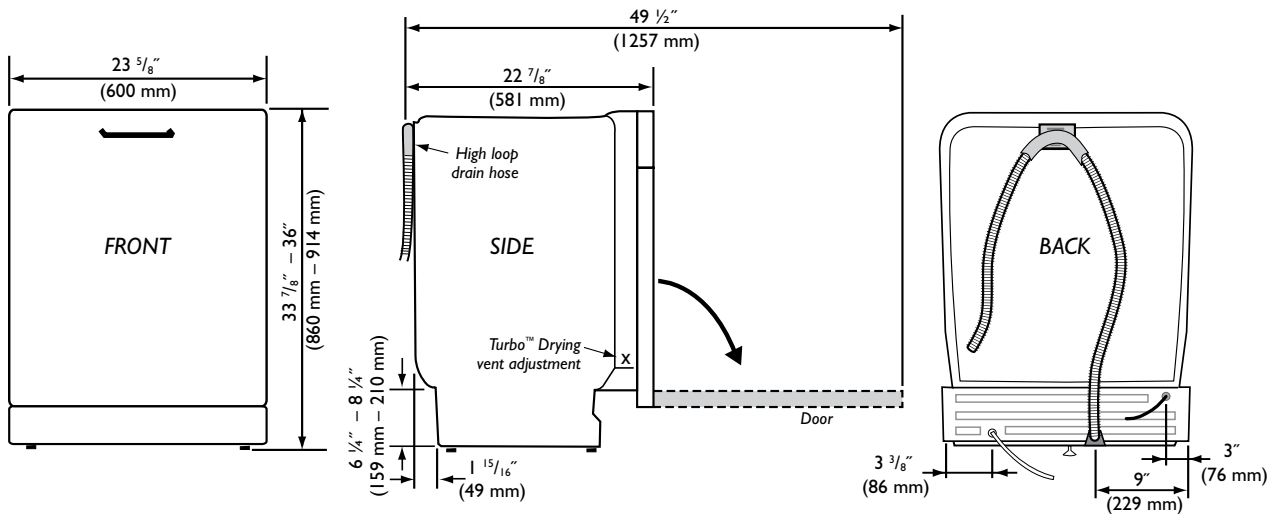
PLANNING & DESIGN: XXL DISHWASHERS – PANEL READY D5524XXLFI, D5534XXLFI, D5554XXLFI, D5894XXLFI

Unit Dimensions

	US	METRIC
HEIGHT:*	33 7/8" – 36"	860 – 914 mm
WIDTH:	23 5/8"	600 mm
DEPTH:	22 7/8"	581 mm
DEPTH W/DOOR OPEN:	49 1/2"	1257 mm
WEIGHT:	94 lbs	43 kg

Technical Data

Electricity	120 V, 60 Hz, 15 Amp
Water pressure	4.2 – 140 psi
Heating element	1200 watt
Max loading	1300 watt



Toe kick reveal height will be the dishwasher installation height minus the door panel height.

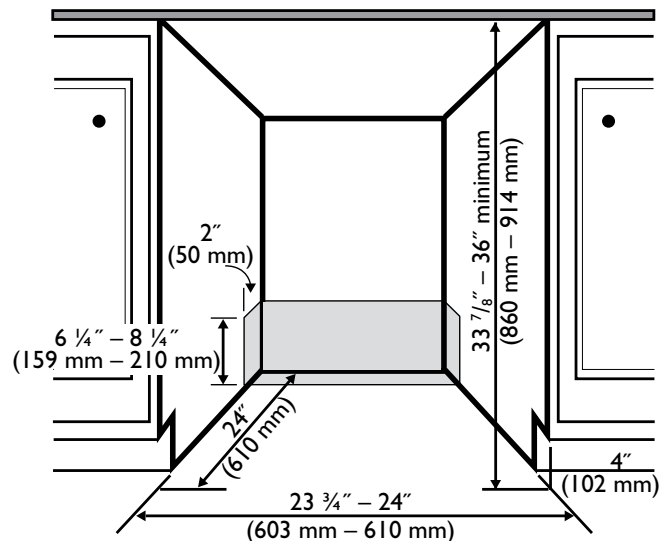
Custom Front Panels

The D5524XXLFI, D5534XXLFI, D5554XXLFI and D5894XXLFI can only be installed with a fully-integrated custom door panel that extends from the desired toe kick height to the counter top. A one-piece accessory door panel selection is also available.

Cutout Dimensions

	US	METRIC
HEIGHT:*	33 7/8" – 36"	860 – 914 mm
WIDTH:	23 5/8" – 24"	600 – 610 mm
DEPTH:	24"	610 mm

The electrical and water supplies should enter through the area indicated by the shaded area. Preferably, they should come through the right side of the machine. The access hole must be round and smooth and no bigger than 2" (51 mm) in diameter.



* If accessory FI fill strips are used, then 1/2" (13 mm) must be added to the dishwasher height and cutout. Additionally, 3/8" (10 mm) must be added to the dishwasher width and cutout width.

Specifications are subject to change without notice. See installation instructions for additional details.

XXL TALL TANK MODELS

PLANNING & DESIGN: XXL DISHWASHERS

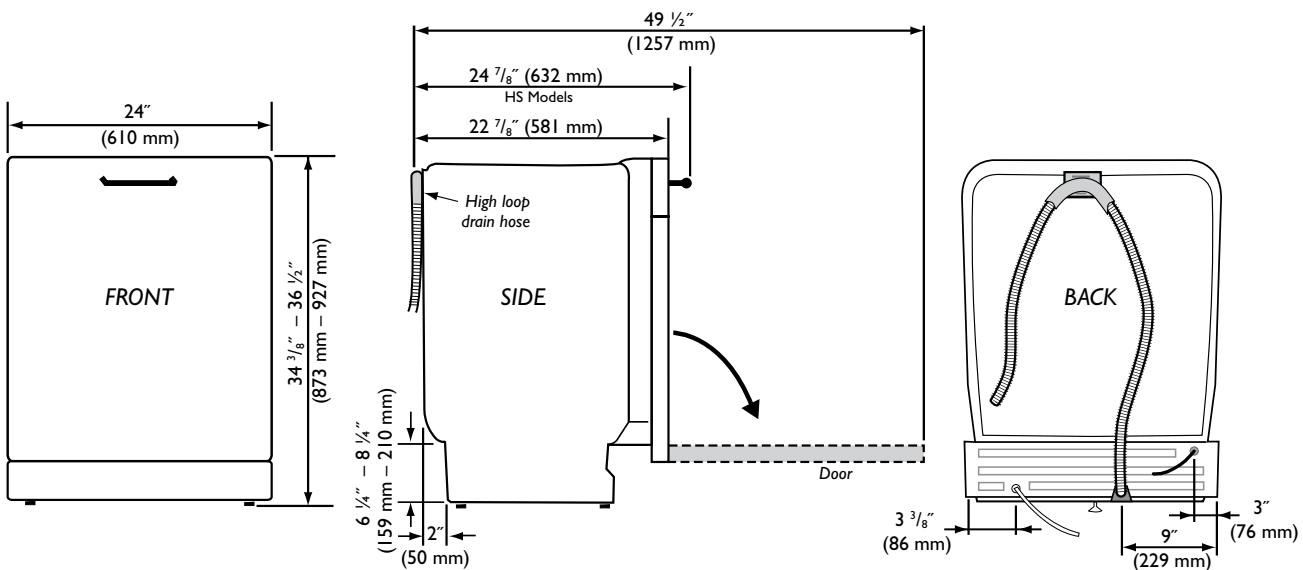
D5434XXL, D5624XXL, D5634XXLHS, D5654XXLHS, D5894XXLHS

Unit Dimensions

	US	METRIC
HEIGHT:*	34 ³ / ₈ " – 36 ¹ / ₂ "	873 – 927 mm
WIDTH:	24"	610 mm
DEPTH:	22 ⁷ / ₈ "	581 mm
DEPTH W/ HANDLE (HS):	24 ⁷ / ₈ "	632 mm
DEPTH W/DOOR OPEN:	49 ¹ / ₂ "	1257 mm
WEIGHT:	106 lbs	48 kg

Technical Data

Electricity	120 V, 60 Hz, 15 Amp
Water pressure	4.2 – 140 psi
Heating element	1200 watt
Max loading	1300 watt

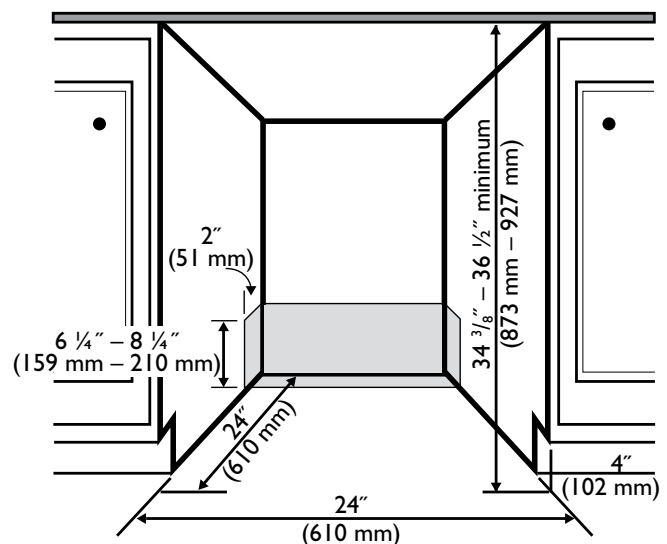


Cutout Dimensions

	US	METRIC
HEIGHT:*	34 ³ / ₈ " – 36 ¹ / ₂ "	873 – 927 mm
WIDTH:	24"	610 mm
DEPTH:	24"	610 mm

The electrical and water supplies should enter through the area indicated by the shaded area. Preferably, they should come through the right side of the machine. The access hole must be round and smooth and no bigger than 1 ¹/₂" (38 mm) in diameter.

* Total height can be reduced by ¹/₂" by removing upper trim.



Specifications are subject to change without notice. See installation instructions for additional details.

XL TALL TANK MODELS

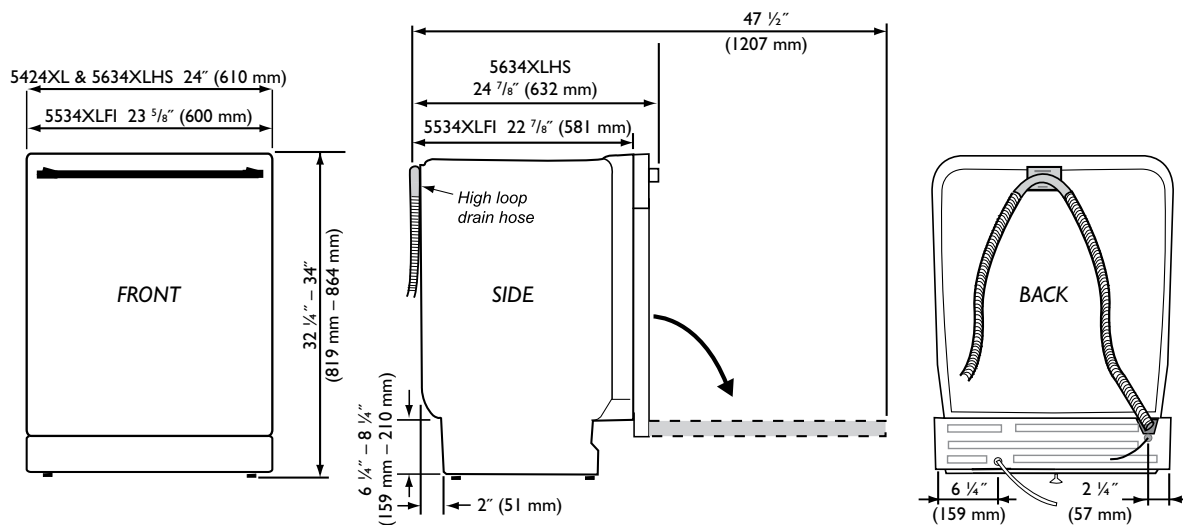
PLANNING & DESIGN: XL DISHWASHERS D5424XL, D5534XLFI, D5634XLHS

Unit Dimensions

	US	METRIC
HEIGHT:*	32 1/4" – 34"	819 – 864 mm
WIDTH: 5424XL, 5634XLHS	24"	610 mm
5534XLFI	23 5/8"	600 mm
DEPTH:	22 7/8"	581 mm
DEPTH W/HANDLE: 5634XLHS	24 7/8"	632 mm
DEPTH W/DOOR OPEN:	47 1/2"	1207 mm
WEIGHT: 5424XL, 5634XLHS	106 lbs	48 kg
5534XLFI	94 lbs	43 kg

Technical Data

Electricity	120 V, 60 Hz, 15 Amp
Water pressure	4.2 – 140 psi
Heating element	1200 watt
Max loading	1300 watt



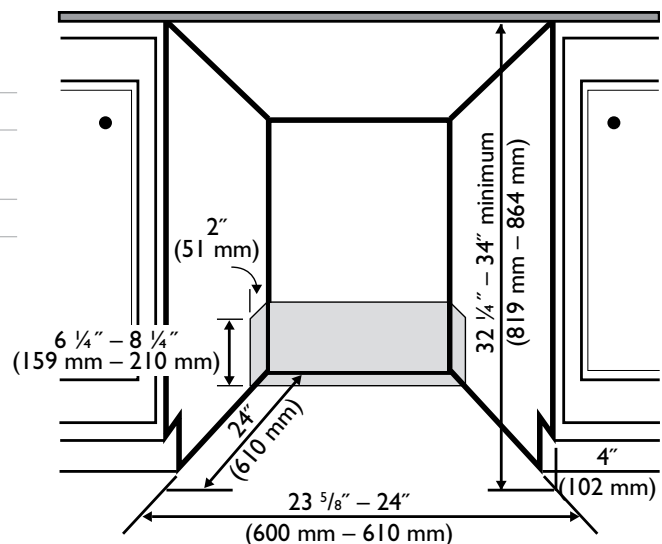
Cutout Dimensions

	US	METRIC
HEIGHT:	32 1/4" – 34"	819 – 864 mm
WIDTH: 5424XL, 5624XLHS	24"	610 mm
5534XLFI	23 5/8" – 24"	600 – 610 mm
DEPTH:	24"	510 mm

Depth includes space for the high-loop drain hose

The electrical and water supplies should enter through the area indicated by the shaded area. Preferably, they should come through the right side of the machine. The access hole must be round and smooth and no bigger than 2" (51 mm) in diameter.

* 32 1/4" / 819 mm height requires removal of top trim & lower side trim (2)



Specifications are subject to change without notice. See installation instructions for additional details.

OUTDOOR MODEL

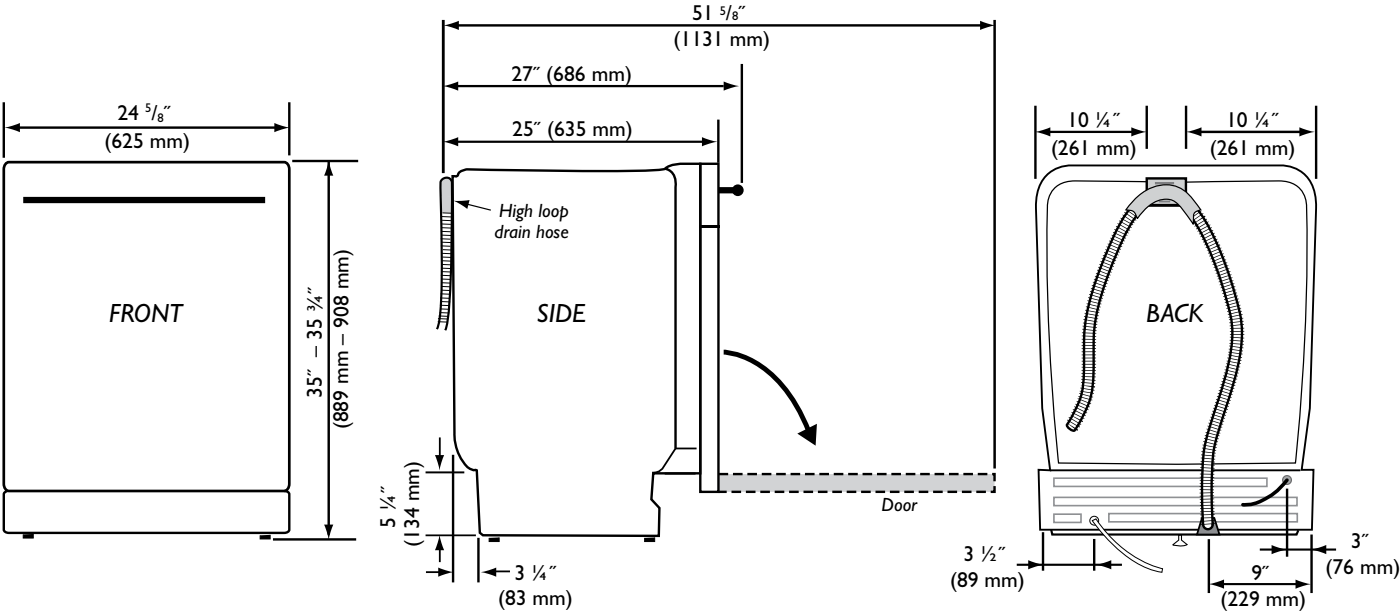
PLANNING & DESIGN: OUTDOOR DISHWASHER D5954 Outdoor

Unit Dimensions

	US	METRIC
HEIGHT:	35" – 35 3/4"	889 – 908 mm
WIDTH:	24 5/8"	625 mm
DEPTH:	25"	635 mm
DEPTH W/HANDLE:	27"	686 mm
DEPTH W/DOOR OPEN:	51 5/8"	1131 mm
WEIGHT:	163 lbs	74 kg

Technical Data

Electricity	120 V, 60 Hz, 15 Amp
Water Pressure	4.2 – 140 psi
Max Wattage	1200 watt
Max Loading	1300 watt



Specifications are subject to change without notice. See installation instructions for additional details.

PLANNING & DESIGN: XXL AND XL PANEL READY (FI) DISHWASHERS FITTING THE ASKO ACCESSORY DOOR PANEL OR CUSTOM DOOR PANEL WITH A 4" (102 MM) REVEAL

The ASKO panel ready models can be installed with a fully-integrated, buyer-supplied custom door panel or ASKO accessory panel (see page 10) that extends from the reveal / toe kick to the counter top. The unit comes with everything needed to make installing the door panel easy. The door is predrilled for the panel's mounting screws.

The custom panel should be a minimum of $\frac{3}{4}$ " (19 mm) thick.

Items Provided With The Unit

- Two $\frac{3}{8}$ " (10 mm) screws
- Six 1 $\frac{3}{4}$ " (44 mm) screws

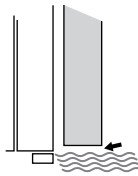
Installing The Custom Panel or ASKO Accessory Panel – 4" (102mm) Reveal

Before fitting the door panel, the dishwasher must be installed underneath the cabinet. After you've made the required measurements, pull the machine out again to install the panel.

Refer to the illustration at right for instruction references.

1. Fit the handle (A) onto the panel according to the manufacturer's instructions. (**NOTE:** A handle should be used rather than a knob, because a knob does not provide enough grip.)

IMPORTANT! The custom panel must not obstruct the fan exhaust vent; otherwise, moisture from the vent could eventually damage the cabinet and create drying problems.



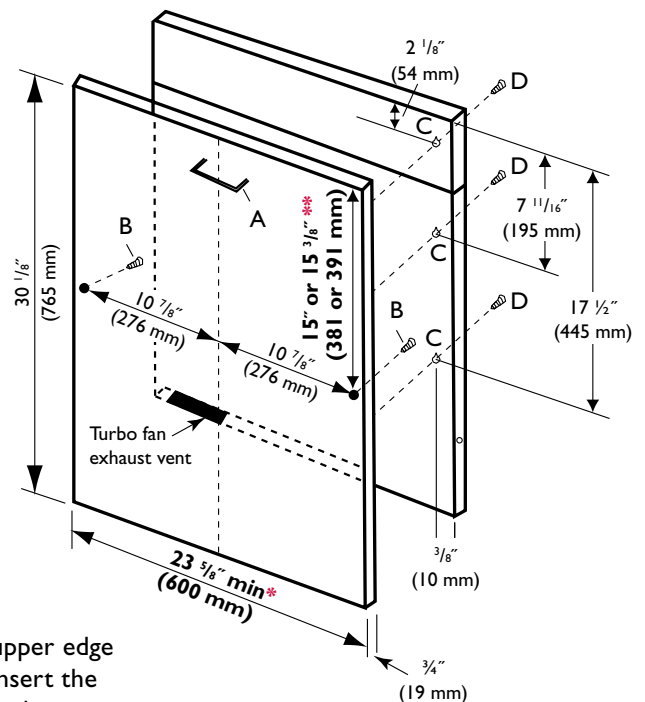
2. The two short screws (B) go into the back of the panel, 15" (381 mm) (no top trim) or 15 $\frac{3}{8}$ " (391 mm) (with top trim) from the upper edge of the panel and 10 $\frac{7}{8}$ " (276 mm) from the center of the panel. Insert the short screws into the panel, leaving $\frac{1}{8}$ " (3 mm) of space between the screw head and the panel.
3. Hook the panel screws (B) into the keyholes on the dishwasher door.
4. Slide the panel to the left until it is centered in the opening, and secure the screws.
5. Open the door and use the six screws (D) supplied to secure the panel to the door.

NOTE: Refer to page 10 for information regarding spring weights and part numbers

- * Max panel width cannot exceed cutout dimensions less $\frac{1}{8}$ " (3 mm) reveal on each side.
- **With use of optional FI trim kit. Custom door panel height or position should adjust to conceal upper trim (if applied). Refer to page 30 for FI trim kit information.

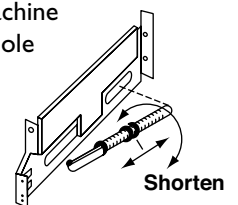
CUSTOM PANEL DIMENSIONS

WIDTH:	23 $\frac{5}{8}$ " min* (600 mm)
HEIGHT:	30 $\frac{1}{8}$ " (765 mm) (Measured from the top of the panel to the lower edge of the kitchen cabinet.)
THICKNESS:	$\frac{3}{4}$ " (19 mm)



Adjusting The Door Springs

Before you push the dishwasher into the cabinet opening, test the door to make sure it stays in place at any angle. If necessary, pull out the machine and adjust the tension of the door springs on the sides of the machine by moving them one hole further back or by twisting the spring to make it shorter.



*Models D5894XXLFI & D5554XXLFI feature front-adjusting door springs

Specifications are subject to change without notice. See installation instructions for additional details.

PLANNING & DESIGN: XXL AND XL FI DISHWASHERS

FITTING THE ASKO ACCESSORY DOOR PANEL OR CUSTOM DOOR PANEL WITH A 6" (152 MM) REVEAL

The ASKO panel ready (FI) (FI) models can be installed with a buyer-supplied custom door panel or an ASKO XXL or XL accessory panel (see page 10) that extends from the reveal / toe kick to the counter top. The D5000 Series dishwashers include mounting screws required for easy installation. The ASKO accessory door panels are predrilled for mounting onto the D5000 dishwasher. The custom panel should be a minimum of 3/4" (19 mm) thick.

Hardware Provided With The Dishwasher

- Six (6) (D5000XXLFI & XL FI models) – 1 3/4" (44 mm) screws

CUSTOM PANEL DIMENSIONS

WIDTH:	23 5/8" min* (600 mm)
HEIGHT:	30 1/8" (765 mm) (Measured from the top of the panel to the lower edge of the kitchen cabinet.)
THICKNESS:	3/4" (19 mm)

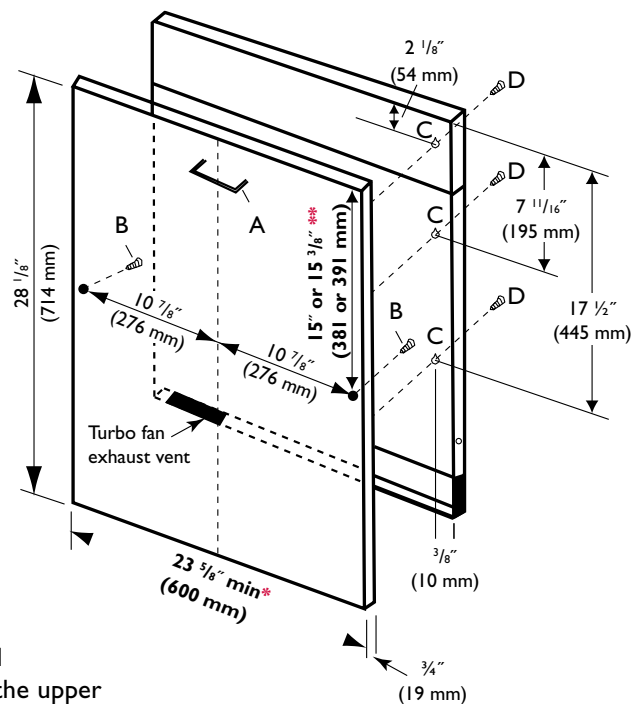
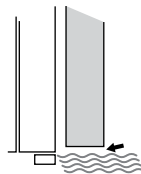
Installing The Custom Panel – 6" (152 mm) Reveal

Before fitting the custom panel, the dishwasher must be installed underneath the cabinet. After you've made the required measurements, pull the machine out again to install the panel.

Refer to the illustration at right for instruction references.

1. Fit the handle (A) onto the panel according to the manufacturer's instructions. (**NOTE:** A handle should be used rather than a knob, because a knob does not provide enough grip.)

IMPORTANT! The custom panel must not obstruct the fan exhaust vent; otherwise, moisture from the vent could eventually damage the cabinet and create drying problems.



2. The two short screws (B) go into the back of the panel, 15" (381 mm) (no top trim) or 15 3/8" (391 mm) (with top trim) from the upper edge of the panel and 10 7/8" (276 mm) from the center of the panel. Insert the short screws into the panel, leaving 1/8" (3 mm) of space between the screw head and the panel.
3. Hook the panel screws (B) into the keyholes on the dishwasher door.
4. Slide the panel to the left until it is centered in the opening, and secure the screws.
5. Open the door and use the six screws (D) supplied to secure the panel to the door.

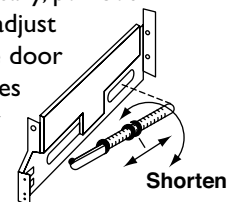
NOTE: Refer to page 10 for information regarding spring weights and part

* Max panel width cannot exceed cutout dimensions less 1/8" (3 mm) reveal on each side.

**With use of FI trim kit. Custom door panel height or position should adjust to conceal upper trim (if applied). Refer to page 29 for FI trim kit information.

Adjusting The Door Springs

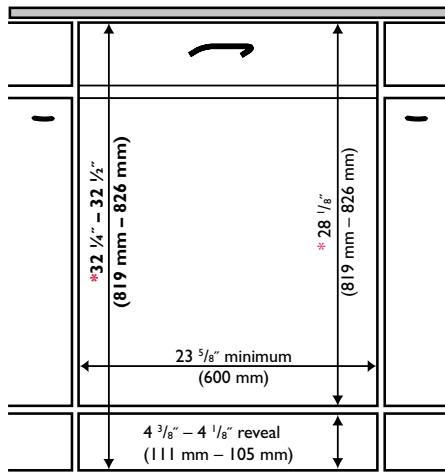
Before you push the dishwasher into the cabinet opening, test the door to make sure it stays in place at any angle. If necessary, pull out the machine and adjust the tension of the door springs on the sides of the machine by moving them one hole further back or by twisting the spring to make it shorter.



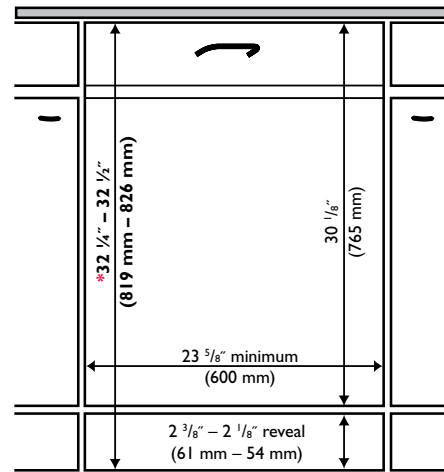
*Models D5894XXLFI & D5554XXLFI feature front-adjusting door springs

Specifications are subject to change without notice. See installation instructions for additional details.

PLANNING & DESIGN: XL DISHWASHERS XL HEIGHT COMPLIANT INSTALLATIONS



D5534XLFI

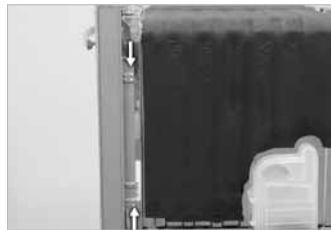


D5634XLHS / D5424XL

For counters with a maximum XL height of 34" (864 mm). For cabinet openings of **32 1/4" (819 mm) – 32 1/2" (826 mm)** (based on 1 1/2" (38 mm) counter top thickness). Panel extends from reveal / toe kick to underside of counter top surface.

D5000FI TRIM KIT INSTALLATION OPTIONS

ASKO D5000FI dishwashers can be installed either with or without accessory fill strips depending on the type of installation. If the dishwasher cutout has been cut to European widths of 23 5/8" (600 mm), the units won't require fill strips. If the dishwasher cutout is a standard 24" (610 mm) wide, we offer fill strip kits that make the unit 24" (610 mm) wide.



23 5/8" (600 mm) Wide Door Panels

The ASKO accessory fill kit for 23 5/8" (600 mm) Width Door Panels (8077317-95), which includes the counter saver fill strip and both side fill strips, should be installed in the back mounting holes.



23 7/8" (606 mm) Wide Door Panels

The ASKO accessory fill kit for 23 7/8" (606 mm) Width Door Panels (8078982-95) which includes the counter saver fill strip and both side fill strips, should be installed in the front mounting holes.

ASKO UNIQUE DESIGN SOLUTIONS

Are you installing European cabinets? All ASKO XXLFI Series models offer the perfect solution for lower toe kick reveals up to 7 3/4" (197 mm).

Are you remodeling your home? Maybe you just want that special application in your new home to make it stand out above all others. ASKO XL models are designed for your unique home.

*32 1/4" (819 mm) height requires removal of top trim, lower side trim (2)

Specifications are subject to change without notice. See installation instructions for additional details.

The ASKO brand offers the installation versatility to meet today's installation requirements. Whether you are looking for solutions that address toe kick reveal flexibility from *2 1/2" (64 mm) to 7 3/4" (197 mm), XL/ADA height compliance as low as *32 1/4" (819 mm) for that special project or raised sub-floor installations. ASKO D5000 Series dishwashers have the solution for you!

**XXLFI models accommodate a variety of toe kick reveals from 2 1/2" (64 mm) to 7 3/4" (197 mm), while the XLFI models offer a range from 2 1/8" (54 mm) to 4" (102 mm). Maximum reveal varies by available installation and door panel height.

PLANNING & DESIGN: FAMILY-SIZE WASHERS – LINE SERIES™ STYLE

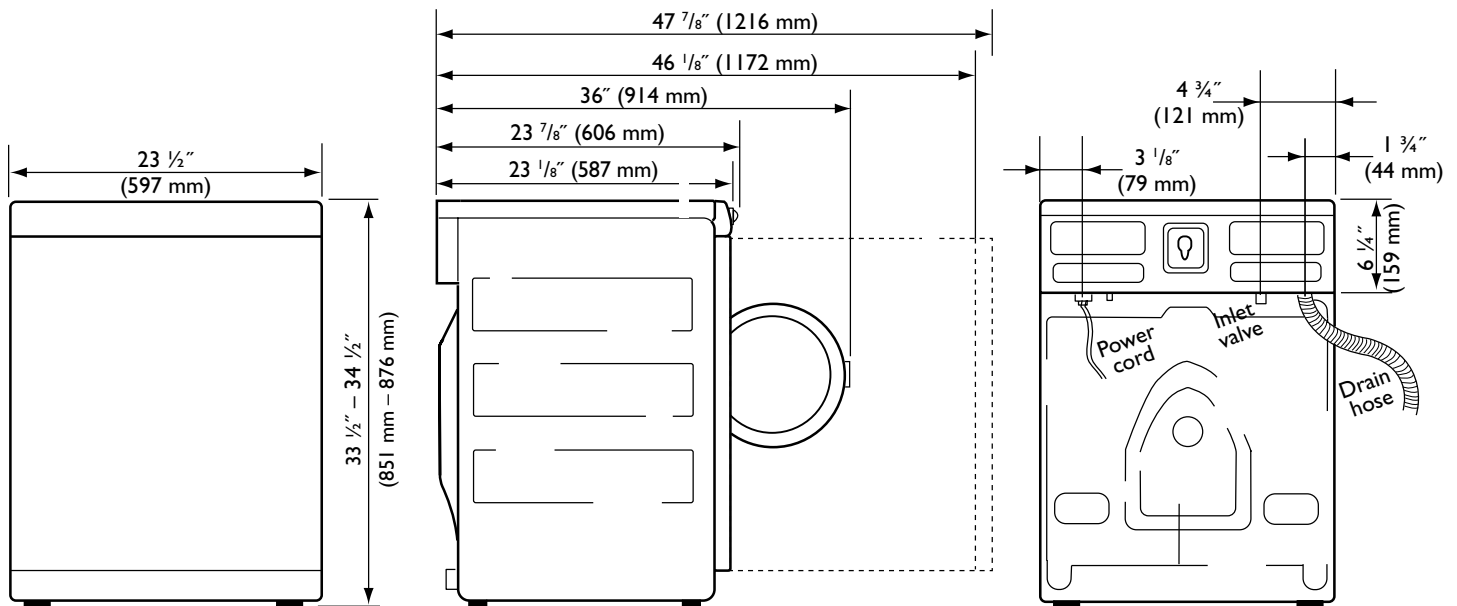
W6984FI

Unit Dimensions

	US	METRIC
HEIGHT:	33 1/2" – 34 1/2"	851 – 876 mm
WIDTH:	23 1/2"	597 mm
DEPTH:	23 1/8"	587 mm
DEPTH W/DOOR OPEN:	47 7/8"	1216 mm
WEIGHT:	172 lbs	78 kg

Technical Data

Supply voltage	Single-phase 220 V, 60 Hz
Water Pressure	15 – 146 psi
Max Wattage	2200 W
Power cord (attached)	220 V, 20 Amp



IMPORTANT: ONLY USE THE WATER SUPPLY HOSE PROVIDED WITH THIS MACHINE. ASKO provides a quality PEX water fill hose that utilizes a US standard 3/4" brass connection fitting for attachment on the water supply / faucet side and a Metric threaded fitting for the washer side connection.

Every ASKO washer is delivered ready-fitted with a plug and is intended for connection to an ASKO dryer, which is equipped with a matching receptacle. If the washer is used separately or with another dryer, it must be on a separate 220 V, 20 Amp single-phase circuit.

Second-floor (above grade) installations must meet all local building codes.

When placing the washer next to a wall or cabinet, be sure to leave 1/4" (6 mm) of space between the washer and the wall or cabinet.

PLANNING & DESIGN: FAMILY-SIZE WASHERS – LINE SERIES™ STYLE

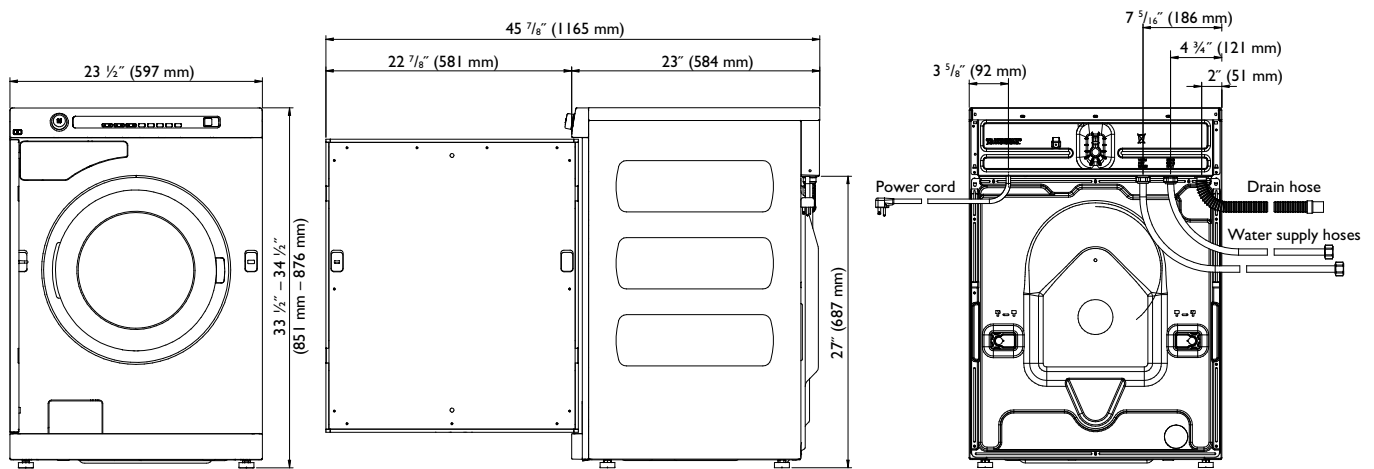
W6884W ECO

Unit Dimensions

	US	METRIC
HEIGHT:	33 ½" – 34 ½"	851 – 876 mm
WIDTH:	23 ½"	597 mm
DEPTH:	23"	584 mm
DEPTH W/DOOR OPEN:	45 7/8"	1165 mm
WEIGHT:	172 lbs	78 kg

Technical Data

Supply voltage	Single-phase 220 V, 60 Hz
Water Pressure	15-146 psi
Max Wattage	2200 W
Power cord (attached)	220 V, 20 Amp



IMPORTANT: ONLY USE THE WATER SUPPLY HOSE PROVIDED WITH THIS MACHINE. ASKO provides a quality PEX water fill hose that utilizes a US standard ¾" brass connection fitting for attachment on the water supply / faucet side and a Metric threaded fitting for the washer side connection.

Every ASKO washer is delivered ready-fitted with a plug and is intended for connection to an ASKO dryer, which is equipped with a matching receptacle. If the washer is used separately or with another dryer, it must be on a separate 220 V, 20 Amp single-phase circuit.

Second-floor (above grade) installations must meet all local building codes.

When placing the washer next to a wall or cabinet, be sure to leave ¼" (6 mm) of space between the washer and the wall or cabinet.

PLANNING & DESIGN: FAMILY-SIZE WASHERS – LINE SERIES™ CLASSIC

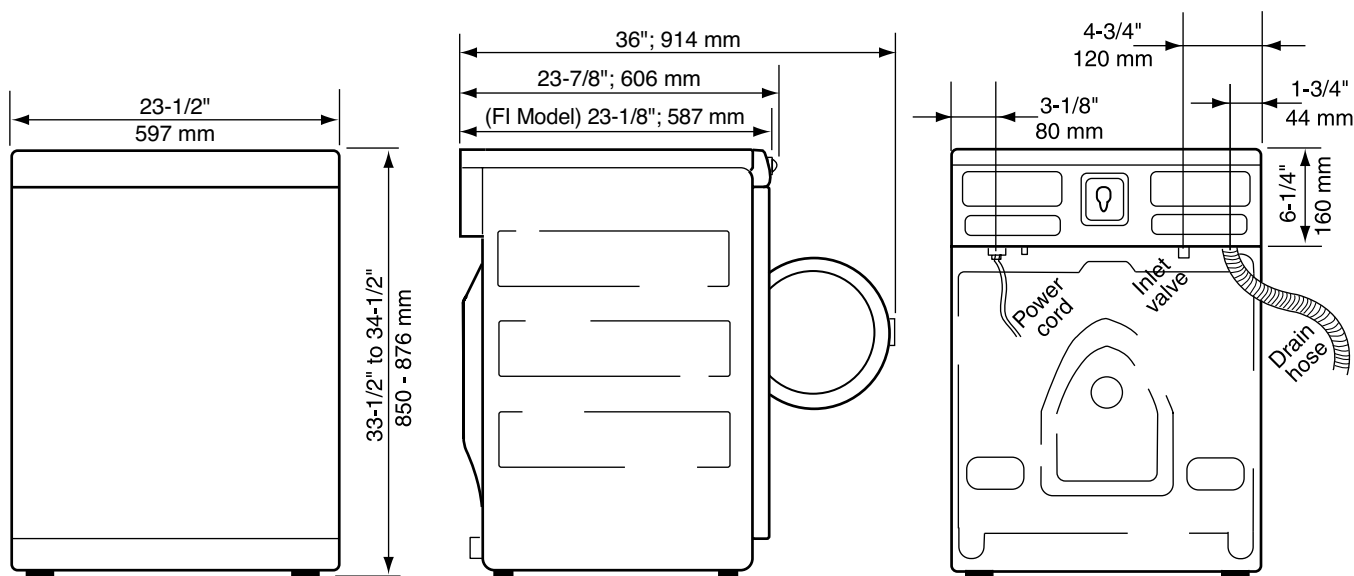
WV6424

Unit Dimensions

	US	METRIC
HEIGHT:	33 ½" – 34 ½"	851 – 876 mm
WIDTH:	23 ½"	597 mm
DEPTH:	23 7/8"	606 mm
DEPTH W/DOOR OPEN:	36"	914 mm
WEIGHT:	172 lbs	78 kg

Technical Data

Supply voltage	Single-phase 220 V, 60 Hz
Water Pressure	15 – 146 psi
Max Wattage	2200 W
Power cord (attached)	220 V, 20 Amp



IMPORTANT: ONLY USE THE WATER SUPPLY HOSE PROVIDED WITH THIS MACHINE. ASKO provides a quality PEX water fill hose that utilizes a US standard 3/4" brass connection fitting for attachment on the water supply / faucet side and a Metric threaded fitting for the washer side connection.

Every ASKO washer is delivered ready-fitted with a plug and is intended for connection to an ASKO dryer, which is equipped with a matching receptacle. If the washer is used separately or with another dryer, it must be on a separate 220 V, 20 Amp single-phase circuit.

Second-floor (above grade) installations must meet all local building codes.

When placing the washer next to a wall or cabinet, be sure to leave 1/4" (6 mm) of space between the washer and the wall or cabinet.

PLANNING & DESIGN: FAMILY-SIZE DRYER – LINE SERIES™

T794FI, T784, T754 Vented Dryers

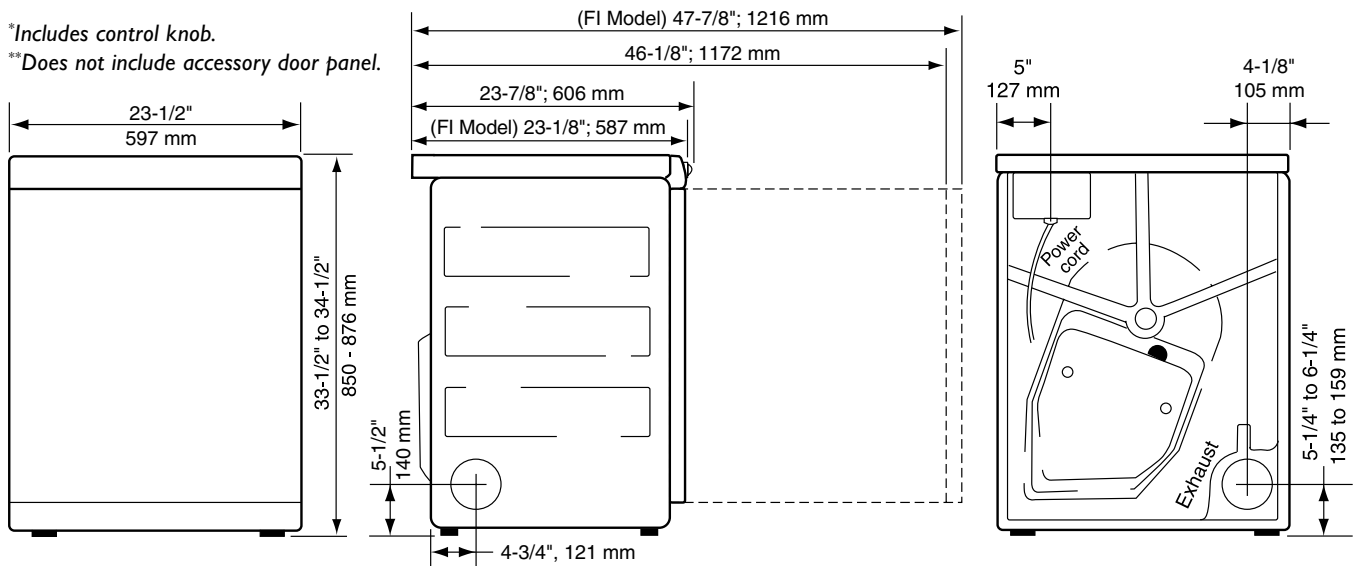
Unit Dimensions

	US	METRIC	
HEIGHT:	33 ½"– 34 ½"	851 – 876 mm	
WIDTH:	23 ½"	597 mm	
DEPTH:	T753 T793FI T783	23 7/8" * 23 1/8" ** 23 7/8" *	606 mm 587 mm 606 mm
DEPTH WITH T753	46 1/8"	1172 mm	
DOOR OPEN:T793FI	47 7/8"	1216 mm	
T783	46 1/8"	1172 mm	
WEIGHT:	86 lbs	39 kg	

Technical Data

Supply voltage	Single-phase 220 V, 60 Hz
Max Wattage	3000 W

NOTE: When on a separate outlet, use 220 V, 20 Amp single-phase circuit. When an ASKO washer is connected, use 220 V, 30 Amp single-phase circuit.



The door hinges on ASKO dryers are shipped left-hinged, but they are reversible. See the ASKO Dryer Use and Care Guide for more information.

When placing the dryer next to a wall or cabinet, be sure to leave ¼" (6 mm) of space between the dryer and the wall or cabinet.

See page 35-36 for stacked washer/dryer dimensions.

See pages 38-40 for cutout dimensions for closet and under-cabinet installations.

NOTE: Power cord not supplied with unit.

Specifications are subject to change without notice. See installation instructions for additional details.

Venting Requirements

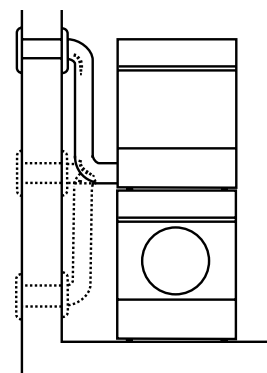
WARNING! To reduce the risk of fire, vented dryers must be exhausted OUTDOORS or the equivalent.

Never cover the end of the dryer stub or vent hose with anything to catch lint, except for a UL-approved vent basket.

The exhaust hose should be run with as few bends as possible to the point of discharge. Maximum duct length of 60' (1829 cm) is allowed. Make any bends as gentle as possible. A maximum of four 90° bends may be fitted in the hose, otherwise the performance of the dryer will be impeded. Subtract 4' (122 cm) of duct for each 90° elbow. If more than 20' (210 cm) of duct is needed, we recommend increasing the diameter of the duct to 6" or 8" (152 mm or 203 mm).

If the exhaust hose is taken to a wall outlet, a ventilation grill should be fitted to prevent reverse flow of cold air. Fit the ventilation grill to the outside or inside of the wall.

This appliance should not be exhausted into a chimney, a wall, a ceiling, or a concealed space of a building. Only a metal ventilation grill should be used.



Installation Examples

Subtract 4 feet (122 cm) for every 90° elbow.

PLANNING & DESIGN: FAMILY-SIZE DRYER – LINE SERIES™

T794CFI & T754C Condenser Dryers (Ventless)

Unit Dimensions

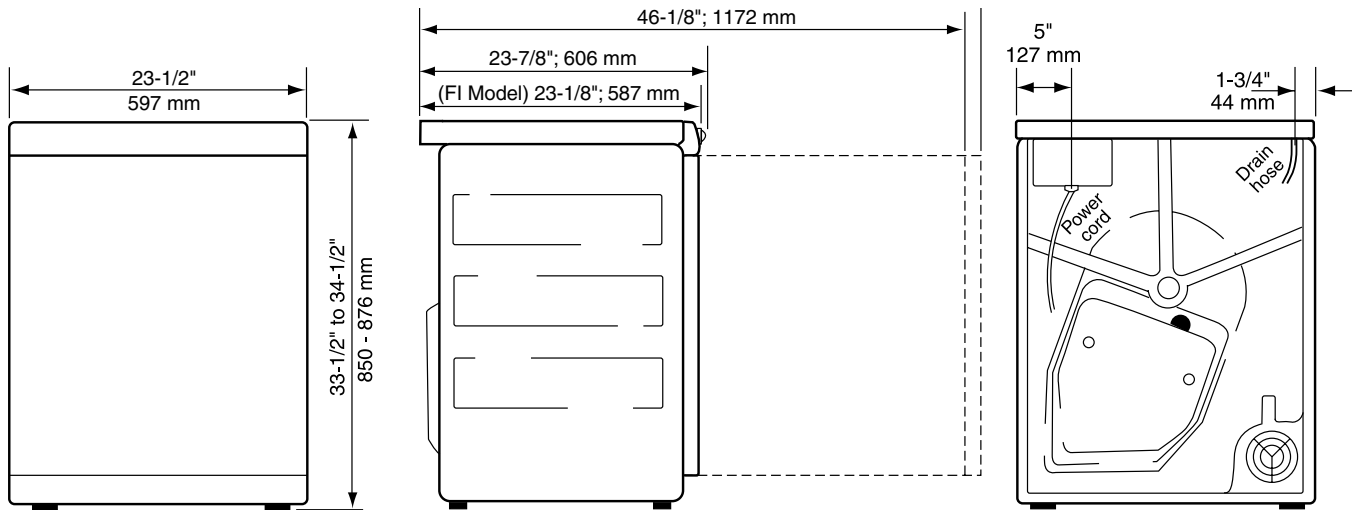
	US	METRIC
HEIGHT:	33 ½" – 34 ½"	851 – 876 mm
WIDTH:	23 ½"	597 mm
DEPTH:	23 7/8"	606 mm
DEPTH W/DOOR OPEN:	46 1/8"	1172 mm
WEIGHT:	104 lbs	47 kg

*Includes control knob.

Technical Data

Supply voltage	Single-phase 220 V, 60 Hz
Max Wattage	2800 W

NOTE: When on a separate outlet, use 220 V, 20 Amp single-phase circuit. When an ASKO washer is connected, use 220 V, 30 Amp single-phase circuit.



The door hinges on ASKO dryers are shipped left-hinged, but they are reversible. See the ASKO Dryer Use and Care Guide for more information.

When placing the dryer next to a wall or cabinet, be sure to leave ¼" (6 mm) of space between the dryer and the wall or cabinet.

NOTE: Condenser dryers require adequate ventilation for proper operation.

NOTE: A louvered door is recommended for closet installations.

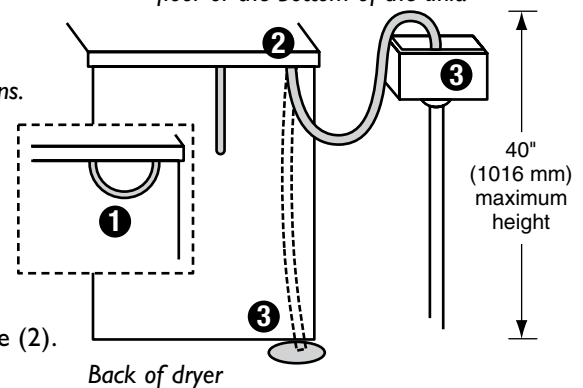
See page 35-36 for stacked washer/dryer dimensions.

See pages 37-40 for cutout dimensions for closet and under-cabinet installations.

Condensation Drain Requirements

You must install the dryer so the condensed water will continuously flow into a drain or sink. To do this, follow the instructions below:

1. Disconnect the short hose (1) from the blue connection. (It's okay to let the hose hang down.)
2. Connect the rubber hose supplied with the dryer to the blue nipple (2).
3. Run the hose to a drain or sink, as illustrated.



NOTE: Power cord not supplied with unit.

NOTE: The drain hose must not be more than 40" (1016 mm) above the floor or the bottom of the unit.

Specifications are subject to change without notice. See installation instructions for additional details.

PLANNING & DESIGN: FAMILY-SIZE STACKED LAUNDRY PAIRS – LINE SERIES™

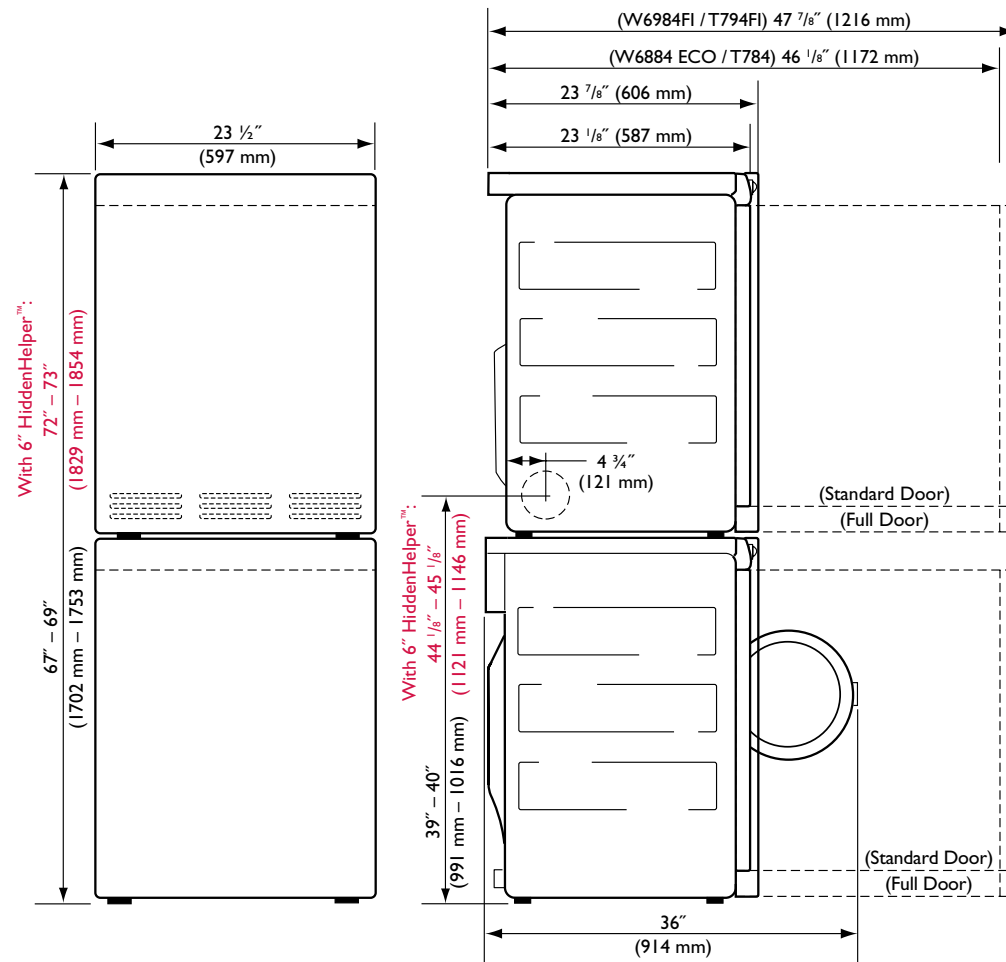
W6984FI/T794FI, T794CFI; W6884 ECO/T784

Dimensions

	US	METRIC
HEIGHT:	67" – 69"	1702 – 1753 mm
HEIGHT W/6" HH:**	73" – 75"	1854 – 1905 mm
WIDTH:	23 ½"	597 mm
DEPTH:	24 7/8"	632 mm
DEPTH W/DOOR OPEN:		
W6984FI/T793FI	47 7/8"	1216 mm
W6884 ECO/T783	46 1/8"	1172 mm
WEIGHT:	258 – 276 lbs	117 – 125 kg

*Includes control knob.

**Height with 6" HiddenHelper™ installed.



When HiddenHelper™ is specified, see pages 47-48.

**Height with 6" (152 mm) HiddenHelper™ installed. The following 6" (152 mm) height HiddenHelpers models are available - H1115, HDB115, HB115.

Specifications are subject to change without notice. See installation instructions for additional details.

Any ASKO family-size dryer can be mounted on top of any matching ASKO washer. Stacking kits are provided with the dryer. Refer to the ASKO Dryer Use and Care Guide for stacking instructions.

Every ASKO family-size washer is delivered ready-fitted with a plug and is intended for connection to an ASKO family-size dryer, which is equipped with a matching receptacle. When an ASKO family-size washer is connected to the dryer, use 220 V, 30 Amp single-phase circuit. When the family-size dryer is on a separate outlet, use 220 V, 20 Amp single-phase circuit. If the washer is used separately or with another dryer, it must be on a separate 220 V, 20 Amp single-phase circuit.

When placing a stacked set next to a wall or cabinet, be sure to leave ¼" (6 mm) of space between the washer and the wall or cabinet.

NOTE: Condenser dryers require adequate ventilation for proper operation. A louvered door is recommended for closet installations.

ASKO family-size condenser dryers must be installed to continuously drain through a hose attached to the rear of the machine. To ensure proper drainage, the drain must not be higher than 40" (1016 mm) above the bottom of the dryer.

See page 33 for venting requirements.

See page 34 for condensation drain requirements.

See page 38 for stacked cabinet or closet installation dimensions.

WARNING! Never stack a washer on top of a dryer!

WARNING! To reduce the risk of fire, vented dryers must be exhausted OUTDOORS or the equivalent.

Never cover the end of the dryer stub or vent hose with anything to catch lint, except for a UL-approved vent bucket.

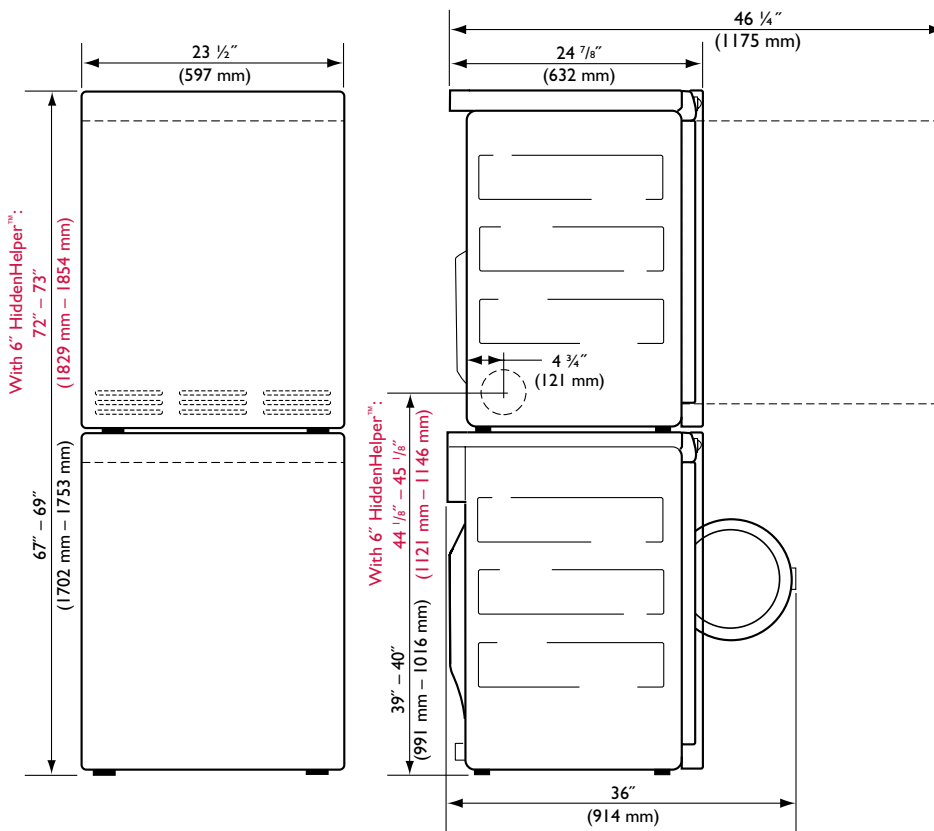
PLANNING & DESIGN: FAMILY-SIZE STACKED LAUNDRY PAIRS – LINE SERIES™ CLASSIC W6424/T754, W6424/T754C Condenser Dryer (Ventless)

Dimensions

	US	METRIC
HEIGHT	67"– 69"	1702 – 1753 mm
HEIGHT W/6" HH:**	73"– 75"	1854 – 1905 mm
WIDTH:	23 ½"	597 mm
DEPTH:	24 7/8"	632 mm
WEIGHT:	247 – 265 lbs	112 – 120 kg

*Includes control knob.

**Height with 6" (152 mm) HiddenHelper™ installed. The following 6" (152 mm) height HiddenHelpers models are available – H1115, HDB115, HB115.



**No venting required for condenser dryer (T753C). When HiddenHelper™ is specified, see pages 42-43. The following 6" (152 mm) height HiddenHelpers models are available H1115, HDB115, HB115.

Any ASKO family-size dryer can be mounted on top of any matching ASKO washer. Stacking kits are provided with the ASKO family-size dryer. Refer to the ASKO family-size dryer Use and Care Guide for stacking instructions.

Every ASKO family-size washer is delivered ready-fitted with a plug and is intended for connection to an ASKO family-size dryer which is equipped with a matching receptacle. When an ASKO family-size washer is connected to the ASKO family-size dryer, use 220 V, 30 Amp single-phase circuit. When the ASKO family-size dryer is on a separate outlet, use 220 V, 20 Amp single-phase circuit. If the washer is used separately or with another dryer, it must be on a separate 220 V, 20 Amp single-phase circuit.

When placing a stacked set next to a wall or cabinet, be sure to leave ¼" (6 mm) of space between the washer and the wall or cabinet.

NOTE: Condenser dryers require adequate ventilation for proper operation. A louvered door is recommended for closet installations.

ASKO condenser dryers must be installed to continuously drain through a hose attached to the rear of the machine. To ensure proper drainage, the drain must not be higher than 40" (1016 mm) above the bottom of the dryer.

See page 33 for venting requirements.

See page 34 for condensation drain requirements.

See page 38 for stacked cabinet or closet installation dimensions.

WARNING! Never stack a washer on top of a dryer!

WARNING! To reduce the risk of fire, vented dryers must be exhausted OUTDOORS or the equivalent.

Never cover the end of the dryer stub or vent hose with anything to catch lint,

PLANNING & DESIGN: DRYING CABINETS – FAMILY-SIZE – LINE SERIES™ DC7583

Dimensions

	US	METRIC
HEIGHT:	72 1/8" – 73 1/8"	1832 – 1857 mm
WIDTH:	23 1/2"	597 mm
DEPTH:	25 1/4"	641 mm
DEPTH W/DOOR OPEN:	46 1/4"	1175 mm
WEIGHT:	132 lbs	60 kg

*Includes 1" for control knob.

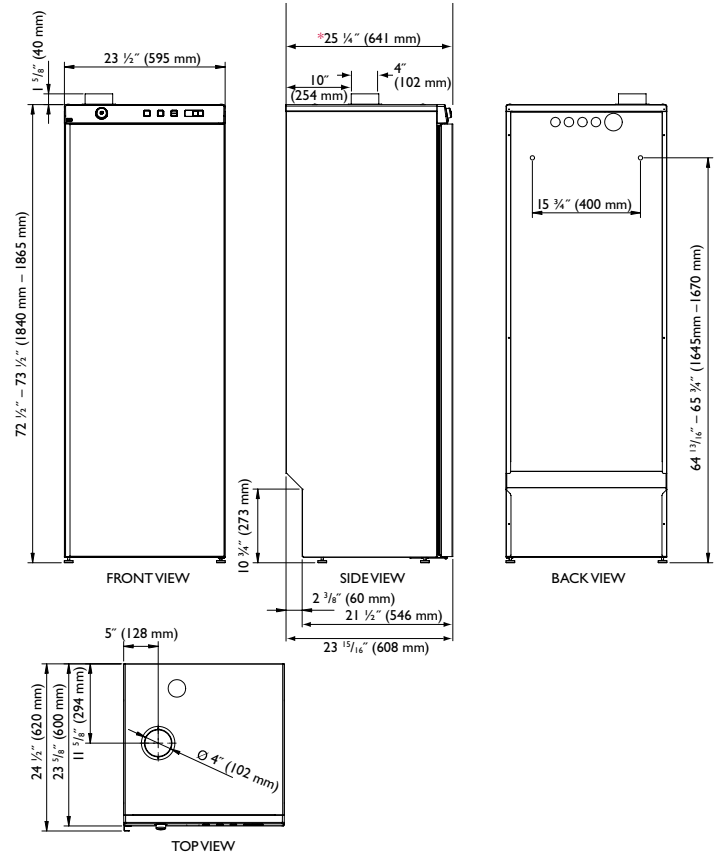
Technical Data

Supply voltage	Single-phase 120 V, 60 Hz, 15 Amp
Heating element	1200 W
Motor	43 W

The drying cabinet must be connected to a 120 volt, single phase, 60Hz grounded wall outlet.

The unit comes with a 79" (2007 mm) power cord attached, but the receptacle should be installed in an easy to reach location that will allow the plug to be removed without moving the drying closet.

When venting, the duct attaches to a 4" (102 mm) round exhaust collar that is approximately 3" (76 mm) high. Drying cabinets vent from the top.



PLANNING & DESIGN: LAUNDRY DRYING CABINET WITH STACKED CABINET INSTALLATIONS

Cutout Dimensions

	US	METRIC
HEIGHT:*	72 5/8" – 73 5/8"	1845 – 1870 mm
WIDTH:	48"	1220 mm
DEPTH:	25 1/4"	641 mm

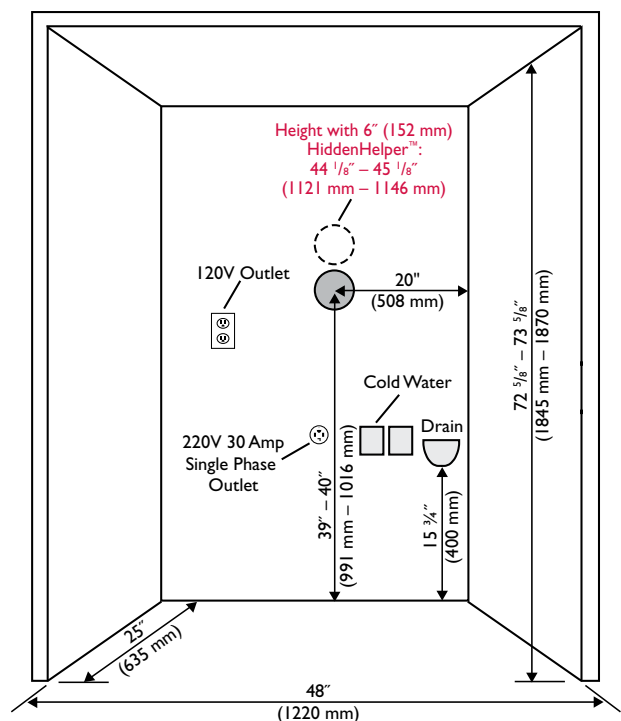
*Height does not include the height of any vent duct materials.

The minimum clearance between the sides, back and top of the unit and the cabinet should be at least 1/4" (6 mm).

The drying cabinet exhaust collar should be connected to a 4" (102 mm) diameter solid vent pipe with a maximum length of 3'3" (991 mm).

If the location of the drying cabinet installation won't accommodate the preferred venting requirements, the unit may be ducted into the laundry room. **Note:** This is not the preferred method of installation.

It is recommended that the drying cabinet be installed on the side opposite the washer door hinge. Doing so will allow easier transfer of the wash load between the washing machine and the drying cabinet avoiding the open washing machine door.



Specifications are subject to change without notice. See installation instructions for additional details.

PLANNING & DESIGN: FAMILY-SIZE LAUNDRY STACKED CABINET OR CLOSET INSTALLATIONS

ASKO's front controls make it possible to install the washers and dryers under a cabinet or in a closet. Make sure there is a $\frac{1}{4}$ " (6 mm) minimum clearance between units and cabinet or wall. To ensure proper ventilation, we recommend louvered doors, particularly for condenser dryers.

Every ASKO family-size washer is delivered ready-fitted with a plug and is intended for connection to an ASKO family-size dryer which is equipped with a matching receptacle. When an ASKO family-size washer is connected to the ASKO family-size dryer, use 220 V, 30 Amp single-phase circuit. When the ASKO family-size dryer is on a separate outlet, use 220 V, 20 Amp single-phase circuit. If the ASKO family-size washer is used separately or with another dryer, it must be on a separate 220 V, 20 Amp single-phase circuit.

Cutout Dimensions

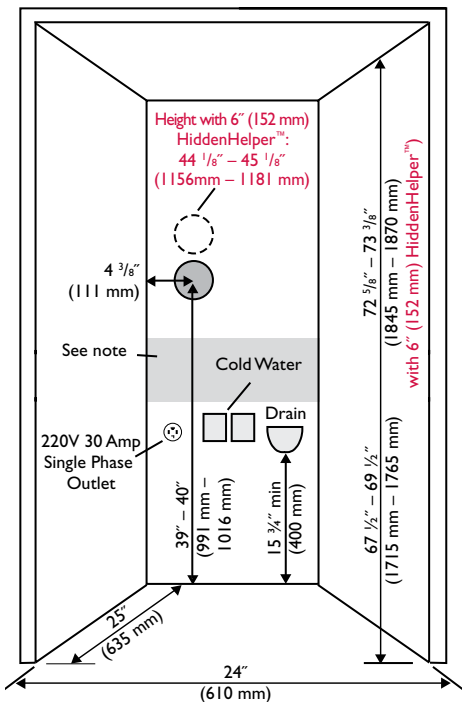
	US	METRIC
HEIGHT:	67 $\frac{1}{2}$ " – 69 $\frac{1}{2}$ "	1715 – 1765 mm
HEIGHT w/HH:*	72 $\frac{5}{8}$ " – 73 $\frac{5}{8}$ "	1845 – 1870 mm
WIDTH:	24"	610 mm
DEPTH:	25"	635 mm

*Height with 6" (152 mm) HiddenHelper™ installed

Vented Dryer Opening

T794FI, T784 and T754 family-size dryers can be vented from the rear, left or right side. The cabinet cutout illustrated below gives the dimensions for a rear exhaust.

See page 33 for venting requirements.



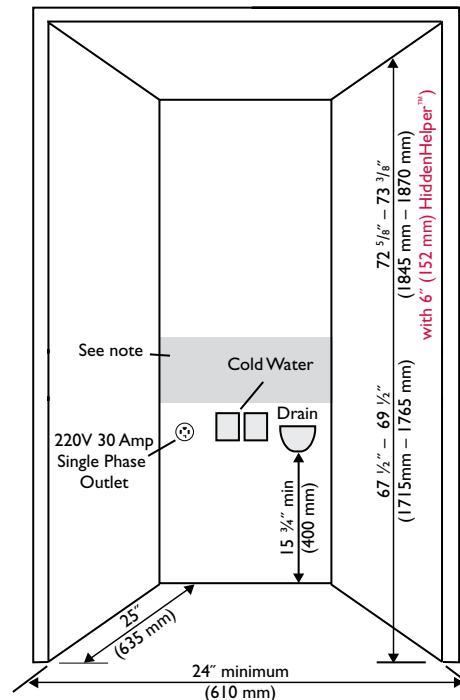
Height does not include the height of any vent duct materials.

Condenser Dryer Opening

ASKO condenser dryers must be installed to continuously drain through a hose attached to the rear of the machine.

To ensure proper drainage, the drain must not be higher than 40" (1016 mm) above the bottom of the dryer.

See page 34 for condensation drain requirements.



Height does not include the height of any vent duct materials.

NOTE: To avoid crimping the electrical and water connections, do not install the hookups between the area of 26" (660 mm) to 35" (889 mm) from the floor (as indicated by shaded area in illustrations above).

For stacked installations, we recommend a 6' (1829 mm) cord.

Never cover the end of the dryer stub or vent hose with anything to catch lint, except for a UL-approved vent bucket.

When HiddenHelper™ is specified, see pages 46-47. The following 6" (152 mm) height HiddenHelpers models are available - H1115, HDB115, HB115.

WARNING! To reduce the risk of fire, vented dryers must be exhausted OUTDOORS or the equivalent.

NOTE: A louvered door is recommended for closet installations using an ASKO condenser dryer.

Specifications are subject to change without notice. See installation instructions for additional details.

PLANNING & DESIGN: FAMILY-SIZE LAUNDRY SINGLE UNIT CABINET INSTALLATIONS

ASKO's front controls make it possible to install the washers and dryers under a cabinet or in a closet. Make sure there is a ¼" (6 mm) minimum clearance between units and between units and cabinet or wall.

Every ASKO washer is delivered ready-fitted with a plug and is intended for connection to an ASKO dryer, which is equipped with a matching receptacle. When an ASKO washer is connected to the dryer, use 220 V, 30 Amp single-phase circuit. When the dryer is on a separate outlet, use 220 V, 20 Amp single-phase circuit. If the washer is used separately or with another dryer, it must be on a separate 220 V, 20 Amp single-phase circuit.

Cutout Dimensions

	US	METRIC
HEIGHT:	34" – 35"	864 – 889 mm
HEIGHT w/HH:* 40" – 41"		1016–1041 mm
WIDTH:	24"	610 mm
DEPTH:	25"	635 mm

*Height with 6" (152 mm) HiddenHelper™ installed

NOTE: For these installations, a custom countertop may be required.

Vented Dryers

ASKO family-size vented dryers can be vented from the rear, left or right side. The cabinet cutout illustrated below gives the dimensions for a rear or left exhaust.

See page 33 for venting requirements.

WARNING! To reduce the risk of fire, vented dryers must be exhausted OUTDOORS or the equivalent.

Never cover the end of the dryer stub or vent hose with anything to catch lint, except for a UL-approved vent bucket.

Condenser Dryers

ASKO condenser dryers must be installed to continuously drain through a hose attached to the rear of the machine. To ensure proper drainage, the drain must not be higher than 40" (1016 mm) above the bottom of the dryer.

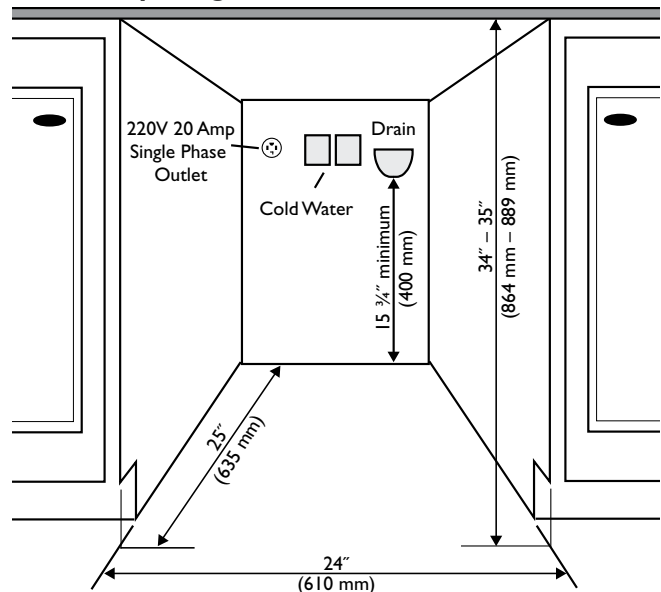
See page 34 for condensation drain requirements.

NOTE: Condenser dryers require adequate ventilation for proper operation.

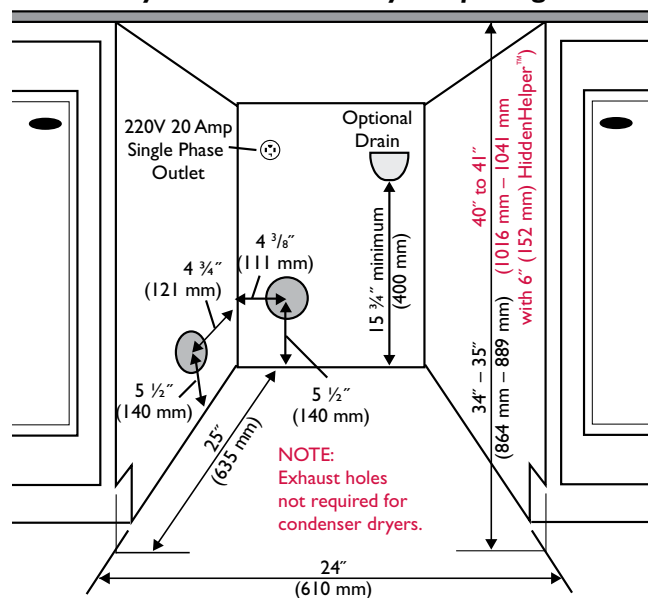
NOTE: A louvered door is recommended for closet installations using an ASKO condenser dryer.

When HiddenHelper™ is specified, see pages 41-43. The following 6" (152 mm) height HiddenHelpers models are available - H1115, HDB115, HB115.

Washer Opening



Vented Dryer / Condenser Dryer Opening



Specifications are subject to change without notice. See installation instructions for additional details.

PLANNING & DESIGN: FAMILY-SIZE LAUNDRY

SIDE-BY-SIDE UNDER-COUNTER INSTALLATIONS

ASKO's front controls make it possible to install the washers and dryers under a cabinet or in a closet. Make sure there is a ¼" (6 mm) minimum clearance between units and between units and cabinet or wall.

Every ASKO family-size washer is delivered ready-fitted with a plug and is intended for connection to an ASKO family-size dryer, which is equipped with a matching receptacle. When an ASKO family-size washer is connected to the ASKO family-size dryer, use 220 V, 30 Amp single-phase circuit. When the ASKO family-size dryer is on a separate outlet, use 220 V, 20 Amp single-phase circuit. If the ASKO family-size washer is used separately or with another dryer, it must be on a separate 220 V, 20 Amp single-phase circuit.

ASKO's front controls make it possible to install the washers and dryers under a cabinet or in a closet. Make sure there is a ¼" (6 mm) minimum clearance between units and between units and cabinet or wall.

Every ASKO family-size washer is delivered ready-fitted with a plug and is intended for connection to an ASKO family-size dryer, which is equipped with a matching receptacle. When an ASKO washer is connected to the dryer, use 220 V, 30 Amp single-phase circuit. When the dryer is on a separate outlet, use 220 V, 20 Amp single-phase circuit. If the ASKO family-size washer is used separately or with another dryer, it must be on a separate 220 V, 20 Amp single-phase circuit.

NOTE: To avoid crimping the electrical and water connections, do not install the hookups between the area of 26" (660 mm) to 35" (889 mm) from the floor.

Washer and Vented Dryer

T794FI, T784 and T754 family-size dryers can be vented from the rear, left or right side. The cabinet cutout illustrated at right gives the dimensions for a rear and left exhaust. See page 33 for venting requirements.

WARNING! To reduce the risk of fire, vented dryers must be exhausted OUTDOORS or the equivalent.

Never cover the end of the dryer stub or vent hose with anything to catch lint, except for a UL-approved vent bucket.

Washer and Condenser Dryer

ASKO condenser dryers must be installed to continuously drain through a hose attached to the rear of the machine. To ensure proper drainage, the drain must not be higher than 40" (1016 mm) above the bottom of the dryer. See page 37 for condensation drain requirements.

NOTE: Condenser dryers require adequate ventilation for proper operation.

NOTE: A louvered door is recommended for closet installations using T754C condenser dryer.

Specifications are subject to change without notice. See installation instructions for additional details.

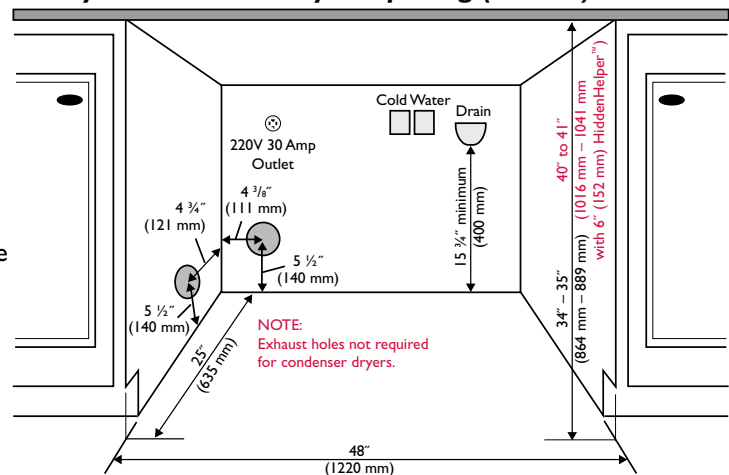
Cutout Dimensions

	US	METRIC
HEIGHT:	34" – 35"	864 – 889 mm
HEIGHT w/HH:* 40" – 41"		1016 – 1041 mm
WIDTH:	48"	1220 mm
DEPTH:	25"	635 mm

*Height with 6" (152 mm) HiddenHelper™ installed

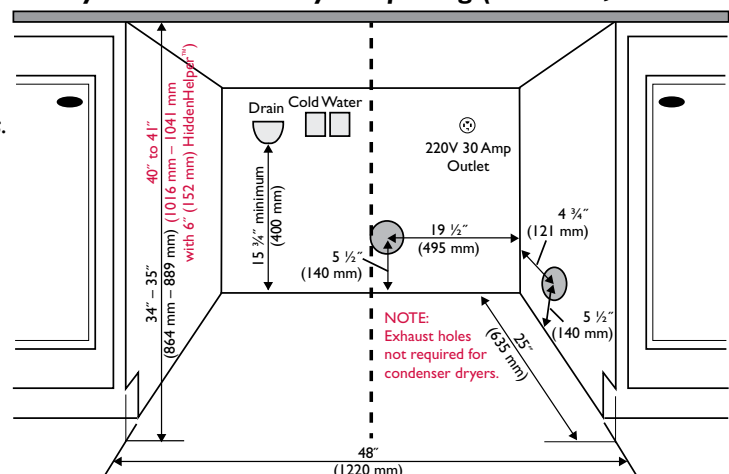
NOTE: For these installations, a custom countertop may be required.

Family-size Washer / Dryer Opening (W6424)



*Use when outer doors are reversed.

Family-size Washer / Dryer Opening (W6984FI, W6884 ECO)



When HiddenHelper™ is specified, see pages 47-48.

NOTE: A separation strip can be used vertically in the center of opening to separate washer and dryer to provide a cosmetic reveal cover. Additional width with cut out dimension should be added to accommodate.

If possible, provide a rear access panel to enable access to water, electrical & drain outlets in back.

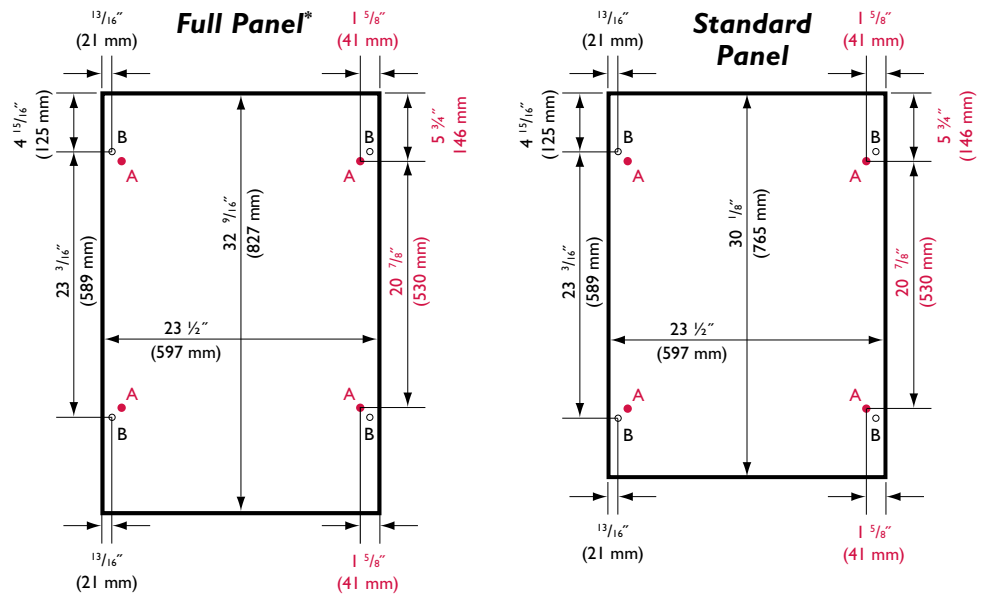
PLANNING & DESIGN: FAMILY-SIZE LAUNDRY FI DOOR PANELS

Standard panels must be used with condenser dryers, for proper ventilation, or applications where a 4" (102 mm) toe kick space is needed. Full panel used for vented dryers on installations where no toe kick space is necessary – the toe kick air intake panel (plinth) must be removed.

A = Key Holes (4)

B = Mounting Screws (4)

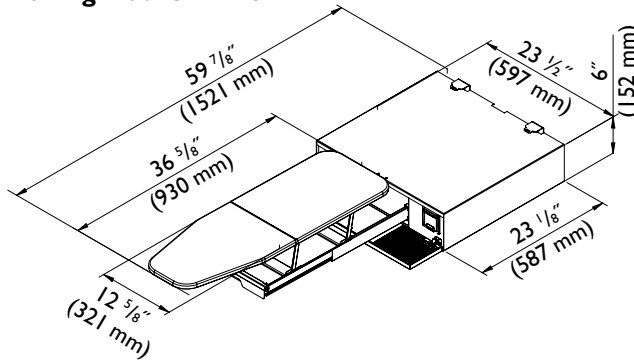
Dimensions shown apply to both left and right sides of panels.



*** If you choose the Full panel option for the T794FI (vented), the toe kick air intake panel (plinth) must be removed to provide adequate air intake.**

PLANNING & DESIGN: FAMILY-SIZE LAUNDRY HIDDENHELPERS™

Ironing Board H1115



In order for the ironing board to fully extend, either a flush mount with edge of counter or a 1 1/2" (38 mm) clearance between the ironing board chassis and counter is required.

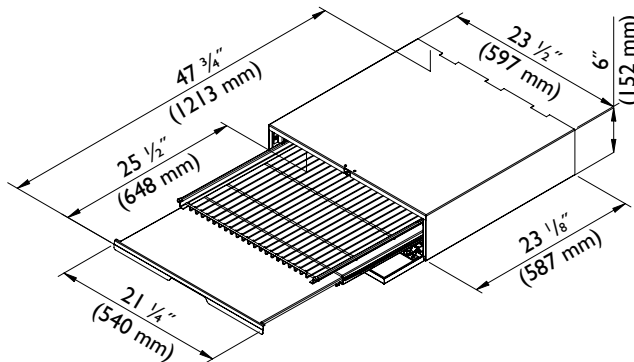
Dimensions

IRONING BOARD	US	METRIC
HEIGHT:	6"	152 mm
WIDTH:	23 1/2"	597 mm
DEPTH:	23 1/8"	587 mm
DEPTH AT MAX. REACH:	59 7/8"	1521 mm
IRONING BOARD DIMENSIONS:	36 5/8" L x 12 5/8" W	930 mm x 321 mm
SLEEVE INSERT WIDTH (Optional):	16 3/4"	425 mm
WEIGHT:	47 lbs	21 kg

Power for Ironing Board

Supply voltage: Single-phase 120 V, 60 Hz, 15 Amp

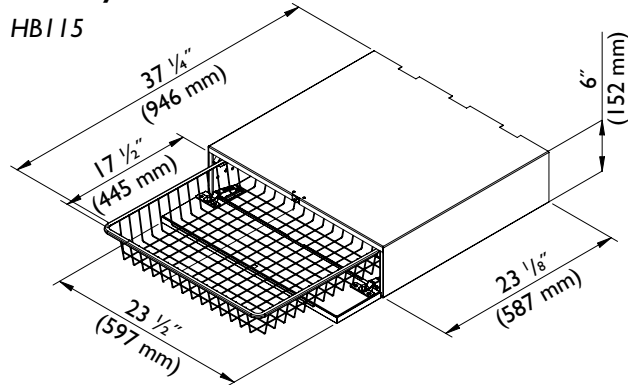
Double Shelf HDB115



DOUBLE SHELF	US	METRIC
HEIGHT:	6"	152 mm
WIDTH:	23 1/2"	597 mm
DEPTH:	23 1/8"	587 mm
DEPTH AT MAX. REACH:	47 3/4"	1213 mm
SHELF WORKING SURFACE:	25 1/2" L x 21" W	648 mm x 533 mm
BASKET WORK AREA:	18 3/4" L 19 3/4" W	476 mm 502 mm
WEIGHT:	55 lbs	25 kg

Laundry Care Basket

HBI15



SINGLE BASKET	US	METRIC
HEIGHT:	6"	152 mm
WIDTH:	23 1/2"	597 mm
DEPTH:	23 1/8"	587 mm
DEPTH AT MAX. REACH:	37 1/4"	946 mm
BASKET WORK AREA:	17 1/2" L x 19" W	445 mm x 483 mm
WEIGHT:	32 lbs	15 kg

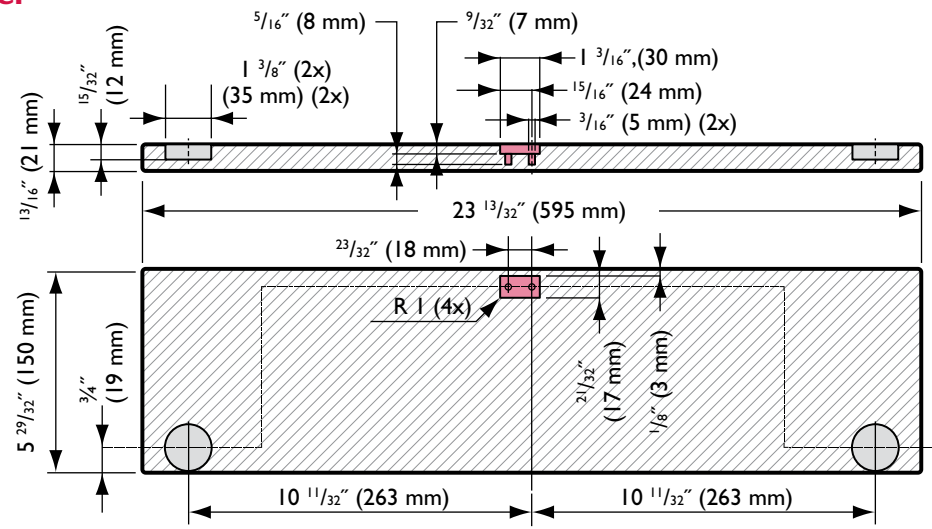
PLANNING & DESIGN: FAMILY-SIZE LAUNDRY
HIDDENHELPERS™

HiddenHelper™ FI Door Panel

Fitting and countersink instructions for integrated door.



FI accessory door catch
 8082039



Specifications are subject to change without notice. See installation instructions for additional details.

