

PLANNING & DESIGN: FAMILY-SIZE WASHERS – LINE SERIES™ STYLE

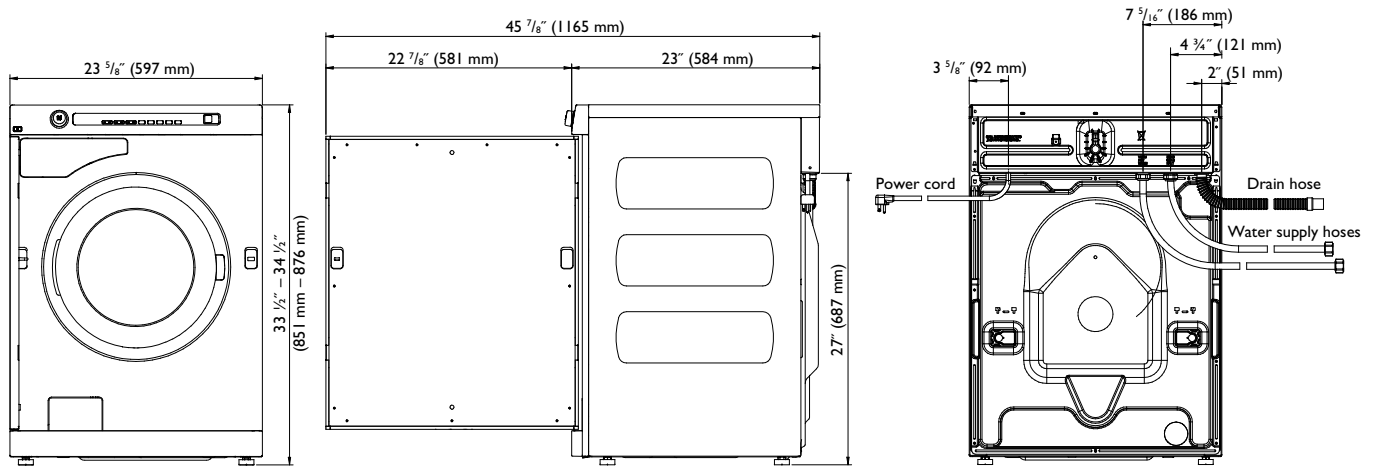
W6884W ECO

Unit Dimensions

	US	METRIC
HEIGHT:	33 1/2" – 34 1/2"	851 – 876 mm
WIDTH:	23 1/2"	597 mm
DEPTH:	23"	584 mm
DEPTH W/DOOR OPEN:	45 7/8"	1165 mm
WEIGHT:	172 lbs	78 kg

Technical Data

Supply voltage	Single-phase 220 V, 60 Hz
Water Pressure	15-146 psi
Max Wattage	2200 W
Power cord (attached)	220 V, 20 Amp



IMPORTANT: ONLY USE THE WATER SUPPLY HOSE PROVIDED WITH THIS MACHINE. ASKO provides a quality PEX water fill hose that utilizes a US standard 3/4" brass connection fitting for attachment on the water supply / faucet side and a Metric threaded fitting for the washer side connection.

Every ASKO washer is delivered ready-fitted with a plug and is intended for connection to an ASKO dryer, which is equipped with a matching receptacle. If the washer is used separately or with another dryer, it must be on a separate 220 V, 20 Amp single-phase circuit.

Second-floor (above grade) installations must meet all local building codes.

When placing the washer next to a wall or cabinet, be sure to leave 1/4" (6 mm) of space between the washer and the wall or cabinet.