

W6984FI



W6984FI

Type: Front-load washer with side-hinged inner door. Fully Integrated (FI) design model requires exterior accessory door panel or owner supplied wood panel
Colors: Titanium cabinet and interior door. Optional accessory door panels in Touchproof™ Stainless Steel, White and Black or consumer supplied custom wood panel

PROGRAMS

Auto wash, Stain care, Time choice, Sani, White, Color, Quick, Everyday wear, PermaPress, Wool, Delicate, Rinse and Spin & Drain

OPTIONS

Prewash (2hr), Anti-crease (2hr), High water level, Super rinse (up to 7 rinses), Delay Start (24 hrs), Spin speeds 400-1800 RPM speed, No spin/no drain and Temperatures from cold to 205°F

CAPACITY

UltraCare family size – 2.12 cu. ft. or 2.44 IEC

ENVIRONMENTAL

Energy Star® rated, Majority of manufacturing components labelled for recycling and Certified ISO14001 for environmental quality

TECHNOLOGY

Line Series™ Style control with LCD full graphic display, Internal heater produces optimal temperatures during main wash, Automatic load balancing, Electronic automatic door latch and Thermistor electronic thermostat ensures accurate wash temperatures within 1½°F

CONSTRUCTION

New ActiveDrum™, Quattro-suspension system, SmartSeal-solid rubber door gasket, Stainless Steel inner/outer drum, Heavy duty induction motor, Galvanized steel base, Cast iron rear flywheel, ISO9001 certified for quality standards and noise level 41 dB(A) wash / 70 dB(A) spin

SIMPLICITY/COMFORT

LCD full graphic display, Complies with ADA (American Disability Act) accessibility guidelines, Countdown time display, Program memory, End of program signal, Auto door opening, Remaining time indicator, 24" width exterior cabinet for more convenient & flexible installations, 12 languages and Swing-out detergent dispenser

SAFETY

6 fold Aqua Block System and Child-safe start option

WARRANTY

Industry leading 2 Plus 1 warranty – up to three years



ASKO



Family Size Washers - Line Series

W6984FI, W6424

Unit Dimensions

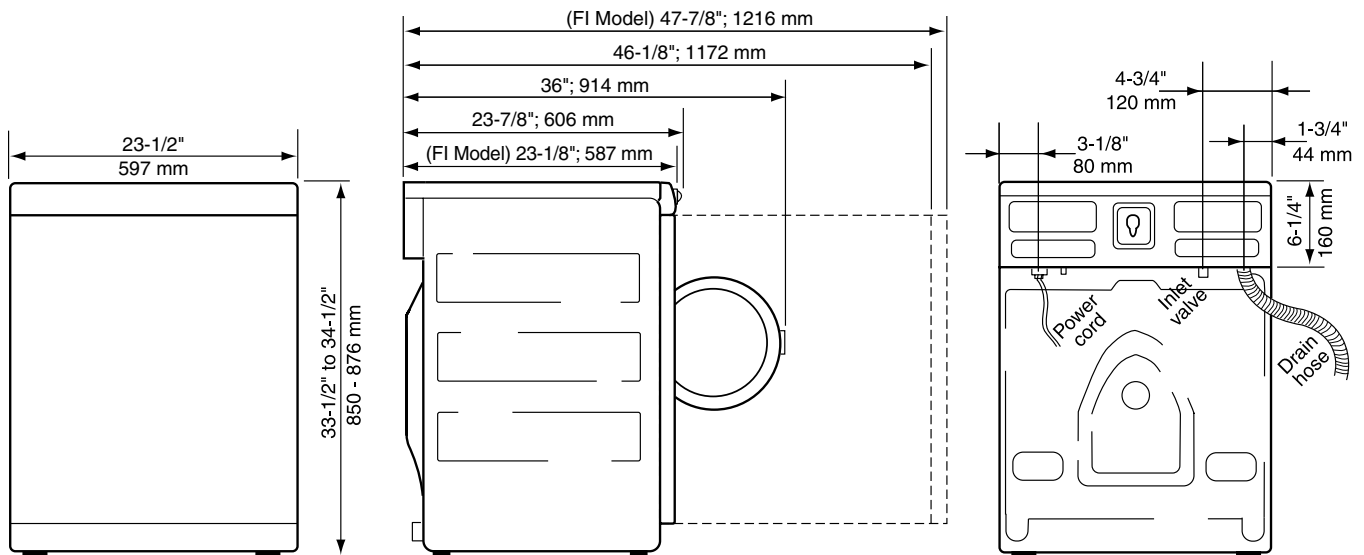
	US	METRIC
HEIGHT	33-1/2"–34-1/2"	850–876 mm
WIDTH	23-1/2"	597 mm
DEPTH: W6984FI	23-1/8" **	587 mm
W6424	23-7/8"	606 mm
DEPTH W/DOOR OPEN:		
W6984FI	47-7/8"	1216 mm
W6424	46-1/8"	1172 mm
WEIGHT	172 lbs	78 kg

*Includes control knob.

**Does not include accessory door panel.

Technical Data

Supply voltage	Single-phase 220 V, 60 Hz
Water Pressure	15-146 psi
Heating element	2000 W
Power cord (attached)	220 V, 20 Amp



Every ASKO washer is delivered ready-fitted with a plug and is intended for connection to an ASKO dryer, which is equipped with a matching receptacle. If the washer is used separately or with another dryer, it must be on a separate 220 V, 20 Amp single-phase circuit.

Second-floor (above grade) installations must meet all local building codes.

When placing the washer next to a wall or cabinet, be sure to leave 1/2" (12 mm) of space between the washer and the wall or cabinet.

See page 38 for stacked washer/dryer dimensions.

See pages 42-44 for cutout dimensions for closet and under-cabinet installations.

Specifications are subject to change without notice. See installation instructions for additional details.