

# Perlick®

## 48" Signature Series

### Refrigerator/Beverage Center

Model Nos. □ HP48RB-S

Job \_\_\_\_\_  
Area \_\_\_\_\_  
Item No. \_\_\_\_\_  
Model No. \_\_\_\_\_



HP48RB-S-3L-3R



#### Features

- Multi-door undercounter refrigerator and beverage center
- Designed with fully-integrated depth to allow flush fit with surrounding cabinetry (with 3/4" wood overlay)
- Zero-clearance hinging allows for abutment with surrounding cabinetry
- Front-vented, forced-air refrigeration
- **Industry Exclusive** full-extension shelving
- **Industry Exclusive** stainless steel interior
- Two (2) year full warranty on complete unit - additional four (4) year limited warranty on the sealed refrigeration system
- **Industry Exclusive** convertible door design allows all doors to be converted to wood overlay from stainless steel
- Low E, UV coated glass provides industry leading insulation and protection
- Door locks available
- **Industry Exclusive** drawer locks available
- Interior digital display
- 12.3 cubic feet of capacity
- 

#### 48" Refrigerator/Beverage Center Features

- Refrigerator zone features two (2) full-extension pull-out shelves
- Beverage Center zone features two (2) full-extension wine racks and one (1) full extension shelf
- Refrigerator rated for both food and beverage storage
- Stainless steel ball bearing glides provide smooth movement of shelves
- Shelves are removable and adjustable to accommodate oversize (magnum) bottles
- Cabinet construction eliminates vibration transfer to reserve

*Luxury* YOU DESIRE  
INNOVATION YOU CAN'T LIVE WITHOUT

Form No.080210  
Rev. 01.26.2012



8300 W. Good Hope Rd. • Milwaukee, WI 53223  
1-800-558-5592 • Fax: (414) 353-7069 • perlick.com

Perlick is committed to continuous improvement. Therefore, we reserve the right to change specifications without warning.

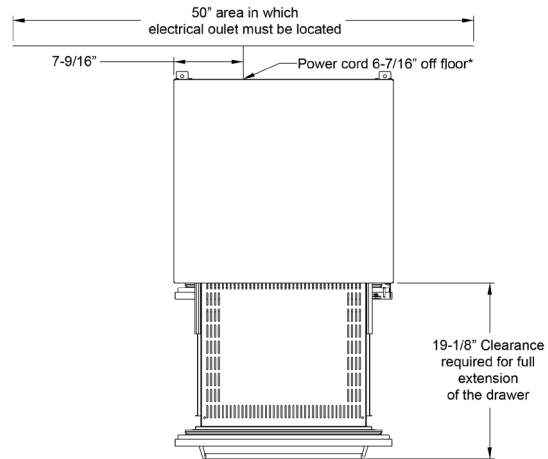
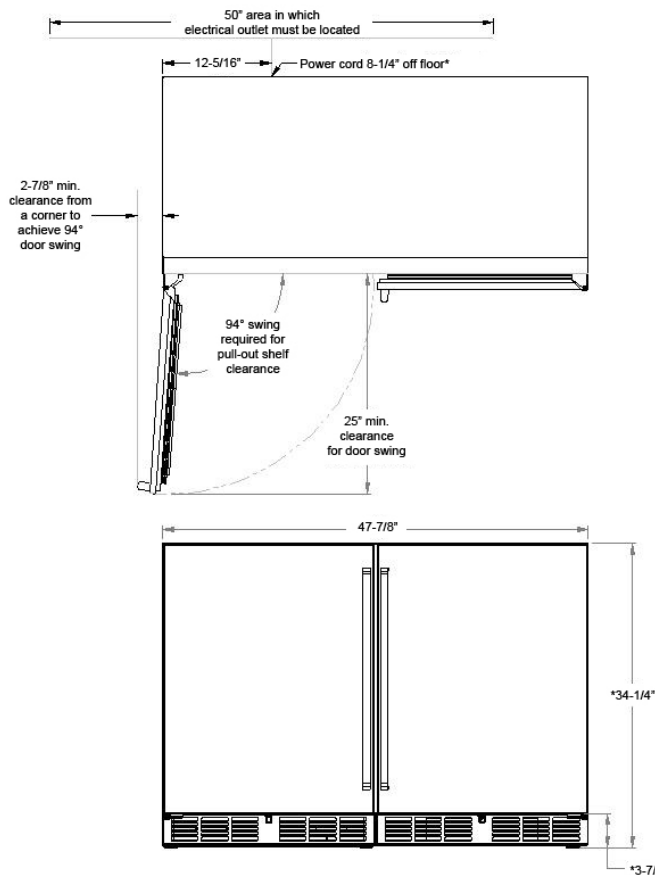
## 48" Signature Series Refrigerator/Beverage Center

Indoor Models	Refrigerator/Beverage Center
HP48RB-S	48" Refrigerator/Beverage Center

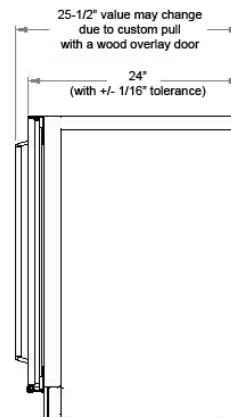
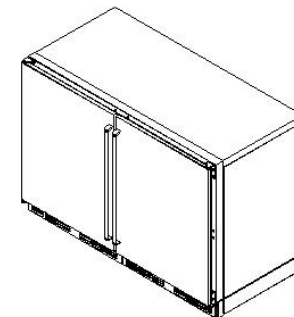
Refrigerator Door Options
1 - Solid Stainless Door (left or right hinge)
2 - Solid Wood Overlay Door (left or right hinge)
3 - Stainless Glass Door (left or right hinge)
4 - Wood Overlay Glass Door (left or right hinge)
5 - Solid Stainless Steel Drawers
6 - Solid Wood Overlay Drawers

Beverage Center Options
1 - Solid Stainless Door (left or right hinge)
2 - Solid Wood Overlay Door (left or right hinge)
3 - Stainless Glass Door (left or right hinge)
4 - Wood Overlay Glass Door (left or right hinge)

<b>Overall Width</b>	47-7/8", 121.603 cm
<b>Overall Height</b>	34-1/4", 86.995 cm
<b>Overall Depth</b>	24", 60.96 cm
<b>Capacity</b>	12.3 cubic ft.
<b>Min. Height Req.</b>	34-3/8"
<b>Door Swing Clearance</b>	24-13/16"
<b>Electrical:</b>	115V. 60 Hz, 1 phase AC, 2.3 amps
<b>Plumbing:</b>	none required
<b>Shipping Weight:</b>	360 lbs.



\* Leg levelers can add 3/4" to these dimensions when fully extended



Form No.080210  
Rev. 01.26.2012



**8300 W. Good Hope Rd. • Milwaukee, WI 53223**  
**1-800-558-5592 • Fax: (414) 353-7069 • perlick.com**

Perlick is committed to continuous improvement. Therefore, we reserve the right to change specifications without warning.