



Installation & Operation Manual

24", 48" & 72" Signature Series

Freezer

Freezer Drawers

Refrigerator

Refrigerated Drawers

Beer Dispenser

Beverage Center

Wine Reserve



INTRODUCTION

Congratulations on your purchase of a Perlick residential refrigeration product. Perlick has taken its expertise and experience into creating the highest quality and most innovative residential products on the market. Perlick's product offering gives you the opportunity to enjoy the functionality and user friendliness in just about any room of your home, including kitchens, bedrooms, entertainment rooms, basements and even bathrooms. All Perlick products are built with commercial-grade stainless steel – providing you with the beauty and durability for a lifetime of use.

This Installation and Operation Manual will answer your questions about the features, operation and maintenance of your Refrigerated Cabinet model. If you have questions that are not addressed here, call 800 558-5592.

IMPORTANT

PLEASE READ all instructions completely before attempting to install or operate the unit. First, as you follow these Installation and Operation instructions, take particular note of the **DANGER!**, **CAUTION!** and **WARNING!** symbols when they appear. This information is important for the safe and efficient installation, operation and care of your Perlick unit.

DANGER

Indicates a hazard that will result in serious injury or death if precautions are not followed.

WARNING

Indicates a hazard may cause serious injury or death if precautions are not followed.

CAUTION

Indicates a hazard where minor injury or product damage may occur if you do not follow instructions.

Once the unit is completely installed, we suggest you keep this manual and purchasing documentation in a safe place for future reference. Should problems occur: refer to the troubleshooting section of this manual. The information will help you quickly identify a problem and get it remedied. In the event you require assistance, please contact the dealer where you purchased your unit.

PLEASE RECORD YOUR MODEL'S INFORMATION

Whenever you call to request information or service, you will need to know your model number and serial number. You can find this information on the serial and identification plate located on the inside ceiling of your unit and on the warranty registration card.

WARRANTY REGISTRATION CARD

The package containing this manual also includes your warranty registration information. Warranty coverage begins on the date your Perlick unit was originally purchased.

IMPORTANT NOTE: Take a moment to read through the included warranty statement and complete and mail the Warranty Registration Card as soon as possible to validate the registration date. An alternative method of completing the Warranty Registration can be accomplished online at www.perlick.com

If you do not complete your Warranty Registration Card on-line or return via U.S. mail, Perlick will use the date of sale as the first date of warranty for your new Refrigerated Cabinet. Please record the purchase date of your Perlick product and your dealer's name, address and telephone number.

MODEL NUMBER: _____

SERIAL NUMBER: _____

PURCHASE DATE: _____

DEALER NAME & ADDRESS:

DEALER PHONE: _____

Table of Contents

INTRODUCTION	3
YOUR MODEL'S INFORMATION	3
WARRANTY REGISTRATION CARD	3
TABLE OF CONTENTS	4
GENERAL PRECAUTIONS	5
INSTALLATION INSTRUCTIONS	
FIGURE 1-3. INSTALLATION SPECIFICATIONS.....	4-5
24" SIGNATURE SERIES DIMENSIONS	6
48" SIGNATURE SERIES DIMENSIONS	7
72" SIGNATURE SERIES DIMENSIONS	8
PREPARING THE SPACE.....	9
PREPARING ELECTRICAL CONNECTIONS.....	9
UNPACKING AND MOVING.....	9
ANTI-TIP-OVER INSTALLATION	10
FIGURE 4. SINGLE DOOR ANTI-TIP LAYOUT	10
FIGURE 5. TWO-DOOR ANTI-TIP LAYOUT	11
FIGURE 6. THREE-DOOR ANTI-TIP LAYOUT	11
INSTALLATION	12
TOE PLATE INSTALLATION	13
FIGURE 8. TOE PLATE INSTALLATION.....	13
DOOR OPTIONS.....	14
HANDLE INSTALLATION.....	14
INSTALLATION OF WOOD OVERLAYS.....	15
FIGURE 10. SOLID WOOD OVERLAY	16
FIGURE 10A. DOOR LOCK - SOLID WOOD OVERLAY	17
FIGURE 11. GLASS WOOD OVERLAY PANEL.....	18
FIGURE 11A. DOOR LOCK - GLASS WOOD OVERLAY PANEL.....	19
FIGURE 12. WOOD DRAWER OVERLAY PANEL	20
FIGURE 12A. DOOR LOCK INSTALLATION - WOOD DRAWER OVERLAY PANEL	21
SHELVING.....	22
FIGURE 13. WOODEN WINE RACK TRIM DESIGN.....	23
OPERATION	
24" SIGNATURE SERIES OPERATION	24
48" SIGNATURE SERIES OPERATION	24
72" SIGNATURE SERIES OPERATION	24
TEMPERATURE CONTROL.....	25
TEMPERATURE CONTROL ADJUSTMENTS	26-28
CHART 1. PRODUCT TEMPERATURE SET POINTS AND RANGES	29
CHECKING PRODUCT TEMPERATURE	30
MAINTENANCE	
CLEANING.....	30
LIGHT BULB REPLACEMENT	30
TROUBLESHOOTING	
GENERAL.....	31-33
WARRANTY.....	33-34

GENERAL PRECAUTIONS

DANGER

Risk of child entrapment, before you throw away your old refrigerator or freezer, take off the doors and leave shelves in place so that children may not easily climb inside.

DANGER

Altering, cutting of the power cord, or removal of the power cord, removal of power plug, or direct wiring can cause serious injury, fire and/or loss of property and/or life and will void the warranty.

WARNING

- Never attempt to repair or perform maintenance on the unit until the electricity has been disconnected.
- The anti-tip kit must be installed on this unit before it is used. Never use the drawers, shelves or doors as steps or to support more than they were designed to support.

CAUTION

- Do not lift unit by drawer or door handles.
- Failure to clean the condenser every three months can cause the unit to malfunction. This could void the warranty.
- Never install the unit behind closed doors. Be sure front louvered toe plate is free of obstruction. Obstructing free airflow can cause unit to malfunction, and may void the warranty.

CAUTION

Use only genuine Perlick replacement parts. Imitation parts can damage the unit, and may void the warranty.

INSTALLATION INSTRUCTIONS

General

- All electrical instructions assume that outlet is located 4 to 10 inches from the floor
- Floor must be level in area of installation. Leg levelers are used for fine-tune adjustment only and should not be used to com-

pensate for floor differences exceeding ½-inch.

- When moving unit into position, take care to protect floor surface with cardboard, rugs, etc.
- Never attempt to move unit without the aid of at least one other person.
- Always secure door shut prior to moving the unit

Finished Opening Requirements

24" Signature Series

- Height:
34-3/8" minimum, 35-1/2" maximum
- Depth: 24"
- Width: 24"

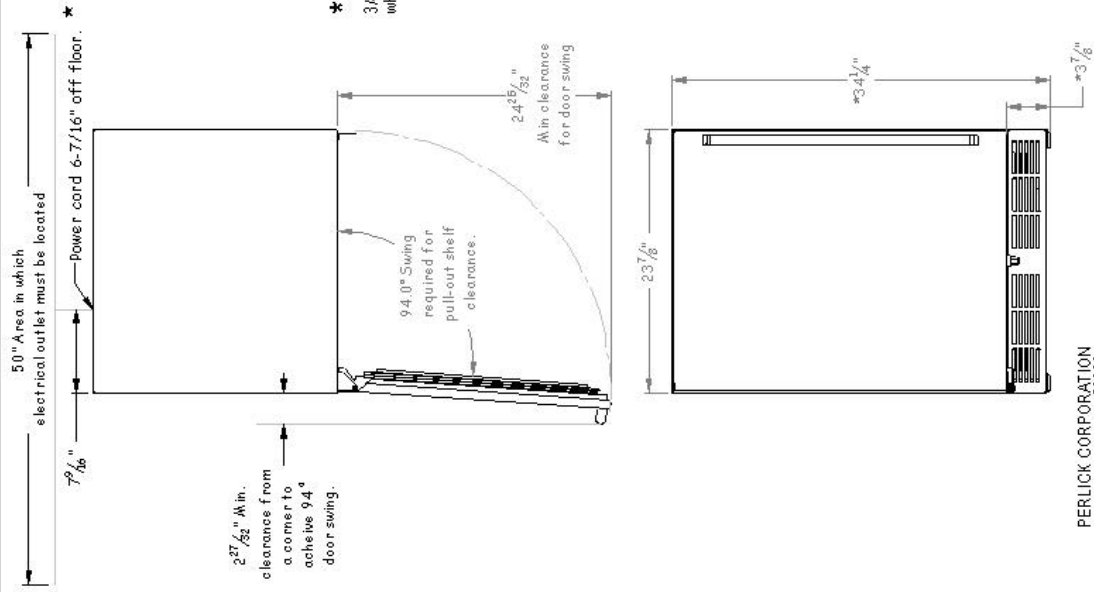
48" Signature Series

- Height:
34-3/8" minimum, 35-1/2" maximum
- Depth: 24"
- Width: 48"

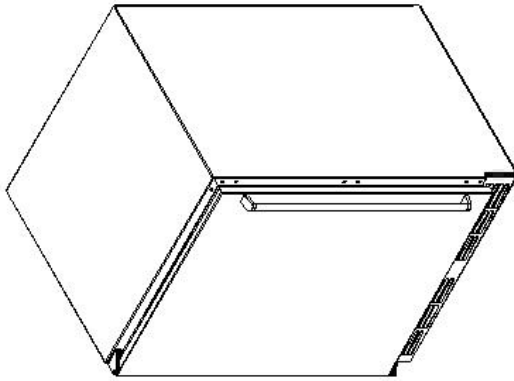
72" Signature Series

- Height:
34-3/8" minimum, 35-1/2" maximum
- Depth: 24"
- Width: 72"

Signature Series HP24 Models



* - Leg levelers can add 3/4" to these dimensions when fully extended.



SCALE: 1:30	DATE: 9/20/09
DR: D-AS	
95005	
SHEET 1 OF 2	
PRINTED 10/13/2009	

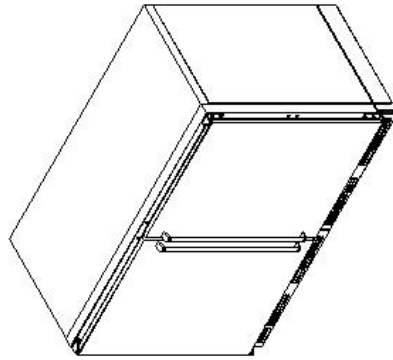
PERLICK CORPORATION
MILWAUKEE, WI 53223
PROPERTY OF THE PERLICK CORP.
NOT TO BE COPIED OR USED WITHOUT REFERENCE TO OUR INTERESTS



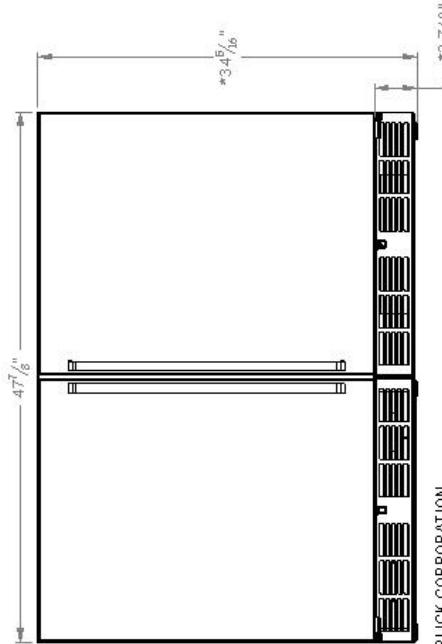
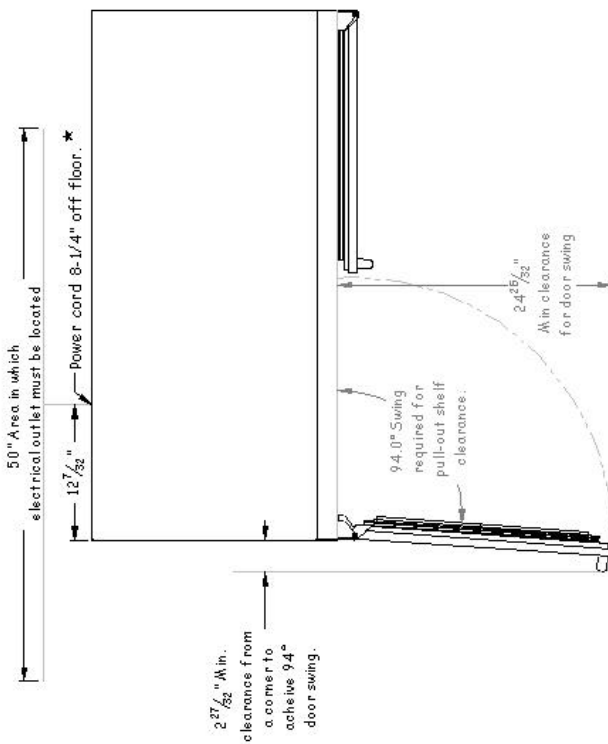
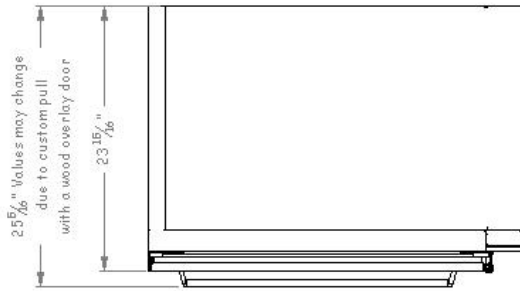
J:\Dwg\95000\95005.slddrw

Figure 1. 24" Signature Series Dimensions

Signature Series HP48 Models



* - Leg levelers can add 3/4" to these dimensions when fully extended...



SCALE: 1:10	DR: D&S	DATE: 3/20/09
95006		
PRINTED 10/13/2009		
SHEET 1 OF 2		

PERLICK CORPORATION
MILWAUKEE, WI 53223

PROPER TYPING OF THE PERLICK CORP.
NOT TO BE COPIED OR USED DETRIMENTAL TO OUR INTERESTS



J:\Dwg\95000\95006.sldprt

Figure 2. 48" Signature Series Dimensions

Signature Series HP72 Models

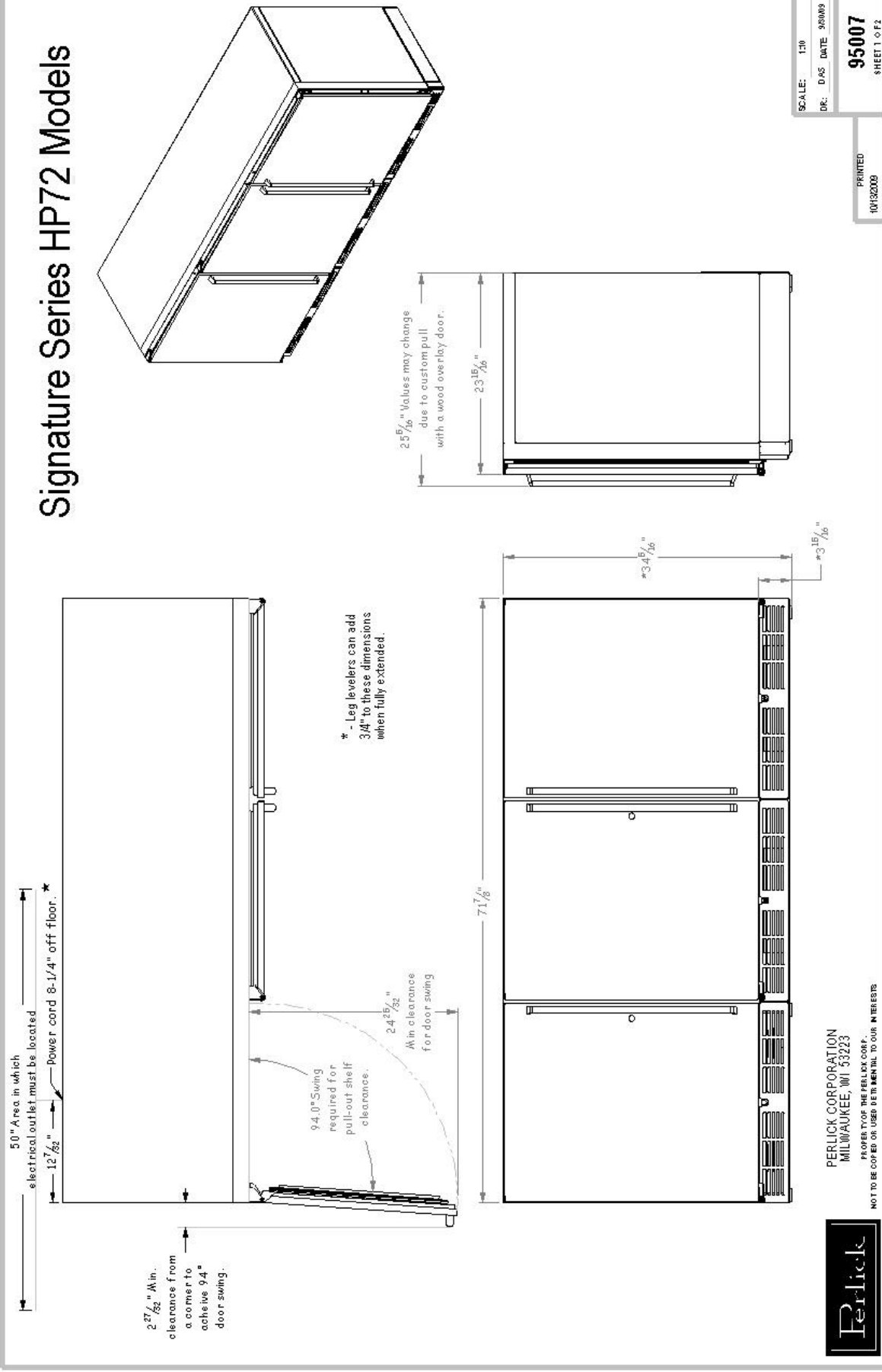


Figure 3. 72" Signature Series Dimensions

PREPARING THE SPACE

Make sure that the opening where the Perlick cabinet(s) is/are to be installed is properly prepared. Refer to Figure 1, 2 and 3 to ensure the space dimensions and electrical service are correct for the models to be installed.

CAUTION

If cabinet is being installed under a counter top it is recommended that the counter top be supported by structure other than the refrigerated cabinet to prevent damage to the counter top.

IMPORTANT NOTE: For a cabinet door to operate properly, the door must open a minimum of 94°. Use a minimum 3-inch filler in corner installations to assure a 94° door opening. Allow 24" clearance in front of the unit for full door swing, shelf pull-out or drawer pull-out.

IMPORTANT NOTE: Make sure the floor under the unit is level with the surrounding finished floor. Protect a finished floor with plywood, cardboard or some other suitable material before moving the unit into place. Failure to do this may result in damage to the floor.

PREPARING ELECTRICAL CONNECTIONS

A 115 volt, 60Hz, 15 amp circuit breaker and electrical supply are required. A separate circuit is required for each Perlick unit installed.

Follow the National Electrical Code and local codes and ordinances when installing the receptacle.

All Perlick units come equipped with a NEMA 5-15P 90° plug with a minimum of 5-feet of cord extending beyond the rear of the cabinet. The electrical outlet must be flush with or recessed into the back wall.

IMPORTANT NOTE: Never use an extension cord to extend the power cord to the electrical receptacle.

DANGER

ELECTROCUTION HAZARD!!

Electrical grounding required. This appliance is equipped with a three prong (grounding) polarized plug for your protection against possible shock hazards.

- Never remove the round grounding prong from the plug.

- Never use a two-prong grounding adapter.
- Never use extension cord to connect power to the unit.

Where a two-prong wall receptacle is encountered or a longer power cord is required, contact a qualified electrician to have it replaced in accordance with applicable electrical codes.

DANGER

Failure to comply with the above electrical guidelines may result in possible injury/death/fire or loss of property.

UNPACKING AND MOVING

CAUTION

Do not cut cardboard sleeve covering the unit. Cutting may result in damage to the exterior of the cabinet.

1. **Uncrate the unit outside on a flat level surface. Remove the cardboard sleeve by removing the banding holding the sleeve to the shipping base. Carefully lift the cardboard sleeve up over the top of the unit.**
2. **Carefully lift unit off base and onto a hand truck or dolly (this should be done with a minimum of two people; larger units may require additional helpers). Make sure unit is balanced on transporting device. Secure unit to transporting device using soft, flexible strapping. Protect unit surfaces with cloth material where strapping contacts unit.**
3. **Before moving unit, secure door to unit with tape to the door closed.**
4. **Carefully move unit to installation site and place in front of opening.**

WARNING

A minimum of two people should lift the unit of the base to prevent possible personal injury.

ANTI-TIP BRACKETS

WARNING

Unit may tip forward if loaded racks/shelves are all pulled out at the same time. To prevent tipping and provide a stable installation, the unit must be secured in place with the anti-tip brackets provided with the unit. A set of metal anti-tip brackets are supplied with the unit. The anti-tip brackets, when properly installed should secure the rear legs and prevent the unit from tipping forward.

Some installation sites may require modification to provide a secure surface for attaching the brackets. Refer to Figure 4, 5 and 6 for mounting bracket locations

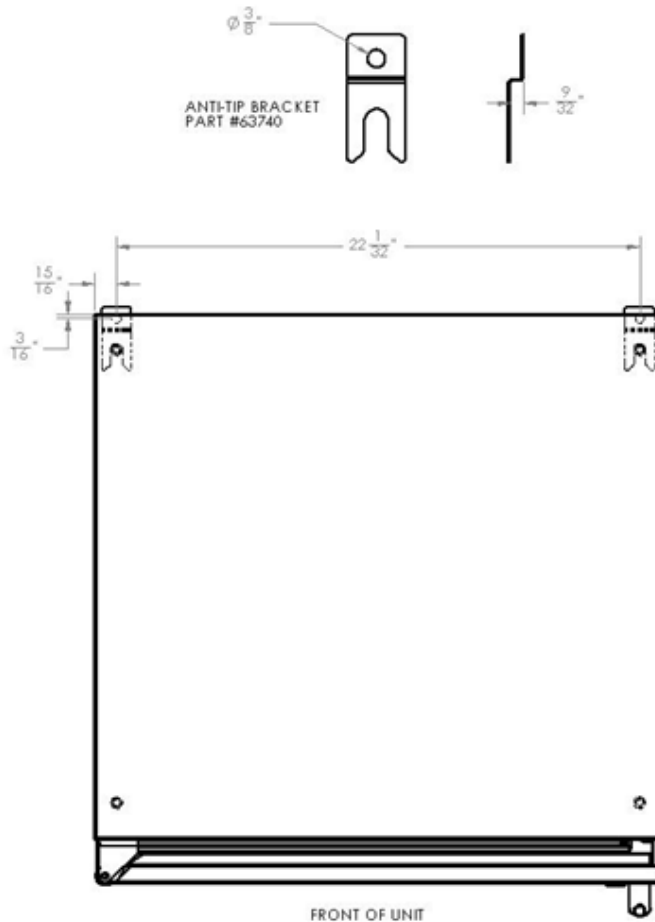
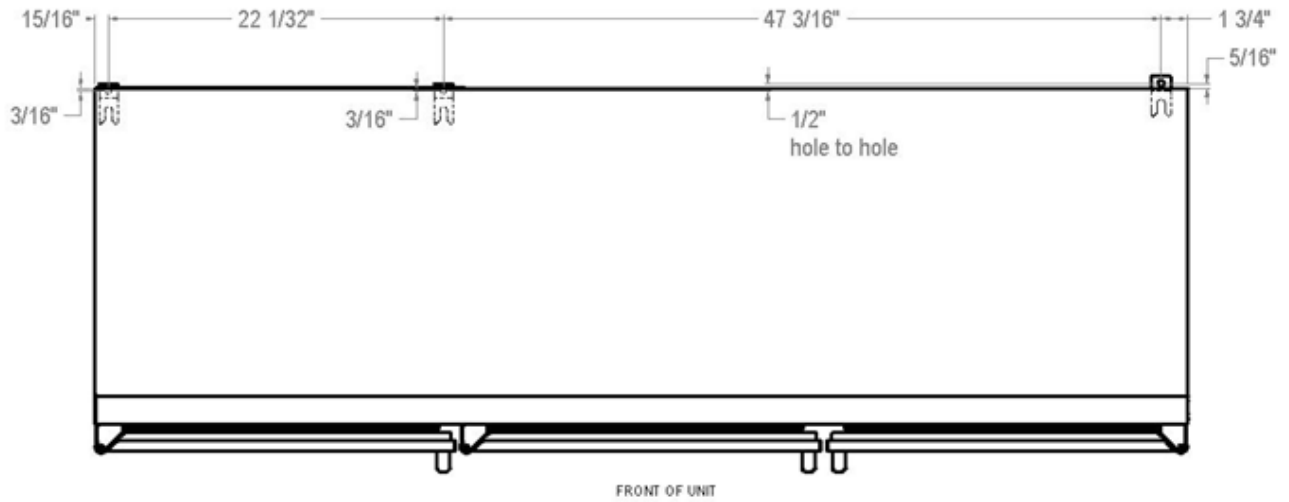
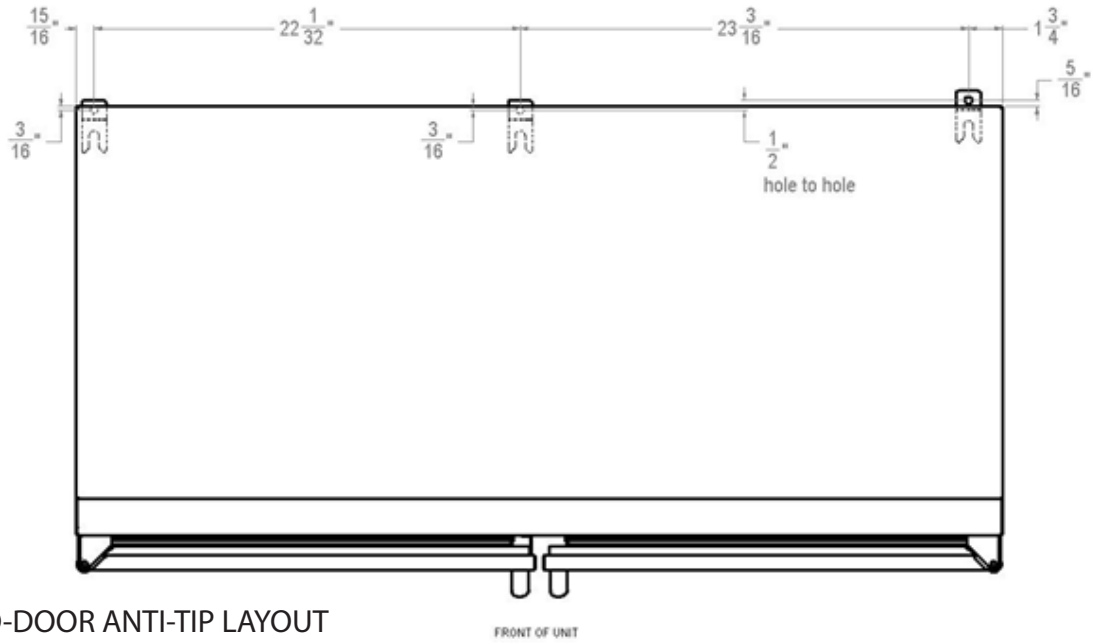


Figure 4. SINGLE DOOR ANTI-TIP LAYOUT



INSTALLATION

IMPORTANT NOTE: If installing on a concrete floor, concrete fasteners are required and not included with the anti-tip kit.

CAUTION

Any finished flooring should be protected with appropriate material to avoid damage from moving the unit.

If unit has been laid on its back or sides, place unit upright and allow minimum of 24 hours before connecting power.

Re-install the doors by removing the upper pivot pin completely, sliding the door onto the lower pivot pin and re-installing the upper pivot pin and fastening tightly. Before moving the unit, make sure the door is secured to the cabinet (tape may be required to hold the doors closed).

1. Plug the unit into the 15 amp grounded outlet located in the installation opening. With power applied to the unit, check that the lighting and cooling function operate properly, then turn off power to the wall outlet at the circuit breaker.

WARNING

Shut off power to the wall outlet before installing into the opening.

2. Check that the following are level and square:

- Front face and interior opening
- Installation opening and floor surface
- Countertop bottom front edge

IMPORTANT NOTE: Leveling legs should not be extend more than $\frac{3}{4}$ " from bottom of the cabinet.

IMPORTANT NOTE: The floor under the unit must be at the same level as the surrounding finished floor.

3. If all surfaces are level:

- a. Measure from the floor to the bottom of the front edge of the countertop
- b. Measure the rear of the unit cabinet from the floor to top of cabinet, at back corners
- c. Adjust rear legs so B measurement equals A

measurement. Using an adjustable wrench or pliers, turn legs counterclockwise to raise the unit or clockwise to lower the unit

4. Slide the cabinet into position, making sure the rear cabinet leveling legs slide under the anti-tip devices. Push the cabinet into the opening until the bottom front edge of the cabinet is flush with the surrounding cabinetry or the leveling legs are tight with the anti-tip devices.

IMPORTANT NOTE: The rear cabinet leveling legs must be engaged under the anti-tip brackets.

5. Shim the front of the unit so the front face is flush with surrounding cabinetry. Adjust the front legs to support the countertop at the shimmed height. Using an adjustable wrench or pliers, turn legs counterclockwise to raise the unit or clockwise to lower the unit. Countertop should be resting on top of the unit.

IMPORTANT NOTE: If countertop is not resting entirely on unit top, shim the countertop to prevent damage to the countertop.

CAUTION

To prevent damage to the countertop and unit underneath, do not place heavy objects on countertop directly above the unit.

6. Check interior door openings inside the cabinet to ensure the cabinet is level. Re-install all shelving and drawers. Take extreme care to insert sliding shelving and sliding drawers squarely into slide brackets and proper slide bracket grooves. When sliding shelving and drawers are installed properly a click should be heard from both slide bracket retaining clips and should slide smoothly in the tracks. When sliding shelving or drawers are pulled out to full extension a stop is activated to prevent additional pull-out.

CAUTION

Improper shelving or drawer installation may not actuate slide stop mechanism.

TOE PLATE INSTALLATION

When the unit is secured in place, install the louvered toe plate. Secure louvered toe plate by snapping the latch into the latch catch on the unit.

Refer to Figure 7 TOE-PLATE INSTALLATION ILLUSTRATION

CAUTION

The louvered toe plate must be removable for servicing. The floor cannot interfere with removal. The louvered sections of the toe plate must not be covered or obstructed so as to prevent proper air circulation.

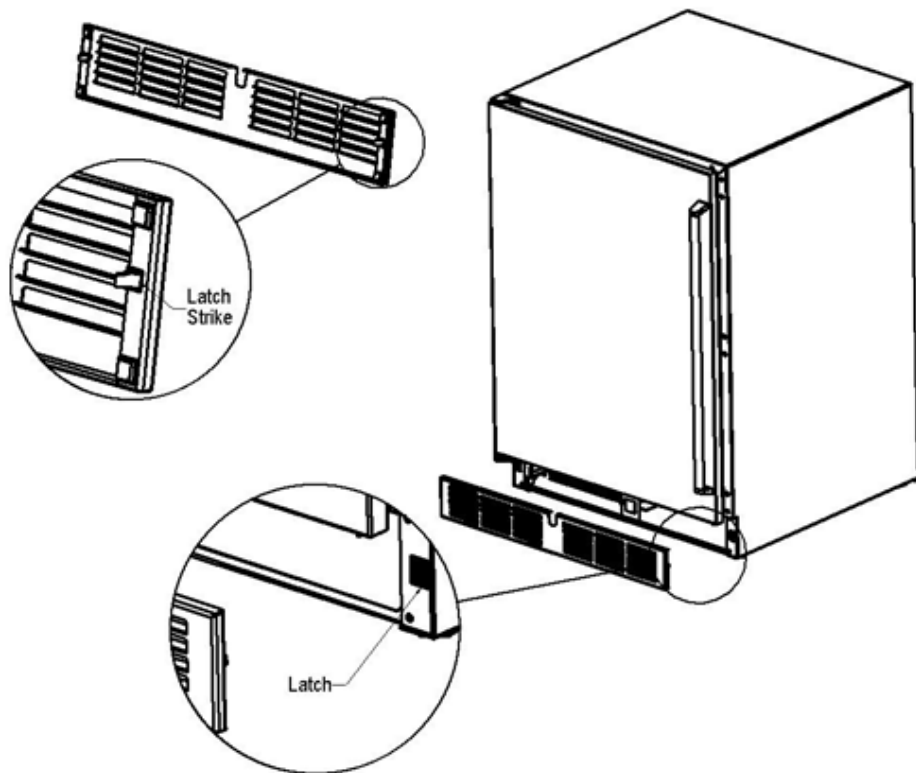


Figure 7. TOE PLATE INSTALLATION.

DOOR OPTIONS

Perlick units offer a variety of door panel design alternatives; solid stainless steel, solid wood overlay, stainless steel glass, wood overlay glass, solid stainless steel drawers and solid wood overlay drawers. This, together with door swing choices, result in a variety of possible combinations.

Solid stainless steel, stainless steel glass doors and solid stainless steel drawers are shipped from the factory with decorative stainless steel panels and handles in place on the appliance, ready for use.

Solid wood overlay, glass wood overlay doors and solid wood overlay drawers are designed to accept a decorative front panel to match surrounding cabinetry and door handles. This panel and door handle will be provided by the customer.

All Perlick units accept any of the above door configurations and are fully hinge reversible and interchangeable.

IMPORTANT NOTE: Units with a freezer can only utilize a solid stainless steel door, solid wood overlay door, solid stainless drawers or solid wood overlay drawers (stainless steel glass or wood overlay glass doors will sweat if installed on a freezer section).

IMPORTANT NOTE: Stainless steel glass or wood overlay glass doors may sweat in conditions with relative humidity over 75 percent.

HANDLE INSTALLATION

CAUTION: Handle mounting on wood overlay door should be mounted on overlay panel only (not the door) to avoid damage to the factory door.

1. Handle must be attached to overlay before mounting overlay onto door. Mark rear of wood overlay panel with handle fastening locations.
2. Drill through wood overlay panel at marked locations taking care not to damage the wood overlay panel.
3. Countersink screw heads so screw heads are flush with backside of panel. Attach handle to overlay panel.

CAUTION
Proper wood working materials and equipment should be used to avoid damage or errors in workmanship.

1. With the unit secured in position, open the door and make sure panel pre-drilled holes align with door frame holes.
2. Loosely attach four corners of the overlay panel to the door using #10 x 1" wood screws, installed through the door frame from the rear.
3. Check for overall wood overlay panel fit, position and function. Make minor adjustments as necessary. When panel is properly aligned, tighten mounting screws securely. Install the rest of the mounting screws and tighten securely.

CAUTION: Do not over-tighten wood overlay attachment screws as this may damage factory supplied doorframe.

WOOD OVERLAY INSTALLATION

Before beginning installation, check all components for proper fit and finish.

WARNING

- **All overlay doors require a trim panel at least $\frac{3}{4}$ " thick.**
- **The solid wood overlay panel should not weigh more than 20 pounds.**
- **The glass wood overlay panel should not weigh more than 10 pounds.**

The following instructions cover installing a solid wood overlay or glass overlay panel and handle to a door or drawer.

IMPORTANT NOTE: Contact the factory or visit www.perlick.com for full-size wood overlay panel layouts.

See Figure 8 for details for the design of a solid wood overlay panel.

** Figure 8-A for details of door lock installation on a solid wood overlay panel.*

See Figure 9 for details for the design of a glass wood overlay panel.

** Figure 9-A for details of door lock installation on a glass wood overlay panel.*

See Figure 10 for details for the design of a solid wood drawer overlay panel.

** Figure 10-A for details of door lock installation on a solid wood drawer overlay panel.*

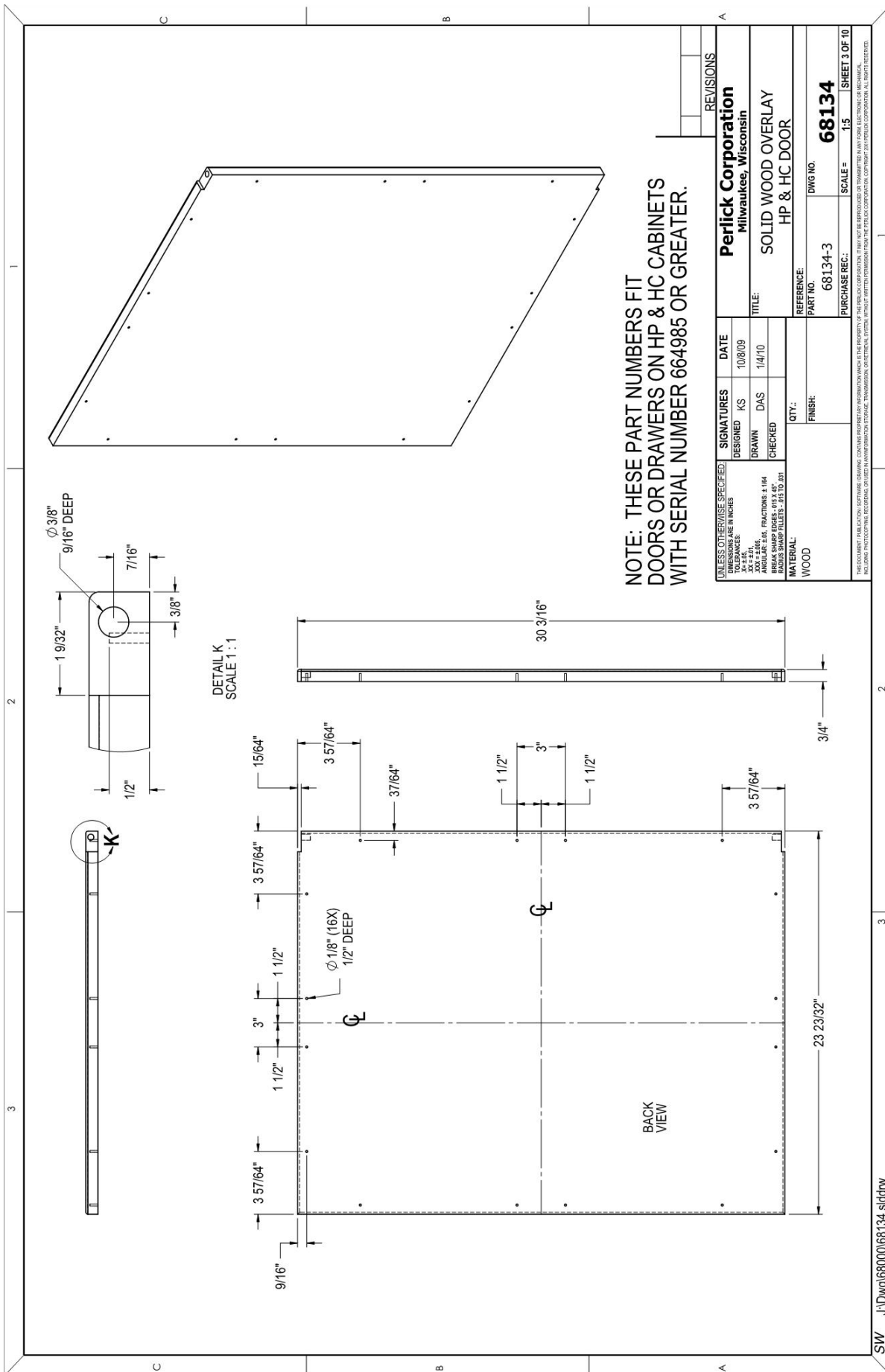


Figure 8. SOLID WOOD OVERLAY PANEL

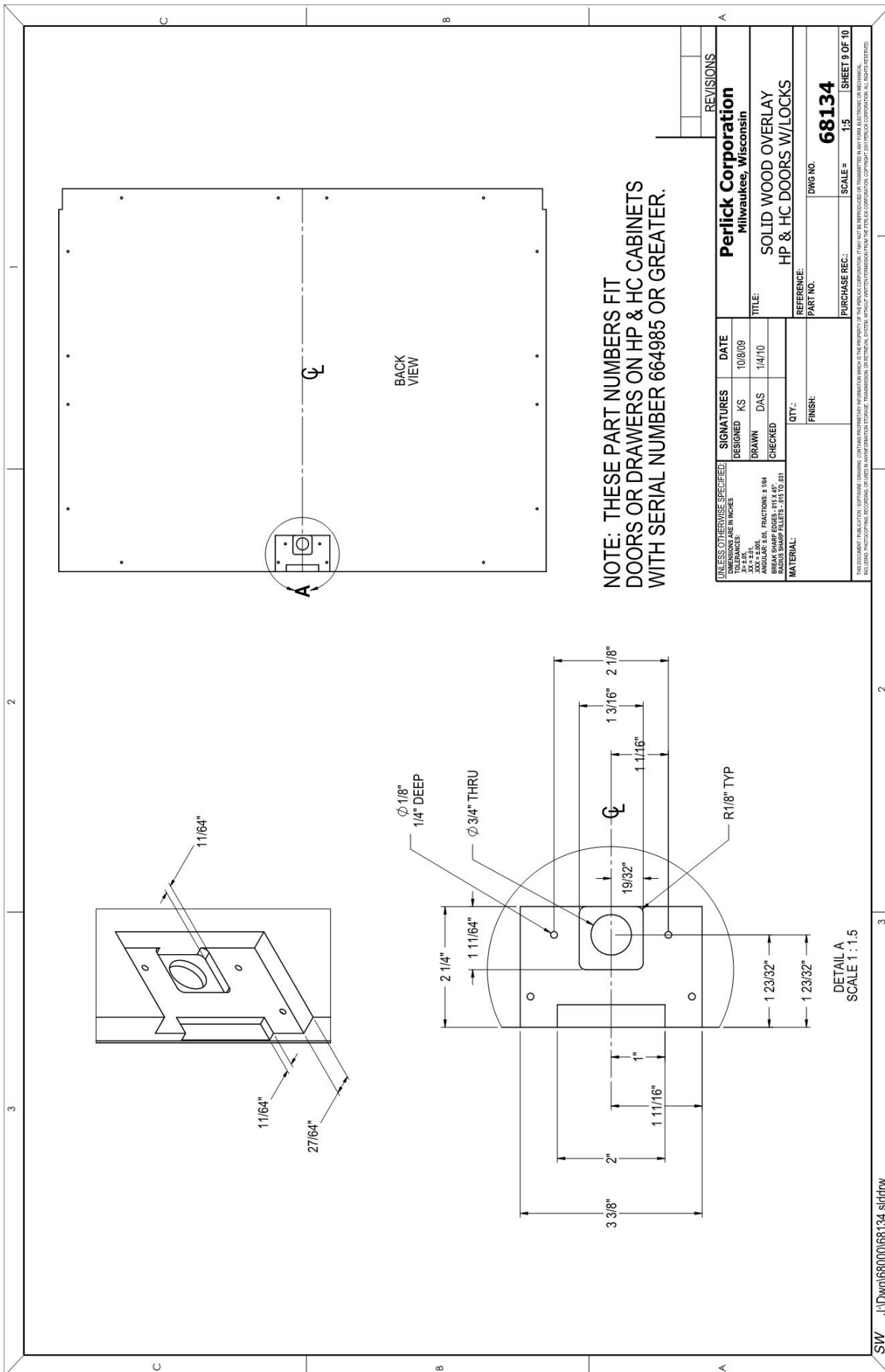


Figure 8-A. LOCK INSTALLATION -SOLID WOOD OVERLAY PANEL

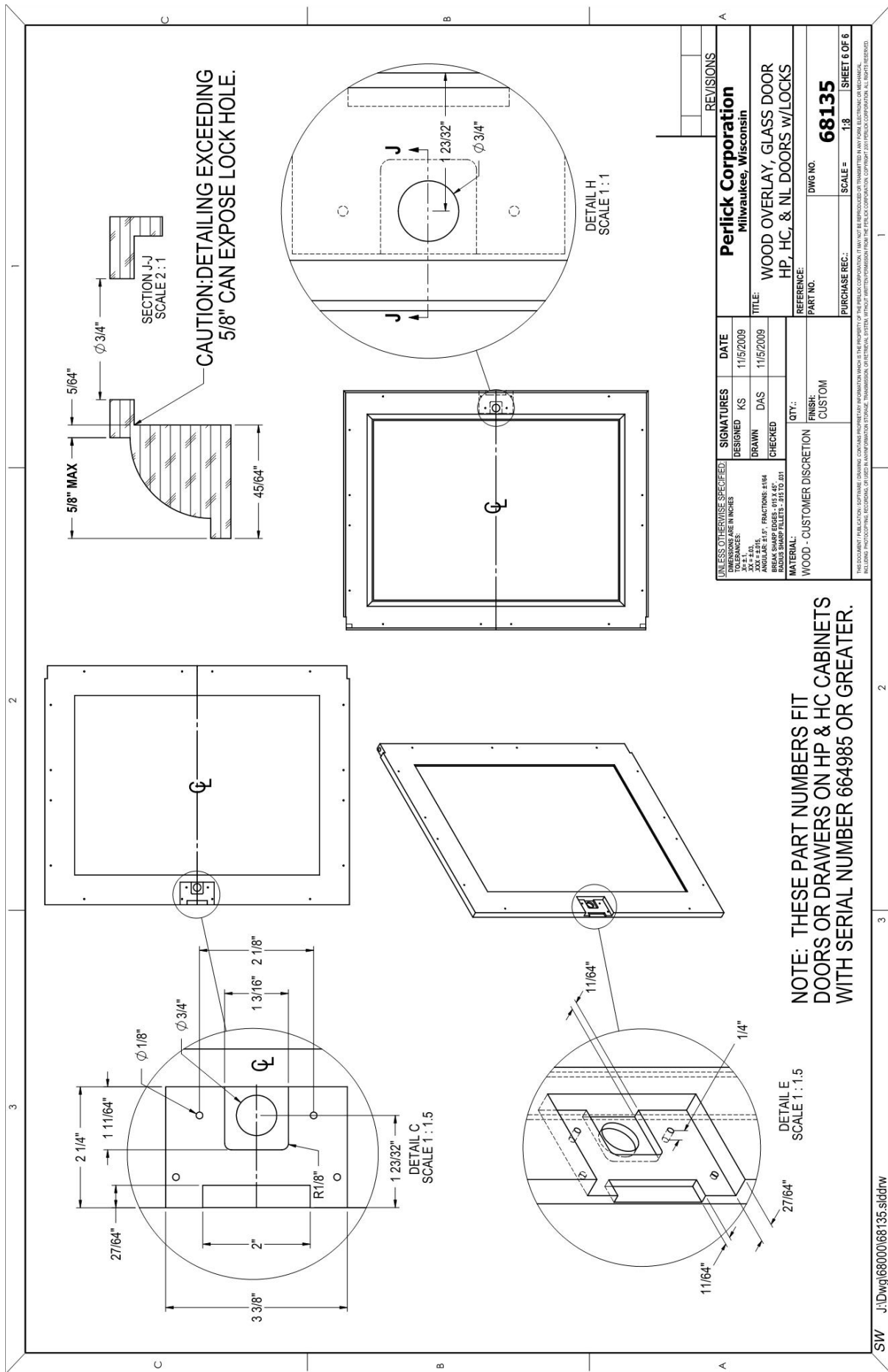


Figure 9-A. LOCK INSTALLATION -WOOD OVERLAY, GLASS DOOR PANEL

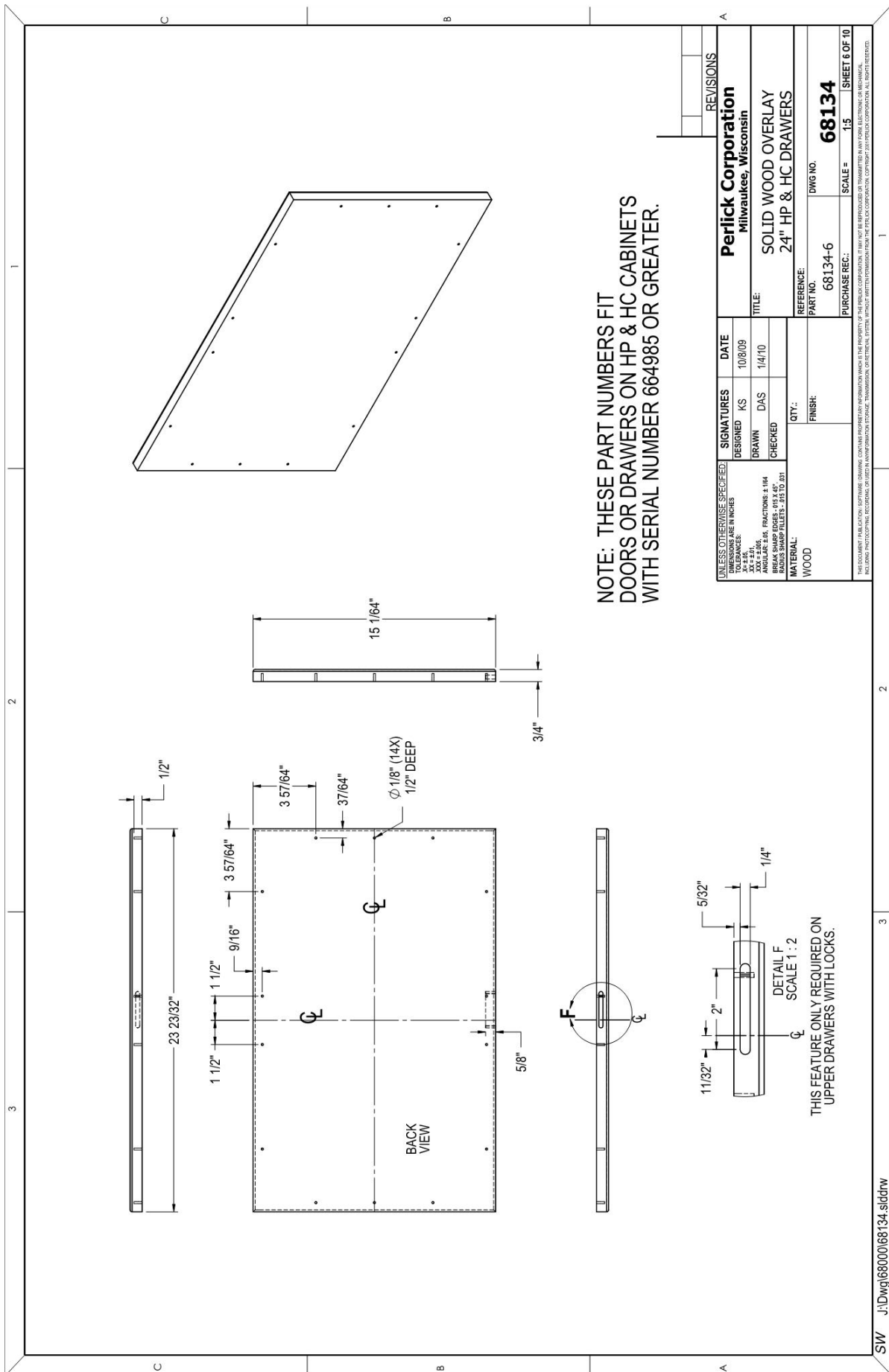


Figure 10. SOLID WOOD OVERLAY DRAWERS

SHELVING

IMPORTANT NOTE: Interior louver openings and fan guard openings should never be obstructed to achieve maximum performance.

IMPORTANT NOTE: All shelving is inter-changeable with all products.

Full-extension Shelving - Pull the shelf out to its farthest point. Locate the tabs in the middle on both sides of the extenders. Press left tab up and right tab down; pull shelf out.

Move each extender separately. Hold the middle of one extender, pull the front up then move extender ½-inch to the inside of unit. Pull up then pull out. Place extender at desired height, place rear standoff screw into rear pilaster; slide back. Place front standoff screw into front pilaster; slide down.

To return shelf, first push both extenders completely in then line up the shelf grooves and slide easily into the unit.

DRAWERS

Full-extension Drawers – Pull the drawer out to its farthest point. Locate the tabs in the middle on both sides of the extenders. Press left tab up and right tab down; pull shelf out.

Move each extender separately. Hold the middle of one extender, pull the front up then move extender ½-inch to the inside of unit. Pull up then pull out. Place extender at desired height, place rear standoff screw into rear pilaster, slide back. Place front standoff screw into front pilaster, slide down.

To return drawer, first push both extenders completely in then line up the shelf grooves and slide easily into the unit.

CAUTION completely empty the drawer before removing

Freezer/Refrigerator

The single door unit comes standard with black vinyl-coated adjustable full-extension pullout shelves. Shelving positions are adjustable.

Wine Reserve

The 24" wine reserve comes standard with five full-extension black vinyl coated wine racks capable of storing 40 total wine bottles with additional room on the bottom for storage. The second and third compartment on 48" and 72" units feature six full-extension wine racks capable of storing 48 wine bottles. All wine racks comes standard with sleek stainless steel front (wood fronts are optional). Shelving positions are adjustable.

Beverage Center

All Beverage Center units comes standard with two full-extension black vinyl coated wine racks with stainless steel fronts (wood fronts are optional) and one full-extension pullout shelf allowing for storage of both wine and beverages. Shelving positions are adjustable.

SINGLE DOOR FREEZER & SINGLE DOOR REFRIGERATOR

The single door freezer (HP24F) and the single door refrigerator (HP24R) come standard two full extension pullout.

SINGLE DOOR WINE COOLER

The single door wine cooler (HP24W) comes standard with five full extension black vinyl coated wine racks capable of storing 40 total wine bottles.

TWO DOOR ALL-REFRIGERATOR

The two-door all-refrigerator (HP48RO) comes standard with four black vinyl coated pullout shelves and a bottom step shelf. Up to two additional black vinyl coated pullout shelves can be used in these cabinets.

TWO DOOR REFRIGERATOR/WINE RESERVE

The two door refrigerator/wine reserve (HP48RW) comes standard with one black vinyl coated pull-out shelf and six full extension black vinyl coated wine racks capable of storing 48 total wine bottles.

TWO DOOR ALL WINE RESERVE

The two door all-wine reserve (HP48WW or HP48WO) comes standard with ten full extension black

vinyl coated wine racks capable of storing 88 total wine bottles. If the cabinet is a multi-zone wine reserve the first door can hold 40 total wine bottles while the second door can hold 48 total wine bottles.

THREE DOOR ALL-REFRIGERATOR

The three-door all-refrigerator (HP72ROO) comes standard with six black vinyl coated pullout shelves.

THREE DOOR REFRIGERATOR/REFRIGERATOR/WINE RESERVE

The three door refrigerator/refrigerator/wine reserve (HP72ROW) comes standard with four black vinyl coated pull-out shelves and six full extension black vinyl coated wine racks capable of storing 48 total wine bottles.

THREE DOOR REFRIGERATOR/WINE RESERVE/WINE RESERVE

The three door refrigerator/wine reserve/wine reserve (HP72RWO or HP72RWW) comes standard with two black vinyl coated pull-out shelves and twelve full extension black vinyl coated wine racks capable of storing 96 total wine bottle. The second and third door wine reserve compartments each can hold 48 wine bottles.

THREE DOOR ALL WINE RESERVES

The three door all wine reserves (HP72WOO, HP-72WOW, HP72WWO, or HP72WWW) comes standard with 17 full extension black vinyl coated wine racks capable of storing 136 total wine bottles (standard, magnum, or half size bottles). If the cabinet is a multi-zone wine cooler the first door can hold 40 total wine bottles while the second door and third doors can each hold 48 total wine bottles.

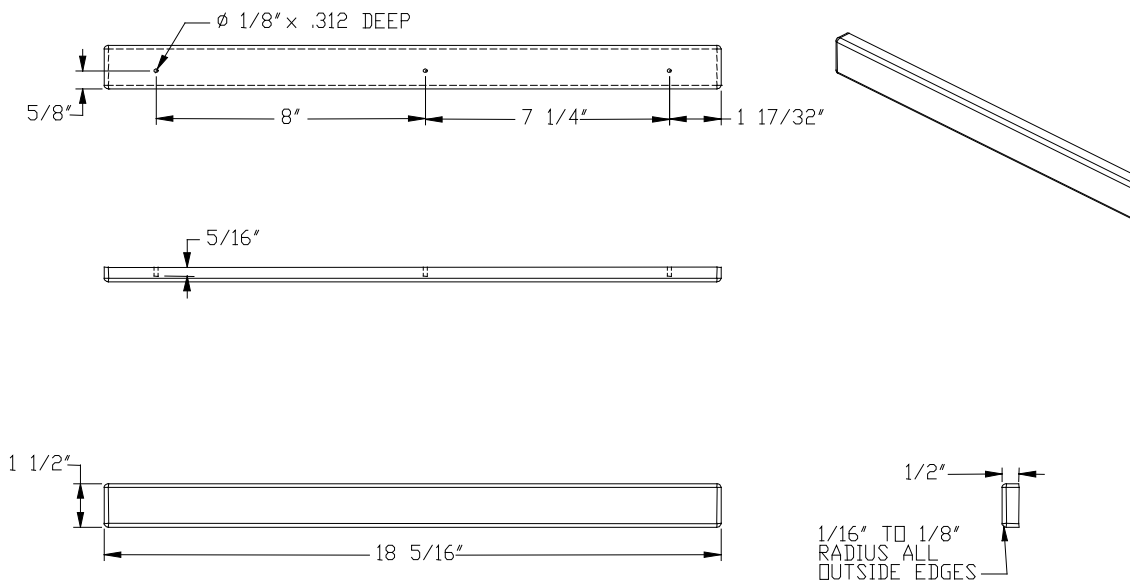


Figure 13. WOODEN WINE RACK TRIM DESIGN

WOODEN WINE RACK TRIM FINISHING (optional)

All wine racks come with a sleek stainless steel front. Unfinished solid hardwood front are optional and can be removed and replaced with other wood to match your cabinetry. See design Figure 12 above for wine rack face details.

The unfinished faces should be finished and sealed. In many cases stains and/or finishes have odors that may be objectionable in an enclosed area. To remove the front wood-face from the wine shelf, simply pull out the wine shelf and remove the fasteners, finish as desired and re-install with fasteners.

OPERATION

24" SIGNATURE SERIES

Perlick's 24" Signature Series units comes equipped with a state of the art refrigeration system. The compressor is of a variable speed variety, which automatically changes speeds based on system conditions and load. The cabinet is equipped with an adjustable digital temperature controller and LED display.

The freezer is a frost-free model meaning the evaporator (cooling coil) automatically defrosts on demand at predetermined intervals. The controller also has a manual defrost soft button on the front panel signified by a melting snowflake. If depressed it will automatically put the system into a defrost cycle.

Interior light

The unit is equipped with an interior light that is illuminated when the door is opened. The cabinet also comes standard with a manual light switch located next to the light for displaying your products through a glass door. Always ensure that the manual switch is in the off position before closing a solid wood or stainless steel door. If manual light switch is left on for an extended period of time it may increase the cabinet temperature, especially at the top and cause the refrigeration system to run longer.

Loading Product

IMPORTANT NOTE: Before storing perishables, allow unit to run for a minimum of 24 hours to allow temperature stabilization after start-up.

When loading items into unit, do not block internal louvers and fan guard openings or performance will be decreased.

Temperature Control Panel

The controller is located inside of the unit. The display will read OFF when unit off and will show temperature when unit is on.

IMPORTANT NOTE: the led display is reading actual air temperature not product temperature. Under these conditions, an air temperature swing does not change the actual product temperature. Product temperature remains at a very stable temperature.

Freezer:	10° swing
Refrigerator	6° swing
Beverage Center	6° swing
Beer Dispenser	6° swing
Wine Reserve	4° swing

48" SIGNATURE SERIES

Perlick's 48" Signature Series comes equipped with a state of the art refrigeration system. The compressor is of a variable speed variety, which automatically changes speeds based on system conditions and load. The cabinet is equipped with two adjustable digital temperature controllers and LED displays.

IMPORTANT NOTE: Always allow cabinet to run for a minimum of 24 hours to allow temperature stabilization after start-up before storing perishable items.

IMPORTANT NOTE: Perlick's multi-zone units are not recommended for outdoor applications.

This cabinet is a frost-free model meaning the evaporator (cooling coil) automatically defrosts on demand at predetermined intervals. The controller also has a manual defrost soft button on the front panel signified by a melting snowflake. If depressed it will automatically put the system into a defrost cycle.

Interior Light

The 48" unit has two interior lights that are illuminated when the corresponding door is opened. The unit also comes standard with manual light switches located next to each light for displaying your products through a glass door. If manual light switch is left on for an extended period of time it may increase the cabinet temperature, especially in

Loading Product

IMPORTANT NOTE: Before storing perishables, allow unit to run for a minimum of 24 hours to allow temperature stabilization after start-up.

When loading items into unit, do not block internal louvers and fan guard openings or performance will be decreased.

Temperature Control Panel

The controller is located inside of the unit. The display will read OFF when unit off and will show temperature when unit is on.

IMPORTANT NOTE: the led display is reading actual air temperature not product temperature. Under these conditions, an air temperature swing does not change the actual product temperature. Product temperature remains at a very stable temperature.

Freezer:	10° swing
Refrigerator	6° swing
Beverage Center	6° swing
Beer Dispenser	6° swing
Wine Reserve	4° swing

72" Signature Series

The 72" Signature Series comes equipped with a state of the art refrigeration system. The compressor is of a variable speed variety, which automatically changes speeds based on system conditions and load. The cabinet is equipped with two adjustable digital temperature controllers and LED displays.

IMPORTANT NOTE: Always allow cabinet to run for a minimum of 24 hours to allow temperature stabilization after start-up before storing perishable items.

IMPORTANT NOTE: Perlck's multi-zone units are not recommended for outdoor applications.

This cabinet is a frost-free model meaning the evaporator (cooling coil) automatically defrosts on demand at predetermined intervals. The controller also has a manual defrost soft button on the front panel signified by a melting snowflake. If depressed it will automatically put the system into a defrost cycle.

Interior Light

The 72" unit has three interior lights that are illuminated when the corresponding door is opened. The unit also comes standard with manual light switches located next to each light for displaying your products through a glass door. If manual light switch is left on for an extended period of time it may increase the cabinet temperature, especially in close proximity to the light at the top and cause the refrigeration system to run longer.

Loading Product

IMPORTANT NOTE: Before storing perishables, allow unit to run for a minimum of 24 hours to allow temperature stabilization after start-up.

When loading items into unit, do not block internal louvers and fan guard openings or performance will be decreased.

Temperature Control Panel

The controller is located inside of the unit. The display will read OFF when unit off and will show temperature when unit is on.


IMPORTANT NOTE: the led display is reading actual air temperature not product temperature. Under these conditions, an air temperature swing does not change the actual product temperature. Product temperature remains at a very stable temperature.


Freezer:	10° swing
Refrigerator	6° swing
Beverage Center	6° swing
Beer Dispenser	6° swing
Wine Reserve	4° swing


TEMPERATURE CONTROLLER





SET: To display target set point; in programming mode it selects a parameter or confirm an operation.

 **(DEF)** To start a manual defrost

 **(UP)**: To see the max. stored temperature; in programming mode it browses the parameter codes or increases the displayed value.


 **(DOWN)** To see the min stored temperature; in programming mode it browses the parameter codes or decreases the displayed value.

 To switch the instrument off, if onF = oFF.

 Not enabled







KEY COMBINATIONS:

 +  To lock & unlock the keyboard.

SET +  To enter in programming mode.

SET +  To return to the room temperature display.

Each LED function is described in the following table.

LED	MODE	FUNCTION
	ON	Compressor enabled
	Flashing	Anti-short cycle delay enabled
	ON	Defrost enabled
	ON	An alarm is occurring
	ON	Continuous cycle is running
	ON	Energy saving enabled
°C/°F	ON	Measurement unit
°C/°F	Flashing	Programming phase

5.1 HOW TO SEE THE MIN TEMPERATURE

1. Press and release the ▼ key.
2. The "Lo" message will be displayed followed by the minimum temperature recorded.
3. By pressing the ▼ key again or by waiting 5s the normal display will be restored.

5.2 HOW TO SEE THE MAX TEMPERATURE

1. Press and release the ▲ key.
2. The "Hi" message will be displayed followed by the maximum temperature recorded.
3. By pressing the ▲ key again or by waiting 5s the normal display will be restored.

5.3 HOW TO RESET THE MAX AND MIN TEMPERATURE RECORDED

1. Hold press the SET key for more than 3s, while the max. or min temperature is displayed. (rSt message will be displayed)
2. To confirm the operation the "rSt" message starts blinking and the normal temperature will be displayed.

6.1 HOW TO SEE THE SETPOINT

SET



1. Push and immediately release the **SET** key: the display will show the Set point value;
2. Push and immediately release the **SET** key or wait for 5 seconds to display the probe value again.

6.2 HOW TO CHANGE THE SETPOINT

1. Push the **SET** key for more than 2 seconds to change the Set point value;
2. The value of the set point will be displayed and the "°C" or "°F" LED starts blinking;
3. To change the Set value push the ▲ or ▼ arrows within 10s.
4. To memorise the new set point value push the **SET** key again or wait 10s.

6.3 HOW TO START A MANUAL DEFROST



Push the **DEF** key for more than 2 seconds and a manual defrost will start.

6.6 HOW TO LOCK THE KEYBOARD

1. Keep pressed for more than 3 s the **UP + DOWN** keys.
2. The "POF" message will be displayed and the keyboard will be locked. At this point it will be possible only to see the set point or the MAX o Min temperature stored
3. If a key is pressed more than 3s the "POF" message will be displayed.

6.7 TO UNLOCK THE KEYBOARD

Keep pressed together for more than 3s the **▲** and **▼** keys, till the "Pon" message will be displayed.

6.9 THE ON/OFF FUNCTION



With "onF = oFF", pushing the **ON/OFF** key, the instrument is switched off. The "OFF" message is displayed. In this configuration, the regulation is disabled. To switch the instrument on, push again the **ON/OFF** key.

IMPORTANT NOTE: Dependent on the model and configuration, the controllers have been programmed to only allow a temperature adjustment within a specified range (see chart below for the specified range allowed for your cabinet).

CHART 1. PRODUCT TEMPERATURE SET POINTS AND RANGES.

Single Door Freezer (HP24F)	0°F	Range: -5°F to +5°F
Single Door Refrigerator (HP24R)	38°F	Range: 33°F to 43°F
Single Door Beer Dispenser (HP24T)	38°F	Range: 33°F to 43°F
Single Door Beverage Center (HP24B)	42°F	Range: 36°F to 48°F
Single Door Wine Reserve (HP24W)	55°F	Range: 44°F to 68°F
Two Door All-Refrigeration (HP48RO)	38°F	Range: 33°F to 43°F
Two-Door All Wine Reserve (HP48WO)	55°F	Range: 44°F to 68°F
Two Door Refrigerator/Beverage Center (HP48RB)		
Refrigerator Section	38°F	Range: 33°F to 43°F
Beverage Center Section	42°F	Range: 36°F to 48°F
Two Door Refrigerator/Wine Reserve (HP48RW)		
Refrigerator Section	38°F	Range: 33°F to 43°F
Wine Reserve Section	55°F	Range: 40°F to 65°F
Two Door All Wine Reserve (HP48WW)		
Wine Reserve Section 1	55°F	Range: 44°F to 56°F
Wine Reserve Section 2	65°F	Range: 54°F to 68°F
Three Door All Refrigerator (HP72ROO)	38°F	Range: 33°F to 43°F
Three Door Wine Reserve (HP72WOO)	55°F	Range: 44°F to 68°F
Three Door Refrigerators/Refrigerator/ Wine Reserve (HP72ROW)		
Refrigerator Section	38°F	Range: 33°F to 43°F
Wine Reserve Section	55°F	Range: 50°F to 65°F
Three Door Refrigerator/ Wine Reserve /Wine Reserve (HP72RWO)		
Refrigerator Section	38°F	Range: 33°F to 43°F
Wine Reserve Section	55°F	Range: 50°F to 65°F
Three Door Refrigerator/ Wine Reserve /Wine Reserve (HP72RWW)		
Refrigerator Section	38°F	Range: 33°F to 43°F
Wine Reserve Section 1	55°F	Range: 45°F to 56°F
Wine Reserve Section 2	65°F	Range: 55°F to 68°F
Three Door Wine Reserve (HP72WOW)		
Wine Reserve Section 1	55°F	Range: 44°F to 56°F
Wine Reserve Section 2	65°F	Range: 54°F to 68°F
Three Door Wine Reserve (HP72WWO)		
Wine Reserve Section 1	55°F	Range: 44°F to 56°F
Wine Reserve Section 2	65°F	Range: 54°F to 68°F
Three Door All Wine (HP72WWW)		
Wine Reserve Section 1	45°F	Range: 44°F to 48°F
Wine Reserve Section 2	55°F	Range: 50°F to 58°F
Wine Reserve Section 3	65°F	Range: 60°F to 68°F

MAINTENANCE

IMPORTANT NOTE: All multi-zone models must have a minimum of 8 degrees difference between zones

CHECKING PRODUCT TEMPERATURE

To accurately check the temperature of the product stored in a refrigerated compartment, insert an accurate thermometer into a plastic (non-breakable) bottle, partially filled with water. Tighten the bottle cap securely.

Place the bottle in the desired area for 24 hours. Refrain from opening the unit during the testing period. After 24 hours, check the temperature of the water. Adjust the control settings if necessary and re-test.

Your Perlick units are pre-set in order to achieve the recommended temperature range when installed in a 70°F ambient room temperature. Factors, which affect the internal temperatures of the refrigerated cabinet, include:

- Temperature setting
- Room temperature where installed
- Number of times the door is opened and closed
- Length of times the door is opened and closed
- Length of times the door is left open
- Style of door installed
- Door gasket sealing and condition
- Amount of time the internal light is illuminated
- Installation in direct sun light or near a heat source

LIGHT BULB REPLACEMENT

To replace a defective or burnt out light bulb, unscrew the bulb counterclockwise and replace with an identical 15-Watt bulb or smaller. Perlick Replacement Bulb Number 67026.

CLEANING

To clean stainless steel exterior or interior surfaces, use a soft, non-abrasive stainless steel cleaner to wipe down the these surfaces. If you have difficulty finding a good cleaner, try Signature Polish from Sig-

nature Limited Laboratory, P.O. Box 13436, Dayton, Ohio 45413-0436; or call toll free at 877/376-5474. Glass door panels can be cleaned using any standard glass cleaner available on the market today.

To clean interior and exterior non-metallic surfaces and removable parts, wash with a mild solution of soap and lukewarm water with a little baking soda. Rinse and dry thoroughly. Avoid getting water on lights, controllers, fan motors, and unfinished wood wine rack faces.

CAUTION

Do not use abrasive cleaners or cloths on any of the interior or exterior surfaces or removable parts.

CONDENSER CLEANING

WARNING

For cleaning the condenser and other routine maintenance, shut off electricity to the unit.

In all instances, you should clean the condenser area every three months. The condenser is located behind the louvered toe plate. To clean the condenser remove the toe plate and use a soft bristle brush and vacuum to remove dust and lint. Avoid damaging or crushing the condenser fins or tubing. Upon completion, re-install the louvered toe plate.

CAUTION

Failure to clean the condenser could result in temperature loss or mechanical failure or damages. Clean this area every three months.

TROUBLESHOOTING

BEFORE CALLING FOR SERVICE

If the unit appears to be malfunctioning, read through NORMAL OPERATION first. If the problem persists, check the TROUBLESHOOTING GUIDE. Locate the problem in the guide and refer to the cause and its remedy before calling for service. The problem could be something, which can be solved without a service call.

GENERAL TROUBLESHOOTING

DANGER

ELECTROCUTION HAZARD!!

NEVER ATTEMPT TO REPAIR OR PERFORM MAINTENANCE ON THE UNIT UNTIL THE MAIN ELECTRICAL POWER HAS BEEN DISCONNECTED.

No interior light

- Is the bulb loose?
- Is the bulb burned out?

Light stays on when door is closed

- Manual ON/OFF light switch is turned ON.
- Is the door switch making contact with the door?

Noise during operation

- Certain sounds are normal. Soft sounds from the compressor, fan motor and valves will be heard.
- During freezer defrost crackling is normal.

Controller display is flashing "P1"

- There is a thermostat probe failure.

Controller display is flashing "P2"

- There is an evaporator probe failure.

Controller display is flashing "HA"

- The internal compartment temperature has exceeded the high temperature alarm preset value for over 30 minutes.
- Check to ensure door is closed.
- Check for door gasket seal.
- Did you just install warm product?
- Is the condenser clean?
- Is the louvered toe plate obstructed?
- Has the surrounding ambient temperature changed dramatically?
- Is the interior light ON?

Controller display is flashing "LA"

- The internal compartment temperature has exceeded the low temperature alarm preset value for over 30 minutes.
- Check to ensure door is closed.
- Check for door gasket seal.
- Has the surrounding ambient temperature changed dramatically?

Controller display is flashing "EE"

- The controller has a data or memory failure

The refrigerated cabinet isn't running

- Is there electrical power to the unit?
- Is your home circuit breaker or fuse on?
- Is your ON/OFF key pad on?
- Is your condenser area clean?

The refrigerated compartment is warmer than usual

- Is your control set properly?
- Is the light staying on?
- Is your condenser area clean and free of obstructions?
- Has the door been open for a long time or more frequent door openings occurred?
- Are the internal louvers and fan guard openings obstructed?
- Has warm product just been placed in the cabinet?

The refrigerated compartment is colder than usual

- Is your control set properly?
- Is your door closing and sealing properly?
- Is the ambient temperature within the normal operating range?

The refrigeration system runs for long periods of time

- Is the condenser area clean and free of obstructions?
- Have the doors been open for a long time or more frequent door openings occurred?
- Have warm product just been placed in the cabinet?
- On hot days and in warm room temperatures the system will run long.

Condensation forms inside the refrigerated compartments

- This is normal during high humidity and frequent door openings.
- Are the doors closing and sealing properly?

Condensation forms on the outside of the unit

- During periods of high humidity some condensation might appear on outside surfaces. The condensation will disappear when the humidity drops. Meanwhile, be sure doors are closing and sealing properly. If condensation persists, contact your Perlick Factory Authorized Service Center.

You need product information

- Contact your selling dealer
- Inquire via the WEB at www.perlick.com
- Call 800/558-5592 for factory assistance for information for planning, installation or product information.
- Write to: Perlick Corporation, Customer Service Department, 8300 W. Good Hope Rd, Milwaukee, WI 53223
- or e-mail us at warranty@perlick.com.

You need product service

- Check the model and serial number of your unit located on the label attached to the inside top of the cabinet. Then call your Perlick Factory Authorized Service Center. For the location of the Service Center in your area, contact your dealer, inquire via the WEB at www.perlick.com, or write to: Perlick Corporation,

Customer Service Department, 8300 W. Good Hope Rd, Milwaukee, WI 53223, call 800/558-5592 or e-mail us at warrantyserv@perlick.com.

You need replacement parts or accessories

- Use only genuine Perlick replacement parts and accessories. Genuine Perlick parts and accessories are designed to work correctly with Perlick products and offer superior service life. The use of non-Perlick parts can damage the unit and may void the warranty
- Check the model and serial number of your unit located on the label attached to the inside top of the cabinet. Then call your Perlick Factory Authorized Service Center. For the location of the Service Center in your area, contact your dealer, inquire via the WEB at www.perlick.com, or write to: Perlick Corporation, Customer Service Department, 8300 W. Good Hope Rd, Milwaukee, WI 53223, call 800/558-5592 or e-mail us at warrantyserv@perlick.com

PERLICK HOME REFRIGERATION PRODUCTS LIMITED WARRANTY

ENTIRE PRODUCT- Full Two Year Warranty:

For two years from the date of original installation, Perlick Corporation's warranty covers all parts and labor to repair or replace any part of the product, which proves to be defective in material and workmanship.

ADDITIONAL- Third Through Sixth Year Limited Parts Only Warranty:

During the four years following expiration of the Two Year Warranty, Perlick will supply replacement parts only for the hermetically sealed refrigeration system which consist of the compressor, condenser, drier, connecting tubing, evaporator, and hot gas bypass valve.

TERMS:

The Perlick Warranty applies to products installed in the fifty United States, the District of Columbia or the ten provinces of Canada.

All service provided by Perlick Corporation under the above warranty must be performed by authorized Perlick service representatives, unless otherwise specified by Perlick.

Service will be provided in the home during normal business hours.

This warranty applies only to products installed for normal residential use; it does not include adjusting the controls, door reversal, light bulb or cleaning the condenser.

This warranty is extended only to the original purchaser of the Perlick product.

The above warranty does not apply if:

- Failure of product was due to transportation
- Product was: improperly installed, misused, abused, operating with low voltage, wiring not conforming electrical codes, improperly maintained or modified.
- The original Bill of Sale, delivery date or serial number cannot be verified.
- Defective parts are not returned for inspection if so required by the Perlick Corporation.

To receive parts and or service and the name of the nearest Perlick authorized service representative, contact

your Perlick dealer, distributor or Perlick Corporation's Technical Service Department; 8300 West Good Hope Road, Milwaukee Wisconsin, 53223; call 800 558-5592,
E-mail us at warrantyserv@perlick.com, or visit our Web site: www.perlick.com

This limited warranty is in lieu of any other warranty, expressed or implied, including, but not limited to any implied warranty of merchantability or fitness for a particular purpose; provided however, that to the extent required by law, implied warranties are included but do not extend beyond the duration of the express warranty first set above. Perlick's sole liability and your exclusive remedy under this warranty are set forth in the initial paragraph above. Perlick Corporation shall have no liability whatsoever for any incidental, consequential or special damages arising from the sale, use or installation of the product or from any other causes whatsoever, whether based on warranty (expressed or implied) or otherwise based on contract, tort or any other theory of liability. In no event shall the user be entitled to recover incidental or consequential damages.

Some states do not allow limitations on how long an implied warranty lasts or the exclusion or limitation of incidental or consequential damages, so the above limitations may not apply to you. This warranty gives you specific legal rights, and you may also have other rights, which vary, from state to state.



8300 W. GOOD HOPE ROAD • MILWAUKEE, WI 53223 • 1-800-558-5592 • FAX: 414-353-7069 • WWW.PERLICK.COM

Perlick is committed to continuous improvement. Therefore, we reserve the right to change specifications without warning.