

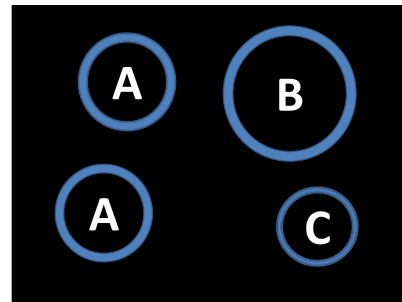
30" Induction Range



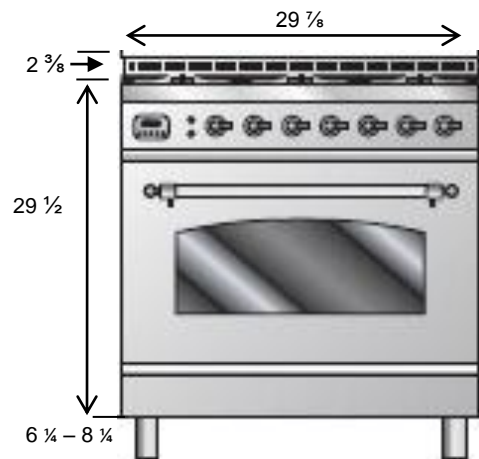
| Specifications | | |
|---------------------|-----------------------------|------------------------------------|
| Model Number | | UPS176MP |
| General Features | Size | 30" |
| | Type | Induction Cooktop Electric Oven |
| | Digital Clock and Timer | Yes |
| | Electronic Ignition | Yes |
| | Control Knobs | Chrome |
| | Colors | Stainless Steel |
| | Warming Drawer | Full Width |
| | Power Requirements | 120/240 Volt 60Hz. 50 Amp |
| Cook Top Features | Burners | 4 |
| | Rapid (1) 8 1/4" (B) | 2,300W - 3,200W Boost |
| | Semi-Rapid (2) 7" (A) | 1,850W - 2,500W Boost |
| | Standard (1) 5 3/4" (C) | 1,400W - 1,800W Boost |
| | Pot Sensor | Yes |
| | Child Safety | Yes |
| | Sealed Top Surface | Yes |
| | Overheating Protection | Yes |
| Main Oven Features | Continuous Clean Panels | Optional |
| | Multi Function | Yes |
| | Oven Capacity (Cu Ft.) | 3.0 Cu Ft |
| | Convection Bake | 3,200 W |
| | Convection Broil | 2,500 W |
| | Grill-Baking or Broiler | Yes |
| | Total Power Rating | 3,700 W |
| | Oven Temperature Range | 75° - 500° |
| | Preheat Indicator Lamp | Yes |
| | Racks | 2 |
| | Triple Glass Removable Door | Yes |
| | Electronic Programmer | Yes |
| | Proofing Mode | Yes |
| Rotisserie | Yes | |
| Dimensions | Overall: | |
| | Width (in) | 29 3/8 |
| | Height (in) w/o Backguard | 35 3/4 - 37 1/4 |
| | Height (in) of Backguard | 2 3/8 |
| | Depth (in) | 23 3/4 |
| | Internal Oven: | |
| | Width (in) | 21 1/4 |
| | Height (in) | 13 3/4 |
| | Depth (in) | 17 3/4 |
| Weight (lbs.) | 190 lbs. | |



Cook Top Configuration



Storage / Warming Drawer



Available Colors

Stainless Steel