

SPECIFICATIONS

The guides, measurements and dimensions detailed below are designed to assist you with planning your outdoor kitchen. Please note: because of continuing product innovation, specifications are subject to change without notice.

Important: Please reference the Care & Use / Installation Manual for details on gas plumbing requirements, electrical specifications and the proper installation of your Lynx outdoor kitchen equipment. This manual can be downloaded from the Lynx website at www.lynxgrills.com

PROFESSIONAL GRILLS

Model	A	B	C	D	E	F	G	H
L27	-	26	22	-	-	-	-	10 ^{7/8}
L30	-	29	24 ^{1/2}	-	-	-	-	10 ^{7/8}
L36	-	35	22	-	-	-	-	10 ^{1/8}
L42	-	41	24 ^{1/2}	-	-	-	-	10 ^{7/8}
L54	-	53	24 ^{1/2}	-	-	-	-	10 ^{7/8}

COMPLEMENTARY PRODUCTS

Model	A	B	C	D	E	F	G	H
ACCESS DOORS								
LDR21-1	-	-	-	19 ^{1/4}	-	-	-	-
LDR27-1	-	-	-	25 ^{1/4}	-	-	-	-
LDR30-1	-	-	-	28 ^{1/4}	-	-	-	-
LDR36-2	-	-	-	34 ^{1/4}	-	-	-	-
LDR42-1	-	-	-	40 ^{1/4}	-	-	-	-

SIDE BURNERS

LSB1	12 ^{1/8}	-	24 ^{1/2}	-	-	-	-	10 ^{5/8}
LSB2	12 ^{1/8}	-	24 ^{1/2}	-	-	-	-	10 ^{5/8}
LSB2PC	24 ^{1/4}	-	24 ^{1/2}	-	-	-	-	10 ^{5/8}
LPSGE	12 ^{1/8}	-	24 ^{1/2}	-	-	-	-	10 ^{5/8}
LPB	19	-	22	-	-	-	-	10 ^{5/8}

UTILITY DRAWERS

LUDE	-	-	24	-	12 ^{1/8}	19 ^{1/4}	-	-
LUDXL	-	-	24 ^{1/4}	-	17 ^{1/4}	18 ^{9/16}	-	-

WARMING DRAWERS

L30WD	-	-	20 ^{1/2}	-	-	-	28 ^{1/2}	10
L42CC	-	-	24 ^{1/2}	-	-	-	40 ^{1/4}	19 ^{3/8}

COCKTAIL PRO

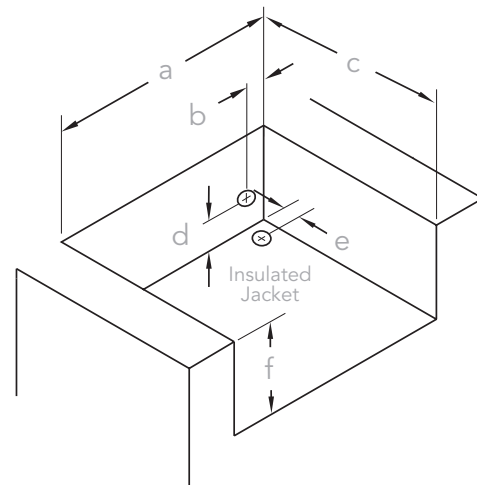
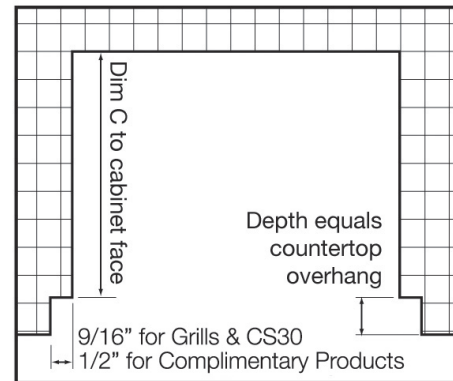
CS30	-	-	22 ^{3/4}	-	-	-	-	10 ^{5/8}
------	---	---	-------------------	---	---	---	---	-------------------

WITH INSULATED JACKET INSTALLED

Model	A	B	C	D	E	F
LIJ27	33	5	24	4 ^{1/2}	3	11 ^{5/8}
LIJ30	36	5	26 ^{1/2}	4 ^{1/2}	3	11 ^{5/8}
LIJ36	42	5	24	4 ^{1/2}	3	11 ^{5/8}
LIJ42	48	5	26 ^{1/2}	4 ^{1/2}	3	11 ^{5/8}
LIJ54	60	5	26 ^{1/2}	4 ^{1/2}	3	11 ^{5/8}

Countertop Notch Detail

Only required if island countertop overhangs the face of the island



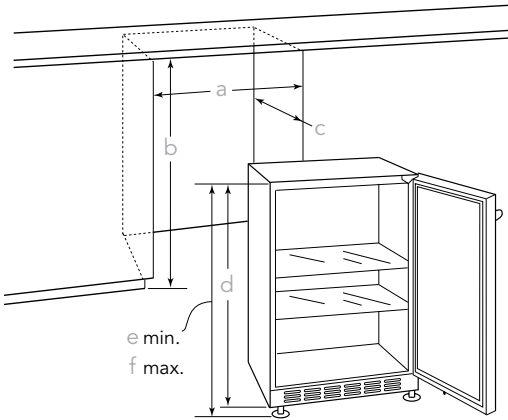
The best outdoor kitchen products come from:
Lynx Professional Grills,
6023 East Bandini Blvd.
Commerce, CA 90040

For more information please call,
1-888-879-2322 or visit www.lynxgrills.com

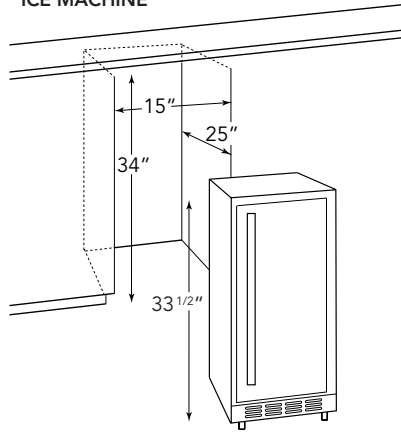


SPECIFICATIONS

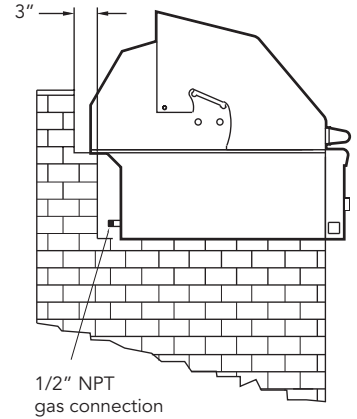
OUTDOOR REFRIGERATORS



ICE MACHINE



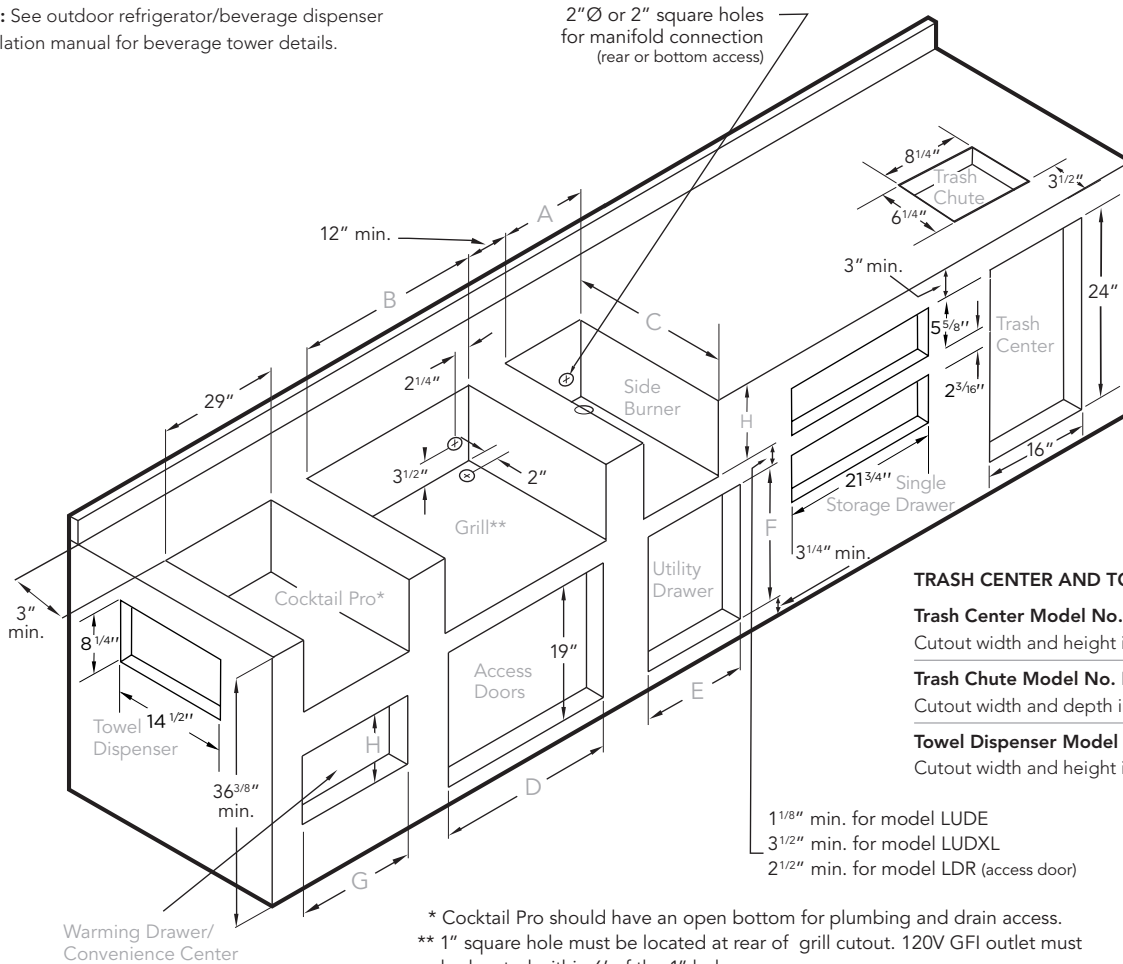
CLEARANCE



OUTDOOR REFRIGERATORS

Model	A	B	C	D	E	F
L24REF	23 ^{3/4}	33 ^{1/2}	25	32	32 ^{1/2}	33 ^{1/8}
L24CF	24 ^{1/4}	34 ^{1/2}	26 ^{1/2}	33 ^{3/4}	33 ^{7/8}	34 ^{3/8}

Note: See outdoor refrigerator/beverage dispenser installation manual for beverage tower details.



TRASH CENTER AND TOWEL DISPENSER

Trash Center Model No. L18TC

Cutout width and height indicated above; depth 13"

Trash Chute Model No. L18TS

Cutout width and depth indicated above; height 6^{1/4}"

Towel Dispenser Model No. L16TWL

Cutout width and height indicated above; depth 8"

* Cocktail Pro should have an open bottom for plumbing and drain access.

** 1" square hole must be located at rear of grill cutout. 120V GFI outlet must be located within 6' of the 1" hole.

