

Design Guide with **Installation Instructions**

30" Built-In
Bottom-Freezer, 2-Drawer
Refrigerator



Safety Information

BEFORE YOU BEGIN

Read these instructions completely and carefully.

- **IMPORTANT** – Save these instructions for local inspector’s use. Observe all governing codes and ordinances.
- **Note to Installer** – Be sure to leave these instructions with the Consumer.
- **Note to Consumer** – Keep these instructions with your Owner’s Manual for future reference.
- **Skill Level** – Installation of this refrigerator requires basic mechanical, carpentry and plumbing skills. Proper installation is the responsibility of the installer. Product failure due to improper installation is not covered under the GE Appliance Warranty. See the Owner’s Manual for warranty information.

For Monogram local service in your area, call **1.800.444.1845.**

For Monogram Parts and Accessories, call **1.800.626.2002.**

www.monogram.com

⚠ WARNING:

This appliance must be properly grounded. See “Grounding the Refrigerator,” page 5.

If you received a damaged refrigerator, you should immediately contact your dealer or builder.

⚠ CAUTION:

Due to the weight and size of this refrigerator, and to reduce the risk of personal injury or damage to the product—**TWO PEOPLE ARE REQUIRED FOR PROPER INSTALLATION.**

⚠ WARNING:

- These refrigerators are top-heavy and must be secured to prevent the possibility of tipping forward. Anti-tip protection is required. See page 14 for details.
- Use this appliance only for its intended purpose.
- Immediately repair or replace electric service cords that become frayed or damaged.
- Turn off the circuit breaker to disconnect power before cleaning or making repairs.
- Repairs should be made by a qualified service technician.

⚠ WARNING—R600a Refrigerant

Warning: This appliance contains isobutane refrigerant, R600a, a natural gas with high environmental compatibility. However it is also combustible. Please adhere to the warnings below:

- 1) When handling, installing and operating the appliance, care should be taken to avoid damage to the refrigerant tubing.
- 2) Servicing shall be performed by factory-authorized service personnel and component parts shall be replaced with manufacturer-authorized replacement components.
- 3) Refrigeration products contain refrigerants, which under federal law must be removed prior to product disposal.
- 4) Keep ventilation openings in the appliance enclosures or in the built-in structure clear of obstruction.
- 5) Do not use mechanical devices or other means to accelerate the defrosting process.
- 6) Do not damage refrigerant circuit.
- 7) Do not use electrical appliances inside the food storage compartment of the appliance.

CONTENTS

Design Guide

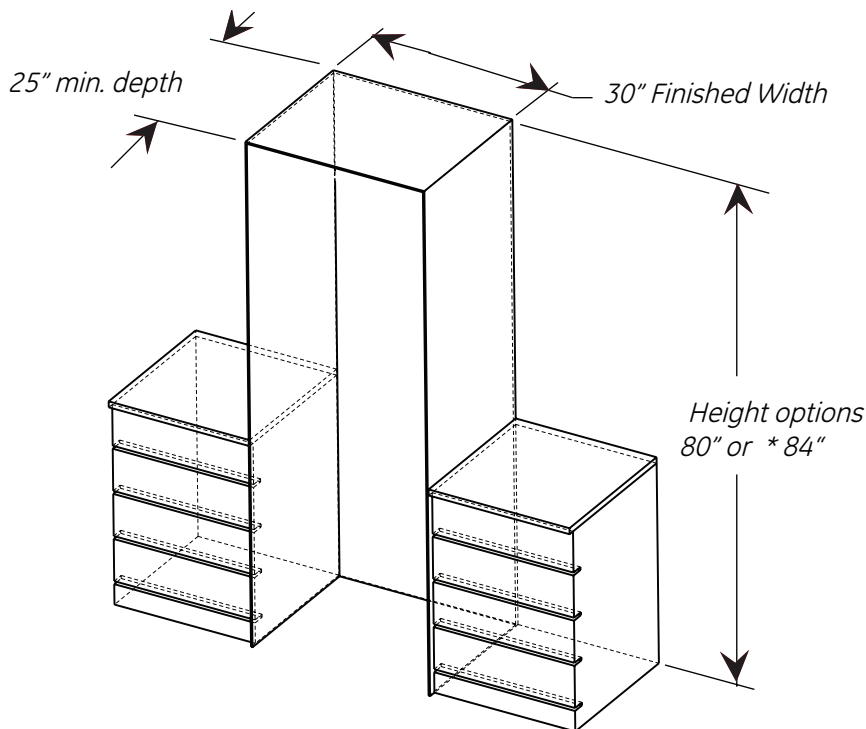
Cabinet Enclosure Dimensions	3
Refrigerator Dimensions.....	4
The Installation Space	5
Grounding the Refrigerator.....	5
Dimensions and Clearances.....	3
Integrated Handles	
115° Door Swing	6
Integrated Handles	
90° Door Swing	7
Professional Handles	
115° Door Swing	8
Professional Handles	
90° Door Swing	9
SS Panel Accessory & Dimension	10
3/4" Custom Panel Dimensions	11

Installation Instructions

Tools, Hardware, Materials.....	12	Step 14, Start Icemaker	20
Step 1, Remove Packaging.....	13	Badge Templates	21
Step 2, Install Anti-tip Bracket.....	14		
Step 3, Thread Water Line	14		
Step 4, Connect Power	14		
Step 5, Remove Toekick and Vent.....	15		
Step 6, Slide Unit into Enclosure	15		
Step 7, Connect Water Line	15		
Step 8, Level Refrigerator	16		
Step 9, Install Toekick and Vent	16		
Step 10, Reverse Door Swing.....	17, 18		
Step 11, Adjust Door Swing	18		
Step 12, Attach Hinge Guard.....	18		
Step 13, Install Door and Drawer Panels.....	19		


Design Guide

Cabinet Enclosure Dimensions For Fully Integrated Instructions

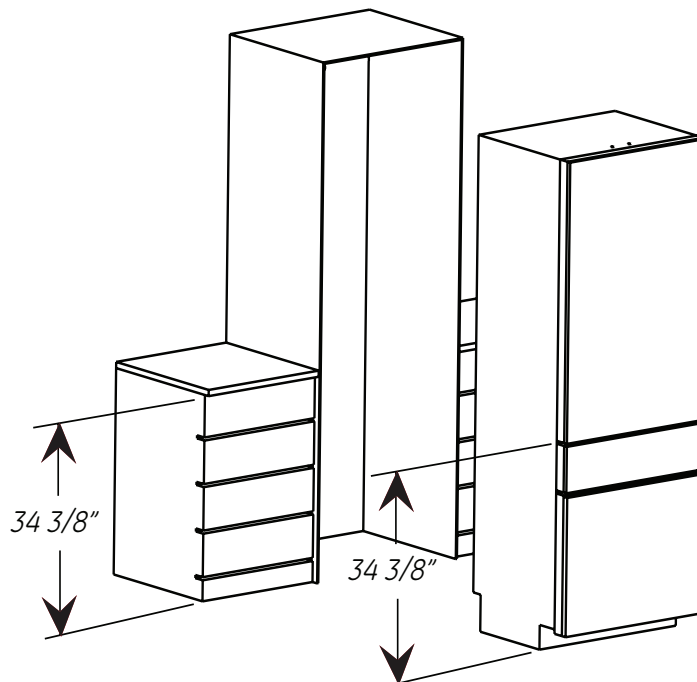



The cutout depth must be 25" for flush installations.

- The front face of the refrigerator fits flush with 25" depth adjacent cabinets.
- The refrigerator can fit into a 79-1/2" minimum, 84-1/2" maximum high enclosure. Although the refrigerator itself can only be raised to 80 3/8",
- The fresh food door panel can be constructed to fill additional height; see page 10.

 **Design Tip:** We recommend finishing the inside surface of the enclosure a min. of 4" from the front face.

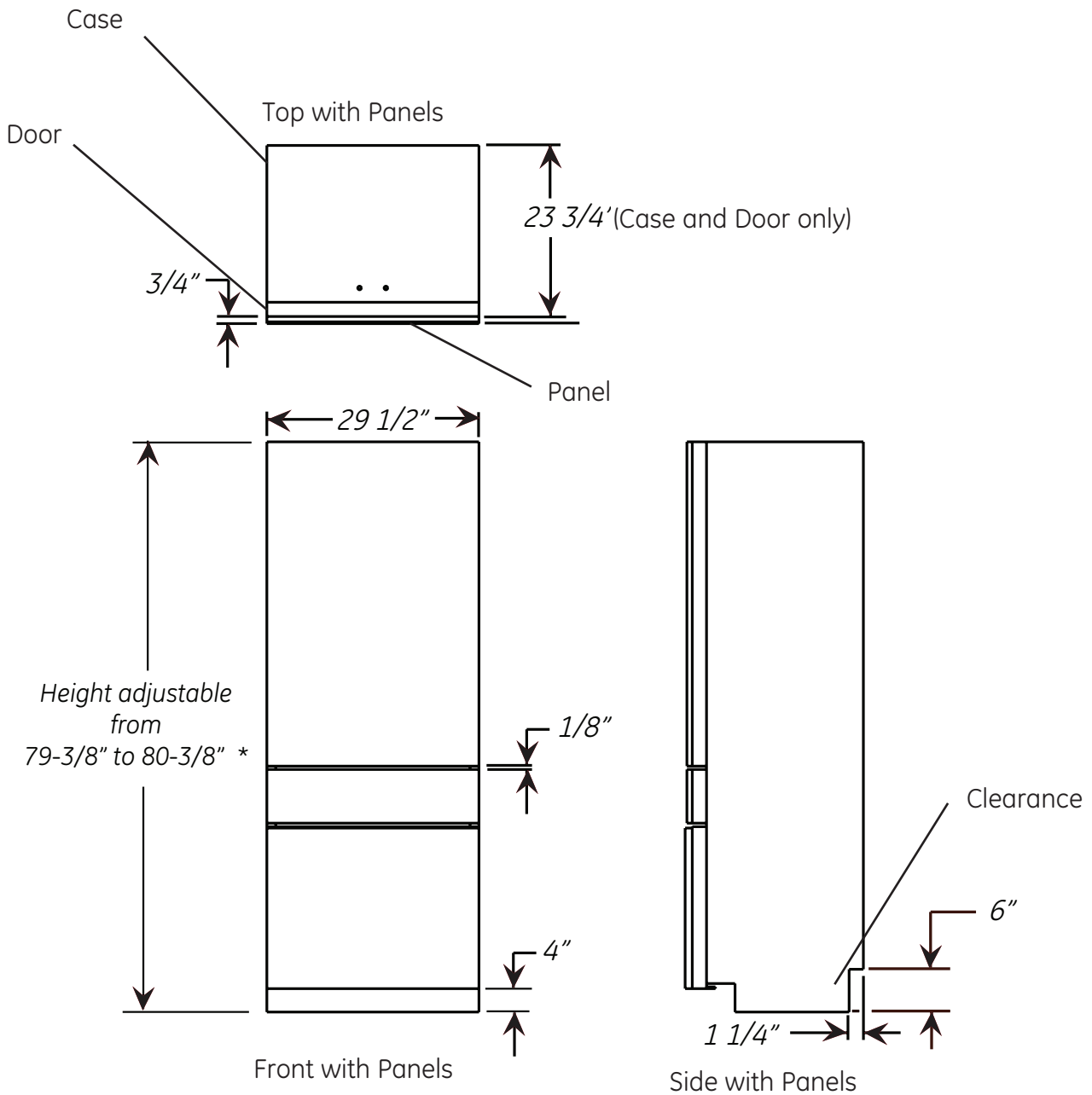
 **Design Tip:** If using 84" enclosure, consider adding a finished valence above the refrigerator case.



 **Design Tip:** It is possible to align your refrigerator drawer with adjacent cabinetry for a completely integrated look.

Design Guide

Refrigerator Dimensions with 3/4" Panels



* The Refrigerator can be adjusted to fit into a cabinet space that is $83 \frac{3}{8}$ " to $84 \frac{3}{8}$ " with the appropriate door panel kit.

Install Clearances		
Top $\frac{1}{8}$ " / 3mm	Each Side $\frac{1}{4}$ " / 6mm	Rear $\frac{1}{2}$ " / 12mm

Design Guide

THE INSTALLATION SPACE

Water and Electrical Locations

Electrical and water supply should be located in shaded area only as shown.

PREPARING INSTALL WATER LINE

- A cold water supply is required for automatic icemaker operation. The water pressure must be between 40 and 120 p.s.i.
- Route 1/4" OD copper or GE SmartConnect™ plastic tubing between the house cold water line and the water connection location.
- Tubing should be long enough to extend to the front of the enclosure.
- Water line can enter an opening through the floor or back wall.
- Install a shut-off valve between the icemaker water valve and cold water supply in the home.

NOTE:

- It is recommended that the water shut-off valve be placed in a location that is easily accessible. We do not advise placing it behind the unit because of access difficulties. If it is necessary to install the valve behind the unit, it must be located in the shaded area.
- Saddle type shut-off valves are included in many water supply kits, but are not recommended for this application.
- The only GE-approved plastic tubing is supplied in the GE SmartConnect™ Refrigerator Tubing kits. Do not use any other plastic water supply line because the line is under pressure at all times. Other types of plastic may crack or rupture with age and cause water damage to your home. GE SmartConnect™ Refrigerator Tubing Kits are available in the following lengths:
6' (1.8 m) WX08X10006, 15' (4.6 m) WX08X10015 & 25' (7.6 m) WX08X10025

- Commonwealth of Massachusetts Plumbing Codes 248CMR shall be adhered to. Saddle valves are illegal and use is not permitted in Massachusetts. Consult with your licensed plumber.

Electrical Specifications

- A 115-volt, 60-Hz., 15- or 20-amp power supply is required. An individual properly grounded branch circuit or circuit breaker is recommended.
- Install a properly grounded 3-prong electrical receptacle recessed into the back wall. Electrical must be located on rear wall as shown.

NOTE: GFI (ground fault interrupter) is not recommended.

GROUNDING THE REFRIGERATOR

IMPORTANT—(Please read carefully)

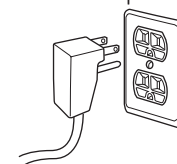
FOR PERSONAL SAFETY, THIS APPLIANCE MUST BE PROPERLY GROUNDED.

The power cord of this appliance is equipped with a 3-prong (grounding) plug which mates with a standard three-prong (grounding) wall receptacle to minimize the possibility of electric shock hazard from this appliance.

Have the wall outlet and circuit checked by a qualified electrician to make sure the outlet is properly grounded.

Where a standard 2-prong wall outlet is encountered, it is your personal responsibility and obligation to have it replaced with a properly grounded 3-prong wall outlet.

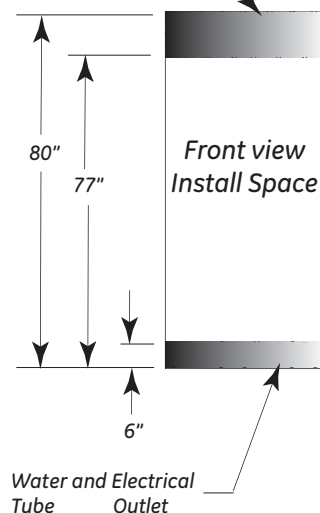
DO NOT, UNDER ANY CIRCUMSTANCES, CUT OR REMOVE THE THIRD (GROUND) PRONG FROM THE POWER CORD.



DO NOT USE AN ADAPTER PLUG TO CONNECT THE REFRIGERATOR TO A 2-PRONG OUTLET.

DO NOT USE AN EXTENSION CORD WITH THIS APPLIANCE.

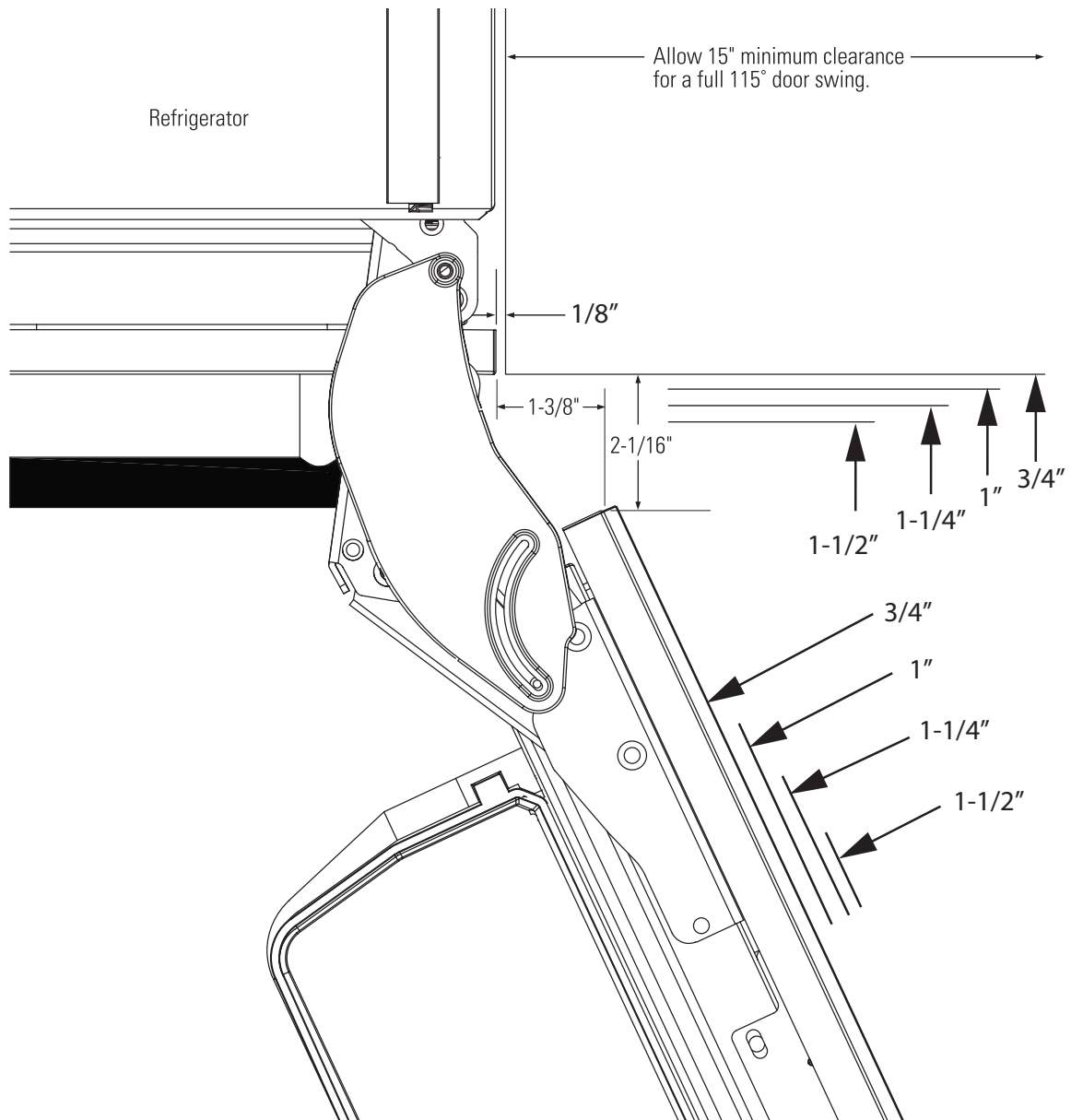
Anti-Tip location. Do not obstruct this area.



Design Guide

Product Clearances

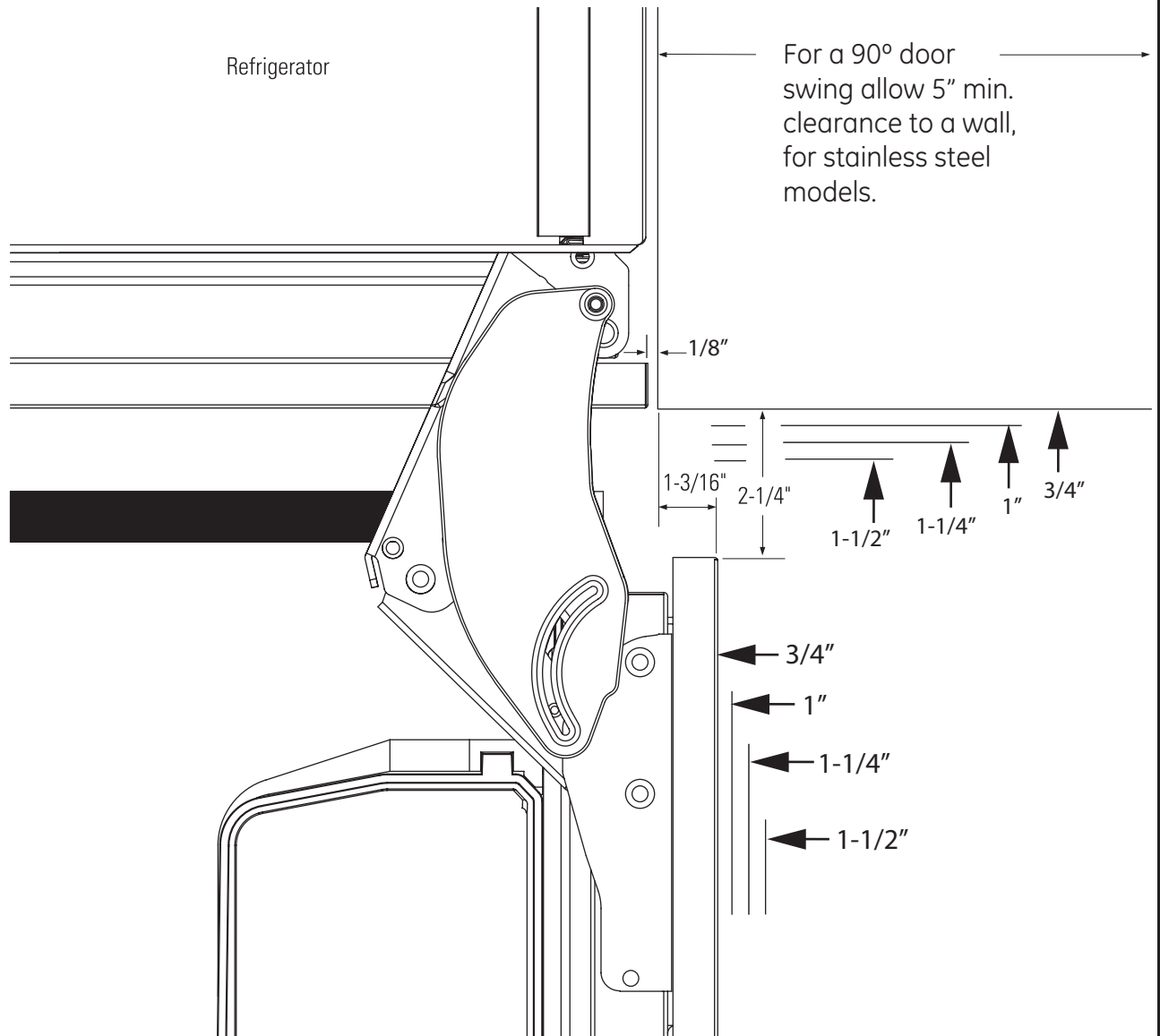
These refrigerators are equipped with a 2-position door stop. The factory-set 115° door swing can be adjusted to 90° if clearance to adjacent cabinets or walls is restricted. For 90° Door swing see page 7.



SS European or Custom Panels
Top View
115° DOOR SWING
(factory setting)

Not to scale

Design Guide



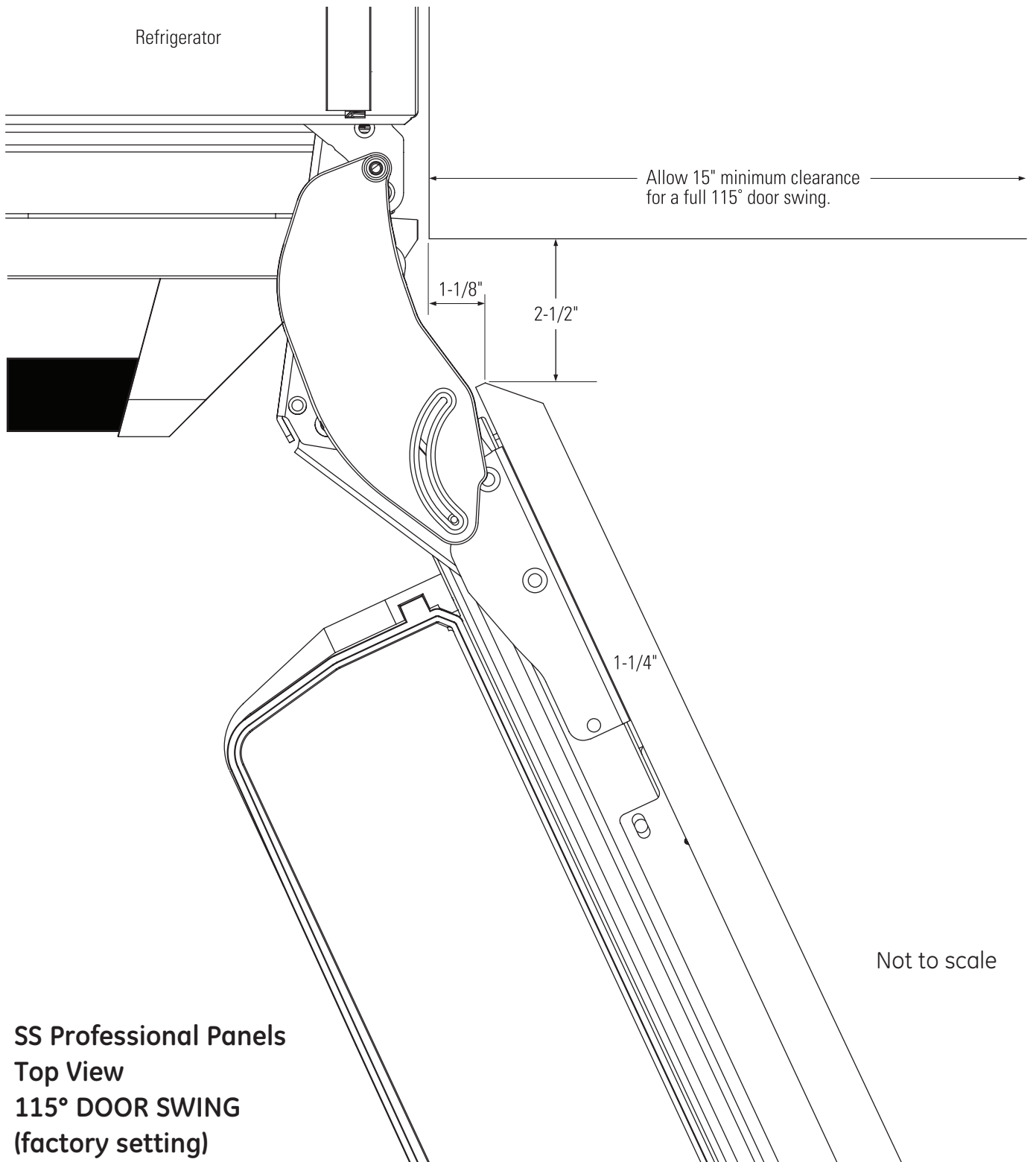
SS European or Custom Panels
Top View
90° DOOR SWING
(optional setting)

Not to scale

Design Guide

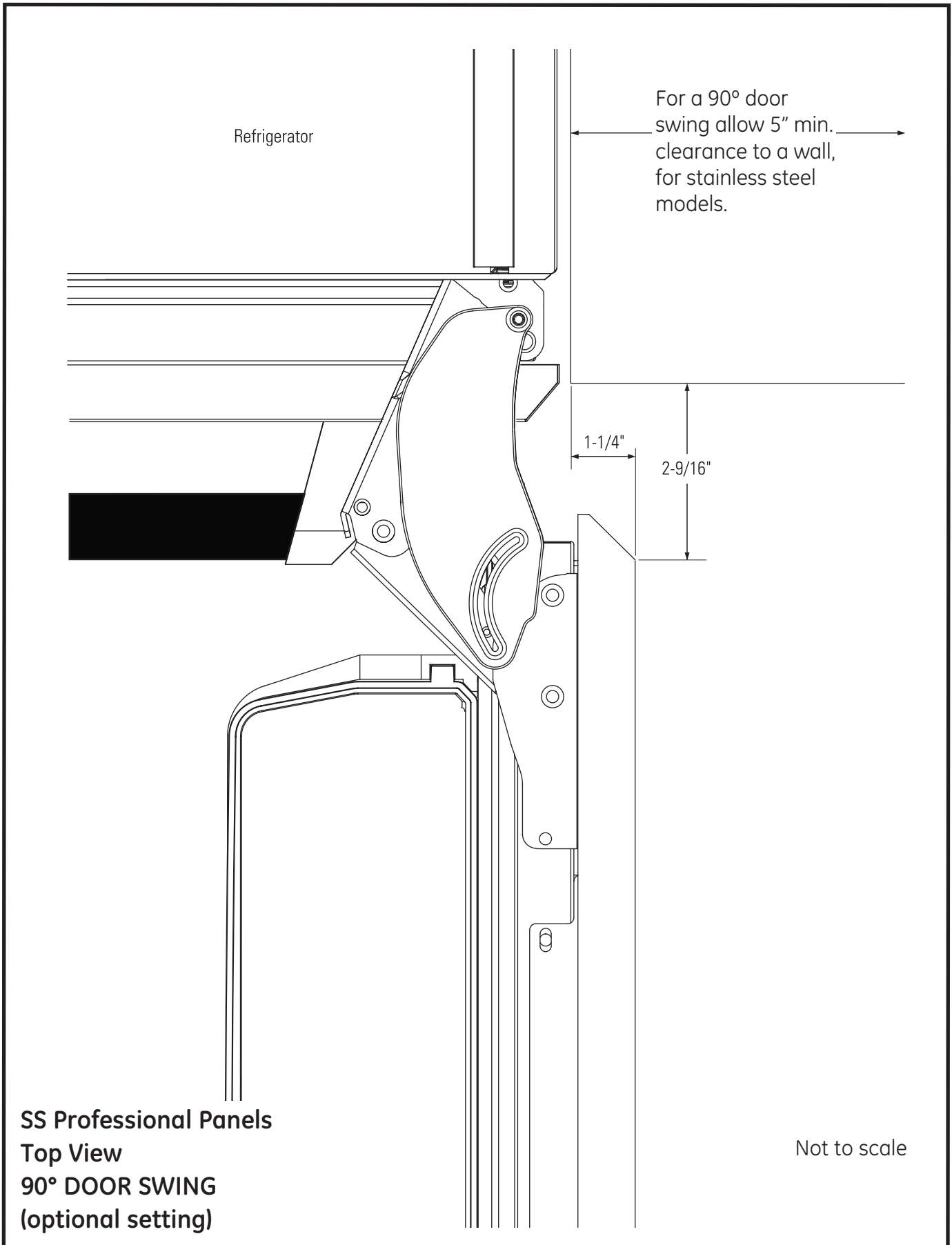
Product Clearances

These refrigerators are equipped with a 2-position door stop. The factory-set 115° door swing can be adjusted to 90° if clearance to adjacent cabinets or walls is restricted. For 90° Door swing see page 9.



SS Professional Panels
Top View
115° DOOR SWING
(factory setting)

Design Guide



Design Guide

SS PANEL ACCESSORY & DIMENSIONS

3/4"-Thick Solid Door Panel Options

For 80" High Installation

- Integrated – Panel Model ZKST300N LH & RH capable
- Professional – Panel Model ZKSP300N LH & RH capable

For 84" High Installation (The door panel is not reversible for the 84" Installations. A left or right-hand door panel accessory must be purchased.)

- LH Integrated – Model ZKST304NLH
- RH Integrated – Model ZKST304NRH
- LH Professional – Model ZKSP304NLH
- RH Professional – Model ZKSP304NRH

NOTE: Each kit also contains matching freezer and customizable drawer panels, handles and toe-kick.

3/4"-Thick Frame for Glass Door Options

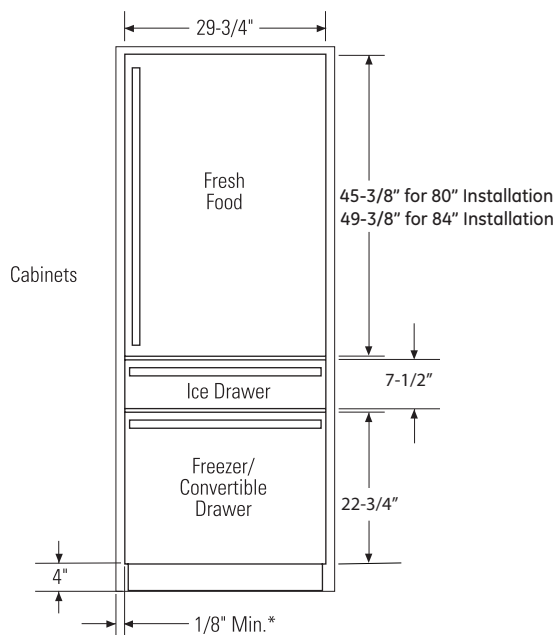
For 80" High Installation

- Integrated – Model ZKGT300N LH & RH capable
- Professional – Model ZKGP300N LH & RH capable

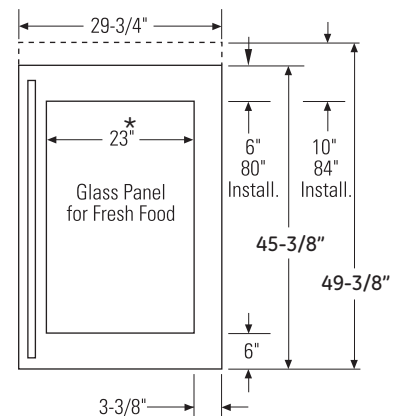
For 84" High Installation (The door panel is not reversible for the 84" Installations. A left or right-hand door panel accessory must be purchased.)

- LH Integrated – Model ZKGT304NLH
- RH Integrated – Model ZKGT304NRH
- LH Professional – Model ZKGP304NLH
- RH Professional – Model ZKGP304NRH

NOTE: Each option also contains matching freezer and Convertible drawer panels, handles and toe-kick.



*There must be a minimum 1/8" gap between panels and surrounding cabinetry.



*Pro style window is slightly smaller.

Optional Accessory Kits #:

- Side-by-Side Installation Kit – ZUG30
- European handle kit - (3 handles) - WR12X10988 (can be purchased through GE Parts)

Design Guide

3/4" CUSTOM PANEL DIMENSIONS: 80" High Fully Integrated Installation

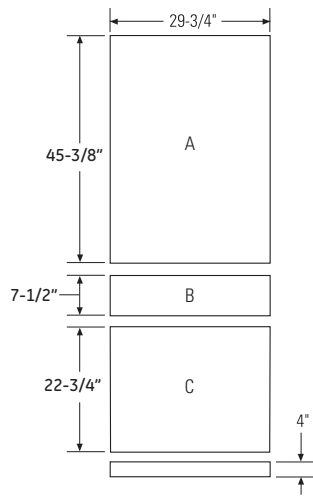
If you choose to install custom panels, they must be cut to the dimensions shown. The panels will attach to the door and drawers using a hook and bracket system.

EXTREMELY IMPORTANT: Custom wood panels must be at least 3/4" thick where hooks and bracket hardware are attached. Refer to Templates for hook and bracket location.

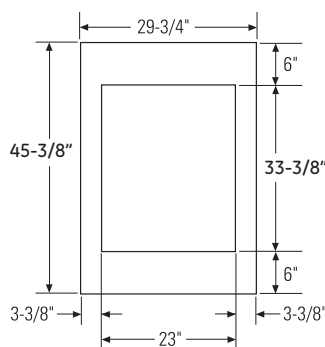
NOTE: This product is designed to handle 3/4" panels that are made of wood.

33-3/8" x 23" is the maximum opening for a glass window. The opening may be smaller if desired.

PANELS FOR SOLID DOOR AND DRAWERS



PANELS FOR GLASS DOOR



IMPORTANT NOTE: Maximum panel weight:

A Fresh Food Door Panel: 33 lbs.

B Freezer Drawer Panel: 9 lbs.

C Convertible Drawer Panel: 19 lbs.

*Styles must be a min 3-3/8" to cover aluminum door frame.



Design Tip: Some amount of each panel will be visible on the interior side of the unit. It is recommended that both sides of each panel be finished.



Design Tip: If using custom panels, a custom toe kick should be considered. The Bottom of case is white.

3/4" CUSTOM PANEL DIMENSIONS: 84" High Fully Integrated Installation

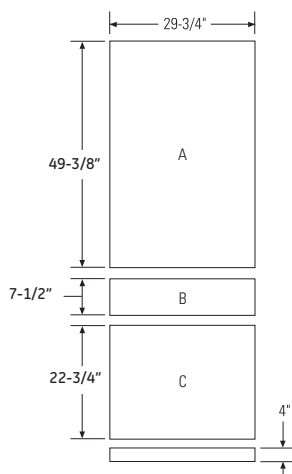
If you choose to install custom panels, they must be cut to the dimensions shown. The panels will attach to the door and drawers using a hook and bracket system.

EXTREMELY IMPORTANT: Custom wood panels must be at least 3/4" thick where hooks and bracket hardware are attached. Refer to Templates for hook and bracket location.

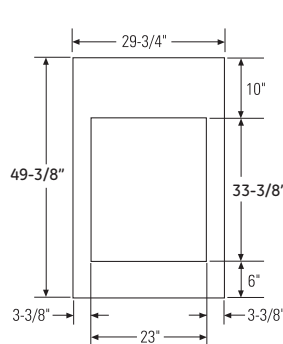
NOTE: this product is designed to handle 3/4" panels that are made of wood.

33-3/8" x 23" is the maximum opening for a glass window. The opening may be smaller if desired.

PANELS FOR SOLID DOOR AND DRAWERS



PANELS FOR GLASS DOOR



IMPORTANT NOTE: Maximum panel weight:

A Fresh Food Door Panel: 33 lbs.

B Freezer Drawer Panel : 9 lbs.

C Convertible Drawer Panel: 19 lbs.

*Styles must be a min 3-3/8" to cover aluminum door frame.



Design Tip: Some amount of each panel will be visible on the interior side of the unit. It is recommended that both sides of each panel be finished.



Design Tip: If using custom panels, a custom toe kick should be considered. The Bottom of case is white.

Installation Instructions

TOOLS REQUIRED

- 5/32" Allen wrench
- Utility knife
- Stepladder
- Bucket
- Level
- Appliance hand truck
- Tubing cutter
- 7/16" open-end wrench
- 1-5/16" open-end wrench
- #2 Phillips screwdriver
- Drill and bit set
- 5/16" socket
- Safety glasses
- Pliers
- 3/8" ratchet
- Torx T-20, T-30 wrench

HARDWARE SUPPLIED

- Anti-tip bracket & screws
- Panel mounting brackets
- Door panel templates- Pub # 31-46543
- Water filter - Part # GSWF
- Drywall Anchors and screws

MATERIALS REQUIRED

- 1/4" copper water line tubing or GE SmartConnect™ Refrigerator Tubing kits
- Water shut-off valve
- Custom panels for fresh food door, freezer drawer and Convertible drawer
- Velcro w/adhesive if using custom toekick.

FLOORING

For proper installation, this refrigerator must be placed on a level surface of hard material that is at the **same height as the rest of the flooring**. This surface should be strong enough to support a fully loaded refrigerator, or approximately 1,200 lbs.

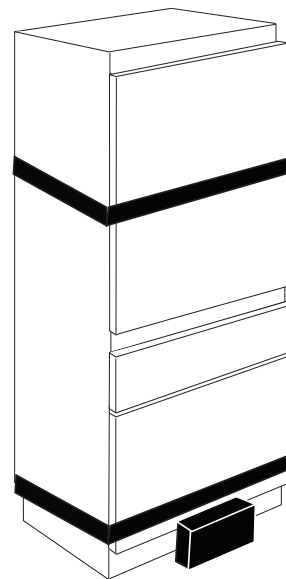
NOTE: Protect the finish of the flooring. Cut a large section of the cardboard carton and place under the refrigerator where you are working.

Installation Instructions

STEP 1 REMOVE PACKAGING

⚠ CAUTION: THE REFRIGERATOR IS TOP-HEAVY. BE CAREFUL WHEN MOVING.

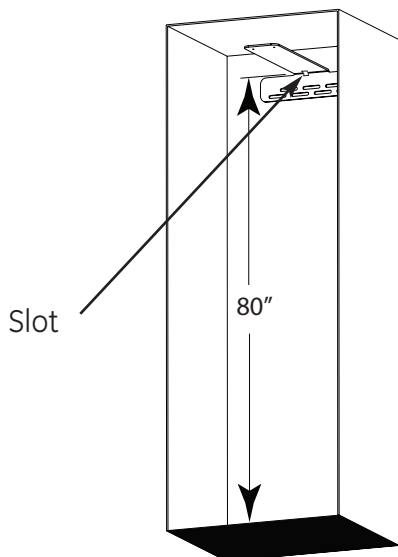
- Cut bands and tape on the top and bottom of packaging with a utility knife.
- Unfold the cardboard seams and remove the top of the packaging.
- Slide the remainder of the box off of the appliance. You can use a box cutter to cut the remaining cardboard being VERY CAREFUL not to scratch the appliance.
- Remove the Styrofoam supports from around the unit.
- **DO NOT remove door band or lower EPS banded part until unit is ready to go into enclosure.**
- Cut EPS skid at the sides near the front from the back of the unit.
- Push unit forward & remove rear portion of the EPS skid.
- Carefully lower rear onto the floor.
- Lean unit back slightly & remove front portion of the EPS skid.
- Discard all unused packaging materials appropriately.
- The unit can now be moved using an appliance hand truck or rolled on a properly protected floor by 2 people.
- Leave any protective film on the refrigerator until installation is complete.



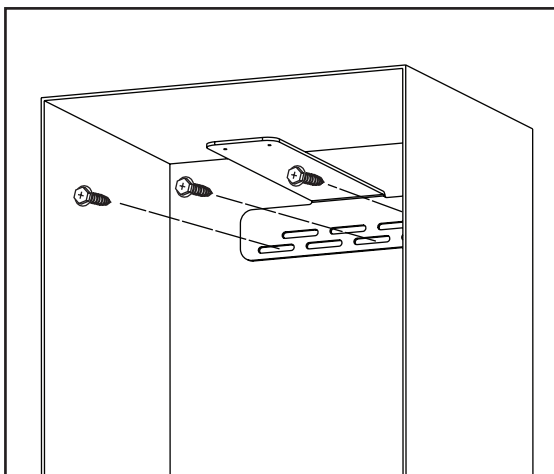
Installation Instructions

STEP 2 INSTALL ANTI-TIP BRACKET

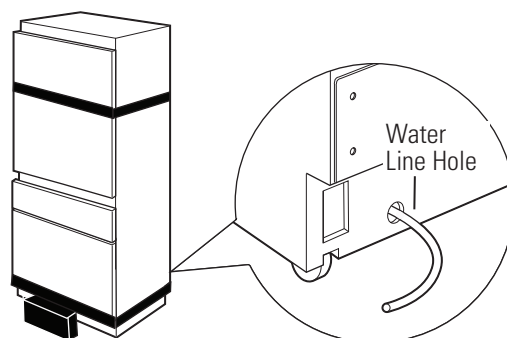
- Inside Top Face of bracket should be installed at 80". "Slot" in bracket should be placed in center of install Space (Typically 15")
- Mark (within slots, placement) stud and anchor positions on brackets.



- Secure bracket using combination of studs & anchors.
- **At least 1 stud must be engaged.** However, please engage as many studs as possible within the enclosure. A minimum of three fasteners should be used for proper installation.



STEP 3 CONNECT WATER LINE



- Position appliance in front of enclosure.
- Locate and bring tubing to the front of the cabinet.
- Turn the water on to flush debris from line. Run about a quart of water through tubing into a bucket; then shut off water.

If needed cut the tubing to the proper length so it can be attached to the water valve.

Copper Tubing:

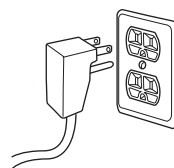
- Slip a 1/4" nut and ferrule over both ends of the copper tubing. Insert tube into the union fitting on the unit and tighten nut to union.
- Turn on the water to check for leaks.

GE SmartConnect™ Tubing:

- Insert the end of the tubing into the refrigerator connection. Tighten the compression nut until it is just hand-tight.
- Tighten one additional turn with a wrench. Overtightening can cause leaks!
- Turn on the water to check for leaks.

STEP 4 CONNECT POWER

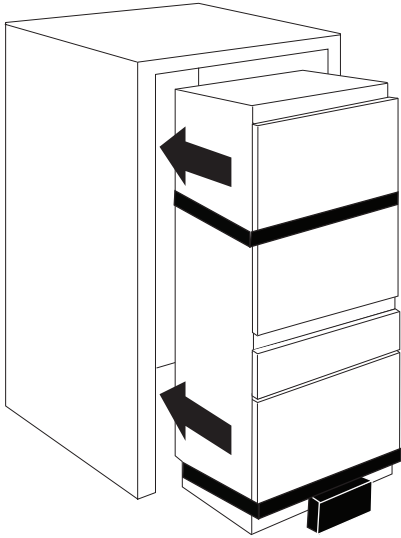
- Plug the power cord into the socket.
- Check to make sure power to refrigerator is on by opening the ice drawer (FF door will be banded shut) to see if interior lights are on.
- The temperature controls are preset at 37°F for the fresh food section and 0°F in both the freezer drawer and customizable drawer.
- Allow 24 hours to stabilize before making adjustments.



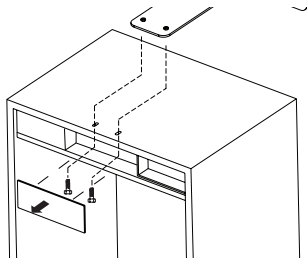
Installation Instructions

STEP 5 SLIDE UNIT INTO ENCLOSURE

Roll the unit into the enclosure, being careful not to pinch the water line or power cord.



- A long flat bar or yard stick may be needed to guide the front edge of the anti-tip bracket over the unit.
- If space allows, you may also bend the front edge of the bracket upward slightly, allowing it to clear the back of the unit.

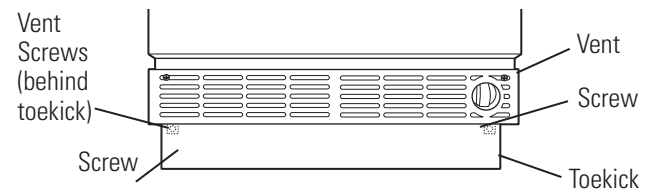


- Remove Top-Center trim cover from unit.
- Secure the unit to the Anti-tip bracket using both machine screws & washers to engage the threaded inserts in the anti-tip bracket.
- Hand start the screws until unit is in desired location within the install space.
- Finalize unit install by tightening the screws fully.
- Reinstall Trim cover.

STEP 6 REMOVE TOEKICK AND VENT

The toekick must be removed to access the leveling leg system.

- Remove band around EPS block in front of toekick.
- Remove and dispose of EPS block.
- Remove the solid portion of the toekick by pulling forward.
- Place the toekick, vent and screws out of the way so you will have them for reinstallation.

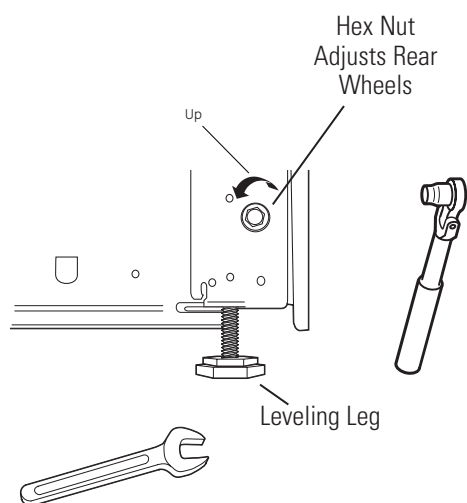


Installation Instructions

STEP 7 LEVEL REFRIGERATOR

All models have 4-point leveling. The front is supported by leveling legs; the rear is supported by adjustable wheels. Both are accessible from the front of the refrigerator.

- To level the back of the refrigerator, turn the 5/16" hex nut located above the front wheels. Turn counter clockwise to raise or clockwise to lower the refrigerator.
- For front leveling, use a 1-5/16" open-end wrench.
- Adjust height of refrigerator to match installation cutout opening. The refrigerator should be level and plumb with cabinetry.



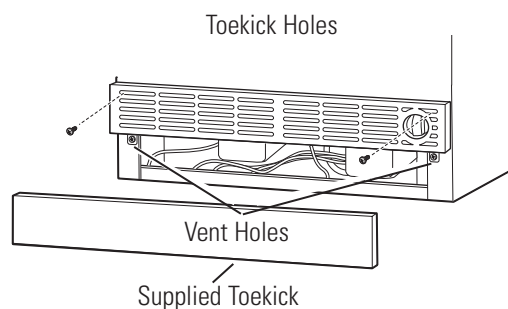
⚠ CAUTION:

The rear leveling wheels and front leveling legs are limited to a maximum height adjustment of 1". If the installation requires more than 84-1/2" height, the installer should elevate the refrigerator on a sheet of plywood or runners. Cabinetry trim could also be added across the top of the opening to shorten the opening.

If you attempt to raise the refrigerator more than 1", you will damage the front leveling legs and the rear leveling wheels.

STEP 8 INSTALL TOEKICK AND VENT

- Locate the toekick, vent and screws (removed earlier).
- A custom toekick can be installed to match or complement the surrounding cabinetry. Use the supplied toekick as a template.
- Reinstall the vent using the screws removed earlier.
- Reinstall the toekick .



Installation Instructions

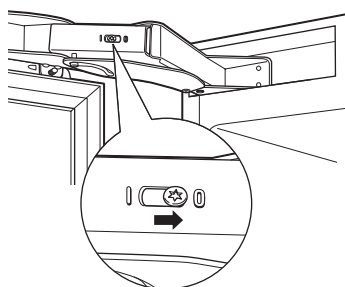
STEP 9 REVERSE DOOR SWING (If needed)

Skip this step if door swing is satisfactory.

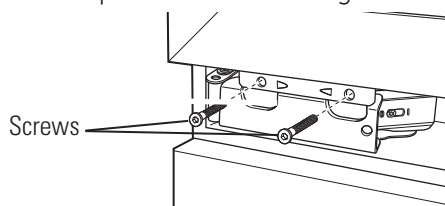
1. Open the fresh food door.

⚠ WARNING: THIS NEXT STEP IS IMPORTANT FOR SAFE HANDLING OF AN UNLOADED HINGE. DO NOT SKIP STEP 2.

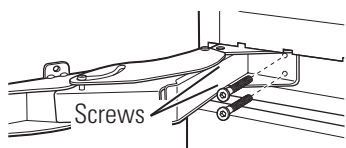
2. Release the hinge springs by using a Torx T-20 wrench to loosen the Torx screw from 1 to 0 on both hinges. Close the door.



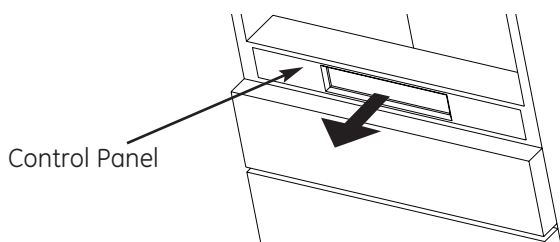
3. Using a 5/32" Allen wrench, remove the 2 screws per hinge that secure the door to the refrigerator. Have someone hold the door while removing these screws to keep the door from falling.



4. Open the hinges. Using a 5/32" Allen wrench, remove the 2 screws per hinge that secure the hinge to the refrigerator cabinet.



5. Remove the trim and hinge pocket from the top of the refrigerator and install on the opposite sides.
6. Remove the trim and hinge pocket from the bottom of the fresh food compartment. Remove the control panel and gently place in the FZ drawer.



7. Reinstall the control panel.

STEP 9 REVERSE DOOR SWING (cont).

8. The hinges will be reinstalled in opposite corners. The hinge from the top will be turned over and installed at the bottom of the fresh food compartment. The hinge from the bottom will be turned over and installed at the top of the fresh food compartment.

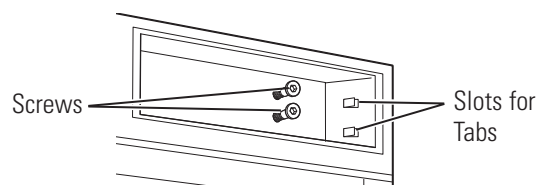


Top Hinge

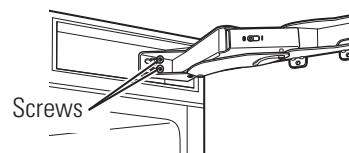


Bottom Hinge

9. Install the screws on the fresh food compartment cabinet in all 4 places. Screw them in about halfway.

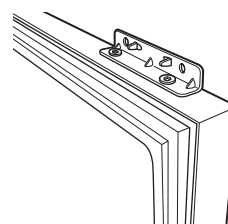


10. To install the top hinge, turn the hinge in the proper direction—the section of the bracket that will be attached to the door should be at the bottom of the hinge. Slide the hinge over the screws and seat the tabs into the hinge pocket. Tighten the screws.



11. To install the bottom hinge, turn the hinge in the proper direction—the section of the bracket that will attach to the door should be at the top of the hinge. Slide the hinge over the screws and seat the tabs into the hinge pocket. Tighten the screws. Close the hinge.

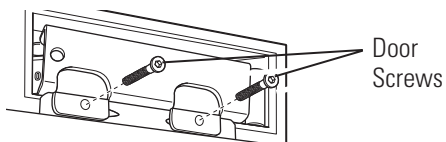
12. Remove the hinge brackets from the door and reinstall them on the opposite end, top and bottom.



Installation Instructions

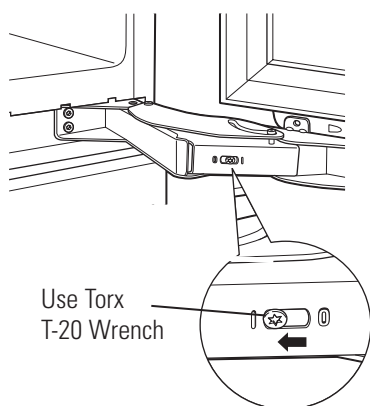
STEP 9 REVERSE DOOR SWING (cont).

13. With another person holding the door in place, align the holes in the door hinge bracket with the holes in the hinge. Install the screws to the top hinge first.



14. install screws on the bottom hinge next.

15. Using a Torx T-20 wrench, tighten the tension on the hinge springs by turning the screws from 0 to 1.

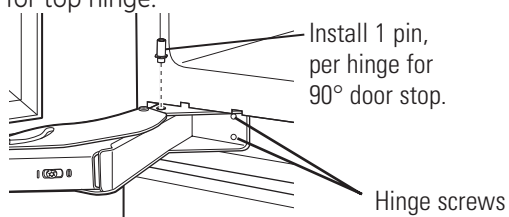


STEP 10 ADJUST DOOR SWING (if needed)

NOTE: This refrigerator has a 2-position door stop. When space does not allow the door to swing to 115°, you may limit the door swing to a 90°

Skip this step if door opening is satisfactory for your installation situation.

- Open the fresh food door to access the top and bottom hinges.
- Loosen the bottom hinge screws that attached to the unit
- Pull hinge forward slightly & insert hinge pin into the hole nearest the unit.
- You may need to use a small hammer to fully seat them in place.
- Retighten hinge screws.
- Repeat for top hinge.

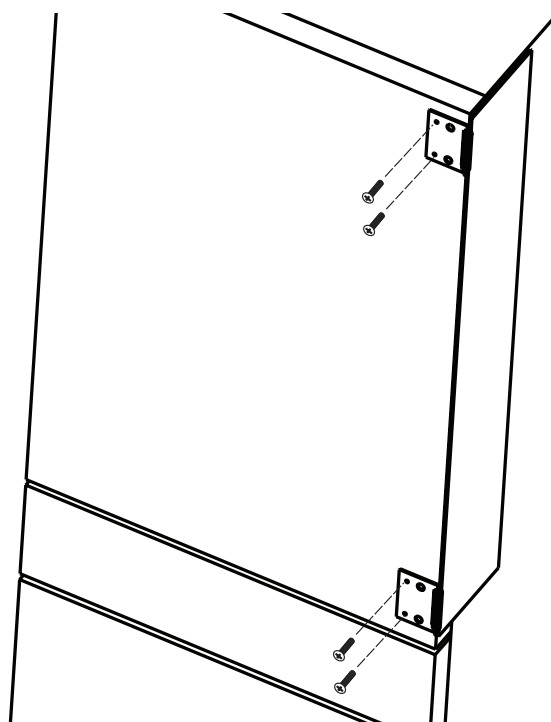


STEP 11 ATTACH HINGE GUARD

⚠ WARNING:

This appliance must be installed & operated with the hinge guard in place !

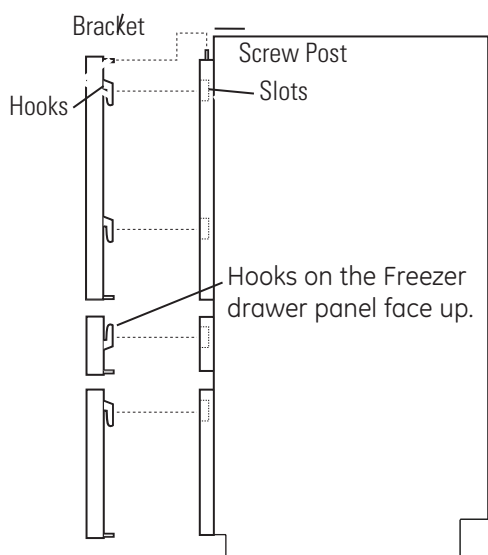
1. Attach hinge guard by sliding flat part between case and adjacent cabinetry.
2. Fasten guard to door front using 4 screws.



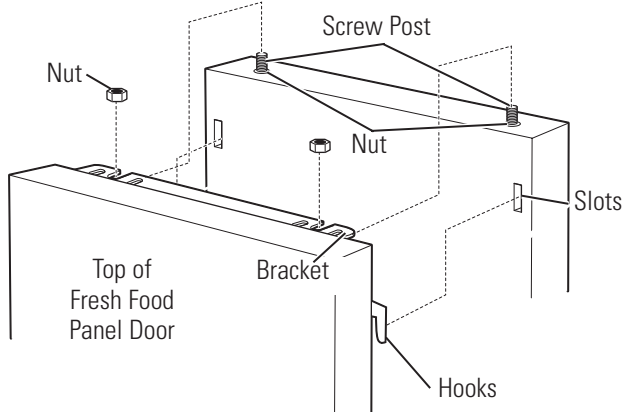
Installation Instructions

STEP 12 INSTALL DOOR AND DRAWER PANELS

1. Remove all door and drawer hooks from the unit and screw them to the custom panels, aligning them with the lowest set of predrilled holes for Monogram Panel Kits on the FF door panel.
2. Attach top L-Bracket to FF panel.
3. If you had custom handles made and they are not currently attached to your panels, do so now.
4. Open the fresh food door to attach the fresh food panel.
5. Slide the hooks on the fresh food panel into the slots of the door, and lower the hooks into place. Make sure the bracket on the top of the panel slides over the screw posts on top of the door. The brackets will rest on top of the nuts.

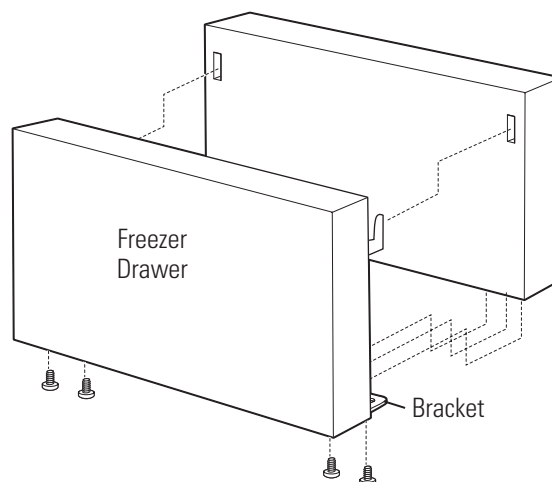


6. Adjust the screw posts up or down under the bracket on top of the door to level the panel.
7. Lock the panel to the door by installing the nuts provided onto the screw posts on top of the door. Next, screw the L-bracket provided into the bottom of the door and the panel.

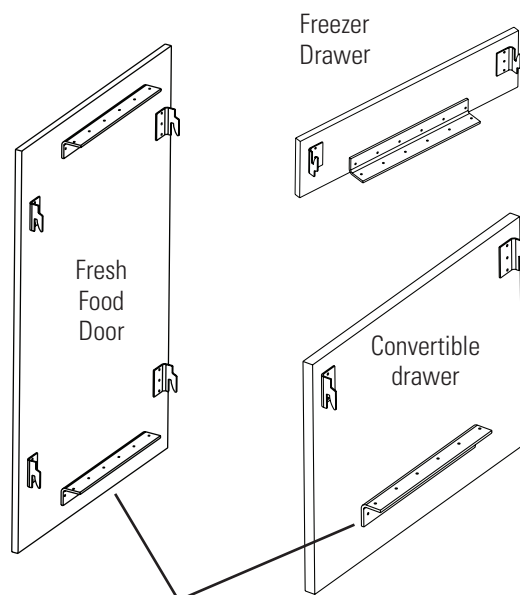


STEP 12 INSTALL DOOR AND DRAWER PANELS (cont).

7. Install the Freezer drawer panel by sliding the brackets **up** into place (the opposite direction of the hooks on the fresh food panel and Convertible drawer). .
8. Once the drawer panel is placed fasten the panel to the drawer by screwing the bottom bracket into the panel with the screws provided.
9. Repeat for the second drawer by sliding the hooks **down** instead of up.
10. If using custom toe-kick attach the toe-kick panel by placing Velcro on the back of the panel, and on the front of the toe-kick. If using SS toe-kick it is magnetic.
11. Adjust drawer alignment using lower brackets as needed to create uniform gaps.



Back View of Panel Hooks and Bracket



The lower brackets on the Fresh Food & Convertible Drawer should not be installed until after the panel is in place.

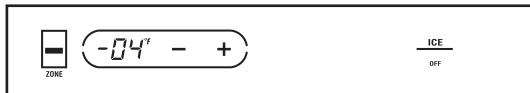
Installation Instructions

STEP 13 START ICEMAKER

- Press the **ZONE** indicator on the control pad twice to select the freezer drawer. Press the **ICE** icon on the right side of the control. A line will appear under **ICE** to show that the icemaker is ON.
- Be sure nothing interferes with the sweep of the feeler arm.
- Discard the first full bucket of ice cubes.



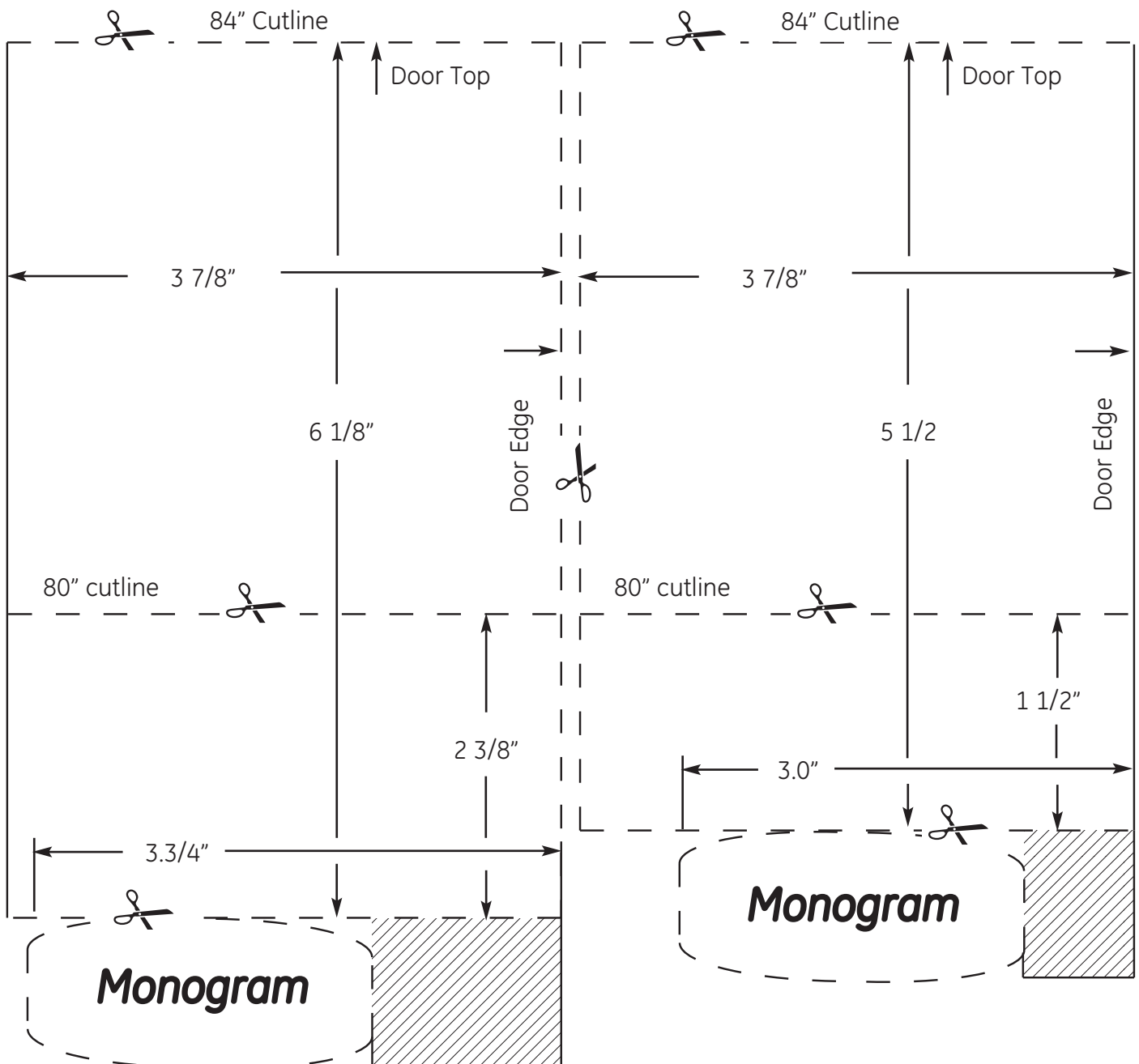
- To turn the icemaker off, press the **ICE** icon. The word **OFF** appears below **ICE** to show that the icemaker is OFF.



Installation Instructions

Professional Panel Badge Template

European Panel Badge Template



- To install badge, cut template that matches the panel style purchased, European or Professional.
 - Trim template for either 80" or 84" panel type.
 - Align template at top corner nearest hinge and place badge.
 - * For hinges on the left, flip template.
- Shaded section should be between door edge & badge.

Notes

Notes

NOTE: While performing installations described in this book, safety glasses or goggles should be worn.

For Monogram® local service in your area, call 1.800.444.1845.

NOTE: Product improvement is a continuing endeavor at General Electric. Therefore, materials, appearance and specifications are subject to change without notice.

Pub. No. 31-46542-2
Part No. 197D8125P002

02-11 GE



GE Consumer & Industrial
Appliances
General Electric Company
Louisville, KY 40225
GEAppliances.com
299895/en (03-11)