



OWNER'S MANUAL

**MANUEL
D'UTILISATION
Model • Modèle**

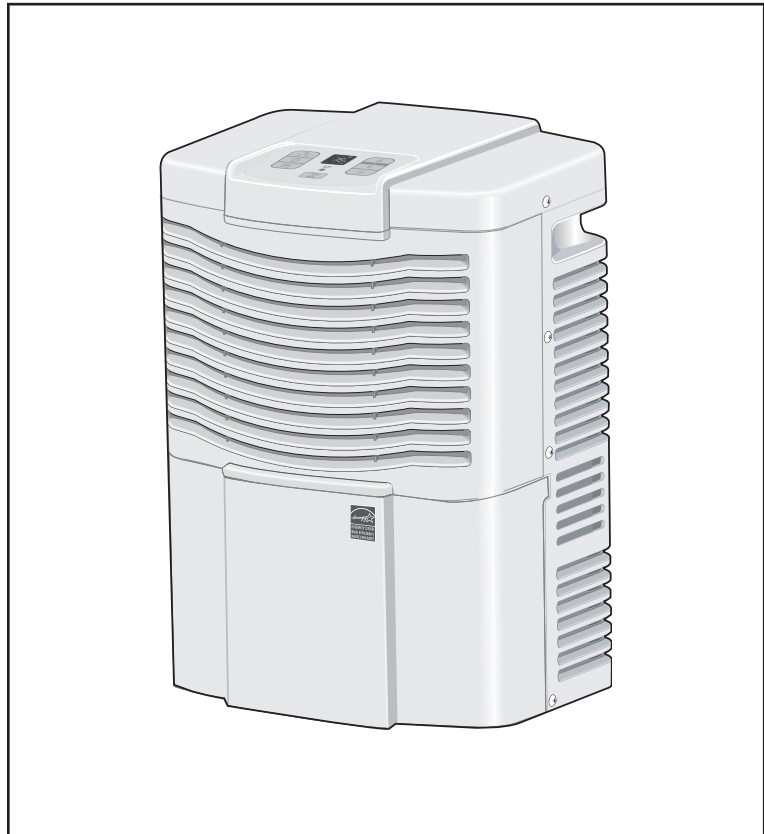
**DDR3008EE
DDR4588EE
DDR6588EE**

CAUTION:
Read complete installation and operating instructions before installing and/or using the dehumidifier.

ATTENTION :
Lire attentivement les consignes de sécurité et les instructions d'utilisation avant l'utilisation initiale de ce produit.

KEEP THESE INSTRUCTIONS FOR FUTURE REFERENCE.
If the Dehumidifier changes ownership, be sure this manual accompanies the unit.

CONSERVER CES INSTRUCTIONS POUR CONSULTATION ULTÉRIEURE
En cas de revente du déshumidificateur, ce manuel doit être inclus avec l'appareil.



**PORTABLE DEHUMIDIFIER
Table of contents1**

**DÉSUMIDIFICATEUR PORTATIF
Table des matières13**

Danby Products Limited, Guelph, Ontario Canada N1H 6Z9
Danby Products Inc., Findlay, Ohio USA 45839-0669

Table Of Contents

	Page
Introduction	2
Warnings, and Important Notices	3
Specifications	4
Installation	5
Features and Unit Parts Identification	6
Key Pad Functions	7
Operating Instructions	8
Setting up the Drain Hose Connector	10
Care and Maintenance, and Trouble Shooting Guide	11
Warranty	12

Introduction

Thank you for choosing this Danby® appliance to provide you and your family with all of the “Home Comfort” requirements for your home, cottage or office. This Owner’s Manual will provide you with valuable information necessary for the proper usage, care and maintenance of your new appliance. If properly maintained, your Danby® appliance will give you many years of trouble free operation. Please take a few moments and read the instructions thoroughly and familiarize yourself with all of the operational aspects of this appliance.

This unit can be conveniently moved from room to room within your home and set-up in just minutes.

For easy reference, may we suggest you attach a copy of your sales slip/receipt to this page, along with the following information which is located on the manufacturers nameplate located on the rear wall of the water tank compartment.

Model Number: DDR3008EE, DDR4588EE, DDR6588EE

Serial Number: _____

Date of Purchase: _____



Dealer’s Name and Address: _____

This information will be required if your unit requires servicing and/or for general inquiries. To contact a Customer Service Representative, telephone

1-800-26-DANBY (1-800-263-2629)

Keep these instructions for future reference.

 **This symbol denotes a caution or warning**

	CAUTION	
Do not leave this unit unattended or operate in an area where people or animals may not be able to react quickly. A failed unit may cause over-heating resulting in personal injury or property damage.		



WARNING - IMPORTANT NOTICES



NOTE: The WARNING instructions issued in this manual are not meant to cover all possible conditions and situations that may occur. It must be understood that common sense, caution and carefulness are factors that cannot be built into all appliances. These factors must be supplied by the person(s) installing, maintaining, or operating the appliance. Failure to install, maintain, and/or operate the equipment according to the manufacturer's instructions may result in conditions which can produce bodily injury and/or property damage. Contact your dealer, service agent or the manufacturer about any problems or conditions you do not fully understand. (For Danby Customer Service call 1 800 26 DANBY / 1 800 263 2629)

FOR YOUR SAFETY - To reduce the risk of fire or explosion, do not store or use gasoline or other flammable vapors or liquids in the vicinity of this or any other appliance.

ELECTRICAL SERVICE INFORMATION - To reduce the risk of fire, electric shock or personal injury, all wiring and grounding must conform with the latest edition of Local and National Electrical Codes. It is the customer's responsibility to have the wiring and fuses checked by a qualified electrician to make sure adequate electrical power is available.

This appliance is designed to operate on a separate branch, polarized, three-wire, effectively grounded, 120 Volt 60 Hertz (alternating current) circuit protected by a 15 ampere fuse, equivalent fuse or circuit breaker.

The three-prong grounding plug on the power cord should be plugged directly into a polarized three slot effectively grounded receptacle rated 110/120 V.A.C.

GROUNDING INSTRUCTIONS - Improper connection of the equipment-grounding conductor can result in a risk of electrical shock. Check with a qualified electrician or serviceman if you are in doubt as to whether your appliance outlets are properly grounded.

This appliance must be grounded. In the event of malfunction or breakdown, grounding will reduce the risk of electrical shock by providing a path of least resistance for electrical current. This appliance is equipped with a cord having an equipment-grounding conductor and 3 prong grounding plug. The plug must be connected into an outlet that is properly installed and grounded in the accordance with all local codes and ordinances.

Do not modify the plug provided with the appliance. If it will not fit the outlet, have a proper outlet installed by a qualified electrician.

If the household electrical supply does not meet the above specifications, or if you are not sure your home has an effective ground, have a qualified electrician or your local electrical utility company check it and correct any problems.

Electrical Specifications

1. All wiring must comply with local and national electrical codes and be installed by a qualified electrician. If you have any questions regarding the following instructions, contact a qualified electrician.
2. Check available power supply and resolve any wiring problems BEFORE installation and operation of this unit.
3. For your safety and protection, this unit is grounded through the power cord plug when plugged into a matching wall outlet. If you are not sure whether the wall outlets in your home are properly grounded, please consult a qualified electrician. **DO NOT USE PLUG ADAPTERS OR EXTENSION CORDS.**
4. The manufacturer's nameplate is located on the rear wall of the water tank compartment. The nameplate contains electrical and other technical data specific to this unit.
5. To avoid the possibility of personal injury, always disconnect the power supply before attempting to clean and/or service the unit.

Unit Specifications:	DDR3008EE	DDR4588E	DDR6588EE
Dehumidifying Capacity (Pints / Liters)	30/14.2	45/21.3	65/30.7
Electrical Requirements	115 Volts / 60 Hz		
Power Input (watts)	490	590	735
Rated Amperage • Dehumidifying	4.4	5.2	6.5
Air Flow Circulation - High Fan Speed (Cubic Feet per Minute)	115	121	158
Type of Refrigerant	R22		
Water Tank Capacity (Liters / Pints)	9.9/21		
Operating Noise Level (dB A)	53	53	60
Unit Dimensions Width / Height / Depth	15.0/22.8/13.2		
Net Weight (kg / lbs.)	16.5/36.4	17.1/37.7	18.6/41.0

NOTE: Specifications are subject to change without notice, for further improvements.

INSTALLATION

Location:

Select a suitable location, making sure you have easy access to an electrical outlet. (avoid the use of extension cords) If it is absolutely necessary to use an extension cord, use an approved "air conditioner" heavy duty extension cord only. (available at most local hardware stores)

Select a suitable location making sure there are no obstructions restricting airflow through the front air intake grill. Maintain a minimum clearance of a least 20cm (8") between adjacent walls and the back of the unit to allow for proper air circulation and maximum efficiency.

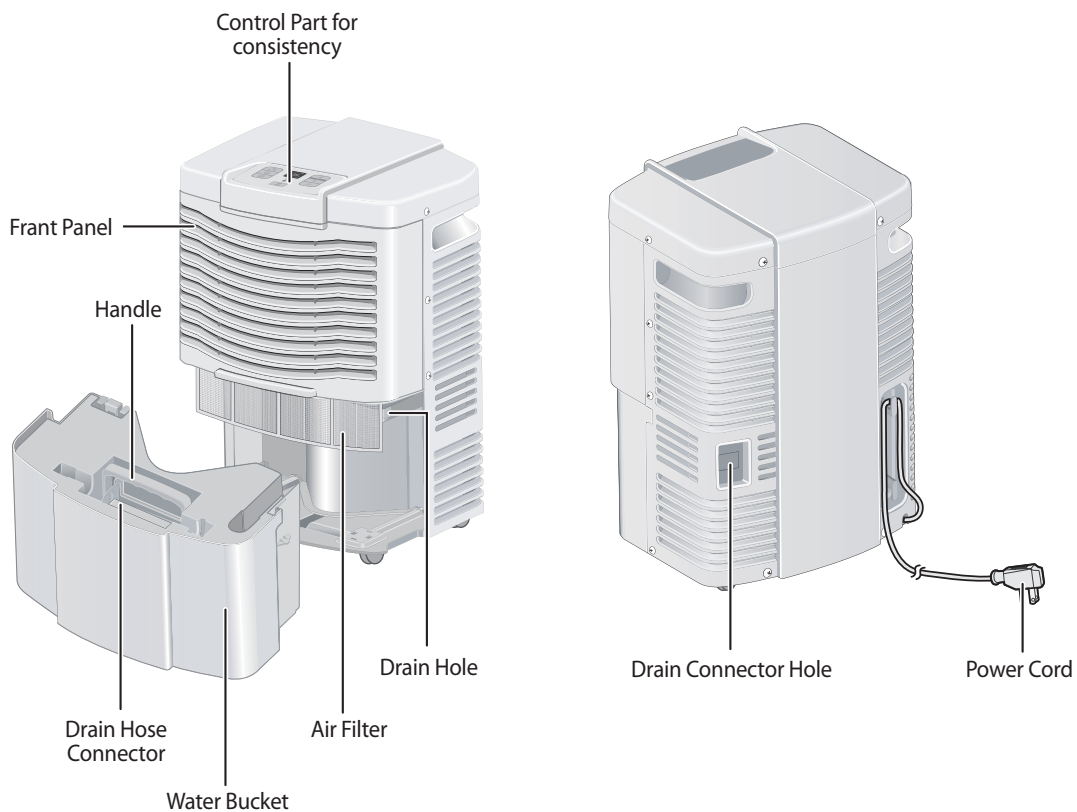
To obtain maximum operating efficiency from your dehumidifier, the recommended (room ambient) operating temperatures should be between 3°C / 38°F ~ 35°C / 95°F.

It is important to remember the efficiency of a dehumidifier will be effected /influenced by the rate at which new humid air (moisture) is allowed to infiltrate the same space/area. To maintain efficiency, the dehumidifier must be operated in an enclosed area. Keep all doors and windows closed.

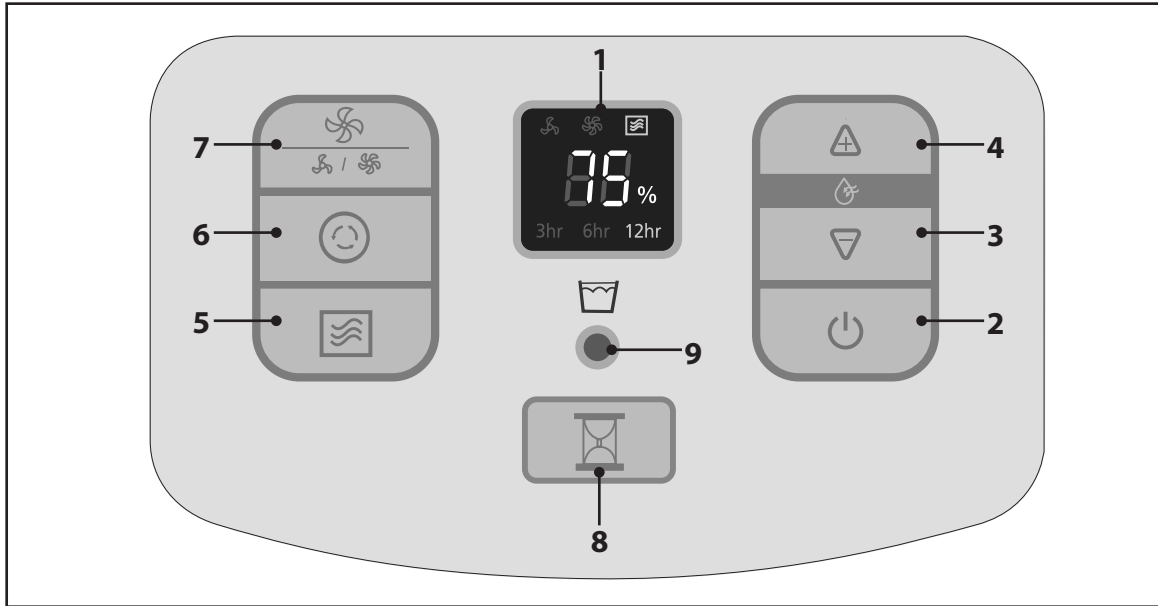
FEATURES

- Soft Touch (Electronic) Control Key Pads
- Auto-Sensing Humidity Control
- Adjustable Humidity Settings (35% ~ 80%)
- 2 Fan Speed Settings (High/Low)
- Delay Start Protection (compressor)
- Auto-Defrost (De-Icier)
- Full Bucket Indicator Light
- Easy Roll Casters (4)
- Front Mounted Water Tank (Removable)
- Direct Drain Option (Hose not Included)
- Quiet Operation
- Removable Air Filter
- Timer (3 / 6 / 12hr)
- Continuous Run
- Auto restart

Unit Parts Identification



KEY PAD FUNCTIONS.



1. LED (SETTING HUMIDITY): The LED window displays the following information independently;
 A. Set Operating Relative Humidity Value.
 B. Function indicator will light up;
 (Fan Speed, Time, Self Dry)

2. ON/OFF Button : Each time this button is pressed the unit turns On (adjacent indicator light illuminates) or Off (adjacent indicator light is not illuminated).

3. HUMIDITY DOWN: This button allows you to decrease the relative humidity setting. Each time this button is pressed the RH value setting is decreased incrementally by 5%. (ranging from 80% ~ 35%)

4. HUMIDITY UP: This button allows you to increase the relative humidity setting. Each time this button is pressed the RH value setting is increased incrementally by 5%. (ranging from 35% ~ 80%)

5.SELF DRY:Self Dry mode can be used to clean the unit and removes excess humidity. You can operate Self Dry mode when the dehumidifier is powered on or off.
 The inside moisture of the unit is removed in 30 minutes.
 After 30 minutes, the product will power off.

6. CONTINUOUS: Used for Continuous Dehumidifier Operation. (unit will run non-stop)
LED will be displayed [[]].

7.FAN SPEED: Press the Fan speed button to select the fan speed (Hi/Low)

8.Timer: Press the Timer button to select the off timer to shut off in 3Hr ► 6Hr ► or 12Hr.

9.WATER FULL INDICATOR: This (red) light illuminates under the following conditions;
 A. When the internal water tank is not properly installed inside the cabinet.
 B. When the internal water tank is full. The Water tank must be emptied and replaced back in the cabinet before normal operating conditions can resume.

Operating Instructions

Indicator Light Function:

LED Display:

When the unit is first connected to an electrical outlet, the LED will not light until the "on/off" button is pressed. When the "on/off" button is pressed, the dehumidifier will automatically default to the factory default setting. (See Factory Default Setting for details)

IMPORTANT NOTE: Depending on the humidity conditions of the surrounding environment, the dehumidifier may not start automatically when the "on/off" button is pressed. (see dehumidifier operating instructions for details)

In the event of a power failure, the unit will re-start automatically when power is restored.

Water Full Indicator Light (Red):

When the water tank is full and /or incorrectly positioned inside the cabinet, the (water full) red light turns on and remains on until such time the tank is emptied and/or correctly re-positioned. This condition will result in the immediate shut down of the dehumidifying system. (compressor operation is terminated, and several minutes later, the fan motor is terminated) This is a safety feature. When the water tank is emptied and/or correctly re-positioned, the dehumidifier will turn off.

Factory Default Setting:

The electronic circuit board automatically defaults to the following factory setting.

Humidity Setting: 50%

Fan Speed: Hi

Water Tank Operation:

Proper installation of the water tank is crucial in maintaining reliable dehumidifier operation.

The water tank holds accumulated condensed water and by means of a safety switch controls both the water level and operation of the dehumidification process.

i.e. When the water tank is full and/or accidentally displaced inside the cabinet, the float switch actuator (inside the tank) breaks contact with the safety switch.

This condition results in the immediate shut down of the compressor, preventing moisture from being condensed.

IMPORTANT: Never tamper with or attempt to defeat the water level (safety) float switch system.

Operating Instructions

Operating Instructions:

Dehumidifying is a means of removing moisture from the air. A dehumidifier will help to protect your home and valued possessions from damage (swelling) caused by moisture in the air. Essentially a dehumidifier removes moisture from the air, as moist air passes over a dehumidifying (evaporator) coil. Moisture is condensed on the evaporator coil, drained and collected inside an internal (removable) water tank located at the front of the unit. The exhausted air being returned into the room environment is elevated several degrees causing the surrounding air temperature to increase (slightly). This process also contributes to lowering the relative humidity of the surrounding air.

Dehumidifying Mode Instructions:

When the unit is first connected to the electrical outlet, the LED will not display until the "on/off" button is pressed. When the "on/off" button is activated (pressed), the LED light turns to factory default setting:

Humidity Setting: 50% RH

Fan Speed: = HI

IMPORTANT NOTE: Depending on humidity conditions of the surrounding environment, the dehumidifier may not start automatically under the default setting. (this is an indication the humidity level of the surrounding environment is lower than the "default setting of 50% RH) Therefore, it may be necessary to scroll through each of the different dehumidifier settings 35% ~ 80% until the "humidistat" (sensor) recognizes conditions that will allow the unit to operate.

DEHUMIDIFYING MODE SELECTION:

1. To turn the unit on press the ON/OFF button.
2. Press the humidity "UP" or "DOWN" button to select a desired RH operating value. (35% ~ 80%)

-OR-

2a. Press the CONT. button. When CONTINUOUS mode is selected, the humidistat (control) will be by-passed and the compressor will operate non-stop regardless of humidity conditions.

FAN SPEED SELECTION:

3. Select a fan speed on the keypad. When pressing the fan speed Button, the Fan Speed will switch between Low and high.

AIR FILTER:

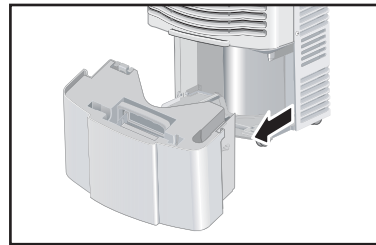
Your dehumidifier features a removable Air Filter. This filter is located at the front of the unit (behind the air intake grill) directly above the water tank compartment. The air filter plays an important role in helping to reduce (minimize) dust/dirt particles from the surrounding environment. A blocked/clogged air filter reduces air intake, impacting negatively on operating efficiency. To maintain maximum operating efficiency; The filter must be checked and cleaned regularly. (every 2 weeks)

More frequent cleaning may be required depending upon indoor air quality.

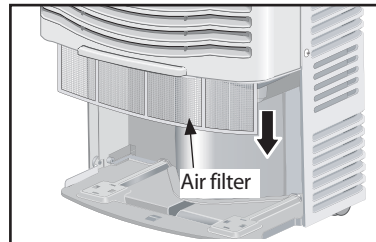
IMPORTANT: Never operate the unit without the air filter in place.

AIR FILTER REMOVAL:

1. Hold the holes on both sides of the water bucket and slide it out.

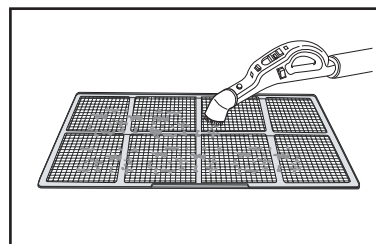


2. Remove the air filter by pulling down.



3. You may remove the dust with a vacuum cleaner or brush.

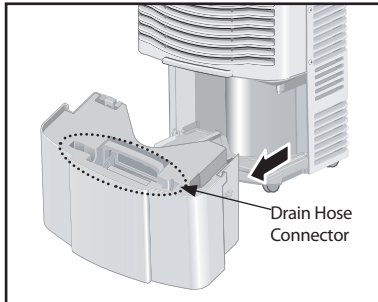
: If there is too much dust, please wash the air filter with warm water and dry it in the shade. Please do not wrap the air filter when cleaning it.



Setting up the Drain Hose Connector

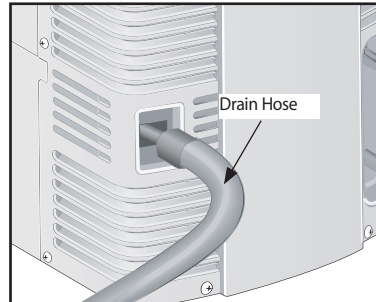
The Drain hose connector can be used to drain the water externally, instead of using the water bucket.

1. Hold the holes on both sides of the water bucket and slide it out.

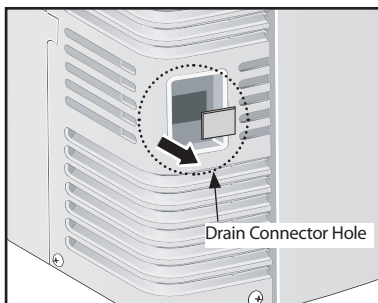


4. Connect the Drain Hose to the Drain Hose Connector.

: The Drain hose sold separately at participating retail stores. (An optional drain hose is available for purchase through Retail stores.)

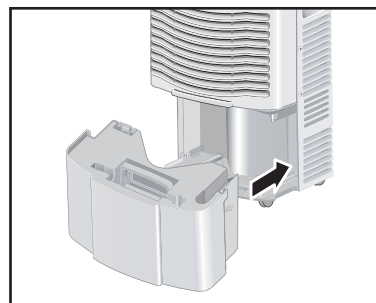


2. Remove the Drain Connector Hole cover located in the back of the unit.

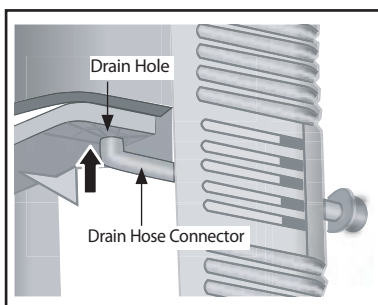


5. Slide the water bucket back into place.

: If the water bucket is incorrectly inserted, the Bucket Full light will come on and the product will not operate.



3. Slide the Drain Hose Connector through the Drain Connector Hole, and connect it to the Drain Hole.



Care and Maintenance

Cleaning

CAUTION: Before attempting to clean and/or service this unit, always disconnect the power supply cord from the electrical power supply/outlet.

1. **DO NOT** use gasoline, benzene, paint thinner, or any other chemicals to clean this unit, as these substances will damage/deform both plastic components and luster finish.
2. Never attempt to clean the unit by pouring water directly over any of the surface areas, as this will cause deterioration of electrical components and wiring insulation.
3. Use only a mild dish washing detergent, lukewarm water and a soft cloth to wipe the exterior surface of the unit and dry thoroughly.

Storage

When the dehumidifier is not being used for long time periods, please follow these instructions.

1. Disconnect the power cord from the power supply.
2. Empty the water tank and wipe (clean) thoroughly.
3. Clean air filter thoroughly
4. Re-package the unit in the original carton.
5. Store the unit upright in a dry location.

TROUBLE SHOOTING GUIDE

Frequently, some problems are of a minor nature and a service call may not be necessary. Use this troubleshooting guide to identify possible problems you may be experiencing. If the unit continues to operate improperly, call your local Danby® Service Depot or 1-800-26-DANBY (1-800-263-2629) for assistance.

PROBLEM	POSSIBLE CAUSE
Unit will not operate.	Check power cord connection. Check electrical outlet for blown fuse. Check if water tank is full (empty). Check water tank is properly installed.
Dehumidifying capacity (moisture removal) low.	Air filter is dirty and/or blocked. Ambient room temperature too low. (below 3°C/38°F) Poor airflow circulation / obstruction of front grill. Relative Humidity in surrounding environment very low.
Relative Humidity setting not reached after long period of operation.	Check all doors and windows are closed. Area/room is too large for the capacity of the dehumidifier.



LIMITED DEHUMIDIFIER WARRANTY

This quality product is warranted to be free from manufacturer's defects in material and workmanship, provided that the unit is used under the normal operating conditions intended by the manufacturer.

This warranty is available only to the person to whom the unit was originally sold by Danby or by an authorized distributor of Danby, and is non-transferable.

TERMS OF WARRANTY

Plastic parts, are warranted for thirty (30) days only from purchase date, with no extensions provided.

First 12 Months During the first twelve (12) months, any electrical parts of this product found to be defective, including any sealed system units, will be repaired or replaced, at warrantor's option, at no charge to the ORIGINAL purchaser.

To obtain Service It will be the consumer's responsibility to transport the appliance (at their own expense) to the original retailer (point of purchase) or a service depot for repair. Contact your dealer from whom your unit was purchased, or contact your nearest authorized Danby service depot, where service must be performed by a qualified service technician.

If service is performed on the units by anyone other than an authorized service depot, or the unit is used for commercial application, all obligations of Danby under this warranty shall be at an end.

EXCLUSIONS

Save as herein provided, Danby Products Limited (Canada) or Danby Products Inc. (U.S.A.), there are no other warranties, conditions, representations or guarantees, express or implied, made or intended by Danby Products Limited or its authorized distributors and all other warranties, conditions, representations or guarantees, including any warranties, conditions, representations or guarantees under any Sale of Goods Act or like legislation or statute is hereby expressly excluded. Save as herein provided, Danby Products Limited (Canada) or Danby Products Inc. (U.S.A), shall not be responsible for any damages to persons or property, including the unit itself, howsoever caused or any consequential damages arising from the malfunction of the unit and by the purchase of the unit, the purchaser does hereby agree to indemnify and save harmless Danby Products Limited from any claim for damages to persons or property caused by the unit.

GENERAL PROVISIONS

No warranty or insurance herein contained or set out shall apply when damage or repair is caused by any of the following:

- 1) Power Failure.
- 2) Damage in transit or when moving the appliance.
- 3) Improper power supply such as low voltage, defective house wiring or inadequate fuses.
- 4) Accident, alteration, abuse or misuse of the appliance such as inadequate air circulation in the room or abnormal operating conditions, (extremely high or low room temperature).
- 5) Use for commercial or industrial purposes.
- 6) Fire, water damage, theft, war, riot, hostility, acts of God such as hurricanes, floods etc.
- 7) Service calls resulting in customer education.

Proof of purchase date will be required for warranty claims; so, please retain bills of sale. In the event warranty service is required, present this document to our AUTHORIZED SERVICE DEPOT.

Warranty Service

Carry-In

Danby Products Limited
PO Box 1778, 5070 Whitelaw RD, Guelph, Ontario, Canada N1H 6Z9
Telephone: (519) 837-0920 FAX: (519) 837-0449

Danby Products Inc.
PO Box 669, 101 Bentley Court, Findlay, Ohio, U.S.A. 45839-0669
Telephone: (419) 425-8627 FAX: (419) 425-8629

07/07