



# Top Load Laundry Center

FFLG1011M W

2.95 Cu. Ft. Washer D.O.E.  
5.5 Cu. Ft. Dryer D.O.E.  
Gas



## Product Dimensions

Height	76"
Width	27"
Depth	31-1/2"

## More Easy To Use Features

### Balanced Dry System

**Timed Dry (Minutes)**  
15, 30, 60, 90

Available in:



Classic  
White  
(W)

## Signature Features

### Immersion Care™ Wash Action

Gently spins and pulls water and detergent through clothes for more thorough, gentle cleaning.

### Fresh Water Rinse

Final rinse uses fresh water to ensure whiter whites and reduce allergens.

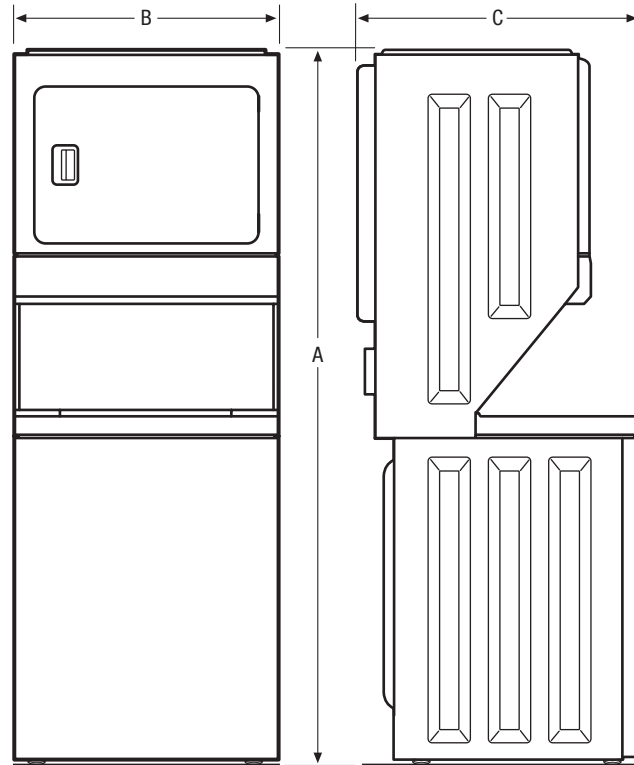
### Vibration Control System

Advanced vibration control keeps even oversized loads balanced for smooth, quiet operation. Ideal for second floor installation.

### Dryer Temperature Options

Low, medium and high.

<b>Washer Features</b>	
Washer Type	HE Top Load
Total Capacity D.O.E. (Cu.Ft.)	2.95
Controls	Ready-Select*
Washer Interior	Polypropylene
Vibration Control System	Yes
Suspension System	Sure-Spin™
Wash System	Immersion Care™ Action
Fresh Water Rinse	Yes
Automatic Temperature Control	
Water Level Adjustments	Yes
Bleach Dispenser/Detergent Dispenser	Yes/No
Fabric Softener Dispenser	
Cycle Signal	
Cycle Signal "On/Off"	
Agitate Speeds (Strokes/Min.)	Variable
Spin Speeds (RPM)	600
Sound Package	
<b>Wash Cycles</b>	
Wash Cycles/Specialty Cycles	8/0
<b>Washer Options</b>	
Temperature Selections	3 (Rotary)
Water Levels/Energy Saver Option	3/No
<b>Dryer Features</b>	
Total Capacity D.O.E. (Cu.Ft.)	5.5
Dryer Drum Interior/Interior Light	Painted Steel/No
Wrinkle Release Technology	
DrySense™ Technology	
Moisture Sensor	
Cycle Signal	
Cycle Signal "On/Off"	
Tumble Speed (RPM)	50
Lint Screen	Yes
Sound Package	
<b>Dry Cycles</b>	
Dry Cycles/Specialty Cycles	8/0
<b>Dryer Options</b>	
Temperature Selections	3
Dryness Level Selections	0
Timed Dry (Minutes)	15, 30, 60, 90
<b>Optional Accessories</b>	
Mobile Home Installation Kit	PN# 137067200
Drain Hose Extension Kit	PN# 134592700
LP Gas Conversion Kit	PN# PCK3001
Drying Rack	PN# DRLC
<b>Certifications</b>	
ENERGY STAR®	
NSF® Certified	
<b>Specifications</b>	
Maximum Exhaust Duct Length <sup>1</sup> (Ft.)	56
Gas Connection	Rear
Power Supply Connection Location	Middle Rear
Water Inlet Connection Location	Middle Rear
Voltage Rating	120V/60Hz/15A
Connected Load (kW Rating) @ 120 Volts <sup>2</sup>	1.03
Amps @ 120 Volts	13
Heating Element (BTU/HR)	20,000
Shipping Weight (Approx.)	275 Lbs.



NOTE: For planning purposes only. Always consult local and national electric, gas and plumbing codes. Refer to Product Installation Guide for detailed installation instructions on the web at [frigidaire.com](http://frigidaire.com).



Product Dimensions	
A - Height	76"
B - Width	27"
C - Depth	31-1/2"
Depth with Door Open 90°	47-1/2"

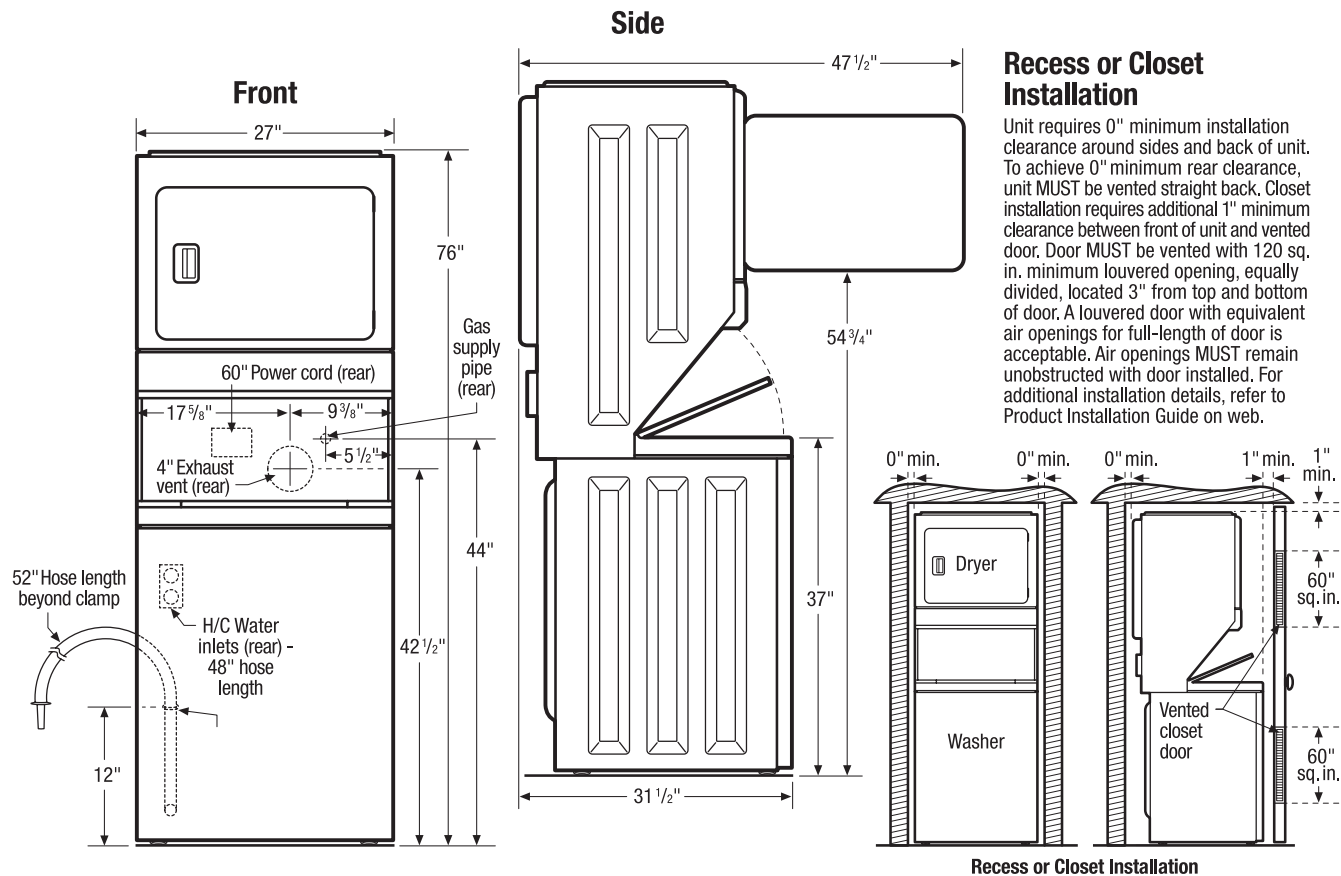
Accessories information available on the web at [frigidaire.com](http://frigidaire.com)

<sup>1</sup>Rigid metal duct preferred, semi-rigid optional and allow deductions for elbows and vents. Refer to Installation Guide on web for additional information.

<sup>2</sup>For use on adequately wired 120V, dedicated circuit having 2-wire service with a separate ground wire. Appliance must be grounded for safe operation.

FRIGIDAIRE

USA • 10200 David Taylor Drive • Charlotte, NC 28262 • 1-800-FRIGIDAIRE • [frigidaire.com](http://frigidaire.com)  
 CANADA • 5855 Terry Fox Way • Mississauga, ON L5V 3E4 • 1-800-265-8352 • [frigidaire.ca](http://frigidaire.ca)



### Top Load Laundry Center Specifications

- Product Shipping Weight (approx.) - 275 Lbs.
  - Designed for HOME USE only, not recommended for commercial application.
  - An electrical supply with grounded three-prong receptacle is required. The power supply circuit must be installed in accordance with current edition of National Electrical Code (ANSI/NFPA 70) and local codes & ordinances.
  - Voltage Rating - 120V / 60 Hz / 15 Amps
  - Amps @ 120 Volts = 13 Amps
  - Connected Load (kW Rating) @ 120 Volts = 1.03kW
  - Unit equipped with 120V 3-wire power supply cord, approx. 60" long.
  - Always consult local and national electric, plumbing & gas codes.
  - Can be installed in recess or closet requiring 0" minimum installation clearance around sides and back of unit. To achieve 0" minimum rear clearance, dryer MUST be vented straight back. Closet installation requires additional 1" minimum clearance between front of unit and vented door. Door MUST be vented with 120 sq. in. minimum louvered opening, equally divided, located 3" from top and bottom of door. A louvered door with equivalent air openings for full-length of door is acceptable. Air openings MUST remain unobstructed with door installed. (For additional installation details, refer to Product Installation Guide on web.)
  - Do NOT install in area exposed to dripping water or outdoor weather conditions; where gasoline or other flammables are kept or stored; or where dryer comes in contact with curtains, drapes or anything that will obstruct flow of combustion and ventilation air.
  - For garage installation, dryer MUST be located minimum 18" above floor.
  - Floor MUST be solid with 1" maximum slope. Do NOT install on carpeted surface.
  - Dryer MUST exhaust to outside of building, NOT into any concealed space.
  - Exhaust installation requires minimum 4"-diameter rigid or semi-rigid metal duct with approved, unobstructed vent hood having swing-out damper(s). If installing rigid metal duct (preferred), do not exceed MAXIMUM venting run length of 56 ft., allow deductions for elbows and vents. If installing semi-rigid metal duct, do not exceed MAXIMUM venting run length of 8 ft., always allow deductions for elbows and vents (Refer to Product Installation Guide on web for additional information). Do NOT use flexible plastic or metal foil duct and use shortest run possible.
  - Flush-to-wall installation allows for 4-way exhausting — straight back, down, left and right. While vertical exhausting is acceptable, certain circumstances could affect dryer's performance; and unit will be positioned 4-1/2" from wall. (Flush-to-wall exhausting may be done by going below dryer, then sideways.)
  - H/C water faucets MUST be installed within 42" of washer's water inlet and MUST be 3/4" with threading for laundry hose connection to connect to 48" inlet hoses.
  - Water pressure MUST be between 10 and 120 psi with NOT more than 10 psi pressure difference between hot and cold.
  - Drain standpipe requires diameter of 1-1/4" min. and height of 33" min./96" max. above floor, capable of eliminating 17 gallons per minute. Attached 52" drain hose can reach 74"-high standpipe. For higher standpipe, optional Drain Hose Extension Kit available.
  - Gas supply line should be 1/2" pipe and MUST have individual shutoff valve.
  - Leveling legs supplied to level dryer properly and reduce excessive noise and vibration.
  - For manufactured or mobile home installation optional Mobile Home Installation Kit (PN# 137067200) required. (For specific installation details, refer to Product Installation Guide on web.)
- Note:** For planning purposes only. Refer to Product Installation Guide on the web at [frigidaire.com](http://frigidaire.com) for detailed instructions.

### Optional Accessories

- Mobile Home Installation Kit - (PN# 137067200).
- Drain Hose Extension Kit - (PN# 134592700).
- LP Gas Conversion Kit - (PN# PCK3001).
- Drying Rack - (PN# DRCL).



Specifications subject to change.

### FRIGIDAIRE

USA • 10200 David Taylor Drive • Charlotte, NC 28262 • 1-800-FRIGIDAIRE • [frigidaire.com](http://frigidaire.com)  
 CANADA • 5855 Terry Fox Way • Mississauga, ON L5V 3E4 • 1-800-265-8352 • [frigidaire.ca](http://frigidaire.ca)