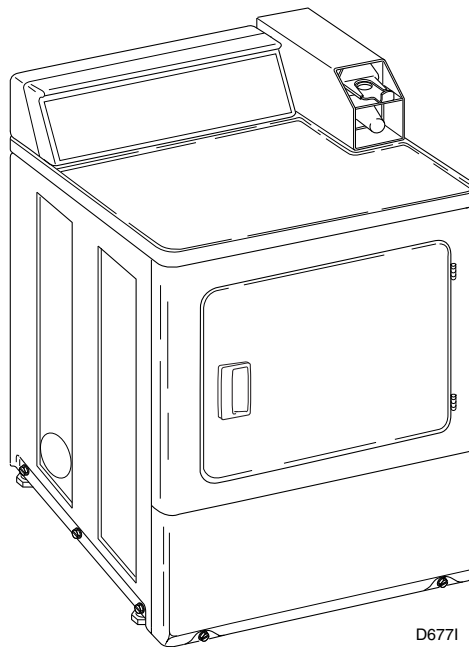


Clothes Dryer

Nonmetered and Metered
Electric and Gas Models



Installation/Operation

Keep These Instructions for Future Reference.

(If this machine changes ownership, this manual must accompany machine.)



www.comlaundry.com

Part No. 512680R5
September 2009



WARNING

FOR YOUR SAFETY, the information in this manual must be followed to minimize the risk of fire or explosion or to prevent property damage, personal injury or death.

W033

- Do not store or use gasoline or other flammable vapors and liquids in the vicinity of this or any other appliance.
- **WHAT TO DO IF YOU SMELL GAS:**
 - Do not try to light any appliance.
 - Do not touch any electrical switch; do not use any phone in your building.
 - Clear the room, building or area of all occupants.
 - Immediately call your gas supplier from a neighbor's phone. Follow the gas supplier's instructions.
 - If you cannot reach your gas supplier, call the fire department.
- Installation and service must be performed by a qualified installer, service agency or the gas supplier.

W052

IMPORTANT: Purchaser must consult the local gas supplier for suggested instructions to be followed if the unit user smells gas. The gas utility instructions plus the SAFETY and WARNING note directly above must be posted in a prominent location near the unit for customer use.



WARNING

- Installation of unit must be performed by a qualified installer.
- Install clothes dryer according to manufacturer's instructions and local codes.
- **DO NOT** install a clothes dryer with flexible plastic venting materials. If flexible metal (foil type) duct is installed, it must be of a specific type identified by the appliance manufacturer as suitable for use with clothes dryers. Refer to section on connecting exhaust system. Flexible venting materials are known to collapse, be easily crushed, and trap lint. These conditions will obstruct clothes dryer airflow and increase the risk of fire.

W729R1

FOR YOUR SAFETY

Do not store or use gasoline or other flammable vapors and liquids in the vicinity of this or any other appliance.

W053

The following information applies to the state of Massachusetts, USA.

- This appliance can only be installed by a Massachusetts licensed plumber or gas fitter.
- This appliance must be installed with a 36 inch (91 cm) long flexible gas connector.
- A "T-Handle" type gas shut-off valve must be installed in the gas supply line to this appliance.
- This appliance must not be installed in a bedroom or bathroom.

Table of Contents

| | |
|--|----|
| Safety Information | 4 |
| Explanation of Safety Messages..... | 4 |
| Important Safety Instructions | 4 |
| Installation | 6 |
| Dimensions | 6 |
| Nonmetered Models..... | 6 |
| Metered Models | 7 |
| Before You Start..... | 8 |
| Tools | 8 |
| Card Reader Models | 8 |
| Installing the Dryer | 9 |
| Step 1: Position and Level the Dryer | 9 |
| Step 2: Connect Dryer Exhaust System | 11 |
| Exhaust Direction..... | 12 |
| Exhaust System..... | 13 |
| Multi-Dryer Installation Exhaust Requirements..... | 14 |
| Step 3: (Gas Dryer Only) Connect Gas Supply Pipe | 16 |
| Step 4: (Electric Dryer Only) Connect Electrical Plug..... | 17 |
| Step 5: Reverse Door, if Desired | 23 |
| Step 6: Wipe Out Inside of Dryer | 24 |
| Step 7: Plug In the Dryer | 24 |
| Step 8: Recheck Steps 1-7..... | 26 |
| Step 9: Check Heat Source | 26 |
| Vending | 27 |
| Meter Case..... | 27 |
| Coin Slide Control | 27 |
| Power-Up Mode..... | 27 |
| Ready Mode | 27 |
| Start Mode..... | 27 |
| Run Mode..... | 27 |
| Door Open Mode | 27 |
| End of Cycle Mode | 27 |
| Topoffs | 27 |
| Temperature Selector Switch | 27 |
| Error Display Mode | 28 |
| Setting Dry Time Dipswitches..... | 28 |
| Models Through Serial No. 0908..... | 28 |
| Models Starting Serial No. 0909..... | 28 |
| All Models | 28 |
| Models Starting Serial No. 0909..... | 28 |
| Dipswitch Settings..... | 29 |
| Models Through Serial No. 0908..... | 30 |
| Models Through Serial No. 0909..... | 31 |
| Test Setting | 31 |
| Slide Extension | 32 |
| Additional Dryer Security..... | 34 |

© Copyright 2009, Alliance Laundry Systems LLC


All rights reserved. No part of the contents of this book may be reproduced or transmitted in any form or by any means without the expressed written consent of the publisher.


| | |
|---|------------|
| Operation | 35 |
| Operation Instructions for Nonmetered and Coin Slide Dryers | 35 |
| Step 1: Clean Lint Filter..... | 35 |
| Step 2: Load Laundry..... | 35 |
| Step 3: Close Loading Door..... | 35 |
| Step 4: Set Fabric Selector | 36 |
| Step 5: Start Dryer | 36 |
| Operation Instructions for Electronic Display Control Dryers..... | 37 |
| Step 1: Clean Lint Filter..... | 37 |
| Step 2: Load Laundry..... | 37 |
| Step 3: Close Loading Door..... | 37 |
| Step 4: Set Fabric Selector | 38 |
| Step 5: Insert Coin(s) or Card | 38 |
| Step 6: Start Dryer | 39 |
| Indicator Lights..... | 39 |
| Operation Instructions for MDC Dryers..... | 40 |
| Step 1: Clean Lint Filter..... | 40 |
| Step 2: Load Laundry..... | 40 |
| Step 3: Close Loading Door..... | 40 |
| Step 4: Set Fabric Selector | 41 |
| Step 5: Insert Coin(s) or Card | 41 |
| Step 6: Start Dryer | 41 |
| Indicator Lights..... | 41 |
| Operation Instructions for NetMaster Dryers | 42 |
| Step 1: Clean Lint Filter..... | 42 |
| Step 2: Load Laundry..... | 42 |
| Step 3: Close Loading Door..... | 42 |
| Step 4: Set Fabric Selector | 43 |
| Step 5: Insert Coin(s) or Card | 43 |
| Step 6: Start Dryer | 44 |
| Indicator Lights..... | 44 |
| Maintenance | 45 |
| Lubrication..... | 45 |
| Care of Your Dryer | 45 |
| Dryer Interior | 45 |
| Cabinet | 45 |
| Control Panel | 45 |
| Exhaust System..... | 45 |
| Lint Filter | 46 |
| Motor Overload Protector..... | 46 |
| For Energy Conservation..... | 46 |
| Troubleshooting | 47 |
| Contact Information | 48 |
| Installer Checklist | Back Cover |


Safety Information

Explanation of Safety Messages

Throughout this manual and on machine decals, you will find precautionary statements (“DANGER,” “WARNING,” and “CAUTION”) followed by specific instructions. These precautions are intended for the personal safety of the operator, user, servicer, and those maintaining the machine.

| | |
|--|---------------|
|  | DANGER |
| Indicates an imminently hazardous situation that, if not avoided, will cause severe personal injury or death. | |

| | |
|---|----------------|
|  | WARNING |
| Indicates a hazardous situation that, if not avoided, could cause severe personal injury or death. | |

| | |
|--|----------------|
|  | CAUTION |
| Indicates a hazardous situation that, if not avoided, may cause minor or moderate personal injury or property damage. | |


Additional precautionary statements (“IMPORTANT” and “NOTE”) are followed by specific instructions.

IMPORTANT: The word “IMPORTANT” is used to inform the reader of specific procedures where minor machine damage will occur if the procedure is not followed.

NOTE: The word “NOTE” is used to communicate installation, operation, maintenance or servicing information that is important but not hazard related.

Important Safety Instructions

Save These Instructions

| | |
|--|----------------|
|  | WARNING |
| To reduce the risk of fire, electric shock, or injury to persons when using your dryer, follow these basic precautions: | |
| <small>W034</small> | |

1. Read all instructions before using the dryer.
2. Refer to the GROUNDING INSTRUCTIONS in the INSTALLATION manual for the proper grounding of the dryer.
3. Do not dry articles that have been previously cleaned in, washed in, soaked in, or spotted with gasoline, dry-cleaning solvents, other flammable or explosive substances as they give off vapors that could ignite or explode.
4. Do not allow children to play on or in the dryer. Close supervision of children is necessary when the dryer is used near children. This is a safety rule for all appliances.
5. Before the dryer is removed from service or discarded, remove the door to the drying compartment.
6. Do not reach into the dryer if the cylinder is revolving.
7. Do not install or store the dryer where it will be exposed to water and/or weather.
8. Do not tamper with the controls.
9. Do not repair or replace any part of the dryer, or attempt any servicing unless specifically recommended in the user-maintenance instructions or in published user-repair instructions that you understand and have the skills to carry out.
10. Do not use fabric softeners or products to eliminate static unless recommended by the manufacturer of the fabric softener or product.
11. To reduce the risk of fire, DO NOT DRY plastics or articles containing foam rubber or similarly textured rubberlike materials.
12. ALWAYS clean the lint filter after every load. A layer of lint in the filter reduces drying efficiency and prolongs drying time.

13. Keep area around the exhaust opening and adjacent surrounding area free from the accumulation of lint, dust and dirt.
14. The interior of the dryer and the exhaust duct should be cleaned periodically by qualified service personnel.
15. If not installed, operated and maintained in accordance with the manufacturer's instructions or if there is damage to or mishandling of this product's components, use of this product could expose you to substances in the fuel or from fuel combustion which can cause death or serious illness and which are known to the State of California to cause cancer, birth defects or other reproductive harm.
16. Dryer will not operate with the loading door open. DO NOT bypass the door safety switch by permitting the dryer to operate with the door open. The dryer will stop tumbling when the door is opened. Do not use the dryer if it does not stop tumbling when the door is opened or starts tumbling without pressing the START mechanism. Remove the dryer from use and call the service person.
17. Do not put articles soiled with vegetable or cooking oil in the dryer, as these oils may not be removed during washing. Due to the remaining oil, the fabric may catch on fire by itself.
18. To reduce the risk of fire, DO NOT put clothes which have traces of any flammable substances such as machine oil, flammable chemicals, thinner, etc., or anything containing wax or chemicals such as in mops and cleaning cloths, or anything dry-cleaned at home with a dry-cleaning solvent in the dryer.
19. Use the dryer only for its intended purpose, drying clothes.
20. Always disconnect the electrical power to the dryer before attempting service. Disconnect the power cord by grasping the plug, not the cord.
21. If supply cord is damaged, it must be replaced by a special cord or assembly available from the manufacturer or its service agent.
22. Install this dryer according to the INSTALLATION INSTRUCTIONS. All connections for electrical power, grounding and gas supply must comply with local codes and be made by licensed personnel when required. Do not do it yourself unless you know how!
23. Remove laundry immediately after the dryer stops.
24. Always read and follow manufacturer's instructions on packages of laundry and cleaning aids. Heed all warnings or precautions. To reduce the risk of poisoning or chemical burns, keep them out of reach of children at all times (preferably in a locked cabinet).
25. Do not tumble fiberglass curtains and draperies unless the label says it can be done. If they are dried, wipe out the cylinder with a damp cloth to remove particles of fiberglass.
26. ALWAYS follow the fabric care instructions supplied by the garment manufacturer.
27. Never operate the dryer with any guards and/or panels removed.
28. DO NOT operate the dryer with missing or broken parts.
29. DO NOT bypass any safety devices.
30. Failure to install, maintain, and/or operate this machine according to the manufacturer's instructions may result in conditions which can produce bodily injury and/or property damage.

IMPORTANT: Solvent vapors from dry-cleaning machines create acids when drawn through the heater of the drying unit. These acids are corrosive to the dryer as well as to the laundry load being dried. Be sure make-up air is free of solvent vapors.

IMPORTANT: Have your dryer installed properly. Don't do it yourself unless you know how!

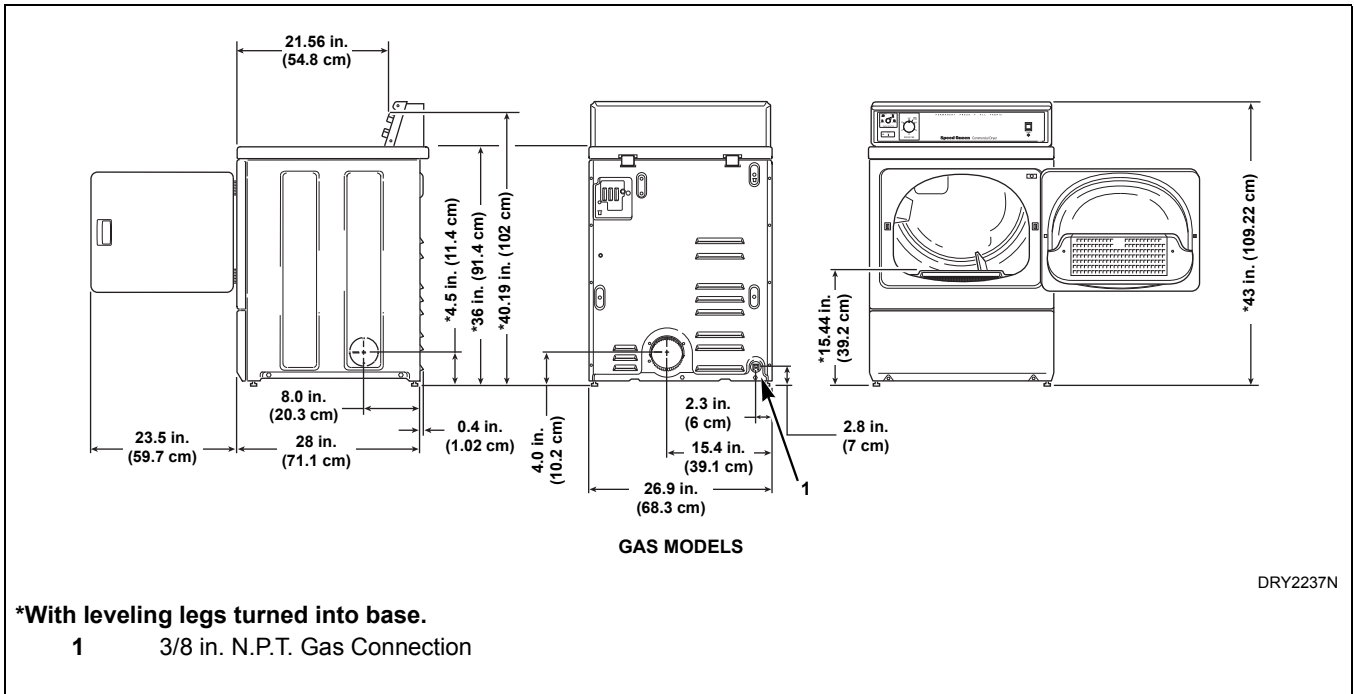
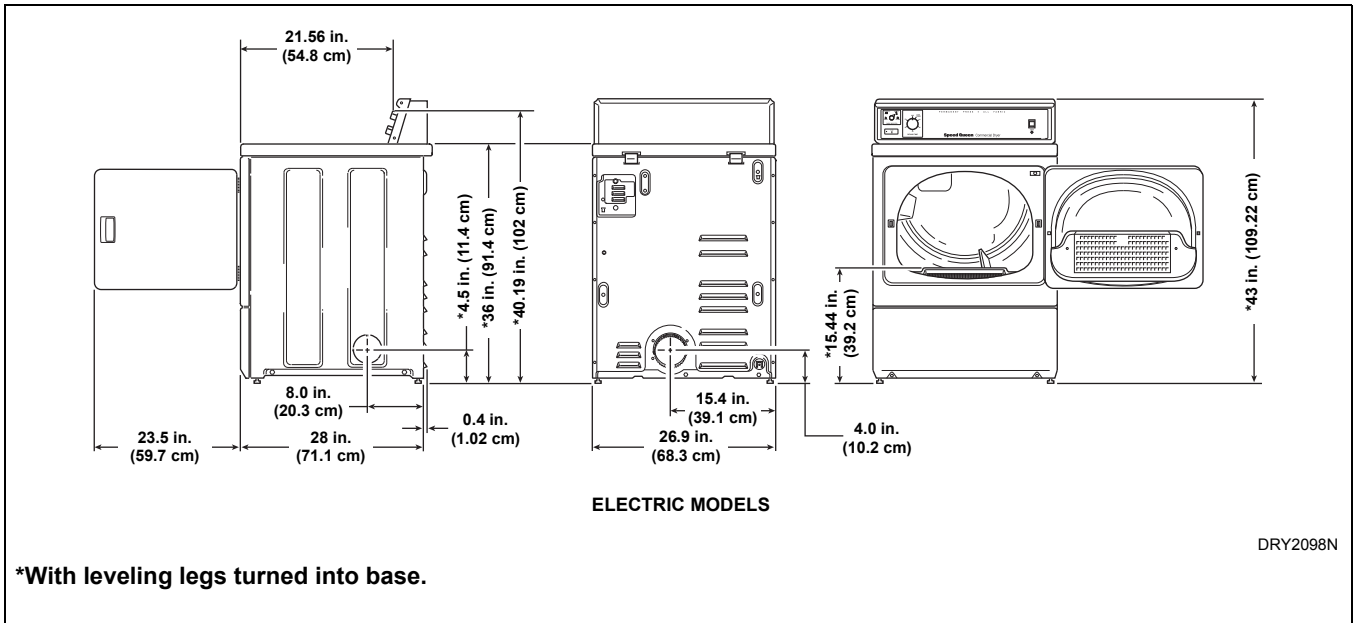
NOTE: The WARNING and IMPORTANT SAFETY INSTRUCTIONS appearing in this manual are not meant to cover all possible conditions and situations that may occur. Common sense, caution and care must be exercised when installing, maintaining, or operating the dryer.

Always contact your dealer, distributor, service agent or the manufacturer about any problems or conditions you do not understand.

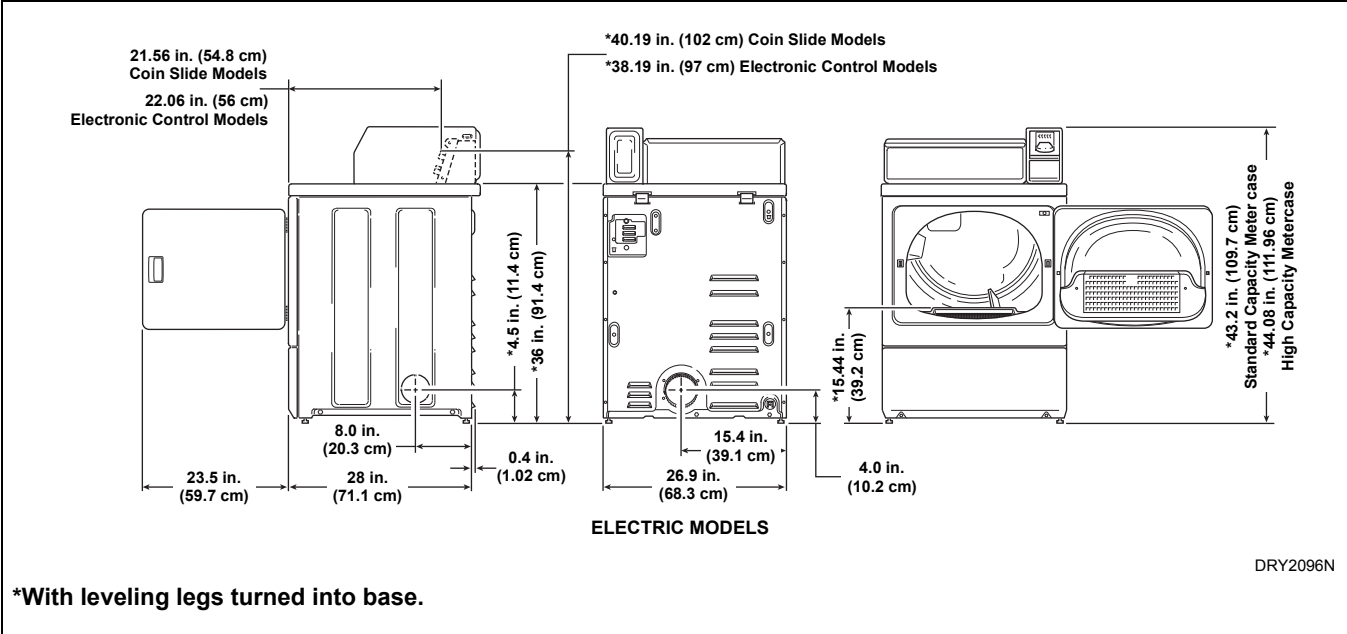
Installation

Dimensions

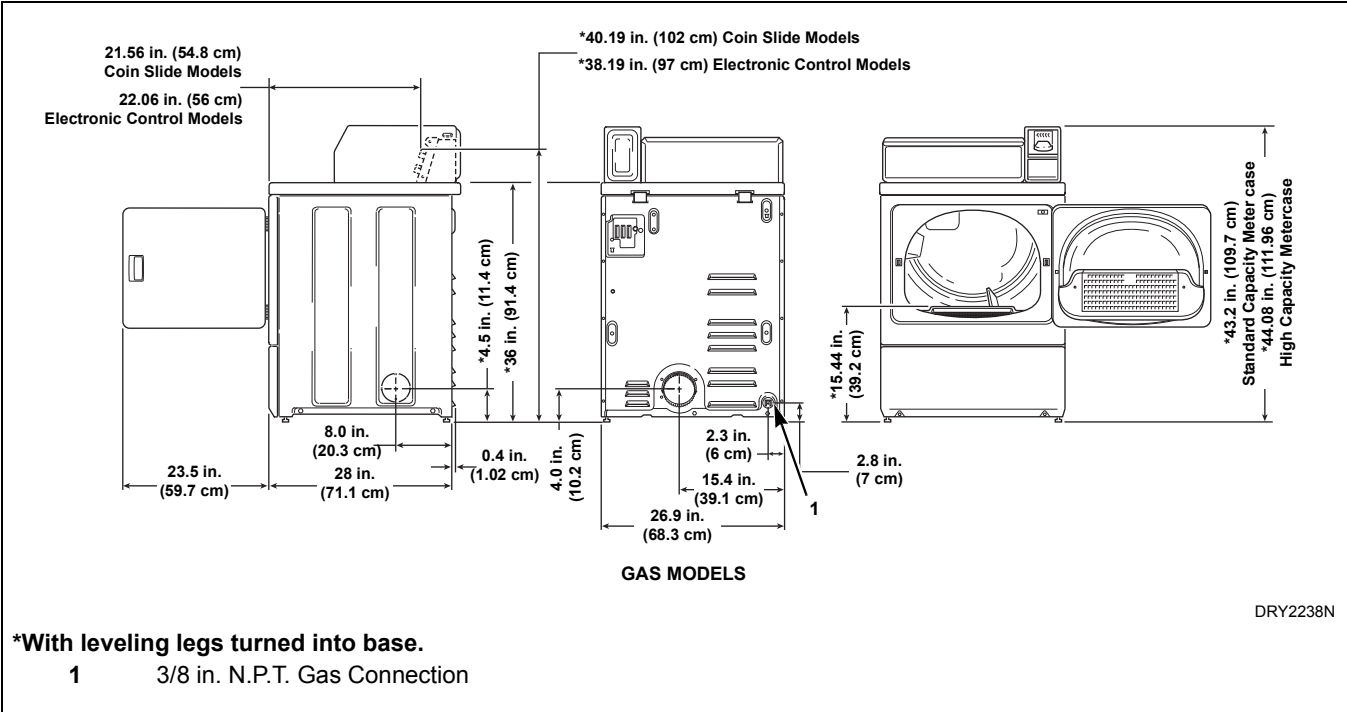
Nonmetered Models



Metered Models



*With leveling legs turned into base.



*With leveling legs turned into base.
1 3/8 in. N.P.T. Gas Connection

NOTE: Side, rear and bottom exhaust openings are 4 inch (10.2 cm) ducting. Gas models cannot be vented out left side of cabinet because of burner housing.

IMPORTANT: The dryer should have sufficient clearance around it for needed ventilation and for the ease of installation and servicing. For maximum drying performance, we recommend that more clearance be allowed around the dryer than the clearances that are listed throughout this manual.

Installation

Before You Start

Tools

For most installations, the basic tools you will need are:

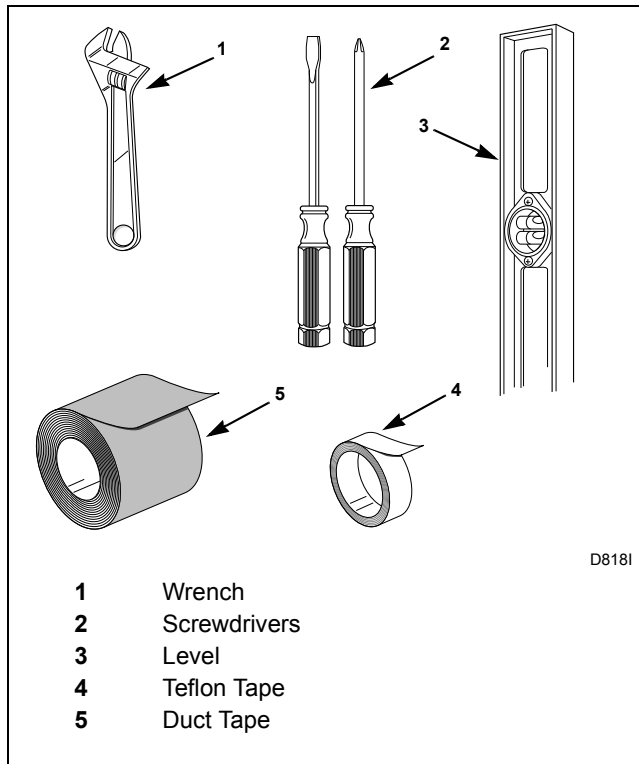


Figure 1

NOTE: An 8 in. (20.32 cm) coin drawer is required for coin operated MDC and NetMaster models with standard capacity meter case. MDC and NetMaster models with high capacity meter case require a 7.21 in. (18.31 cm) coin drawer.

Card Reader Models

The machine is shipped from the factory with the Electronic Control Diagnostic Harness Assembly unplugged. To avoid unauthorized manual programming or vending perform the following steps.

1. Open service door. Refer to *Figure 2*.
2. Locate diagnostic harness on electronic control.
3. Plug connectors for “white/black” wire and “red/blue” wire together.

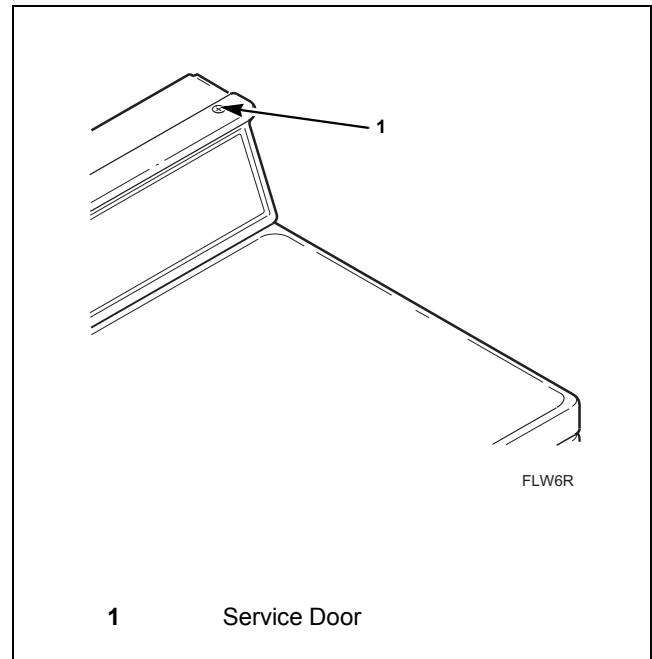


Figure 2

| | |
|---|----------------|
| | WARNING |
| Any disassembly requiring the use of tools must be performed by a suitably qualified service person. | |
| W299 | |

Installing the Dryer

Step 1: Position and Level the Dryer

Install dryer before washer. This allows room for attaching exhaust duct.

Install the four rubber feet (in accessories bag).

Select a location with a solid floor. Dryers installed in residential garages must be elevated 18 inches (46 cm) above the floor.

No other fuel burning appliance should be installed in the same closet with the dryer.

The dryer must not be installed or stored in an area where it will be exposed to water and/or weather.

The dryer needs sufficient clearance and an adequate air supply for proper operation and ventilation, and for easier installation and servicing. (Minimum clearances are shown in *Figure 4*).

Place the dryer in position, and adjust the legs until the dryer is level from side to side and front to back. Leveling legs can be adjusted from inside the dryer with a 1/4 in. driver. All four legs must rest firmly on the floor so the weight of the dryer is evenly distributed. The dryer must not rock.

IMPORTANT: In mobile home installations, gas dryers MUST be permanently attached to the floor at the time of installation. Order No. 526P3 Hold Down Kit (available at extra cost) for a manufactured (mobile) home installation. Follow the instructions supplied with the kit.

Installation of unit must conform to the Manufactured Home Construction and Safety Standards, Title 24 CF4, Part 32-80 or Standard CAN/CSA-Z240 MH.

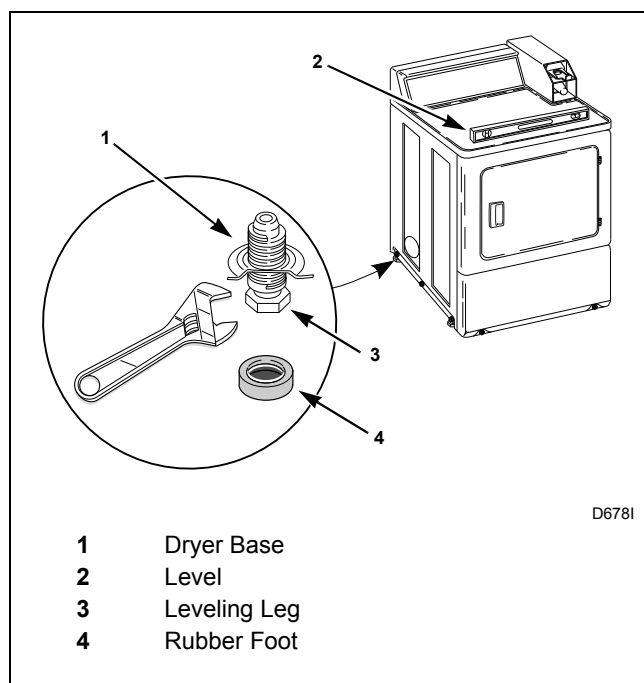


Figure 3

Installation

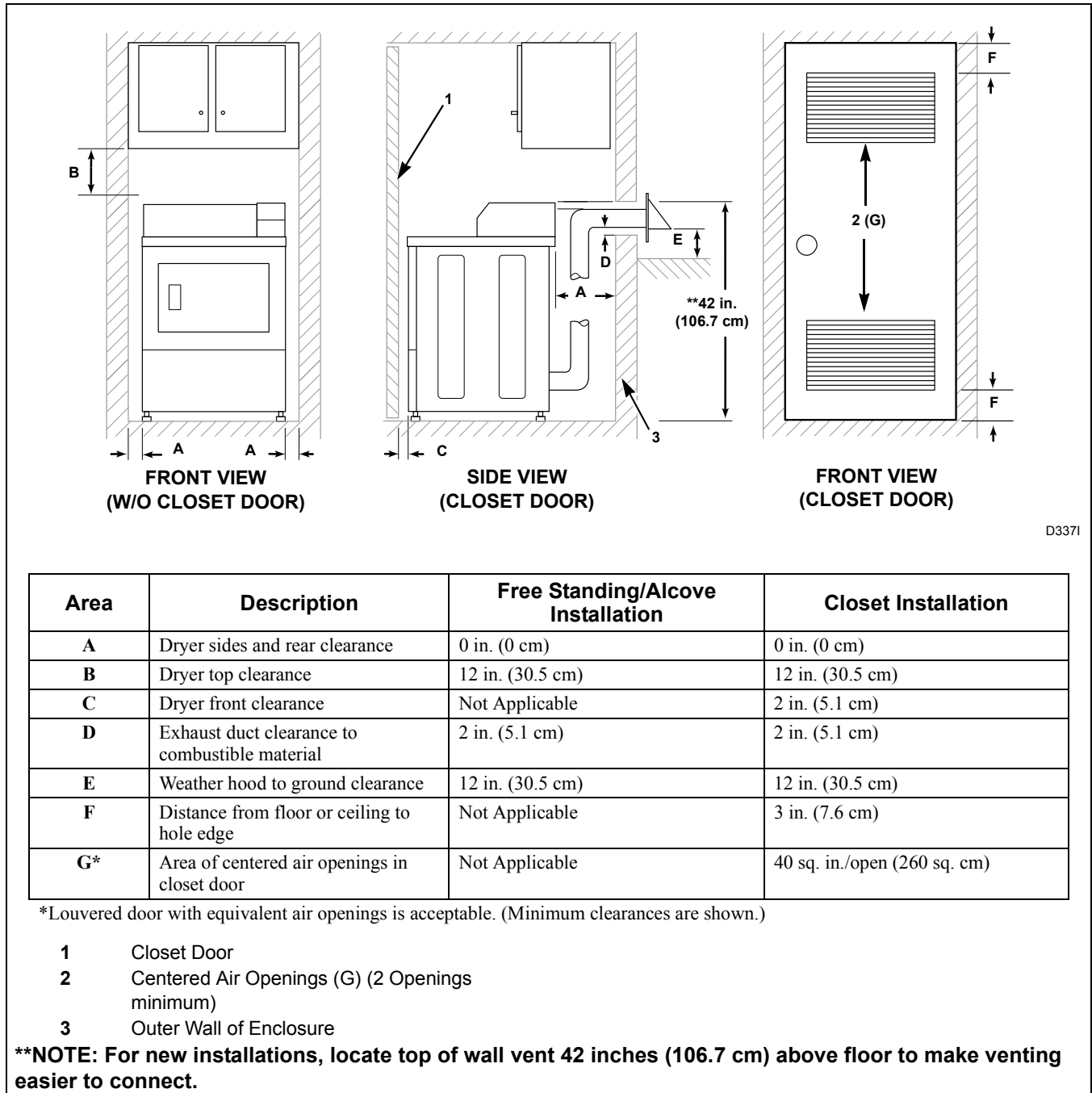





Figure 4

Step 2: Connect Dryer Exhaust System

| | |
|--|----------------|
|  | WARNING |
| <p>To reduce the risk of fire and combustion gas accumulation the dryer MUST be exhausted to the outdoors.</p> <p style="text-align: right;">W604</p> | |
| <p>To reduce the risk of fire and the accumulation of combustion gases, DO NOT exhaust dryer air into a window well, gas vent, chimney or enclosed, unventilated area, such as an attic, wall, ceiling, crawl space under a building or concealed space of a building.</p> <p style="text-align: right;">W045</p> | |

| | |
|---|----------------|
|  | WARNING |
| <p>This gas appliance contains or produces a chemical or chemicals which can cause death or serious illness and which are known to the State of California to cause cancer, birth defects, or other reproductive harm. To reduce the risk from substances in the fuel or from fuel combustion, make sure this appliance is installed, operated, and maintained according to the instructions in this manual.</p> <p style="text-align: right;">W115</p> | |
| <p>To reduce the risk of fire, DO NOT use plastic or thin foil ducting to exhaust the dryer.</p> <p style="text-align: right;">W354</p> | |
| <p>To reduce the risk of fire, the exhaust duct and weather hood MUST be fabricated of a material that will not support combustion. Rigid or flexible metal pipe is recommended for a clothes dryer.</p> <p style="text-align: right;">W048</p> | |

| | |
|--|----------------|
|  | WARNING |
| <p>To reduce the risk of fire due to increased static pressure, we do not recommend installation of in-line secondary lint filters or lint collectors. If secondary systems are mandated, frequently clean the system to assure safe operation.</p> <p style="text-align: right;">W749</p> | |

IMPORTANT: Installing in-line filters or lint collectors will cause increased static pressure. Failure to maintain the secondary lint system will decrease dryer efficiency and may void machine warranty.

- DO NOT use plastic or thin foil ducting. Rigid metal duct is recommended.

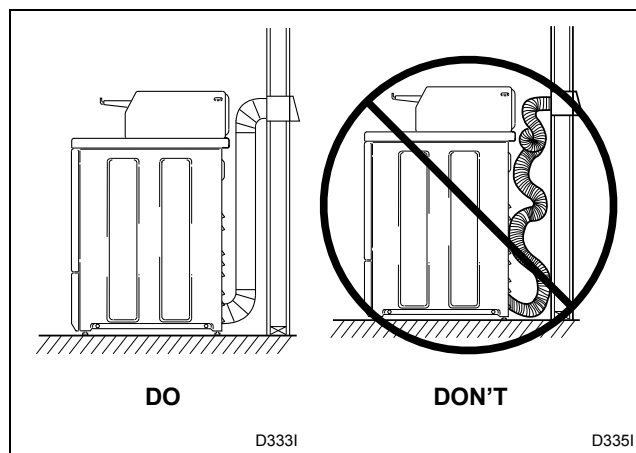


Figure 5

- Locate dryer so exhaust duct is as short as possible.
- Be certain old ducts are cleaned before installing your new dryer.
- Use 4 inch (102 mm) diameter rigid or flexible metal duct.
- The male end of each section of duct must point away from the dryer.
- Use as few elbows as possible.
- Use duct tape or pop-rivets on all duct joints. DO NOT use sheet metal screws or fasteners on exhaust pipe joints which extend into the duct and catch lint.
- Ductwork that runs through unheated areas must be insulated to help reduce condensation and lint build-up on pipe walls.
- Install backdraft dampers in multi-dryer installations.
- In mobile home installations, dryer exhaust duct must be secured to mobile home structure.
- Dryer exhaust duct **MUST NOT** terminate under mobile home.
- Dryer exhausts 220 cfm (measured at back of dryer).
- DO NOT install flexible duct in concealed spaces, such as a wall or ceiling.

Installation

- Static pressure in exhaust duct should not be greater than .6 inches water column (1.5 cm), measured with manometer placed on exhaust duct two feet (61 cm) from dryer (check with dryer running and no load). In multi-dryer installations, all dryers connected to the main collector duct should be operating when pressure is checked.
- Exhausting dryer in hard-to-reach locations can be done by installing 521P3 Flexible Metal Vent Kit (available as optional equipment at extra cost).
- Sufficient make-up air must be supplied to replace the air exhausted by the dryer. The free area of any opening for outside air must be at least 40 in² (260 cm²).
- Energy efficient buildings with low air infiltration rates should be equipped with an air exchanger that can accommodate on demand make-up air needs in the laundry room. These devices can be obtained through your building contractor or building material suppliers.

- Do not draw make-up air from a room containing a gas fired water heater, a dry cleaner or a hair salon.
- **Failure to exhaust dryer properly will void warranty.**

NOTE: Venting materials are not supplied with the dryer (obtain locally).

IMPORTANT: DO NOT block the airflow at the bottom of the dryer's front panel with laundry, rugs, etc. Blockage will decrease airflow through the dryer, thus reducing the efficiency of the dryer.

Exhaust Direction

The dryer can be exhausted to the outdoors through the back, left, right or bottom of the dryer. **EXCEPTION: Gas dryers cannot be vented out the left side because of the burner housing.**

Dryer is shipped from factory ready for rear exhaust.

Exhausting the dryer through sides or bottom can be accomplished by installing a Directional Exhaust Kit, 528P3, available as optional equipment at extra cost.

Exhaust System

For best drying results, recommended maximum length of exhaust system is shown in *Table 1*.

To prevent backdraft when dryer is not in operation, outer end of exhaust pipe must have a weather hood with hinged dampers (obtain locally).

NOTE: Weather hood should be installed at least **12 inches (30.5 cm)** above the ground. Larger clearances may be necessary for installations where heavy snowfall can occur.

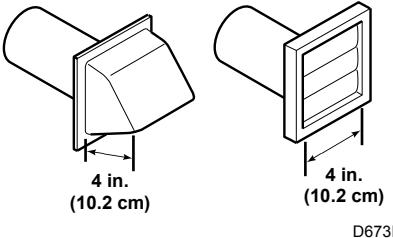
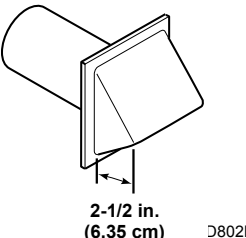
| Number of 90° Elbows | Weather Hood Type | |
|---|--|---|
| | Recommended | Use Only for Short Run Installations |
| |  <p>4 in. (10.2 cm)</p> <p>4 in. (10.2 cm)</p> <p>D6731</p> |  <p>2-1/2 in. (6.35 cm)</p> <p>D8021</p> |
| Maximum length of 4 in. (10.2 cm) diameter rigid metal duct. | | |
| 0 | 65 feet (19.8 m) | 55 feet (16.8 m) |
| 1 | 55 feet (16.8 m) | 47 feet (14.3 m) |
| 2 | 47 feet (14.3 m) | 41 feet (12.5 m) |
| 3 | 36 feet (11.0 m) | 30 feet (9.1 m) |
| 4 | 28 feet (8.5 m) | 22 feet (6.7 m) |
| NOTE: Deduct 6 feet (1.8 m) for each additional elbow. | | |

Table 1

NOTE: The maximum length of 4 in. (10.2 cm) diameter flexible metal duct must not exceed 7.87 feet (2.4 m) as required to meet UL2158, clause 7.3.2A.

Installation

Multi-Dryer Installation Exhaust Requirements

Figure 6 shows a typical example of a multiple dryer installation. Note how each dryer has its own exhaust system vented to the central exhaust duct.

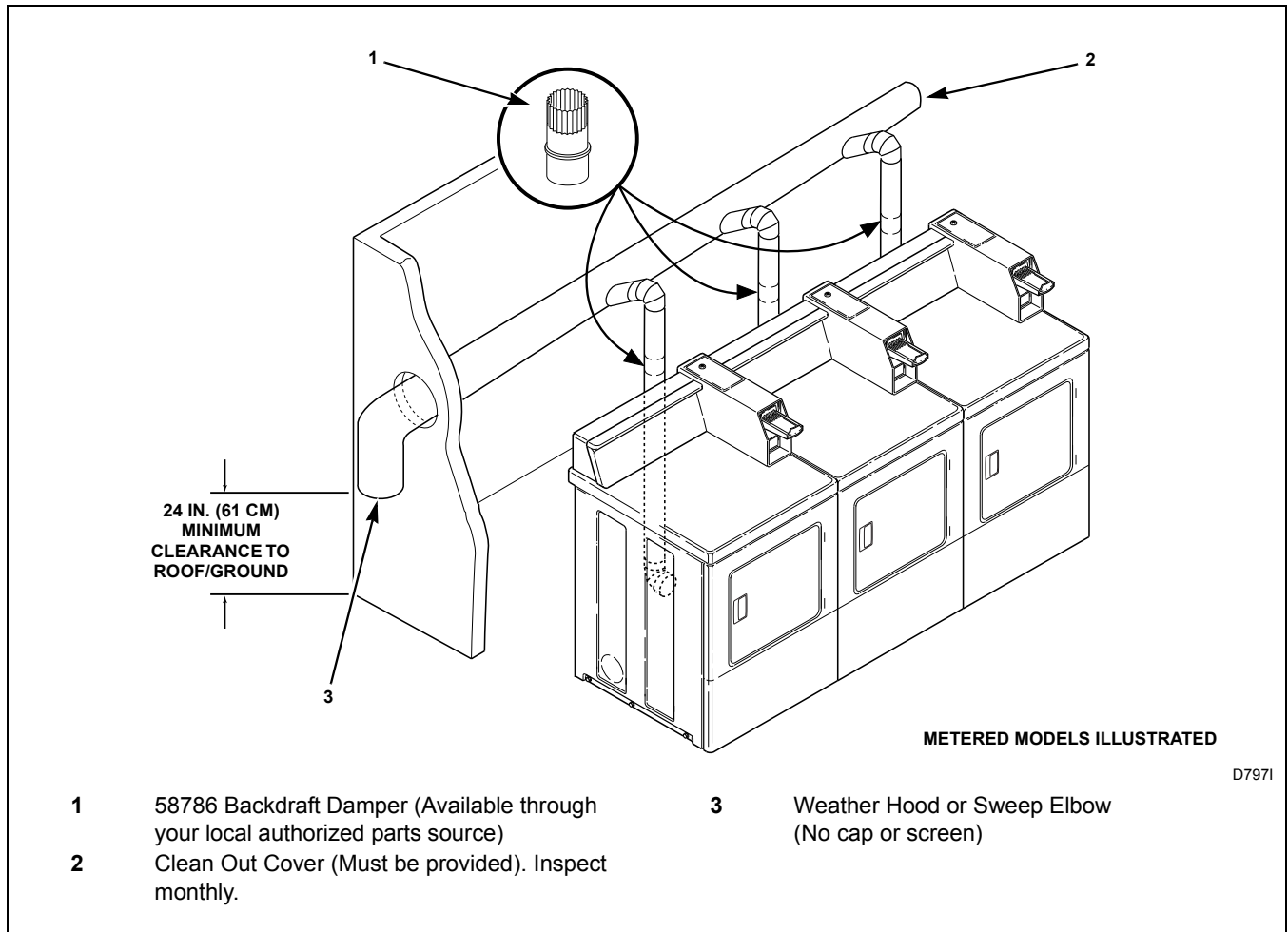


Figure 6

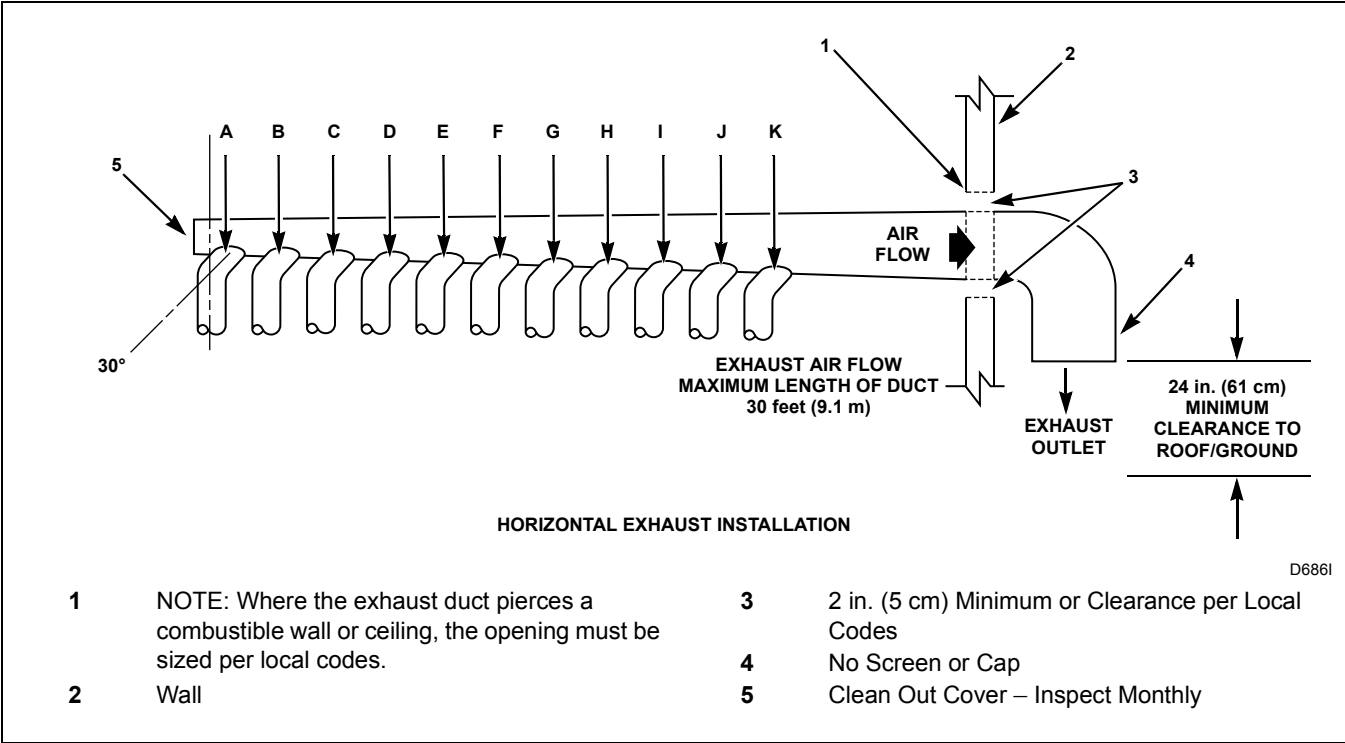


Figure 7

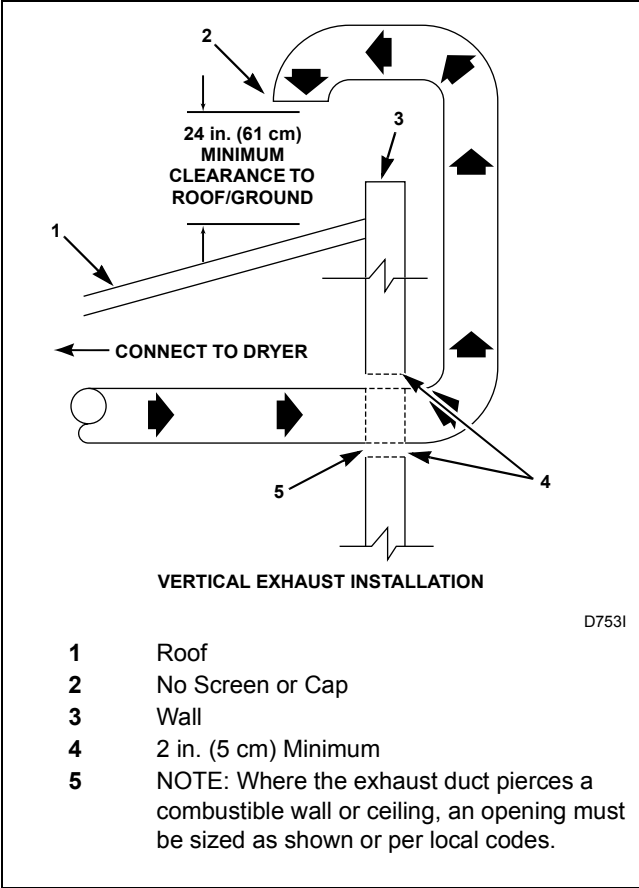


Figure 8

⚠

WARNING

To reduce the risk of fire and the accumulation of combustion gases, DO NOT exhaust dryer air into a window well, gas vent, chimney or enclosed, unventilated area, such as an attic, wall, ceiling, crawl space under a building or concealed space of a building.


W045

Installation

| Duct Station | Minimum Diameter of Collector Duct |
|--------------|------------------------------------|
| A | 4 inches (10.2 cm) |
| B | 8 inches (20.3 cm) |
| C | 9 inches (22.9 cm) |
| D | 10 inches (25.4 cm) |
| E | 11 inches (27.9 cm) |
| F | 12 inches (30.5 cm) |
| G | 13 inches (32.6 cm) |
| H | 14 inches (35.6 cm) |
| I | 15 inches (38.1 cm) |
| J | 15 inches (38.1 cm) |
| K | 16 inches (40.6 cm) |

A Backdraft Damper, Part No. 58786 (obtain locally), should be installed in a 4 inch (10.2 cm) diameter VERTICAL duct system. This will prevent a backdraft when dryer is not in use, and will keep the exhaust air in balance within the central exhaust system.

Step 3: (Gas Dryer Only) Connect Gas Supply Pipe

|  | WARNING |
|--|----------------|
| <p>To reduce the risk of gas leaks, fire or explosion:</p> <ul style="list-style-type: none"> • The dryer must be connected to the type of gas as shown on nameplate located in the door recess. • Use a new flexible stainless steel connector. • Use pipe joint compound insoluble in L.P. (Liquefied Petroleum) Gas, or Teflon tape, on all pipe threads. • Purge air and sediment from gas supply line before connecting it to the dryer. Before tightening the connection, purge remaining air from gas line to dryer until odor of gas is detected. This step is required to prevent gas valve contamination. • Do not use an open flame to check for gas leaks. Use a non-corrosive leak detection fluid. • Any disassembly requiring the use of tools must be performed by a suitably qualified service person. | |

W316

1. Make certain your dryer is equipped for use with the type of gas in your laundry room. Dryer is equipped at the factory for **Natural Gas** with a 3/8 inch NPT gas connection.

NOTE: The gas service to a gas dryer must conform with the local codes and ordinances, or in the absence of local codes and ordinances, with the latest edition of the National Fuel Gas Code ANSI Z223.1/NFPA 54 or the CAN/CSA-B149.1, Natural Gas and Propane Installation Code.

Natural Gas, 1000 Btu/ft³ (37.3 MJ/m³) service must be supplied at minimum 5.0 inch water column pressure to maximum 10.5 inch water column pressure.

For proper operation at altitudes above 2000 feet (610 m) the natural gas valve spud orifice size must be reduced to ensure complete combustion. Refer to *Table 2*.

| Natural Gas Altitude Adjustments | | | | | |
|---|----------|---------------------|---------------|-----------|--------------------|
| Altitude | | Orifice Size | | | Part Number |
| feet | m | # | inches | mm | |
| 2,000 | 610 | 41 | 0.0960 | 2.44 | 503776 |
| 3,000 | 915 | 42 | 0.0935 | 2.37 | 503777 |
| 5,500 | 1,680 | 43 | 0.0890 | 2.26 | 503778 |
| 7,000 | 2,135 | 44 | 0.0860 | 2.18 | 58719 |
| 9,000 | 2,745 | 45 | 0.0820 | 2.08 | 503779 |
| 10,500 | 3,200 | 46 | 0.0810 | 2.06 | 503780 |

Table 2

2. Remove the shipping cap from the gas connection at the rear of the dryer. Make sure you do not damage the pipe threads when removing the cap.
3. Connect to gas supply pipe.

NOTE: When connecting to a gas line, an equipment shut-off valve must be installed within 6 feet (1.8 m) of the dryer. An 1/8 in. NPT pipe plug must be installed as shown for checking inlet pressure. Refer to *Figure 9*.

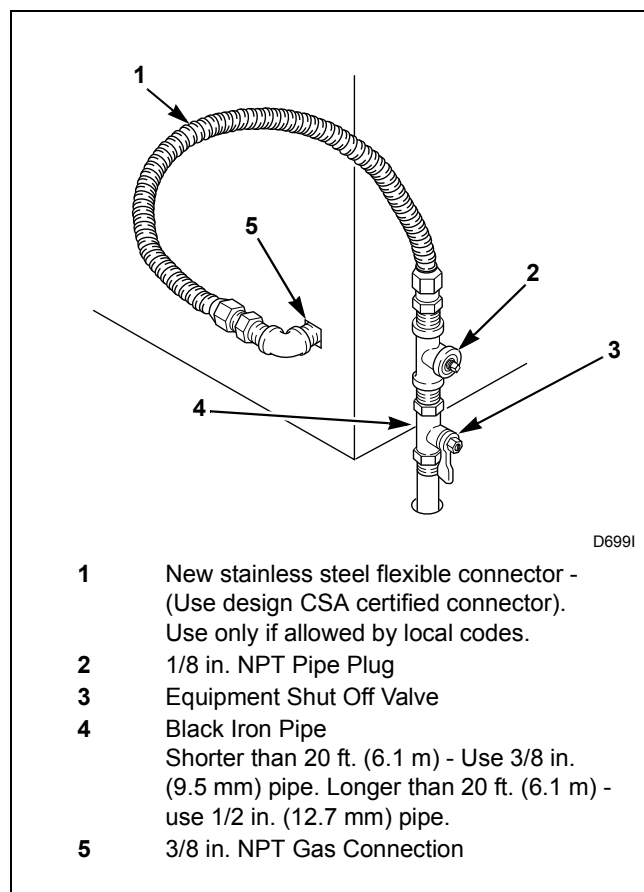


Figure 9

4. Tighten all connections securely. Turn on gas and check all pipe connections (internal & external) for gas leaks with a non-corrosive leak detection fluid.

NOTE: The dryer and its appliance main gas valve must be disconnected from the gas supply piping system during any pressure testing of that system at test pressures in excess of 1/2 psi (3.45 kPa). Refer to *Step 9 (Check Heat Source)*.

L.P. (Liquefied Petroleum) Gas, 2500 Btu/ft³ (93.1 MJ/m³) service must be supplied at 10 ± 1.5 inch water column pressure.

For proper operation at altitudes above 3500 feet (1070 m) the L.P. gas valve spud orifice size must be reduced to ensure complete combustion. Refer to *Table 3*.

| L.P. Altitude Adjustments | | | | | |
|---------------------------|------|--------------|--------|------|----------|
| Altitude | | Orifice Size | | | Part No. |
| feet | m | No. | inches | mm | |
| 3500 | 1070 | 54 | 0.0550 | 1.40 | 503785 |
| 7500 | 2290 | 55 | 0.0520 | 1.32 | 58755 |
| 11000 | 3355 | 56 | 0.0465 | 1.18 | 503786 |

Table 3

NOTE: DO NOT connect the dryer to L.P. Gas Service without converting the gas valve. Install L.P. Gas Conversion Kit 458P3, available at extra cost.

Step 4: (Electric Dryer Only) Connect Electrical Plug

Dryer requires 120/240 Volt or 120/208 Volt, 60 Hertz, 3 or 4 wire electrical supply. Refer to serial plate for specific electrical requirements.


NOTE: The wiring diagram is located inside the control hood.

| | |
|--|----------------|
| | WARNING |
| <p>To reduce the risk of fire, electric shock, serious injury or death, all wiring and grounding MUST conform with the latest edition of the National Electrical Code, ANSI/NFPA 70, or the Canadian Electrical Code, CSA C22.1, and such local regulations as might apply. It is the customer's responsibility to have the wiring and fuses installed by a qualified electrician to make sure adequate electrical power is available to the dryer.</p> | |
| W521 | |

Installation

Grounding Information

This appliance must be grounded. In the event of malfunction or breakdown, grounding will reduce the risk of electric shock by providing a path of least resistance for electric current. The cord-kit must be equipped with a cord having an equipment-grounding conductor and a grounding plug. The plug must be plugged into an appropriate outlet that is properly installed and grounded in accordance with all local codes and ordinances.

| | |
|--|----------------|
|  | WARNING |
| Improper connection of the equipment-grounding conductor can result in a risk of electric shock. Check with a qualified electrician or service person if you are in doubt as to whether the dryer is properly grounded. | |
| W038 | |

Do not modify the plug provided with the cord-kit - if it will not fit the outlet, have a proper outlet installed by a qualified electrician.

The dryer has its own terminal block that must be connected to a separate branch, 60 Hertz, single phase circuit, AC (alternating current) circuit, **fused at 30 Amperes** (the circuit must be fused on both sides of the line). **Electrical service for the dryer should be of maximum rated voltage (208 or 240 Volt, depending on heating element) listed on the nameplate. Do not connect dryer to 110, 115, or 120 Volt circuit.**

Heating elements are available for field installation in dryers which are to be connected to electrical service of different voltage than that listed on nameplate, such as 208 Volt.

NOTE: Branch circuit wire size requirements to laundry room outlet are shown in *Table 4*.

| Wire Length | Wire |
|----------------------------|------------------------------------|
| Less than 15 ft. (4.5 m) | Listed No. 10 AWG Copper wire only |
| Longer than 15 ft. (4.5 m) | Listed No. 8 AWG Copper wire only |

Table 4

The power cord connection between wall receptacle and dryer terminal block **IS NOT supplied with dryer**. Type of power cord and gauge of wire must conform to local codes.

IMPORTANT: Use only a new U.L. listed No. 10 (copper wire only) three or four conductor power supply cord kit rated 240 Volts (minimum) 30 Amperes and labeled as suitable for use in a clothes dryer.

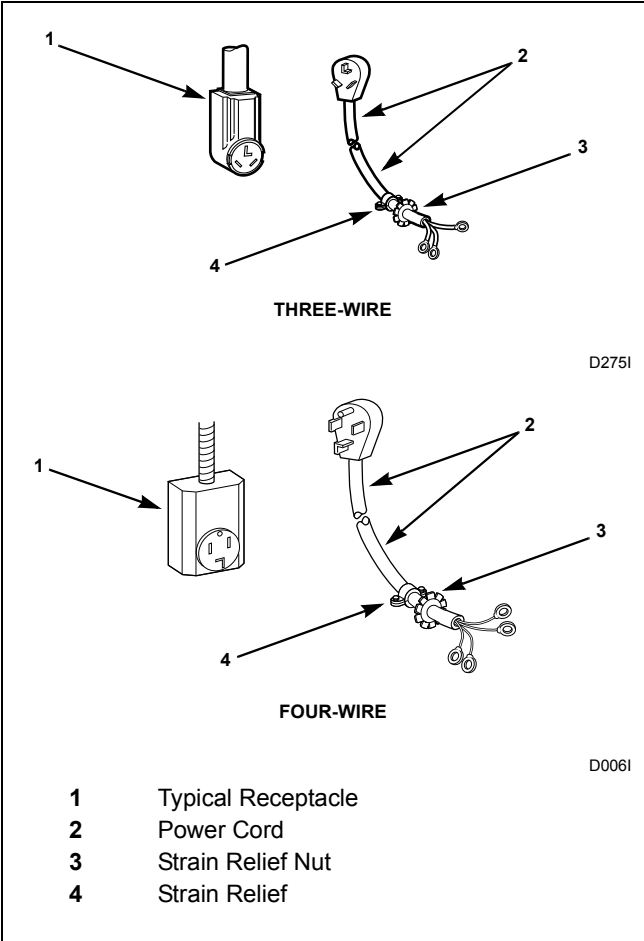


Figure 10

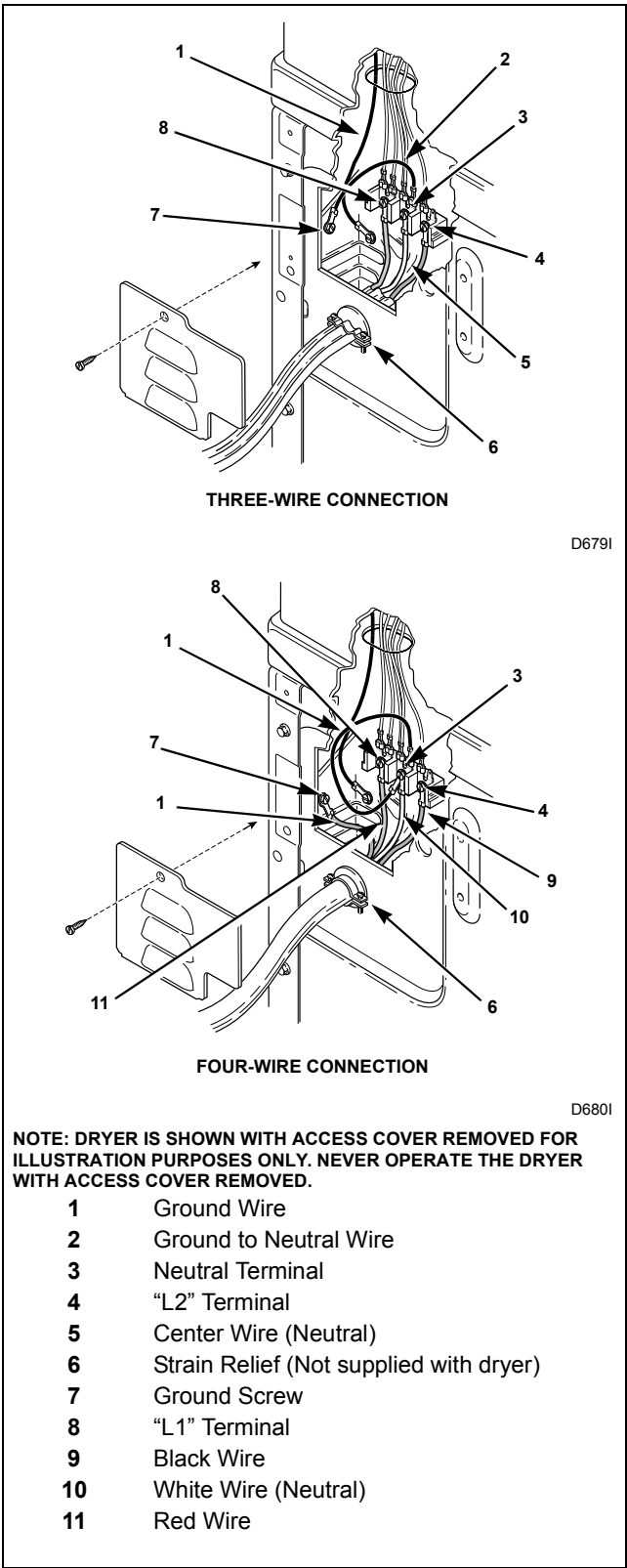


Figure 11

Installation

Connecting Power Cord with Three-Wire Plug

NOTE: Four-wire cord is required for new branch-circuit installations, mobile homes or where codes do not permit grounding through neutral.

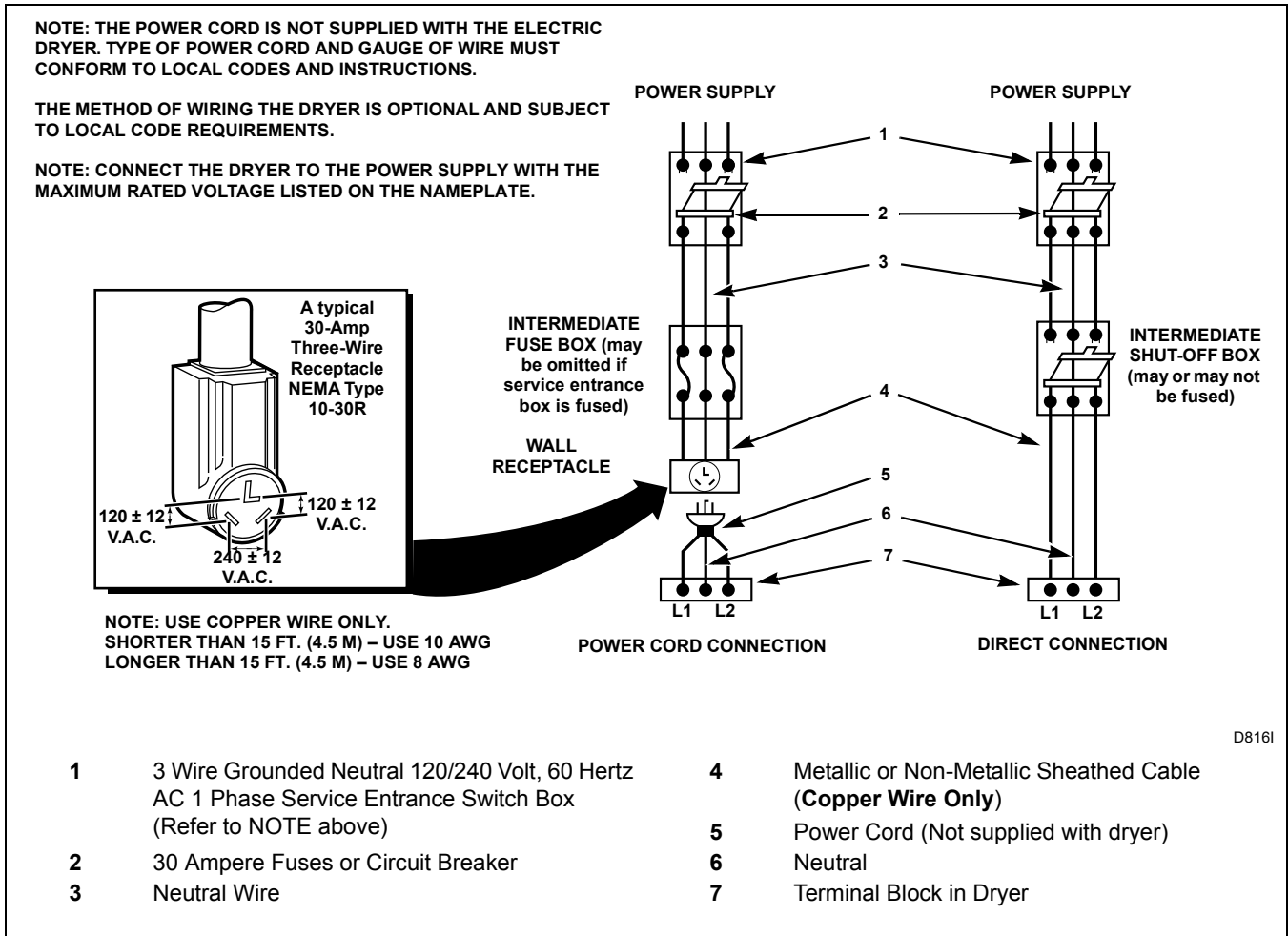


Figure 12

1. Disconnect power to dryer.
2. Remove access cover from rear of dryer.
3. Use a strain relief and insert end of power cord through power supply hole.

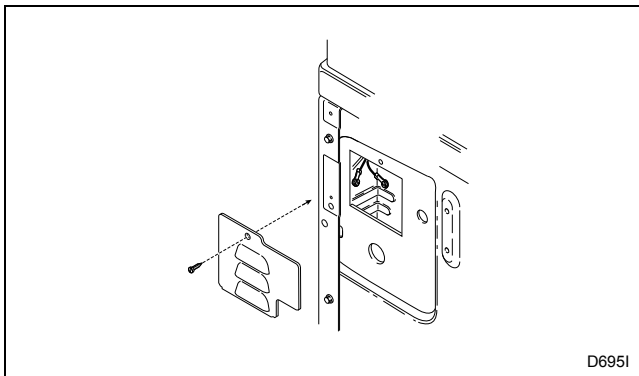


Figure 13

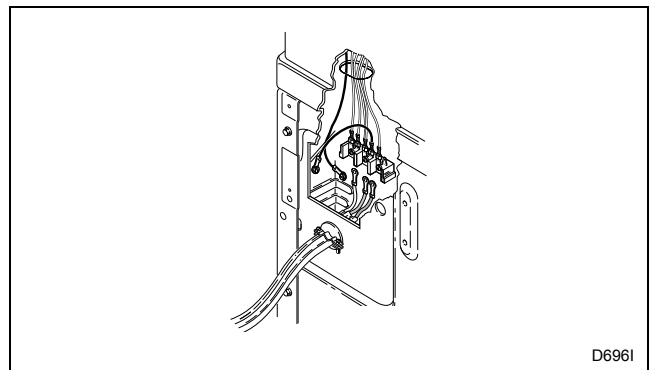


Figure 14

- Use the three screws from the accessories bag to attach the power cord wires to the terminal block. Refer to *Figure 15*.

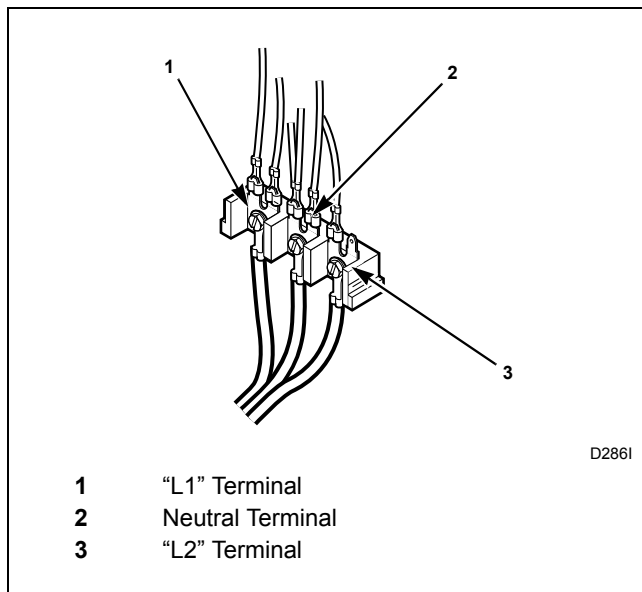


Figure 15

- Tighten all screws firmly.

IMPORTANT: Failure to tighten these screws firmly may result in wire failure at the terminal block.

- Secure the strain relief to the power cord, or wires, where they enter the dryer cabinet.
- Check the continuity of the ground connection before plugging the cord into an outlet. Use an acceptable indicating device connected to the center grounding pin of the plug and the green screw on the back of the cabinet.
- Reinstall access cover and screw.

Connecting Power Cord with Four-Wire Plug

NOTE: Four-wire cord is required for new branch-circuit installations, mobile homes or where codes do not permit grounding through neutral.

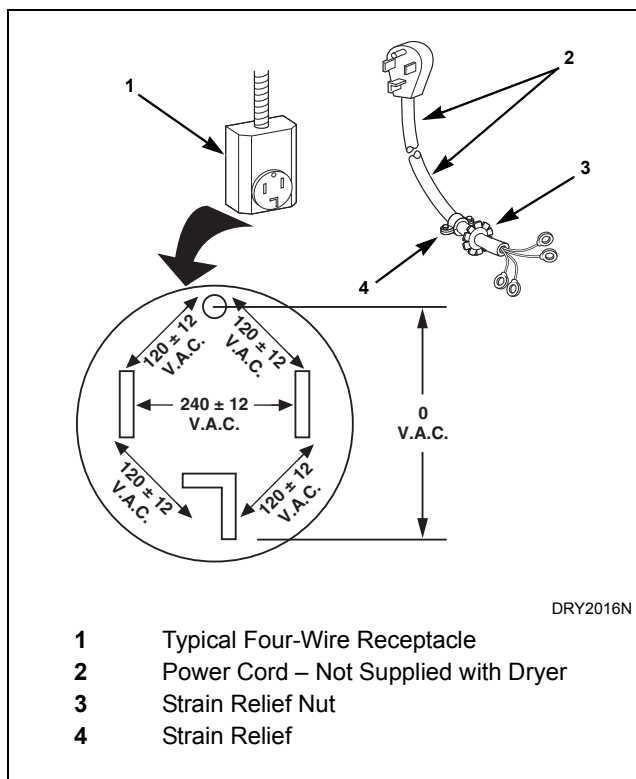


Figure 16

Installation

1. Disconnect power to dryer.
2. Remove access cover from rear of dryer.

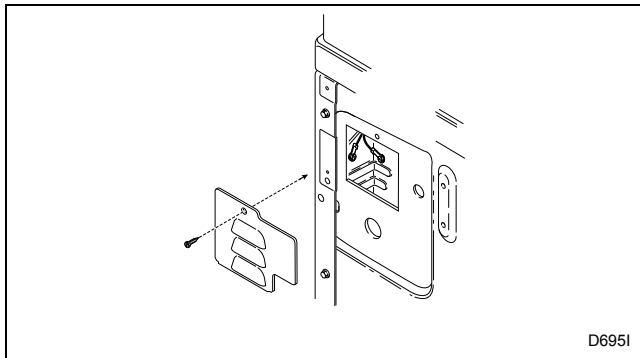


Figure 17

3. Remove ground screw and save for use in Step 5. Remove wire and use in Step 6.

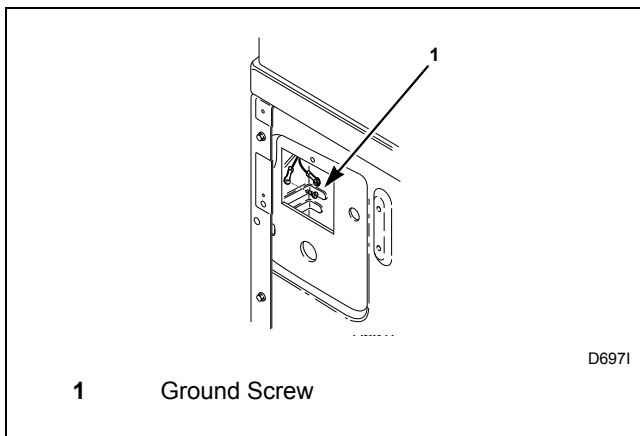


Figure 18

4. Use a strain relief and insert end of power cord through power supply hole.

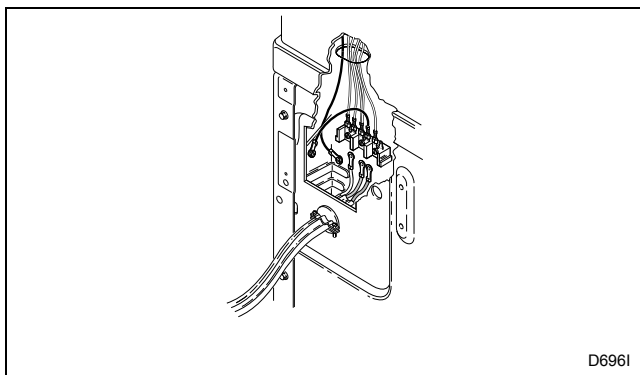


Figure 19

5. Attach power cord ground (green) wire to rear bulkhead using ground screw removed in Step 3.

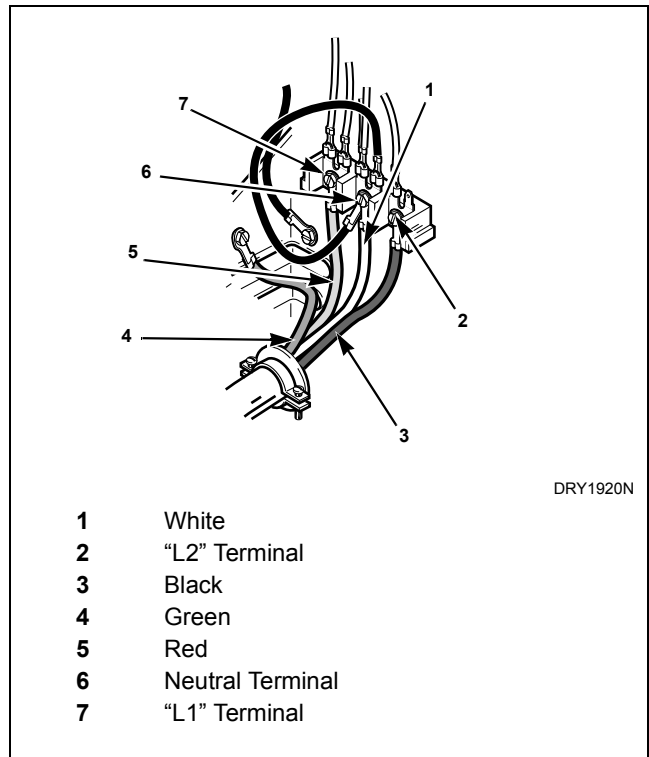


Figure 20

6. Use the three screws from the accessories bag to attach the remaining power cord wires to the terminal block as follows:
 - a. Red wire to "L1" terminal.
 - b. Black wire to "L2" terminal.
 - c. White wire to neutral terminal.

NOTE: When installing the white wire, loop the free eyelet end of the ground wire (removed in Step 3) and attach along with the white wire to the neutral (center) terminal on the terminal block.

7. Tighten all screws firmly.

IMPORTANT: Failure to tighten these screws firmly may result in wire failure at the terminal block.

8. Secure the strain relief to the power cord, or wires, where they enter the dryer cabinet.
9. Check the continuity of the ground connection before plugging the cord into an outlet. Use an acceptable indicating device connected to the center grounding pin of the plug and the green screw on the back of the cabinet.
10. Reinstall access cover and screw.

Step 5: Reverse Door, if Desired

The door on this dryer is completely reversible. To reverse door proceed as follows:

1. Remove four hinge attaching screws.

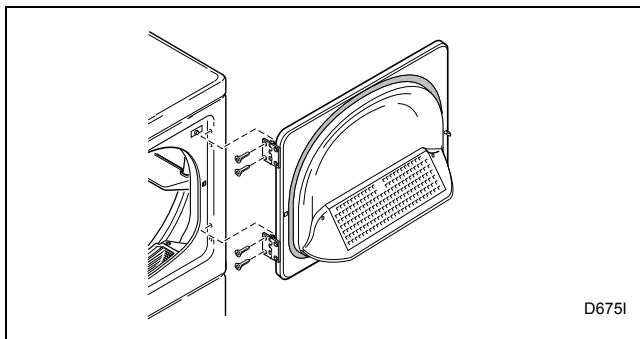


Figure 21

2. Remove all nine screws.

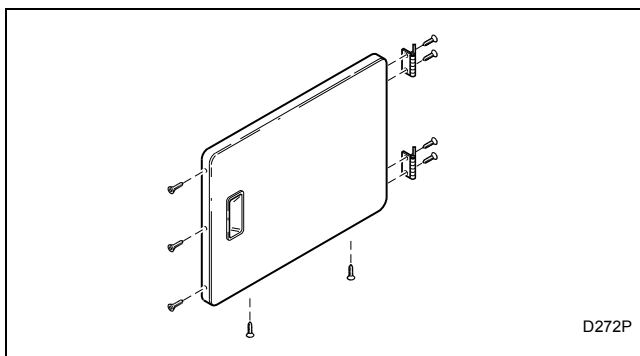


Figure 22

3. Pull bottom of door liner out, then pull down, removing door liner from door panel.

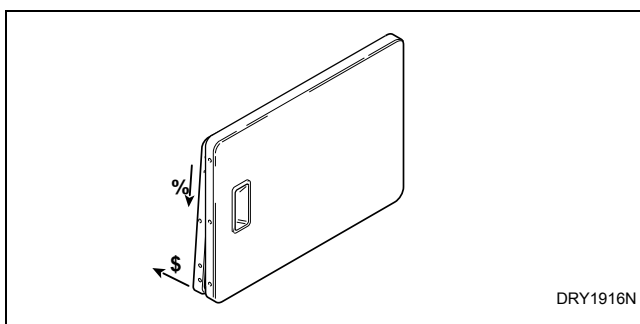


Figure 23

4. Rotate door panel 180 degrees as shown.

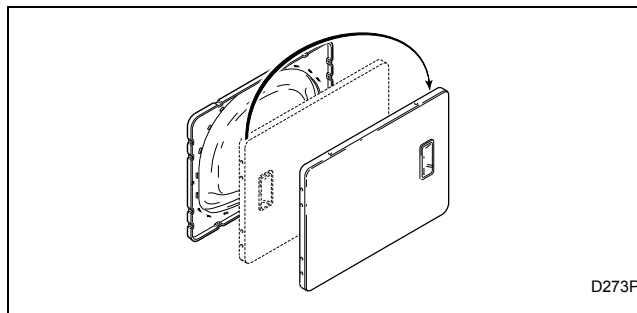


Figure 24

5. Remove door strike from door liner and reinstall on opposite side.

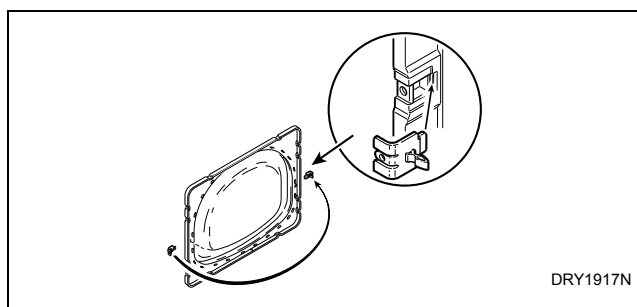


Figure 25

6. Insert liner under flange on bottom of door, then push top of door liner into place.

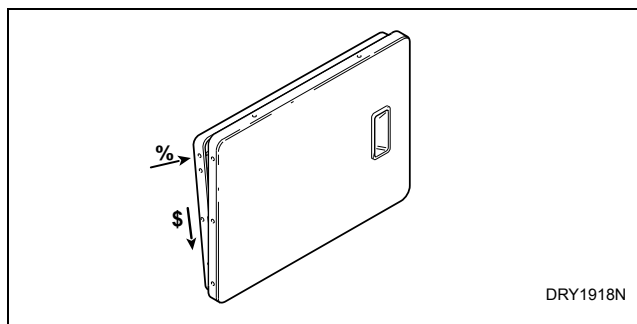


Figure 26

7. Reinstall nine screws removed in Step 2.

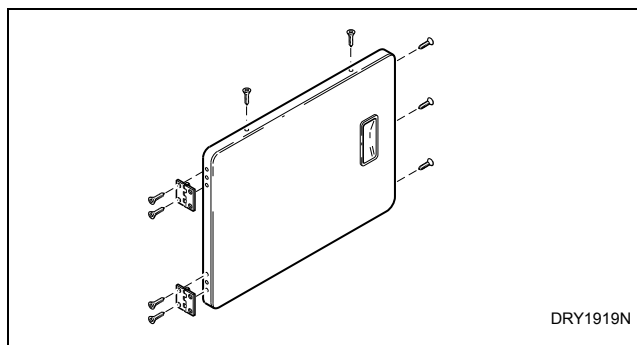


Figure 27

Installation

- Using screwdriver, remove two door plugs, and reinstall on opposite side of door opening.

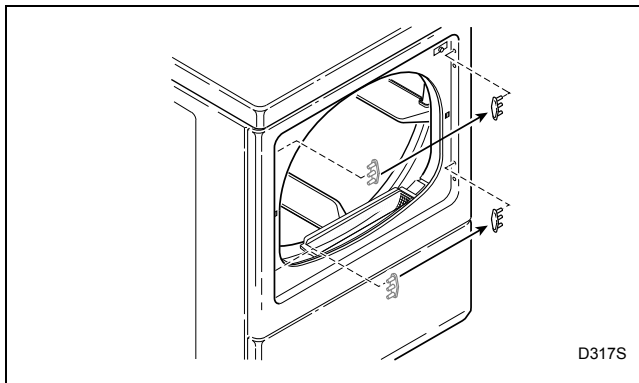


Figure 28

- Reinstall four hinge attaching screws, removed in Step 1.

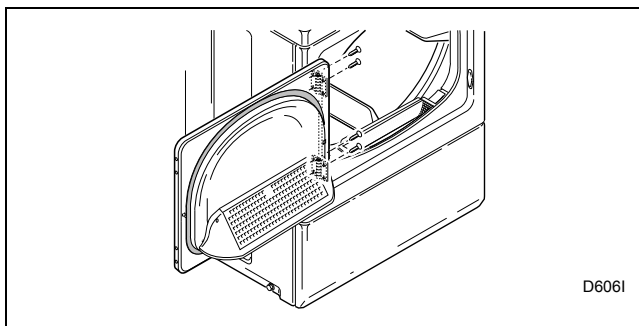


Figure 29

Step 6: Wipe Out Inside of Dryer

Before using dryer for the first time, use an all-purpose cleaner, or a detergent and water solution, and a damp cloth to remove shipping dust from inside dryer drum.

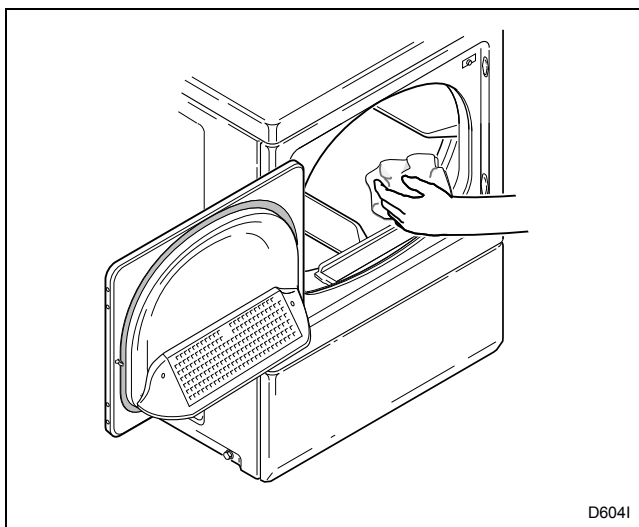


Figure 30

Step 7: Plug In the Dryer

Electric Dryer

Connect the dryer to an electrical power source. Refer to Step 4 for information on connecting power cord.

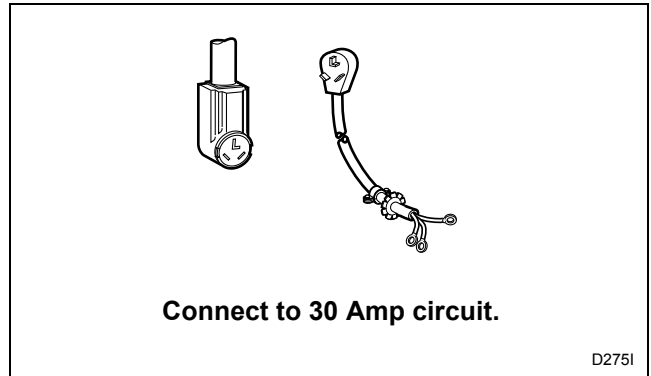



Figure 31

Gas Dryer

Dryer requires 120 Volt, 60 Hertz electrical supply and comes equipped with a 3-prong grounding plug. Refer to serial plate for specific electrical requirements.

NOTE: The wiring diagram is located inside the control hood.

| | |
|--|----------------|
|  | WARNING |
| <p>To reduce the risk of fire, electric shock, serious injury or death, all wiring and grounding MUST conform with the latest edition of the National Electrical Code, ANSI/NFPA 70, or the Canadian Electrical Code, CSA C22.1, and such local regulations as might apply. It is the customer's responsibility to have the wiring and fuses installed by a qualified electrician to make sure adequate electrical power is available to the dryer.</p> | |
| <small>W521</small> | |

When plugging in the dryer:

- Do not overload circuits.
- Do not use an adapter.
- Do not use an extension cord.
- Do not operate both a washer and gas dryer on the same circuit. Use separately fused 15 amp circuits.

The dryer is designed to be operated on a separate branch, polarized, three-wire, effectively grounded, 120 Volt, 60 Hertz, AC (alternating current) circuit protected by a **15 Ampere fuse**, equivalent fusetrone or circuit breaker.

The three-prong grounding plug on the power cord should be plugged directly into a polarized three-slot effectively grounded receptacle rated 120 Volts AC (alternating current) 15 Amps. Refer to *Figure 32* to determine correct polarity of the wall receptacle.

Grounding Information

The dryer must be grounded. In the event of malfunction or breakdown, grounding will reduce the risk of electric shock by providing a path of least resistance for electric current. The dryer is equipped with a cord having an equipment-grounding conductor and a 3 prong grounding plug. The three-prong grounding plug on the power cord should be plugged directly into a polarized three-slot effectively grounded receptacle rated 110/120 Volts AC (alternating current) 15 Amps.

Do not operate other appliances on the same circuit when this appliance is operating.

| | |
|--|----------------|
| | WARNING |
| <p>To reduce the risk of an electric shock or fire, DO NOT use an extension cord or an adapter to connect the dryer to the electrical power source.</p> | |
| W037 | |

| | |
|--|----------------|
| | WARNING |
| <p>This dryer is equipped with a three-prong (grounding) plug for your protection against shock hazard and should be plugged directly into a properly grounded three-prong receptacle. Do not cut or remove the grounding prong from this plug.</p> | |
| W036 | |

| | |
|---|----------------|
| | WARNING |
| <p>Improper connection of the equipment-grounding conductor can result in a risk of electric shock. Check with a qualified electrician or service person if you are in doubt as to whether the dryer is properly grounded.</p> | |
| W038 | |

Do not modify the plug provided with the dryer – if it will not fit the outlet, have a proper outlet installed by a qualified electrician.

NOTE: Have a qualified electrician check the polarity of the wall receptacle. If a voltage reading is measured other than that illustrated, the qualified electrician should correct the problem.

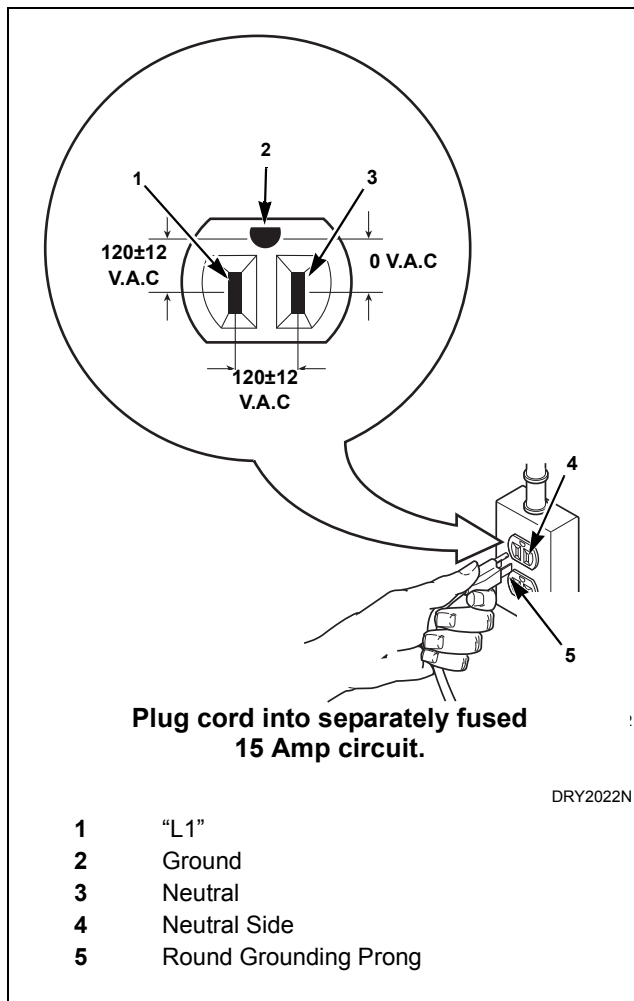


Figure 32

Installation

Step 8: Recheck Steps 1-7

Refer to *Installer Checklist* on the back cover of this manual and make sure that dryer is installed correctly.

Step 9: Check Heat Source

Electric Dryers

Close the loading door and start the dryer in a heat setting (refer to the *Operation* section). After the dryer has operated for three minutes, the exhaust air or exhaust pipe should be warm.

Gas Dryers

IMPORTANT: This operation is to be conducted by qualified personnel only.

To view the burner flame, remove the lower front panel of the dryer.


Close the loading door, start the dryer in a heat setting (refer to the *Operation* section). The dryer will start, the igniter will glow red and the main burner will ignite.

IMPORTANT: If all air is not purged out of gas line, gas igniter may go off before gas is ignited. If this happens, after approximately two minutes igniter will again attempt gas ignition.

IMPORTANT: If igniter does not light, make sure gas is turned on.

After the dryer has operated for approximately five minutes, observe burner flame through lower front panel. Adjust the air shutter to obtain a soft, uniform blue flame. (A lazy, yellow-tipped flame indicates lack of air. A harsh, roaring, very blue flame indicates too much air.) Adjust the air shutter as follows:

1. Loosen the air shutter lockscrew.
2. Turn the air shutter to the left to get a luminous yellow-tipped flame, then turn it back slowly to the right to obtain a steady, soft blue flame.
3. After the air shutter is adjusted for proper flame, tighten the air shutter lockscrew securely.
4. Reinstall the lower front panel.

| | |
|---|----------------|
|  | WARNING |
| For personal safety, lower front panel must be in place during normal operation. | |
| W046 | |

After the dryer has operated for approximately three minutes, exhaust air or exhaust pipe should be warm.

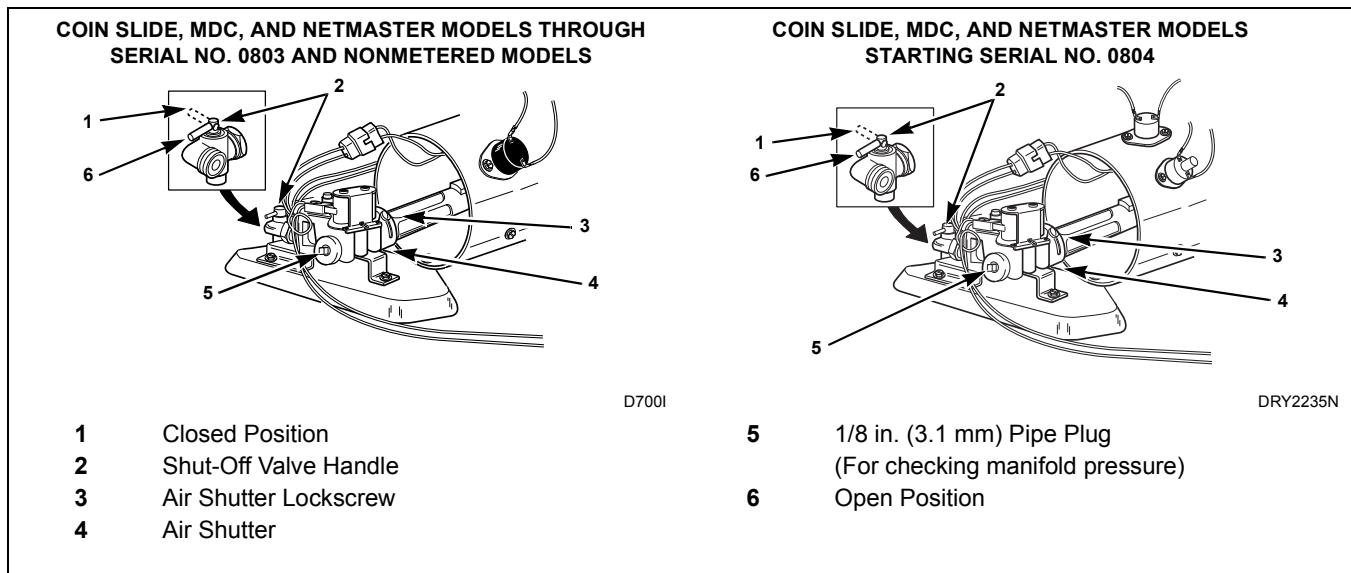


Figure 33

Vending

Meter Case

(Metered Models)

The factory mounted coin meter case does not include the service door lock, coin drawer, coin drawer lock and keys. These parts must be ordered (at extra cost) according to the purchaser's requirements direct from the manufacturer of your choice.

NOTE: On models with standard capacity metercase, you have the option of using a screw type lock or a 1/4 turn lock on the meter case service door. If you choose to use a screw lock, then the special bracket (located inside the meter case) must be used. DO NOT use the special bracket if a 1/4 turn lock is used. Models with high capacity metercase use 1/4 turn lock only.

Coin Drawer Security (Models with standard capacity metercase only) – for additional security, drill out the two pilot holes on each front side of the meter case to 1/4 or 5/16 inch (6.4 or 8.0 mm) holes and install a bicycle lock through these holes.

Coin Slide Control

(Coin Slide Models Only)

Power-Up Mode

When power is applied to the dryer, the control will enter the Ready Mode. If the control was powered down during a running a cycle, the *IN USE* LED will flash once and the control will enter Start Mode. If the dry time dipswitch settings have not been changed from factory default, the *IN USE* LED will flash once.

Ready Mode

In Ready Mode, the control waits for the vend to be satisfied before entering Start Mode.

Start Mode

In Start Mode, the vend has been satisfied, but the Start button has not been pressed. The *IN USE* LED will be lit. The timer will not count down until the Start button is pressed.

Run Mode

In Run Mode, the control is running a cycle. The *IN USE* LED is lit.

Door Open Mode

In Door Open Mode, the control turns off the heater and motor when the door is opened during a run cycle. The timer will continue to count down time and the *IN USE* LED is lit.

End of Cycle Mode

In End of Cycle Mode, a cycle is complete and the *IN USE* LED is off. The control remains in this mode until the door is opened or additional vend has been satisfied.

Topoffs

Any time the control receives a coin slide pulse during a cycle it will add the programmed dry time to the time currently remaining in the cycle. The *IN USE* LED will flash briefly to indicate the coin input. The maximum cycle time is 99 minutes. The control will not add time beyond 99 minutes. The cool down time will not change. If the control receives a coin slide pulse during cool down it will exit cool down and start heating with the cycle time equal to the programmed time.

Temperature Selector Switch

For five minutes after the control is powered up, there is a diagnostic feature that allows the temperature selector switches to be tested. When the temperature selector is changed, the new setting is displayed by flashing the *IN USE* LED as follows:

High/Normal: 4 flashes

Medium/PP or Casual: 3 flashes

Low/Delicate: 2 flashes

No Heat: 1 flash

Vending

Error Display Mode

The control enters Error Display Mode to display thermistor errors. The heater is turned off, the *IN USE* LED flashes to indicate the error (refer to paragraphs below), and the timer will continue to count down time. The control remains in Error Display Mode until the control senses the thermistor has returned to an acceptable heating range, the cycle ends or machine is powered down.

Open Thermistor

If the control senses a temperature less than 0°F when the heat has been on for at least three minutes it will set an open thermistor error. The control will flash the *IN USE* LED twice separated by a one and a half second pause. This sequence is repeated as long as the Open Thermistor error is sensed.

Shorted Thermistor

If the control senses a temperature greater than 210 ± 4°F during an active cycle it will set a Shorted Thermistor error. The control will flash the *IN USE* LED three times separated by a one and a half second pause. This sequence is repeated as long as the Shorted Thermistor error is sensed.

Setting Dry Time Dipswitches

To change the dry time on the dryer, combinations of dipswitches can be set on the control. Refer to *Figure 34*.

There are eight dipswitches on the dryer control. The first six switches are used to program the amount of additional heat time given for each coin pulse. The additional drying time is added to the factory default minimum heat time of one minute. A value of 1 to 63 minutes of additional drying time is available for each coin slide pulse.

Models Through Serial No. 0908

The last two switches are used to program the amount of additional cool down time. The additional cool down time is added to the factory default minimum cool down time of 3 minutes. A value of 1 to 3 additional minutes is available.

Models Starting Serial No. 0909

The seventh switch is used to program the amount of additional cool down time. The additional cool down time is added to the factory default minimum cool down time of 3 minutes. A value of 3 additional minutes is available.

The eighth switch is used for the cycle reset. If the switch is OFF (default), the control will save the time left on a cycle in case of a power failure. If the switch is ON, the control will clear the cycle and return to Ready Mode if there is a power failure.

All Models

The control is shipped from the factory programmed with 1 minute of minimum heat time, preset with 41 additional minutes of drying time (dipswitches 1, 4 and 6 in ON position) and 3 minutes of minimum cool down time for a total time of 45 minutes for a coin pulse. Refer to *Table 5* for dipswitch settings.

The control reads the dipswitch settings at power-up. The control must be powered down to change the dipswitch settings.

To change the heat or cool down time for a coin pulse, the desired dry time dipswitches must be set to ON position. All other dipswitches must be in OFF position.

NOTE: The control must be powered down for 10 seconds before the dipswitch can be changed.

Models Starting Serial No. 0909

Resetting Cycle Time to Zero

To remove any cycle time that may have accumulated on the control during setup, the cycle time on the control can be reset to zero.

To reset the time, unplug the dryer and set dipswitch 8 to ON position. Restore power to the dryer for 10 seconds and once again unplug dryer. Set dipswitch 8 to OFF position and restore power to the dryer.

Dipswitch Settings

| Heat Time Per Coin Pulse (in minutes) | Heat Switch Number | | | | | |
|--|--------------------|-----|-----|-----|-----|-----|
| | 1 | 2 | 3 | 4 | 5 | 6 |
| 1 | OFF | OFF | OFF | OFF | OFF | OFF |
| 2 | ON | OFF | OFF | OFF | OFF | OFF |
| 3 | OFF | ON | OFF | OFF | OFF | OFF |
| 4 | ON | ON | OFF | OFF | OFF | OFF |
| 5 | OFF | OFF | ON | OFF | OFF | OFF |
| 6 | ON | OFF | ON | OFF | OFF | OFF |
| 7 | OFF | ON | ON | OFF | OFF | OFF |
| 8 | ON | ON | ON | OFF | OFF | OFF |
| 9 | OFF | OFF | OFF | ON | OFF | OFF |
| 10 | ON | OFF | OFF | ON | OFF | OFF |
| 11 | OFF | ON | OFF | ON | OFF | OFF |
| 12 | ON | ON | OFF | ON | OFF | OFF |
| 13 | OFF | OFF | ON | ON | OFF | OFF |
| 14 | ON | OFF | ON | ON | OFF | OFF |
| 15 | OFF | ON | ON | ON | OFF | OFF |
| 16 | ON | ON | ON | ON | OFF | OFF |
| 17 | OFF | OFF | OFF | OFF | ON | OFF |
| 18 | ON | OFF | OFF | OFF | ON | OFF |
| 19 | OFF | ON | OFF | OFF | ON | OFF |
| 20 | ON | ON | OFF | OFF | ON | OFF |
| 21 | OFF | OFF | ON | OFF | ON | OFF |
| 22 | ON | OFF | ON | OFF | ON | OFF |
| 23 | OFF | ON | ON | OFF | ON | OFF |
| 24 | ON | ON | ON | OFF | ON | OFF |
| 25 | OFF | OFF | OFF | ON | ON | OFF |
| 26 | ON | OFF | OFF | ON | ON | OFF |
| 27 | OFF | ON | OFF | ON | ON | OFF |
| 28 | ON | ON | OFF | ON | ON | OFF |
| 29 | OFF | OFF | ON | ON | ON | OFF |
| 30 | ON | OFF | ON | ON | ON | OFF |
| 31 | OFF | ON | ON | ON | ON | OFF |
| 32 | ON | ON | ON | ON | ON | OFF |
| 33 | OFF | OFF | OFF | OFF | OFF | ON |
| 34 | ON | OFF | OFF | OFF | OFF | ON |
| 35 | OFF | ON | OFF | OFF | OFF | ON |
| 36 | ON | ON | OFF | OFF | OFF | ON |
| 37 | OFF | OFF | ON | OFF | OFF | ON |
| 38 | ON | OFF | ON | OFF | OFF | ON |

Table 4 (continued)

Vending

Table 4 (continued)

| Heat Time Per Coin Pulse (in minutes) | Heat Switch Number | | | | | |
|--|--------------------|-----|-----|-----|-----|----|
| | 1 | 2 | 3 | 4 | 5 | 6 |
| 39 | OFF | ON | ON | OFF | OFF | ON |
| 40 | ON | ON | ON | OFF | OFF | ON |
| 41 | OFF | OFF | OFF | ON | OFF | ON |
| 42 (preset at factory) | ON | OFF | OFF | ON | OFF | ON |
| 43 | OFF | ON | OFF | ON | OFF | ON |
| 44 | ON | ON | OFF | ON | OFF | ON |
| 45 | OFF | OFF | ON | ON | OFF | ON |
| 46 | ON | OFF | ON | ON | OFF | ON |
| 47 | OFF | ON | ON | ON | OFF | ON |
| 48 | ON | ON | ON | ON | OFF | ON |
| 49 | OFF | OFF | OFF | OFF | ON | ON |
| 50 | ON | OFF | OFF | OFF | ON | ON |
| 51 | OFF | ON | OFF | OFF | ON | ON |
| 52 | ON | ON | OFF | OFF | ON | ON |
| 53 | OFF | OFF | ON | OFF | ON | ON |
| 54 | ON | OFF | ON | OFF | ON | ON |
| 55 | OFF | ON | ON | OFF | ON | ON |
| 56 | ON | ON | ON | OFF | ON | ON |
| 57 | OFF | OFF | OFF | ON | ON | ON |
| 58 | ON | OFF | OFF | ON | ON | ON |
| 59 | OFF | ON | OFF | ON | ON | ON |
| 60 | ON | ON | OFF | ON | ON | ON |
| 61 | OFF | OFF | ON | ON | ON | ON |
| 62 | ON | OFF | ON | ON | ON | ON |
| 63 | OFF | ON | ON | ON | ON | ON |
| 64 | ON | ON | ON | ON | ON | ON |

Models Through Serial No. 0908

| Cool Down Per Cycle (in minutes) | Cool Down Switch Number | |
|-------------------------------------|-------------------------|-----|
| | 7 | 8 |
| 3 (preset at factory) | OFF | OFF |
| 4 | ON | OFF |
| 5 | OFF | ON |
| 6 | ON | ON |

Total Cycle Time = Heat Time + Cool Down Time

Table 5

Models Starting Serial No. 0909

| Cool Down Per Cycle (in minutes) | Cool Down Switch Number |
|-------------------------------------|----------------------------|
| | 7 |
| 3 (preset at factory) | OFF |
| 6 | ON |

| Cycle Reset Switch Number |
|------------------------------|
| 8 |
| OFF |
| ON |

Total Cycle Time = Heat Time + Cool Down Time

Table 6

Test Setting

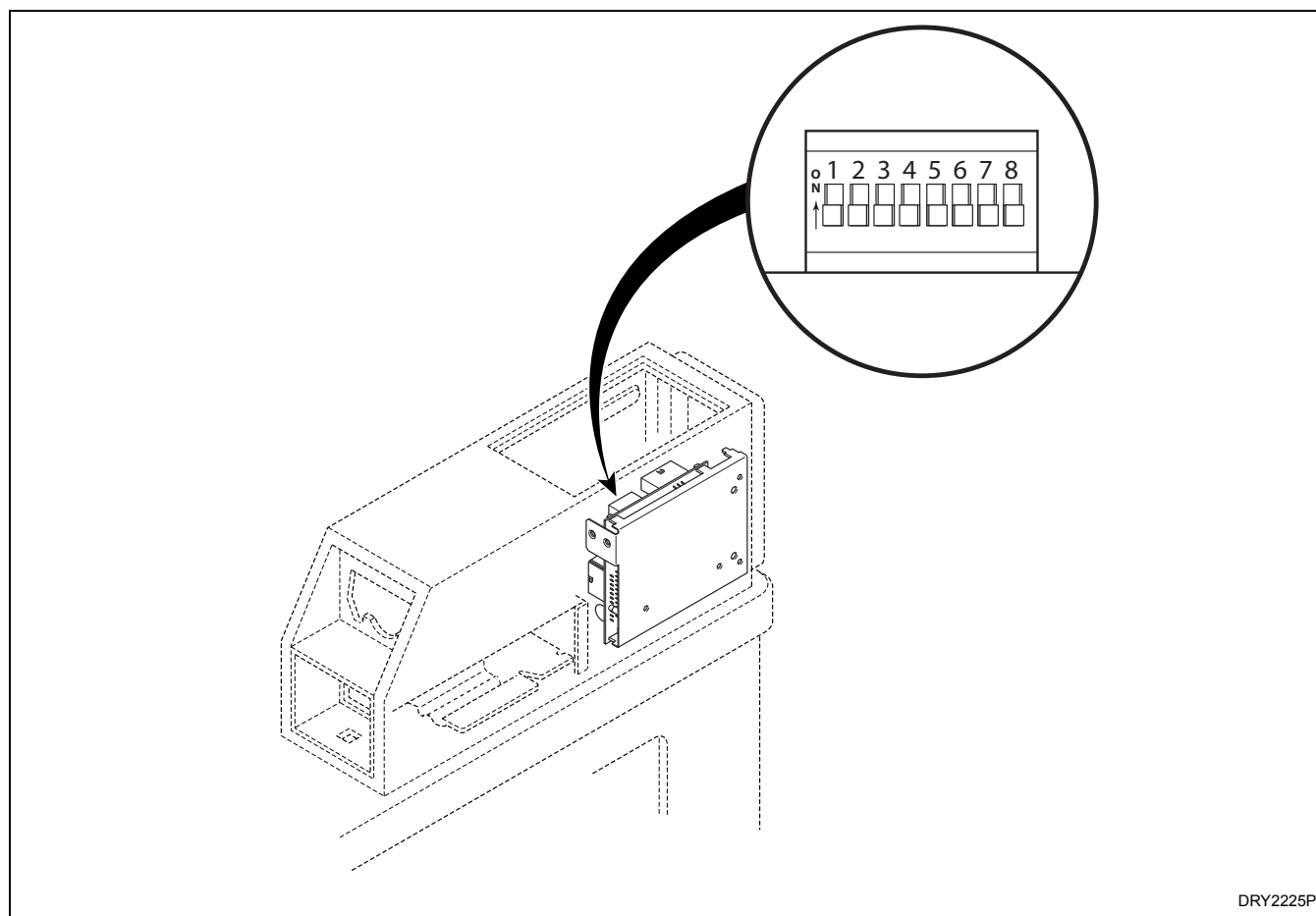
When testing coin slide operation or other troubleshooting, set dipswitch with this shorter cycle:

1. Unplug the machine power cord.
2. Record the machine control dipswitch settings. Then set them all to the off position. Refer to *Figure 34*.

3. Plug in the machine and initiate a cycle.

NOTE: With all the control dipswitches off, the total cycle time will be four minutes long.

4. Once all the testing is complete, unplug the machine and re-set the dipswitches to their original settings.
5. Plug in the machine.



DRY2225P

Figure 34

Slide Extension

(Coin Slide Models with Standard Capacity Metercase Only)

NOTE: Models with high capacity metercase require a coin slide with a switch installed on it.

1. Remove slide extension parts from parts accessories bag included in unit.
2. If installing a Greenwald coin slide, position extension lever (to be installed on extension bracket) with arm that has one star facing down. Refer to *Figure 35*.

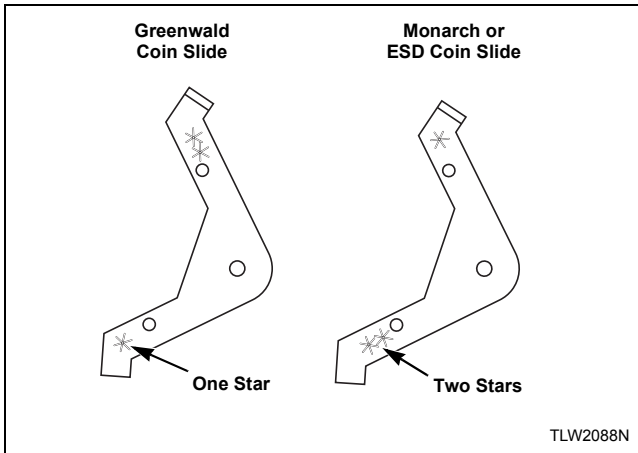


Figure 35

3. If installing a Monarch or ESD coin slide, position lever with arm that has two stars facing down. Refer to *Figure 35*.
4. Install extension lever with rounded corner facing away from extension bracket using bolt, one or two flat washers (shims) (use number of washers included in kit) and nut. Refer to *Figure 36*. Make sure washers are flat against bracket.

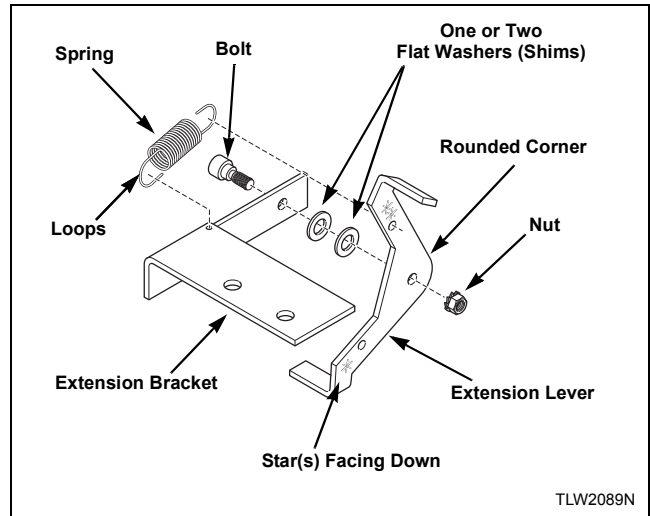


Figure 36

5. Torque nut between 2 and 2.26 Nm (18 and 20 inch-pounds), or tighten nut firmly.
6. Install extension spring in bracket hole and hole in upper arm of lever. Refer to *Figure 36*.
7. Bend loops closed after installation.
8. Check to make sure the lever swings freely.

Installing Extension Onto Coin Slide: Option 1

1. Install slide extension onto top of coin slide using two remaining screws and lockwashers. Refer to *Figure 37*.

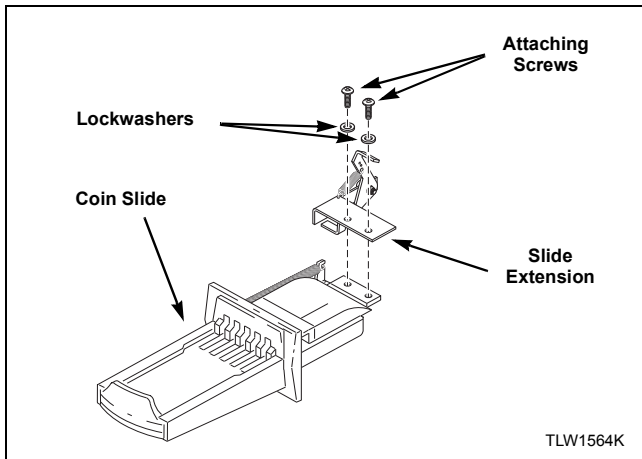


Figure 37

2. Insert coins and partially extend coin slide.
3. Insert coin slide on its side through meter case opening. Then rotate 90 degrees to its proper orientation.
4. Return coin slide and hook slide pins onto meter case.
5. Continue coin slide installation according to manufacturer's instructions.

NOTE: During coin slide installation, make sure activation lever is up and off the switch. Refer to *Figure 38*.

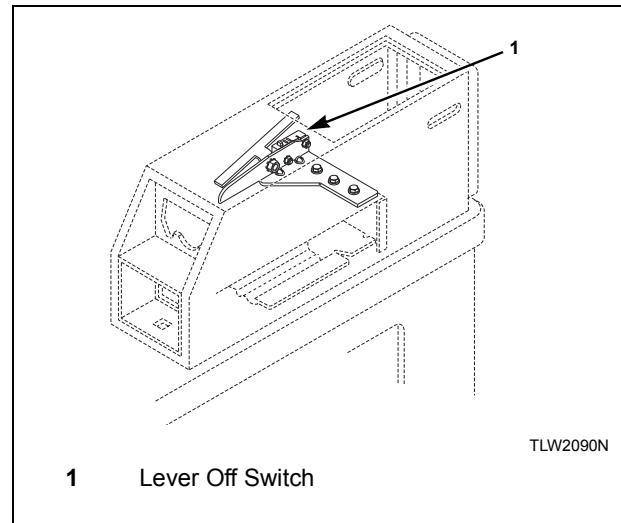


Figure 38

6. Check to make sure coin slide is operating properly by inserting coins and starting a cycle. The IN USE light will turn on, or flash if it is already on, to indicate proper operation.

NOTE: To avoid long run-down time (45 minutes factory default) when testing operation, refer to *Test Setting* section.

Installing Extension Onto Coin Slide: Option 2

1. Install coin slide according to manufacturer's instructions.
2. Insert coins into coin slide and slowly push slide in. Stop before coins fall into coin box. This will allow installing extension through meter case service door opening.
3. Install slide extension onto top of coin slide using two screws and lockwashers. Refer to *Figure 37*.

NOTE: Make sure extension lever is above switch activation lever.

4. Check to make sure coin slide is operating properly by inserting coins and starting a cycle. The IN USE light will turn on, or flash if it is already on, to indicate proper operation.

NOTE: To avoid long run-down time (45 minutes factory default) when testing operation, refer to *Test Setting* section.

Vending

Additional Dryer Security

Located on the service door of the dryer is a flat Phillips head screw. During shipment, this screw is used to attach the service door to the meter case. For additional security, this screw can be reinstalled inside the control hood of your dryer. Following is the procedure for installing this screw:

1. Remove the Phillips head screw from service door. (Refer to *Figure 39*.)
2. Remove two screws holding control panel to control hood.
3. Tilt control panel forward and lay on a protective pad to prevent scratching of cabinet top.
4. Insert Phillips head screw down through double "D" hole in left rear corner of cabinet top (inside control hood) until it engages retainer nut located on left rear corner gusset of cabinet.
5. Finger tighten screw.

IMPORTANT: Do not use a power driver to tighten screw. Torque of a power driver could over-tighten screw causing damage to cabinet assembly.

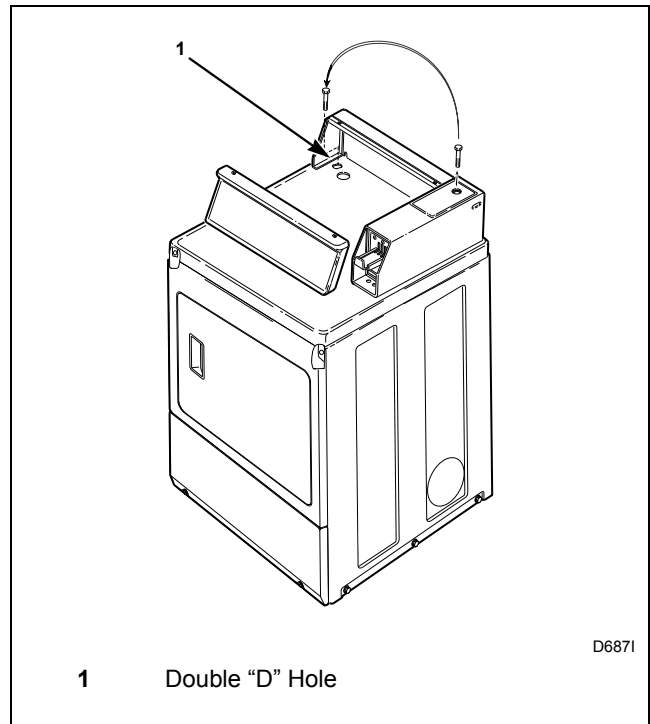



Figure 39

Operation

Operation Instructions for Nonmetered and Coin Slide Dryers

| | |
|---|----------------|
|  | WARNING |
| <p>To reduce the risk of fire, electric shock, or injury to persons, read the IMPORTANT SAFETY INSTRUCTIONS before operating this appliance.</p> | |
| <small>W727</small> | |

IMPORTANT: Before using dryer for the first time, use an all-purpose cleaner, or a detergent and water solution, and a damp cloth to remove shipping dust from inside of dryer drum.

IMPORTANT: Remove all sharp objects from laundry to avoid tears and rips to items during normal machine operation.

Step 1: Clean Lint Filter

Clean lint filter before each use.

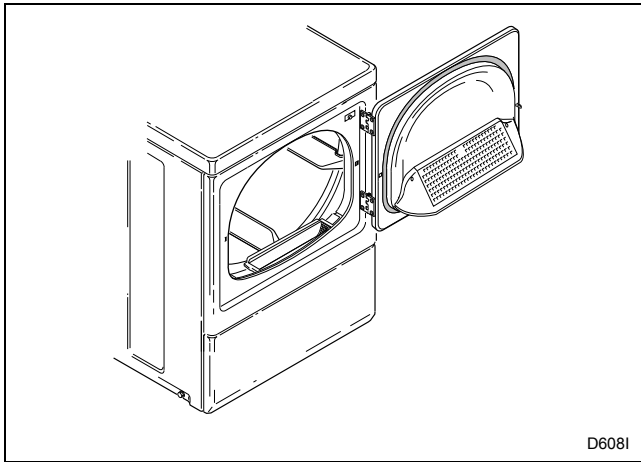


Figure 40

Step 2: Load Laundry

Load clothes loosely into dryer drum. Add fabric softener sheet if desired.

IMPORTANT: To avoid damage to dryer, do not use more than one fabric softener sheet per load.

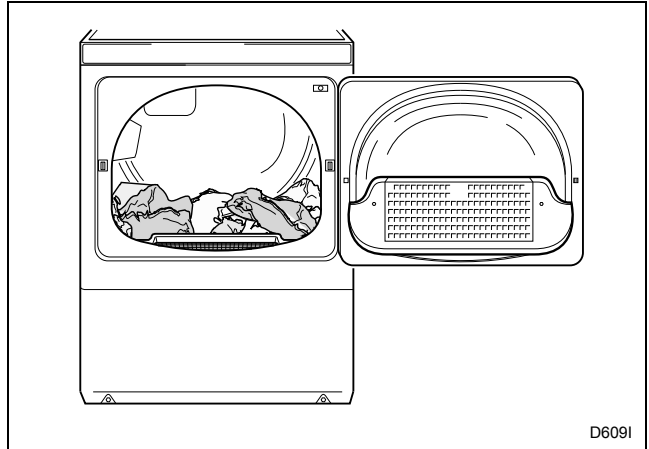


Figure 41

Step 3: Close Loading Door

Close loading door. Dryer will not operate with the door open.

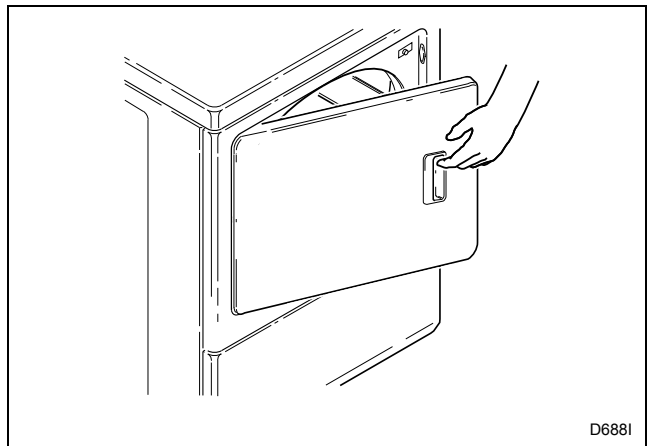


Figure 42

Operation

Step 4: Set Fabric Selector

Select **NORMAL** for cottons, **PERM PRESS/CASUAL** for permanent press, **DELICATE** for sensitive items or **FLUFF (NO HEAT)** for items that require no heat.

NOTE: Always follow manufacturer's care label instructions.

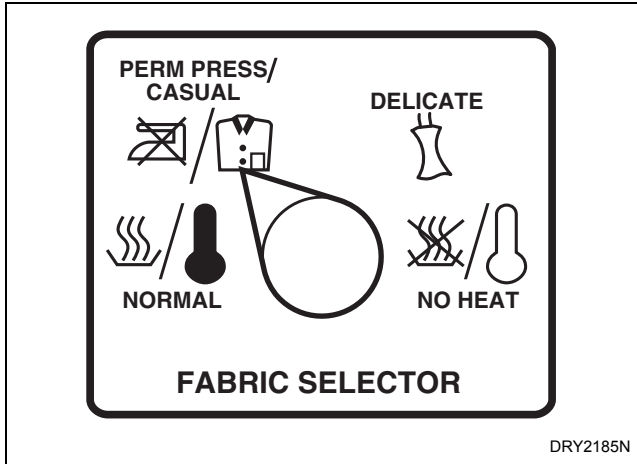


Figure 43

Step 5: Start Dryer

Nonmetered Models

Rotate timer knob to desired time setting (up to 60 minutes). Press the PUSH-TO-START button. *IN USE* light will come on (indicating start of cycle).

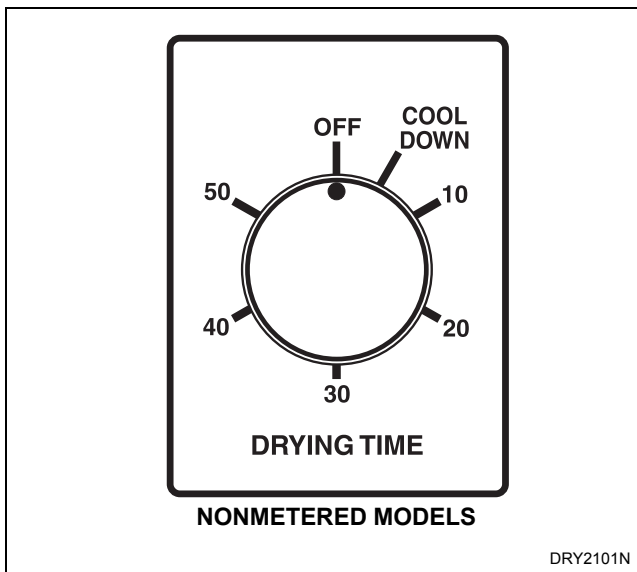


Figure 44

Coin Slide Models

Place coin(s) in slide and carefully push in as far as possible and then pull slide out as far as possible. After *IN USE* light comes on (indicating start of cycle), press the PUSH-TO-START button.

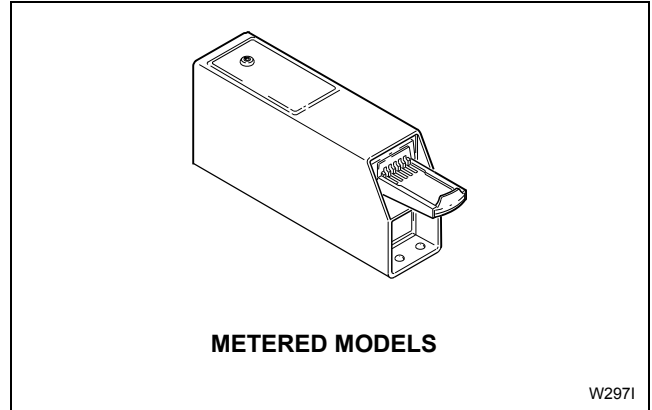



Figure 45

Remove knits when slightly damp because overdrying may cause shrinkage. Do not tumble dry knit woolsens.

Should dryer stop before cycle is completed, the motor overload protector may have cycled. Refer to *Maintenance* section.

NOTE: This machine includes an extended tumble feature. Starting 20 minutes after a cycle ends, the cylinder will tumble for two minutes every hour without heat, up to 18 hours or until door is opened.

Operation Instructions for Electronic Display Control Dryers

| | |
|---|----------------|
|  | WARNING |
| <p>To reduce the risk of fire, electric shock, or injury to persons, read the IMPORTANT SAFETY INSTRUCTIONS before operating this appliance.</p> | |
| W727 | |

IMPORTANT: Before using dryer for the first time, use an all-purpose cleaner, or a detergent and water solution, and a damp cloth to remove shipping dust from inside of dryer drum.

IMPORTANT: Remove all sharp objects from laundry to avoid tears and rips to items during normal machine operation.

Step 1: Clean Lint Filter

Clean lint filter before each use.

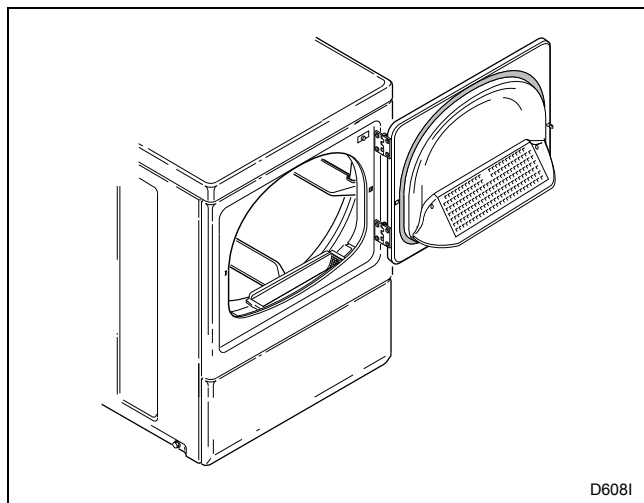


Figure 46

Step 2: Load Laundry

Load clothes loosely into dryer drum. Add fabric softener sheet if desired.

IMPORTANT: To avoid damage to dryer, do not use more than one fabric softener sheet per load.

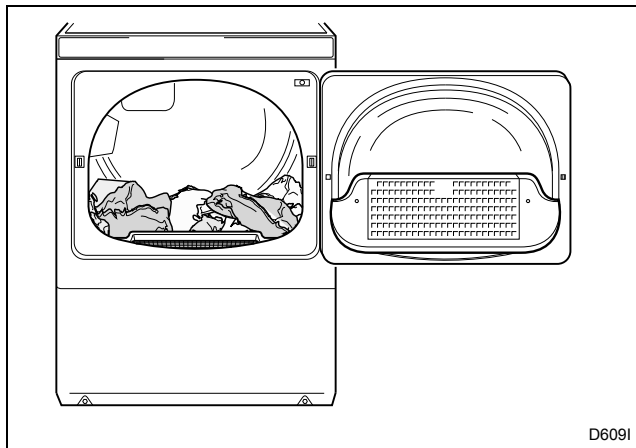


Figure 47

Step 3: Close Loading Door

Close loading door. Dryer will not operate with the door open.

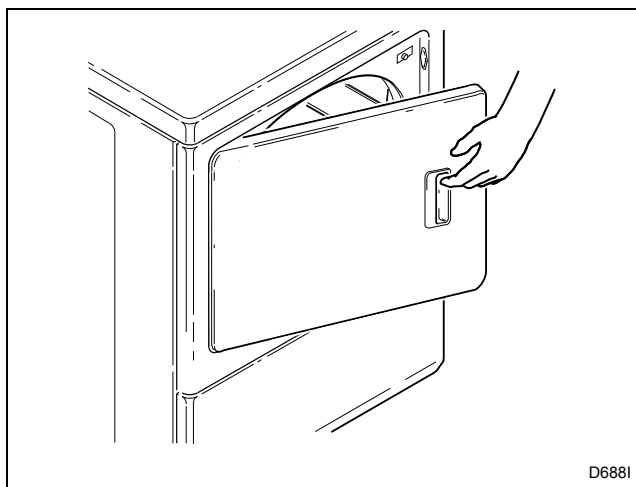


Figure 48

Operation

Step 4: Set Fabric Selector

Select **NORMAL** (High Temp), **PERM PRESS** (Med Temp), **DELICATES** (Low Temp) or **TUMBLE** (No Heat) by pushing touchpad.

NOTE: Always follow manufacturer's care label instructions.

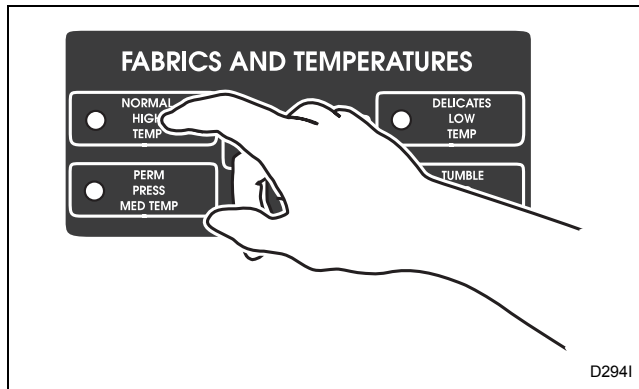


Figure 49

Step 5: Insert Coin(s) or Card

To Insert Money

Insert coin(s) in coin slot. Check pricing as seen on digital display.

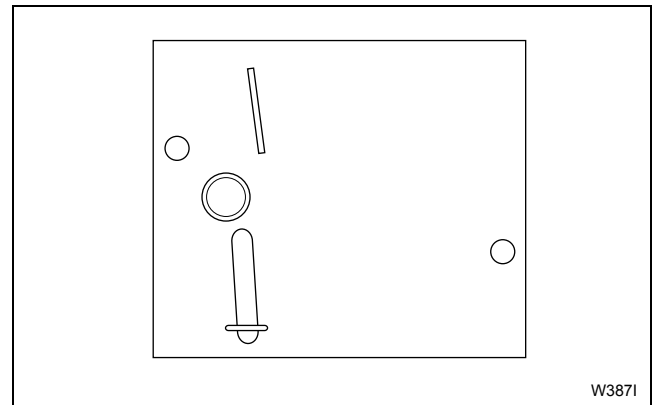


Figure 50

To Insert Card

Insert card into opening. Follow directions on display. **DO NOT REMOVE THE CARD UNTIL DISPLAY READS "Remove Card."**

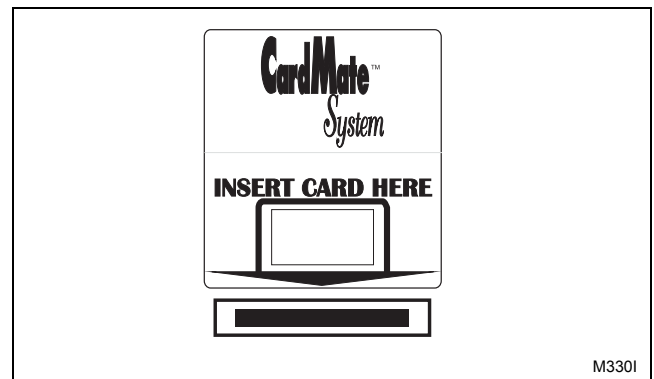


Figure 51

If Additional Time Feature is turned on, additional dryer time may be purchased at cycle start or while dryer is running.

Remove knits when slightly damp because overdrying may cause shrinkage. Do not tumble dry knit woolens.

Step 6: Start Dryer

To start dryer, push START pad.

To stop dryer at any time, open the door. To restart the dryer, close door and push START pad.

Cycle is completed when time remaining reaches 00 minutes.

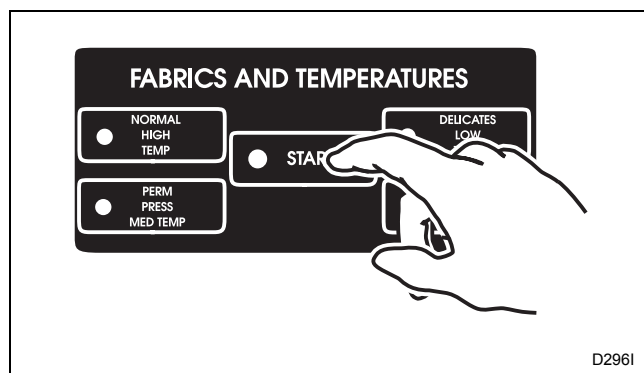


Figure 52

Indicator Lights

INSERT COINS

INSERT COINS is lit to prompt the user to insert coins or card to satisfy the vend price for the chosen cycle. When *INSERT COINS* is lit, the three digits and decimal point will display the vend price remaining to be satisfied.

PUSH START

PUSH START is lit whenever the dryer is not in a cycle, the full vend price has been satisfied and the dryer door is closed. When the START pad is pressed, the cycle will begin or resume. The *PUSH START* status word flashes at one-second intervals when activated.

DRYING

DRYING is lit to indicate that one of the heated cycles (HIGH TEMP, MED TEMP, LOW TEMP) is currently in operation. The status word *DRYING* goes off at the end of a heated cycle or when the COOL DOWN cycle begins.

DOOR OPEN

DOOR OPEN is lit and flashes at one-second intervals whenever the dryer door is open.

COOL DOWN

COOL DOWN is lit whenever the COOL DOWN portion of a heated cycle is active. It is also lit when the NO HEAT cycle is in operation.

PRICE


PRICE is lit to indicate that the value displayed is the vend pricing remaining to be satisfied. Once the vend price is satisfied, the word *PRICE* will go off.

TIME REMAINING

TIME REMAINING is lit to indicate that the time displayed by two digits and the colon is the time remaining (in minutes) in the active cycle. The colon flashes at one-second intervals and time continually counts down in an active cycle.

Should dryer stop before cycle is completed, the motor overload protector may have cycled. Refer to *Maintenance* section.

Operation Instructions for MDC Dryers

| | |
|---|----------------|
|  | WARNING |
| <p>To reduce the risk of fire, electric shock, or injury to persons, read the IMPORTANT SAFETY INSTRUCTIONS before operating this appliance.</p> | |
| <small>W727</small> | |

IMPORTANT: Before using dryer for the first time, use an all-purpose cleaner, or a detergent and water solution, and a damp cloth to remove shipping dust from inside of dryer drum.

IMPORTANT: Remove all sharp objects from laundry to avoid tears and rips to items during normal machine operation.

Step 1: Clean Lint Filter

Clean lint filter before each use.

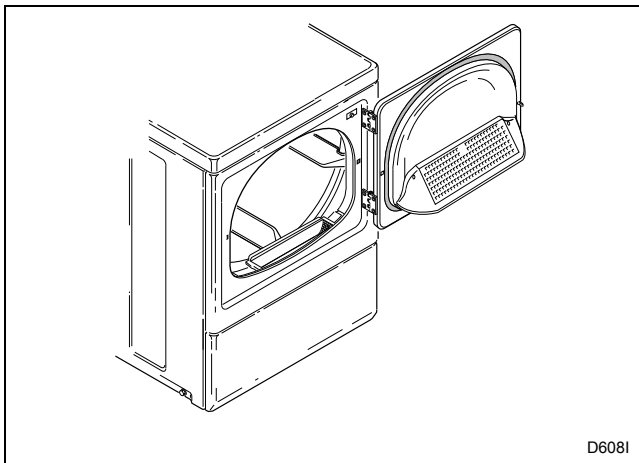


Figure 53

Step 2: Load Laundry

Load clothes loosely into dryer drum. Add fabric softener sheet if desired.

IMPORTANT: To avoid damage to dryer, do not use more than one fabric softener sheet per load.

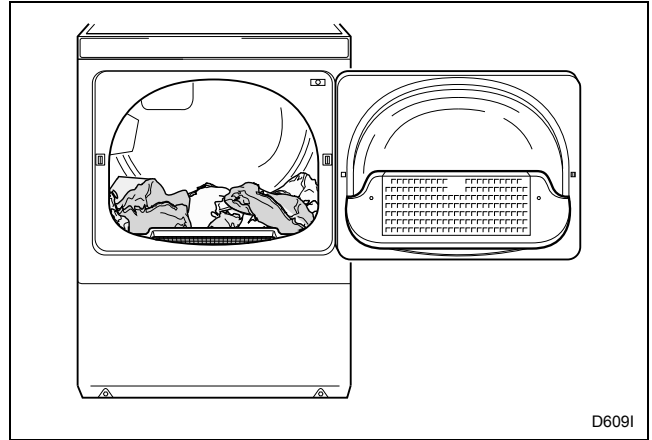


Figure 54

Step 3: Close Loading Door

Close loading door. Dryer will not operate with the door open.

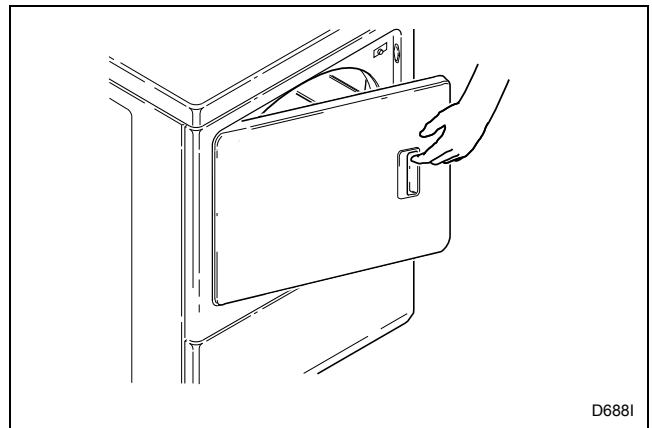


Figure 55

Step 4: Set Fabric Selector

Select **HIGH TEMP**, **MED TEMP**, **LOW TEMP** or **DELICATES** by pushing touchpad.

NOTE: Always follow manufacturer's care label instructions.

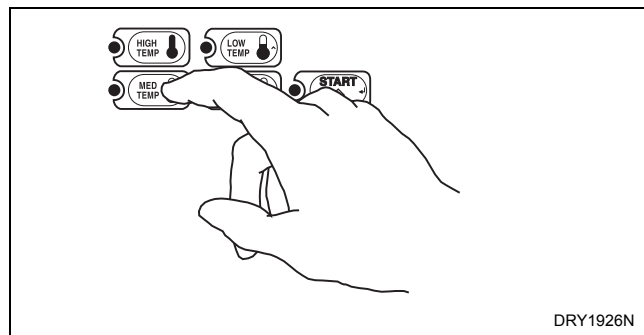


Figure 56

Step 5: Insert Coin(s) or Card

To Insert Money

Insert coin(s) in coin slot. Check pricing as seen on digital display.

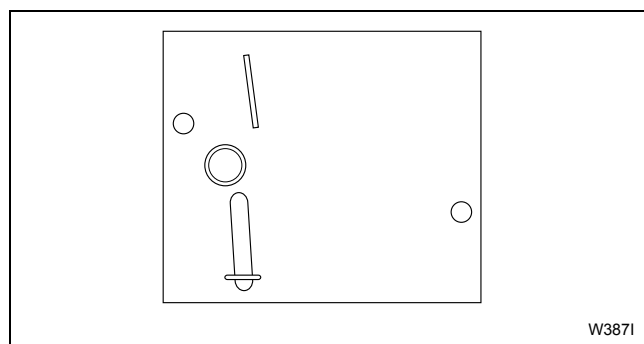


Figure 57

To Insert Card

Insert card into opening.

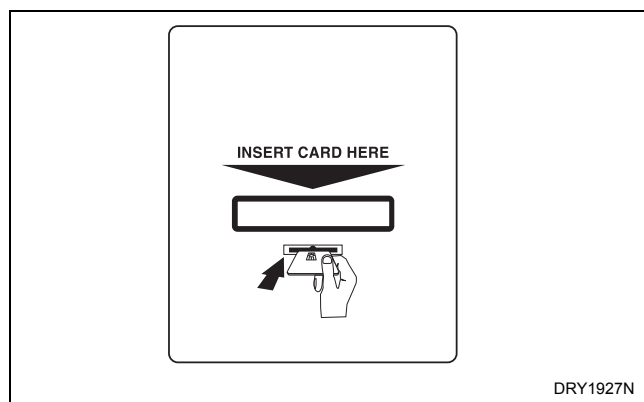


Figure 58

If Additional Time Feature is turned on, additional dryer time may be purchased at cycle start or while dryer is running.

Remove knits when slightly damp because overdrying may cause shrinkage. Do not tumble dry knit woolens.

Step 6: Start Dryer

To start dryer, push **START** pad.

To stop dryer at any time, open the door. To restart the dryer, close door and push **START** pad.

Cycle is completed when time remaining reaches 00 minutes.

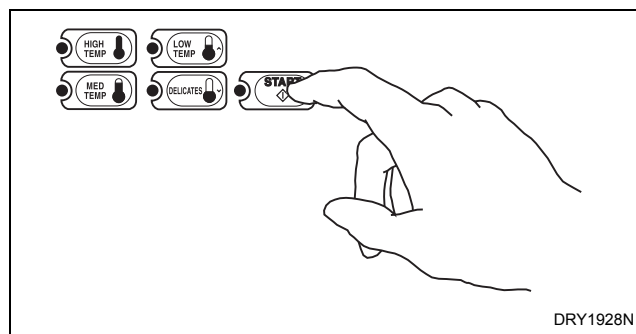


Figure 59

Indicator Lights

START

START is lit whenever the dryer is not in a cycle, the full vend price has been satisfied and the dryer door is closed. When the **START** pad is pressed, the cycle will begin or resume.


DRYING

DRYING is lit to indicate that one of the heated cycles (**HIGH TEMP**, **MED TEMP**, **LOW TEMP** or **DELICATES**) is currently in operation. **DRYING** will turn off at the end of a heated cycle or when the **COOL DOWN** cycle begins.

COOL DOWN

COOL DOWN is lit whenever the **COOL DOWN** portion of a heated cycle is active. It is also lit when no heat is programmed for a cycle in operation.

Operation Instructions for NetMaster Dryers

| | |
|---|----------------|
|  | WARNING |
| <p>To reduce the risk of fire, electric shock, or injury to persons, read the IMPORTANT SAFETY INSTRUCTIONS before operating this appliance.</p> | |
| <small>W727</small> | |

IMPORTANT: Before using dryer for the first time, use an all-purpose cleaner, or a detergent and water solution, and a damp cloth to remove shipping dust from inside of dryer drum.

IMPORTANT: Remove all sharp objects from laundry to avoid tears and rips to items during normal machine operation.

Step 1: Clean Lint Filter

Clean lint filter before each use.

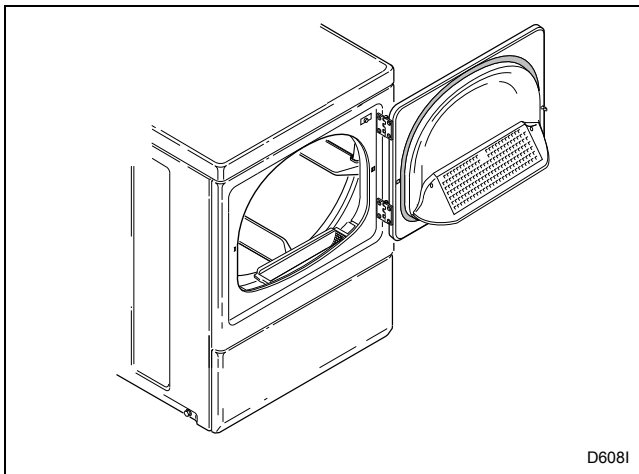


Figure 60

Step 2: Load Laundry

Load clothes loosely into dryer drum. Add fabric softener sheet if desired.

IMPORTANT: To avoid damage to dryer, do not use more than one fabric softener sheet per load.

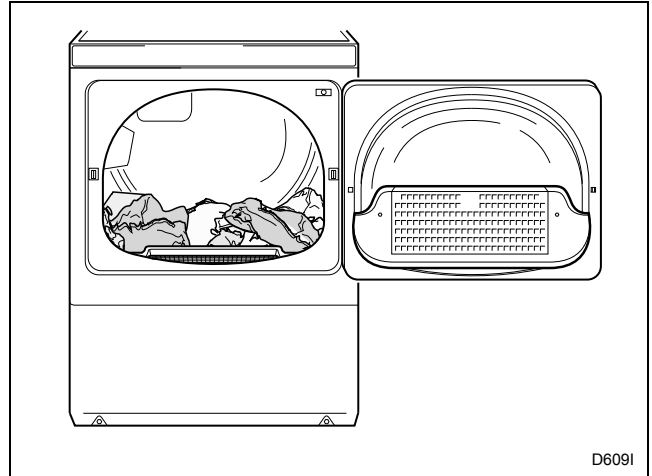


Figure 61

Step 3: Close Loading Door

Close loading door. Dryer will not operate with the door open.

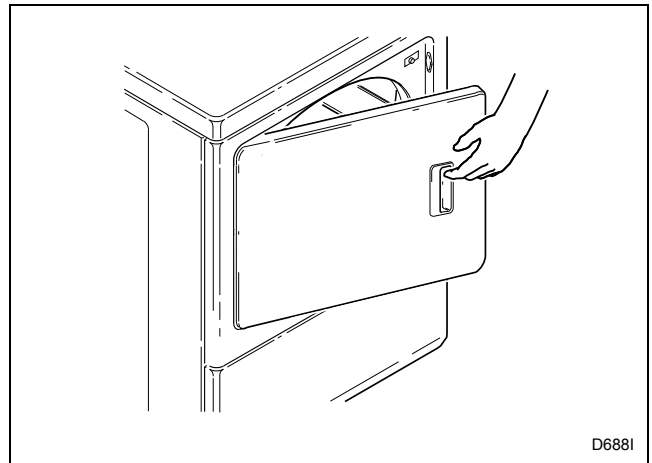


Figure 62

Step 4: Set Fabric Selector

Select **HIGH TEMP**, **MED TEMP**, **LOW TEMP** or **NO HEAT** by pushing touchpad.

NOTE: Always follow manufacturer's care label instructions.

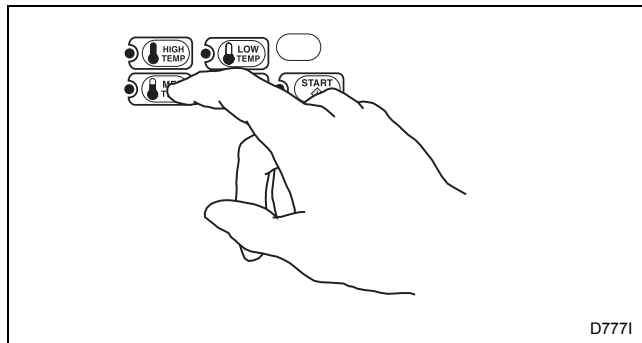


Figure 63

Step 5: Insert Coin(s) or Card

To Insert Money

Insert coin(s) in coin slot. Check pricing as seen on digital display.

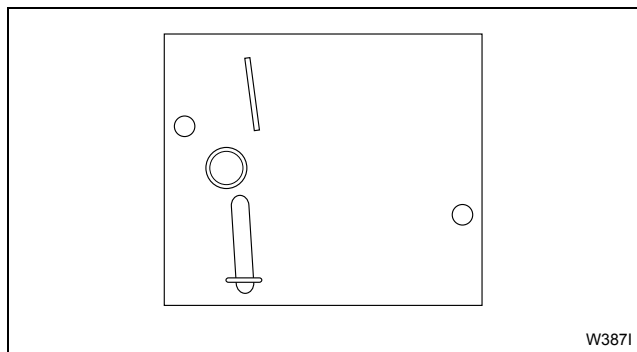


Figure 64

To Insert Card

Insert card into opening. Do not remove the card until the **REMOVE CARD LED** is lit.

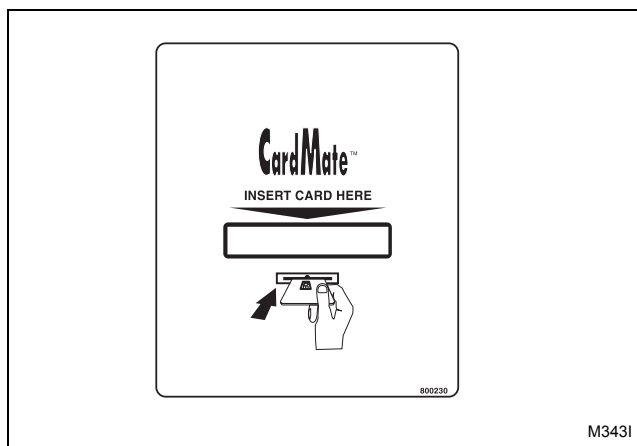


Figure 65

If Additional Time Feature is turned on, additional dryer time may be purchased at cycle start or while dryer is running.

Remove knits when slightly damp because overdrying may cause shrinkage. Do not tumble dry knit woolsens.

Operation

Step 6: Start Dryer

To start dryer, push **START** pad.

To stop dryer at any time, open the door. To restart the dryer, close door and push **START** pad.

Cycle is completed when time remaining reaches 00 minutes.

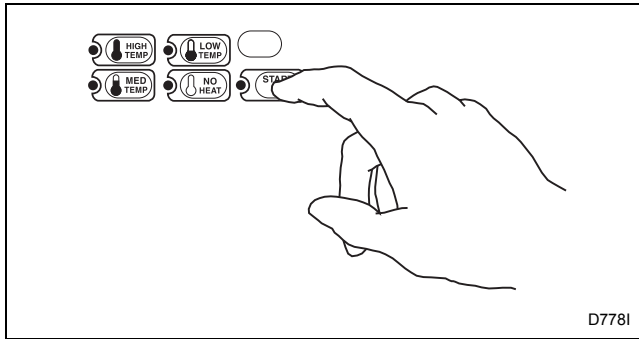


Figure 66

Indicator Lights

INSERT COINS/CARD

INSERT COINS/CARD is lit to prompt the user to insert coins or a card to satisfy the vend price. When *INSERT COINS/CARD* is lit, the three digits and decimal point will display the vend price remaining to be satisfied.

START

START is lit whenever the dryer is not in a cycle, the full vend price has been satisfied and the dryer door is closed. When the **START** pad is pressed, the cycle will begin or resume.

DRYING

DRYING is lit to indicate that one of the heated cycles (HIGH TEMP, MED TEMP, or LOW TEMP) is currently in operation. *DRYING* will turn off at the end of a heated cycle or when the COOL DOWN cycle begins.

COOL DOWN

COOL DOWN is lit whenever the COOL DOWN portion of a heated cycle is active. It is also lit when the NO HEAT cycle is in operation.

ADD TIME (Card Models Only)

ADD TIME flashes when a card is inserted while a cycle is running or when a card is left in the reader for at least five seconds after cycle has started.

REMOVE CARD (Card Models Only)


REMOVE CARD flashes when a card is inserted or left in the reader after a transaction is complete. It will also flash alternately with *ADD TIME* when a card is inserted while a cycle is running or when a card is left in the reader.

Maintenance

Lubrication

All moving parts are sealed in a permanent supply of lubricant or are equipped with oilless bearings. Additional lubrication will not be necessary.

Care of Your Dryer

| | |
|---|----------------|
|  | WARNING |
| To reduce the risk of an electric shock, serious injury or death, disconnect the electrical service to the dryer before cleaning the interior. | |
| W132 | |

Dryer Interior

Wipe the surfaces using a soft cloth and household cleaner or a non-abrasive paste of powdered laundry detergent and hot water, followed by a short heat cycle with a load of rags.

To remove crayon or ball point ink off the dryer drum, put the heat on high and use old rags in the dryer to absorb the crayon or ink. If unsuccessful, contact the appliance dealer. **DO NOT** use any chemicals in the dryer.

IMPORTANT: The use of chlorine bleach for removing any discolorations should be avoided because bleach could damage the finish.


Cabinet

Wipe the dryer cabinet as needed. If detergent, bleach or other washing products have been spilled on the dryer, wipe immediately. Some products will cause permanent damage if spilled on the cabinet.


Control Panel

Use only a damp or sudsy cloth for cleaning the control panel. Some spray pretreat products may harm the finish on the control panel.

NOTE: The wiring diagram is located inside the control panel.

| | |
|--|----------------|
|  | WARNING |
| Label all wires prior to disconnection when servicing controls. Wiring errors can cause improper and dangerous operation. | |
| W049 | |

Exhaust System

| | |
|--|----------------|
|  | WARNING |
| To reduce the risk of electric shock, disconnect the electrical service to the dryer before cleaning. | |
| W043 | |

The exhaust duct should be inspected after one year of use and cleaned if necessary by a qualified service person to remove any lint build-up. Inspect and clean exhaust duct every one to two years as required thereafter.

The weather hood should be checked frequently to make sure the dampers move freely, dampers are not pushed in and that nothing has been set against them.

Keep dryer area clear and free from combustible materials, gasoline and other flammable vapors and liquids.

Do not obstruct the flow of combustion and ventilation air.

NOTE: Verify proper operation after servicing.

Maintenance

Lint Filter

CLEAN THE LINT FILTER BEFORE DRYING EACH LOAD. (Refer to *Figure 67* for lint filter location.) Cleaning the lint filter is important because a layer or pad of lint on the filter will block the flow of air through the dryer, thus reducing the efficiency of the dryer. The clothes will take longer to dry and energy will be wasted.

The lint filter may be washed if needed. Annually remove lint filter and screw to vacuum the duct under it.

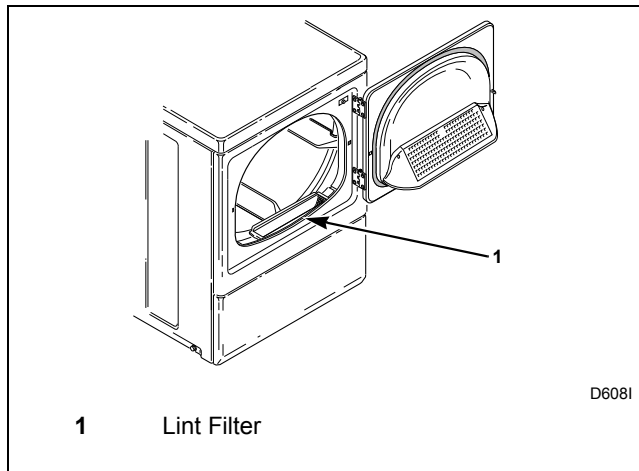


Figure 67

Motor Overload Protector

The dryer's motor overload protector stops the motor automatically in the event of an overload. After cooling, the overload protector will reset itself. Dryer can be restarted by pressing the PUSH-TO-START button or START pad. If overload protector cycles again, remove the dryer from use and call the service person to correct the problem.

For Energy Conservation

- Make sure the lint filter is always clean.
- Do not overload dryer.
- Do not overdry clothes.
- Remove items to be ironed while still damp.
- Large loads of similar fabrics dry the most efficiently. However, dry permanent press in smaller loads to prevent wrinkling.
- Use the correct temperature FABRIC SELECTOR setting for the type of fabric being dried.
- Locate your dryer so the exhaust duct is as short and straight as possible.
- Do not open the door during the drying cycle.
- Plan to do your laundry on low humidity days; your clothes will dry faster.
- Should you plan to dry several loads, do them one after another, then you do not have to reheat the dryer unit's interior parts each time.

Troubleshooting

Try these troubleshooting tips before making a service call. They may save you time and money.

| Dryer Symptom | Possible Cause/Solution |
|---|--|
| Dryer won't start | <ul style="list-style-type: none"> • Nonmetered models - Turn timer knob further into cycle. • Metered models - Insert coin(s) or card. • Metered models - Activate timer. Push coin slide all the way in. • For dryers equipped with a power cord, make sure the power cord is plugged all the way into the electrical outlet. • Make sure loading door is closed. • Press PUSH-TO-START button or START pad. • Make sure the laundry room fuse(s) isn't blown or loose, or circuit breakers aren't open. The dryer itself does not have an electrical fuse. An electric dryer has an electrical circuit with two fuses. • Check if motor overload protector has cycled. Wait 10 minutes and try again. |
| Dryer won't heat | <ul style="list-style-type: none"> • Nonmetered models - Turn timer knob further into cycle. • Metered models - Activate timer. Push coin slide all the way in. • Make sure the laundry room fuse(s) isn't blown or loose, or circuit breakers aren't open. The dryer itself does not have an electrical fuse. An electric dryer has an electrical circuit with two fuses. • Make sure controls are in a HEAT setting. • Gas dryer only – Make sure equipment and main gas line valve is turned on. • Check exhaust duct to outside to see if it is kinked, blocked or needs cleaning. • Check weather hood to make sure flapper moves freely, has not been pushed in or has not been blocked. |
| Dryer doesn't dry clothes satisfactorily | <ul style="list-style-type: none"> • Check exhaust duct to outside to see if it is kinked, blocked or needs cleaning. • Check weather hood to make sure flapper moves freely, has not been pushed in or has not been blocked. • Clean the lint filter. • Make sure the load isn't too small. Small loads may not tumble properly or dry evenly. • Check load being dried. Heavy items dried with lightweight items will not dry as quickly as the rest of the load. |
| Dryer is noisy | <ul style="list-style-type: none"> • Check dryer for foreign objects (nails, coins, bobby pins, metal, plastic toys, etc.). Remove items from dryer. • Make sure dryer is level. Uneven leveling can cause vibration. • Normal operating sounds include the tick of timer advancing, heat source going on and off, and humming of air moving through the dryer and exhaust system. |
| Clothes are too wrinkled | <ul style="list-style-type: none"> • Check heat setting. Overdrying can cause wrinkling. • Check load size. Large loads may not tumble properly and may cause wrinkling. |
| Clothes have odor | <ul style="list-style-type: none"> • Check room for odors before drying clothes. Any odor (fried foods, paint, varnish, cleaners, burning wood, etc.) will transfer to clothing as the dryer draws air from the room. Ventilate room before drying clothes. |

Contact Information

If service is required, contact the nearest Factory Authorized Service Center.

If you are unable to locate an authorized service center or are unsatisfied with the service performed on your dryer, contact:

Alliance Laundry Systems
Shepard Street
P. O. Box 990
Ripon, WI 54971-0990
U.S.A.
www.comlaundry.com
Phone: (920) 748-3121

Date Purchased _____

Model Number _____

Serial Number _____

When calling or writing about your dryer, PLEASE GIVE THE MODEL AND SERIAL NUMBERS. The model and serial numbers are located on the nameplate. The nameplate will be in the location shown in the illustration below. Please include a copy of your bill of sale and any service receipts you have.

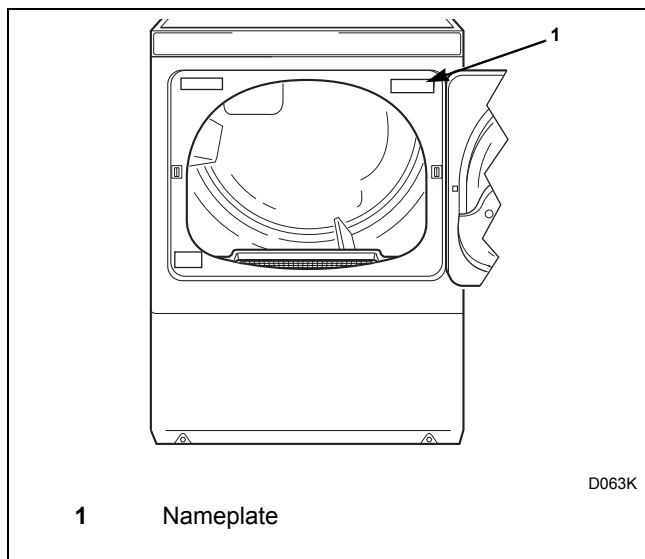


Figure 68

| | |
|---|----------------|
| | WARNING |
| To reduce the risk of serious injury or death, DO NOT repair or replace any part of the dryer or attempt any servicing unless specifically recommended in the user-maintenance instructions or in published user-repair instructions that you understand and have the skills to carry out. | |
| <small>W133</small> | |


If replacement parts are required, contact the source from which you purchased your dryer or contact us at (920) 748-3950 for the name and address of the nearest authorized parts distributor.

Installer Checklist

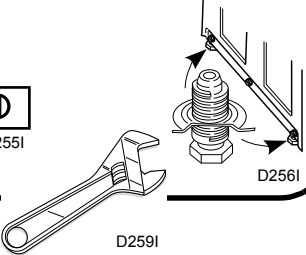
Fast Track for Installing the Dryer

(Refer to the manual for more detailed information)

1 • Position and Level the Dryer.



D255I

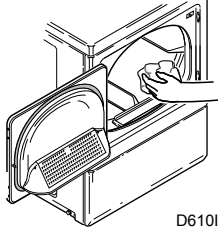


D256I

CHECK

D259I

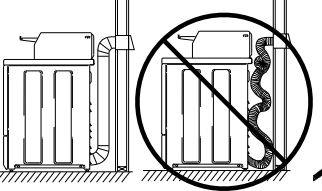
6 • Wipe Out Inside of Dryer.




D610I

CHECK

2 • Connect Dryer Exhaust System.



D333I

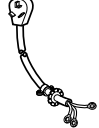



D335I

CHECK

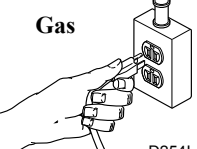
7 • Plug In the Dryer.

Electric



D275I

Gas

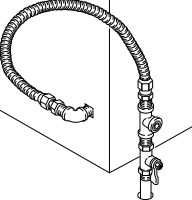


D254I

CHECK

3 — GAS ONLY

- Connect Gas Supply Pipe Hoses.
- Check for Gas Leaks.



D258I

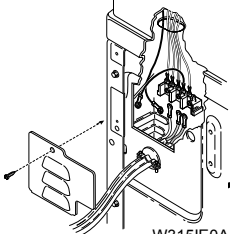
CHECK

8 • Recheck Steps 1-7.

CHECK

4 — ELECTRIC ONLY

- Connect Electrical Cord.



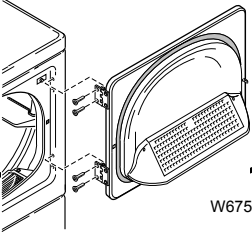
W315IE0A

CHECK

9 • Check Heat Source.

CHECK

5 • Reverse Door, if Desired.



W675I

CHECK