

REFRIGERATOR MODELS: EF42DB, EF42NB, EF48DB, EF48NB, IF42DB, IF42NB, IF48DB and IF48NB



Millennia® Handle Kit,
PNs AFMBI42H2, ARFMH42H2

INSTALLATION
INSTRUCTIONS

Tools and Materials Required

The following items are not provided with the kit and are required for proper installation.

- 3/32" Allen wrench (not supplied)
- Fasteners for attaching the handle mounting studs (IF42 and IF48 series only), size and type varies with door panel configuration, see step 1 for further information



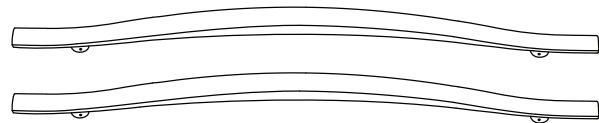
CAUTION: To avoid damage to the refrigerator or handle components, do not use power tools. Use hand tools only for disassembly and assembly.

Parts Included



PN 103731

Handle Mounting Studs* (4)



AFMBI42H2 - PN 701210

ARFMH42H2 - PN 701210-01

Millennia Style Handles (2)

* Required for IF42 and IF48 series refrigerators only

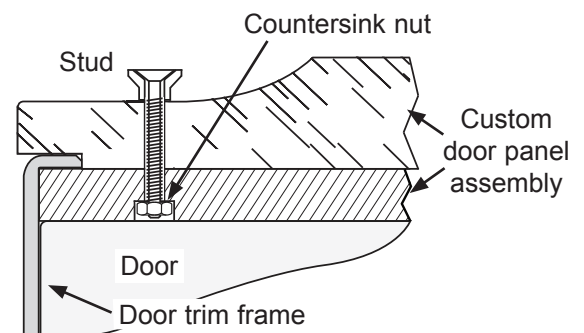
For EF42 and EF48 series refrigerators, skip to step 4.

STEP 1 IF42 and IF48 series refrigerators only: This kit does not include the necessary handle stud mounting screws because the required fastener length varies with the total thickness of the custom panels. The panel craftsman must determine and obtain the proper stud mounting fasteners required for the application prior to installing the panels on the refrigerator.

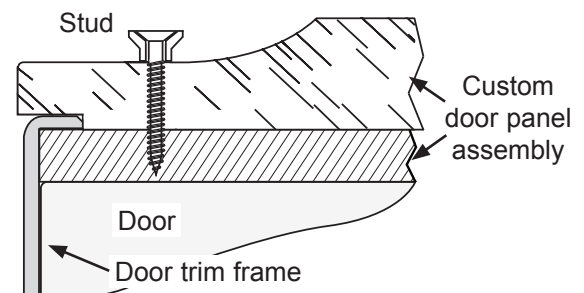
NOTES See refrigerator installation instructions for complete custom panel construction information.

The handle mounting studs accommodate #10 flat head screws/bolts. Bolting the studs into place on the panel is highly recommended for long term stability.

If using bolts, the nut must be countersunk into the panel (see diagram).



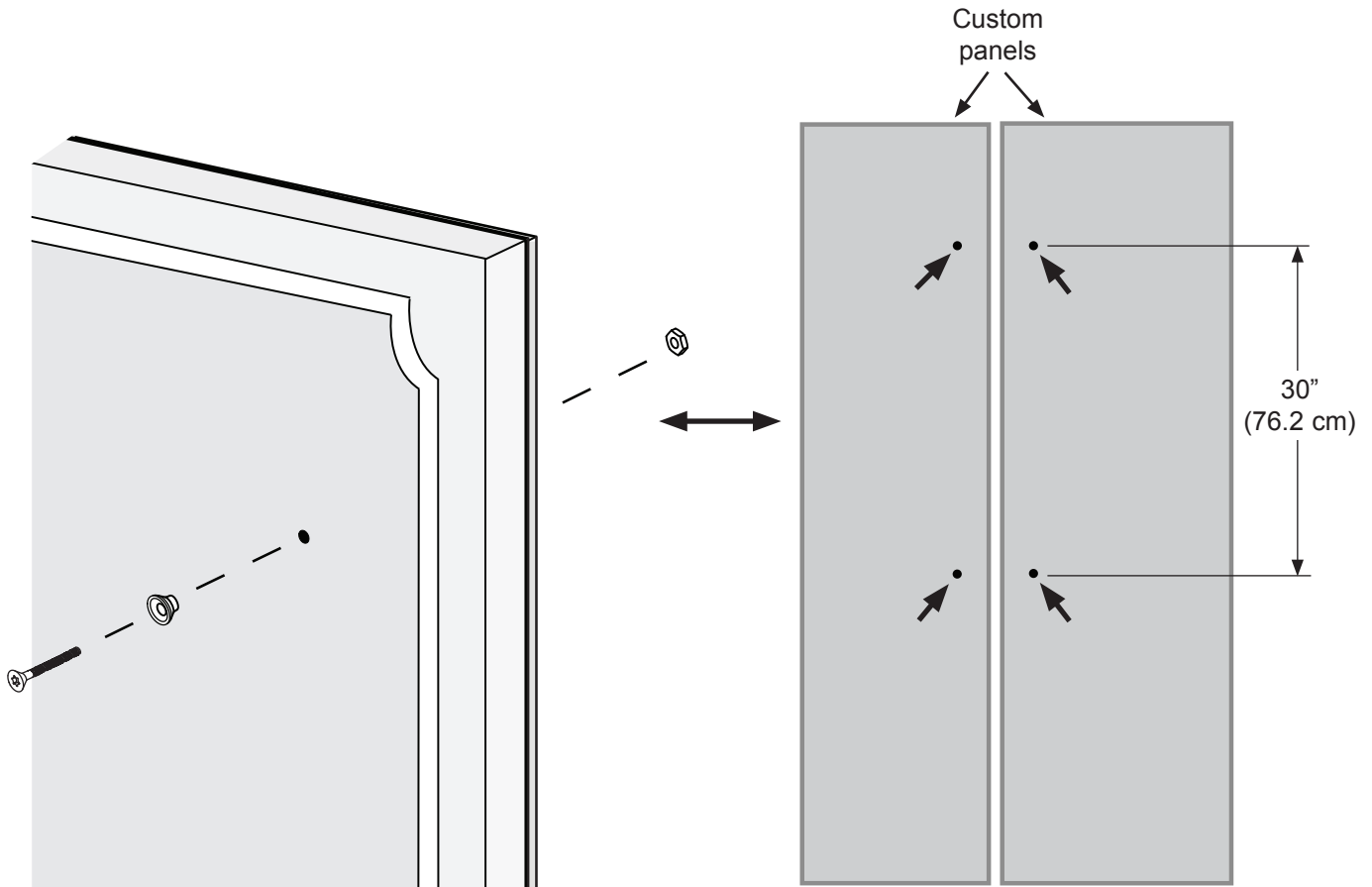
Mounting the Stud Using a Nut and Bolt
(recommended method)



Mounting the Stud Using a Wood Screw

Refrigerator Handle Kit Installation Instructions

STEP 2 IF42 and IF48 series refrigerators only: Install the four (4) handle mounting studs in the locations shown below. Use the fastener type selected in step 1. The stud spacing is 30" (76.2 cm).



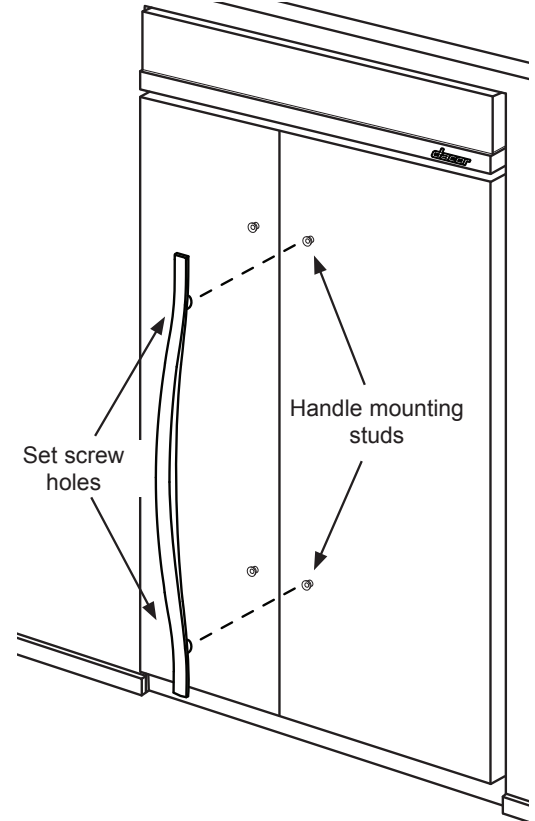
**Handle Mounting Stud Locations
IF42 and IF48 Series Models**

STEP 3 IF42 and IF48 series refrigerators only: Install the custom panels on the refrigerator doors according to the refrigerator installation instructions.

Refrigerator Handle Kit Installation Instructions

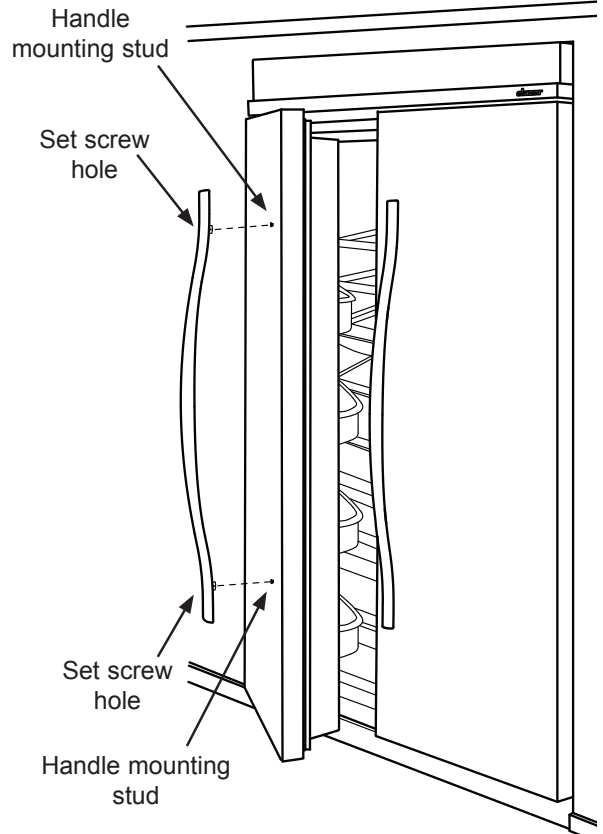
Right Handle Installation (All models)

- STEP 4** Mount one of the handles to the right door by sliding the holes on the back over the handle mounting studs on the right door. Make sure the set screw holes face toward the center of the refrigerator. Loosen the set screws with a 3/32" Allen wrench if necessary to allow the handle to slide into place.
- STEP 5** Carefully tighten the set screws into place using the 3/32" Allen wrench. Be careful not to scratch the finish.
- STEP 6** Check to make sure that the handle is firmly attached.



Left Handle Installation (All models)

- STEP 7** Mount the remaining handle to the left door with set screw holes toward the center of the refrigerator. Loosen the set screws if necessary to allow the handle to slide into place.
- STEP 8** Open the left door while holding the handle in place to prevent damage to the other handle during step 9.
- STEP 9** Carefully tighten the set screws into place using a 3/32" Allen wrench. Be careful not to scratch the finish.
- STEP 10** Check to make sure that the handle is firmly attached.



dacor[®]

The Life of the Kitchen.[®]