



# Bottom Freezer Refrigerators

**Safety Instructions** ..... 2, 3

**Operating Instructions**

Features ..... 4, 5  
Controls ..... 6-9  
Dispenser ..... 10  
Autofill ..... 11  
Water Filter ..... 12  
Fresh Food Storage Options ..... 13, 14  
Climate Zone & Temperature  
Controlled Drawer ..... 15, 16  
Freezer ..... 17  
Automatic Icemaker ..... 18  
Care and Cleaning ..... 19  
Replacing the Lights ..... 20

**Installation Instructions**

Preparing to Install the  
Refrigerator ..... 21, 22  
Installing the Refrigerator ..... 23-30  
Installing the Water Line ..... 31-33

**Troubleshooting Tips** ..... 35-36

Normal Operating Sounds ..... 34

**Consumer Support**

Warranty for U.S. Customers ..... 37  
State of California Water Treatment  
Device Certificate ..... 38  
Performance Data Sheet ..... 39  
RPWF Water Filter Cartridge Limited  
Warranty ..... 40  
Notes ..... 41  
Consumer Support ..... Back Cover

*Write the model and serial numbers here:*

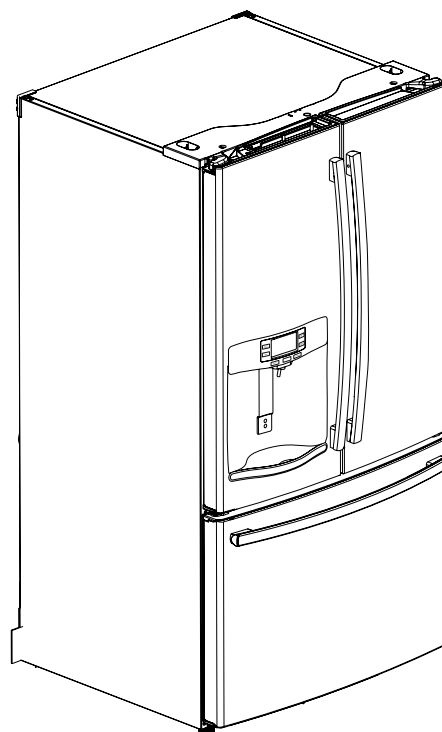
**Model #** \_\_\_\_\_

**Serial #** \_\_\_\_\_

Find these numbers on a label on the left side, near the middle of the refrigerator compartment.

**Owner's Manual and Installation Instructions**

GE and GE Profile™ models



# IMPORTANT SAFETY INFORMATION. READ ALL INSTRUCTIONS BEFORE USING.

## SAFETY

IMPORTANT SAFETY INFORMATION READ ALL INSTRUCTIONS BEFORE USING



*GE Appliances website*

For more information on your refrigerator's operation, visit  
[www.GEAppliances.com](http://www.GEAppliances.com)

### REFRIGERATOR SAFETY INFORMATION

**!** This is the safety alert symbol. This symbol alerts you to potential hazards that can kill or hurt you and others. All safety messages will follow the safety alert symbol and the word "DANGER", "WARNING", or "CAUTION". These words are defined as:

**! DANGER** Indicates a hazardous situation which, if not avoided, **will** result in death or serious injury.

**! WARNING** Indicates a hazardous situation which, if not avoided, **could** result in death or serious injury.

**! CAUTION** Indicates a hazardous situation which, if not avoided, **could** result in minor or moderate injury.

### IMPORTANT SAFETY INSTRUCTIONS

**! WARNING** To reduce the risk of fire, explosion, electric shock, or injury when using your refrigerator follow these basic safety precautions:

- This refrigerator must be properly installed and located in accordance with the Installation Instructions before it is used.
- Do not allow children to climb, stand or hang on the door handles or the shelves in the refrigerator. They could seriously injure themselves.
- Unplug the refrigerator before cleaning and making repairs.
- In refrigerators with automatic icemakers, avoid contact with the moving parts of the ejector mechanism, or with the heating element that releases the cubes. Do not place fingers or hands on the automatic icemaking mechanism while the refrigerator is plugged in.
- NOTE: Repairs must be performed by a qualified Service Professional.
- Do not clean glass shelves or covers with warm water when they are cold. Glass shelves and covers may break if exposed to sudden temperature changes or impact, such as bumping or dropping. Tempered glass is designed to shatter into many small pieces if it breaks.
- Replace all parts and panels before operating.
- Keep fingers out of the "pinch point" areas; clearances between the doors and between the doors and cabinet are necessarily small. Be careful closing doors when children are in the area.
- Because of potential safety hazards under certain conditions, we strongly recommend against the use of an extension cord. However, if you must use an extension cord, it is absolutely necessary that it be a UL-listed (in the United States) or a CSA certified (in Canada), 3-wire grounding type appliance extension cord having a grounding type plug and outlet and that the electrical rating of the cord be 15 amperes (minimum) and 120 volts.
- Do not touch the cold surfaces in the freezer compartment when hands are damp or wet, skin may stick to these extremely cold surfaces.
- To prevent suffocation and entrapment hazards to children, Remove the fresh food and freezer doors from any refrigerator before disposing of it or discontinuing its use.
- Do not refreeze frozen foods which have thawed completely.
- Do not store or use gasoline or other flammable vapors and liquids in the vicinity of this or any other appliance.
- Use a sturdy glass when dispensing ice (on models with ice dispenser)
- Power to the refrigerator cannot be disconnected by any setting on the control panel, refrigerator must be unplugged to remove power.

### INSTALLATION

**! WARNING**  **Explosion Hazard.**

Keep flammable materials and vapors, such as gasoline, away from refrigerator. Failure to do so can result in fire, explosion, or death.

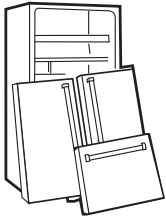
**SAFETY (CONT.)**

**PROPER DISPOSAL OF YOUR OLD REFRIGERATOR**

**⚠ WARNING Suffocation and child entrapment hazard.**

Remove fresh-food and freezer doors from the refrigerator, prior to disposal. Failure to do so can result in child entrapment which can lead to death or brain damage.

**IMPORTANT:**



Child entrapment and suffocation are not problems of the past. Junked or abandoned refrigerators are still dangerous even if they will sit for “just a few days.” If you are getting rid of your old refrigerator, please follow the instructions below to help prevent accidents.

**Before You Throw Away Your Old Refrigerator or Freezer:**

- Take off the fresh food and freezer doors.
- Leave the shelves in place so that children may not easily climb inside.

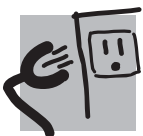
**Refrigerants**

All refrigeration products contain refrigerants, which under federal law must be removed prior to product disposal. If you are getting rid of an old refrigeration product, check with the company handling the disposal about what to do.

**CONNECTING ELECTRICITY**

**⚠ WARNING ⚡ Electrical Shock Hazard.**

Plug into a grounded 3-prong outlet  
 Do not remove the ground prong  
 Do not use an adapter  
 Failure to follow these instructions can result in death, fire, or electrical shock.



**Do not, under any circumstances, cut or remove the third (ground) prong from the power cord. For personal safety, this appliance must be properly grounded.**

The power cord of this appliance is equipped with a 3-prong (grounding) plug which mates with a standard 3-prong (grounding) wall outlet to minimize the possibility of electric shock hazard from this appliance.

Have the wall outlet and circuit checked by a qualified electrician to make sure the outlet is properly grounded.

Where a standard 2-prong wall outlet is encountered, it is your personal responsibility and obligation to have it replaced with a properly grounded 3-prong wall outlet. Do not use an adapter.

The refrigerator should always be plugged into its own individual electrical outlet which has a voltage rating that matches the rating plate.

A 115 Volt AC, 60 Hz, 15- or 20-amp fused, grounded electrical supply is required.

This provides the best performance and also prevents overloading

house wiring circuits which could cause a fire hazard from overheated wires.

Never unplug your refrigerator by pulling on the power cord. Always grip plug firmly and pull straight out from the outlet.

Repair or replace immediately all power cords that have become frayed or otherwise damaged. Do not use a cord that shows cracks or abrasion damage along its length or at either end.

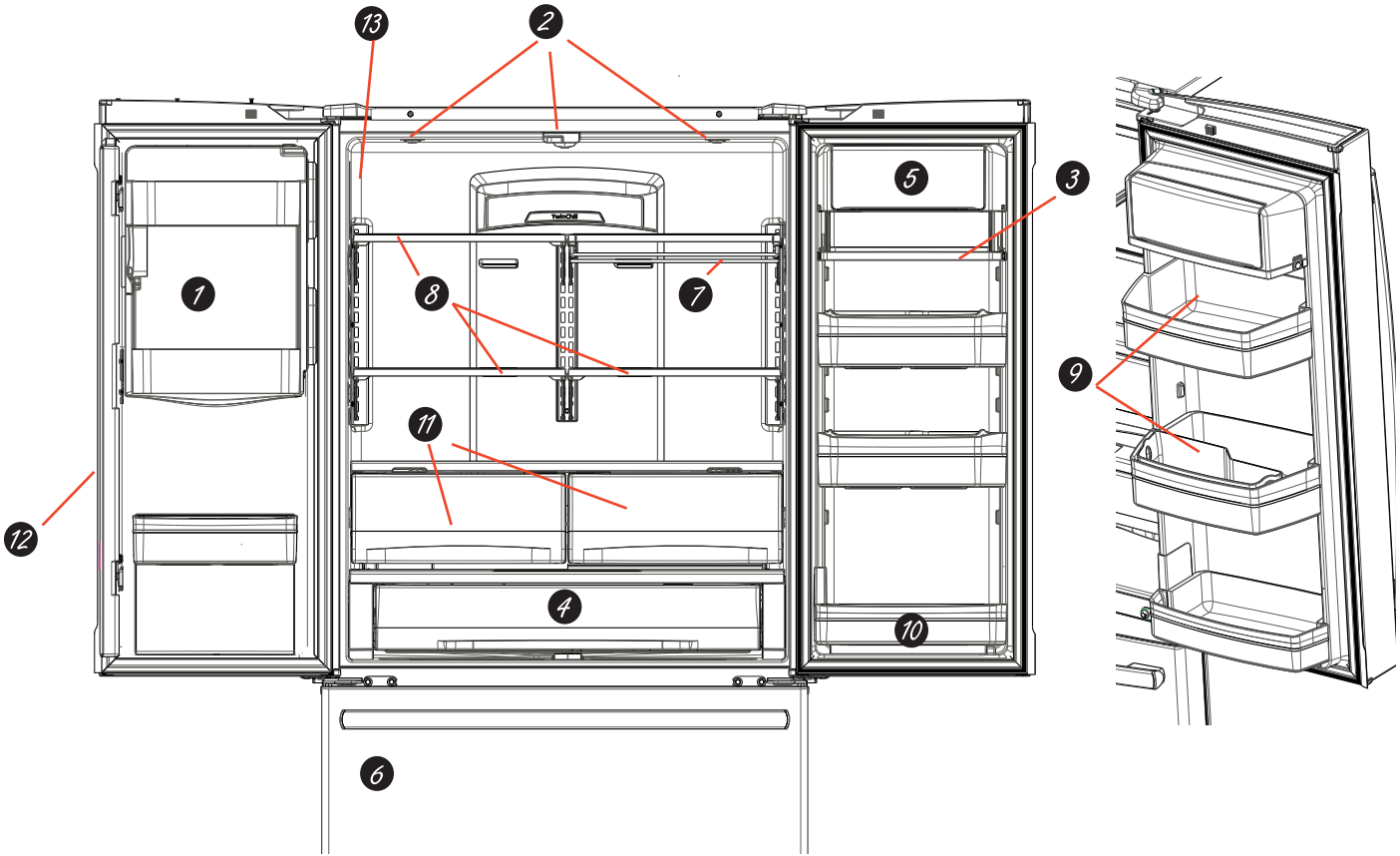
When moving the refrigerator away from the wall, be careful not to roll over or damage the power cord.



**READ AND FOLLOW THIS SAFETY INFORMATION CAREFULLY.**

**SAVE THESE INSTRUCTIONS**

# About the features \*



**1 Space-saving icemaker**

Icemaker and bin are located on the door creating more usable storage space.

**2 Showcase LED lighting**

LED lighting is positioned throughout the interior to spotlight areas in the refrigerator. LEDs are located under the fresh food door to light the freezer when opened.

**3 Drop-down tray (on some models)**

Allows for extra door storage when you need it and tucks away when you don't.

**4 Full-width temperature controlled drawer (on some models)**

Adjustable temperature control bin that can accommodate larger items.

**5 Dairy bin**

Separate compartment for your items.

**6 Dual icemaker/utility bin (on some models)**

An icemaker in both compartments gives you more ice whenever you need it or a utility bin designed for flexible storage.

**7 QuickSpace™ shelf**

Functions as a normal full-sized shelf when needed and easily slides back to store tall items below.

**8 Spillproof shelves**

Designed to capture your spills for easier clean up.

**9 Removable condiment bin**

Separate bin designed for easy removal and storage.

**10 Removable door bin**

Can be removed for those with a wall limiting the door opening.

**11 Climate zone bin**

Separate bins for produce storage.

**12 In-the-door filter (select models)**

Located in the door for more available space in the fresh-food section and easy replacement.

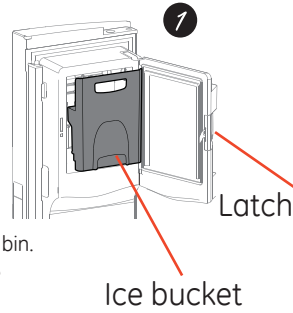
**13 Water filter (select models)**

Filters water & Ice

# About the features \*

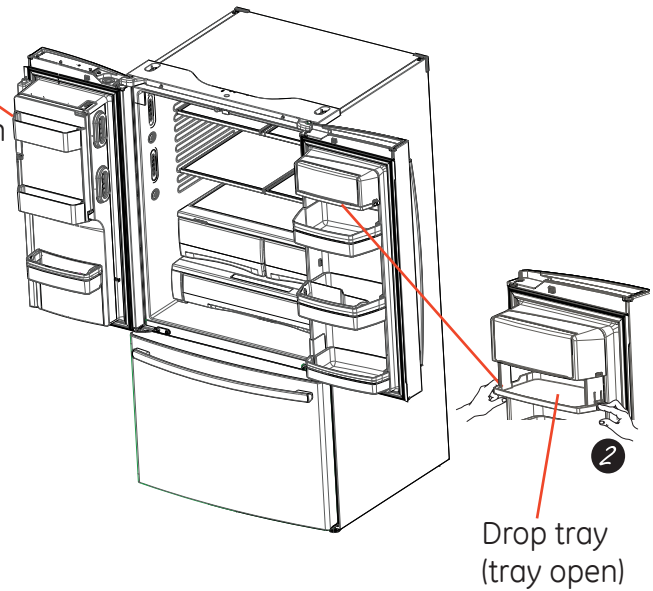
## 1 Door ice bin

1. Open left fresh food door.
2. Pull down latch to release bin door.
3. Using handhold lift ice bucket up and out to clear locators in bottom of bin.
4. To replace the ice bucket, set it on the guide brackets and push until the ice bucket seats properly.
5. If bucket cannot be replaced, rotate the Ice Bucket Fork 1/4 turn clockwise.



## 2 Drop down dairy bin

1. Open right fresh food
2. Depress both buttons on lower sides and bin will drop down.
3. Reverse to reinstall.



## 3 Door ice/water filter

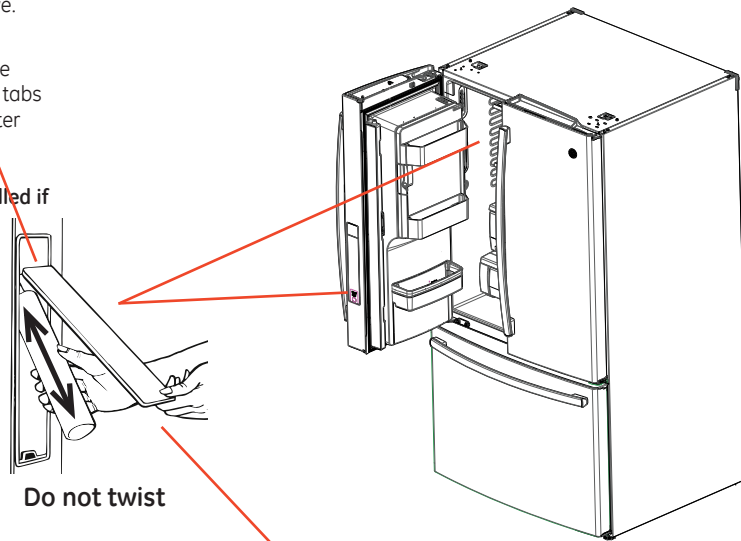
### Remove filter/bypass plug

1. Push the indent on the cover and open filter door. Pull up on filter/bypass plug and pull straight out to remove.

### Installing the filter cartridge

1. Push the indent at the bottom of the cover and open. Lift door and align tabs on filter to filter/holder and push filter into place.

Filter cover is designed to be reinstalled if accidentally removed

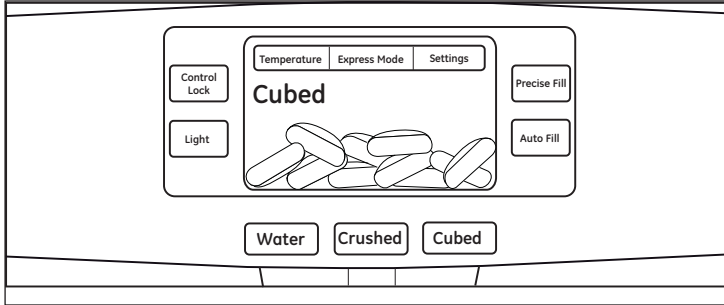


3

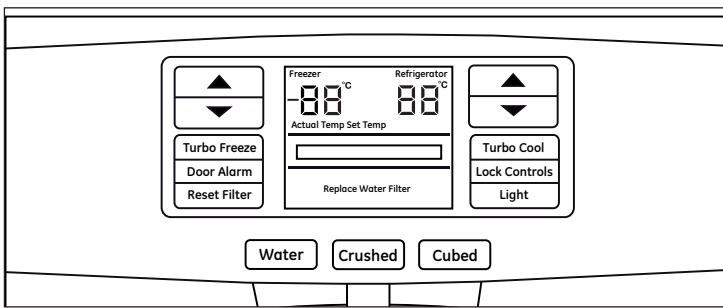
Water & Ice Filter (in door or case)

# About the controls with temperature settings.

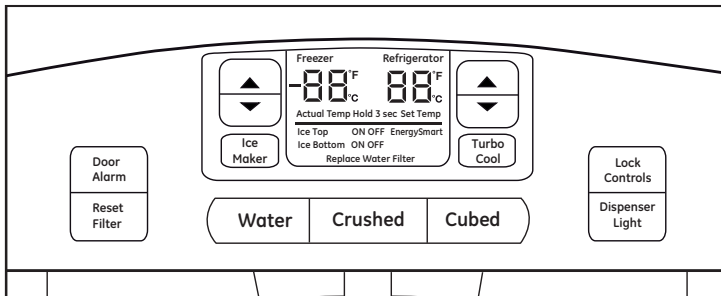
PFE29 Control Style A, LCD External Control



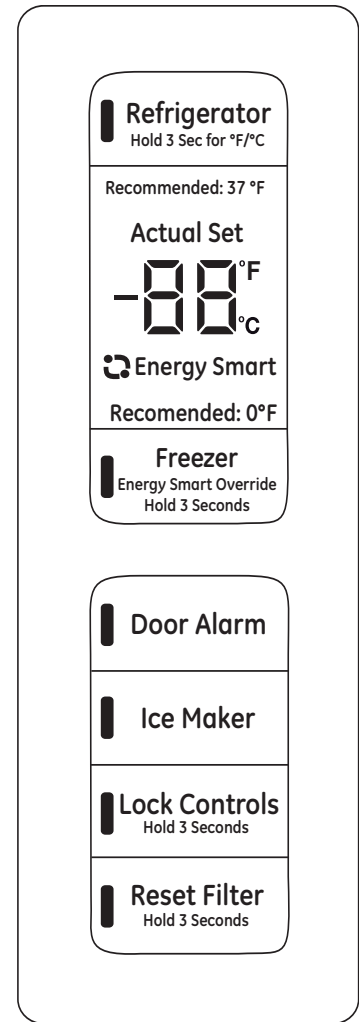
PFE27 Control Style B, LCD External Control



GFE29/27 DFE29 Control Style C, External Control



GNE26 Control Style D, Internal Control (on some models)



NOTE: The refrigerator is shipped with protective film covering the temperature controls. If this film was not removed during installation, remove it now.

The temperature controls are preset in the factory at 37°F for the refrigerator compartment and 0°F for the freezer compartment. Allow 24 hours for the temperature to stabilize to the preset recommended settings.

The temperature controls can display both the SET temperature as well as the actual temperature in the refrigerator and freezer. The actual temperature may vary slightly from the SET temperature based on usage and operating environment.

# About the controls with temperature settings.

---

## Changing the Temperature for Control Style A

**To Change the Refrigerator Temperature:**

**Access By:** Temperature Button 

**Activate By:** Below the word "Refrigerator", use the arrows to select the desired temperature. Press **DONE** when finished to return to **HOME** screen.

**To Change the Freezer Temperature:**

**Access By:** Temperature Button 

**Activate By:** Below the word "Freezer", use the arrows to select the desired temperature.

Press **DONE** when finished to return to **HOME** screen.

---



To turn **OFF** cooling system, access **SETTINGS** from the **HOME** screen. Page over and tap **COOLING SYSTEM ON**. Press **DONE** to return to **HOME** screen.


To turn **ON** cooling system, access **SETTINGS** from the **HOME** screen. Page over and tap **COOLING SYSTEM OFF**. Press **DONE** to return to **HOME** screen.

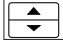
Turning the cooling system off stops the cooling to refrigerator, but it does not shut off the electrical power.

---

## Changing the Temperature for Control Style B



**To change the temperature**, press and release the  pad. The **ACTUAL TEMP** light will come on and the display will show the actual temperature. To change the temperature, tap either the  pad until the desired temperature is displayed.


To turn **OFF** cooling system, press and hold the Freezer  pads simultaneously for 3 seconds. When the cooling system is **OFF** the display should read **OFF**.


To turn **ON** cooling system, press either  pad. The display will show **ON** and then the actual temperature for the refrigerator and the freezer. Turning the cooling system **OFF** stops the cooling to the refrigerator, but it does not shut **OFF** the electrical power.

---

## Changing the Temperature for Control Style C

**To change the temperature**, press and release the  pad. The **ACTUAL TEMP** light will come on and the display will show the actual temperature. To change the temperature, tap either the  pad until the desired temperature is displayed.

To turn **OFF** cooling system, press and hold the Freezer  pads simultaneously for 3 seconds. When the cooling system is **OFF** the display should read **OFF**.

To turn **ON** cooling system, press either  pad. The display will show the preset temperature settings of **37°F** for refrigerator and **0°F** for freezer. Turning the cooling system off stops the cooling to refrigerator, but it does not shut off the electrical power.

---

## Changing Temp. for Control Style D

Temperature Display is located on inside of left-hand refrigerator door. **To change the temperature**, press and release the **REFRIGERATOR** or **FREEZER** pad. The **ACTUAL TEMP** light will come on and the display will show the actual temperature. To change the temperature, tap either the **REFRIGERATOR** or **FREEZER** pad until the desired temperature is displayed.

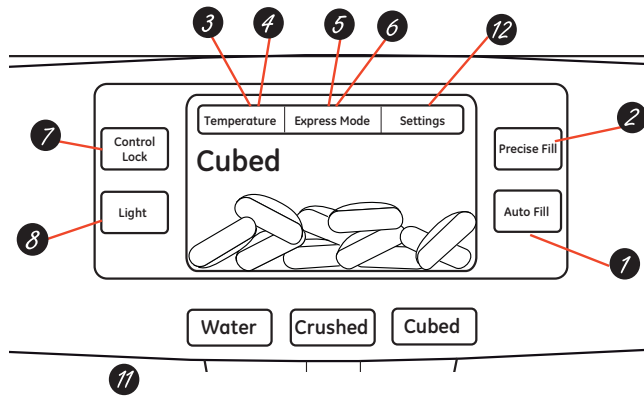
To turn **OFF** cooling system, press and hold the **REFRIGERATOR** and **FREEZER** pads simultaneously for 3 seconds. When the cooling system is **OFF** the display should read **OFF**.

To turn **ON** cooling system, press either **REFRIGERATOR** or **FREEZER** pad. The display will show the preset temperature settings of **37°F** for refrigerator and **0°F** for freezer. Turning the cooling system off stops the cooling to refrigerator, but it does not shut off the electrical power.

---

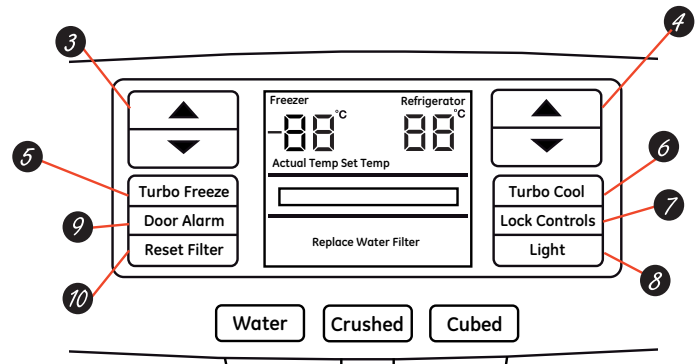
# About the controls - features (on some models)

## Control Style A, External Controls PFE29

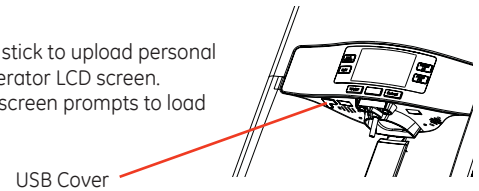


- 1 Hands-free Autofill**  
Hands-free Autofill uses sensors to monitor container height to automatically dispense filtered water without having to activate the paddle.
- 2 PreciseFill setting**  
Precisely dispenses filtered water in accurate measurements in ounces, cups, quarts, or liters using paddle.
- 3 Refrigerator temp control**  
Adjust freezer compartment temperature.
- 4 Fresh food temp control**  
Adjust fresh food compartment temperature.
- 5 TurboFreeze™ setting**  
Activate TurboFreeze to quickly restore freezer temperatures after frequent door openings.
- 6 TurboCool™ setting**  
Activate TurboCool to quickly restore fresh food temperature after frequent door openings.
- 7 Lock controls**  
Press and hold 3 seconds to lock out ice and water dispenser and all feature and temperature buttons.
- 8 LED dispenser light**  
LED lighting that can be turned on/off to light your dispenser.

## Control Style B, External Controls PFE27



- 9 Alarm**  
Sounds to alert when the freezer or fresh food doors have been left open.
- 10 Reset filter**  
Press and hold for 3 seconds after replacing the filter.
- 11 Photo upload**  
Insert USB memory stick to upload personal photos to the refrigerator LCD screen. LCD will provide on screen prompts to load and view slideshow.
- 12 Additional settings:**
  - Connected Home ready
  - Slideshow
  - Reset filter
  - Ice maker on/off
  - Door alarm
  - Sound control
  - Cooling system On/Off
  - Metric/English units



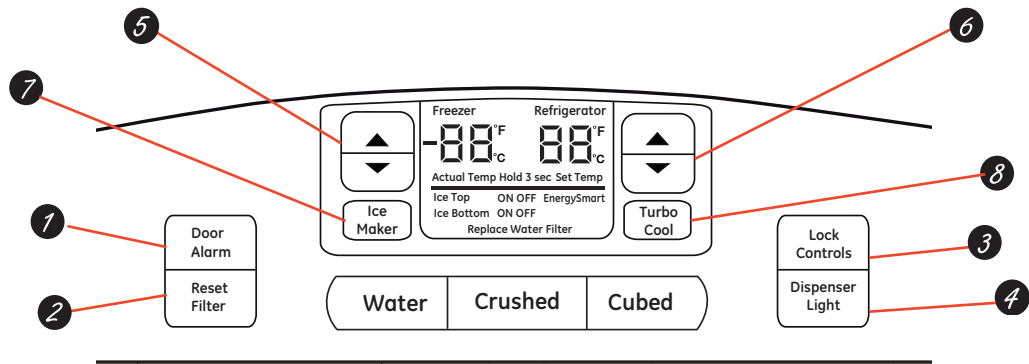
### Additional Modes

- Sabbath Mode**  
Press and hold lock & light simultaneously for 3 seconds to enter/exit Sabbath mode. Activate Sabbath Mode to turn off interior lights, temperature control and advanced features. Compressor will run on a timed defrost when in Sabbath mode.

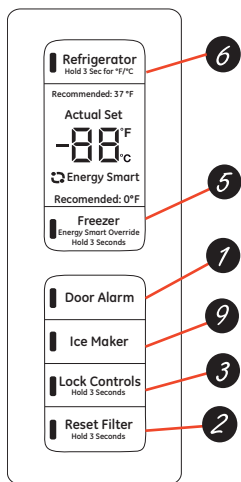


# About the controls - features (on some models)

**Control Style C, External Controls** GFE27/GFE29  
DFE27/DFE29



**Controls Style D, Internal Controls** GNE26

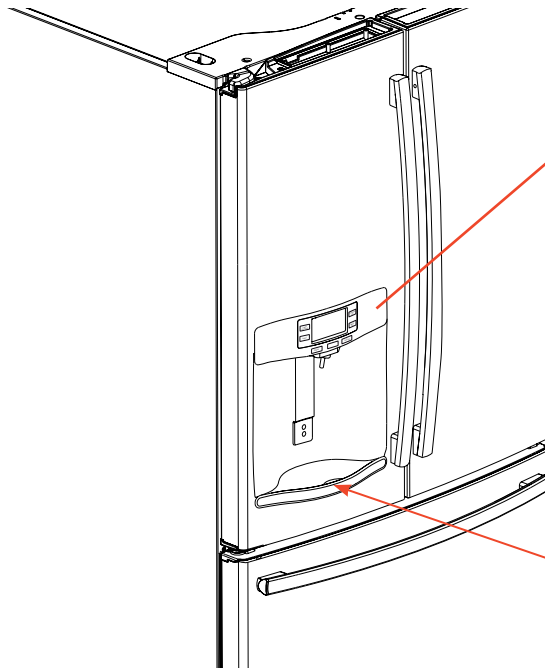


- 1 Alarm**  
Sounds to alert when the freezer or fresh food doors have been left open.
- 2 Reset Filter**  
Hold for 3 seconds after replacing filter.
- 3 Lock Controls**  
Press and hold 3 seconds to lock out ice and water dispenser and all feature and temperature buttons.
- 4 LED dispenser light**  
LED lighting that can be turned on/off to light your dispenser.

- 5 Freezer temp control**  
Adjust freezer compartment temperature
- 6 Refrigerator temp control**  
Adjust fresh food compartment temperature
- 7 Dual Ice maker control** (select models)  
Turn your ice makers on/off.
- 8 TurboCool™ setting**  
Activate TurboCool to quickly restore refrigerator temperature after frequent door openings.
- 9 Ice maker setting**  
Turn your ice makers on/off.

## About the dispenser

---



### Water & Ice Dispenser

(See about the controls with Temperature settings & about the Control features)

Dispenser Tray

#### To remove Dispenser Tray

- Pull Dispenser Tray out until it stops.
- Locate tab in the center on the bottom and push in.
- Pull Dispenser Tray assembly out.
- Lift metal Dispenser Tray out at center notch to clean.

#### To reinstall Dispenser Tray

- Place the Dispenser Tray cover on top of catch tray and position under the two plastic retainers on either side.
- Center Dispenser tray, and align with center guides.
- Push in until it firmly in place.

If no water is dispensed when the refrigerator is first installed, there may be air in the water line system. Press the dispenser paddle for at least two minutes to remove trapped air from the water line and to fill the water system. To flush out impurities in the water line, throw away the first six full glasses of water.

**⚠ CAUTION:** Never put fingers or any other objects into the ice crusher discharge opening.

---

### Important Facts About Your Dispenser

- Do not add ice from trays or bags to the door icemaker bucket. It may not crush or dispense.
- Avoid overfilling glass with ice and use of narrow glasses. Backed-up ice can jam the chute or cause the door in the chute to freeze shut. If ice is blocking the chute remove the ice bucket, poke it through with a wooden spoon.
- Beverages and foods should not be quick-chilled in the door icemaker bin. Cans, bottles or food packages in the storage drawer may cause the icemaker or auger to jam.
- To keep dispensed ice from missing the glass, put the glass close to, but not touching, the dispenser opening.
- Some crushed ice may be dispensed even though you selected **CUBED ICE**. This happens occasionally when a few cubes accidentally get directed to the crusher.
- After crushed ice is dispensed, some water may drip from the chute.
- Sometimes a small mound of snow will form on the door in the ice chute. This condition is normal and usually occurs when you have dispensed crushed ice repeatedly. The snow will eventually evaporate.

# About autofill.

---

## To Use HANDS FREE AUTO FILL:

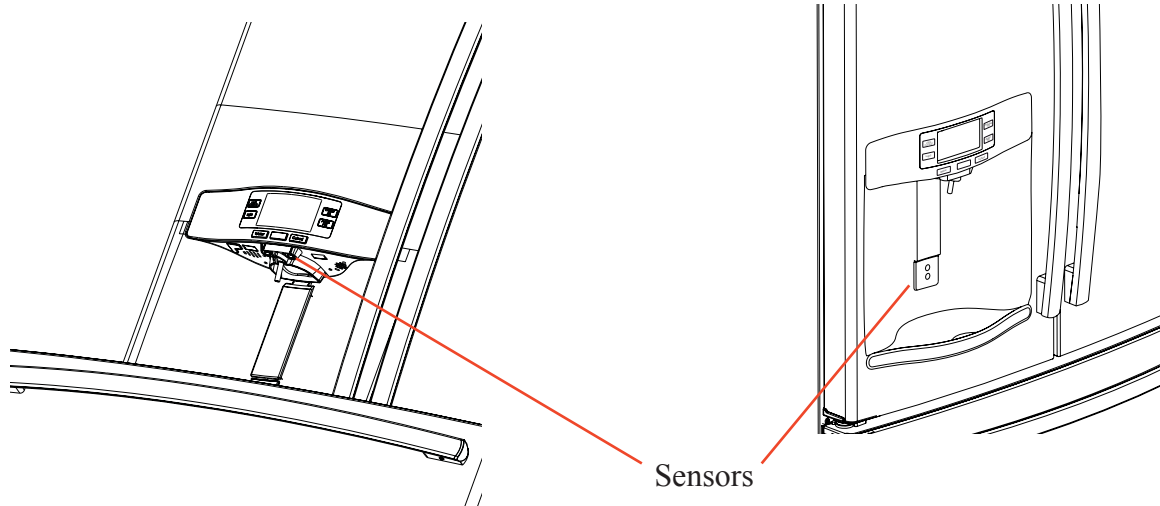
- Center container on Recess Dispenser Tray (not touching bottom sensors) and remove hand from container
- Press AUTO FILL

## To Stop AUTO FILL

- Press CANCEL, to resume filling press AUTO FILL.

## Important Facts about AUTO FILL

- For optimum results, use a uniform container between 4-8" tall and 2-6" wide. Container should be as tall as the bottom sensors.
- Container shape, fill level and functionality may vary on containers taller than 8".
- Container volumes may vary, if error message "Container Not Found" is given, try a different container.
- AUTO FILL will time out.
- Handles and garnishes on the rim of the container may cause overflowing or variation in fill volumes.
- Splashing may occur depending on the location of the container, water flow rate, container shape, and ice cubes.
- Keep sensors clean with a clean damp cloth, and do not spray liquid or cleaners directly on sensors
- AUTO FILL works best with household water pressure of 60 to 100 psi.



## Water Filter Cartridge

The water filter cartridge is located in one of the following places:

Bottom-freezer (BF) refrigerators:

- In the left-hand fresh food door (recessed in the door flange).
- In the fresh food interior on the left side wall, near the top.

Side-by-side (SxS) refrigerators:

- In the bottom of the fresh food compartment. Access the filter using the flip cover without moving the vegetable pan. (Note: May have to move the pan to access in counter-depth models)

## When to replace the filter cartridge

The filter cartridge should be replaced **every six months** or earlier if the flow of water to the dispenser or icemaker decreases.

**Touch Screen Models:** A filter status message will appear on the screen when the water filter needs to be replaced. The filter status message must be reset manually.

The "Water Filter: Replace" status message can be reset by entering the Settings menu from the home screen. Then, select the Water Filter menu and press the RESET button. This will reset the filter status.

**Non-touch Screen Models:** A filter indicator message will illuminate in the screen when the water filter needs to be replaced. This light must be reset by pressing and holding the Reset Filter button for three seconds.

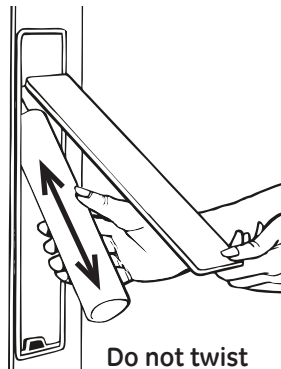
The filter cartridge has an expected life of six months and should be replaced when indicated by the filter indicator on the refrigerator, or sooner if a significant reduction in flow occurs.

## Removing the filter cartridge

To replace the filter, first remove the old cartridge by gently lifting the filter away from housing until first release, then lift again to remove.

**DO NOT TWIST.** A small amount of water may drip out.

## Installing the Filter Cartridge



1. Align top of filter with cartridge holder and push until cartridge is fully seated.
2. While continuing to ensure cartridge is fully seated in the holder, gently rotate the filter (inward for BF models or downward for SxS models) until it can no longer rotate. If rotation is difficult, check to ensure filter is properly aligned and fully seated within the holder.
3. Run water from the dispenser (approx. 2 gallons or about 5 minutes) to clear any particles and remove air from the system.
4. Reset Filter Status.

**Touch Screen Models:** Access RESET button through the Water Filter menu.

**Non-touch Screen Models:** Press and hold the Reset Filter button for three seconds.

**Note:** A newly installed water filter cartridge may cause water to spurt from the dispenser during the first 5 minutes of operation. Use a large pitcher or sports bottle to catch the water spray.

**Note:** It is normal for water to appear discolored during the initial system flush. Water color will return to normal after first few minutes of dispensing.

## Filter Bypass Plug

To reduce the risk of property damage due to water leakage, you **MUST** use the filter bypass plug when a replacement filter cartridge is not available. The dispenser and icemaker will not operate without either the filter or bypass plug installed. The bypass plug is installed in the same way as a filter cartridge.

## ⚠ WARNING

**To reduce the risk associated with choking, do not allow children under 3 years of age to have access to small parts during the installation of this product.** The disposable filter cartridge should be replaced every 6 months at the rated capacity, or sooner if a noticeable reduction in flow rate occurs.

For the maximum benefit of your filtration system, GE recommends the use of GE-branded filters only. Using GE-branded filters in GE and Hotpoint® refrigerators provides optimal performance and reliability. GE filters meet rigorous industry NSF standards for safety and quality that are important for products that are filtering your water. GE has not qualified non-GE-branded filters for use in GE and Hotpoint refrigerators and there is no assurance that non-GE-branded filters meet GE's standards for quality, performance and reliability.

**If you have questions, or to order additional filter cartridges, visit our website at [www.geapplianceparts.com](http://www.geapplianceparts.com) or call GE Parts and Accessories, 800.626.2002.**

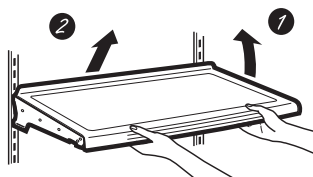
Customers in Canada should consult the yellow pages for the nearest Camco Service Center.

## About the fresh food storage options.

---

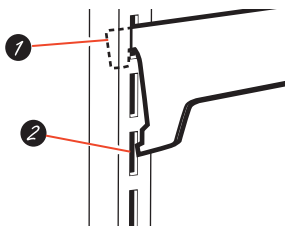
### Rearranging the Shelves

Shelves in the refrigerator compartment are adjustable.



To remove:

- 1 Remove all items from the shelf.
- 2 Tilt the shelf up at the front.
- 3 Lift the shelf up at the back and bring the shelf out.



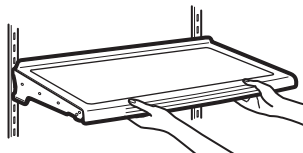
To replace:

- 1 While tilting the shelf up, insert the top hook at the back of the shelf in a slot on the track.
- 2 Lower the front of the shelf until the bottom of the shelf locks into place.

---

### Spillproof Shelves

Spillproof shelves have special edges to help prevent spills from dripping to lower shelves.



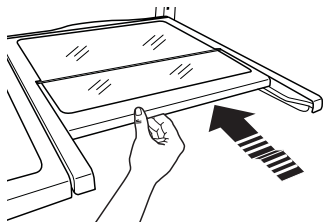
---

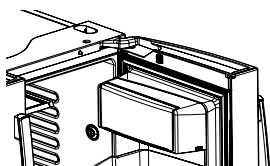
### Quick Space Shelf

This shelf splits in half and slides under itself for storage of tall items on the shelf below.

This shelf can be removed and replaced or relocated (just like spillproof shelves).

NOTE: The location of the upper Quick Space Shelf is not adjustable.

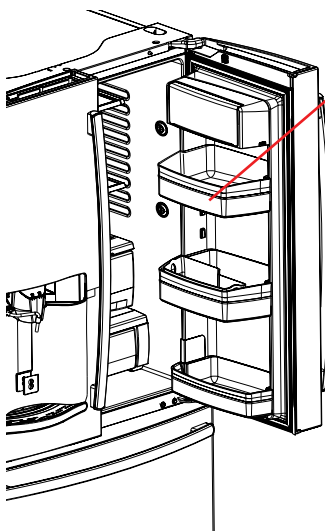




### Non-Adjustable Dairy Bin

To remove: Lift the dairy bin straight up, then pull out.

To replace: Engage the bin in the molded door supports and push down. The bin will lock in place.

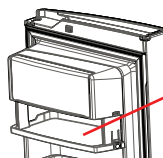


### Adjustable Bins on the Door

Adjustable bins can easily be carried from refrigerator to work area.

To remove: Lift bin straight up, then pull out.

To replace or relocate: Slide in the bin just above the molded door supports, and push down. The bin will lock in place.



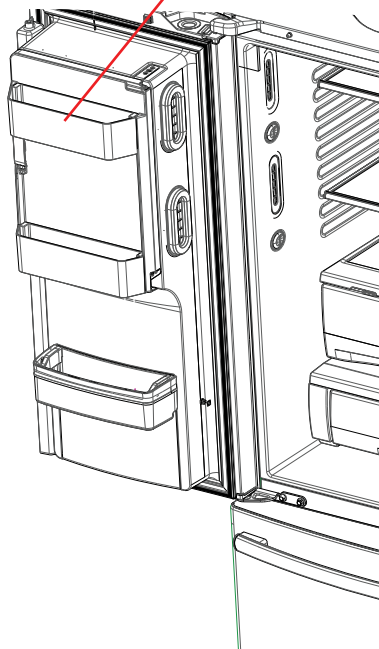
### Drop down tray \* (tray open)

1. Open right fresh food
2. Depress both buttons on lower sides of bin and bin will drop down.
3. Reverse to reinstall.

### Non-Adjustable Bins on the Door (can be tilted)

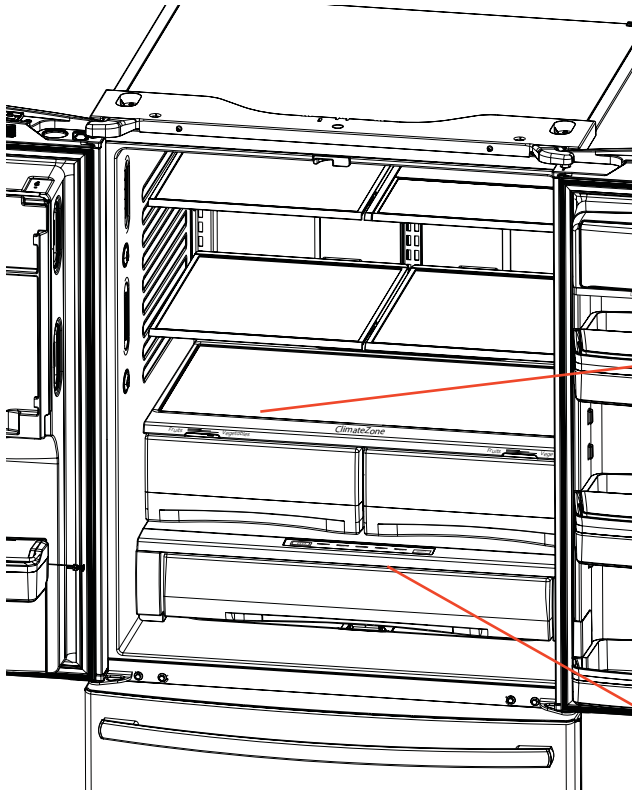
To remove: Lift the bin straight up, then pull out.

To replace: Engage the bin in the molded supports on the door and push down. It will lock in place.



The icemaker door bins are not interchangeable, note the location upon removal and replace the bin in its proper location.

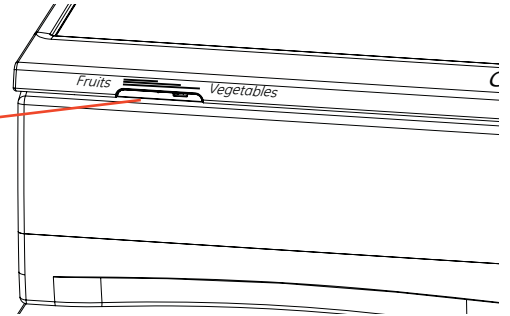
# About the climate zone and temperature controlled drawer.



## ClimateZone

Keep fruits and vegetables organized in separate compartments for easy access.

Excess water that may accumulate in the bottom of the drawers or under the drawers should be wiped dry.



## Temperature Controlled Drawer

(on some models)

The temperature controlled Drawer is a full-width drawer with adjustable temperature control. This drawer can be used for large miscellaneous items.

To change setting, press select button.

Note: when fresh food temperature is set to 40° or higher, temperature controlled drawer can only be set to citrus.



32° 34° 36° 38° 40°

**CAUTION:** Do not store glass bottles at this setting. If they are frozen, they can break and cause personal injury.

# About the climatezone and temperature controlled drawer.

---

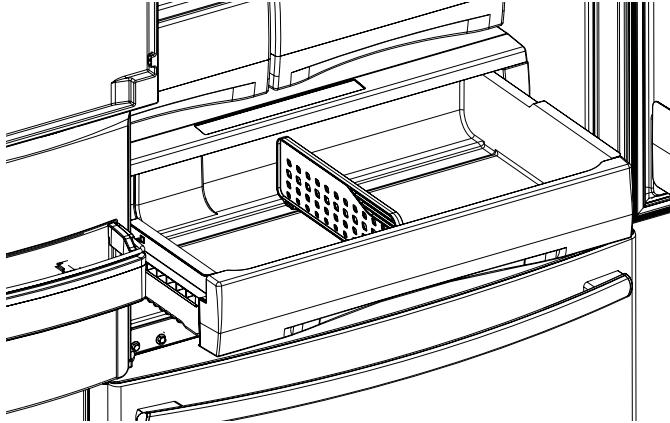
## How to Remove and Replace the Adjustable Deli/Produce Drawer

### To remove:

- 1 Pull the drawer out to the stop position.
- 2 Lift the front of the drawer up and out.

### To replace:

- 1 Pull left and right slides until fully extended.
- 2 Place drawer back in first and rotate drawer front down to seat on slide.
- 3 Push the drawer in to closed position.



---

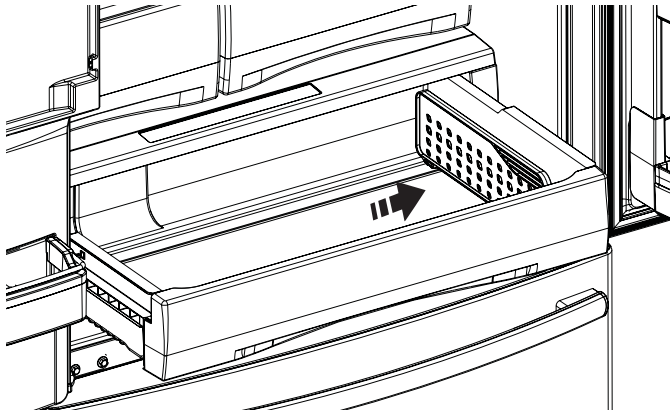
## How to Remove and Replace Drawer Divider

### To remove:

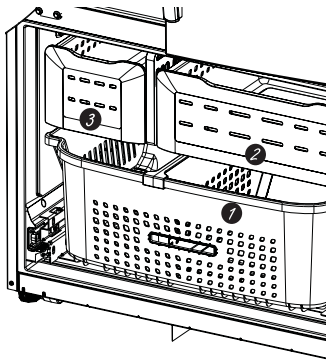
- 1 Pull the drawer out to the stop position.
- 2 Raise the front side of the divider to unhook it from the rear wall of the drawer.

### To replace:

- 1 Hook the back of the divider over the rear wall of the drawer.
- 2 Push the divider down.

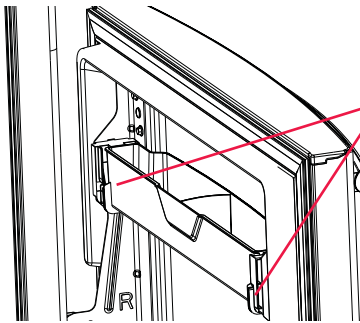






## Freezer Basket and Drawer

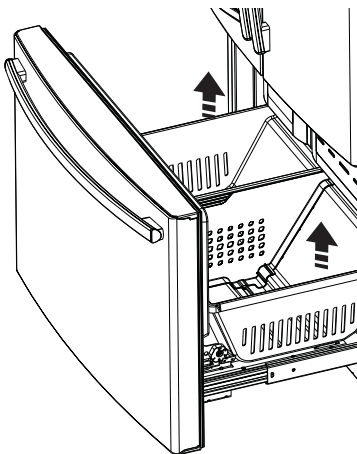
- 1 Basket.
- 2 Drawer
- 3 Utility Bin / Ice Bucket



## Non-Adjustable Bin in the Freezer

**To remove:** push in plastic tab on either left or right side

**To replace:** slide bin into location until it locks into place.



## Basket Removal

**To remove:**

- 1 Remove freezer door bin by pushing plastic tab on either left or right side to release bin hinge pin.
- 2 Pull basket out to the stop position.
- 3 Remove freezer basket by lifting up the rear of the basket and moving basket rearward until the front of the basket can be rotated upward and out.
- 4 Lift it out to remove.

**To replace:**

- 1 Reverse step 1 thru 4 to replace.

## Basket Divider Removal/ Adjustment

**To remove:**

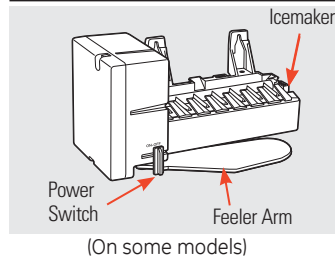
- 1 Pull basket out of the stop position.
- 2 Tilt up the rear of the bin.
- 3 Lift it out to remove.
- 4 Remove divider screw.

**To replace:**

- 1 Hook the top corners of the divider over the hole of the basket.
- 2 Reinstall divider bottom screw.

# About the automatic icemaker.

A newly installed refrigerator may take 12 to 24 hours to begin making ice.



(On some models)

**Automatic Icemaker (on some models)**  
The icemaker will produce seven cubes per cycle approximately 100–130 cubes in a 24-hour period, depending on freezer compartment temperature, room temperature, number of door openings and other use conditions.

See below for how to access ice and reach the power switch.

If the refrigerator is operated before the water connection is made to the icemaker, set the power switch in the **O** (off) position or turn icemaker off on control panel.

When the refrigerator has been connected to the water supply, set the power switch to the **I** (on) position. The icemaker power light will turn green when the freezer light switch is pressed in or when the freezer door is closed.

The icemaker will fill with water when it cools to 15°F (-10°C). A newly installed refrigerator may take 12 to 24 hours to begin making ice cubes.

You may hear a buzzing sound each time the icemaker fills with water.

Throw away the first few batches of ice to allow the water line to clear.

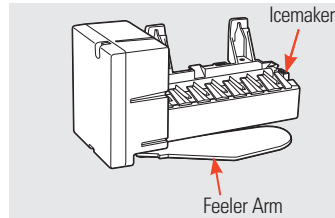
Be sure nothing interferes with the sweep of the feeler arm.

When the bin fills to the level of the feeler arm, the icemaker will stop producing ice. It is normal for several cubes to be joined together.

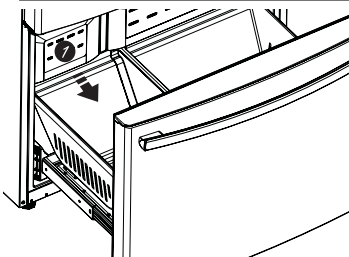
If ice is not used frequently, old ice cubes will become cloudy, taste stale and shrink.

**NOTE:** In homes with lower-than-average water pressure, you may hear the icemaker cycle multiple times when making one batch of ice.

**NOTE:** Set the power switch on ice maker or control panel to **O** (off) position if the water supply is shut off.



(On some models)



## Accessing Ice (on some models)

Open the freezer drawer and pull forward the ice bucket. The Ice bucket is on the left side below the mullion.

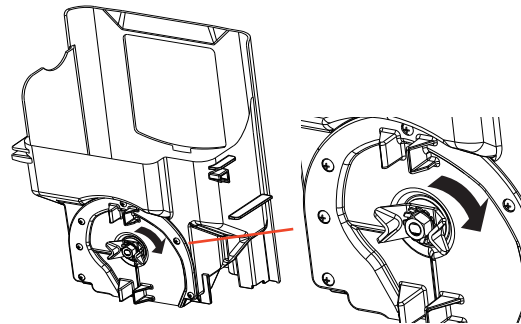
⑦ Ice bucket

## Ice Bucket and Dispenser

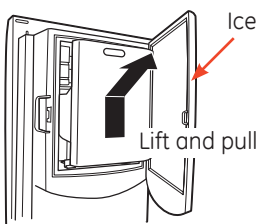
- Pull up and out on the ice bucket to remove it from the compartment.
- To replace the ice bucket, set it on the guide brackets and push until the ice bucket seats properly.
- If bucket cannot be replaced, rotate the Ice Bucket Fork 1/4 turn clockwise.

## Extra Ice Storage

- There is additional ice storage in the freezer compartment drawer.



## Ice Box Door



To reach the power switch.

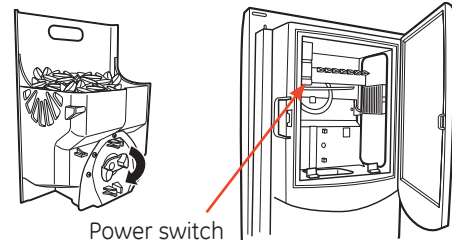
## Accessing Ice and Reaching the Power Switch (Ice and water models)

**To access ice:** open the Ice box door located on the refrigerator door and remove the bucket.

### To reach the icemaker power switch:

To access the icemaker power switch remove the ice bucket (PFE27 models only).

All other models use control (p.18).



## **Cleaning the Outside**

### **The stainless steel panels, door handles and trim.**

Do not use appliance wax, polish, bleach, or other products containing chlorine on stainless steel. Stainless steel (on some models) can be cleaned with a commercially available stainless steel cleaner. A spray-on stainless steel cleaner works best.

### **Silver-accented plastic parts.**

Wash parts with soap or other mild detergents. Wipe clean with a sponge, damp cloth or paper towel.

Do not use scouring pads, powdered cleaners, bleach or cleaners containing bleach because these products can scratch and weaken the paint finish.

**Should spill tray need cleaning use lime remover.**

---

## **Cleaning the Inside**

**To help prevent odors,** leave an open box of baking soda in the refrigerator and freezer compartments.

### **Unplug the refrigerator before cleaning.**

If this is not practical, wring excess moisture out of sponge or cloth when cleaning around switches, lights or controls.

Use an appliance wax polish on the inside surface between the doors.

Use warm water and baking soda solution—about a tablespoon (15 ml) of baking soda to a quart (1 liter) of water.

This both cleans and neutralizes odors.

Rinse and wipe dry.

---

## **Behind the Refrigerator**

Be careful when moving the refrigerator away from the wall. All types of floor coverings can be damaged, particularly cushioned coverings and those with embossed surfaces.

Raise the leveling legs located at the bottom front of the refrigerator.

Pull the refrigerator straight out and return it to position by pushing it straight in. Moving the refrigerator in a side direction may result in damage to the floor covering or refrigerator.

Lower the leveling legs until they touch the floor.

**When pushing the refrigerator back, make sure you don't roll over the power cord or water supply line.**

---

## **Preparing for Vacation**

For long vacations or absences, remove food and unplug the refrigerator. Clean the interior with a baking soda solution of one tablespoon (15 ml) of baking soda to one quart (1 liter) of water. Leave the doors open.

**Non-LCD Models:** Turn the icemaker switch to off (pg. 18) and shut off the water supply to the refrigerator.

**LCD Models:** turn refrigerator off at control (pg 7).

If the temperature can drop below freezing, have a qualified service technician drain the water supply system to prevent serious property damage due to flooding.

- 1) Turn refrigerator off (pg. 7) or unplug the refrigerator.
- 2) Empty ice bucket
- 3) Turn water supply off

**If you cut the water supply off, turn off the icemaker (pg. 18)**

---

## **Preparing to Move**

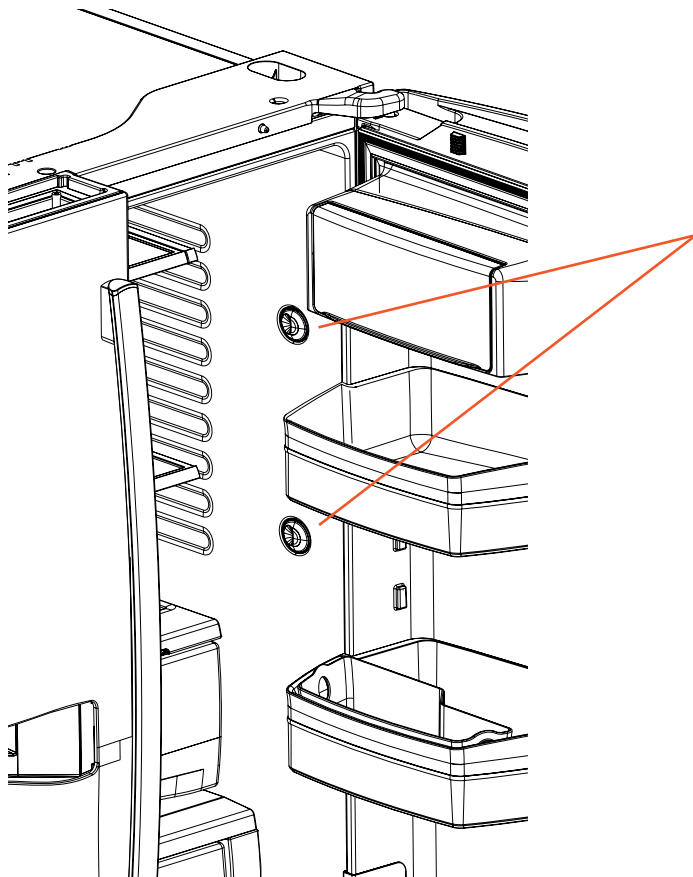
Secure all loose items such as shelves and drawers by taping them securely in place to prevent damage.

When using a hand truck to move the refrigerator, do not rest the front or back of the refrigerator against the hand truck. This could damage the refrigerator.

Handle only from the sides of the refrigerator.

*Be sure the refrigerator stays in an upright position during moving.*

## Refrigerator Lights (LEDs)



There is LED lighting in fresh food compartment and on the bottom of the fresh food doors to light the freezer compartment (on some models).

An authorized technician will need to replace the LED light.

If this assembly needs to be replaced, call GE Service at 1.800.432.2737 in the United States or 1.800.561.3344 in Canada.

# Installation Instructions

# Refrigerator

GE and GE Profile™ models

Questions? Call 800.GE.CARES (800.432.2737) or visit our Website at: [GEAppliances.com](http://GEAppliances.com)  
In Canada, call 1.800.561.3344 or visit our Website at: [www.GEAppliances.ca](http://www.GEAppliances.ca)

## BEFORE YOU BEGIN

Read these instructions completely and carefully.

- **IMPORTANT** – Save these instructions for local inspector's use.
- **IMPORTANT** – Observe all governing codes and ordinances.
- Note to Installer – Be sure to leave these instructions with the Consumer.
- Note to Consumer – Keep these instructions for future reference.
- Skill level – Installation of this appliance requires basic mechanical skills.
- Completion time – Refrigerator Installation can vary  
Water Line Installation 30 minutes
- Proper installation is the responsibility of the installer.
- Product failure due to improper installation is not covered under the Warranty.

## PREPARATION

### MOVING THE REFRIGERATOR INDOORS

If the refrigerator will not fit through a doorway, the refrigerator door and freezer drawer can be removed.

- To remove the refrigerator door, see the Installing the Refrigerator section.
- To remove the freezer drawer, see the Removing the Freezer Drawer section.

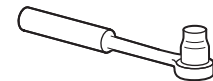
### WATER SUPPLY TO THE ICEMAKER AND DISPENSER

If the refrigerator has an icemaker, it will have to be connected to a cold water line. A GE water supply kit (containing tubing, shutoff valve, fittings and instructions) is available at extra cost from your dealer, by visiting our website at [GEAppliances.com](http://GEAppliances.com) (in Canada at [www.GEAppliances.ca](http://www.GEAppliances.ca)) or from Parts and Accessories, 800.626.2002 (in Canada 1.800.661.1616).

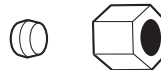
## TOOLS YOU MAY NEED



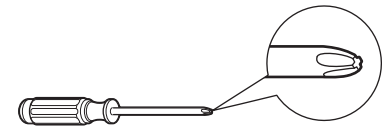
Adjustable Wrench



3/8" Socket Ratchet/Driver



1/4" Outer Diameter  
Compression Nut  
and Ferrule (sleeve)



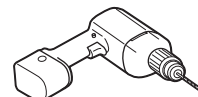
Phillips-Head Screwdriver



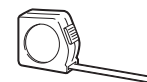
1/8", 3/32", 1/4" & 5/32"  
Allen Wrenches



Flat-Head Screwdriver



1/8" Drill Bit and  
Electric or Hand Drill



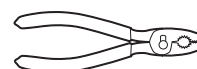
Tape Measure



Pencil



1/4" Nut Driver



Pliers



Level

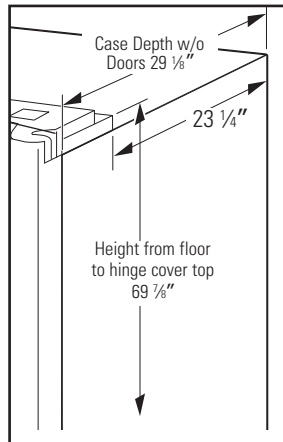
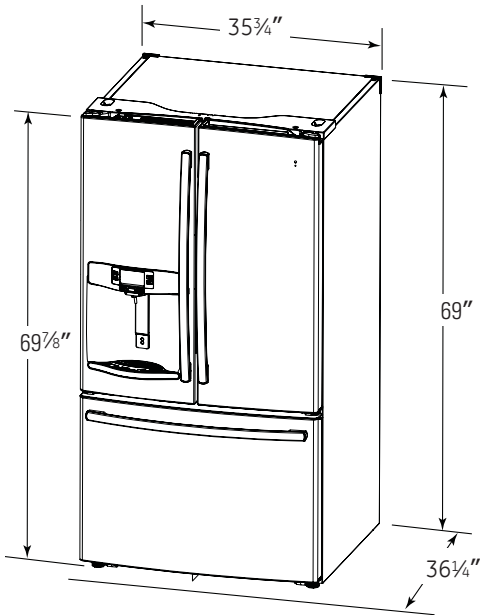


Torx T20, T25

# Installation Instructions

## DIMENSIONS

All measurements are given with leveling leg fully retracted.



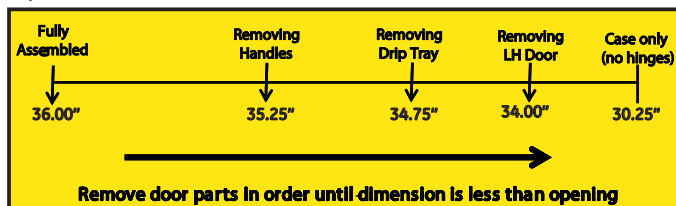
Additional Dimensions

Overall Height to Top of Hinge Cover	69 <sup>7</sup> / <sub>8</sub> "
Height to Top of Cabinet	69"
Case Depth without Doors	29 <sup>1</sup> / <sub>8</sub> "
Overall Exterior Case Width	35 <sup>3</sup> / <sub>4</sub> "
Overall Exterior Depth Bowed Doors/ Drawers with Handles	36 <sup>1</sup> / <sub>4</sub> "

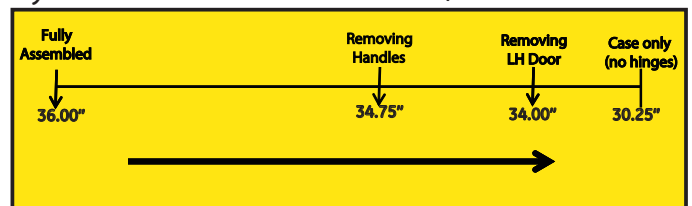
## Moving THE REFRIGERATOR

- Using the chart below determine if the width of your passageway can accommodate the depth of the refrigerator. Ensure you have clearance to prevent damage to the refrigerator before safely moving it to the final location.
- If passageways are large enough to accommodate the refrigerator without removing the handles skip to Step 6. Leave tape, film and all packaging on doors until the refrigerator is in the final location.
- **NOTE:** Use a padded hand truck or moving straps to move this refrigerator. Place the refrigerator on the hand truck with a side against the truck. We strongly recommend that two people move and complete this installation.

If your model number starts with PFE



If your model number starts with GFE/DFE



# Installation Instructions

## INSTALLING THE REFRIGERATOR

### REFRIGERATOR LOCATION

- Do not install the refrigerator where the temperature will go below 60°F (16°C) because it will not run often enough to maintain proper temperatures.
- Do not install the refrigerator where the temperature will go above 100°F (37°C) because it will not perform properly.
- Install it on a floor strong enough to support it fully loaded.

### CLEARANCES

Allow the following clearances for ease of installation, proper air circulation and plumbing and electrical connections.

Sides	1/8" (3 mm)
Top	1" (25 mm) Cabinet/Hinge Cover
Back	2" (50 mm)

### REMOVING THE REFRIGERATOR DOORS

- **IMPORTANT NOTE:** This refrigerator is 35<sup>5</sup>/<sub>8</sub>" deep. Doors and passageways leading to the installation location must be at least 36" wide in order to leave the doors and handles attached to the refrigerator while transporting it into the installation location. If passageways are less than 36", the refrigerator doors and handles can easily be scratched and damaged. The top cap and doors can be removed to allow the refrigerator to be safely moved indoors. If passageways are less than 31", the leveling legs must be removed as well. Start with Step 1.
- If it is not necessary to remove doors, skip to Step 11. Leave tape and all packaging on doors until the refrigerator is in the final location.
- **NOTE:** Use a padded hand truck to move this refrigerator. Place the refrigerator on the hand truck with a side against the truck. We strongly recommend that **TWO PEOPLE** move and complete this installation.

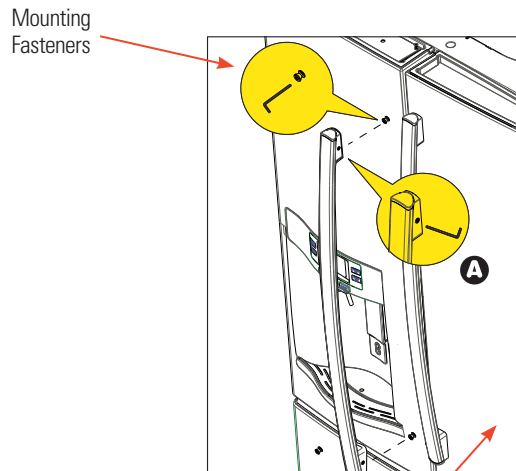
### 1 REMOVE THE FRESH FOOD DOOR HANDLE

Handle Design varies based on models, however Installation is same.

Stainless steel and plastic handles:

- Ⓐ Loosen the set screws with the 1/8" Allen wrench and remove the handle.

**NOTE:** If the handle mounting fasteners need to be tightened or removed, use a 1/4" Allen wrench.



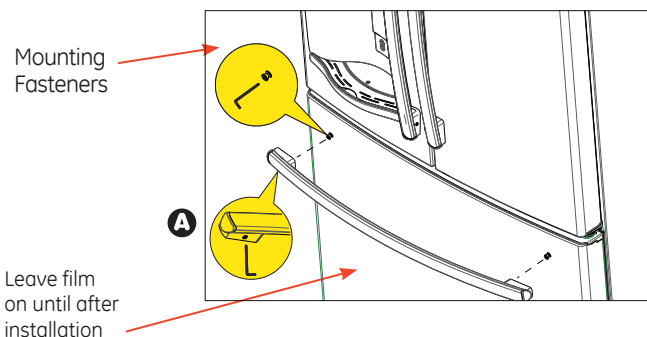
### 2 REMOVE THE FREEZER DOOR HANDLE

Handle Design varies based on models, however Installation is same.

Stainless steel and plastic handles:

- Ⓐ Loosen the set screws with the 1/8" Allen wrench and remove the handle.

**NOTE:** If the handle mounting fasteners need to be tightened or removed, use a 1/4" Allen wrench.



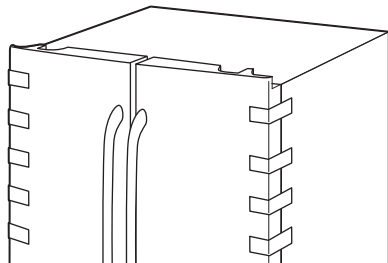
Reinstall the handles using the same procedure as removing.

# Installation Instructions

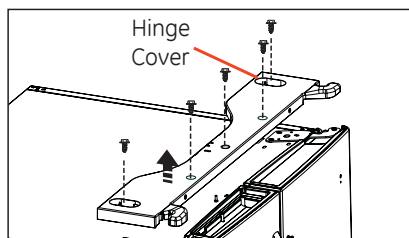
## INSTALLING THE REFRIGERATOR (cont.)

### 3 REMOVE THE REFRIGERATOR DOORS

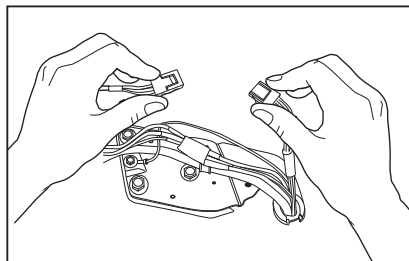
Securely tape the door shut with masking tape or have a second person support the door.



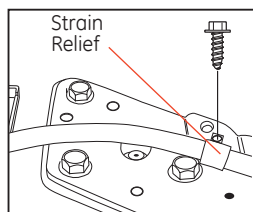
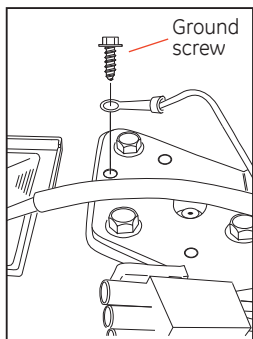
- A Start with left-hand door first: Remove the hinge cover on top of the refrigerator door by removing all hex screws and pulling it up.



- B Disconnect both electrical connectors at the top cover.

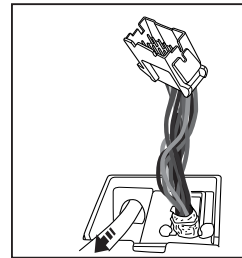
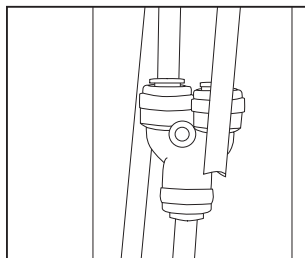


- C Remove the 1/4" hex head screw to disconnect the ground wire from the hinge. Remove the 1/4" hex head screw to remove the strain relief from the water line.

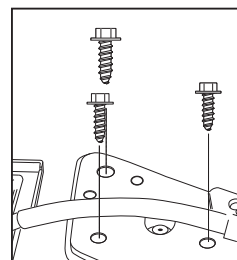


### REMOVE THE REFRIGERATOR DOORS (cont)

- D Disconnect the water line from the back of the unit by pressing down on the dark grey collar while pulling up on the water line. Pull waterline through case conduit from the top to free the line for door removal. The water line is more than 4' long and may need to be taped to Door for accessibility when reinstalling.



- E Using a 3/8" socket ratchet/driver, remove the screws securing the top hinge to the cabinet, then lift the hinge straight up to free the hinge pin from the location in the top of the door.



### CAUTION

**Lifting Hazard. Single person lift could cause injury. Use assistance when handling, moving or lifting the refrigerator doors.**

**Note: when removing door, to prevent damage to door and electronics, carefully place the door in a proper location.**

**Note: The lower door hinge pin and hinge are keyed and must be matched correctly for the door to self close properly. Please follow the directions carefully.**



# Installation Instructions

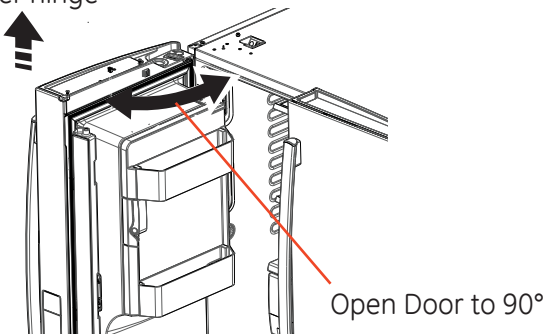
## INSTALLING THE REFRIGERATOR (cont.)

### REMOVE THE REFRIGERATOR DOORS (cont)

**Note:** for proper installation later, please follow the next step carefully.

- F** Remove the tape and keeping the door as straight as possible, open the door to 90° then lift straight up to remove it.

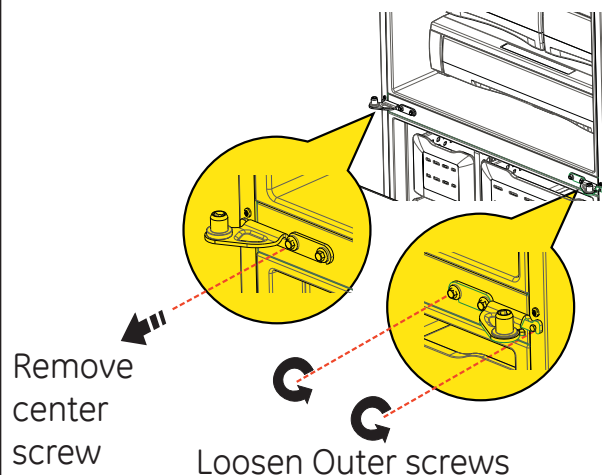
Lift up & off center hinge



- 4** REMOVE OPPOSITE DOOR  
Follow the same procedure on the opposite door. There are no wires or water lines on the opposite side

### REMOVE CENTER HINGE (if necessary)

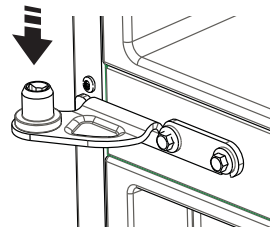
Remove the 3/8" screws securing the center hinge to the cabinet. Use T20 driver to remove outboard screw



### 5 REINSTALLING THE REFRIGERATOR DOORS

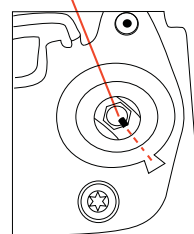
Reverse steps 1 through 4 to reinstall refrigerator, follow details below for critical alignments.

- A** Reinstall center hinge first and torque the screws to 65 in-lbs. With the LH door at 90° to the front of the case, lower the refrigerator door onto the center hinge. Ensure that the door and hinge align correctly.

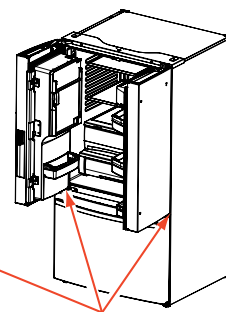


- B** Rotate doors closed and make sure moveable center sealing portion of the door aligns with the striker. *If the door will not self close after reinstalling, remove door, turn door upside down, check alignment mark and arrow; there is an alignment mark on the door closure mechanism It corresponds to an alignment arrow on the plastic ring. Rotate door closure mechanism to align mark and arrow, reinstall door.*

align mark



Underside OF  
Fresh Food Door



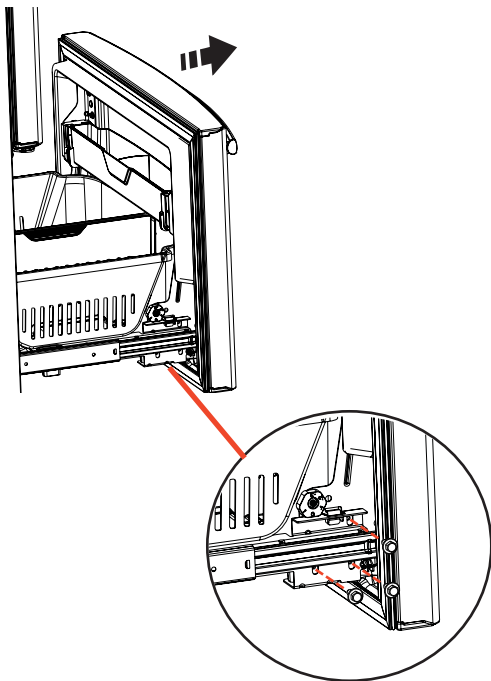
Securely tape the door shut with masking tape or have a second person support the door. Reinstall the top hinge and torque the screws to 65 in-lbs.

# Installation Instructions

## INSTALLING THE REFRIGERATOR (cont.)

### 6 REMOVE THE FREEZER DOOR

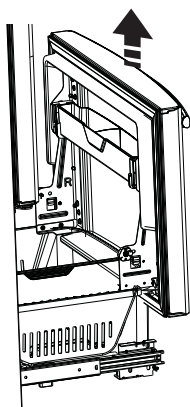
- A Pull the freezer door open to full extension.
- B Remove 3 attachment screws, located at the bottom on each side of the freezer door using 3/8" hex socket driver.



#### CAUTION

Freezer door is heavy Use both hands to secure the door before lifting.

- C Lift the freezer door to disengage it from the slide mechanism

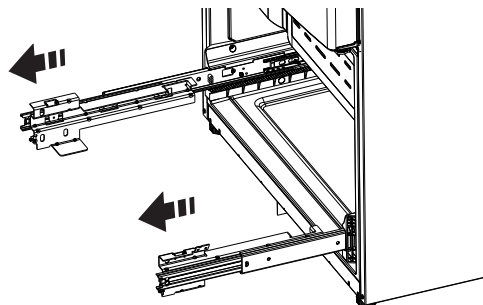


The door can safely rest on the bottom. Do not rest the door on any other surfaces to avoid scratches.

Push the slide mechanism back completely until it self retracts.

### 7 REPLACING THE FREEZER DOOR

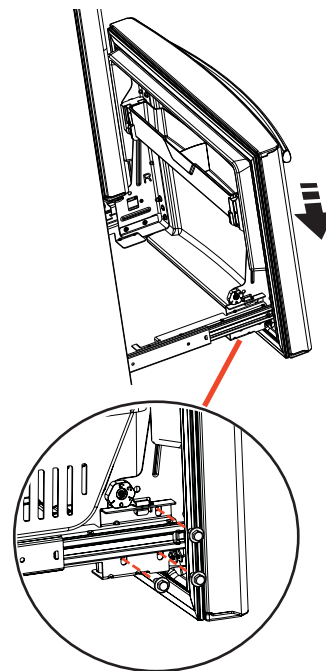
- A Pull the slide Mechanism to full extension using both hands simultaneously.
- B Remove the basket resting on the slides.



#### CAUTION

Freezer door is heavy Use both hands to secure the door before lifting.

- C Lift the freezer door and place it on the slide mechanism



- D Replace the attachment screws and torque the screws to 65 in-lb
- E For adjusting freezer door gaps, follow the instructions on pg 27.
- F Replace the basket

# Installation Instructions

## INSTALLING THE REFRIGERATOR (cont.)

### Instructions for adjusting freezer door gaps:

#### IMPORTANT!

The 6 mounting screws (3 on each side) are NOT interchangeable with the center or top hinge screws. Drawer screws are bright silver, and other screws are dark matte finish.

After installation of the freezer door, check for uniform gaps (top and bottom of right and left hand side) with the template provided.

In the event of excessive gaps use the following steps to adjust the freezer door.

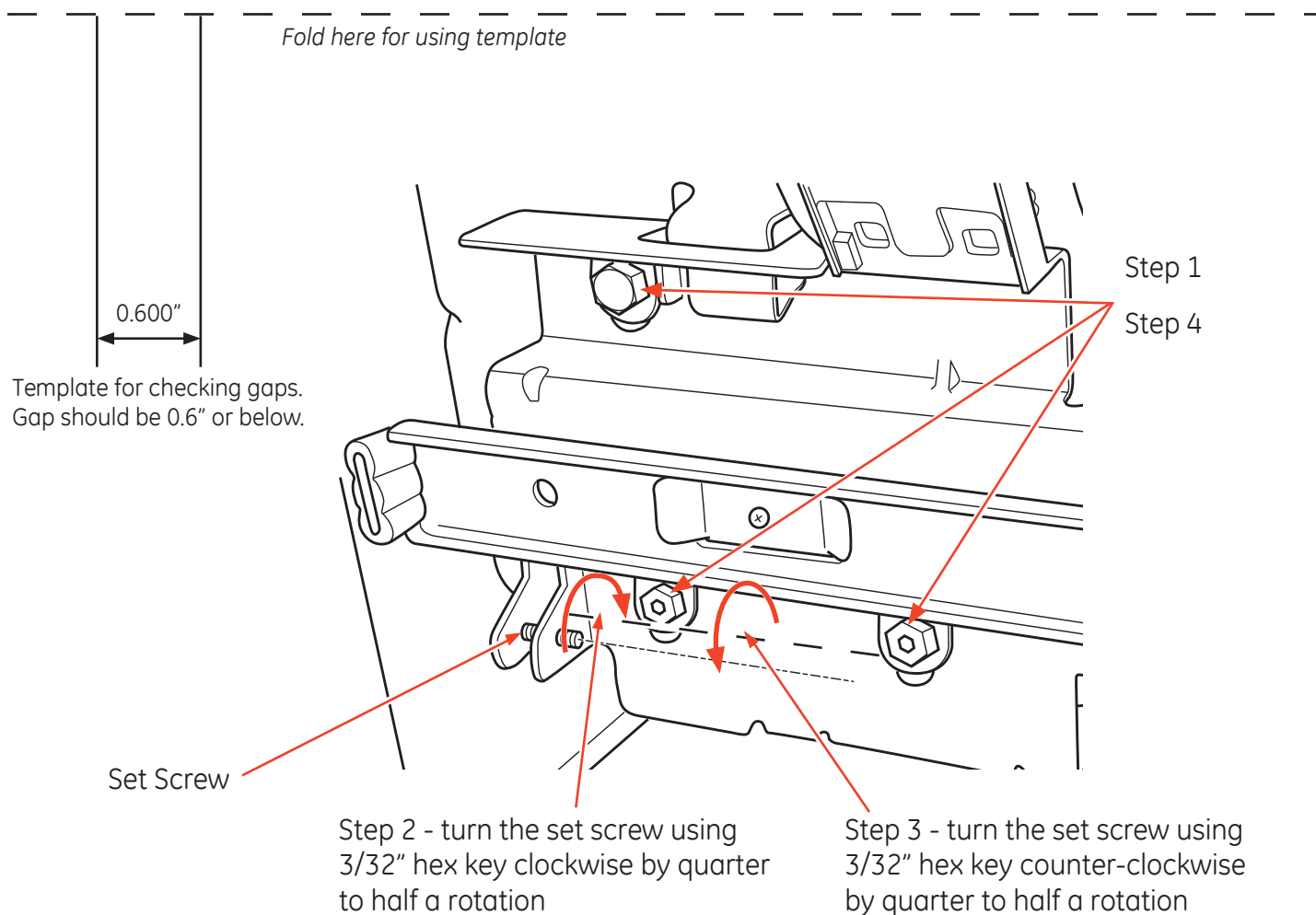
Step 1 - Loosen the 3 screws on each side (right and left) of the freezer door.

Step 2 - Adjust set screw clockwise if gap at the top is too big (see template).

Step 3 - Adjust set screw counter-clockwise if gap at the bottom is too big (see template).

Step 4 - Tighten the 3 screws on each side (right and left).

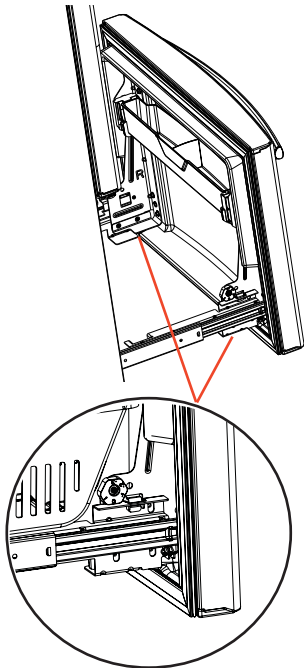
Step 5 - Re-check the gaps using the template and repeat steps 1 to 4 if required and complete with step 5.



# Installation Instructions

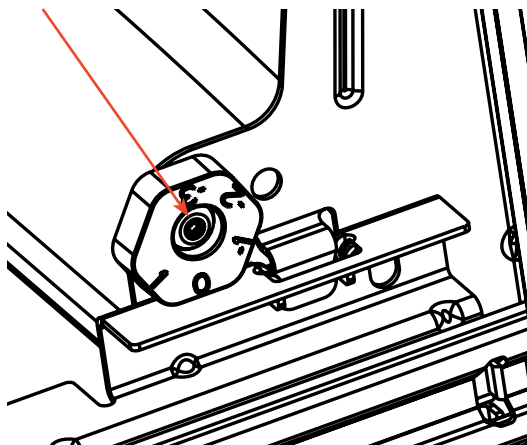
## INSTALLING THE REFRIGERATOR (cont.)

### 8 LEVEL THE FREEZER DOOR



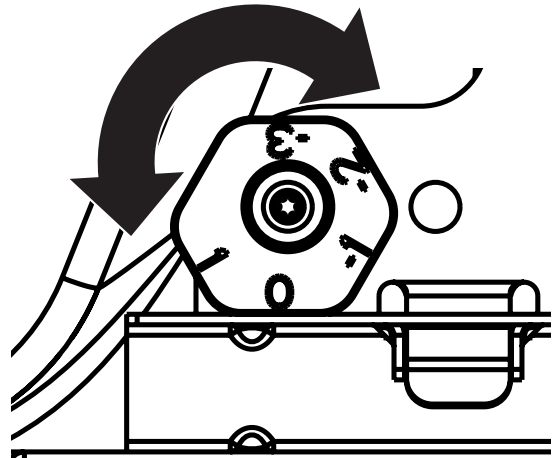
**A** Locate the height adjuster cam in the freezer door. Slightly loosen the three door attachment screws on both sides using a 3/8" hex socket driver.

**B** Locate and loosen the cam screw using the T-27 screw driver.



### 9 LEVEL THE FREEZER DOOR (cont.)

**A** Lift the door on the side requiring adjustment, rotate the cam to required position.



0 - Initial position

1 - Lift by 0.050"

-1 - Lower by 0.050"

-2 - Lower by 0.100

-3 - Lower by 0.150"

**B** After adjustment tighten the 3 attachment screws using to 65 in-lb.

### 10 REMOVE PACKAGING

A) Remove all tape, foam and protective packing from shelves and drawers.

# Installation Instructions

## INSTALLING THE REFRIGERATOR (cont.)

### 11 CONNECTING THE REFRIGERATOR TO THE HOUSE WATER LINE

A cold water supply is required for automatic icemaker operation. If there is not a cold water supply, you will need to provide one. See Installing the Water Line section.

#### NOTES:

- Before making the connection to the refrigerator, be sure the refrigerator power cord is not plugged into the wall outlet.
- If your refrigerator does not have a water filter, we recommend installing one if your water supply has sand or particles that could clog the screen of the refrigerator's water valve. Install it in the water line near the refrigerator. If using GE SmartConnect™ Refrigerator Tubing Kit, you will need an additional tube (WX08X10002) to connect the filter. Do not cut plastic tube to install filter.

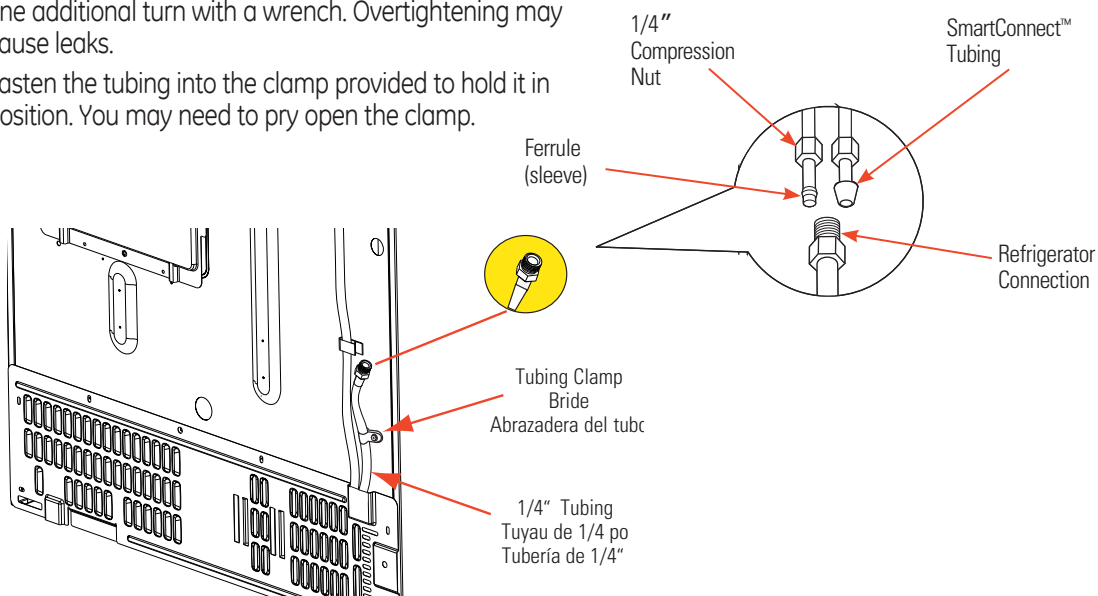
**A** If you are using copper tubing, place a compression nut and ferrule (sleeve) onto the end of the tubing coming from the house cold water supply.

If you are using the GE SmartConnect™ tubing, the nuts are already assembled to the tubing.

**B** If you are using copper tubing, insert the end of the tubing into the refrigerator connection, at the back of the refrigerator, as far as possible. While holding the tubing, tighten the fitting.

If you are using GE SmartConnect™ tubing, insert the molded end of the tubing into the refrigerator connection, at the back of the refrigerator, and tighten the compression nut until it is hand tight. Then tighten one additional turn with a wrench. Overtightening may cause leaks.

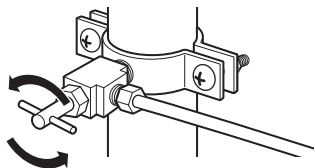
**C** Fasten the tubing into the clamp provided to hold it in position. You may need to pry open the clamp.



# Installation Instructions

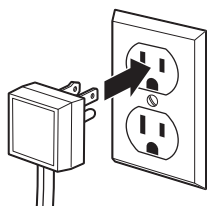
## INSTALLING THE REFRIGERATOR (cont.)

### 12 TURN ON THE WATER SUPPLY



Turn the water on at the shutoff valve (house water supply) and check for any leaks.

### 13 PLUG IN THE REFRIGERATOR



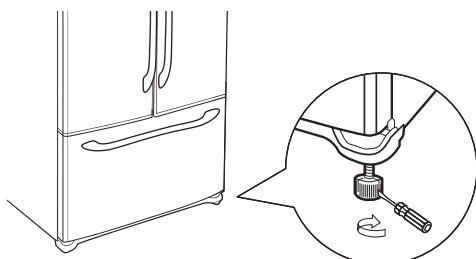
See the grounding information attached to the power cord.

### 14 LEVEL THE REFRIGERATOR

The leveling legs have 2 purposes:

- 1) Leveling legs adjust so the refrigerator is firmly positioned on the floor and does not wobble.
- 2) Leveling legs serve as a stabilizing brake to hold the refrigerator securely in position during operation and cleaning. The leveling legs also prevent the refrigerator from tipping.

- A** Turn the leveling legs clockwise to raise the refrigerator, counterclockwise to lower it.

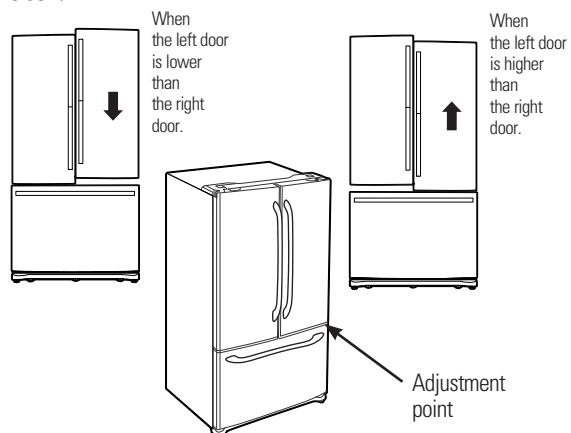


Flat-Head Screwdriver

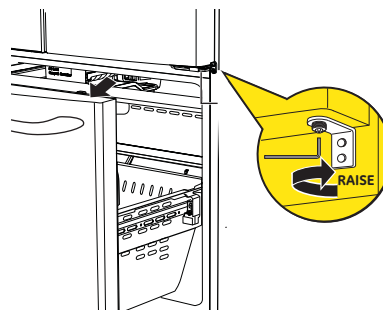
**CAUTION:** To avoid possible personal injury or property damage, the leveling legs must be firmly touching the floor.

### 15 LEVEL THE REFRIGERATOR DOORS

Remember a level refrigerator is necessary for getting the doors perfectly even. If you need help, review the previous section on leveling the refrigerator.



- A** If you open the freezer door, you can see the center hinge.
- B** Insert 1/4" Allen wrench into the shaft of the center hinge.
- C** Adjust the height by turning clockwise or counterclockwise. When you turn counterclockwise, the door will move up.



# Installation Instructions

## INSTALLING THE WATER LINE

### BEFORE YOU BEGIN

Recommended copper water supply kits are WX8X2, WX8X3 or WX8X4, depending on the amount of tubing you need. Approved plastic water supply lines are GE SmartConnect™ Refrigerator Tubing (WX08X10006, WX08X10015 and WX08X10025).

When connecting your refrigerator to a GE Reverse Osmosis Water System, the only approved installation is with a GE RVKit. For other reverse osmosis water systems, follow the manufacturer's recommendations.

If the water supply to the refrigerator is from a Reverse Osmosis Water Filtration System AND the refrigerator also has a water filter, use the refrigerator's filter bypass plug. Using the refrigerator's water filtration cartridge in conjunction with the MWF filter can result in hollow ice cubes.

This water line installation is not warranted by the refrigerator or icemaker manufacturer. Follow these instructions carefully to minimize the risk of expensive water damage.

Water hammer (water banging in the pipes) in house plumbing can cause damage to refrigerator parts and lead to water leakage or flooding. Call a qualified plumber to correct water hammer before installing the water supply line to the refrigerator.

To prevent burns and product damage, do not hook up the water line to the hot water line.

For Non-LCD Models: If the refrigerator is operated before the water connection is made to the icemaker, press and release the ICE Off/ LOCK pad on the control panel to disengage the icemaker. When the refrigerator has been connected to the water supply, press and release the ICE Off/LOCK pad on the control panel to engage the icemaker.

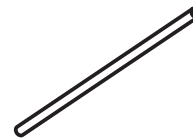
For LCD Models: If the refrigerator is operated before the water connection is made to the icemaker, see ICEMAKER under Screen Functions of the LCD Operations section and follow the screen commands to turn the icemaker Off.

Do not install the icemaker tubing in areas where temperatures fall below freezing.

When using any electrical device (such as a power drill) during installation, be sure the device is double insulated or grounded in a manner to prevent the hazard of electric shock, or is battery powered.

All installations must be in accordance with local plumbing code requirements.

### WHAT YOU WILL NEED



- Copper or GE SmartConnect™ Refrigerator Tubing kit, 1/4" outer diameter to connect the refrigerator to the water supply. If using copper, be sure both ends of the tubing are cut square.

To determine how much tubing you need: measure the distance from the water valve on the back of the refrigerator to the water supply pipe. Be sure there is sufficient extra tubing to allow the refrigerator to move out from the wall after installation.

GE SmartConnect™ Refrigerator Tubing Kits are available in the following lengths:

- 6' (1.8 m) – WX08X10006
- 15' (4.6 m) – WX08X10015
- 25' (7.6 m) – WX08X10025

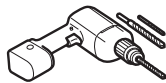
# Installation Instructions

## INSTALLING THE WATER LINE (cont.)

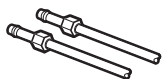
### WHAT YOU WILL NEED (CONT.)

NOTE: The only GE approved plastic tubing is that supplied in GE SmartConnect™ Refrigerator Tubing kits. Do not use any other plastic water supply line because the line is under pressure at all times. Certain types of plastic will crack or rupture with age and cause water damage to your home.

- A GE water supply kit (containing tubing, shutoff valve and fittings listed below) is available at extra cost from your dealer or from Parts and Accessories, 800.626.2002 (in Canada 1.800.661.1616).
- A cold water supply. The water pressure must be between 20 and 120 p.s.i. (1.4–8.1 bar).



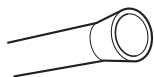
- Power drill.
- 1/2" or adjustable wrench.
- Straight and Phillips blade screwdriver.



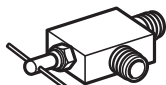
- Two 1/4" outer diameter compression nuts and 2 ferrules (sleeves)—to connect the copper tubing to the shutoff valve and the refrigerator water valve.

OR

- If you are using a GE SmartConnect™ Refrigerator Tubing kit, the necessary fittings are preassembled to the tubing.



- If your existing copper water line has a flared fitting at the end, you will need an adapter (available at plumbing supply stores) to connect the water line to the refrigerator OR you can cut off the flared fitting with a tube cutter and then use a compression fitting. Do not cut formed end from GE SmartConnect™ Refrigerator tubing.



- Shutoff valve to connect to the cold water line. The shutoff valve should have a water inlet with a minimum inside diameter of 5/32" at the point of connection to the COLD WATER LINE. Saddle-type shutoff valves are included in many water supply kits. Before purchasing, make sure a saddle-type valve complies with your local plumbing codes.

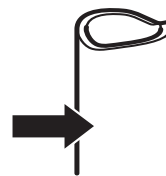
Install the shutoff valve on the nearest frequently used drinking water line.

### 1 SHUT OFF THE MAIN WATER SUPPLY

Turn on the nearest faucet long enough to clear the line of water.

### 2 CHOOSE THE VALVE LOCATION

Choose a location for the valve that is easily accessible. It is best to connect into the side of a vertical water pipe. When it is necessary to connect into a horizontal water pipe, make the connection to the top or side, rather than at the bottom, to avoid drawing off any sediment from the water pipe.

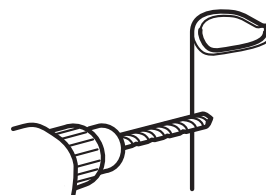


### 3 DRILL THE HOLE FOR THE VALVE

Drill a 1/4" hole in the water pipe (even if using a self-piercing valve), using a sharp bit. Remove any burrs resulting from drilling the hole in the pipe.

Take care not to allow water to drain into the drill.

Failure to drill a 1/4" hole may result in reduced ice production or smaller cubes.



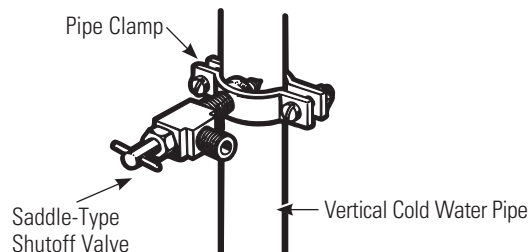


# Installation Instructions

## INSTALLING THE WATER LINE (cont.)

### 4 FASTEN THE SHUTOFF VALVE

Fasten the shutoff valve to the cold water pipe with the pipe clamp.

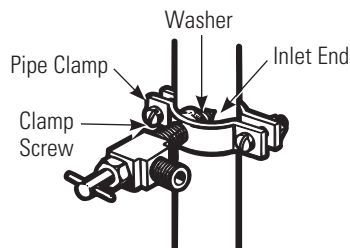


NOTE: Commonwealth of Massachusetts Plumbing Codes 248CMR shall be adhered to. Saddle valves are illegal and use is not permitted in Massachusetts. Consult with your licensed plumber.

### 5 TIGHTEN THE PIPE CLAMP

Tighten the clamp screws until the sealing washer begins to swell.

NOTE: Do not overtighten or you may crush the tubing.



### 6 ROUTE THE TUBING

Route the tubing between the cold water line and the refrigerator.

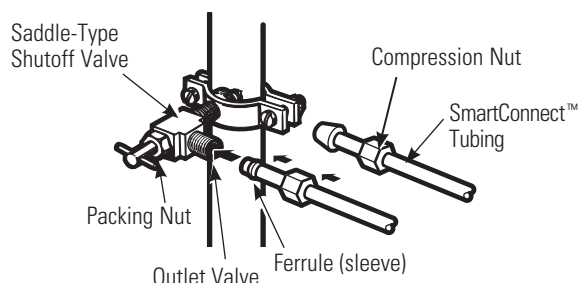
Route the tubing through a hole drilled in the wall or floor (behind the refrigerator or adjacent base cabinet) as close to the wall as possible.

### 7 CONNECT THE TUBING TO THE VALVE

Place the compression nut and ferrule (sleeve) for copper tubing onto the end of the tubing and connect it to the shutoff valve.

Make sure the tubing is fully inserted into the valve. Tighten the compression nut securely.

For plastic tubing from a GE SmartConnect™ Refrigerator Tubing kit, insert the molded end of the tubing into the shutoff valve and tighten compression nut until it is hand tight, then tighten one additional turn with a wrench. Overtightening may cause leaks.



NOTE: Commonwealth of Massachusetts Plumbing Codes 248CMR shall be adhered to. Saddle valves are illegal and use is not permitted in Massachusetts. Consult with your licensed plumber.

### 8 FLUSH OUT THE TUBING

Turn the main water supply on and flush out the tubing until the water is clear.

Shut the water off at the water valve after about one quart (1 liter) of water has been flushed through the tubing.



To complete the installation of the refrigerator, go back to Step 9 in Installing the Refrigerator.

## Normal operating sounds.

---



Newer refrigerators sound different from older refrigerators.  
Modern refrigerators have more features and use newer technology.

**Do you hear what I hear? These sounds are normal.**

**HUMMM...  
WHOOSH...**

- The new high efficiency compressor may run faster and longer than your old refrigerator and you may hear a high-pitched hum or pulsating sound while it is operating.
- You may hear a whooshing sound when the doors close. This is due to pressure equalizing within the refrigerator.
- After dispensing ice, a motor will close the ice chute to keep warm room air from entering the ice bucket, maintaining ice at a freezing temperature.

The hum of the motor closing the ice chute is normal, shortly after dispensing ice.

**WHIR!**



- You may hear the fans spinning at high speeds. This happens when the refrigerator is first plugged in, when the doors are opened frequently or when a large amount of food is added to the refrigerator or freezer compartments. The fans are helping to maintain the correct temperatures.
- The fans change speeds in order to provide optimal cooling and energy savings.

**CLICKS, POPS,  
CRACKS and SNAPS**

- You may hear cracking or popping sounds when the refrigerator is first plugged in. This happens as the refrigerator cools to the correct temperature.
- Expansion and contraction of cooling coils during and after defrost can cause a cracking or popping sound.
- On models with an icemaker, after an icemaking cycle, you may hear the ice cubes dropping into the ice bucket.
- On models with a dispenser, during water dispense, you may hear the water lines move at initial dispense and after dispenser button is released.

**WATER SOUNDS**



- The flow of refrigerant through the cooling coils may make a gurgling noise like boiling water.
- Water dropping on the defrost heater can cause a sizzling, popping or buzzing sound during the defrost cycle.
- A water dripping noise may occur during the defrost cycle as ice melts from the evaporator and flows into the drain pan.
- Closing the door may cause a gurgling sound due to pressure equalization.



**Troubleshooting Tips**  
 Save time and money! Review the charts on the following pages first and you may not need to call for service.

Problem	Possible Causes	What to Do
Water filter indicator light remains lit after replacing filter	Water filter indicator must be reset	<b>Non-LCD models:</b> -Press and hold reset button. <b>LCD models:</b> -On the LCD screen select system SETTINGS, then WATER FILTER. Select RESET.
Water filter indicator light is not lit	This is normal. This indicator will turn on to tell you that you need to replace the filter soon.	See About the Water Filter for more information.
Handle is loose/handle has a gap.	Handle needs adjusting	See <i>Attach Fresh Food Handle</i> and <i>Attach the Freezer Handle</i> sections for detailed instructions.
Refrigerator beeping	This is door alarm	-Turn off or disable with door closed -If door open and alarm is sounding, you can only snooze the alarm
Not cooling	The cooling system is off	<b>NON-LCD models:</b> -See About Controls. <b>LCD models:</b> -See About Controls.
Water has poor taste/odor	Water dispenser has not been used for a long time	Dispense water, until all water in system is replenished.
Water in glass is warm	Normal when refrigerator is first installed	Wait 24 hours for the refrigerator to completely cool down.
	Water dispenser has not been used for a long time	Dispense water, until all water in system is replenished
	Water system has drained	Allow several hours for replenished supply to chill
Water dispenser does not work	Water supply line turned off or not connected	See Installing the Water Line
	Water filter clogged or filter/bypass plug not installed	Replace filter cartridge or remove filter and install bypass plug
	Air may be trapped in the water system	Press the dispenser arm for at least 5 minutes.
	Water in reservoir is frozen because the controls are set too cold	Set the refrigerator control to a warmer setting and wait 24 hours. If the water does not dispense after 24 hours, call for service
Water spurting from dispenser	Newly installed filter cartridge	Run water from the dispenser for 5 minutes (about 2 gallons)

## Before you call for service...



### Troubleshooting Tips (cont)

Problem	Possible Causes	What to Do
No water or ice cube production	Supply line or shutoff valve is clogged	Call a plumber
	Water filter is clogged	Replace filter cartridge or remove filter and install bypass plug
	Filter cartridge not properly installed	Remove and reinstall filter cartridge, being certain that it locks in place.
Water is leaking from dispenser	Air may be present in the water line system, causing water to drip after being dispensed	Dispense water for at least 2 minutes to remove air from system
Photos not found	Photos not in root directory of USB	Make sure the photos are in the root directory in your USB
	Photos not in JPEG format	Photos must be in JPEG format
	Camera/PC used with USB cord	Must use a USB drive
<b>AUTO FILL</b> underfill/no fill	Not all containers work with <b>AUTO FILL</b>	Try different container
	<ul style="list-style-type: none"> <li>• Container not found</li> <li>• Unstable container</li> <li>• Misaligned container</li> </ul>	See pg. 11
<b>AUTO FILL</b> overfills	Not all containers work with <b>AUTO FILL</b>	Try different container
<b>PRECISE FILL</b> will not fill container	Normal, <b>PRECISE FILL</b> requires use of dispenser paddle	For a specific amount of water, select <b>PRECISE FILL</b> to dispense water
Freezer cooling, fresh food not cooling	Normal, when refrigerator first plugged in or after extended power outage	Wait 24 hours for temperature in both compartments to reach selected temperatures.
Ice dispenser opens after closing freezer drawer	Normal	The ice dispenser door may open after closing freezer door to allow access

# Refrigerator Warranty. (For customers in the United States)



All warranty service provided by our Factory Service Centers, or an authorized Customer Care® technician. To schedule service, visit us online at [GEAppliances.com](http://GEAppliances.com), or call 800.GE.CARES (800.432.2737). Please have serial number and model number available when calling for service.

Staple your receipt here. Proof of the original purchase date is needed to obtain service under the warranty.

For the Period of:	GE Will Replace
<b>GE PROFILE™ AND GE CAFÉ™ MODELS</b>	
<b>One Year</b> <i>From the date of the original purchase</i>	<b>Any part</b> of the refrigerator which fails due to a defect in materials or workmanship. During the <b>limited one-year warranty</b> , GE will also provide, <b>free of charge</b> , all labor and related service to replace the defective part.
<b>Thirty Days</b> <i>(Water filter, if included) From the original purchase date of the refrigerator</i>	<b>Any part</b> of the water filter cartridge which fails due to a defect in materials or workmanship. During this <b>limited thirty-day warranty</b> , GE will also provide, <b>free of charge</b> , a replacement water filter cartridge.
<b>GE PROFILE MODELS ONLY</b>	
<b>Five Years</b> <i>(GE Profile models only) From the date of the purchase</i>	<b>Any part of the sealed refrigerating system</b> (the compressor, condenser, evaporator and all connecting tubing) which fails due to a defect in materials or workmanship. During this <b>limited five-year sealed refrigerating system warranty</b> , GE will also provide, <b>free of charge</b> , all labor and related service to replace the defective part in the sealed refrigerating system.

## What GE Will Not Cover:

- Service trips to your home to teach you how to use the product.
- Improper installation, delivery or maintenance.
- Failure of the product if it is abused, misused, or used for other than the intended purpose or used commercially.
- Loss of food due to spoilage.
- Replacement of house fuses or resetting of circuit breakers.
- Damage caused after delivery.
- Replacement of the water filter cartridge, if included, due to water pressure that is outside the specified operating range or due to excessive sediment in the water supply.
- Replacement of the light bulbs, if included, or water filter cartridge, if included, other than as noted above.
- Damage to the product caused by accident, fire, floods or acts of God.
- Incidental or consequential damage caused by possible defects with this appliance.
- Product not accessible to provide required service.
- Damage caused by a non-GE Brand water filter.

**EXCLUSION OF IMPLIED WARRANTIES—Your sole and exclusive remedy is product repair as provided in this Limited Warranty. Any implied warranties, including the implied warranties of merchantability or fitness for a particular purpose, are limited to one year or the shortest period allowed by law.**

This warranty is extended to the original purchaser and any succeeding owner for products purchased for home use within the USA. If the product is located in an area where service by a GE Authorized Servicer is not available, you may be responsible for a trip charge or you may be required to bring the product to an Authorized GE Service location for service. In Alaska, the warranty excludes the cost of shipping or service calls to your home.

Some states do not allow the exclusion or limitation of incidental or consequential damages. This warranty gives you specific legal rights, and you may also have other rights which vary from state to state. To know what your legal rights are, consult your local or state consumer affairs office or your state's Attorney General.

State of California  
Department of Public Health  
Water Treatment Device  
Certificate Number  
11-2110

Date Issued: November 16, 2011

---

---

**Trademark/Model Designation**

GE RPWF

**Replacement Elements**

RPWF

**Manufacturer:** 3M Purification Inc.

---

---

The water treatment device(s) listed on this certificate have met the testing requirements pursuant to Section 116830 of the Health and Safety Code for the following health related contaminants:

**Microbiological Contaminants and Turbidity**

Cysts

**Inorganic/Radiological Contaminants**

Asbestos

Lead

Mercury

**Organic Contaminants**

Atrazine

Benzene

Carbofuran

Lindane

p-Dichlorobenzene

Toxaphene

2,4-D

VOC's by chloroform surrogate

**CA AB1953 Low Lead Compliant**

---

**Rated Service Capacity:** 170 gallons

**Rated Service Flow:** 0.5 gpm

---

**Conditions of Certification:**

Do not use where water is microbiologically unsafe or with water of unknown quality, except that systems certified for cyst reduction may be used on disinfected waters that may contain filterable cysts.

# Performance Data Sheet

## Model: GE RPWF

Use Replacement Cartridge RPWF.

The concentration of the indicated substances in water entering the system was reduced to a concentration less than or equal to the permissible limit for water leaving the system as specified in NSF/ANSI Standard 42 and Standard 53. System tested and certified by NSF International against NSF/ANSI Standard 42 and Standard 53 for the reduction of substances listed below.

### Capacity 170 Gallons (643.5 Liters). Contaminant Reduction Determined by NSF testing.

Contaminant Reduction	Average Influent	NSF specified Challenge Concentration	Avg % Reduction	Average Product Water Concentration	Max Permissible Product Water Concentration	NSF Reduction Requirements	NSF Test Report
Chlorine Taste and Odor	2.0 mg/L	2.0 mg/L ± 10%	97.4%	0.05 mg/L	N/A	≥50%	J-00102044
Nominal Particulate Class I, ≥0.5 to < 1.0 µm	7,633,333 pts/mL	At least 10,000 particles/mL	99.0%	71,850 pts/ml	N/A	≥85%	J-00106249
Asbestos	109 MFL	10 <sup>7</sup> to 10 <sup>8</sup> fibers/L; fibers greater than 10µm in length	99.99%	<1 MFL	N/A	≥99%	J-00102069
Atrazine	0.009 mg/L	0.009 mg/L ± 10%	94.4%	0.0005 mg/L	0.003 mg/L	N/A	J-00102058
Benzene	0.016 mg/L	0.015 mg/L ± 10%	96.4%	0.001 mg/L	0.005 mg/L	N/A	J-00102065
Carbofuran	0.08 mg/L	0.08 mg/L ± 10%	98.8%	0.001 mg/L	0.04 mg/L	N/A	J-00102059
Cyst*	104,750 cysts/L	Minimum 50,000 cysts/L	99.99%	3 cyst/L	N/A	≥99.95%	J-00102057
Lead pH @6.5	0.140 mg/L	0.15 mg/L ± 10%	99.3%	0.001 mg/L	0.010 mg/L	N/A	J-00102052
Lead pH @8.5	0.158 mg/L	0.15 mg/L ± 10%	98.3%	0.002 mg/L	0.010 mg/L	N/A	J-00102053
Mercury @ pH 6.5	0.006 mg/L	0.006 mg/L ± 10%	91%	0.0003 mg/L	0.002 mg/L	N/A	J-00102054
Mercury @ pH 8.5	0.006 mg/L	0.006 mg/L ± 10%	88.3%	0.0007 mg/L	0.002 mg/L	N/A	J-00104087
Lindane	0.002 mg/L	0.002 mg/L ± 10%	99%	0.00002 mg/L	0.0002 mg/L	N/A	J-00102063
P-Dichlorobenzene	0.222 mg/L	0.225 mg/L ± 10%	99.8%	0.0005 mg/L	0.075 mg/L	N/A	J-00102067
Toxaphene	0.015 mg/L	0.015 mg/L ± 10%	93.5%	0.001 mg/L	0.003 mg/L	N/A	J-00102061
2, 4-D Reduction	0.218 mg/L	0.210 mg/L±10%	99.9%	0.0001 mg/L	0.07 mg/L	N/A	J-00102064
VOC	0.278 mg/L	0.300 mg/L ± 10%	97.7%	0.0015 mg/L	N/A	≥95%	J-00102070

\*Based on the use of Cryptosporidium parvum oocysts.

The following pharmaceutical reduction claims have not been certified by NSF International. Claims tested and verified by independent laboratory:

Contaminant Reduction	Average Influent	NSF specified Challenge Concentration	Avg % Reduction	Average Product Water Concentration	Max Permissible Product Water Concentration	NSF Test Report
Atenolol	1088 ng/L	N/A	99.5%	5.0 ng/L	N/A	J-00103221
Fluoxetine	845 ng/l	N/A	99.4%	5.0 ng/L	N/A	J-00103221
Ibuprofen	898 ng/L	N/A	98.8%	9.9 ng/L	N/A	J-00103726
Progesterone	945 ng/L	N/A	99.4%	5.5 ng/L	N/A	J-00103727
Trimethoprim	403 ng/L	N/A	99.5%	2.0 ng/L	N/A	J-00103221

### Application Guidelines/Water Supply Parameters

Service Flow	0.5 gpm (1.89 lpm)
Water Supply	Potable Water

Water Pressure	25-120 psi (172- 827 kPa)
Water Temperature	33° F - 100° F (0.6° C - 38° C)

It is essential that the manufacturer's recommended installation, maintenance and filter replacement requirements be carried out for the product to perform as advertised. See Installation Manual for Warranty information.

**Note:** While the testing was performed under standard laboratory conditions, actual performance may vary.  
Replacement Cartridge: RPWF. For estimated costs of replacement elements please call 1-800-626-2002 or visit our website at [www.geapplianceparts.com](http://www.geapplianceparts.com).

#### ⚠ WARNING

To reduce the risk associated with ingestion of contaminants:

- Do not use with water that is microbiologically unsafe or of unknown quality without adequate disinfection before and after the system. Systems certified for cyst reduction may be used on disinfected water that may contain filterable cysts. EPA Establishment Number 070595-MEX-001.

#### CAUTION

To reduce the risk associated with property damage due to water leakage:

- Read and follow use instructions before installation and use of this system.
- Installation and use **MUST** comply with all state and local plumbing codes.
- Do not install if water pressure exceeds 120 psi (827 kPa). If your water pressure

exceeds 80 psi, you **must** install a pressure-limiting valve. Contact a plumbing professional if you are uncertain how to check your water pressure.

- Do not install where water hammer conditions may occur. If water hammer conditions exist you **must** install a water hammer arrester. Contact a plumbing professional if you are uncertain how to check for this condition.
- Do not install on hot water supply lines. The maximum operating water temperature of this filter system is 100° F (38° C).
- Protect filter from freezing. Drain filter when temperatures drop below 33°F (0.6°C).
- The disposable filter cartridge **must** be replaced every 6 months at the rated capacity, or sooner if a noticeable reduction in flow rate occurs.

For conditions of use, health claims certified by the California Department of Public Health, and replacements, see performance data sheet. California Department of Public Health Certification #11-2110. The contaminants or other substances removed or reduced by this water filter are not necessarily in all users' water.



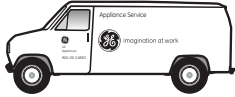
GE Appliances & Lighting  
General Electric Company  
Louisville, KY 40225  
[geapplianceparts.com](http://geapplianceparts.com)



System tested and certified by NSF International against NSF/ANSI Standard 42 and Standard 53 in model GE RPWF for the reduction of the claims specified on the performance data sheet.

# RPWF Water Filter Cartridge Limited Warranty.

Staple your receipt here. Proof of the original purchase date is needed to obtain service under the warranty.



Contact us at [www.geapplianceparts.com](http://www.geapplianceparts.com), or call 800.GE.CARES.

<b>For The Period Of:</b>	<b>We Will Replace, At No Charge To You:</b>
<b>Thirty Days</b> From the date of the original purchase	<b>Any part</b> of the water filter cartridge which fails due to a defect in materials or workmanship during this <b>limited thirty-day warranty.*</b>

**What is Not Covered:**

- Service trips to your home to teach you how to use the product.
- Improper installation.
- Failure of the product if it is abused, misused, used for other than the intended purpose or used commercially.
- Replacement of house fuses or resetting of circuit breakers.
- Replacement of the water filter cartridge due to water pressure that is outside the specified operating range or due to excessive sediment in the water supply.
- Damage to the product caused by accident, fire, floods or acts of God.
- Incidental or consequential damage caused by possible defects with this appliance.

*This warranty is extended to the original purchaser and any succeeding owner for products purchased for home use within the U.S.A. In Alaska, the warranty excludes the cost of shipping or service calls to your home.*

*Some states do not allow the exclusion or limitation of incidental or consequential damages. This warranty gives you specific legal rights, and you may also have other rights which vary from state to state. To know what your legal rights are, consult your local or state consumer affairs office or your state's Attorney General.*

**For Purchases Made In Iowa:** This form must be signed and dated by the buyer and seller prior to the consummation of this sale.

This form should be retained on file by the seller for a minimum of two years.

**Buyer:**

\_\_\_\_\_  
Name

\_\_\_\_\_  
Address

\_\_\_\_\_  
City    State    Zip

\_\_\_\_\_  
Signature    Date

**Seller:**

\_\_\_\_\_  
Name

\_\_\_\_\_  
Address

\_\_\_\_\_  
City    State    Zip

\_\_\_\_\_  
Signature    Date

\*If your GE part fails because of a manufacturing defect within thirty days from the date of original purchase for use, we will give you a new or, at our option, a rebuilt part without charge. Return the defective part to the parts supplier from whom it was purchased together with a copy of the "proof of purchase" for the part. If the part is defective and shows no signs of abuse, it will be exchanged. The warranty does not cover the failure of parts which are damaged while in your possession, are abused, or have been installed improperly. It does not cover the cost of returning the part to the supplier from whom it was purchased nor does it cover the cost of labor to remove or install it to diagnose the fault. It does not cover parts used in products in commercial use except in the case of air conditioning equipment. In no event shall GE be liable for consequential damages. Warrantor: General Electric Company

EXCLUSION OF IMPLIED WARRANTIES: Your sole and exclusive remedy is part exchange as provided in this Limited Warranty. Any implied warranties, including the implied warranties of merchantability or fitness for a particular purpose, are limited to six months or the shortest period allowed by law.



**GE**  
Appliances  
Appliance Park  
Louisville, KY 40225  
[geapplianceparts.com](http://geapplianceparts.com)





# Consumer Support.

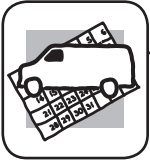
---



## GE Appliances Website

In the U.S.: [GEAppliances.com](http://GEAppliances.com)

Have a question or need assistance with your appliance? Try the GE Appliances website, 24 hours a day, any day of the year! For greater convenience and faster service, you can now download Owner's Manuals, order parts or even schedule service on-line. In Canada: [www.GEAppliances.ca](http://www.GEAppliances.ca)



## Schedule Service

In the U.S.: [GEAppliances.com](http://GEAppliances.com)

Expert GE repair service is only one step away from your door. Get on-line and schedule your service at your convenience any day of the year! Or call 800.GE.CARES (800.432.2737) during normal business hours.

In Canada, call 1.800.561.3344



## Real Life Design Studio

In the U.S.: [GEAppliances.com](http://GEAppliances.com)

GE supports the Universal Design concept—products, services and environments that can be used by people of all ages, sizes and capabilities. We recognize the need to design for a wide range of physical and mental abilities and impairments. For details of GE's Universal Design applications, including kitchen design ideas for people with disabilities, check out our Website today. For the hearing impaired, please call 800.TDD.GEAC (800.833.4322).

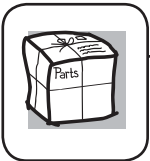
In Canada, contact: Manager, Consumer Relations, Mabe Canada Inc.  
Suite 310, 1 Factory Lane  
Moncton, N.B. E1C 9M3



## Extended Warranties

In the U.S.: [GEAppliances.com](http://GEAppliances.com)

Purchase a GE extended warranty and learn about special discounts that are available while your warranty is still in effect. You can purchase it on-line anytime, or call 800.626.2224 during normal business hours. GE Consumer Home Services will still be there after your warranty expires. In Canada, call 1.888.261.2133



## Parts and Accessories

In the U.S.: [GEAppliances.com](http://GEAppliances.com)

Individuals qualified to service their own appliances can have parts or accessories sent directly to their homes (VISA, MasterCard and Discover cards are accepted). Order on-line today, 24 hours every day or by phone at 800.626.2002 during normal business hours.

Instructions contained in this manual cover procedures to be performed by any user. Other servicing generally should be referred to qualified service personnel. Caution must be exercised, since improper servicing may cause unsafe operation.

Customers in Canada should consult the yellow pages for the nearest Mabe service center, or call 1.800.661.1616.



## Contact Us

In the U.S.: [GEAppliances.com](http://GEAppliances.com)

If you are not satisfied with the service you receive from GE, contact us on our Website with all the details including your phone number, or write to:

General Manager, Customer Relations  
GE Appliances, Appliance Park  
Louisville, KY 40225

In Canada: [www.GEAppliances.ca](http://www.GEAppliances.ca), or write to:

Director, Consumer Relations, Mabe Canada Inc.  
Suite 310, 1 Factory Lane  
Moncton, N.B. E1C 9M3



## Register Your Appliance

In the U.S.: [GEAppliances.com](http://GEAppliances.com)

Register your new appliance on-line—at your convenience! Timely product registration will allow for enhanced communication and prompt service under the terms of your warranty, should the need arise. You may also mail in the pre-printed registration card included in the packing material. In Canada: [www.GEAppliances.ca](http://www.GEAppliances.ca)