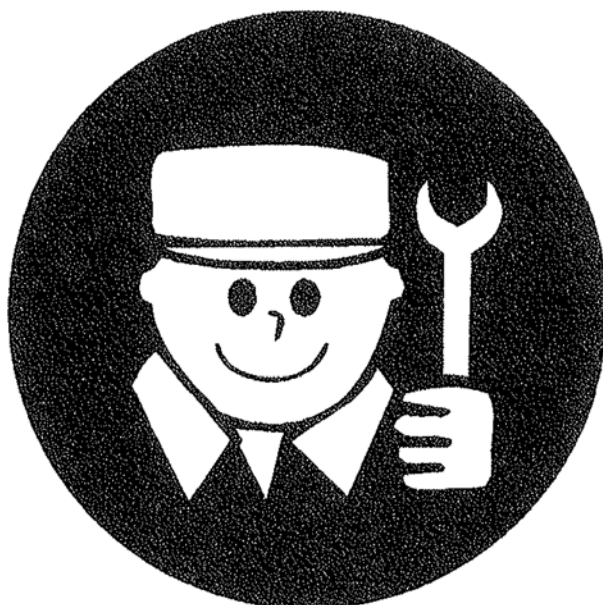

CATALOGO DE REFACCIONES

SPARE PARTS LIST

Refrigerador 2 puertas deshielo automático
Refrigerator 2 doors no frost



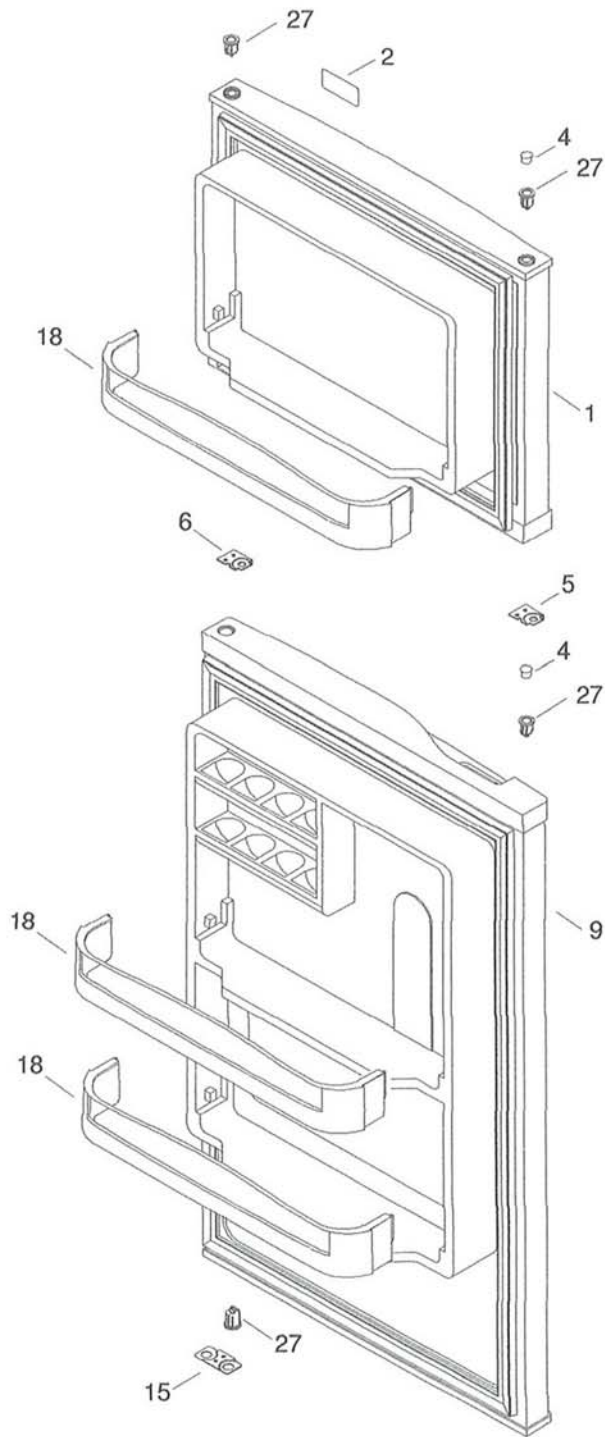
Summit

Model:

FF882W

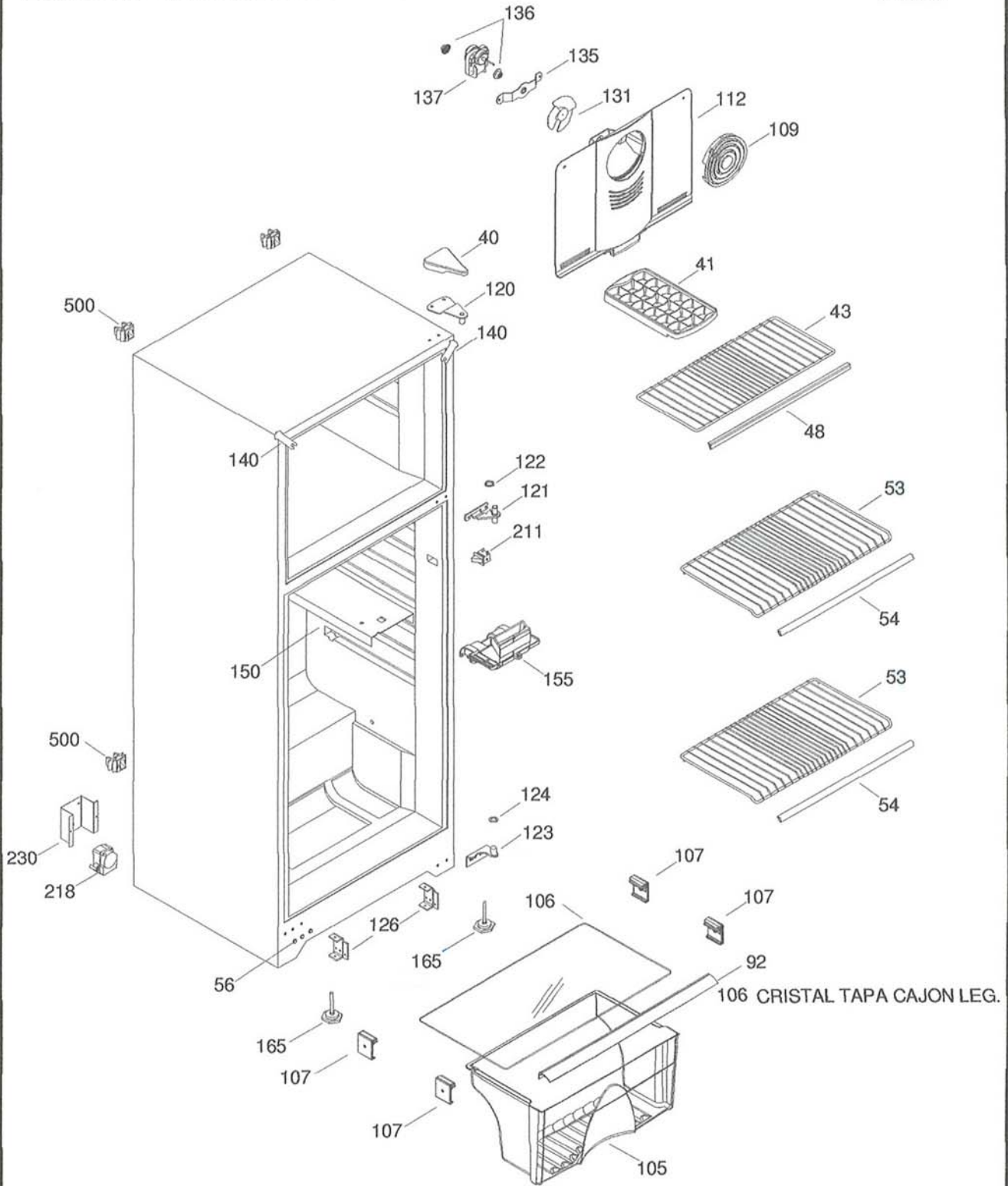
PARTES PARA PUERTA/DOOR PARTS

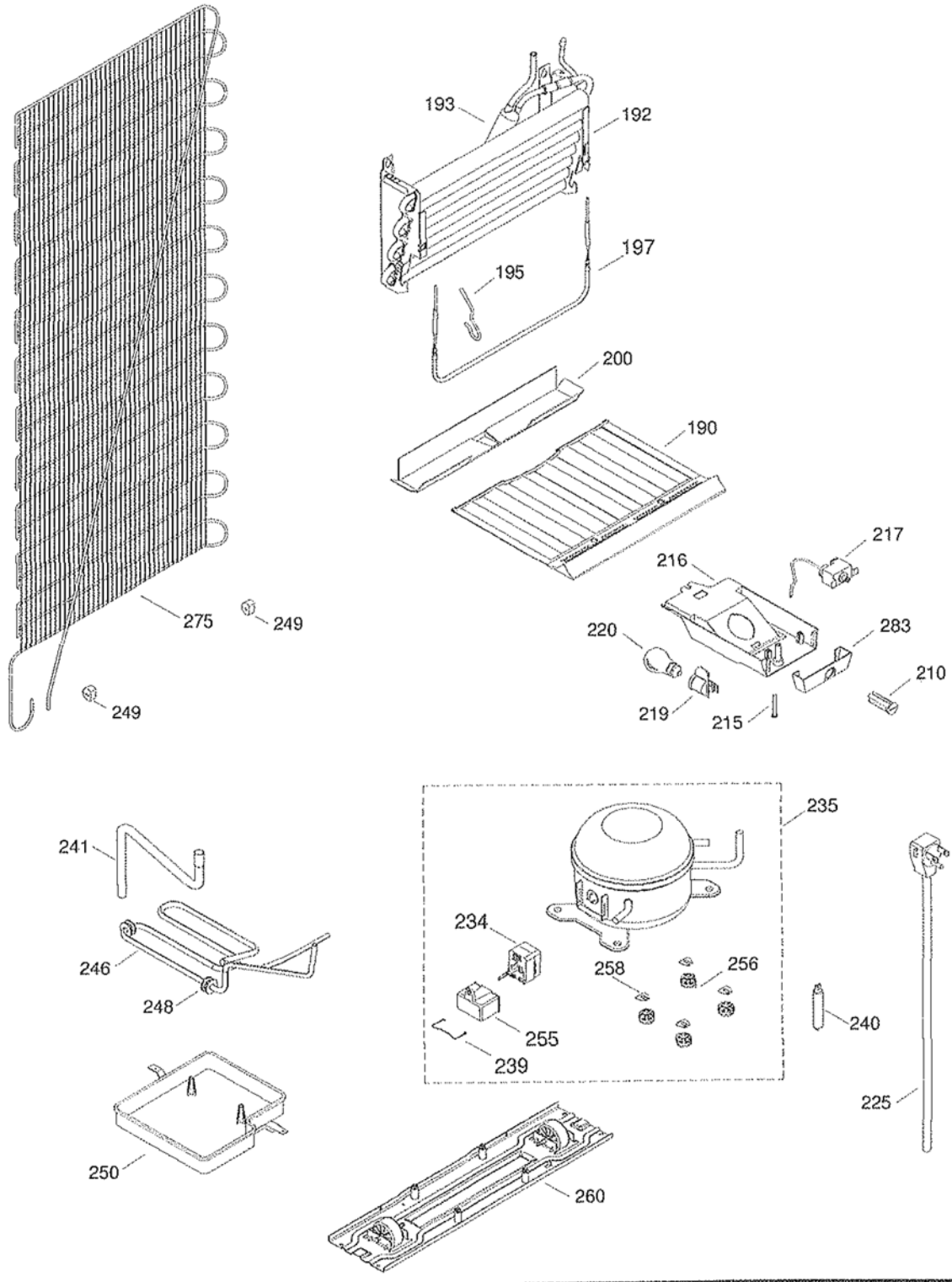
FF882W



PARTES PARA GABINETE/ CABINET PARTS

FF882W





SUMMIT

Guide	Part Number	Description	
1	186D5844G010	DORR FZ ASM. WH	1
2	314B8123P001	NAMEPLATE SUMMIT	1
4	221C5126P001	PLUG BUTTON THIMBLE (WH)	2
5	221C8340P003	STOP DOOR FZ RIGHT	1
6	221C8340P004	STOP DOOR FZ LEFT	1
9	186D5827G013	DOOR FF ASM. WH	1
15	221C5251P002	STOP DOOR FF	1
18	200D2698P001	SHELF FRONT DOOR FZ/FF	3
27	314B8506P004	BUSHING DOOR (WH)	4
40	186D1080P001	COVER HINGE (WH)	1
41	200D2953P003	ICE TRAY	1
43	200D4020P001	SHELF FZ	1
48	314B8141P011	TRIM SHELF FZ	1
53	200D4021P002	WIRE SHELF FF	2
54	314B8141P005	TRIM SHELF	2
56	314B9397P001	CAP SCREW (WH)	3
92	238C2196P002	TRIM VEG PAN COVER	1
105	200D2717P001	VEG PAN	1
106	200D4446P005	GLASS COVER VAG PAN	1
107	238C2475P001	SUPPOR VEG PAN COVER	1
109	200D2778P013	FZ AIR DIFFUSER	1
112	200D3202G029	EVAP COVER ASM	1
120	221C5019G001	HINGE TOP & SHIM ASM	1
121	221C5051G004	HINGE CTR & SHIM ASM	1
122	221C5045P005	SPACER DOOR FZ	1
123	314B9461G001	HINGE BTM & SHIM ASM	1
124	203C2032P010	WHASER BTM HINGE	3
126	238C1397P001	NUTSTRIP BTM HINGE	2
131	197D3131G002	BLADE EVAP FAN & RING ASM	1
135	238C1189P001	BRACKET MOTOR FAN	1
136	221C5143P001	GROMMET FAN	2
137	200D2940P002	MOTOR EVAP FAN	1
140	355B2047P001	CAB CORNER (WH)	2
150	221C7102P001	INSUL ELECT	1
155	221C7094G001	DUCT FOAM & COVER FF ASM	1

SUMMIT

Guide	Part Number	Description	
165	314B8518P001	LEVELING LEG	2
190	186D2805P001	FLOOR FZ	1
192	186D2838G005	EVAPORATOR ASM	1
193	221C8290P002	ACCUMULATOR	1
195	238C2646P001	HEATER CONDUCTION	1
197	238C2216G007	HEATER & FUSE ASM 180W/120V BK	1
200	186D2836P001	TROUGH DRAIN	1
210	186D1664P015	KNOB CONTROL TEMP	1
211	314B8274P001	SWITCH LIGHT	1
215	314B8355P001	SCREW 8-19 HI/LO	1
216	186D2923P002	HOUSING CONTROL	1
217	200D5822P001	CONTROL TEMP	1
218	162D6022P006	CONTROL DEFROST (115-127V)	1
219	186D1259G001	SOCKET & TERMINAL ASM	1
220	314B9124P001	LAMP (25 W)	1
225	186D2830G008	HARNESS POWER	1
230	314B8630P001	SUPPORT CONTROL DEFROST	1
234	200D5578P012	ACC ELEC 5SP14B314RH	1
235	20505241099	COMPRESSOR CQE103L2C DOE ASM	1
239	355B2089P001	5SP CLIP RETAINER	1
240	221C5100P002	DRYER	1
241	314B8606P001	DRAIN TUBE	1
246	221C8378G005	AUXILIAR TUBE ASM	1
248	314B8297P001	GROMMET AUXILIAR TUBE	2
249	314B9163P003	GROMMET, CONDENSER	1
250	238C2234G001	EVAPORATOR PAN ASM	1
255	203C2799P004	CAPACITOR	1
256	203C5262P001	GROMMET COMPRESSOR	4
258	871516P006	CLIP COMPRESSOR	4
260	200D5454G007	COMPRESSOR SUPPORT ASM	1
275	8013865	CONDENSER ASM	1
283	221C7127P009	FRONT HOUSING CONTROL	1
500	238C2369P002	CLIP CONDENSER	4

▣ PARTES DE RAPIDO MOVIMIENTO/FAST MOVING PARTS