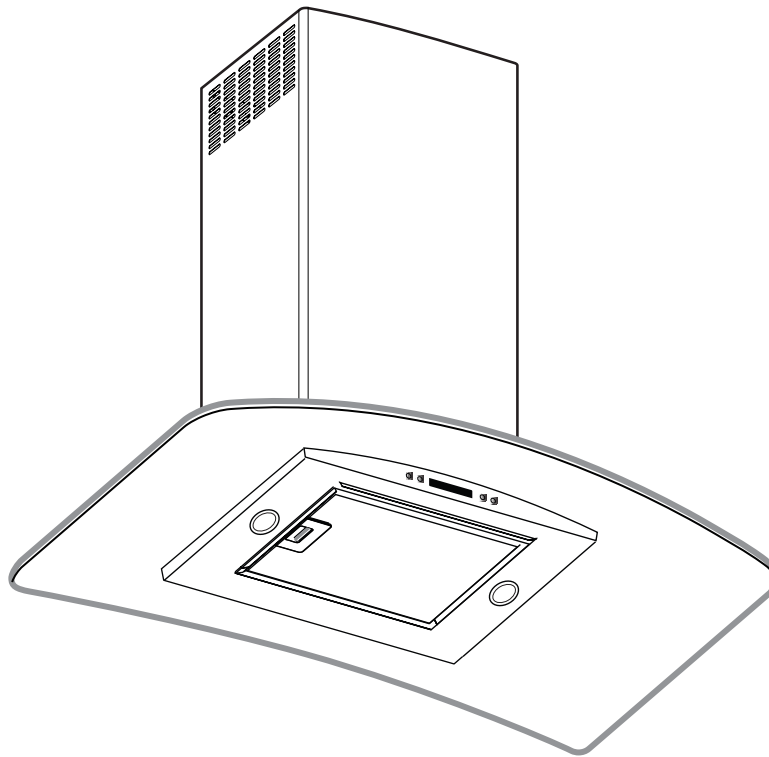


**Use, Care, and Installation Guide**  
**Guide d'utilisation, d'entretien et d'installation**  
**Guía de instalación, uso y mantenimiento**

**READ AND SAVE THESE INSTRUCTIONS**  
**LISEZ CES INSTRUCTIONS ET CONSERVEZ-LES**  
**READ AND SAVE THESE INSTRUCTIONS**



|                 |                  |               |           |
|-----------------|------------------|---------------|-----------|
| <b>English</b>  | <b>Contents</b>  | <b>page</b>   | <b>2</b>  |
| <b>Français</b> | <b>Sommaire</b>  | <b>page</b>   | <b>16</b> |
| <b>Español</b>  | <b>Contenido</b> | <b>página</b> | <b>30</b> |

## English

### Contents

|   |           |
|---|-----------|
| <b>Important safety Notice.....</b>                     | <b>3</b>  |
| <b>Electrical &amp; Installation requirements .....</b> | <b>4</b>  |
| Electrical requirements .....                           | 4         |
| Before installing the hood .....                        | 4         |
| <b>List of Materials.....</b>                           | <b>5</b>  |
| Parts supplied .....                                    | 5         |
| Parts not supplied .....                                | 5         |
| <b>Dimensions and Clearances.....</b>                   | <b>6</b>  |
| <b>Ducting Options and Examples.....</b>                | <b>6</b>  |
| Venting methods.....                                    | 6         |
| Preparation .....                                       | 6         |
| <b>Installation .....</b>                               | <b>7</b>  |
| Electrical Connection.....                              | 10        |
| <b>Description of the hood &amp; Controls.....</b>      | <b>10</b> |
| Controls.....   | 11        |
| <b>Maintenance .....</b>                                | <b>12</b> |
| <b>Available Accesories.....</b>                        | <b>13</b> |
| <b>Troubleshooting.....</b>                             | <b>14</b> |
| <b>Warranty .....</b>                                   | <b>15</b> |

**APPROVED FOR RESIDENTIAL APPLIANCES  
FOR RESIDENTIAL USE ONLY  
READ AND SAVE THESE INSTRUCTIONS**

**PLEASE READ ENTIRE INSTRUCTIONS BEFORE PROCEEDING.**

**INSTALLATION MUST COMPLY WITH ALL LOCAL CODES.**

**IMPORTANT: Save these Instructions for the Local Electrical Inspector's use.**

**INSTALLER: Please leave these Instructions with this unit for the owner.**

**OWNER: Please retain these instructions for future reference.**

**Safety Warning: Turn off power circuit at service panel and lock out panel, before wiring this appliance.**

**Requirement: 120 V AC, 60 Hz. 15 or 20 A Branch Circuit**

# READ AND SAVE THESE INSTRUCTIONS

## Important safety Notice

### CAUTION

**FOR GENERAL VENTILATING USE ONLY. DO NOT USE TO EXHAUST HAZARDOUS OR EXPLOSIVE MATERIALS OR VAPOURS.**

### WARNING

**TO REDUCE THE RISK OF FIRE, ELECTRIC SHOCK, OR INJURY TO PERSONS, OBSERVE THE FOLLOWING:**

- A. Use this unit only in the manner intended by the manufacturer. If you have questions, contact the manufacturer.
- B. Before servicing or cleaning the unit, switch power off at service panel and lock service panel disconnecting means to prevent power from being switched on accidentally. When the service disconnecting means cannot be locked, securely fasten a prominent warning device, such as a tag, to the service panel.
- C. Installation Work and Electrical Wiring Must Be Done By Qualified Person(s) In Accordance With All Applicable Codes & Standards, Including Fire-rated Construction.
- D. Sufficient air is needed for proper combustion and exhausting of gases through the flue (Chimney) of fuel burning equipment to prevent back-drafting. Follow the heating equipment manufacturers guideline and safety standards such as those published by the National Fire Protection Association (NFPA), the American Society for Heating, Refrigeration and Air Conditioning Engineers (ASHRAE), and the local code authorities.
- E. When cutting or drilling into wall or ceiling, do not damage electrical wiring and other hidden utilities.
- F. Ducted systems must always be vented to the outdoors.

### CAUTION

**To reduce risk of fire and to properly exhaust air, be sure to duct air outside - do not vent exhaust air into spaces within walls, ceilings, attics, crawl spaces, or garages.**

### WARNING

**TO REDUCE THE RISK OF FIRE, USE ONLY METAL DUCT WORK.**

Install this hood in accordance with all requirements specified.

### WARNING

**To Reduce The Risk Of Fire Or Electric Shock, Do Not Use This Hood With Any External Solid State Speed Control Device.**

### WARNING

**TO REDUCE THE RISK OF A RANGE TOP GREASE FIRE.**

- a) Never leave surface units unattended at high settings. Boilovers cause smoking and greasy spillovers that may ignite. Heat oils slowly on low or medium settings.
- b) Always turn hood ON when cooking at high heat or when flambeing food (I.e. Crepes Suzette, Cherries Jubilee, Peppercorn Beef Flambe').
- c) Clean ventilating fans frequently. Grease should not be allowed to accumulate on fan or filter.
- d) Use proper pan size. Always use cookware appropriate for the size of the surface element.

### WARNING

**TO REDUCE THE RISK OF INJURY TO PERSONS, IN THE EVENT OF A RANGE TOP GREASE FIRE, OBSERVE THE FOLLOWING:<sup>a</sup>**

- a) SMOTHER FLAMES with a close-fitting lid, cookie sheet, or other metal tray, then turn off the gas burner or the electric element. BE CAREFUL TO PREVENT BURNS. If the flames do not go out immediately, EVACUATE AND CALL THE FIRE DEPARTMENT.
- b) NEVER PICK UP A FLAMING PAN - you may be burned.
- c) DO NOT USE WATER, including wet dishcloths or towels - a violent steam explosion will result.
- d) Use an extinguisher **ONLY** if:
  - 1) You know you have a class ABC extinguisher, and you already know how to operate it.
  - 2) The fire is small and contained in the area where it started.
  - 3) The fire department is being called.
  - 4) You can fight the fire with your back to an exit.

<sup>a</sup>Based on "Kitchen Fire Safety Tips" published by NFPA.

### OPERATION

a. Always leave safety grills and filters in place. Without these components, operating blowers could catch onto hair, fingers and loose clothing.

The manufacturer declines all responsibility in the event of failure to observe the instructions given here for installation, maintenance and suitable use of the product. The manufacturer further declines all responsibility for injury due to negligence and the warranty of the unit automatically expires due to improper maintenance.

# Electrical & Installation requirements

## Electrical requirements

### IMPORTANT

Observe all governing codes and ordinances.

It is the customer's responsibility:

To contact a qualified electrical installer.

To assure that the electrical installation is adequate and in conformance with National Electrical Code, ANSI/NFPA 70 — latest edition\*, or CSA Standards C22.1-94, Canadian Electrical Code, Part 1 and C22.2 No.0-M91 - latest edition\*\* and all local codes and ordinances.

If codes permit and a separate ground wire is used, it is recommended that a qualified electrician determine that the ground path is adequate.

Do not ground to a gas pipe.

Check with a qualified electrician if you are not sure range hood is properly grounded.

Do not have a fuse in the neutral or ground circuit.

### IMPORTANT

Save Installation Instructions for electrical inspector's use.

The range hood must be connected with copper wire only.

The range hood should be connected directly to the fused disconnect (Or circuit breaker) box through metal electrical conduit.

Wire sizes must conform to the requirements of the National Electrical Code ANSI/NFPA 70 — latest edition\*, or CSA Standards C22.1-94, Canadian Electrical Code Part 1 and C22.2 No. 0-M91 - latest edition\*\* and all local codes and ordinances.

A U.L.- or C.S.A.-listed conduit connector must be provided at each end of the power supply conduit (at the range hood and at the junction box).

Copies of the standards listed may be obtained from:

\* National Fire Protection Association Batterymarch Park Quincy, Massachusetts 02269

\*\* CSA International 8501 East Pleasant Valley Road Cleveland, Ohio 44131-5575

## Before installing the hood

1. For the most efficient air flow exhaust, use a straight run or as few elbows as possible.  
**CAUTION:** Vent unit to outside of building, only.
2. At least two people are necessary for installation.
3. Fittings material is provided to secure the hood to most types of walls/ceilings, consult a Qualified Installer, check if they perfectly fit with your cabinet/wall.
4. Do not use flex ducting.
5. COLD WEATHER installations should have an additional backdraft damper installed to minimize backward cold air flow and a nonmetallic thermal break to minimize conduction of outside temperatures as part of the ductwork. The damper should be on the cold air side of the thermal break.  
The break should be as close as possible to where the ducting enters the heated portion of the house.
6. Make up air: Local building codes may require the use of Make-Up Air Systems when using Ducted Ventilation Systems greater than specified CFM of air movement. The specified CFM varies from locale to locale. Consult your HVAC professional for specific requirements in your area.

# List of Materials

## Parts supplied

Removing the packaging

### CAUTION!

Remove carton carefully, Wear gloves to protect against sharp edges.

### WARNING!

Remove the protective film covering the product before putting into operation.

- Hood structure assembly with blower, transition.
- 2 Lamps already installed.
- 1 Grease filter
- 4 Duct covers.
- Hardware bag with:
  - Ceiling Mount Template
  - Use, care and installation guide
  - Wood screws (4 pieces -  $\frac{3}{16}$ " x  $1\frac{3}{4}$ ")
  - Glass Brackets, Springs, Gaskets ( 2 each )
  - Assembly screws (70 pieces)
  - 4 Plastic Springs
  - Duct cover brackets (4 each)
- 8 Vertical supports.
- 2 Upper Ductcover supports.
- 2 Horizontal supports.
- Glass canopy (already installed)

## Parts not supplied

### Optional Accessories

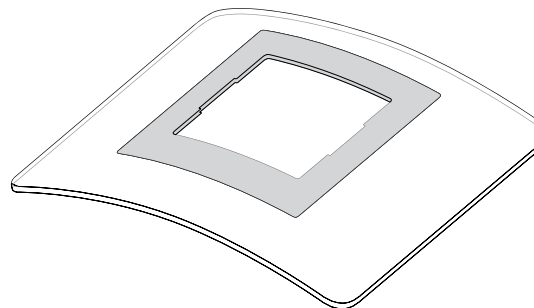
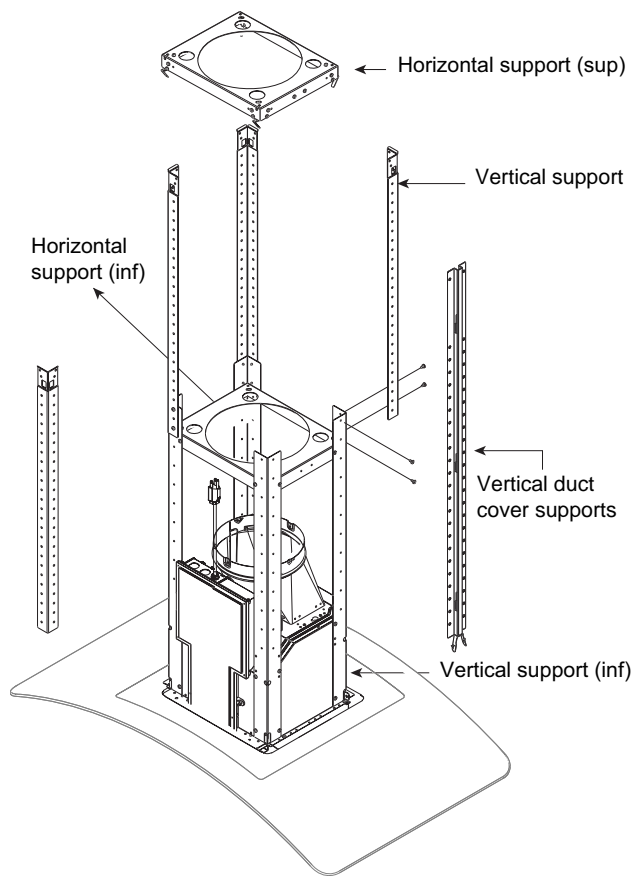
- Re circulation KIT
- Non return valve

### Tools/Materials required

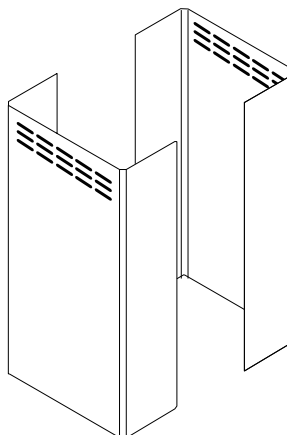
- Wire nuts
- Tape to mount template
- 8" rounded metal duct length to suit installation
- Measuring tape
- Pliers
- Gloves
- Knife
- Safety glasses
- Electric drill with  $\frac{5}{16}$ " and  $\frac{3}{8}$ " Bits
- Strain relief
- Spirit level
- Duct tape
- Screwdrivers:
  - Phillips (Posidrive) # 2
- Wire cutter/stripper
- Masking tape
- Hammer
- Saw, jig saw or reciprocating saw

### Accessories

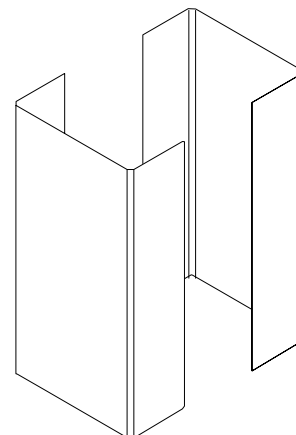
|                             |               |
|-----------------------------|---------------|
| Recirculating Kit           | KIT ISLAND    |
| Charcoal filter replacement | CHF KIT DEKOR |
| Non return Valve            | NRV DEKOR     |
| Grease filter replacement   | GRF KIT DEKOR |



**Glass Canopy**

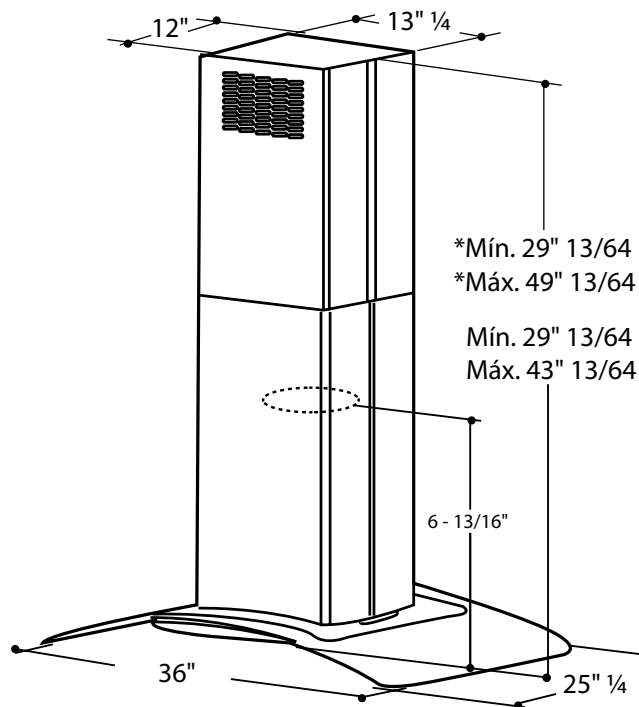


**Duct cover (superior)**



**Duct cover (inferior)**

# Dimensions and Clearances



- **Ductless (Recirculating) version ONLY**

**NOTE:** The ducted version's lengths are considering the upper vent holes grid behind the lower duct covers (upper duct covers upside down).

## Ducting Options and Examples

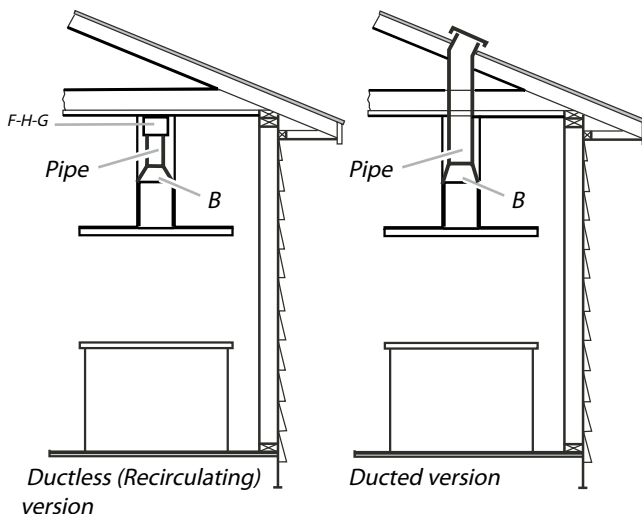
**Closely follow the instructions set out in this manual.** All responsibility, for any eventual inconveniences, damages or fires caused by not complying with the instructions in this manual, is declined.

### Venting methods

The hood is equipped with a transition **B** for discharge of fumes to the outside (**Ducting version**). Should it not be possible to discharge cooking fumes and vapour to the outside, the hood can be used in the **Ductless (Recirculating) version**. Attach a charcoal filter and the deflector **F** on the duct cover support bracket **G**. Fumes and vapours are recycled through the top grille **H** by means of a duct connected to the transition **B** and the transition mounted on the deflector **F**.

**NOTE: For ductless (Recirculating) version only: purchase the Ductless Recirculating Kit.**

**Minimum Duct Size (Ducting/Ductless version): 8" Round Pipe.**



### Preparation

Do not cut a joist or stud unless absolutely necessary. If a joist or stud must be cut, then a supporting frame must be constructed.

Fittings material is provided to secure the hood to most types of walls/ceilings.

However, a qualified technician must verify suitability of the materials in accordance with the type of wall/ceiling.

Before making cutouts, make sure there is proper clearance within the ceiling or wall for exhaust vent.

Hood installation height above cooktop is the users preference. The lower the hood is above the cooktop, the more efficient the capturing of cooking odors, grease and smoke.

### CAUTION:

**FOR 8' CEILINGS: MOUNT THIS HOOD SO THAT THE BOTTOM EDGE IS AT 27" (68,6 CM) MINIMUM ABOVE THE COOKING SURFACE.**

**FOR 9' CEILINGS: MOUNT THIS HOOD SO THAT THE BOTTOM EDGE IS AT 30" (76,2 CM) MINIMUM ABOVE THE COOKING SURFACE.**

**Check your ceiling height and the hood height maximum before you select your hood.**

# Installation

## Installation - Ducting version

### 1. Pre-installation calculations

**K** = Kitchen Height

**C** = Counter Height (36" standard)

**P** = Preferred Height of Hood

Bottom above counter

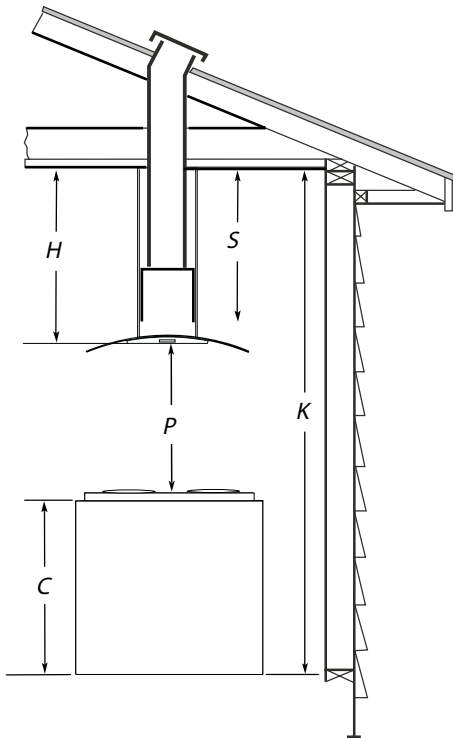
**H** = Hood height your installation

$H = K - C - P$

**S** = Chimney Structure Height, your installation.

$S = H - 1" \frac{3}{8}$ .

- Select a hood preference height **P** that is comfortable for the user.
- Calculate Hood height your installation  $H = K - C - P$ .
- Confirm that **H** is within the range of min to max **H** found for your model (See "Dimensions and clearances" paragraph). If not adjust your installation.
- Calculate Chimney structure height **S**. Save this calculation for use later in the installation.

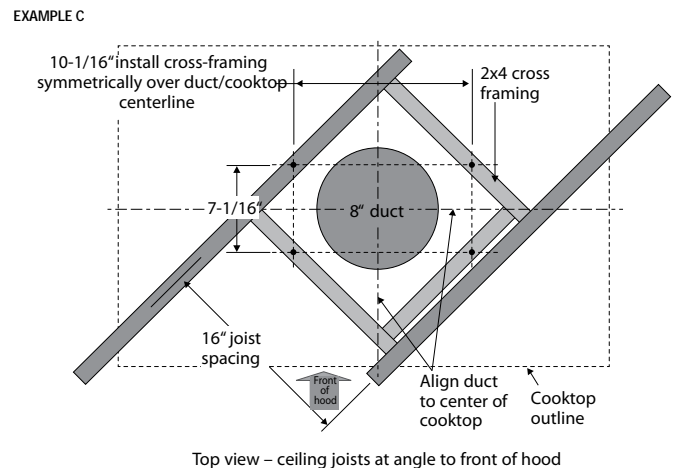
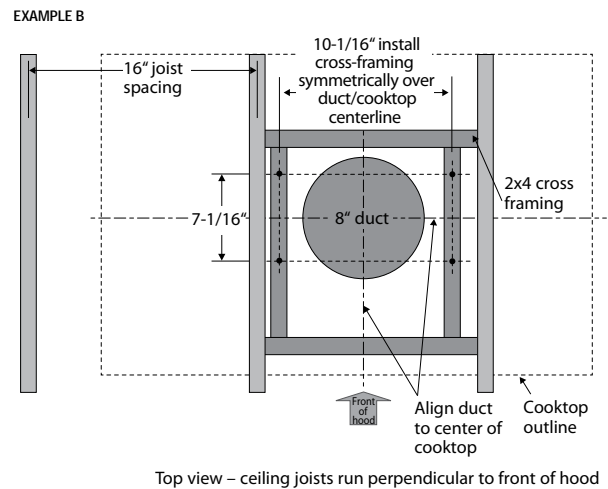
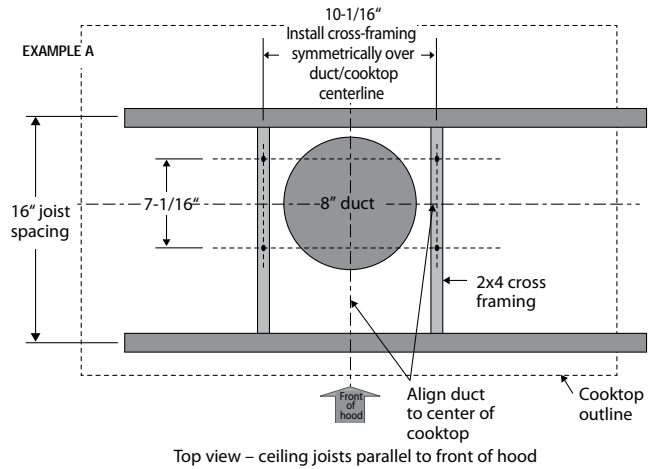
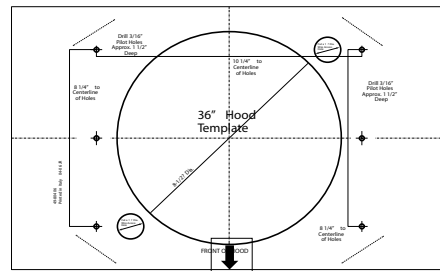


### Ceiling Support Structures

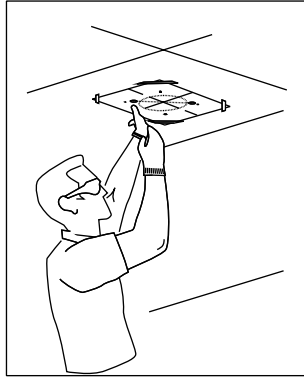
- This vent hood is heavy.
- Adequate structure and support must be provided in all types of installations.
- At the hood location, install 2"x 4" cross framing between ceiling joists as shown. (2"x 4" are required to support the weight of the hood.)
- Arrange cross framing in the ceiling to suit the existing structure.
- Your ceiling joists will be like one of the following examples.

### IMPORTANT

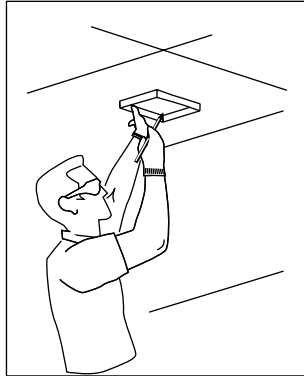
Framing must be capable of supporting 150lbs.



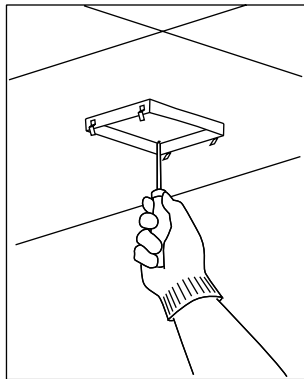
- Place the template on to ceiling considering the instructions for ceiling support structures. Always consider the "front of hood" legend when placing the template on the ceiling. It will define the control's location.



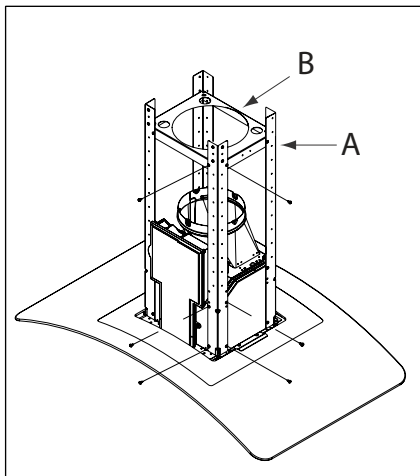
- Mark with a pencil the hole locations for screws in the ceiling. Remove template.



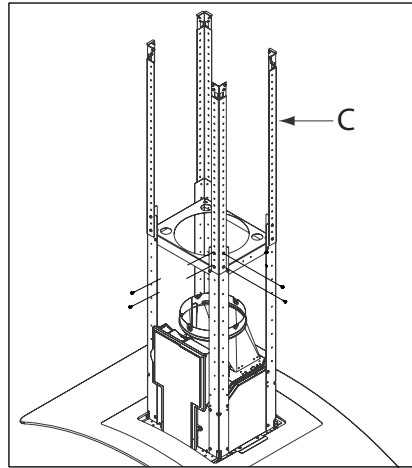
- Secure the upper horizontal support with 4 wood screws.



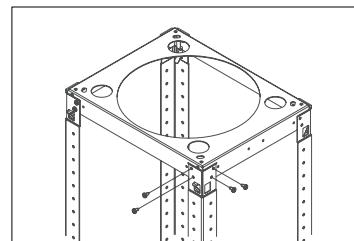
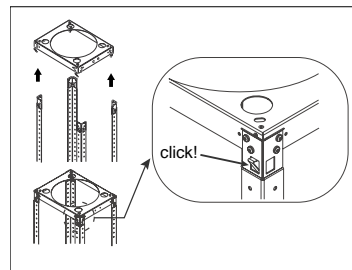
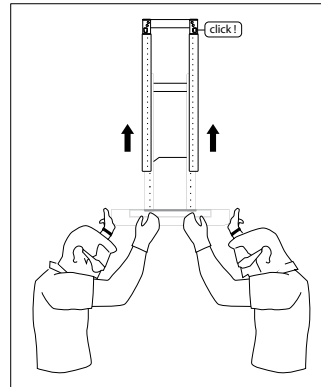
- Place the hood over a table protecting the glass. Attach the 4 lower vertical supports (A) to the hood with 16 assembly screws (4 per corner). Then attach the lower horizontal support (B) with 8 assembly screws (2 per corner).



- The upper vertical supports' position will determine the hood's total height. Refer to the maximum and minimum extensions line drawing to determine which is the most suitable dimension according to your ceiling's height. Always take into consideration the minimum installation heights declared in this manual. Position the upper vertical supports (C) at the proper height and attach them with 16 assembly screws (4 per corner).

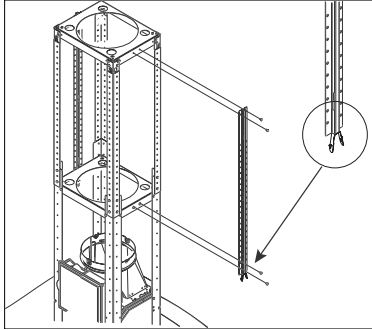


- Carefully lift the assembly until the upper vertical supports are locked with the 4 upper horizontal support's springs. Secure with 16 assembly screws (4 per corner). Note: At least 2 persons are needed for this operation.

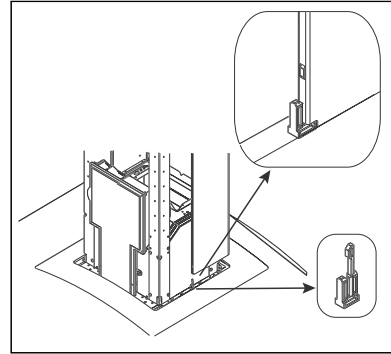




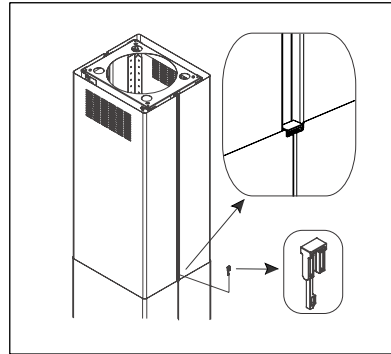
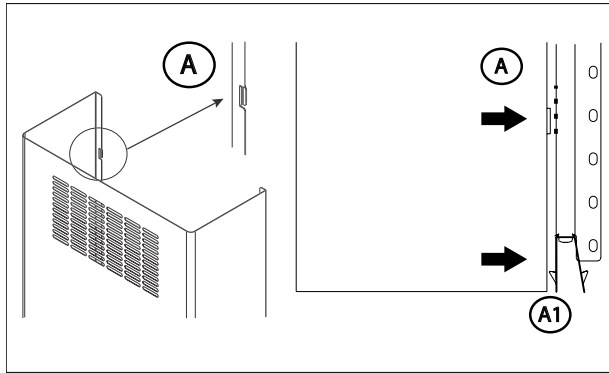
- Attach the stainless steel duct cover supports using 4 assembly screws.



- Place lower duct covers using one plastic bracket at each vertex (4 needed).

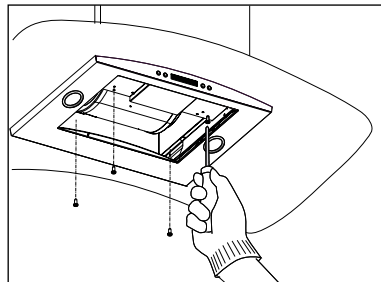
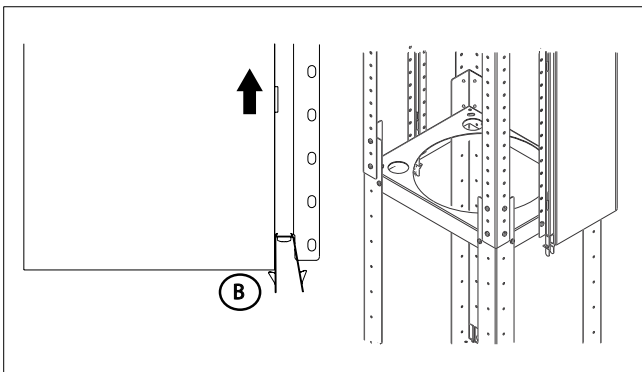


- To place the upper duct covers, make sure that the duct cover's tabs are aligned and inserted into the stainless steel duct cover support's slots as shown in image "A". While aligning and inserting the tabs, the lower part of the duct cover must be pushing inside the metal spring as shown in "A1". Keep the duct cover in this position.



- To lock the upper duct cover in place, slide it upwards making sure that all tabs stay inside the respective slots. When sliding the duct cover upwards, make sure that the lower part of the duct cover is locked with the metal spring as shown in "B". A click sound will be heard. Note: 2 persons are needed for this operation.

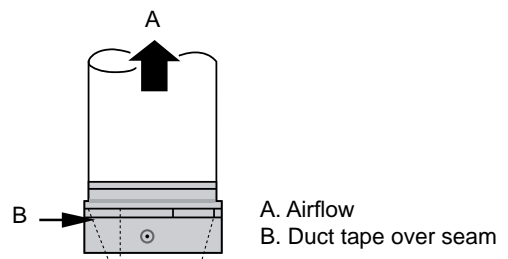
- To lock the upper duct cover in place, slide it upwards making sure that all tabs stay inside the respective slots. When sliding the duct cover upwards, make sure that the lower part of the duct cover is locked with the metal spring as shown in "B". A click sound will be heard. Note: 2 persons are needed for this operation.



The lower duct cover must be secured to the rangehood with 4 assembly screws.

**Connecting the ductwork**

- Install ductwork, making connections in the direction of airflow as illustrated.
- Push duct over the exhaust outlet.
- Wrap all duct joints and the flange connections with duct tape for an airtight seal.
- Make the same connection in the wall or ceiling vent exit.



## Electrical connection

### WARNING

#### Electrical Shock Hazard

Warning: Turn off power circuit at the service panel before wiring this unit.

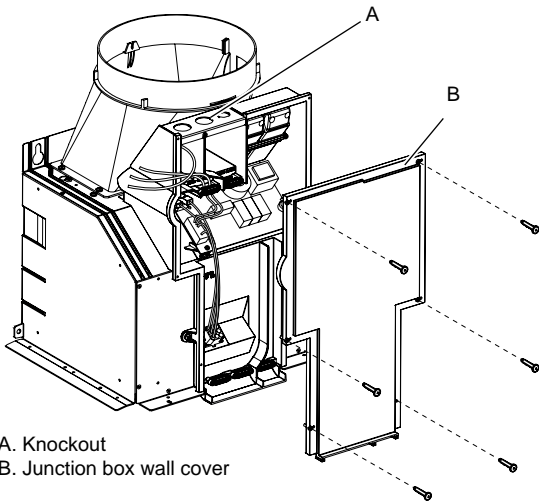
120 VAC, 15 or 20 Amp circuit required.

### ELECTRICAL GROUNDING INSTRUCTIONS

THIS APPLIANCE IS FITTED WITH AN ELECTRICAL JUNCTION BOX WITH 3 WIRES, ONE OF WHICH (GREEN/YELLOW) SERVES TO GROUND THE APPLIANCE. TO PROTECT YOU AGAINST ELECTRIC SHOCK, THE GREEN AND YELLOW WIRE MUST BE CONNECTED TO THE GROUNDING WIRE IN YOUR HOME ELECTRICAL SYSTEM, AND IT MUST UNDER NO CIRCUMSTANCES BE CUT OR REMOVED.

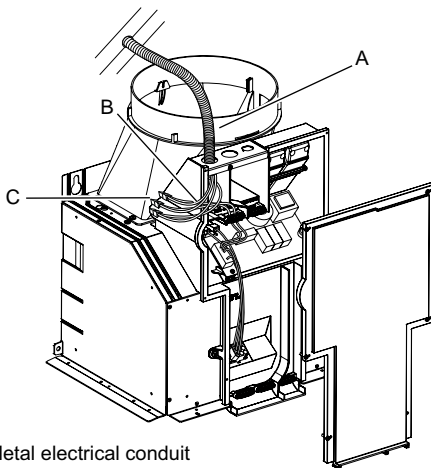
Failure to do so can result in death or electrical shock.

Facing the front of the range hood, remove the left knockout and the Junction box cover and install the conduit connector (cULus listed) in junction box.



A. Knockout  
B. Junction box wall cover

- If not already done, install 1/2" conduit connector in jbox.

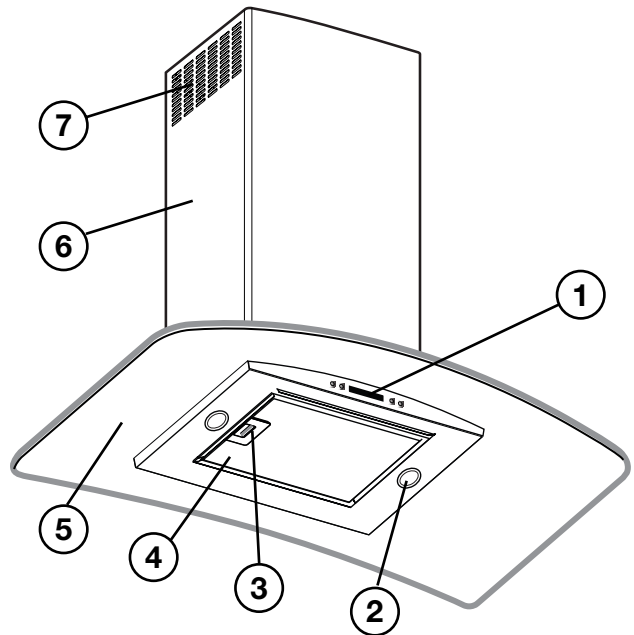


A. Metal electrical conduit  
B. House wiring  
C. U.L. listed nuts

### Electrical connections:

- To connect the "Neutral", joint by a wire nut the white wire (from the conduit) to the white wire from the junction box.
- To connect the "Line", joint by a wire nut the black wire (from the conduit) to the black wire from the junction box.
- To connect the "Ground", joint by a wire nut the Green Yellow wire (from the conduit) to the Green/Yellow wire from the junction box.
- Push wires into junction box.  
IMPORTANT: Be sure wires are not pinched
- Secure junction box cover with original screws.

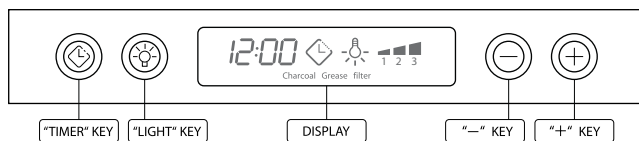
## Description of the hood & Controls



1. Blower and light controls
2. Lamp housings
3. Grease filter Handle
4. Grease filter
5. Canopy
6. Duct covers
7. Louver holes (Only for Recirculating version)

## Control and features

This hood is equipped with an electronic motor and lamp control. The control is able to set 3 different fan speeds, turn ON/OFF light and has a timer function. In the following drawing are described the main key functions.



### 1. Timer Key

- The default timer setting is 10 minutes, and it can be adjusted between 20 minutes and 1 minute.
- After pressing the timer key, the control enters to a timer setup mode, and user can adjust the timer countdown time with the “-” and “+” keys within 5 seconds. The timer can be initiated immediately pressing the timer key, after setting the timer duration or pressing the timer key twice (default 10 minutes setting).
- If not action occurs within 5 seconds the countdown will start.
- During the timer setup the “-” and “+” keys are dedicated to the timer and no motor action will occur.
- Once initiated the timer, it can be cancelled by pressing the timer key again.

### 2. Light Key

- Press lamp key to turn ON the light (Lamp state previously OFF).
- Press lamp key to turn OFF the light (Lamp state previously ON).

### 3. Display

- Shows the hood settings.

### 4. “-” Key. Speed Decrease / OFF

- This key is used to decrease the fan speed, or turn OFF the fan.
- The fan will turn OFF if the “-” key is pressed and the hood was in the first speed.
- If the fan is at second speed and the “-” key is pressed, the fan will be set to first speed.
- If the fan is at third speed and the “-” key is pressed, the fan will be set to second speed.
- If the fan is OFF and the “-” key is pressed, the control backlight will light up.

### 5. “+” Key. Speed Increase / ON

- This key is used to increase the fan speed, or turn ON the fan.
- The fan will turn ON if the “+” key is pressed and the hood was OFF.
- If the fan is at first speed and the “+” key is pressed, the fan will be set to second speed.
- If the fan is at second speed and the “+” key is pressed, the fan will be set to third speed.
- If the fan is at third speed and the “+” key is pressed, a beep will sound.

## Special functions

### Clock programming

- The clock can be reprogrammed at any time except during an active timed function.

- The clock can be displayed in a twelve hour format and valid clock times are from 1:00 to 12:59.
- The clock can be reprogrammed pressing the “Timer” key for 5 seconds, and after, the clock can be adjusted with the “+” and “-” keys. Colon “:” will flash indicating clock programming mode.
- The user can have minute increments / decrements of 1 minute, but if the user keep pressing the “+”/“-” keys for more than 1 second, the increments / decrements will be of 5 minutes. During this option the control will round to the nearest 5 minutes.
- The user can finish on reprogramming the clock pressing the “timer” key.
- After 1 minute of no key pressed the control will accept the programmed clock time and will add one minute to the set clock.

### Grease filter saturation alarm

- After thirty fan functional hours, the display will show “Grease Filter” if the fan is active. When this icon is shown in the display, the grease filters installed are required to be washed.
- To reset the grease filter saturation alarm the user must press the “+” key for 5 seconds, after this action the icon “grease filter” is not display, and the hood has the normal display operation.

### Charcoal filter saturation alarm (Recirculating accessories)

- After one hundred and twenty functional hours of the fan, the display will show “Charcoal Filter” if the fan is active. When this icon flashes on display, the charcoal filters installed are required to be replaced or reactivated.
- To reset the grease filter saturation indication the user must press the “-” key for 5 seconds, after this time the icon “charcoal filter” is not display and the hood has the normal display operation.

### Audible signal activation and deactivation

- The audible signals can be activated or deactivated pressing the “Light” key for 5 seconds.
- If the audible signal is activated, a tone must sound and the “Snd” symbol must appear on the display for 2 second.
- If the audible signal is deactivated, the “Snd” symbol must appear on the display for 2 second and no sound must sound.

### Charcoal filter inclusion and exclusion (Recirculating accessories)

- The charcoal filter inclusion or exclusion can be set by pressing the “-” and “+” keys at the same time for 5 seconds.
- The Inclusion or exclusion of charcoal filter must be selected while the lamps and the motor are OFF.
- When the charcoal has been excluded, the charcoal filter alarm is disabled.

### Heat sensor

- The control is equipped with a heat sensor that will turn on the blower at second speed if excessive heat occurs (over 70°C) surrounding the control area.
- If the blower is OFF or if it is operating at first speed, the blower will be set automatically to second speed.
- During this state, the user may raise the blower speed to third speed but can not decrease the speed.
- When the temperature level on the hood drops to normal, the blower will operate in the setting defined by the user before the alarm occurred.

## Metal grease filter maintenance

The metal filter traps grease released by foods on the cook-top. The filter must always be installed when the hood is operating / used.

### To remove:

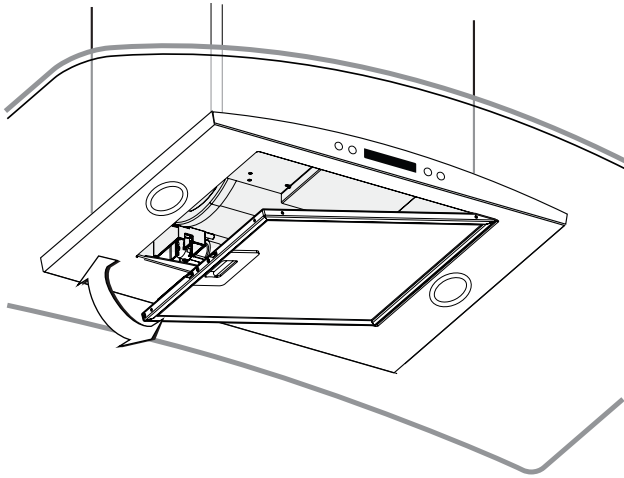
- Push the filter lock / pivot in direction to the center of the filter.
- Once the pivot is pushed pull down the filter slowly.

### To replace:

- Insert the filter tabs into the slots
- Push the filter lock / pivot in direction to the center of the filter.
- Once the pivot is pushed, raise the filter slowly until the top and release the pivot.

### To clean:

- Swish the filter in hot soapy water and rinse in clean water or wash it in the dish washer.
- Do not use abrasive cleaners.



## Hood maintenance

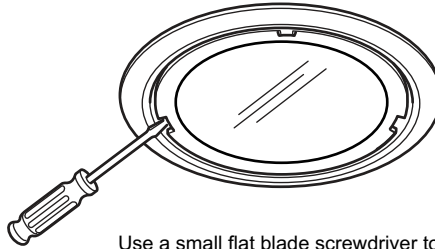
- Clean with a damp, soapy cloth and dry with a clean cloth. A glass cleaner may also be used.

ATTENTION: Do not wet the control panel.

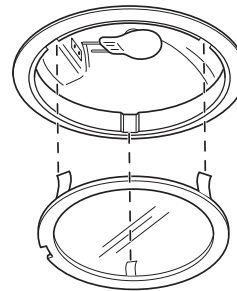
- Do not use a steel wool pad; it will scratch the surface.
- To clean the stainless steel surface, use warm sudsy water, stainless steel cleaner or polish. Always wipe the surface in the direction of the grain. Follow the cleaner instructions for cleaning the stainless steel surface.

## Change lamp bulbs

- Remove the inner lamp lens cover by inserting a small flat blade screwdriver into each of the three slots and gently prying it free.  
NOTE: Do not remove the outer trim ring (lamp assembly). Wear gloves, do not touch with your bare fingers.
- Grasp the bulb and pull it straight out.
- Replace with 12 volt, 20 watt halogen bulbs with a G4 base.
- Replace inner cover by inserting the three retaining tabs into the three slots and pressing them firmly in place.



Use a small flat blade screwdriver to remove the inner lamp lens cover.



Outer trim ring (lamp assembly)  
Do not remove

Removable inner lamp lens cover

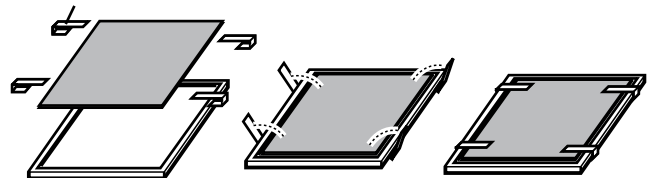
Make sure the tabs are inserted into the slots. Remove the damaged light bulb and replace it with a new bulb rated 12 V, max 20 W, G4 base.

## Available Accessories

### Charcoal filter placement (Recirculating accessories)

Fit the charcoal filter mattress on the upper side of each grease filter. Use provided springs to fix it in place.

**Note: When removing for replacing for a new one do not remove Fixing Springs, simply pull out one rotating outwards.**



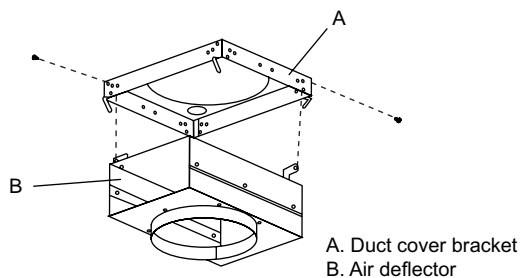
**Non-return valve installation  
(Recirculating accessories)**

- Insert end "a" of the rod into the "plastic transition tube", pushing outwards until it crosses the material (plastic transition tube) with a little force.
- Place end "b" of the rod into the "plastic transition tube". Push outwards until it crosses the material (plastic transition tube) with a little force, the rod must be symetrically from both sides.
- With the pliers bend both ends of the rod, towards the "plastic transition tube".

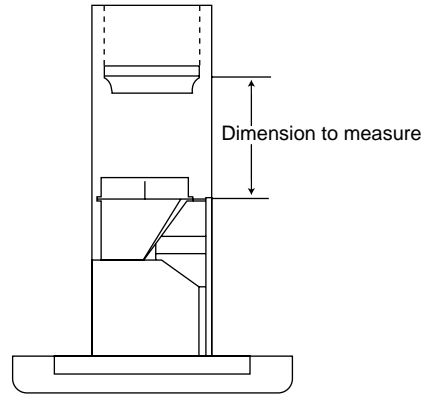


**Air deflector installation (Recirculating Kit)**

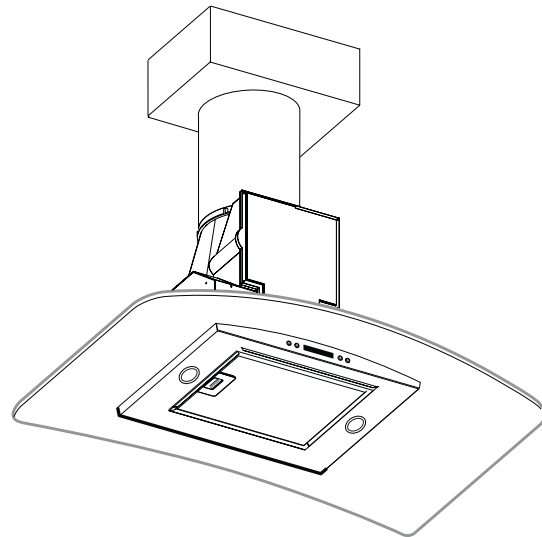
- After the duct cover bracket has been installed on the ceiling (Refer to Installation Instructions in the Hood Manual p.8), assemble the air deflector to the duct cover bracket with 2 assembly screws, as is shown in the following image.



- Measure from the bottom of the air deflector to the bottom of the hood outlet, as shown.



- Uninstall the air deflector removing the 2 assembly screws.
- Slip the duct onto the bottom of the deflector.
- Place the assembled deflector and duct work over the exhaust outlet from the hood.
- Assemble the air deflector to the duct cover bracket, with the 2 assembly screws provided.
- Use duct tape to seal the deflector and the exhaust outlet from the hood, as is shown in the following image.
- The duct tape must be approved for this application.
- Install the grease filter and turn power on at service panel.
- Check operation of the hood.



# TROUBLESHOOTING

| Issue                                  | Potential Causes   | Recommended Actions  |
|--|--|--|
| Lamp does not turn ON                  | Electronic Control does not work. Due to Over Voltage  | a) Pressing any key the LCD lights up and Icons are in place?<br>Yes, Proceed with the following diagnostic sequence<br>No, Replace the control and user interface.  |
|  | The lamp was not screwed correctly   | 1) Remove lamp cover.<br>2) Screw the lamp until it reaches the end of the socket.<br>3) Verify.   |
|  | Non functional lamp  | 1) Remove the lamp.<br>2) Verify the lamp to be non functional reviewing that the filament is not burned and be in correct place.<br>3) Replace if needed.<br>4) Verify  |
|  | During the hood cleaning, the motor connector has been loose and a false contact in the main harness is performed. | 1) Open the control box removing the 6 screws.<br>2) Remove power supply from the hood.<br>3) Verify that the connector coming from the motor is well connected to the connector mounted in the plastic verifying that the locking system in the connectors is well locked.<br>4) If the connectors are not well connected:<br>- Hold and press main connectors attached in the white plastic.<br>- Push inwards the motor/lamp connectors until the locking system on connectors is well attached.<br>5) Connect hood to power supply and verify. |
| FAN does not work                      | Electronic Control does not work. Due to Over Voltage  | a) Pressing any key the LCD lights up and Icons are in place?<br>Yes, Proceed with the following diagnostic sequence<br>No, Replace the control and user interface.  |
|  | During the hood cleaning, the motor connector has been loose and a false contact in the main harness is performed. | 1) Open the control box removing the 6 screws.<br>2) Remove power supply from the hood.<br>3) Verify that the connector coming from the motor is well connected to the connector mounted in the plastic and that the locking system in the connectors is well locked.<br>4) If the connectors are not well connected:<br>- Hold and press main connectors attached in the white plastic.<br>- Push inwards the motor/lamp connectors until the locking system on connectors is well attached.<br>5) Connect hood to power supply and verify.       |
| The blower is too noisy                | Filters are dirty  | 1) Verify that the grease and/or charcoal filters are clean.<br>2) If they are not clean change charcoal filter, or wash grease filter and verify.   |
| False contact in the connectors        | During the hood cleaning, the motor connector has been loose and a false contact in the main harness is performed. | 1) Open the control box removing the 6 screws.<br>2) Remove power supply from the hood.<br>3) Verify that the connector coming from the motor is well connected to the connector mounted in the plastic and that the locking system in the connectors is well locked.<br>4) If the connectors are not well connected:<br>- Hold and press main connectors attached in the white plastic.<br>- Push inwards the motor/lamp connectors until the locking system on connectors is well attached.<br>5) Connect hood to power supply and verify.       |
| The hood and or the lamp does not work | A terminal or connector is loose   | 1) Open the control box removing the 6 screws.<br>2) Remove power supply from the hood.<br>3) Verify that the connector coming from the motor is well connected to the connector mounted in the plastic and that the locking system in the connectors is well locked.<br>4) If the connectors are not well connected:<br>- Hold and press main connectors attached in the white plastic.<br>- Push inwards the motor/lamp connectors until the locking system on connectors is well attached.<br>5) Connect hood to power supply and verify.       |

## **Warranty**

# **ELICA North America**

## **TWO-YEARS LIMITED WARRANTY**

### **TO OBTAIN SERVICE UNDER WARRANTY**

Owner must present proof of original purchase date. Please keep a copy of your dated proof of purchase (sales slip) in order to obtain service under warranty.

### **PARTS AND SERVICE WARRANTY**

For the period of two (2) years from the date of the original purchase, Elica will provide free of charge, non consumable parts or components that failed due to manufacturing defects. During these two (2) years limited warranty, Elica will also provide free of charge, all labor and in-home service to replace any defective parts.

### **WHAT IS NOT COVERED**

- Damage or failure to the product caused by accident or act of God, such as, flood, fire or earthquake.
- Damage or failure caused by modification of the product or use of non-genuine parts.
- Damage or failure to the product caused during delivery, handling or installation.
- Damage or failure to the product caused by operator abuse.
- Damage or failure to the product caused by dwelling fuse replacement or resetting of circuit breakers.
- Damage or failure caused by use of product in a commercial application.
- Service trips to dwelling to provide use or installation guidance.
- Light bulbs, metal or carbon filters and any other consumable part.
- Normal wear of finish.
- Wear to finish due to operator abuse, improper maintenance, use of corrosive or abrasive cleaning products/pads and oven cleaner products.

### **WHO IS COVERED**

This warranty is extended to the original purchaser for products purchased for ordinary residential use in North America (Including the United States, Guam, Puerto Rico, US Virgin Islands & Canada).

This warranty is non-transferable and applies only to the original purchaser and does not extend to subsequent owners of the product. This warranty is made expressly in lieu of all other warranties, expressed or implied, including, but not limited to any implied warranty of merchantability or fitness for a particular purpose and all other obligations on the part of Elica North America, provided, however, that if the disclaimer of implied warranties is ineffective under applicable law, the duration of any implied warranty arising by operation of law shall be limited to two (2) years from the date of original purchase at retail or such longer period as may be required by applicable law.

This warranty does not cover any special, incidental and/or consequential damages, nor loss of profits, suffered by the original purchaser, its customers and/or the users of the Products.

### **WHO TO CONTACT**

To obtain Service under Warranty or for any Service Related Question

Please Call:

- Elica North America Authorized Service at (888) 732-8018

Or by Writing To:

- Elica North America, Attention Customer Service, 222 Merchandise Mart Plaza  
Suite 947, Chicago, IL 60654 USA  
infoamericas@elica.com

# Français

## Sommaire

|  |           |
|--|-----------|
| <b>Avis de sécurité important</b> .....                              | <b>17</b> |
| <b>Exigences électriques et exigences d'installation</b> .....       | <b>18</b> |
| Exigences électriques .....  | 18        |
| Avant d'installer la hotte.....                                      | 18        |
| <b>Liste des pièces</b> .....  | <b>19</b> |
| <b>Dimensions et Dégagement</b> .....                                | <b>20</b> |
| <b>Exemples et possibilités de positionnement des conduits</b> ..... | <b>20</b> |
| Méthodes de ventilation .....  | 20        |
| Préparation .....  | 20        |
| <b>Installation</b> .....  | <b>21</b> |
| <b>Connexion électrique</b> .....                                    | <b>24</b> |
| <b>Instruction d'utilisation et d'entretien</b> .....                | <b>24</b> |
| <b>Description de la hotte et des commandes</b> .....                | <b>24</b> |
| Commandes.....   | 25        |
| <b>Entretien</b> .....   | <b>26</b> |
| <b>Accessoires disponibles</b> .....                                 | <b>26</b> |
| <b>Dépannage</b> .....   | <b>26</b> |
| <b>Garantie</b> .....  | <b>29</b> |

**APPROUVÉ POUR LES APPAREILS DE TYPE RÉSIDENTIEL  
POUR UNE UTILISATION RÉSIDENTIELLE SEULEMENT  
LISEZ CES INSTRUCTIONS ET CONSERVEZ-LES**

**VEUILLEZ LIRE CES INSTRUCTIONS AU COMPLET AVANT DE COMMENCER.**

**L'INSTALLATION DE L'APPAREIL DOIT RESPECTER TOUS LES CODES EN VIGUEUR.**

**IMPORTANT :** Conservez ces instructions afin de pouvoir les remettre à l'inspecteur-électricien de votre région.

**INSTALLATEUR :** Veuillez laisser ces instructions avec l'appareil pour le propriétaire.

**PROPRIÉTAIRE :** Veuillez conserver ces instructions pour pouvoir vous y référer plus tard.

**Avertissement de sécurité :** Coupez l'alimentation du circuit dans le panneau électrique et verrouillez le panneau avant de raccorder les fils de cet appareil.

**Exigence :** 120 V c.a., 60 Hz circuit de dérivation de 15 V c.a., 20 Hz, de 15 ou 20 A.



# LISEZ CES INSTRUCTIONS ET CONSERVEZ-LES

## Avis de sécurité important

### ATTENTION

UTILISER CET APPAREIL À DES FINS DE VENTILATION GÉNÉRALE SEULEMENT. NE PAS UTILISER CET APPAREIL POUR ÉVACUER DES MATÉRIAUX OU DES VAPEURS DANGEREUX OU EXPLOSIFS.

### AVERTISSEMENT

POUR RÉDUIRE LES RISQUES D'INCENDIE, DE CHOC ÉLECTRIQUE ET DE BLESSURE, RESPECTER LES DIRECTIVES SUIVANTES :

- A. Utiliser cet appareil uniquement aux fins prévues par le fabricant. Si vous avez des questions à propos de l'appareil, communiquez avec le fabricant.
- B. Avant de faire l'entretien de l'appareil ou de le nettoyer, coupez l'alimentation dans le panneau électrique et verrouillez le panneau en bloquant le dispositif permettant d'empêcher d'activer l'alimentation accidentellement. S'il n'est pas possible de verrouiller l'accès au panneau, fixez une étiquette très voyante au panneau électrique.
- C. Une personne qualifiée doit effectuer l'installation et le câblage des fils électriques en conformité avec tous les codes et toutes les normes, y compris la cote de résistance au feu.
- D. Il est important de prévoir suffisamment d'air pour assurer une bonne combustion de l'équipement de chauffe et l'évacuation adéquates des gaz par le conduit de cheminé afin de prévenir les refoulements d'air. Respectez les directives et les normes de sécurité des fabricants de l'équipement de chauffage, comme celles publiées par la National Fire Protection Association (NFPA), la American Society for Heating, Refrigeration and Air Conditioning Engineers (ASHRAE) et le code des autorités de votre région.
- E. Au moment de couper ou de percer un mur ou un plafond, assurez-vous de ne pas endommager la filerie électrique ou tout autre accès à un service public.
- F. Il faut toujours évacuer à l'extérieur les systèmes à conduit.

### ATTENTION

Pour réduire les risques d'incendie et évacuer l'air correctement, assurez-vous que le conduit mène à l'extérieur; il ne faut pas évacuer l'air dans l'espace entre les murs, dans les plafonds, dans les greniers, les vides sanitaires ou les garages.

### AVERTISSEMENT

POUR RÉDUIRE DES RISQUES D'INCENDIE, UTILISEZ UNIQUEMENT DES CONDUITS EN MÉTAL.

Installez cette hotte en respectant toutes les exigences mentionnées.

### AVERTISSEMENT

Pour réduire les risques d'incendie et de choc électrique, n'utilisez pas cette hotte avec un contrôleur de vitesse à semi-conducteurs.

### AVERTISSEMENT

POUR RÉDUIRE LES RISQUES D'INCENDIE DE GRAISSE SUR LES CUISINIÈRES.

- a) Ne laissez jamais la cuisinière sans surveillance lorsqu'elle est réglée à une haute température. Les débordements par bouillonnement causent de la fumée et des débordements de gras qui peuvent s'enflammer. Faites chauffer l'huile lentement, à une température basse ou moyenne.
- b) Faites toujours fonctionner la hotte lorsque vous utilisez la cuisinière à une haute température ou que vous faites flamber des aliments (P. ex. : crêpes Suzette, cerises jubilé, boeuf au poivre flambé).
- c) Nettoyez les hélices de ventilation fréquemment. Il ne faut pas que la graisse s'accumule sur les filtres ou les hélices.
- d) Utilisez le bon format de casserole. Utilisez toujours un chaudron de taille approprié à l'élément de la cuisinière.

### AVERTISSEMENT

POUR ÉVITER DE BLESSER QUELQU'UN LORS D'UN INCENDIE DE GRAISSE SUR LA CUISINIÈRE, SUIVRE LES CONSEILS SUIVANTS:<sup>a</sup>

- a) ÉTOUFFER LES FLAMMES avec un couvercle aux dimensions de la tache de cuisson, une tôle à biscuit ou tout autre plateau métallique, puis couper le gaz ou l'alimentation électrique de la cuisinière. FAIRE ATTENTION A NE PAS SE BRÛLER. Si les flammes ne s'éteignent pas immédiatement, QUITTER LA PIÈCE ET APPELER LES POMPIERS.
- b) NE JAMAIS PRENDRE EN MAIN UNE CASSEROLE EN FEU, vous pourriez vous blesser.
- c) NE PAS UTILISER D'EAU, y compris les essuies de vaisselle ou les serviettes humides – une violente explosion due à la vapeur formée pourrait survenir.
- d) Utiliser un extincteur SEULEMENT si:
  - 1) Vous êtes sûr d'avoir un extincteur de classe ABC que vous savez utiliser.
  - 2) Le feu est petit et confiné à la zone où il s'est formé.
  - 3) Les pompiers ont été appelés.
  - 4) Vous pouvez lutter contre le feu avec une sortie derrière vous.

<sup>a</sup>Recommandations tirées des conseils de sécurité en cas d'incendie de cuisine publiés par la NFPA.

### MODE OPÉRATOIRE

- a. Toujours laisser les grilles de sécurité et les filtres à leur place. Sans la présence de ces derniers, les parties aspirantes pourraient attirer les cheveux, les doigts ou les vêtements.

Le fabricant décline toute responsabilité si les informations détaillées dans ce manuel pour l'installation, l'entretien et l'utilisation adéquate du produit ne sont pas observées. Le fabricant décline en outre toute responsabilité pour d'éventuelles blessures dues à des négligences; en outre, la garantie de l'appareil sera annulée suite à des conditions d'entretien inappropriées. Cet appareil est fabriqué pour un usage interne. Ne pas utiliser cet appareil à l'extérieur.

# Exigences électriques et exigences d'installation

## Exigences électriques

### IMPORTANT

Respectez tous les codes et les ordonnances en vigueur.

Le client a la responsabilité de :

Contactez un électricien-installateur.

Vérifier que l'installation électrique est adéquate et conforme avec le Code national de l'électricité, ANSI/NFPA 70 (la plus récente édition\*), ou les normes C22.1-94, Code canadien de l'électricité, Partie 1 et C22.2 No.0-M91 (La plus récente édition\*\*) de la CSA, ainsi que tous les codes et les ordonnances de votre région.

Si le code le permet et que vous utilisez un fil de mise à la terre distinct, il est recommandé de faire vérifier le chemin du fil par un électricien.

Ne pas mettre l'appareil à la terre sur une conduite de gaz. Consultez un électricien qualifié si vous n'êtes pas certain que la hotte est mise à la terre correctement. N'installez pas un fusible dans le circuit neutre ou le circuit de mise à la terre.

### IMPORTANT

Conservez ces instructions afin de pouvoir les remettre à l'inspecteur-électricien.

La hotte doit être câblée uniquement à l'aide de fils de cuivre.

Il faut raccorder la hotte directement à une boîte à fusible ou à un disjoncteur par l'entremise d'une canalisation électrique en métal.

Le calibre de fil doit être conforme aux exigences du Code national de l'électricité, ANSI/NFPA 70 (La plus récente édition\*), ou les normes C22.1-94, Code canadien de l'électricité, Partie 1 et C22.2 0-M91 (La plus récente édition\*\*) de la CSA, ainsi que tous les codes et les ordonnances de votre région.

Il faut prévoir un connecteur de canalisation approuvé par l'UL ou la CSA à chaque extrémité de la canalisation d'alimentation (À la hotte et à la boîte de jonction).

Vous pouvez obtenir un exemplaire des normes indiquées en vous adressant à :

\* La National Fire Protection Association, Batterymarch Park  
Quincy, Massachusetts, 02269

\*\* La CSA International, 8501 East Pleasant Valley Road,  
Cleveland, Ohio, 44131-5575

## Avant d'installer la hotte

1. Pour assurer la ventilation la plus efficace possible, installez la conduite en ligne droite ou avec le moins de coudes possibles.  
ATTENTION : La sortie de la conduite de ventilation doit donner sur l'extérieur.
2. Deux personnes sont nécessaires pour effectuer l'installation.
3. La quincaillerie fournie permet de fixer la hotte à la plupart des murs et des plafonds; consultez un installateur qualifié pour vous assurer que la quincaillerie fournie est adaptée à votre type de mur ou d'armoire.
4. N'utilisez pas de conduit flexible.
5. Dans le cas des endroits sujets aux TEMPÉRATURES FROIDES, il faut installer un clapet de contre-tirage supplémentaire afin de minimiser le retour d'air froid et un isolant thermique non métallique afin de minimiser la conduction de la température extérieur dans le conduit. Il faut placer le clapet du côté de l'air froid de l'isolant thermique. L'isolant doit être placé le plus près possible de l'endroit où le conduit entre dans la partie chauffée de la maison.
6. Air d'appoint : Le code du bâtiment de votre région peut exiger l'utilisation d'un système d'air d'appoint si vous utilisez un système de ventilation à conduit dont le mouvement d'air dépasse un certain nombre de CFM. Le nombre de pi<sup>3</sup>/min varie d'une région à l'autre. Consultez un professionnel de CVC pour connaître les exigences précises de votre région.

# Liste des pièces

## Pièces fournies

Enlever l'emballage

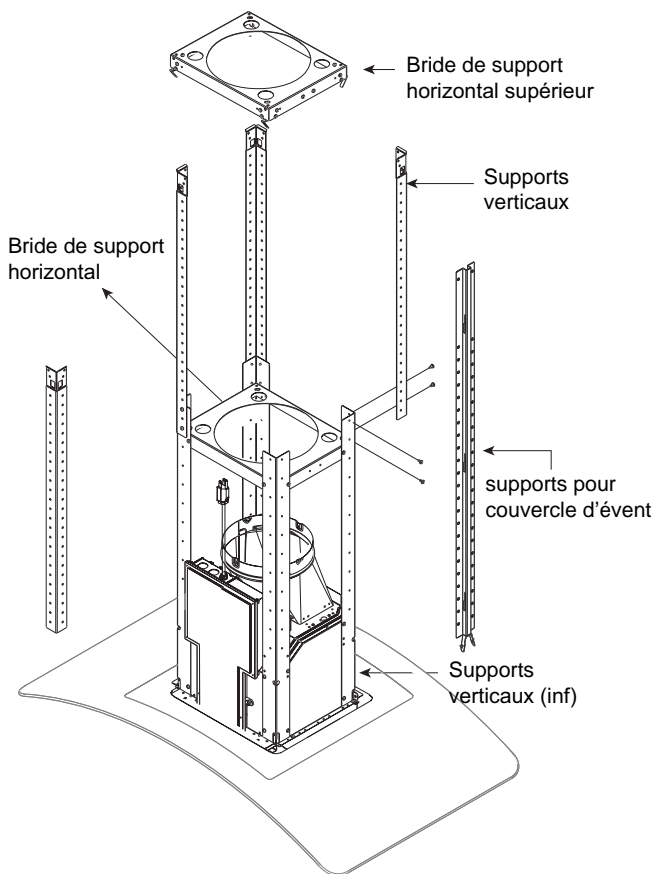
### ATTENTION

Enlever délicatement le carton, Porter des gants pour se protéger des bords coupants.

### AVERTISSEMENT

Enlever le film de protection recouvrant le produit avant de commencer l'opération.

- Structure de la hotte assemblée avec ventilateur, raccord.
- 2 lampes déjà installées.
- 1 Filtre anti-graisse
- 4 Conduits de cheminée.
- Kit quincaillerie comprenant:
  - Gabarit de montage plafond
  - Guide d'utilisation, entretien et installation
  - Vis à bois (4 pièces - 3/16" x 1" 3/4)
  - Crochets de verre, Ressorts, Joints (2 de chaque)
  - Vis d'assemblage (74 pièces)
  - 4 ressorts en plastique
  - Crochets de conduits de cheminée (4 de chaque)
- 8 supports verticaux.
- 2 supports de conduit de cheminée supérieur.
- 2 supports horizontaux.
- Couverture en verre (déjà installée)

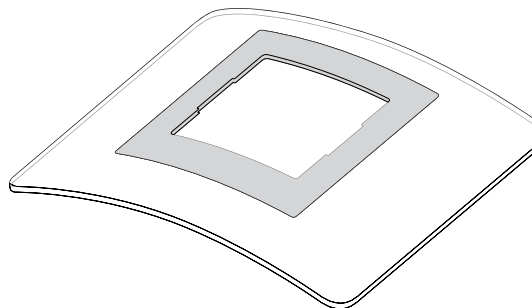


## Pièces non fournies

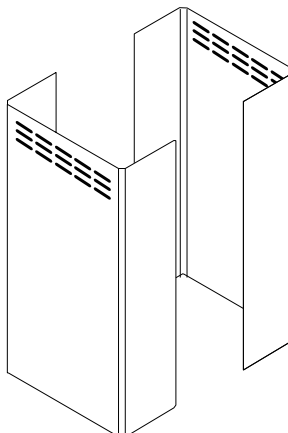
### Outils nécessaires

- Ecrus métalliques
- Ruban pour le gabarit de montage
- Conduit métallique circulaire de 8" pour parfaire l'installation
- Mètre ruban
- Tenailles
- Gants
- Couteau
- Lunettes de sécurité
- Foreuse électrique 5/16" et 3/8"
- Réducteur de tension
- Niveau
- Toile isolante
- 2 tournevis Phillips (Pozidrive)
- Dénudeur
- Ruban de masquage
- Marteau
- Scie, scie circulaire

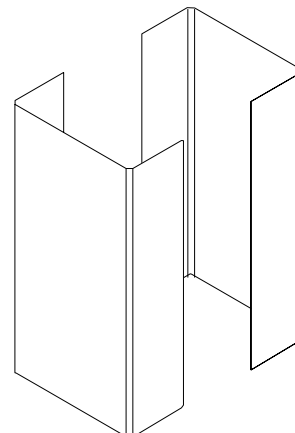
### Couverture en verre



### Conduit de cheminée (sup)



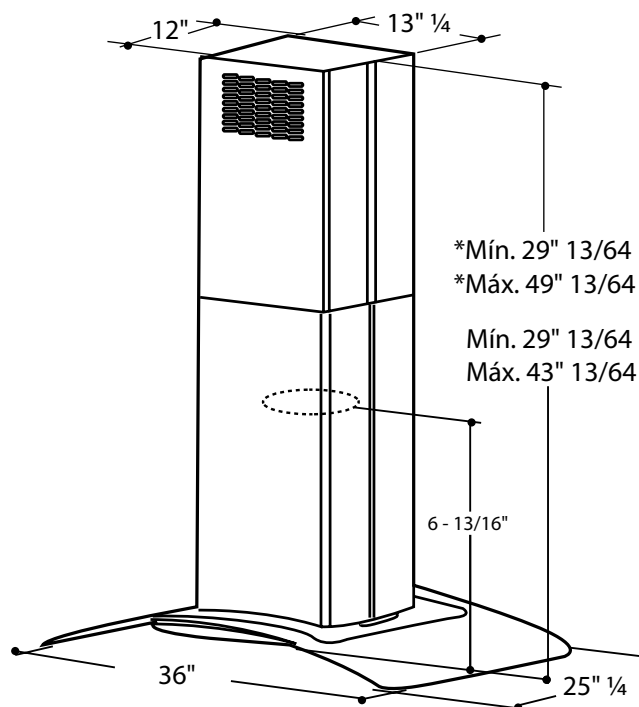
### Conduit de cheminée (inf)



### Accessories

|                             |               |
|-----------------------------|---------------|
| Ensemble de recyclage       | KIT ISLAND    |
| Ensemble Filtre à charbon   | CHF KIT DEKOR |
| Ensemble Clapet anti-retour | NRV DEKOR     |
| Ensemble Filtre à graisse   | GRF KIT DEKOR |

# Dimensions et Dégagement



**\*Version de hotte à recyclage SEULEMENT**

**AVERTISSEMENT:** La hauteur de la version d'aspiration considérée localiser le grille derrière le conduit de cheminée inférieur (à l'envers).

## Exemples et possibilités de positionnement des conduits

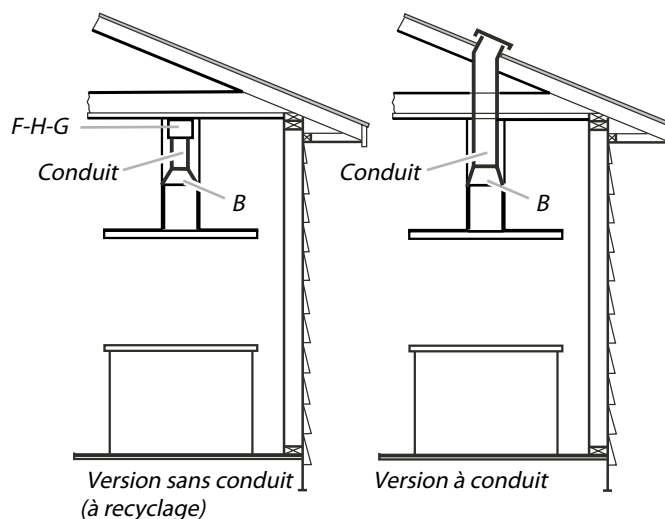
Suivez à la lettre les directives présentées dans ce manuel.

Le fabricant refuse toute responsabilité en ce qui a trait à tout préjudice, dommage ou incendie causé par la non observation des directives contenues dans le présent manuel.

### Méthodes de ventilation

La hotte est dotée d'une transition B afin d'évacuer les vapeurs à l'extérieur (version à conduit).

S'il s'avère impossible d'évacuer la fumée et les vapeurs de cuisson à l'extérieur, il est possible de transformer la hotte en version sans conduit (Recyclage) Fixer un filtre au charbon et le déflecteur F sur le support de couvercle de conduit G. La fumée et la vapeur sont recyclées par la grille supérieure H par l'entremise d'un conduit raccordé à la transition B et à la transition montée sur le déflecteur F.



### Préparation

Ne coupez pas une solive ou un montant à moins qu'il soit absolument nécessaire de le faire. Si vous devez couper une solive ou un montant, vous devez construire un cadre de soutien.

La quincaillerie fournie permet de fixer la hotte à la plupart des murs et des plafonds.

Vous devez cependant demander à un technicien qualifié de vérifier la solidité des matériaux selon le type de mur ou de plafond.

Avant de couper, assurez-vous qu'il y a un dégagement suffisant dans le plafond ou le mur pour passer la conduite de sortie.

Vous pouvez déterminer vous-même la hauteur à laquelle vous installez la hotte au dessus de la cuisinière. Plus la hotte est près de la cuisinière, plus elle est efficace à capter les odeurs de cuisson, la graisse et la fumée.

### ATTENTION:

**POUR 8' PLAFONDS: METTEZ LA HOTTE AFIN D'AVOIR ENTRE LE BORD INFÉRIEUR DE LA HOTTE ET LE PLAN DE CUISSON UNE DISTANCE DE 27" (68,6 CM).**

**POUR 9' PLAFONDS: METTEZ LA HOTTE AFIN D'AVOIR ENTRE LE BORD INFÉRIEUR DE LA HOTTE ET LE PLAN DE CUISSON UNE DISTANCE DE 30" (76,2 CM).**

Vérifiez donc la hauteur de votre plafond et la hauteur maximum de la hotte avant de choisir votre modèle de hotte.

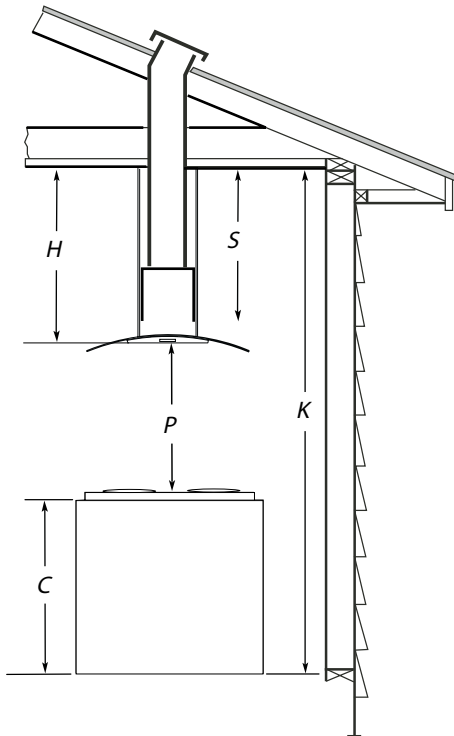
# Installation

## Installation - Version à conduit

### 1. Calculs avant l'installation

- K** = Hauteur de la cuisine
- C** = Hauteur du comptoir (36 po standard)
- P** = Hauteur désirée de la hotte  
Du bas de la hotte au comptoir
- H** = Hauteur de la hotte dans votre installation
- H** =  $K - C - P$
- S** = Hauteur de la structure de cheminée dans votre installation
- S** =  $H - 1 \frac{3}{8}$  po

- a) Déterminez la hauteur de la hotte P qui est confortable pour l'utilisateur.
- b) Calculez la hauteur d'installation de la hotte en utilisant la formule suivante :  $H = K - C - P$ .
- c) Confirmez que la valeur de H se situe entre la valeur minimum et maximum de H pour votre modèle (Voir le paragraphe "Dimensions et dégagement"). Si ce n'est pas le cas, ajustez votre installation.
- d) Calculez la hauteur de la structure de cheminée (S). Notez ce calcul pour y revenir plus tard durant l'installation.

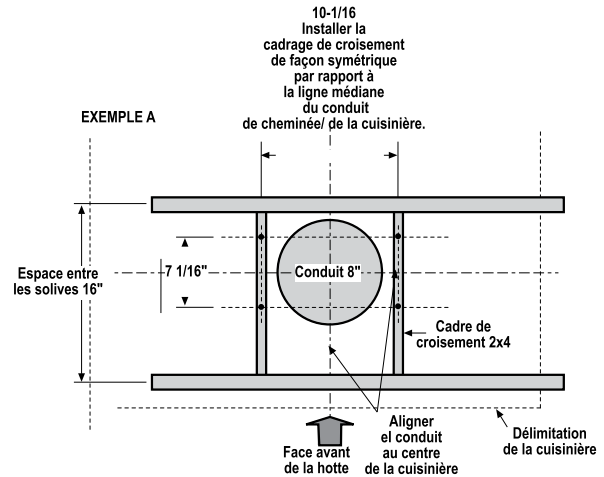
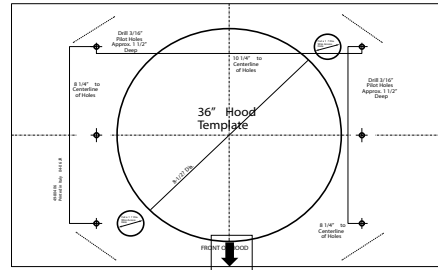


### Structures de support plafond

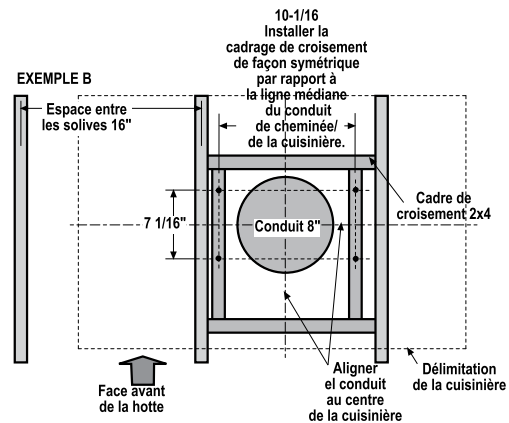
- Cette hotte de ventilation est lourde.
  - Des structures et des supports adéquats doivent être fournis pour les types d'installations.
  - A l'endroit de la hotte, installer un cadrage croisé de 2"x 4" entre les solives du plafond comme indiqué. (2"x 4" sont nécessaires pour supporter le poids de la hotte.)
  - Ajuster le cadrage sur le plafond par rapport à la structure existante.
- a) Vos solives de plafond doivent être comme un des exemples suivants.

## IMPORTANT

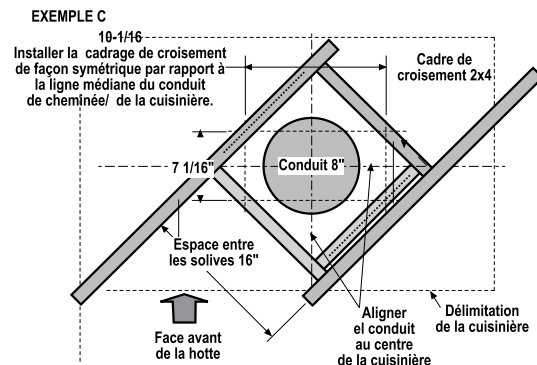
Le cadre doit être capable de supporter 150lbs.



Vue du dessus – Solives du plafond parallèles à la face avant de la hotte

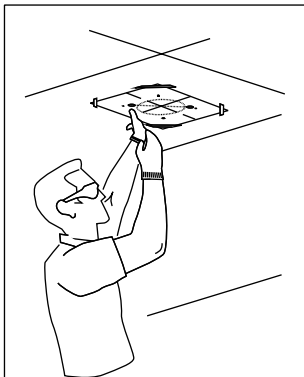


Vue du dessus – Solives du plafond perpendiculaires à la face avant de la hotte

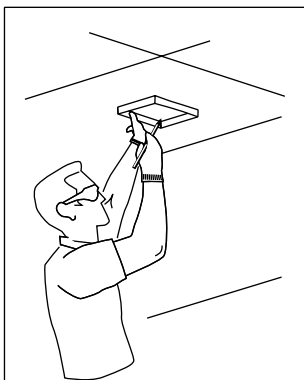


Vue du dessus – Solives du plafond placées en angle par rapport à la face avant de la hotte

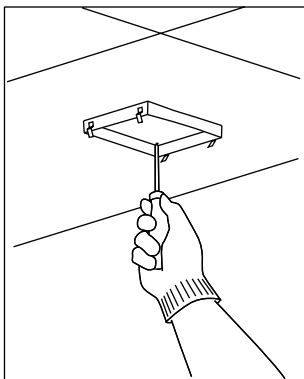
- Placez le gabarit dans le plafond étant donné les directives pour les structures du support du plafond. Toujours considérez le de légende du capuchon quand jouer le gabarit sur le plafond. Il définira l'emplacement du contrôle.



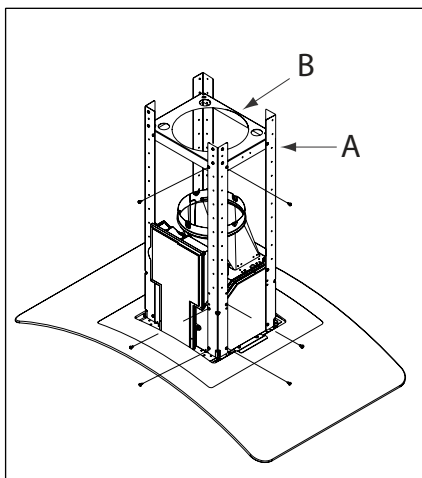
- Marquer avec un crayon les emplacements des trous pour les vis et le conduit sur le plafond.



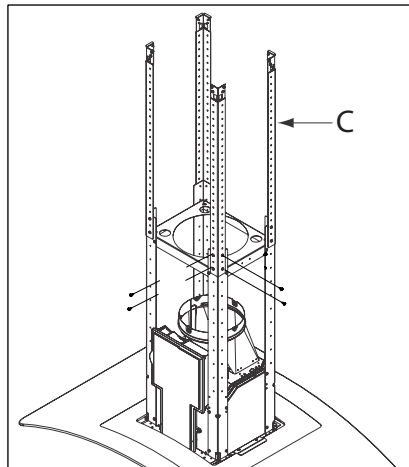
- Fixer le support horizontal supérieur à l'aide de 4 vis à bois.



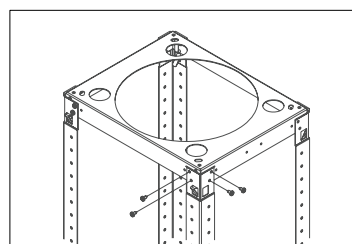
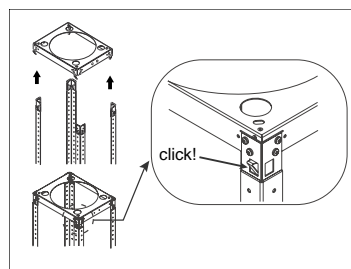
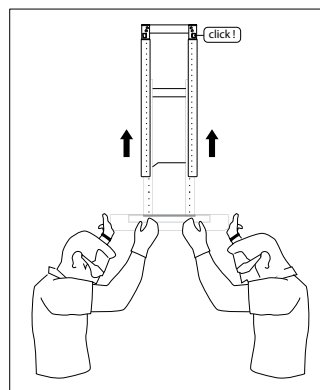
- Placez le capot sur une table pour protéger le verre. Fixez les 4 supports verticaux inférieurs (A) à la hotte avec 16 vis d'assemblage (4 par angle). Ensuite, fixez le support inférieur horizontal (B) avec 8 vis de montage (2 par angle).



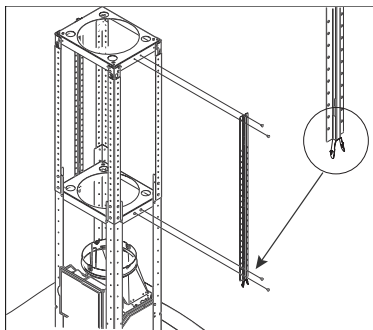
- La position de l'appareil de support vertical supérieur permettra de déterminer l'hauteur totale de la hotte. Reporter à la ligne minimale et maximale des extensions de dessin afin de déterminer qui est la dimension plus appropriée en fonction de la hauteur de votre plafond. Il faut toujours prendre en considération l'installation minimale hauteur déclaré dans ce manuel. Position des supports verticaux supérieurs (C) à la bonne hauteur et les attacher avec des 16 vis de installation (4 par angle).



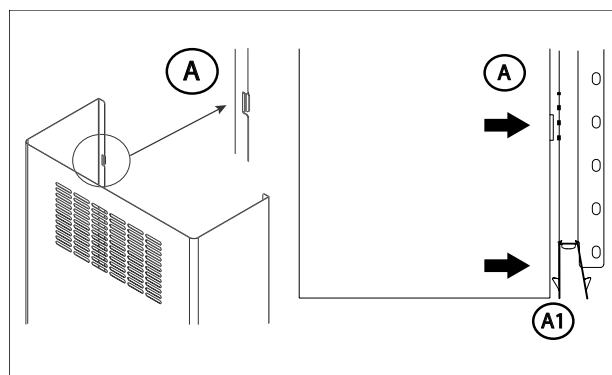
- Soulevez délicatement l'assemblage jusqu'à la soutient verticale supérieure sont enfermés avec les ressorts du support 4 horizontal supérieur est. Fixez avec 16 vis d'assemblage (4 par angle). Remarque: Au moins 2 personnes sont nécessaires pour cette opération.



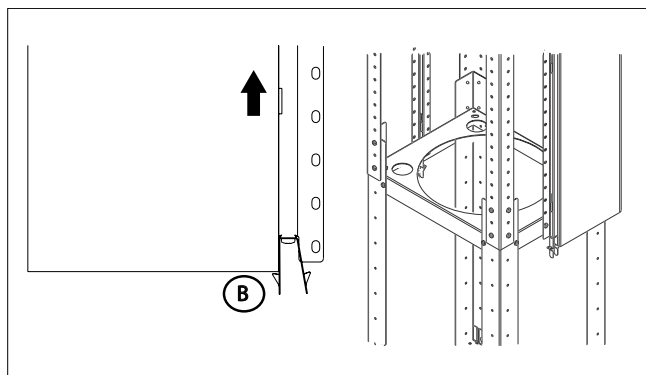
- Fixez le soutien de couvercle conduit a l'aide de vis 4 de assembly.



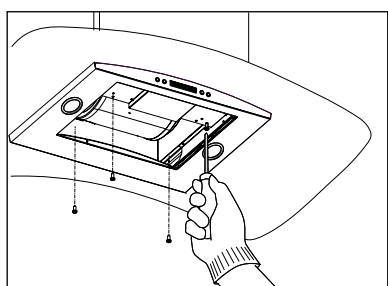
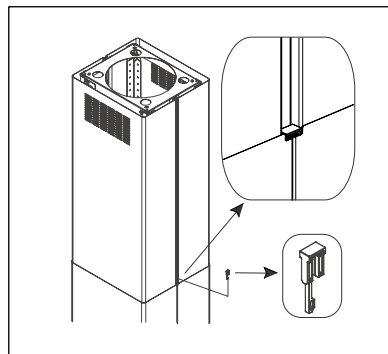
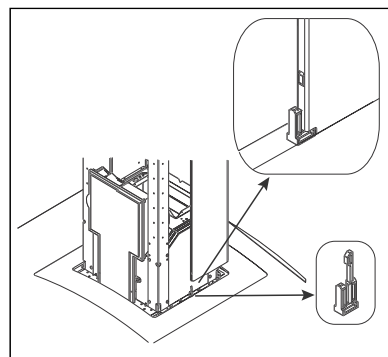
- Pour placer le canal supérieur couvre, assurez-vous que les pattes du couvercle du conduit sont alignés et introduite dans le conduit en acier inoxydable couvrir les fentes de soutien comme indiqué dans l'image "A". Tout en alignant et en insérant les onglets, la partie inférieure de la couverture doit être conduit en poussant le ressort métallique à l'intérieur à tout moment, comme indiqué dans "A1". Garder le couvre-conduit dans cette position.



- Pour verrouiller le canal supérieur couvercle en place, glissez-le vers le haut en vous assurant que tous les onglets rester à l'intérieur des fentes respectives. En glissant vers le haut couvercle du conduit, assurez-vous que la partie inférieure du couvercle du conduit est bloqué par le ressort métallique comme indiqué dans "B" Un déclic se fera entendre.  
AVERTISSEMENT: 2 personnes sont nécessaires pour cette opération.



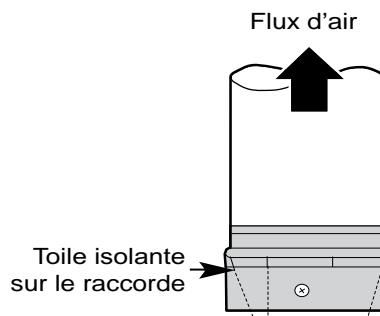
- Place canal inférieur couvre en utilisant une 'équerre en plastique à chaque sommet (4 nécessaire).



Le couvercle inférieur conduits doivent être assujettis à la hotte ranger avec 4 vis de montage.

### Raccorder le conduit

- Installer le conduit, effectuer les raccords dans la direction du flux d'air comme illustré.
- Pousser le conduit dans la sortie d'évacuation.
- Recouvrir tous les joints des conduits et les raccords à la bride avec de la toile isolante pour une fermeture hermétique.
- Effectuer la même opération pour le raccordement à l'évacuation dans le mur ou dans le plafond.



## Connexion électrique

### AVERTISSEMENT

#### Danger de choc électrique

**AVERTISSEMENT : Coupez l'alimentation du circuit dans le panneau électrique avant de raccorder les fils de cet appareil.**

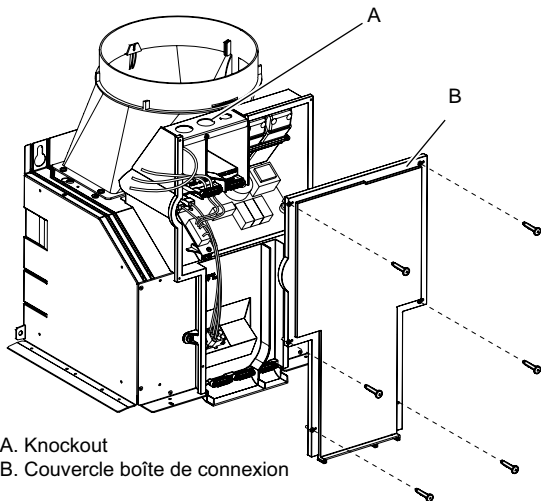
**Un circuit de 120 V c.a., de 15 ou 20 A est requis.**

#### INSTRUCTIONS DE MISE À LA TERRE

CET APPAREIL EST MUNI D'UNE BOÎTE DE JONCTION ÉLECTRIQUE À TROIS FILS, DONT L'UN (VERT/JAUNE) SERT À METTRE L'APPAREIL À LA TERRE. POUR VOUS PROTÉGER CONTRE LES CHOCS ÉLECTRIQUES, VOUS DEVEZ RACCORDER LE FIL VERT/JAUNE AU FIL DE MISE À LA TERRE DU SYSTÈME ÉLECTRIQUE DE VOTRE MAISON. EN AUCUNE CIRCONSTANCE CE FIL DOIT ÊTRE COUPÉ OU ENLEVÉ.

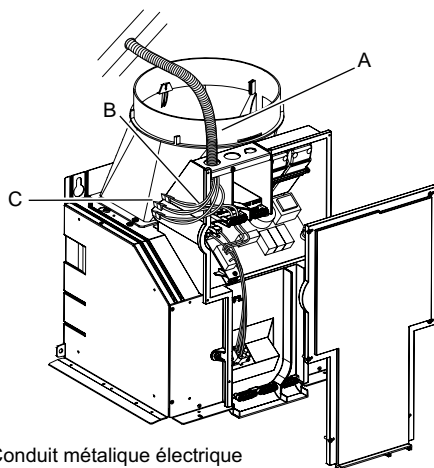
**Le fait de ne pas respecter cette directive peut entraîner la mort ou un choc électrique.**

En faisant face à l'avant de la hotte, retirez l'alvéole défonçable de gauche et le couvercle de la boîte de jonction et installez un connecteur de canalisation (Listé dans cULus) dans la boîte de jonction.



A. Knockout  
B. Couvercle boîte de connexion

- Si ce n'est pas déjà fait, installer un tube de raccordement de 1/2" dans la boîte de connexion.



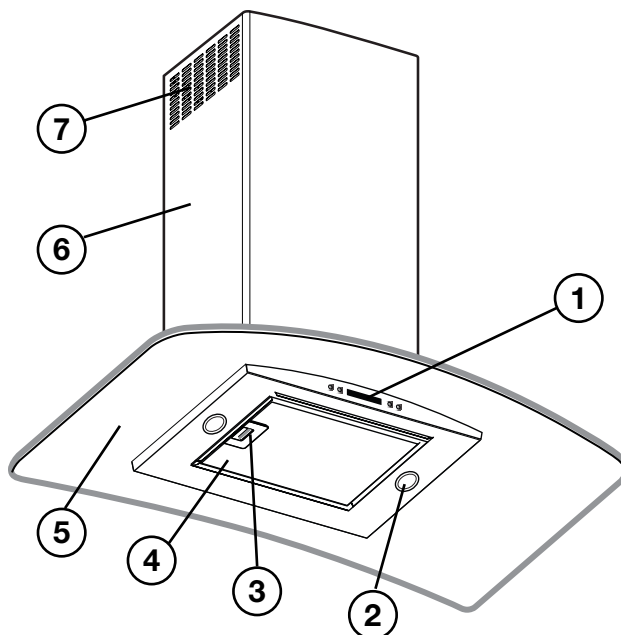
A. Conduit métallique électrique  
B. Boîte de fils  
C. Ecrou métallique liste U.L.

## Connexion électrique

- Pour connecter le «Neutre», commune par un écrou de fil le fil blanc (à partir du conduit) pour le fil blanc de la boîte de jonction.
- Pour connecter la «Ligne», commune par un écrou de fil le fil noir (à partir du conduit) au fil noir de la jonction boîte.
- Pour connecter le «Ground», commune par un écrou de fil le fil vert jaune (à partir du conduit) pour le vert / jaune fil de la boîte de jonction.
- Poussez les fils dans la boîte de jonction.

**IMPORTANT:** Assurez-vous que les fils ne sont pas pincés lorsque le couvercle de la boîte de jonction est sécurisé avec les vis d'origine.

## Instructions d'utilisation et d'entretien

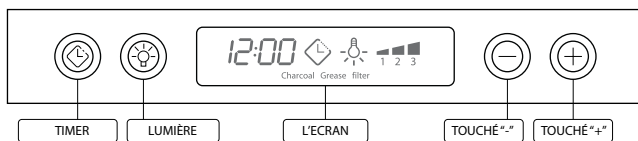


1. Commande soufflerie et lumières
2. Emplacements des ampoules
3. Filtre anti-graisse
4. Couverture en verre
5. Conduit de cheminée
6. Trous de ventilation (Uniquement pour la version avec recyclage d'air)



## Commande

Ce capot est équipé d'un moteur électronique et le contrôle de la lampe. Le contrôle est en mesure de fixer ventilateur à 3 vitesses différentes, tournez ON / OFF et lumière a une fonction de minuterie. Dans le dessin following sont décrites les principales rencontres associatives clés.



### 1. Touche Timer

- Le réglage de la minuterie par défaut est 10 minutes, et peut ajustée entre 20 minutes et 1 minute.
- Après avoir appuyé sur la touche de minuterie, le contrôle d'entrée à un mode de configuration de compte à rebours, et l'utilisateur peut ajuster le temps compte à rebours avec le "-" et "+" clés dans les 5 secondes. La minuterie peut être engagée immédiatement en appuyant sur la touche de minuterie, après avoir fixé la durée minuterie ou en appuyant sur la minuterie touche deux fois (paramètre par défaut 10 minutes).
- Si ce n'est pas l'action se produit dans les 5 secondes du compte à rebours va commencer.
- Pendant la configuration de minuterie du "-" et "+" touches sont dédiées à la minuterie et aucune action motrice se produira.
- Une fois amorcée la minuterie, il peut être annulé en appuyant sur la touche de minuterie à nouveau.

### 2. Touche Lumière

- Appuyez sur la lampe touche pour allumer la lumière (lampe précédemment état OFF).
- Appuyez sur la lampe pour éteindre la lumière (lampe précédemment état ON).

### 3. Display

- Montre l'état de la hotte.

### 4. "-" Touche Diminution de vitesse / OFF

- Cette touche est utilisée pour diminuer la vitesse du moteur et pour éteindre la hotte.
- Le moteur s'éteint en appuyant sur la hotte "-" si la hotte se trouve à la première vitesse.
- Si le moteur se trouve à la deuxième vitesse et si l'on appuie sur la touche "-", le moteur passe à la première vitesse.
- Si le moteur est éteint et que l'on appuie sur "-", le display s'illumine.

### 5. "+" Touche Augmentation vitesse /ON

- Ce touche est utilisé pour augmenter la vitesse de l'hélice, ou branchez le ventilateur.
- Le ventilateur s'allumera si "+" touche est la presse et le capot était éteint.
- Si le ventilateur est à la première vitesse et "+" touche est pressé, le ventilateur sera placé à la deuxième vitesse.
- Si le ventilateur est à la deuxième vitesse et "+" touche est pressé, le ventilateur sera placé à la troisième vitesse.
- Si le ventilateur est à la troisième vitesse et "+" touche est pressé, un signal sonore retentira.

### Programmation Horloge

- L'horloge peut être reprogrammée à tout moment excepté pendant un fuction synchronisé actif.
- L'horloge peut être montrée dans un format de douze

heures et les temps d'horloge valides sont de 1:00 à 12:59.

- L'horloge peut être reprogrammée appuyant sur le bouton de "Timer" pendant 5 secondes, et après, l'horloge peut être ajustée avec "+" et "-" des boutons.
- Deux points ":" clignotera indiquant le mode 100 d'horloge.
- L'utilisateur peut avoir des incréments/décroissances minutieux de 1 minute, mais si le pressurage de subsistance d'utilisateur "+" / "-" les boutons pour plus de 1 seconde, les incréments/décroissances auront lieu de 5 minutes. Pendant cette option la commande rond aux 5 minutes les plus proches.
- L'utilisateur peut finir sur reprogrammer l'horloge appuyant sur le bouton de "Timer".
- Après 1 minute sans bouton a pressé la commande acceptera le temps d'horloge programmé et ajoutera une minute à l'horloge.

### Signal saturation Filtres anti-graisses (En Option)

- Après 30 heures de fonctionnement du moteur, apparaît sur le display l'indication "Grease Filter" si le moteur est allumé. Quand ce signal apparaît sur le display, le filtre installé doit être lave.
- Pour remettre à zéro le signal de saturation des filtres, l'utilisateur doit appuyer sur la touche "+" pendant 5 secondes, après quoi, le signal "Grease Filter" disparaît et le display montre l'état de fonctionnement.

### Signal saturation Filtre au Carbone (En Option)

- Après 120 heures de fonctionnement du moteur, apparaît sur le display l'indication "Charcoal Filter" si le moteur est allumé. Quand ce signal apparaît sur le display, le filtre à charbon installé doit être remplacé ou réactive.
- Pour remettre à zéro le signal de saturation des filtres, l'utilisateur doit appuyer sur la touche "-" pendant 5 secondes, après quoi, le signal "Charcoal Filter" disparaît et le display montre l'état de fonctionnement.

### Activation/Désactivation signal acoustique

- Les signaux sonores peuvent être activés ou désactivés en appuyant sur la touche "Lumière" pendant 5 secondes.
- Si le signal sonore est activé, un son est émis et le symbole "Snd" doit apparaître sur le display pendant 2 secondes.
- Si le signal sonore est désactivé, le symbole "Snd" doit apparaître sur le display pendant 2 secondes et aucun son ne doit être émis.

### Activation/Désactivation signal Filtre Charbon (version Filtrante)

- L'activation et la désactivation du signal saturation filtre charbon peut être réglé en appuyant simultanément pendant 5 secondes sur les touches "-" e "+".
- L'activation ou la désactivation doit être réglée avec moteur et lampes OFF.
- Quand le signal Filtre Charbon est désactivé, l'alarme est désahabilitéée.

### Capteur de chaleur

- Le contrôle est équipé d'un capteur de chaleur qui fera tourner sur le ventilateur à vitesse seconde s'il se produit chaleur excessive (Plus de 70 ° C) entourant la zone de contrôle.
- Si le ventilateur est OFF ou si est fonctionne à la première vitesse, le ventilateur sera automatiquement au deuxième vitesse,
- Durant cet état, l'utilisateur peut uniquement augmenter la vitesse du moteur.
- Quand la température retourne sous le seuil d'alarme, le moteur retourne dans sa condition précédente à l'alarme.

## Filtre à graisse métallique d'entretien

Le filtre à graisse métalliques pièges libérée par les aliments sur la table de cuisson. Le filtre doit toujours être-Lorsque la hotte est installée exploitation / utilisé.

### Pour supprimer:

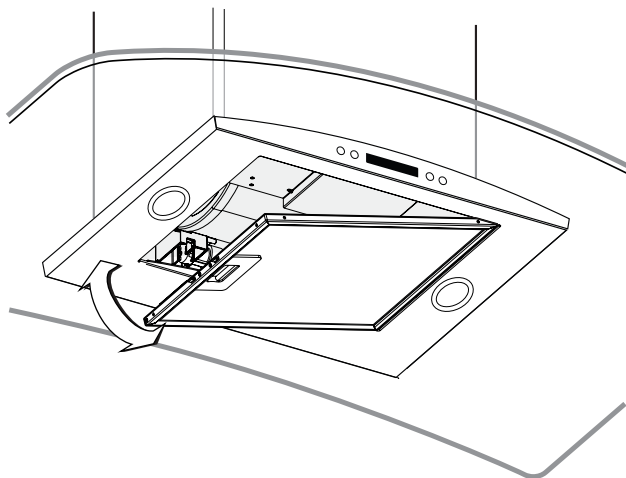
- Poussez le verrou de filtre / pivot dans la direction du centre de la filtre.
- Une fois que le pivot est push-pull le filtre lentement.

### Pour remplacer:

- Insérez les languettes dans les fentes du filtre
- Poussez le verrou de filtre / pivot dans la direction du centre de la filtre.
- Une fois que le pivot est poussée, le filtre Soulevez lentement Jusqu'à ce que le haut et libérer le pivot.

### Pour nettoyer:

- Swish le filtre dans l'eau chaude savonneuse et rincer à nettoyer l'eau ou le laver dans le lave-vaisselle.
- Ne pas utiliser de nettoyeurs abrasifs.



## Entretien des hottes

- Nettoyer avec un chiffon humide et savonneuse et un chiffon sec propre avec A. Un nettoyeur de verre peuvent également être utilisés.  
ATTENTION: Ne pas mouiller le panneau de contrôle.
- Ne pas utiliser un tampon de laine d'acier;-t-il rayer la surface.
- Pour nettoyer la surface en acier inoxydable, utilisez chaude savonneuse eau, un nettoyeur en acier inoxydable ou en polonais. Toujours essuyer la surface dans le sens du grain. Suivez le nettoyeur des instructions pour le nettoyage de la surface en acier inox.

## Remplacer les ampoules

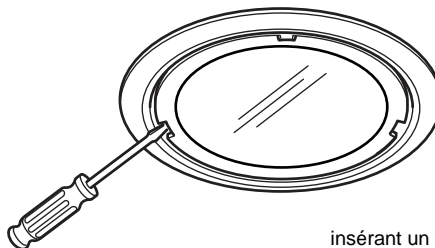
- Enlever le couvercle de la lampe intérieure en insérant un tournevis plat dans chacune des trois fentes et appuyer doucement pour le libérer.

**REMARQUE:** Ne pas enlever l'anneau extérieur de retenue (assemblage lampe).

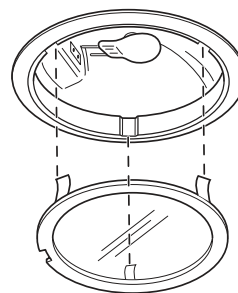
- Attraper l'ampoule et la retirer.
- Remplacer avec une ampoule halogène 12 volt, 20 watt à base G4 ADAPTEE POUR L'UTILISATION DANS LES LAMPES OUVERTES.

**Suivre les instructions sur l'emballage, porter des gants, ne pas toucher à mains nues.**

Replacer le couvercle en insérant les trois pattes de retenue dans les trois fentes et les presser fermement en place.



insérant un tournevis plat



Ampoule

Capot en verre

Si les nouvelles ampoules ne fonctionnent pas, s'assurer qu'elles sont insérées correctement avant d'appeler le service clientèle.

Remove the damaged light bulb and replace it with a new bulb rated 12 V, max 20 W, G4 base.

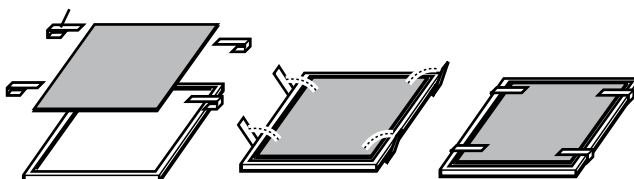
## Accessoires disponibles

### Placement du filtre au charbon (Accessoires de recyclage d'air)

Placer le matelas du filtre au charbon sur le côté supérieur de chaque filtre anti-graisse.

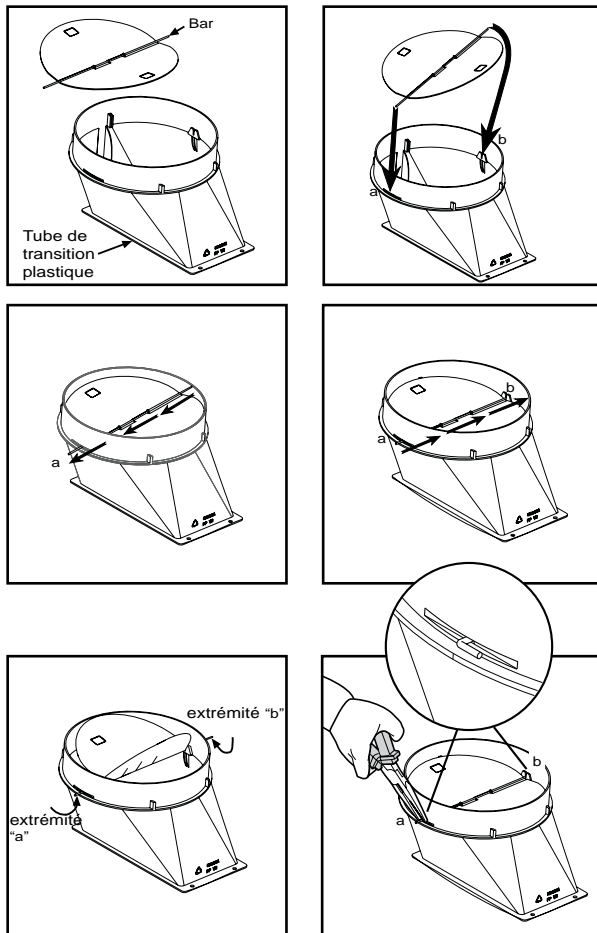
Utiliser les ressorts fournis pour le fixer en place.

**Remarque: Lorsque vous le retirerez pour le remplacer par un autre, n'enlever pas les ressorts de fixation, poussez-les simplement et faites-les tourner vers l'extérieur.**



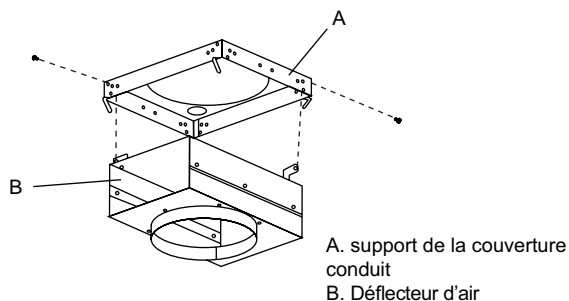
## Installation de clapet anti-retour (Accessoires des Recirculation)

- Insérez l'extrémité "A" de la bar dans le "tube de transition plastique", poussant vers l'extérieur jusqu'à ce qu'elle croise la matière (tube de transition plastique), avec un peu de force.
- Placez l'extrémité "B" de la bar dans le "tube de transition plastique". Poussez vers l'extérieur jusqu'à ce qu'elle croise la matière (tube de transition plastique) avec un peu de force, la bar doit être symétriquement des deux côtés.
- Avec la pince à plier les deux extrémités de la bar, vers le "tube de transition plastique".

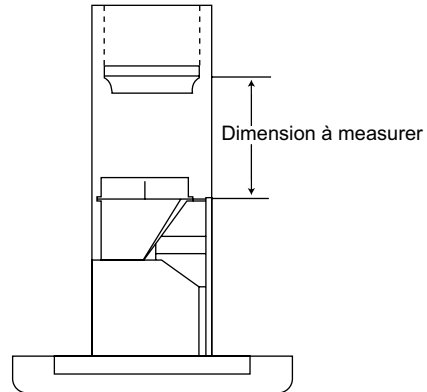


## Installation du Déflecteur d'air (recyclage Kit)

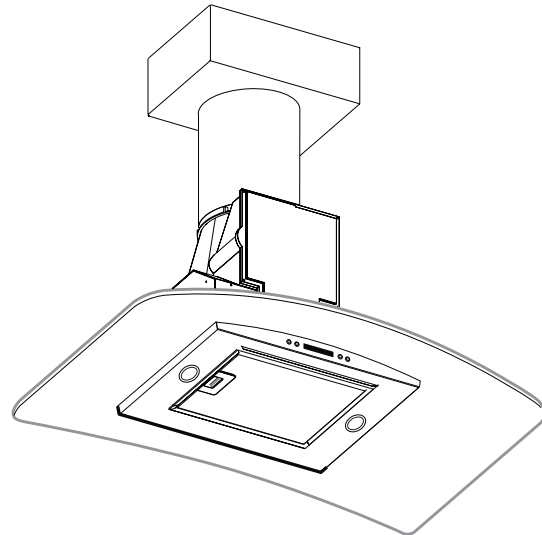
- Après le support de la couverture conduit a été installé sur le plafond (Reportez-vous aux instructions d'installation dans le Manuel de la hotte p.8), assembler le déflecteur d'air sur le support de la couverture conduit avec 2 vis d'assemblage, comme le montre l'image suivante.



- Prendre les mesures du fond du déflecteur d'air au fond de la sortie de la hotte, comme indiqué sur la figure.



- Couper le conduit à la dimension mesurée.
- Enlever le déflecteur d'air en retirant les 2 vis d'assemblage.
- Glisser le conduit dans le fond du déflecteur.
- Placer le déflecteur et le conduit assemblés sur la sortie d'évacuation de la hotte.
- Assembler le déflecteur d'air au crochet du conduit d'évacuation avec les 4 vis d'assemblage fournies comme indiqué sur la figure.
- Utiliser de la toile isolante pour sceller le déflecteur et à l'extrémité de l'évacuation extérieure de la hotte.



# DÉPANNAGE

| Problème                                     | Cause   | Solution  |
|--|---|---|
| La lampe ne s'allume pas                     | Contrôle électronique ne fonctionne pas en raison d'une tension excessive.  | a) Appuyer sur une touche l'écran LCD s'allume et les icônes sont en place?<br>Oui, passez à la séquence suivante de diagnostic<br>Non, Remplacer le contrôle et l'interface utilisateur.   |
|  | La lampe n'a pas été correctement vissées   | 1) Retirer le couvercle de la lampe.<br>2) Visser la lampe jusqu'à ce qu'elle atteigne l'extrémité de la douille.<br>3) Vérifier  |
|  | La lampe ne fonctionne pas  | 1) Retirer la lampe.<br>2) Vérifier que la lampe soit non fonctionnelle revue que le filament ne sont pas brûlés et être en bonne place.<br>3) Remplacer si nécessaire.<br>4) Vérifier  |
|  | Pendant le nettoyage du capot, la le connecteur du moteur a été lâches et un faux contact dans les principales harnais est effectuée. | 1) Ouvrez la boîte de contrôle retirant les 6 vis.<br>2) Retirez l'alimentation de la hotte.<br>3) Vérifiez que le connecteur provenant du moteur est bien raccordé au connecteur monté dans le plastique. Vérifier que le système de verrouillage dans les connecteurs sont bien verrouillées.<br>4) Si les connecteurs ne sont pas bien connectés:<br>- Maintenir et appuyer sur les connecteurs principaux attachés dans le plastique blanc.<br>- Poussez vers l'intérieur les connecteurs du moteur / de la lampe jusqu'à le système de verrouillage sur les connecteurs sont bien attachés.<br>5) Connecter la hotte a l'alimentation et vérifier. |
| Le ventilateur ne fonctionne pas             | Contrôle électronique ne fonctionne pas en raison d'une tension excessive.  | a) Appuyer sur une touche l'écran LCD s'allume et les icônes sont en place?<br>Oui, passez à la séquence suivante de diagnostic<br>Non, Remplacer le contrôle et l'interface utilisateur.   |
|  | Pendant le nettoyage du capot, la le connecteur du moteur a été lâches et un faux contact dans les principales harnais est effectuée. | 1) Ouvrez la boîte de contrôle retirant les 6 vis.<br>2) Retirez l'alimentation de la hotte.<br>3) Vérifiez que le connecteur provenant du moteur est bien raccordé au connecteur monté dans le plastique. Vérifier que le système de verrouillage dans les connecteurs sont bien verrouillées.<br>4) Si les connecteurs ne sont pas bien connectés:<br>- Maintenir et appuyer sur les connecteurs principaux attachés dans le plastique blanc.<br>- Poussez vers l'intérieur les connecteurs du moteur / de la lampe jusqu'à le système de verrouillage sur les connecteurs sont bien attachés.<br>5) Connecter la hotte a l'alimentation et vérifier. |
| Le ventilateur est très bruyant              | Les filtres sont sales  | 1) Vérifiez que les filtres à graisse et / ou de charbon sont propres.<br>2) Changer le filtre à charbon si n'est pas propre ou laver le filtre à graisse et chèque.  |
| Faux contact dans les connecteurs            | Pendant le nettoyage du capot, la le connecteur du moteur a été lâches et un faux contact dans les principales harnais est effectuée. | 1) Ouvrez la boîte de contrôle retirant les 6 vis.<br>2) Retirez l'alimentation de la hotte.<br>3) Vérifiez que le connecteur provenant du moteur est bien raccordé au connecteur monté dans le plastique. Vérifier que le système de verrouillage dans les connecteurs sont bien verrouillées.<br>4) Si les connecteurs ne sont pas bien connectés:<br>- Maintenir et appuyer sur les connecteurs principaux attachés dans le plastique blanc.<br>- Poussez vers l'intérieur les connecteurs du moteur / de la lampe jusqu'à le système de verrouillage sur les connecteurs sont bien attachés.<br>5) Connecter la hotte a l'alimentation et vérifier. |
| Le capot et le ou la lampe ne fonctionne pas | Un terminal ou un connecteur est lâche  | 1) Ouvrez la boîte de contrôle retirant les 6 vis.<br>2) Retirez l'alimentation de la hotte.<br>3) Vérifiez que le connecteur provenant du moteur est bien raccordé au connecteur monté dans le plastique. Vérifier que le système de verrouillage dans les connecteurs sont bien verrouillées.<br>4) Si les connecteurs ne sont pas bien connectés:<br>- Maintenir et appuyer sur les connecteurs principaux attachés dans le plastique blanc.<br>- Poussez vers l'intérieur les connecteurs du moteur / de la lampe jusqu'à le système de verrouillage sur les connecteurs sont bien attachés.<br>5) Connecter la hotte a l'alimentation et vérifier. |

## **Garantie**

### **GARANTIE DE DEUX ANS**

## **ELICA North America**

### **POUR OBTENIR UN DEPANNAGE SOUS GARANTIE**

Le propriétaire doit présenter une preuve de la date d'achat. Garder une copie de votre preuve d'achat datée (ticket de caisse) de façon à pouvoir bénéficier du service après-vente sous garantie.

### **GARANTIE PIECES DE RECHANGE ET MAIN D'OEUVRE**

Pendant une période de deux (2) ans à partir de la date d'achat, Elica s'engage à fournir gratuitement les pièces de rechange ou les composants autres que les recharges ayant des défauts de fabrication. Durant cette garantie de deux (2) ans, Elica fournira également gratuitement, toute la main d'oeuvre et le service à domicile pour remplacer d'éventuelles pièces défectueuses.

### **CE QUE LA GARANTIE NE COUVRE PAS**

- Dégât ou panne du produit causé par un accident ou un cas de force majeure tels que inondation, incendie ou tremblement de terre.
- Dégât ou panne du produit causé par modification du produit ou utilisation de pièces pas d'origine.
- Dégât ou panne du produit causé lors de la livraison, de la manipulation ou de l'installation.
- Dégât ou panne du produit causé par une mauvaise utilisation.
- Dégât ou panne du produit causé par un remplacement des fusibles ou une remise en fonction des disjoncteurs par le propriétaire.
- Dégât ou panne du produit causé par une utilisation du produit pour raison commerciale.
- Déplacement à domicile pour explication d'utilisation ou d'entretien.
- Ampoules, filtres métalliques ou au charbon et toute autre pièce consommable.
- Usure normale.
- Usure due à une mauvaise utilisation du propriétaire, un entretien incorrect, une utilisation de substances nettoyantes corrosives ou abrasives et produits de nettoyage pour four.

### **QUI EST COUVERT**

Cette garantie s'étend à l'acheteur original de produits achetés pour un usage domestique habituel en Amérique du Nord (Y compris Etats Unis, Guam, Porto Rico, les Iles virgin Américaines & le Canada).

Cette garantie n'est pas transférable et vaut uniquement pour l'acheteur original et ne s'étend pas aux propriétaires successifs du produit. Cette garantie vaut expressément en lieu et place de toute autre garantie, expresse ou sous-entendue, mais ne limite pas toute autre garantie sous-entendue de marchandage ou adaptation dans un but particulier et toute autre obligation de la part de Elica North America, étant entendu, cependant, que si la réclamation pour garanties sous-entendues n'est pas applicable aux yeux de la loi en vigueur, la durée de toute garantie sous-entendue émanant de la loi doit être limitée à deux (2) ans à partir de la date d'achat du produit ou à une période plus longue selon ce que dit la loi en vigueur.

Cette garantie ne couvre pas tout dégât particulier, accidentel et/ou consécutif, ni les pertes et profits, à charge du propriétaire, des ses clients et/ou des utilisateurs Des produits.

### **QUI CONTACTER**

Pour obtenir un Service Après-vente durant la Garantie ou pour toute autre Question liée au Service Après-vente

Appeler:

- Service Après-vente autorisé Elica North America au (888) 732-8018

Ou écrire à:

- Elica North America, A l'Attention du Service Client, 222 Merchandise Mart Plaza Suite 947, Chicago, IL 60654 USA  
infoamericas@elica.com

# Español

## Contenido

|   |           |
|---|-----------|
| <b>Aviso de seguridad importante.....</b>             | <b>31</b> |
| <b>Requisitos eléctricos y de instalación .....</b>   | <b>32</b> |
| Requisitos eléctricos .....                           | 32        |
| Antes de instalar la campana.....                     | 32        |
| <b>Lista de materiales.....</b>                       | <b>33</b> |
| Piezas suministradas .....                            | 33        |
| Piezas no suministradas.....                          | 33        |
| <b>Dimensiones y Espacios libres .....</b>            | <b>34</b> |
| <b>Tipos de ductos y ejemplos.....</b>                | <b>34</b> |
| Métodos de ventilación .....                          | 34        |
| Preparación.....                                      | 34        |
| <b>Instalación .....</b>                              | <b>35</b> |
| Electrical Connection.....                            | 38        |
| <b>Descripción de la campana y los controles.....</b> | <b>38</b> |
| Controles.....  | 39        |
| <b>Mantenimiento.....</b>                             | <b>40</b> |
| <b>Accesorios Disponibles.....</b>                    | <b>40</b> |
| <b>Resolución de Problemas.....</b>                   | <b>42</b> |
| <b>Garantía.....</b>                                  | <b>43</b> |

**APROBADO PARA APARATOS DE USO DOMÉSTICO  
SÓLO PARA USO DOMÉSTICO  
LEA Y GUARDE ESTAS INSTRUCCIONES**

**ANTES DE CONTINUAR, LEA LAS INSTRUCCIONES POR COMPLETO.**

**LA INSTALACIÓN DEBE CUMPLIR TODA LA NORMATIVA LOCAL.**

**IMPORTANTE:** guarde estas instrucciones para su uso por parte del inspector de electricidad local.

**INSTALADOR:** entregue al propietario estas instrucciones junto con la unidad.

**PROPIETARIO:** conserve estas instrucciones para futuras consultas.

**Advertencia de seguridad:** antes de realizar el cableado de este aparato, desactive el circuito de energía eléctrica en el panel de servicio y desbloquee el panel.

**Requisito:** Circuito auxiliar de CA de 120 V, 60 Hz, 15 ó 20 A

# LEA Y GUARDE ESTAS INSTRUCCIONES

## Aviso de seguridad importante

### PRECAUCIÓN

**SÓLO PARA USO DE VENTILACIÓN GENERAL. NO UTILIZAR PARA EXPULSAR VAPORES O MATERIALES PELIGROSOS O EXPLOSIVOS.**

### ADVERTENCIA

**PARA REDUCIR EL RIESGO DE FUEGO, DESCARGA ELÉCTRICA O LESIONES PERSONALES, RESPETE LO SIGUIENTE:**

- A. Utilice esta unidad solamente en el modo que indica el fabricante. En caso de duda, póngase en contacto con el fabricante.
- B. Antes de reparar o limpiar la unidad, desconecte la alimentación en el panel de servicio y bloquee los medios de desconexión del panel de servicio para evitar la conexión accidental de la alimentación. Si no es posible bloquear los medios de desconexión del panel de servicio, coloque un dispositivo de advertencia que destaque como, por ejemplo, una etiqueta, en el panel de servicio.
- C. La instalación y el cableado eléctrico deben realizarlos personas cualificadas de acuerdo con las normativas y los estándares aplicables, incluida la construcción ignífuga.
- D. Es necesaria una ventilación suficiente para la correcta combustión y expulsión de gases por la salida de humos (Chimenea) del equipo de combustión de carburante para evitar el contratiempo. Siga las directrices de fabricantes de equipos de calefacción y los estándares de seguridad como los publicados por la National Fire Protection Association (NFPA), American Society for Heating, Refrigeration and Air Conditioning Engineers (ASHRAE) y las normativas locales.
- E. Al efectuar orificios en una pared o techo, no dañe el cableado eléctrico y otras instalaciones ocultas.
- F. Los sistemas instalados mediante conducto deben tener ventilación con salida al exterior.

### PRECAUCIÓN

**Para reducir el riesgo de fuego y conseguir una salida del aire correcta, asegúrese de conducir el aire hacia el exterior. No permita que el aire se expulse en espacios situados en el interior de muros, techos, desvanes, sótanos de pequeña altura o garajes.**

### ADVERTENCIA

**PARA REDUCIR EL RIESGO DE FUEGO, UTILICE SOLAMENTE TUBOS METÁLICOS.**

Instale esta campana de acuerdo con los requisitos especificados.

### ADVERTENCIA

**Para reducir el riesgo de fuego o descarga eléctrica, no utilice esta campana con ningún dispositivo externo en estado sólido para el control de la velocidad.**

### ADVERTENCIA

**PARA REDUCIR EL RIESGO DE INCENDIO OCASIONADO POR GRASA:**

- a) No deje nunca ninguna unidad externa desatendida y con valores de fuego altos. La cocción puede causar humo o reboses de grasa que pueden prender fuego. Caliente el aceite a fuego lento o medio.
- b) Encienda siempre la campana cuando cocine a una temperatura alta o cuando realice flameados (Por ejemplo, crepes Suzette, cerezas flameadas, ternera a la pimienta flameada).
- c) Limpie con frecuencia los ventiladores. No permita que la grasa se acumule en el ventilador o filtro.
- d) Utilice un tamaño de sartén adecuado. Utilice siempre piezas de batería de cocina adecuadas al tamaño del elemento de superficie.

### ADVERTENCIA

**PARA REDUCIR EL RIESGO DE LESIONES PERSONALES, EN CASO DE FUEGO OCASIONADO POR GRASA, TENGA EN CUENTA LO SIGUIENTE:<sup>a</sup>**

- a. **EXTINGA LAS LLAMAS** con una tapa ajustada, una lámina para hacer galletas u otro tipo de bandeja metálica y apague el quemador de gas o elemento eléctrico. **TENGA CUIDADO PARA EVITAR QUEMADURAS.** Si las llamas no se extinguen inmediatamente, **DESALOJE EL LUGAR Y LLAME A LOS BOMBEROS.**
- b. **NUNCA TOME UNA SARTÉN EN LLAMAS**, podría sufrir quemaduras.
- c. **NO UTILICE AGUA**, incluidas bayetas o toallas húmedas ya que se produciría una violenta explosión de vapor.
- d. Utilice un extintor **SÓLO** si:
  - 1) Sabe que dispone de un extintor de la clase ABC y conoce su funcionamiento.
  - 2) El fuego es pequeño y se encuentra en la misma zona donde se inició.
  - 3) Ha llamado a los bomberos.
  - 4) Puede luchar contra el fuego teniendo una salida a su espalda.

<sup>a</sup>Basado en "Consejos de seguridad para fuegos de cocina", publicado por el NFPA (Asociación nacional de protección contra incendios).

### FUNCIONAMIENTO

- a. Coloque siempre las rejillas y los filtros de seguridad en su lugar correspondiente. Sin estos componentes, los ventiladores en funcionamiento podrían atrapar su pelo, sus dedos o su ropa.

El fabricante declina toda responsabilidad en caso de fallo de cumplimiento de las instrucciones aquí facilitadas para la instalación, el mantenimiento y el uso adecuado del producto. El fabricante declina además toda responsabilidad por daños ocasionados por negligencia y la garantía de la unidad queda cancelada automáticamente como consecuencia de un mantenimiento incorrecto.

# Requisitos eléctricos y de instalación

## Requisitos eléctricos

### IMPORTANTE

Cumpla todas las normativas y ordenanzas gubernamentales.

Es responsabilidad del cliente:

Ponerse en contacto con un instalador eléctrico cualificado. Asegurarse de que la instalación eléctrica es adecuada y en conformidad con National Electrical Code, ANSI/NFPA 70 (última edición\*) o CSA Standards C22.1-94, Canadian Electrical Code, Parte 1 y C22.2 No.0-M91 (última edición\*) y toda la normativa y las ordenanzas locales.

Si la normativa lo permite y se utiliza un cable de toma a tierra independiente, se recomienda que un electricista cualificado determine si la difracción de onda de tierra es la adecuada.

No ubique la toma a tierra en una tubería de gas.

Si no está seguro de que la campana está correctamente conectada a tierra, consulte a un electricista cualificado. No coloque ningún fusible en el circuito neutral o con vuelta por tierra.

### IMPORTANTE

Guarde las instrucciones de instalación para su uso por parte del inspector de electricidad.

La campana debe estar conectada únicamente con hilo de cobre.

La campana debe estar conectada directamente al desconectador con fusible (O disyuntor) mediante canal metálico de cables eléctricos.

Los tamaños de cable deben cumplir los requisitos de la National Electrical Code, ANSI/NFPA 70 (última edición\*) o CSA Standards C22.1-94, Canadian Electrical Code, Parte 1 y C22.2 No.0-M91 (última edición\*) y toda la normativa y las ordenanzas locales.

Es preciso colocar un conector de canal de cables enumerado en U.L. o C.S.A. en cada extremo del canal de cables de fuente de alimentación (En la campana y en la caja de conexiones).

Se pueden obtener copias de los estándares enumerados en:

\* National Fire Protection Association Batterymarch Park Quincy, Massachusetts 02269

\*\* CSA International 8501 East Pleasant Valley Road Cleveland, Ohio 44131-5575

## Antes de instalar la campana

1. Para obtener una circulación del flujo de aire más eficaz, utilice un tubo de tramo recto o el menor número posible de tubos acodados.  
PRECAUCIÓN: el conducto de ventilación solamente debe tener salida hacia la parte exterior del edificio.
2. Para realizar la instalación, se necesitan al menos dos personas.
3. La campana se ajusta mediante material adecuados para la mayoría de superficies; consulte a un instalador cualificado para comprobar si quedan perfectamente ajustados al armario o a la pared.
4. No emplee tubos flexibles.
5. Las instalaciones en CONDICIONES CLIMÁTICAS FRÍAS deben tener instalado un regulador de contratiro adicional para minimizar el flujo de aire inverso y una rotura térmica no metálica para minimizar la conducción de temperaturas externas como parte de los tubos. El regulador debe encontrarse en la parte de aire frío de la rotura térmica.  
La rotura debe estar lo más cerca posible al lugar donde los tubos entran en la parte caliente de la casa.
6. Aire limpio: Las normativas locales para edificios pueden requerir el uso de sistemas de aire limpio cuando se utilizan sistemas de ventilación mediante tubos superiores al CFM especificado de movimiento de aire. El CFM especificado varía de una zona a otra. Para conocer los requisitos específicos de su zona, consulte a un profesional de HVAC.



# Lista de materiales

## Piezas suministradas

Remoción de la confección

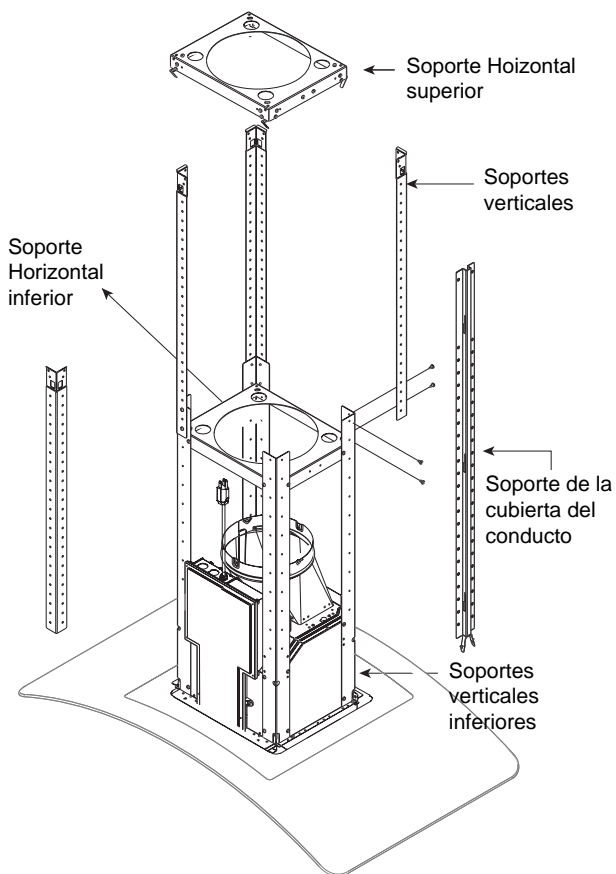
### PRECAUCIÓN

Quite la caja cuidadosamente, use guantes para protegerse contra los bordes afilados.

### ADVERTENCIA

Quite la película de protección que cubre el producto antes de ponerlo en funcionamiento.

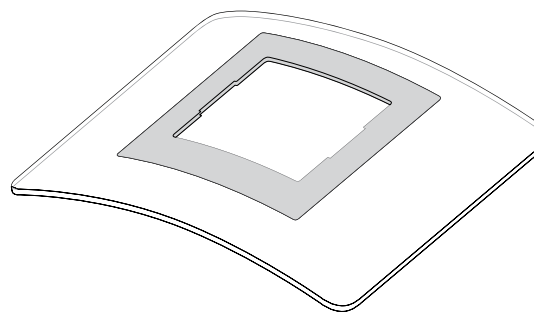
- Ensamble de estructura de campana con extractor y transición.
- 2 Lámparas ya instaladas.
- 1 filtro anti-grasa
- 4 Cubiertas para el conducto.
- Bolsa de materiales de instalación con:
  - Plantilla para el montaje al techo
  - Guía de Uso, Cuidado e Instalación
  - Tornillos para madera (4 piezas - 3/16" x 1" 3/4)
  - Soportes para el vidrio, retenes, empaques ( 2 c/u )
  - Tornillos de ensamble (74 piezas)
  - Soportes para el cubre conducto
- 8 Soportes verticales.
- 2 Soportes de cubiertas de conductos superiores.
- 2 Soportes horizontales.
- Toldo de vidrio (ya instalado)



### Herramientas/Materiales necesarios

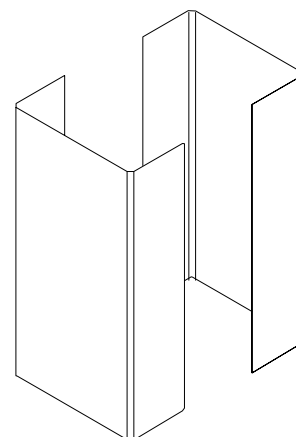
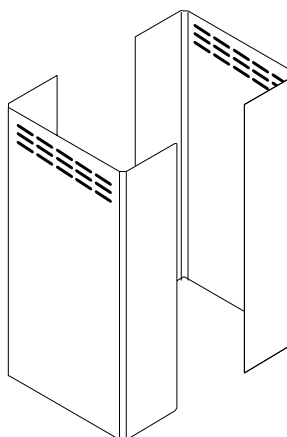
- Tapones de cable
- Cinta para montar la plantilla
- Conducto redondo de 8".  
La longitud debe ser de acuerdo a la instalación
- Cinta Métrica
- Cutter
- Pinzas para cortary pelar cable
- Nivel
- Alicates
- Cinta de aislar
- Lentes de seguridad
- Masking tape
- Martillo
- Destornilladores:  
Phillips (Posidrive) # 2 Torx # 2
- Tapones para cable
- Taladro con brocas: 5/16" y 3/8"
- Guantes de protección
- Retén de cable
- Caladora o Taladro

### Cubierta de Vidrio



### Cubreductos superior

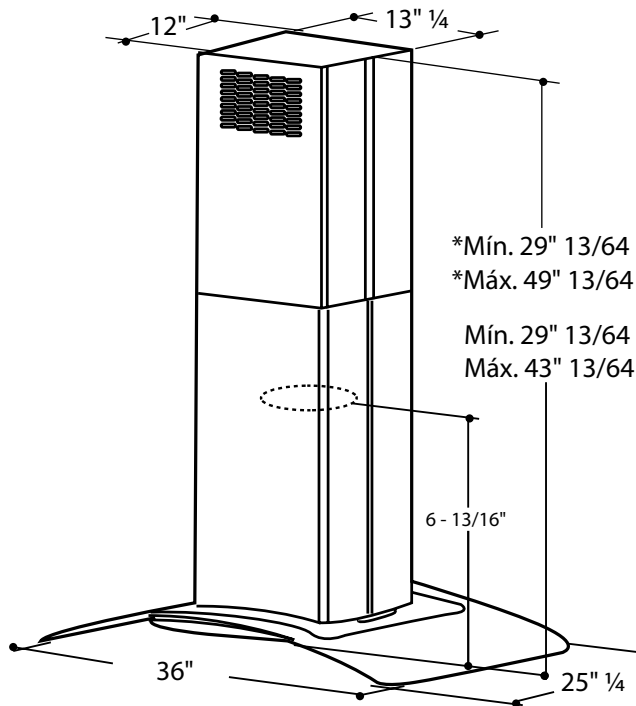
### Cubreductos inferior



### Accesorios

|                         |               |
|-------------------------|---------------|
| Kit Recirculante        | KIT ISLAND    |
| Kit Filtro de Carbón    | CHF KIT DEKOR |
| Kit Válvula Antiretorno | NRV DEKOR     |
| Kit Filtro de grasa     | GRF KIT DEKOR |

# Dimensiones y Espacios Libres



## \*Solo para versión sin tubos (Recirculación)

**NOTA:** Las alturas de las versiones aspirantes consideran las rejillas superiores detrás de los cubreductos inferiores (cubreducto superior de cabeza)

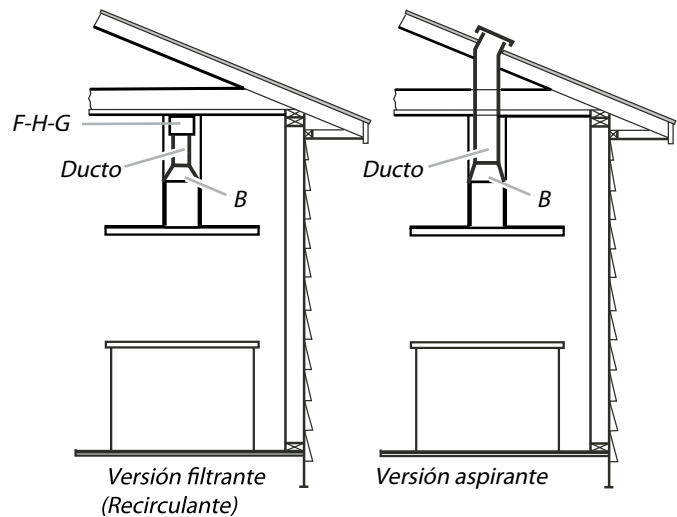
## Tipos de Ductos y Ejemplos

**Siga detenidamente las instrucciones expuestas en este manual.**

Se declina toda responsabilidad de cualquier inconveniencia, daños o incendios eventuales ocasionados por el incumplimiento de las instrucciones de este manual.

### Métodos de ventilación

La campana está equipada con un salida de escape B para la descarga de gases al exterior (Versión con tubos). En caso de que no sea posible la descarga de gases y del vapor procedentes de la cocina al exterior, la campana se puede utilizar en la versión sin tubos (Recirculación). Coloque un filtro de carbono activado y el deflector F en el soporte de sujeción de la cubierta de tubo G. Los gases y vapores se reciclan a través de la rejilla superior H mediante un conducto conectado al cambio de sección B y el cambio de sección montado en el deflector F.



**NOTA:** Sólo para versión sin tubos (Recirculación): adquiera el kit de conversión sin tubos.

Tamaño mínimo de tubo (Versión con o sin tubos): Tubería redonda de 8\".

### Preparación

No corte una vigueta o un perno a menos que sea absolutamente necesario. Si fuera necesario efectuar el corte, deberá construirse un marco de soporte.

Se suministra el material de ajuste necesario para fijar la campana a la mayoría de tipos de muro o techo. No obstante, un técnico cualificado debe comprobar la idoneidad de los materiales de acuerdo con el tipo de muro o techo.

Antes de efectuar ningún corte, asegúrese de existe espacio libre adecuado en el techo o muro para la expulsión del aire.

La preferencia de la altura de instalación de la campana de los usuarios es por encima de la cocina. Cuanto más cerca esté la campana de la cocina, mas eficaz resultará la captura de olores, grasa y humos.

### PRECAUCION:

**PARA TECHOS DE 8': INSTALE ESTA CAMPANA DE TAL MANERA QUE LA CORNISA INFERIOR SE ENCUENTRE A 30" (76,2 CM) SOBRE LA SUPERFICIE DE COCCION.**

**PARA TECHOS DE 10': INSTALE ESTA CAMPANA DE TAL MANERA QUE LA CORNISA INFERIOR SE ENCUENTRE A 35" (88,9 CM) SOBRE LA SUPERFICIE DE COCCION.**

**Antes de seleccionar la campana, compruebe la altura del techo y la altura máxima de la campana.**

# Instalación

## Instalación - Versión con tubos

### 1. Cálculos previos a la instalación

**K** = Altura de cocina

**C** = Altura de encimera (estándar de 36")

**P** = Altura preferida de la parte inferior de la campana por encima de la encimera

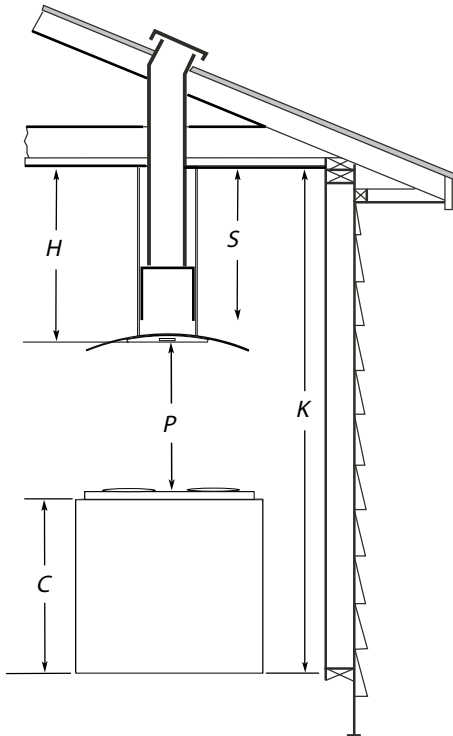
**H** = Altura de instalación de la campana

$H = K - C - P$

**S** = Altura de instalación de estructura de chimenea.

$S = H - 1" \frac{3}{8}$

- Seleccione una preferencia de la altura de la campana **P** cómoda para el usuario.
- Calcule la altura de instalación de la campana ( $H = K - CP$ ).
- Compruebe que el valor de **H** (altura) se encuentra dentro del valor máximo y mínimo de altura para su modelo (consulte el párrafo "Dimensiones y espacios libres"). De lo contrario, ajuste su instalación.
- Calcule la altura de la estructura de chimenea (**S**). Guarde este cálculo para utilizarlo más adelante en la instalación.

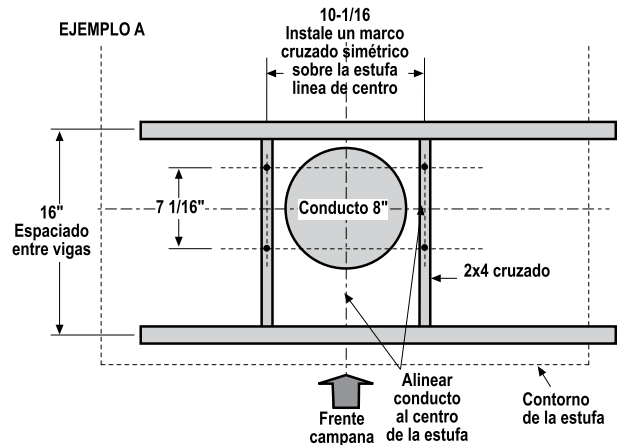
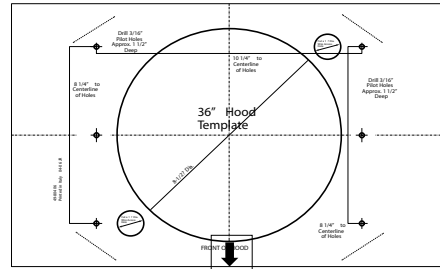


### Estructuras de soporte al techo

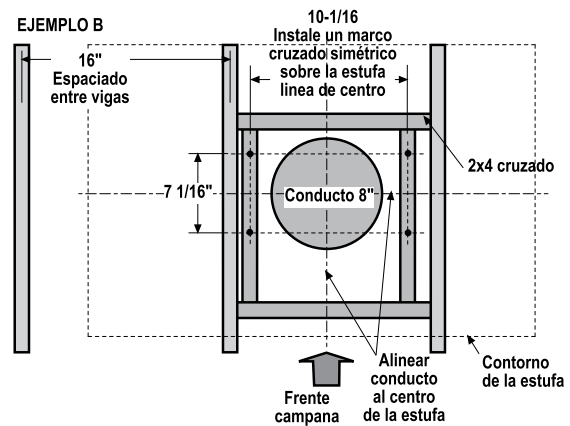
- Esta campana es pesada. Deberá contar con una estructura y soporte adecuado para cualquier tipo de instalación.
- En la posición de la campana, in-stale un marco transversal de 2"x 4" entre las viguetas del techo como se muestra. (Se necesitan de 2"x 4" para soportar el peso de la campana.)
- Inserte un armazón cruzado que se ajuste a la estructura existente.
- Las viguetas de su techo son como alguno de los siguientes ejemplos.

### IMPORTANTE

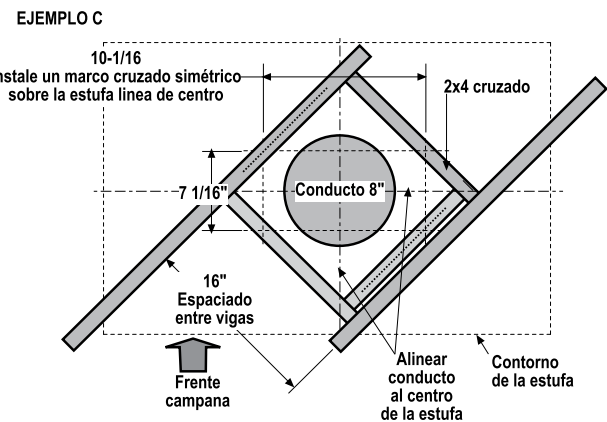
La estructura debe ser capaz de soportar 150lbs.



Vista superior – Las vigas del techo paralelas al frente de la estufa

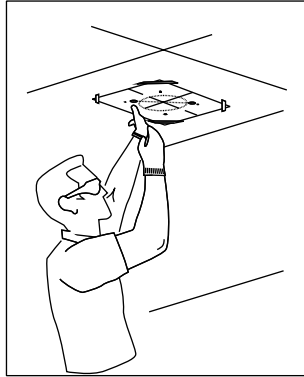


Vista superior – Las vigas corren perpendiculares al frente de la estufa

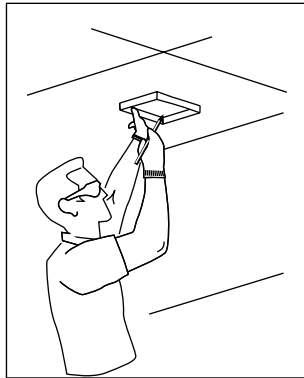


Vista superior – las vigas del techo en ángulo al frente de la estufa

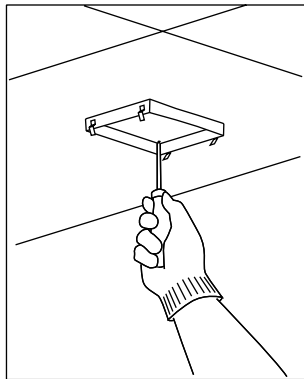
- Coloque la plantilla en el techo considerando las instrucciones para las estructuras de soporte. Siempre considere la leyenda de la campana cuando reproduzca la plantilla en el techo. Esto define la ubicación del control.



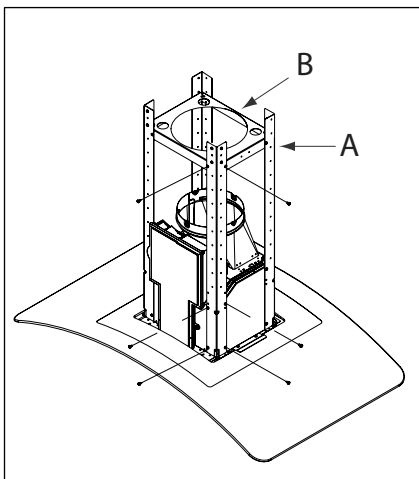
- Marque con un lápiz la ubicación de los orificios para los tornillos en el techo.



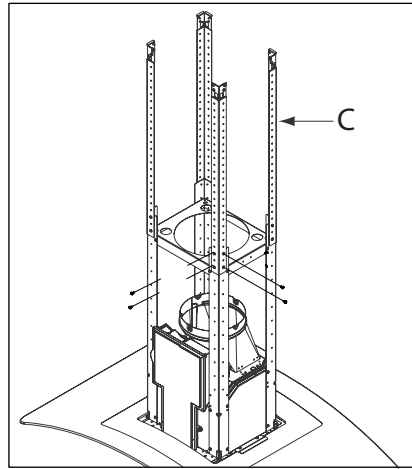
- Fije el soporte horizontal superior al techo con 4 tornillos para madera.



- Coloque la campana sobre una mesa para proteger el cristal. Fije los 4 soportes verticales inferiores (A) a la campana utilizando 16 tornillos de montaje (4 por esquina). Enseguida, fije el soporte inferior horizontal (B) con 8 tornillos de ensamblaje por esquina.

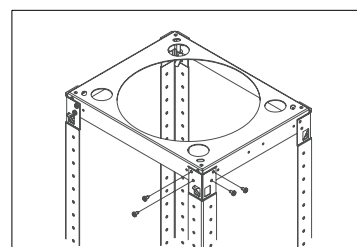
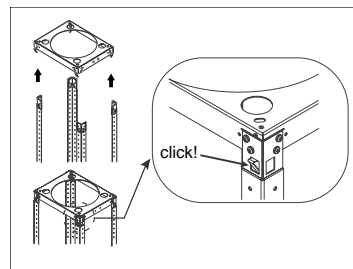
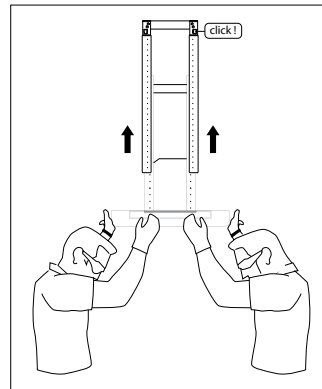


- La posición de los soportes verticales superiores determinará la altura total de la campana. Considere la imagen de extensiones máximas y mínimas, para determinar cual es la dimensión que se ajusta a la altura de su techo. Siempre considere las alturas mínimas declaradas en este manual. Coloque los soportes verticales superiores (C) a la altura deseada y sujételos con 16 tornillos de montaje (4 por esquina).

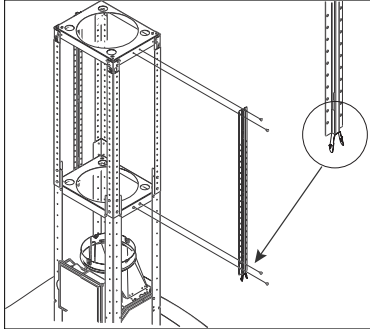


- Levante cuidadosamente el ensamble hasta que los soportes superiores verticales se atoren con los 4 seguros del soporte horizontal superior. Asegúrelo con 16 tornillos de montaje (4 por esquina).

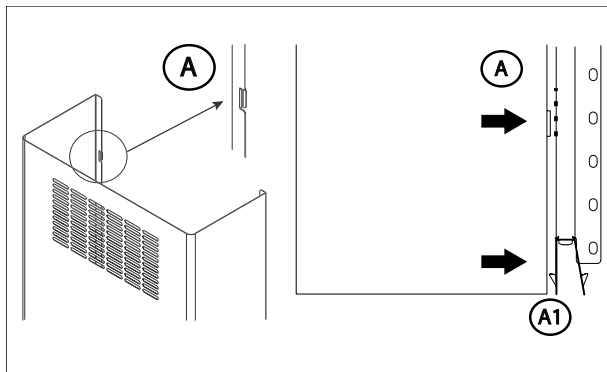
NOTA: Son requeridas al menos 2 personas para llevar a cabo esta operación.



- Asegúre los soportes laterales del cubreductos usando 4 tornillos de montaje.

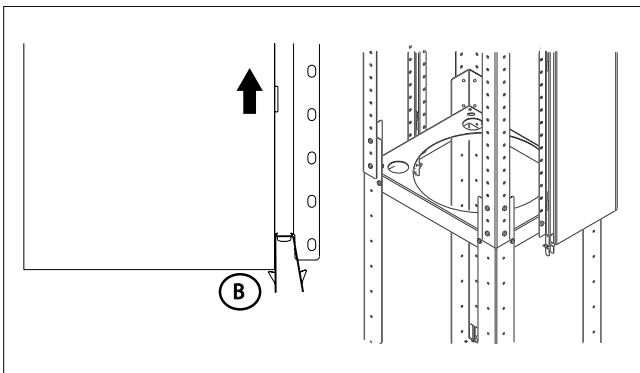


- Coloque el cubreducto superior alineando las lengüetas con la ranura del soporte inoxidable como se muestra en la imagen "A". Mientras se alinean e insertan las lengüetas, la parte inferior del cubre ducto debe estar empujando hacia adentro al seguro metálico inferior como se muestra en la imagen "A1". Mantenga el cubreducto en esta posición.

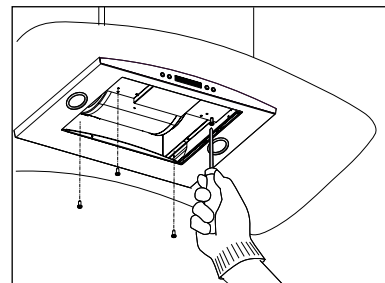
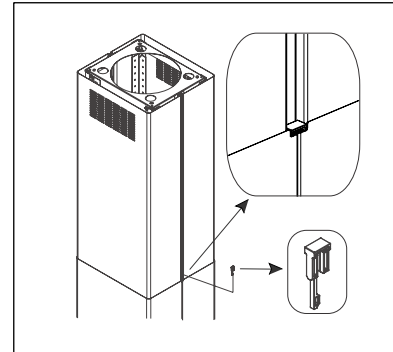
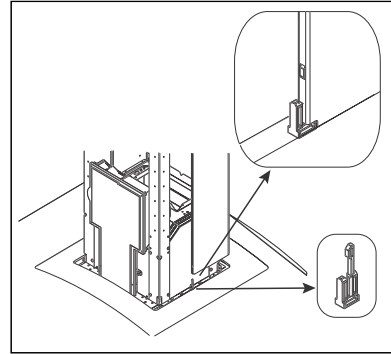


- Para fijar el cubreducto en ese lugar, deslicelo hacia arriba, observando que los seguros se quedan en sus respectivas ranuras. Mientras desliza el cubreductos hacia arriba, asegúrese de que la parte baja del cubreducto se atora con el seguro metálico como lo muestra la figura "B". Se escuchará un click.

NOTA: Son requeridas al menos 2 personas para llevar a cabo esta operación.



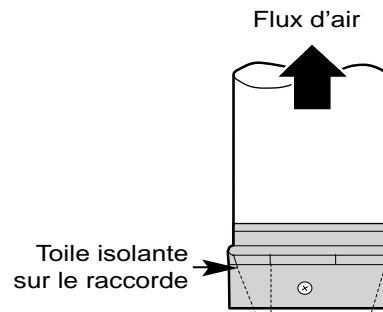
- Place canal inférieur couvre en utilisant une équerre en plastique à chaque sommet (4 nécessaire).



Los cubreductos inferiores deberán asegurarse a la campana con 4 tornillos de montaje.

### Conexión del conducto

- Instale los conductos, haciendo las conexiones en dirección al flujo de aire como se ilustra.
- Empuje el conducto hacia el tubo de escape.
- Cubra todos los puntos de unión del conducto y los bordes de conexión con cinta de aislar para sellar completamente.
- Realice la misma conexión en la salida de ventilación de la pared o del techo.



## Conexión eléctrica

### ADVERTENCIA

#### Peligro de descarga eléctrica

**Advertencia:** antes de realizar el cableado de este aparato, desactive el circuito de energía eléctrica en el panel de servicio.

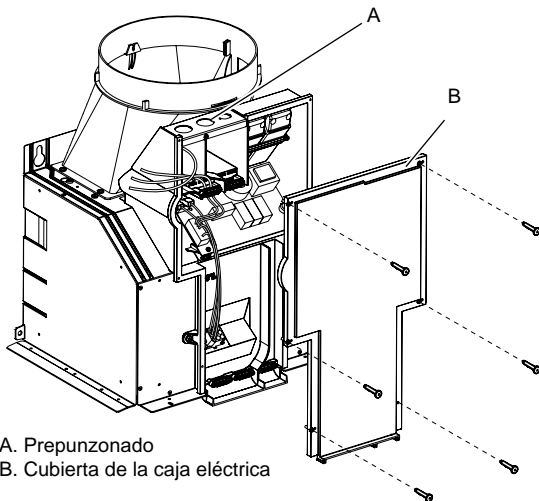
Se requiere un circuito 120 VAC, 15 ó 20 A.

### INSTRUCCIONES DE TOMA ELÉCTRICA

ESTE APARATO DISPONE DE UNA CAJA DE CONEXIONES ELÉCTRICAS CON 3 CABLES, UNO DE LOS CUALES (VERDE Y AMARILLO) SIRVE COMO TOMA DE TIERRA PARA EL APARATO PARA PROTEGERSE DE DESCARGAS ELÉCTRICAS, EL CABLE VERDE Y AMARILLO DEBE ESTAR CONECTADO AL CABLE DE TOMA A TIERRA DE SU SISTEMA DOMÉSTICO DE ELECTRICIDAD Y BAJO NINGUNA CIRCUNSTANCIA DEBE CORTARSE O ELIMINARSE.

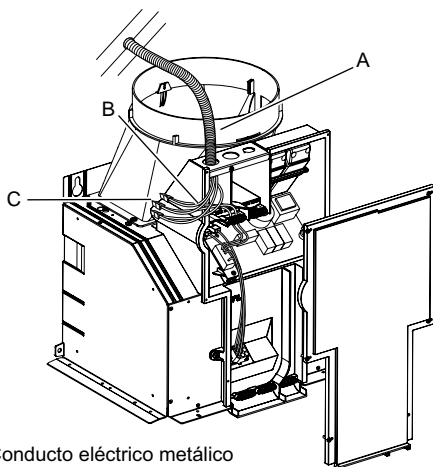
**De lo contrario, podría tener como resultado una descarga eléctrica o la muerte.**

Situándose delante de la parte frontal de la campana extractora, retire el pestillo extraíble izquierdo y la tapa de la caja de conexiones e instale el conector de canal de cables (Enumerado en cULUS) en la caja de conexiones.



A. Prepunzonado  
B. Cubierta de la caja eléctrica

- Si no ha sido ya hecho, instalar el conducto conector de 1/2" a la caja de conexiones.

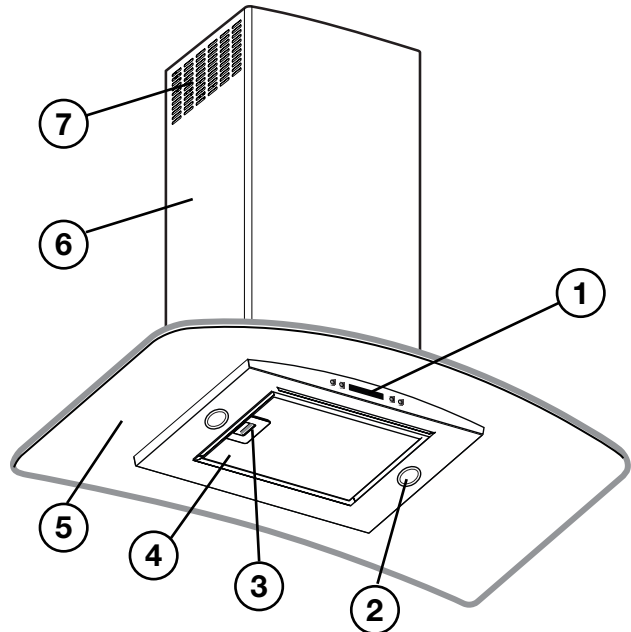


A. Conducto eléctrico metálico  
B. Alojamiento de cables  
C. Pernos aprobados por UL

### Conexiones Eléctricas:

- Conectar los cables negros (línea), blancos (neutro) y verdes (tierra) desde el suministro de poder hacia los cables negros, blancos y verdes respectivamente en la caja de conexiones, y cubrirlo con ayuda de un tapón para cable.
- Coloque los cables dentro de la caja eléctrica. **IMPORTANTE:** Asegúrese de que los cables no queden demasiado apretados.
- Fije la cubierta de la caja eléctrica.

## Descripción de la Campana y los Controles



1. Controles del motor y lámparas
2. Lámparas
3. Manija del filtro de grasa
4. Filtro de grasa
5. Toldo de vidrio
6. Cubreductos
7. Parrilla de ventilación (Sólo para versión recirculante)



## Controles y características

Esta campana está equipada con un control electrónico para motor y para lámpara. El control tiene 3 velocidades para el ventilador, enciende/apaga (ON/OFF) la luz y tiene la función de temporizador (Timer). En el siguiente dibujo, están descritas las funciones principales.



### 1. Tecla Temporizador

- El tiempo por defecto es 10 minutos, y puede ser ajustado entre 20 minutos y un 1 minuto.
- Después de pulsar la Tecla Temporizador, el control accede a la modalidad setup temporizador y el usuario, puede ajustar la cuenta atrás del temporizador con las teclas “-” y “+” en 5 segundos. El temporizador puede ser usado inmediatamente, pulsando la tecla del temporizador, después de haber establecido la duración o pulsando la tecla del temporizador dos veces (por defecto 10 min.).
- Si el usuario no presiona ninguna tecla dentro de 5 segundos, empezará la cuenta atrás.
- Durante el ajuste del temporizador, las teclas “-” y “+” son dedicadas al temporizador y no ocurrirá ninguna otra acción del motor.
- Una vez que el temporizador ha sido activado, puede ser cancelado pulsando de nuevo la tecla temporizador.

### 2. Tecla de Iluminación

- Presione la tecla de iluminación para encender (La lámpara debe estar previamente apagada).
- Presione la tecla de iluminación para apagar (La lámpara debe estar previamente encendida).

### 3. Pantalla - Muestra la programación de la campana.

#### 4. “-” Tecla. Disminución Velocidad/ OFF

- Esta tecla se usa para disminuir la velocidad del ventilador, o para apagar (OFF) el ventilador.
- El ventilador se apagará ( OFF ) si se pulsa el botón “-” y la campana estaba en la primera velocidad.
- Si el ventilador está en la segunda velocidad, se pulsa el botón “-”, el botón será ajustado en la primera velocidad.
- Si el ventilador está en la tercera velocidad”-”se pulsa el botón, el botón será ajustado en la segunda velocidad.
- Si el ventilador está apagado ( OFF) y se pulsa el botón “-”, se iluminará la luz de la pantalla.

#### 5. “+” Tecla. Aumento Velocidad / ON

- Esta tecla se usa para aumentar la velocidad del ventilador, o encender el ventilador.
- El ventilador se encenderá si se pulsa el botón “+” y la campana estaba apagada.
- Si el ventilador está en la primera velocidad y se pulsa el botón “+”, el ventilador será ajustado en la 2a velocidad.
- Si el ventilador está en la segunda velocidad y se pulsa el botón “+”, el ventilador será ajustado en la 3a velocidad
- Si el ventilador está en la tercera velocidad y se pulsa el botón “+”, emitirá un sonido.

## Funciones especiales

### Programación del reloj

- El reloj, puede ser reprogramado en cualquier momento, excepto durante una acción activa de temporizador.

- El reloj está configurado con el formato de doce horas y los horarios validos van de 1:00 a 12:59.
- El reloj puede ser reprogramado pulsando la tecla “Temporizador” por 5 segundos, y después, el reloj puede ser ajustado con las teclas “+” y “-”. Colon “:” destellará indicando la modalidad programación del reloj.
- El usuario puede incrementar / disminuir los minutos de 1 minuto, pero si sigue pulsando las teclas “+”/”-” por más de 1 segundo, los incrementos / disminuciones serán de 5 minutos. Durante esta opción el control redondeará a los 5 minutos más cercanos.
- El usuario puede terminar la reprogramación del reloj pulsando la tecla “timer”.
- Después de 1 minuto, si no se pulsa ninguna tecla, el control aceptará la hora del reloj programada y añadirá un minuto a la hora ajustada.

### Alarma de saturación de filtros de grasa

- Después de treinta horas de funcionamiento, el display mostrará “Filtro de Grasa” si el ventilador está activo. Cuando este icono se muestra en el display, es necesario lavar los filtros de grasa instalados.
- Para desactivar la alarma de saturación de filtros de grasa, el usuario debe pulsar la tecla “+” por 5 segundos, después de esta acción, el icono “filtro de grasa” no aparecerá en el display, y la campana vuelve al display de funcionamiento normal.

### Alarma de saturación del filtro de carbón (accesorio de recirculación)

- Después de ciento veinte horas de funcionamiento del ventilador, el display mostrará “Filtro de Carbón” si el ventilador está activo. Cuando este ícono se muestra en el display, es necesario lavar o sustituir los filtros de carbón instalados.
- Para reajustar la indicación de saturación de los filtros de carbón, el usuario debe pulsar la tecla “-” por 5 seg, después, el icono “filtro de carbón” no aparecerá en el display, y la campana vuelve al display de funcionamiento normal.

### Señal auditiva de activación y desactivación

- Las señales auditivas, pueden ser activadas o desactivadas pulsando la tecla “Luz” por 5 seg.
- Si la señal auditiva es activada, un tono debe sonar y el símbolo “Snd” aparece en el display por 2 seg.
- Si la señal auditiva es desactivada, el símbolo “Snd” aparece en el display por 2 seg y no habrá ningún sonido.

### Inclusión y exclusión del filtro de carbón (accesorio de recirculación)

- La inclusión o exclusión puede ser establecida pulsando los botones “-” y “+” al mismo tiempo por 5 segundos.
- La inclusión o exclusión del filtro de carbón debe ser escogida mientras las lámparas y el motor están apagados (OFF).
- Cuando el filtro ha sido excluido, la alarma del filtro de carbón está desactivada.

### Sensor de calor

- El control esta equipado con un sensor térmico que encenderá el motor en la segunda velocidad si el calor que rodea al control es demasiada (más de 70°C).
- Si el motor está apagado (OFF) o si está en la 1a, el motor será ajustado automáticamente en la 2a vel.
- Durante este estado, el consumidor podría aumentar la velocidad de éste hasta la tercera velocidad pero no puede disminuir la velocidad.
- Cuando el nivel de la temperatura de la campana llega al nivel normal, el motor funcionará con el ajuste definido por el usuario, antes que se active la alarma.

## Mantenimiento de los filtros metálicos de grasa

El filtro metálico atrapa la grasa que liberan los alimentos en el proceso de cocinado. El filtro debe siempre estar instalado cuando la campana esté en funcionamiento.

### Para retirar el filtro:

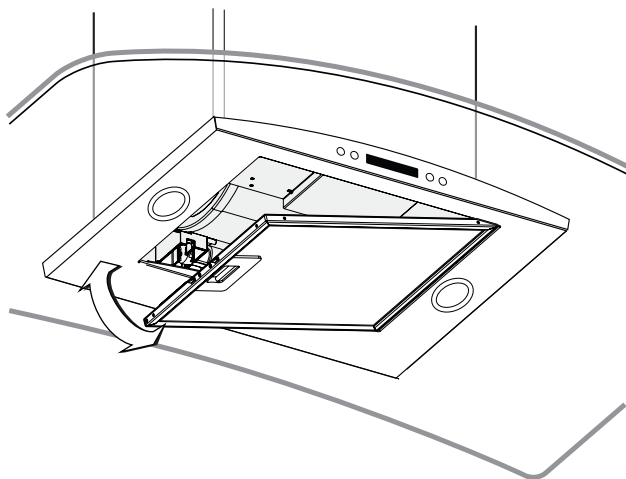
- Jale la manija de sujeción del filtro en dirección al centro del filtro.
- Una vez que ha liberado el filtro, retírelo lentamente jalando hacia abajo.

### Para reemplazar el filtro:

- Inserte las lengüetas del filtro en las ranuras.
- Jale la manija de sujeción del filtro en dirección al centro del filtro.
- Una vez que ha retraído la manija, levante lentamente el filtro y suelte la manija.

### Para limpiar el filtro:

- Sumerja el filtro en agua caliente con jabón y enjuáguelo con agua limpia, ó lávelo en el lavatrastes.
- No use limpiadores abrasivos.



## Mantenimiento de la campana

- Limpie con un trapo húmedo, jabonoso y seque con un trapo limpio. Puede ser también usado un limpiador para vidrios.

CUIDADO: No moje el panel de control.

- No use una estopa de acero; podría rasguñar la superficie.
- Para limpiar la superficie de acero inoxidable, use agua jabonosa caliente, limpiador para acero inoxidable o cera. Frotar siempre siguiendo la dirección de la veta.
- Siga las instrucciones del limpiador para limpiar la superficie de acero inoxidable.

## Mantenimiento de la campana

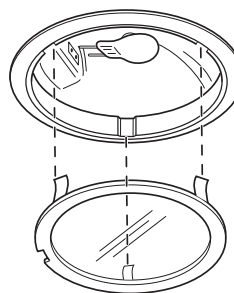
- Limpie con un paño húmedo, jabonoso y seque con un paño limpio. Puede ser también usado un limpiador para vidrios.

CUIDADO: No moje el panel de control.

- No use una estopa de acero; podría rasguñar la superficie.
- Para limpiar la superficie de acero inoxidable, use agua jabonosa caliente, limpiador para acero inoxidable o cera. Frotar siempre siguiendo la dirección de la veta.
- Siga las instrucciones del limpiador para limpiar la superficie de acero inoxidable.



Utilice un destornillador plano pequeño para retirar la cubierta interna de la lámpara.



Anillo de ajuste externo (ensamble lámpara)  
No remover

Interior removible  
cubierta lente lámpara

Asegúrese que los contactos estén insertos en el contacto. Retire la lámpara dañada y reemplácela con una nueva de 12 V, max 20 W, base G4.

## Accesorios Disponibles

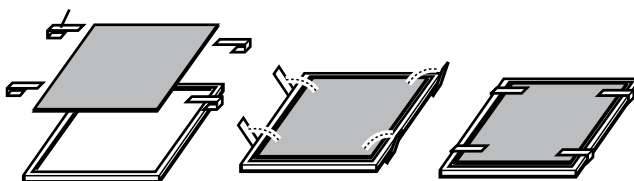
### Colocación del Filtro de Carbón (Accesorios Recirculación)

Encaje el colchón del filtro de carbón sobre la parte superior de cada filtro de grasa.

Use los resortes provistos para ajustarlo en su lugar.

Nota:

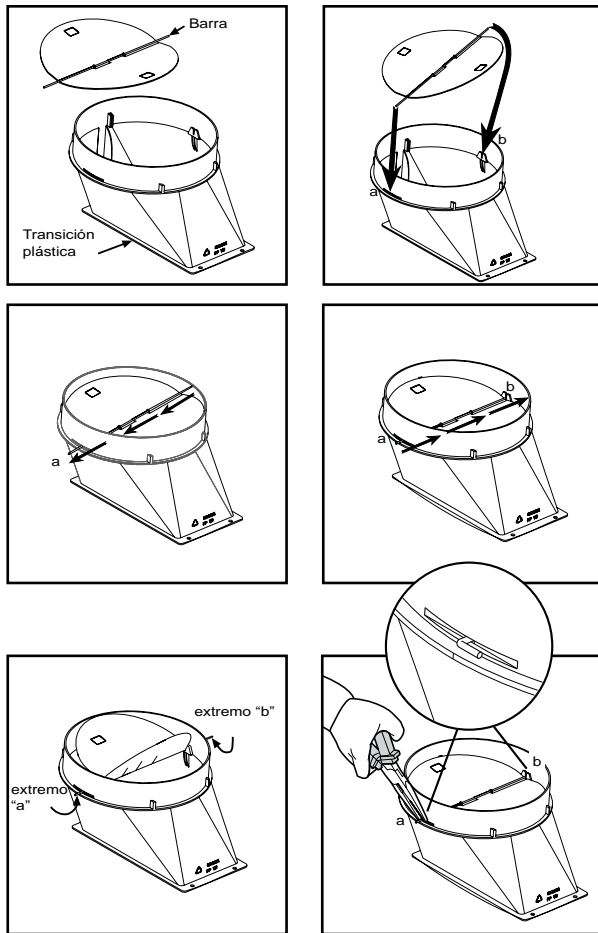
Cuando se quita para sustituirlo por uno nuevo, no quite los resortes de sujeción, extraiga uno rotando hacia afuera.





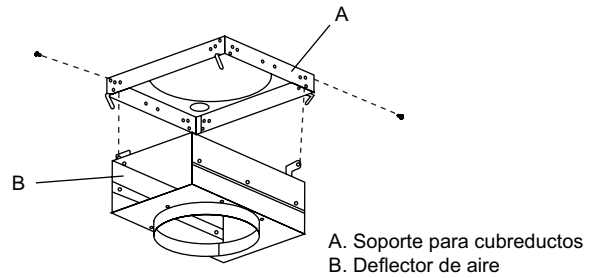
### Instalación Válvula Anti-Retorno (Accesorios Recirculación)

- Introduzca el extremo "a" de la barra en el "tubo plástico de transición", tirando hacia fuera hasta que cruce el material (tubo plástico de transición) con un poco de fuerza.
- Coloque el extremo "b" de la barra en el "tubo plástico de transición". Tire hacia fuera hasta que cruce el material (tubo plástico de transición) con un poco de fuerza, la barra debe ser simétrica en ambos lados. Con las tenazas, doble ambos extremos de la barra, hacia el "tubo plástico de transición".

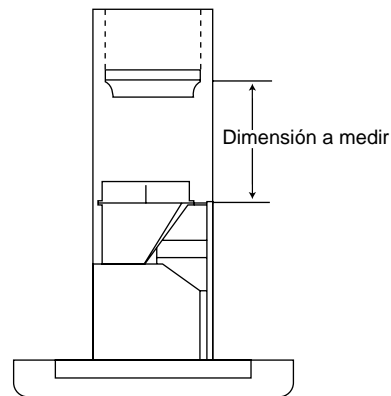


### Instalación del deflector de aire (Accesorios Recirculación)

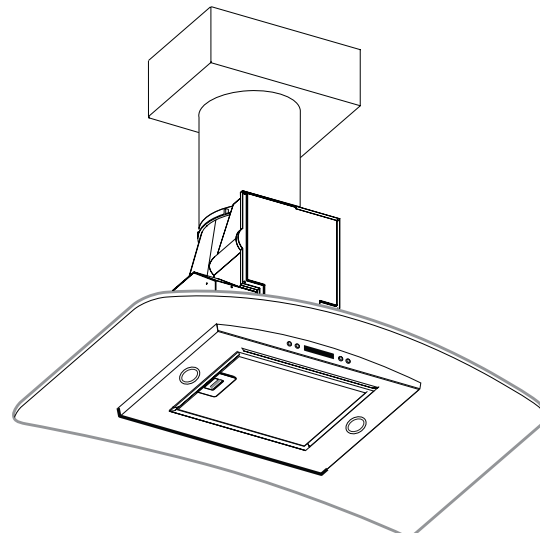
- Después de que el soporte para cubreductos ha sido instalado en el techo (p. 36), ensámblelo con el deflector de aire con 2 tornillos de instalación como se muestra en la siguiente imagen.



- Mida la distancia de la parte baja del deflector a la parte baja de la salida de aire de la campana.



- Desinstale el deflector de aire retirando los dos tornillos de montaje.
- Introduzca el ducto de ventilación en la parte baja del deflector.
- Coloque el deflector con el ducto sobre la salida de aire de la campana.
- Ensamble el deflector de aire al soporte de cubreductos, con 2 tornillos de montaje.
- Utilice cinta para sellar las uniones del deflector y la salida de aire de la campana (la cinta debe ser aprobada para esta aplicación).
- Instale el filtro de grasa y reconecte la corriente.
- Verifique la operación de la campana.



# Resolución de Problemas

| Tipo de problema                    | Posibles Causas  | Acciones Recomendadas   |
|-------------------------------------|--|---|
| La lámpara no enciende              | El control electrónico no funciona debido al voltaje excesivo  | a) Al presionar cualquier botón el LCD se enciende y los íconos están en su lugar?<br>Sí, proceda con la siguiente secuencia de diagnóstico.<br>No, Reemplace el control y la interfase del usuario   |
|                                     | La lámpara no fué atornillada correctamente  | 1) Remueva la cubierta de la lámpara<br>2) Atornille la lámpara hasta el fondo del socket<br>3) Verifique   |
|                                     | La lámpara no sirve  | 1) Remueva la lámpara.<br>2) Verifique si la lámpara no funciona revisando que los filamentos no estén quemados y que estén en su lugar correcto.<br>3) Cámbiela si es necesario.<br>4) Verifique   |
|                                     | Durante la limpieza de la campana, el enchufe del motor se aflojó y existe un falso contacto en el enchufe principal | 1) Abra la caja de control retirando los 6 tornillos.<br>2) Desconecte la campana de la corriente eléctrica.<br>3) Verifique que el enchufe que sale del motor esté bien conectado al enchufe ensamblado en el plástico, verificando que el sistema de esclusas en los enchufes esté bien colocado.<br>4) Si los enchufes no están bien conectados:<br>- Sostenga y mantenga presionados los enchufes principales unidos al plástico blanco.<br>5) Conecte la campana a la corriente eléctrica y verifique  |
| El ventilador no funciona           | El control electrónico no funciona. Debido a exceso de voltaje   | a) Al presionar cualquier botón el LCD se enciende y los íconos están en su lugar?<br>Sí, proceda con la siguiente secuencia de diagnóstico<br>No, reemplace el control y la interfase del usuario  |
|                                     | Durante la limpieza de la campana el enchufe del motor se aflojó y existe un falso contacto en el enchufe principal. | 1) Abra la caja de control retirando los 6 tornillos.<br>2) Desconecte la campana de la corriente eléctrica.<br>3) Verifique que el enchufe que sale del motor esté bien conectado al enchufe ensamblado en el plástico, verificando que el sistema de esclusas en los enchufes esté bien colocado.<br>4) Si los enchufes no están bien conectados:<br>- Sostenga y mantenga presionados los enchufes principales unidos al plástico blanco.<br>5) Conecte la campana a la corriente eléctrica y verifique  |
| El extractor es muy ruidoso         | Los filtros están sucios   | 1) Verifique que los filtros de grasa y/o carbón estén limpios.<br>2) Si no están limpios cambie el filtro de carbón o lave el filtro de grasa y verifique.   |
| Falso contacto en los enchufes      | Durante la limpieza de la campana el enchufe del motor se aflojó y existe un falso contacto en el enchufe principal  | 1) Abra la caja de control retirando los 6 tornillos.<br>2) Retire la campana de la corriente eléctrica.<br>3) Verifique que el enchufe que sale del motor está bien conectado al enchufe ensamblado en el plástico verificando que el sistema de esclusas en los enchufes esté bien cerrado.<br>4) Si los enchufes no están bien conectados:<br>- Sostenga y mantenga presionados los enchufes principales unidos al plástico blanco<br>- Empuje hacia adentro los enchufes del motor / lámpara hasta que el sistema de esclusas esté bien colocado<br>5) Conecte la campana a la corriente eléctrica y verifique. |
| La campana o la lámpara no funciona | Una terminal o un enchufe están flojos.  | 1) Abra la caja de control retirando los 6 tornillos.<br>2) Retire la campana de la corriente eléctrica.<br>3) Verifique que el enchufe que sale del motor está bien conectado al enchufe ensamblado en el plástico verificando que el sistema de esclusas en los enchufes esté bien cerrado.<br>4) Si los enchufes no están bien conectados:<br>- Sostenga y mantenga presionados los enchufes principales unidos al plástico blanco<br>- Empuje hacia adentro los enchufes del motor / lámpara hasta que el sistema de esclusas esté bien colocado<br>5) Conecte la campana a la corriente eléctrica y verifique. |

**PARA OBTENER SERVICIO DENTRO DE GARANTIA.**

El propietario debe presentar su recibo original de la compra. Guarde por favor una copia de su recibo de compra como prueba, para recibir el servicio dentro del periodo de garantía.

**PARTES Y GARANTIA DE SERVICIO.**

Por el periodo de (2) dos años desde la fecha original de la compra, Elica proveerá, gratuitamente, partes no-consumibles o componentes que hayan fallado debido a defectos de fabricación. Durante estos (2) años de garantía limitada, Elica también proveerá gratuitamente, todo el servicio en casa y mano de obra necesaria para reemplazar cualquier parte defectuosa.

**QUE NO ESTA CUBIERTO**

- Daños o fallas del producto causados por accidente o actos de Dios, tales como inundaciones incendios o terremotos.
- Daños o fallas causadas por alteración del producto o por el uso de partes no-originales.
- Daños o fallas del producto causados durante la entrega, manejo o instalación.
- Daños o fallas del producto causados por abuso del usuario.
- Daños o fallas del producto causados por reemplazo de fusibles dañados o reseteo de interruptor de circuito.
- Daño o fallas causados por el uso del producto en un ambiente comercial (no domestico).
- Viajes de servicio para proporcionar una guía de uso o instalación.
- Bombillas, filtros de carbón o metal y cualquier otra parte consumible.
- Desgaste normal.
- Desgaste terminal debido a abusos del usuario, mantenimiento inadecuado, uso de productos / toallas de limpieza corrosivos o abrasivos y por uso de limpiadores para hornos.

**QUIEN ESTA CUBIERTO**

Esta garantía se extiende al comprador original de productos adquiridos para uso residencial en Norte America (incluyendo Estados Unidos, Guam, Puerto Rico, Islas Vírgenes de USA y Canadá).

Esta garantía no es transferible y aplica solamente al comprador original y no se extiende a propietarios subsecuentes del producto. Esta garantía se expresa en lugar de otras garantías, expresadas o implicadas, incluyendo, pero no limitada a ninguna garantía implicada de comercialización o adaptada para propósitos particulares y cualquier otra obligación por parte de Elica North America, considerando, sin embargo, que si la negación de garantías implícitas es inefectiva bajo la ley aplicable, la duración de cualquier garantía implícita será limitada a dos (2) años desde la fecha original de compra o por el periodo necesario como sea requerido por la ley aplicable.

Esta garantía no cubre cualquier daño especial, incidental y/o consecuente, ni pérdidas de ganancias, sufridas por el comprador original, sus clientes y/o usuarios del producto.

**A QUIEN CONTACTAR**

Para obtener Servicio bajo Garantía o para cualquier pregunta relacionada a Servicio.

Favor de llamar:

- Servicio Autorizado de Elica North America al (888) 732-8018

O escribiendo a:

- Elica North America, Atención a Servicio a Clientes, 222 Merchandise Mart Plaza, Suite 947, Chicago, IL 60654 USA  
infoamericas@elica.com

