

Salice



ISLAND HOOD

Salice conveys understated elegance with a gently tapered canopy that measures only 5" tall that opens up the kitchen for entertainment and conversation. Available in 36" and 42" widths, Salice features a powerful 600 CFM blower, halogen lighting with 2 light intensities, dishwasher-safe anodized aluminum mesh filters and high-tech multi-functional LCD controls that deliver convenience and safety. Designed for ducted installation, Salice can also be installed as a recirculating system using the Recirculating Kit, available as an accessory.

FEATURES

• **Advanced Electronic Touch Controls**

State-of-the-art electronics deliver maximum user convenience and control. LCD function display with elegant blue illumination combined with low-profile, easy-to-clean touchpads is your interface with a multi-function control system, including...

- On/Off control
- Programmable timer and buzzer
- Four blower speeds
- Clock
- **HeatGuard™** automatically adjusts blower speed if heat exceeds 158°F for safety and convenience
- Two light intensities
- Filter Saturation Monitor detects excessive levels within both grease and charcoal filters



• **600 CFM 4-Speed Internal Blower**

• **4 Halogen Lamps** with two light intensities (12V 20W bulbs included)



Elica-Patented Stainless Steel Micro Hole Filter

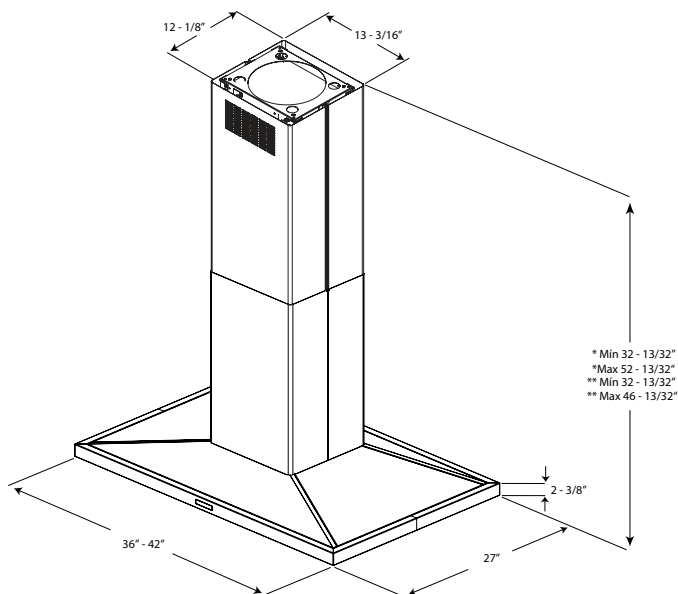
Available as an optional upgrade
(see back for accessory details)

• **Dishwasher-Safe Anodized Aluminum Mesh Filter**

• **Telescopic Chimney Extension** – For ceiling heights 7' 9" to 9'8"

• **8" Round Duct Transition**

• **One-Way No Return Valve** eliminates outside air drafts.



MODEL NUMBER	FINISH	DIMENSIONS		SHIPPING WEIGHT
		WIDTH	DEPTH	
ESL636SS	Stainless Steel	36"	27"	102 lbs
ESL642SS	Stainless Steel	42"	27"	109 lbs

HOOD MOUNTING HEIGHT ABOVE COOKING SURFACE

GAS		ELECTRIC	
minimum	maximum	minimum	maximum
30"	34"	24"	30"

CHIMNEY HEIGHT (based on recommended mounting heights listed above)

DUCTED		RECIRCULATING	
Gas min./max.	Electric min./max.	Gas min./max.	Electric min./max.
8' 3" - 9' 8"	7' 9" - 9' 4"	8' 3" - 10' 2"	7' 9" - 9' 10"

BLOWER PERFORMANCE

SPEED LEVEL	AIRFLOW IN CFM (CUBIC FEET PER MINUTE)	SOUND LEVEL (IN SONES)
1	180	1.6
2	300	3.5
3	470	6.5
4	600	8.7

SALICE ACCESSORIES

MODEL NUMBER	DESCRIPTION	SHIPPING WEIGHT
EXXRCK04	Recirculating Kit	6.6 lbs
EXXGFKMH	Stainless Steel Micro Hole Filter - One	5.5 lbs

  **ELECTRICAL:**
AC Input: 120V - 60Hz, AC Power Max.: 490W at 4.1 Amps